



US00D971533S

(12) **United States Design Patent** (10) **Patent No.:** **US D971,533 S**
Thompson et al. (45) **Date of Patent:** **** Nov. 29, 2022**

- (54) **VACUUM CLEANER**
- (71) Applicant: **Black & Decker, Inc.**, New Britain, CT (US)
- (72) Inventors: **Samuel P. Thompson**, Newcastle upon Tyne (GB); **James Standaloft**, Gateshead (GB); **Graeme Crawley**, Tynemouth (GB); **Martin Harnett**, Stockton on Tees (GB)
- (73) Assignee: **Black & Decker, Inc.**, New Britain, CT (US)
- (**) Term: **15 Years**
- (21) Appl. No.: **29/775,345**
- (22) Filed: **Mar. 23, 2021**
- (51) **LOC (13) Cl.** **15-05**
- (52) **U.S. Cl.**
USPC **D32/18**
- (58) **Field of Classification Search**
USPC D32/15, 17-24, 31-34
CPC A47L 5/24; A47L 7/0076; A47L 11/04;
A47L 11/22; A47L 5/28; A47L 9/106;
A47L 11/30; A47L 11/4005; B04C 5/185;
E04H 4/1636
See application file for complete search history.

(56) **References Cited**

U.S. PATENT DOCUMENTS

- 4,542,557 A * 9/1985 Levine A47L 5/24
15/353
- 10,447,048 B2 * 10/2019 Petzold H02J 7/00
- D911,641 S * 2/2021 Hu D32/18
- D923,888 S * 6/2021 Liu D32/21
- D925,847 S * 7/2021 Xia D32/18
- D937,514 S * 11/2021 Zou D32/18
- D938,675 S * 12/2021 Burgess D32/18

- 11,213,177 B2 * 1/2022 Tonderys A47L 9/322
- D945,094 S * 3/2022 Jeon D32/18
- D948,817 S * 4/2022 Zou D32/22
- 2021/0177221 A1 * 6/2021 Bosses A47L 9/0018
- 2022/0031131 A1 * 2/2022 McClay A47L 9/2873
- 2022/0031134 A1 * 2/2022 Yang A47L 9/106

FOREIGN PATENT DOCUMENTS

- GB 6197353 * 3/2022

OTHER PUBLICATIONS

15 Best Handheld Vacuums 2022 (on-line), updated Oct. 27, 2021. Retrieved from Internet Apr. 15, 2022, URL: <https://nymag.com/strategist/article/best-handheld-vacuums.html> (3 pages) (Year: 2021).*

Dustbuster AdvancedClean Slim Cordless Handheld Vacuum (on-line), no date available. Retrieved from Internet Apr. 15, 2022, URL: <https://www.blackanddecker.com/product/hlvc315j10/dustbusteradvancedclean-slim-cordless-handheld-vacuum> (2 pages).*

* cited by examiner

Primary Examiner — Kimberly Barnes

(74) *Attorney, Agent, or Firm* — John Yun

(57) **CLAIM**

The ornamental design for a vacuum cleaner, as shown and described.

DESCRIPTION

FIG. 1 is an enlarged front view of a vacuum cleaner showing our new design.
 FIG. 2 is a top view thereof;
 FIG. 3 is a left side view thereof;
 FIG. 4 is a perspective view thereof;
 FIG. 5 is a rear view thereof;
 FIG. 6 is a bottom view thereof; and,
 FIG. 7 is a right side view thereof.

1 Claim, 7 Drawing Sheets

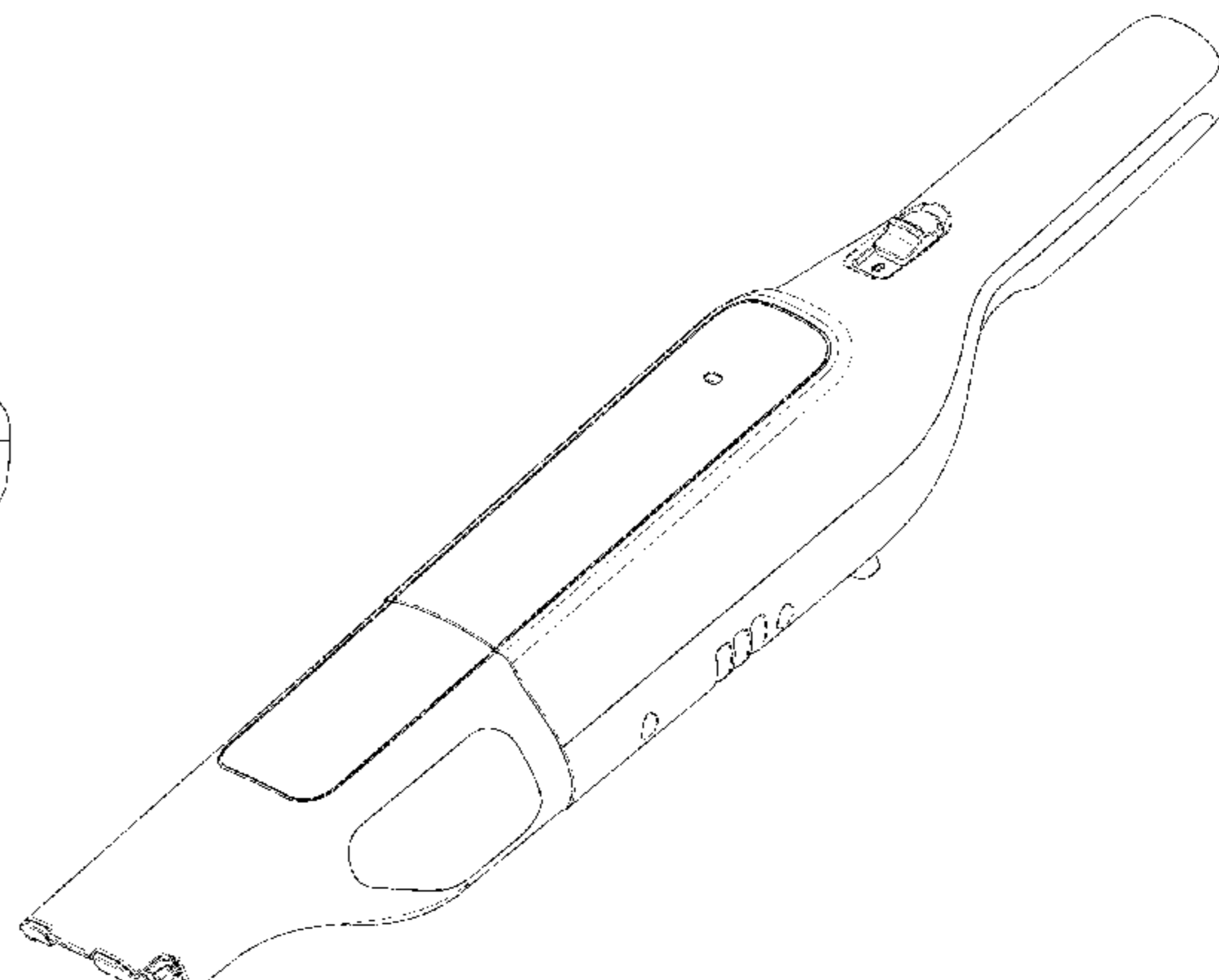
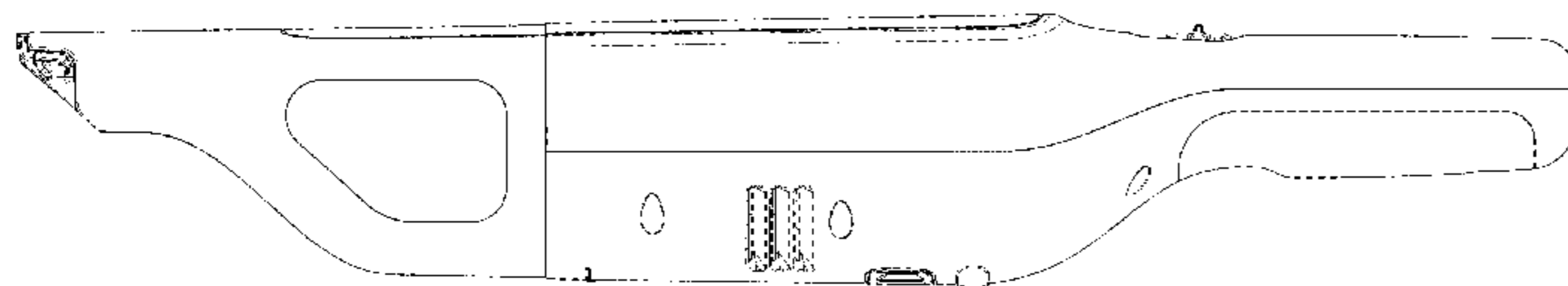


FIG. 1

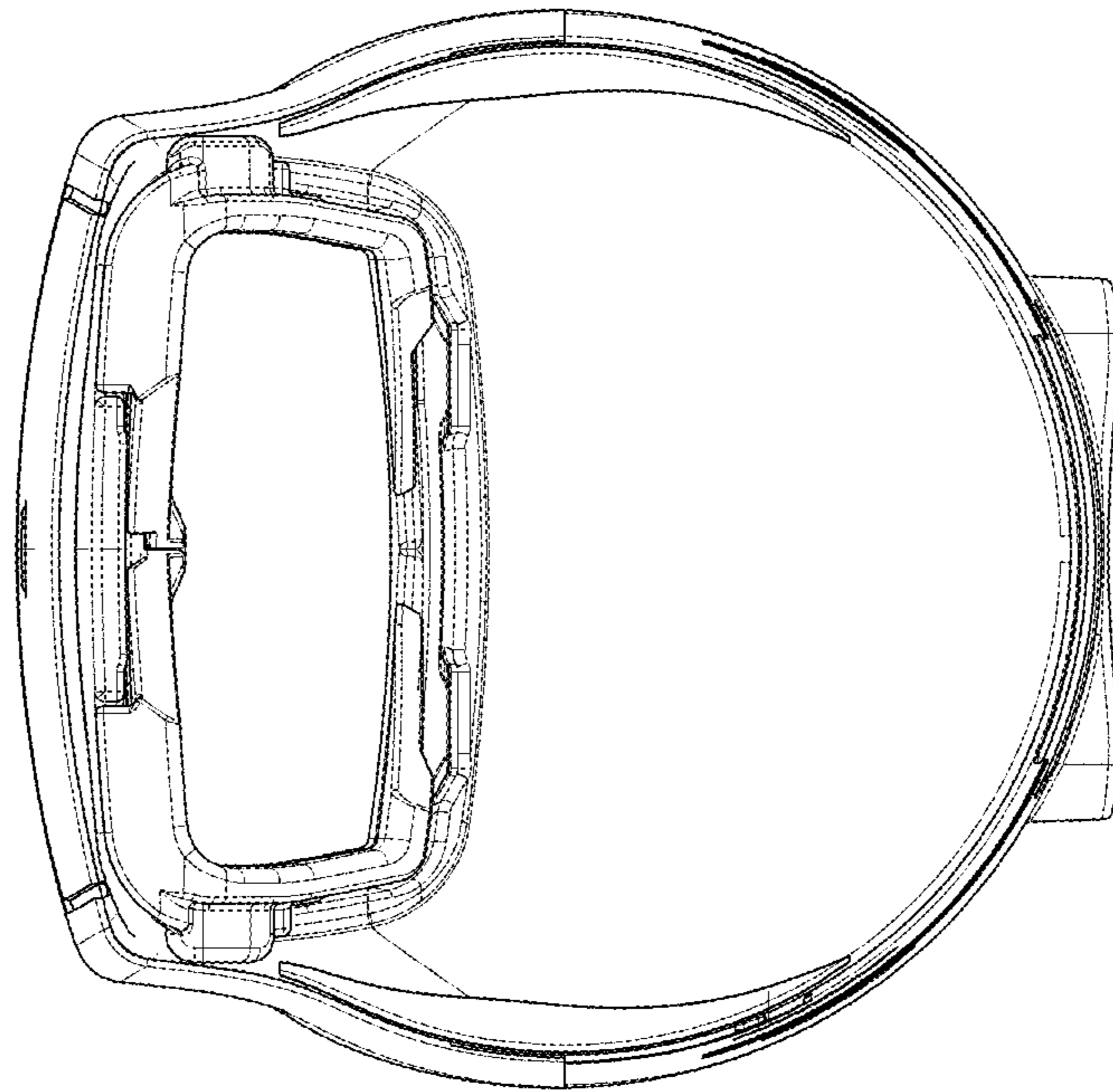


FIG. 2

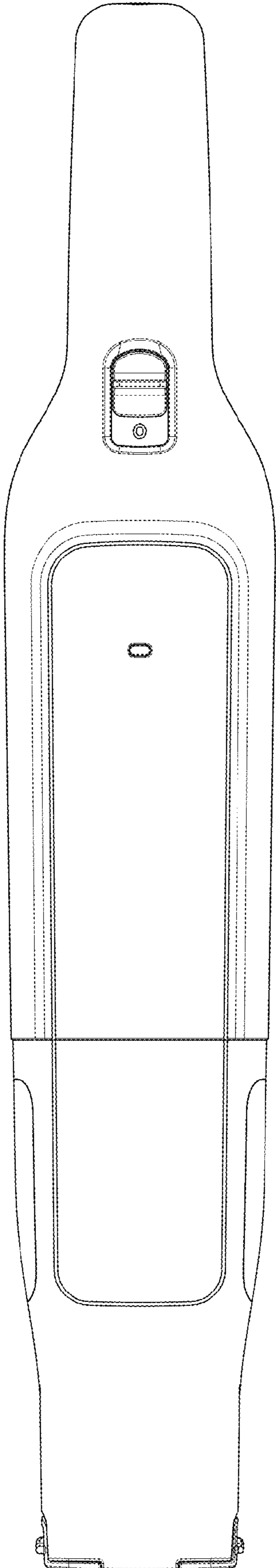
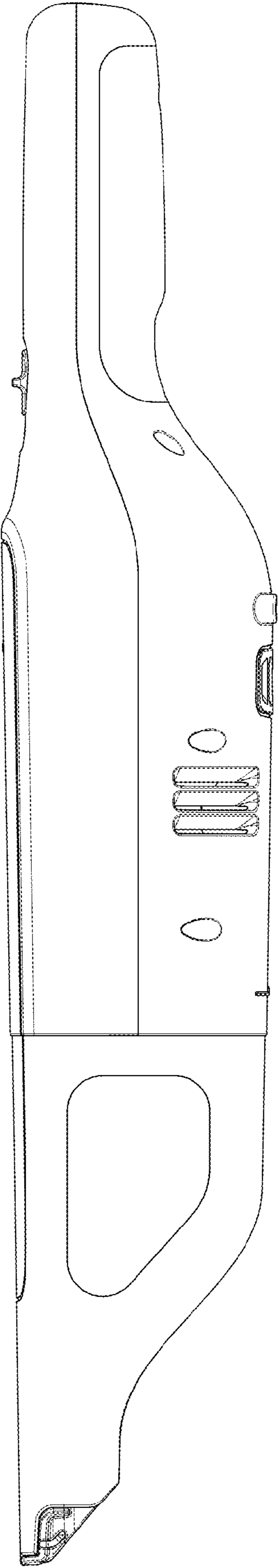


FIG. 3



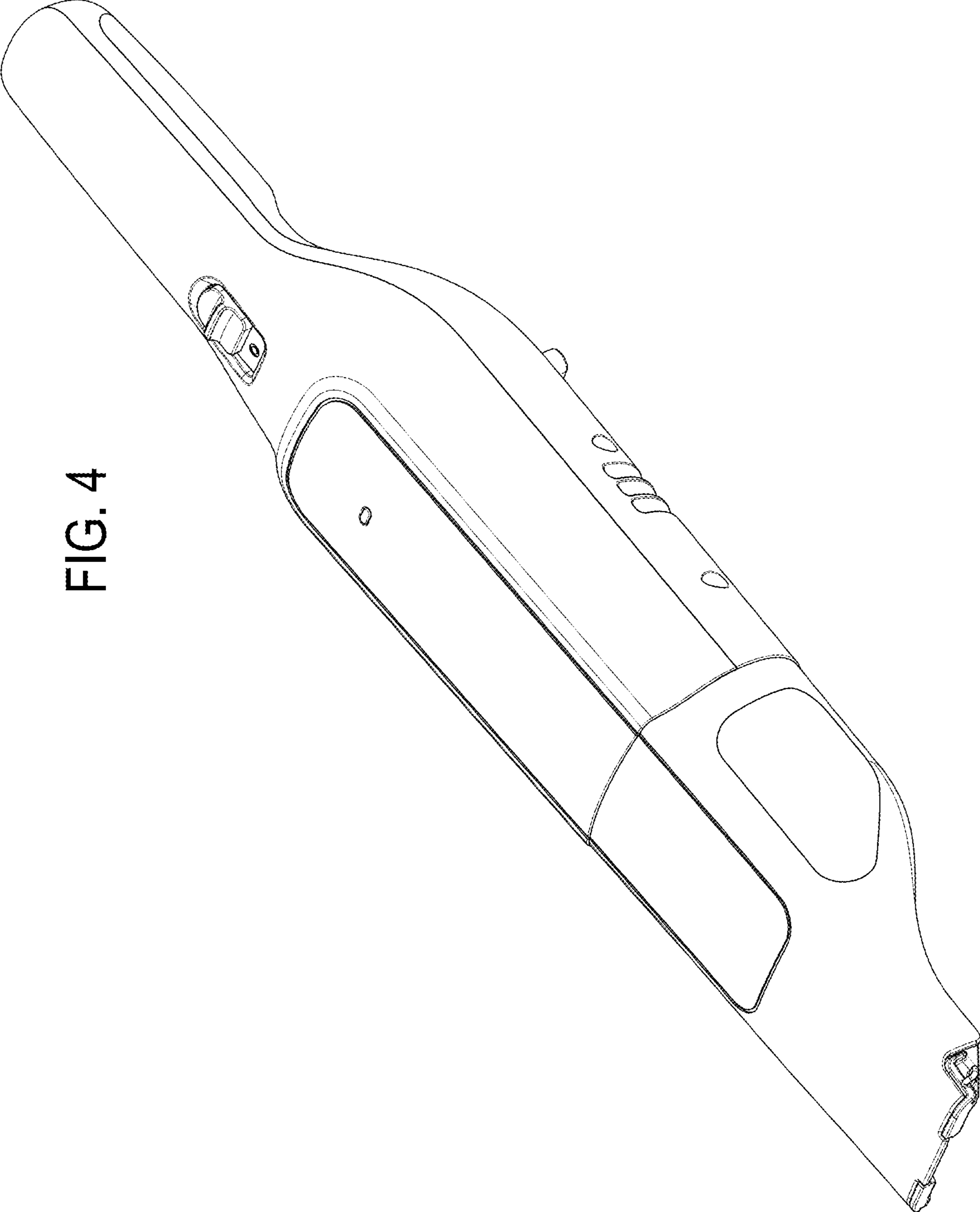


FIG. 4

FIG. 5

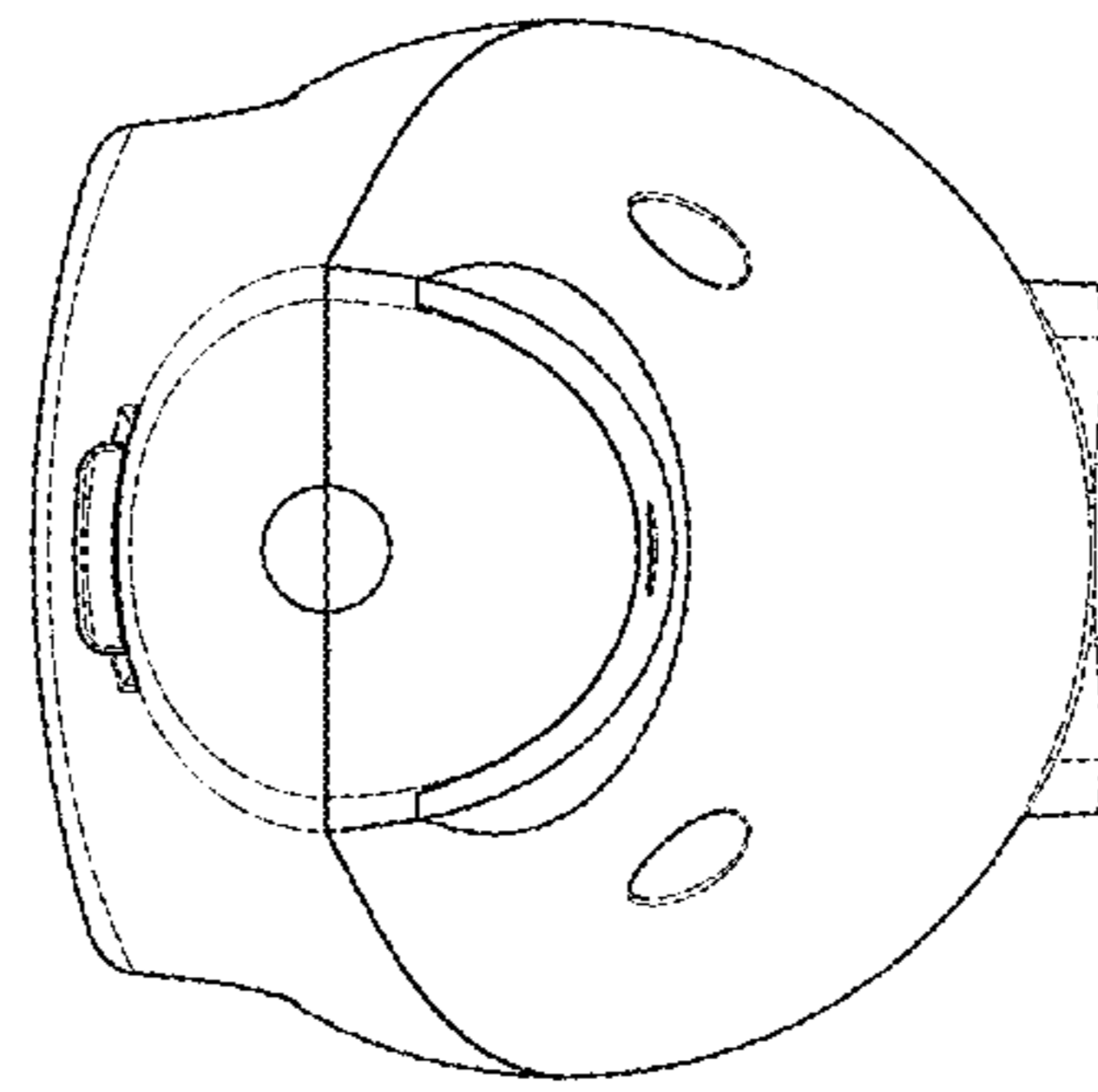


FIG. 6

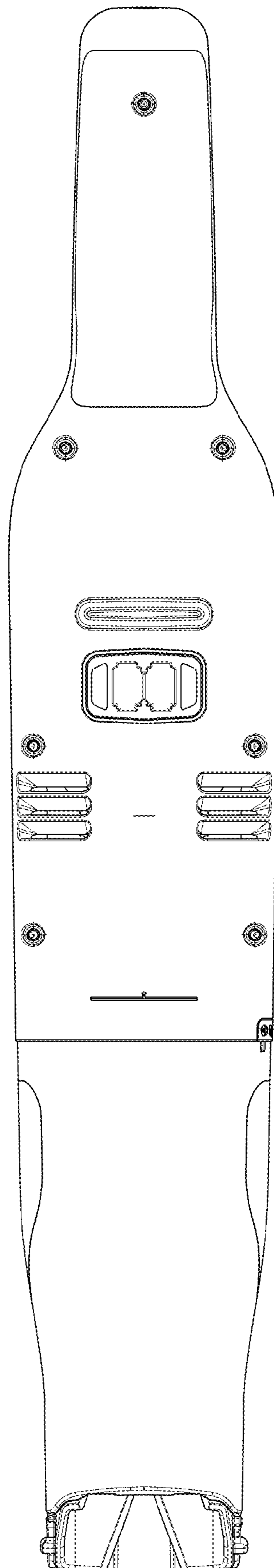


FIG. 7

