



US00D971532S

(12) **United States Design Patent** (10) **Patent No.:** **US D971,532 S**
McConnell et al. (45) **Date of Patent:** **** Nov. 29, 2022**

(54) **DISHWASHER**

OTHER PUBLICATIONS

(71) Applicant: **WHIRLPOOL CORPORATION**,
Benton Harbor, MI (US)

Dishwasher with window, available in www.moreinspiration.com,
announced Sep. 14, 2006 [online], [site visited Mar. 23, 2022],
Internet URL: <http://www.moreinspiration.com/article/450/dishwasher-with-window> (Year: 2006).*

(72) Inventors: **Jessica R. McConnell**, St. Joseph, MI
(US); **Kelly E. Roche**, Benton Harbor,
MI (US)

(Continued)

(73) Assignee: **Whirlpool Corporation**, Benton
Harbor, MI (US)

Primary Examiner — Amy C Wierenga
Assistant Examiner — Jennylou M Binas

(**) Term: **15 Years**

(74) *Attorney, Agent, or Firm* — Price Heneveld LLP

(21) Appl. No.: **29/699,628**

(57) **CLAIM**

(22) Filed: **Jul. 26, 2019**

The ornamental design for a dishwasher, as shown and
described.

Related U.S. Application Data

DESCRIPTION

(63) Continuation of application No. 29/512,190, filed on
Dec. 17, 2014, now Pat. No. Des. 862,816.

(51) **LOC (13) Cl.** **15-05**

(52) **U.S. Cl.**
USPC **D32/2**

(58) **Field of Classification Search**
USPC D32/1, 15, 16, 2, 3, 5, 6, 8, 25; D7/332,
D7/334–335, 402, 339–340, 347–349,
(Continued)

The file of this patent contains at least one drawing/photo-
graph executed in color. Copies of this patent with color
drawing(s)/photograph(s) will be provided by the Office
upon request and payment of the necessary fee.

FIG. 1 is a front perspective view of a dishwasher according
to the design;

FIG. 2 is a front view thereof;

FIG. 3 is a right view thereof;

FIG. 4 is a left view thereof;

FIG. 5 is a top view thereof; and,

FIG. 6 is a bottom view thereof, a back view showing no
claimed portion of the article.

Broken lines show portions of the article that form no part
of the claimed design.

The diagonal shading using straight lines indicates a trans-
parent material.

(56) **References Cited**

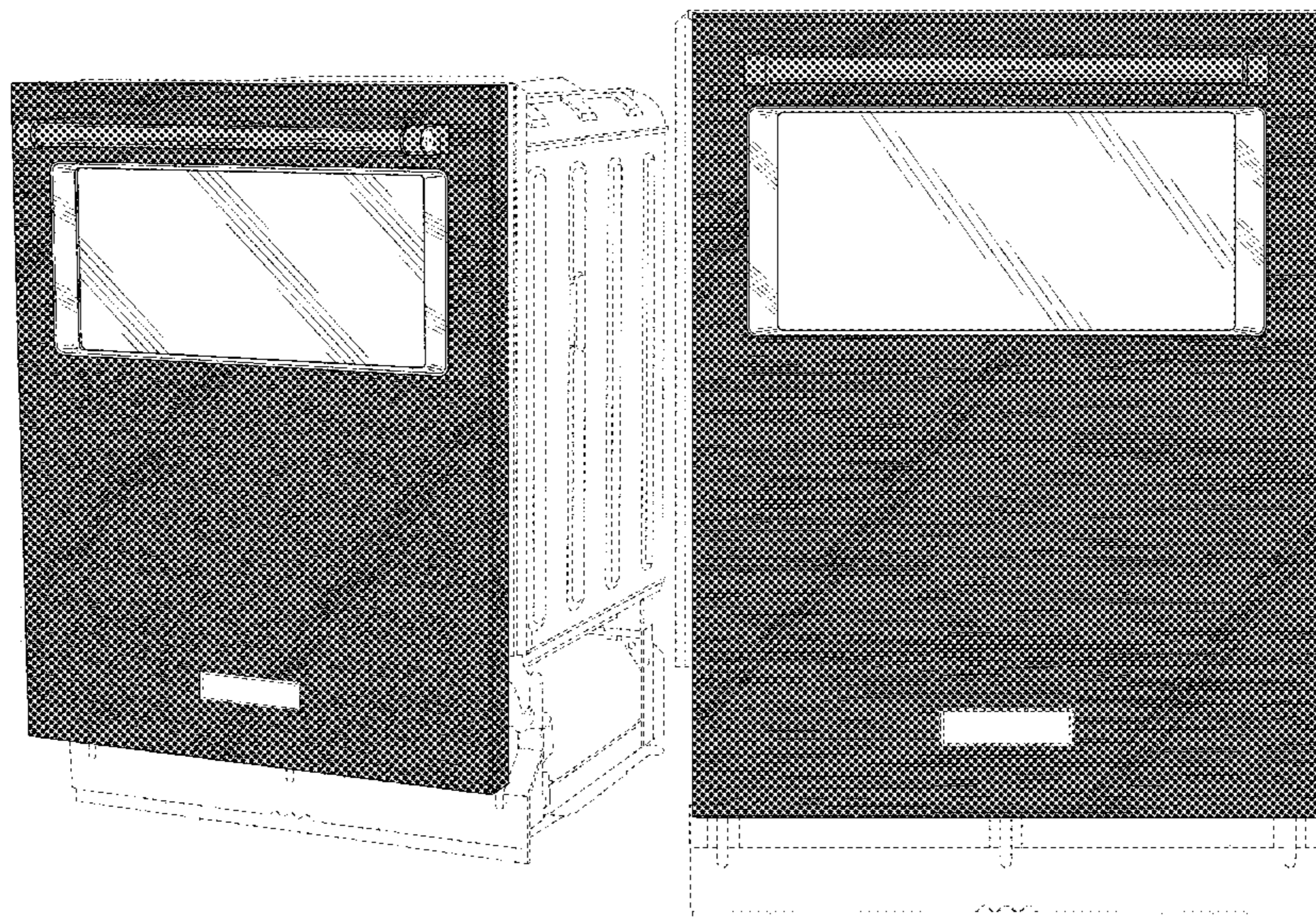
U.S. PATENT DOCUMENTS

2,121,680 A 6/1938 Arvin
D193,698 S * 9/1962 Hawk D8/316
(Continued)

FOREIGN PATENT DOCUMENTS

CN 304940220 * 12/2018
CN 304968286 * 12/2018
(Continued)

1 Claim, 6 Drawing Sheets
(6 of 6 Drawing Sheet(s) Filed in Color)



(58) **Field of Classification Search**

USPC D7/350.1; D15/2, 5, 81, 83–84, 91;
 D21/525–526; D23/225, 372, 499
 CPC .. A47L 15/00; A47L 15/0002; A47L 15/0076;
 A47L 15/0086; A47L 15/0092; A47L
 15/0094; A47L 15/0097; A47L 15/02;
 A47L 15/4265; A47L 2401/04; A47L
 2501/00; F21V 33/0036; F21V 33/0044
 See application file for complete search history.

D834,264 S * 11/2018 Lee A47L 15/00
 D32/3
 D838,133 S * 1/2019 Fuller D7/339
 D860,551 S * 9/2019 Fuller D32/2
 D861,261 S * 9/2019 Tong D32/2
 D862,816 S * 10/2019 McConnell D32/2
 D865,008 S * 10/2019 Fuller D15/86
 10,499,788 B2 * 12/2019 Borgerson A47L 15/4225
 D892,534 S * 8/2020 Fuller D7/339
 2005/0154118 A1 7/2005 Hayes et al.
 2010/0021726 A1 1/2010 Jo et al.
 2012/0070651 A1 3/2012 Morishita et al.

(56) **References Cited**

U.S. PATENT DOCUMENTS

D334,315 S * 3/1993 Bengtson D23/304
 5,387,473 A 2/1995 Yoshimi et al.
 D377,853 S * 2/1997 Sparks D32/3
 5,620,801 A 4/1997 Binns et al.
 D472,023 S * 3/2003 Jones D32/3
 D473,980 S * 4/2003 Bowser D32/3
 D493,580 S * 7/2004 Ott D32/3
 D493,923 S * 8/2004 Ott D32/3
 D495,102 S * 8/2004 Kaczmarek D32/3
 D511,403 S * 11/2005 Ott D32/3
 D512,544 S * 12/2005 Jeong D32/3
 D515,255 S * 2/2006 Jeong D32/3
 D516,758 S * 3/2006 Kirk D32/3
 D517,252 S * 3/2006 Kirk D32/3
 D521,195 S * 5/2006 Park D32/2
 D540,497 S * 4/2007 Song D32/2
 D543,321 S * 5/2007 Jeon D32/2
 7,279,218 B2 10/2007 Watase et al.
 D562,361 S * 2/2008 Kwak D15/89
 D571,062 S * 6/2008 Suh D32/2
 D572,109 S * 7/2008 Busalt D8/316
 D572,110 S * 7/2008 Busalt D8/316
 D603,055 S * 10/2009 Ray D25/48.7
 D610,173 S * 2/2010 Kim D15/89
 D612,677 S * 3/2010 Jeon D8/316
 D622,914 S * 8/2010 Crookshanks D32/3
 D672,101 S * 12/2012 Eng D32/3
 D681,290 S * 4/2013 Eng D32/3
 8,663,793 B2 3/2014 Jo et al.
 D702,897 S * 4/2014 Eng D32/3
 8,715,837 B2 5/2014 Tada et al.
 D732,249 S * 6/2015 Roberson D32/3
 D736,027 S * 8/2015 Funnell, II D7/339
 D742,688 S * 11/2015 Funnell, II D7/405
 D745,362 S * 12/2015 Grasselli D8/315
 D746,003 S * 12/2015 Shin D32/2
 D762,334 S * 7/2016 Kim D32/3
 D765,321 S * 8/2016 Fuller D32/3
 D770,839 S * 11/2016 Shoemaker D7/348
 D773,880 S * 12/2016 McConnell D7/339
 D777,502 S * 1/2017 Fuller D7/339
 D791,418 S * 7/2017 Warren D32/3
 D797,819 S * 9/2017 Fuller D15/85
 D798,509 S * 9/2017 Fuller D32/3
 D802,230 S * 11/2017 Shoemaker D32/2
 9,888,828 B2 * 2/2018 Lagness A47L 15/4261
 D827,220 S * 8/2018 Kim D32/2
 D829,482 S * 10/2018 Incukur D7/346

FOREIGN PATENT DOCUMENTS

CN 305017887 * 1/2019
 GB 999061 A 7/1965
 GB 1016077 A 1/1966
 GB 1105140 A 3/1968
 WO D204406-001 * 12/2019

OTHER PUBLICATIONS

Farberware Professional 21.8-in Portable Dishwasher, available in www.lowes.com, customer review oldest date Feb. 19, 2021 [online], [site visited Mar. 22, 2022], Available from the internet URL: <https://www.lowes.com/pd/Farberware-19-7-in-0-Decibel-Portable-Dishwasher-White-ENERGY-STAR/5001062785> (Year: 2021).*

Kitchenaid Dishwasher with Window and Lighted Interior in Action, announced in YouTube on Jan. 31, 2016 [online], [site visited Mar. 23, 2022], Available from the internet URL: Kitchenaid Dishwasher with Window and Lighted Interior in Action (Year: 2016).*

Picture Window Dishwasher, announced in YouTube on Feb. 14, 2014 [online], [site visited Mar. 23, 2022], Available from the internet URL: Picture Window Dishwasher (Year: 2014).*

Black+Decker BCD6W Compact Countertop Dishwasher, available in www.amazon.com, date first available Nov. 2, 2017 [online], [site visited Mar. 23, 2022], Available from the internet URL: <https://www.amazon.com/BLACK-DECKER-BCD6W-Dishwasher-Settings/dp/B0773QXFH3> (Year: 2017).*

Introducing the Picture Window Lady Kenmore Roto-Rack, available in www.automaticdishwasher.org, announced Aug. 28, 2011 [online], [site visited Mar. 23, 2022], Internet URL: <https://www.automaticwasher.org/cgi-bin/TD/TD-VIEWTHREAD.cgi?36251> (Year: 2011).*

Kenmore Elite Dishwasher, available in www.searshometownstores.com, announced Year 2022 [online], [site visited Mar. 23, 2022], Internet URL: <https://www.searshometownstores.com/product/Kenmore-Elite-14823-24-Built-in-Dishwasher-with-Observation-Window-Stainless-Steel> (Year: 2022).*

Monogram Stainless Steel Built-in Dishwasher, available in www.appliancesconnection.com, customer review oldest date Feb. 1, 2020 [online], [site visited Mar. 23, 2022], Available from the internet URL: <https://www.appliancesconnection.com/monogram-zdt925spnss.html> (Year: 2020).*

10 Best Dishwashers of 2022, Tested by Cleaning Experts, available in www.goodhousekeeping.com, announced Dec. 16, 2021 [online], [site visited Mar. 23, 2022], Internet URL: <https://www.goodhousekeeping.com/appliances/dishwasher-reviews/g1513/best-dishwasher-reviews/> (Year: 2021).*

* cited by examiner

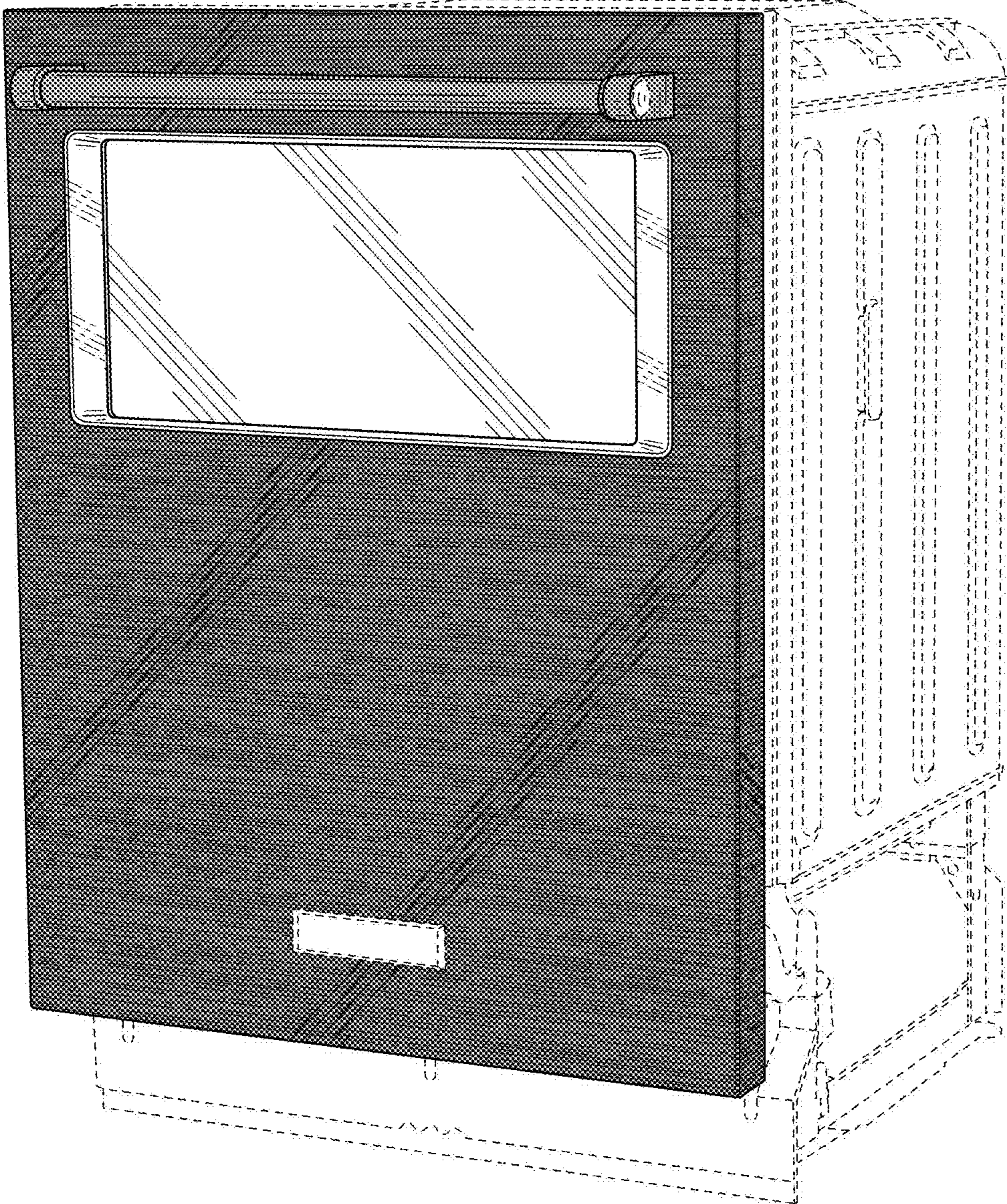


FIG. 1

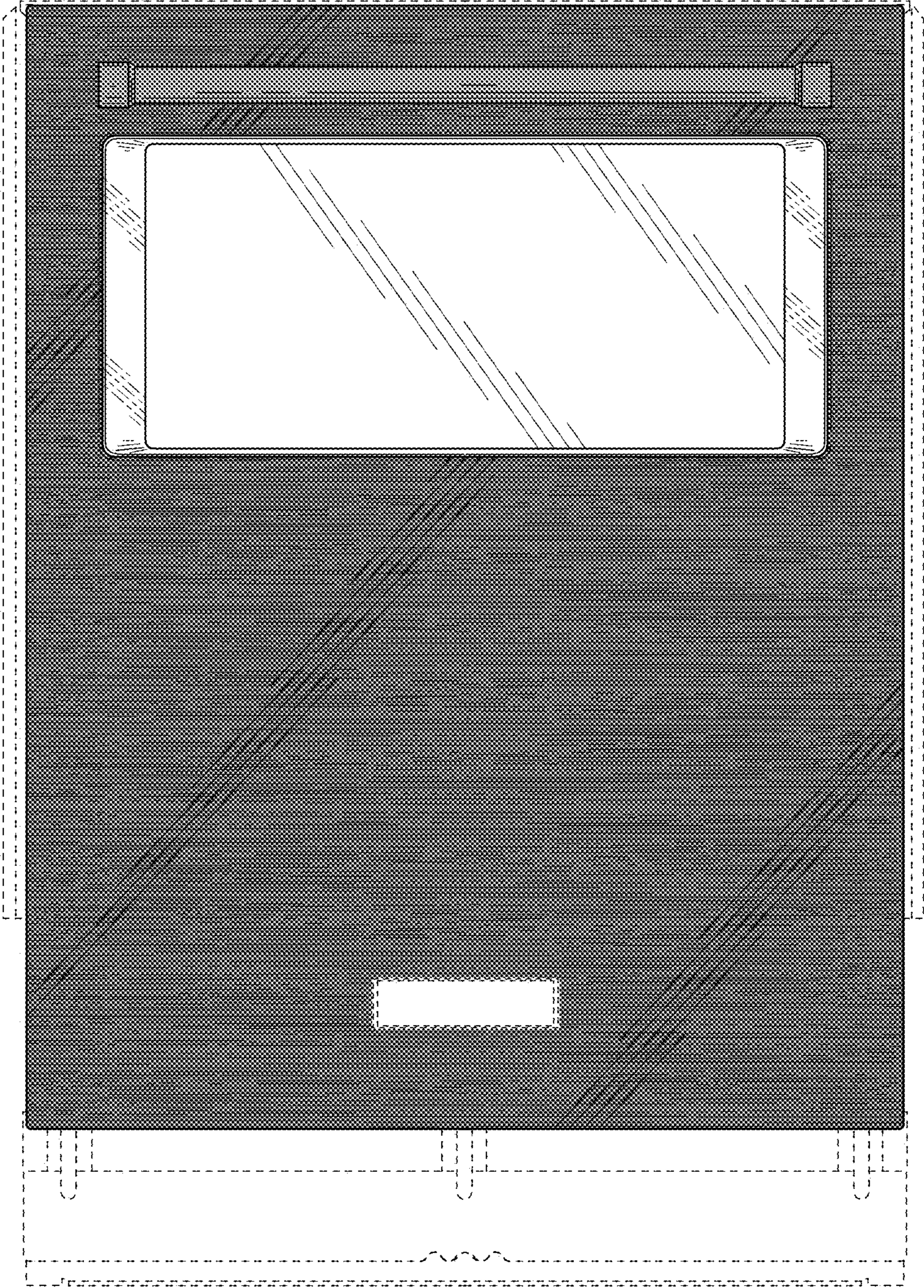


FIG. 2

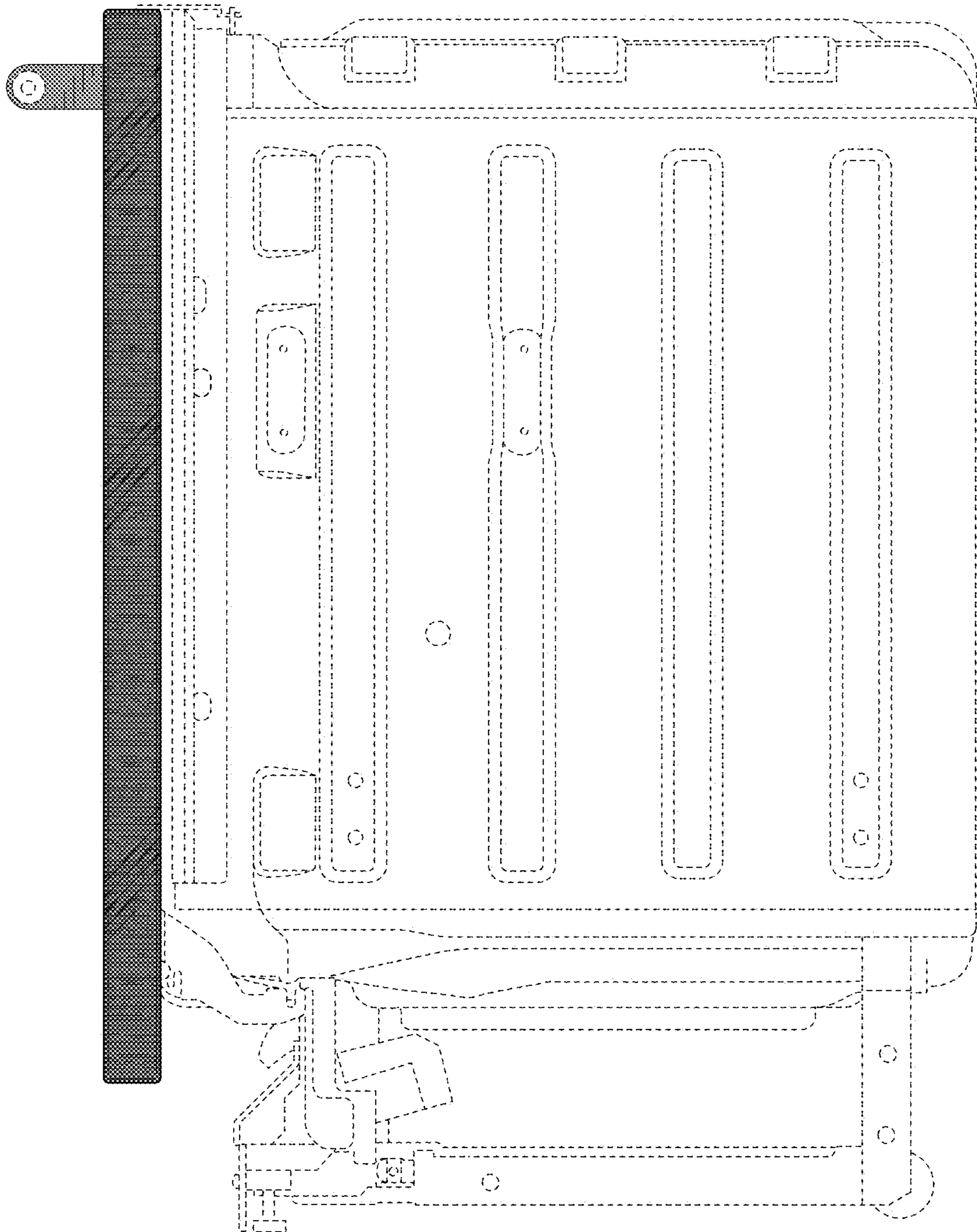


FIG. 3

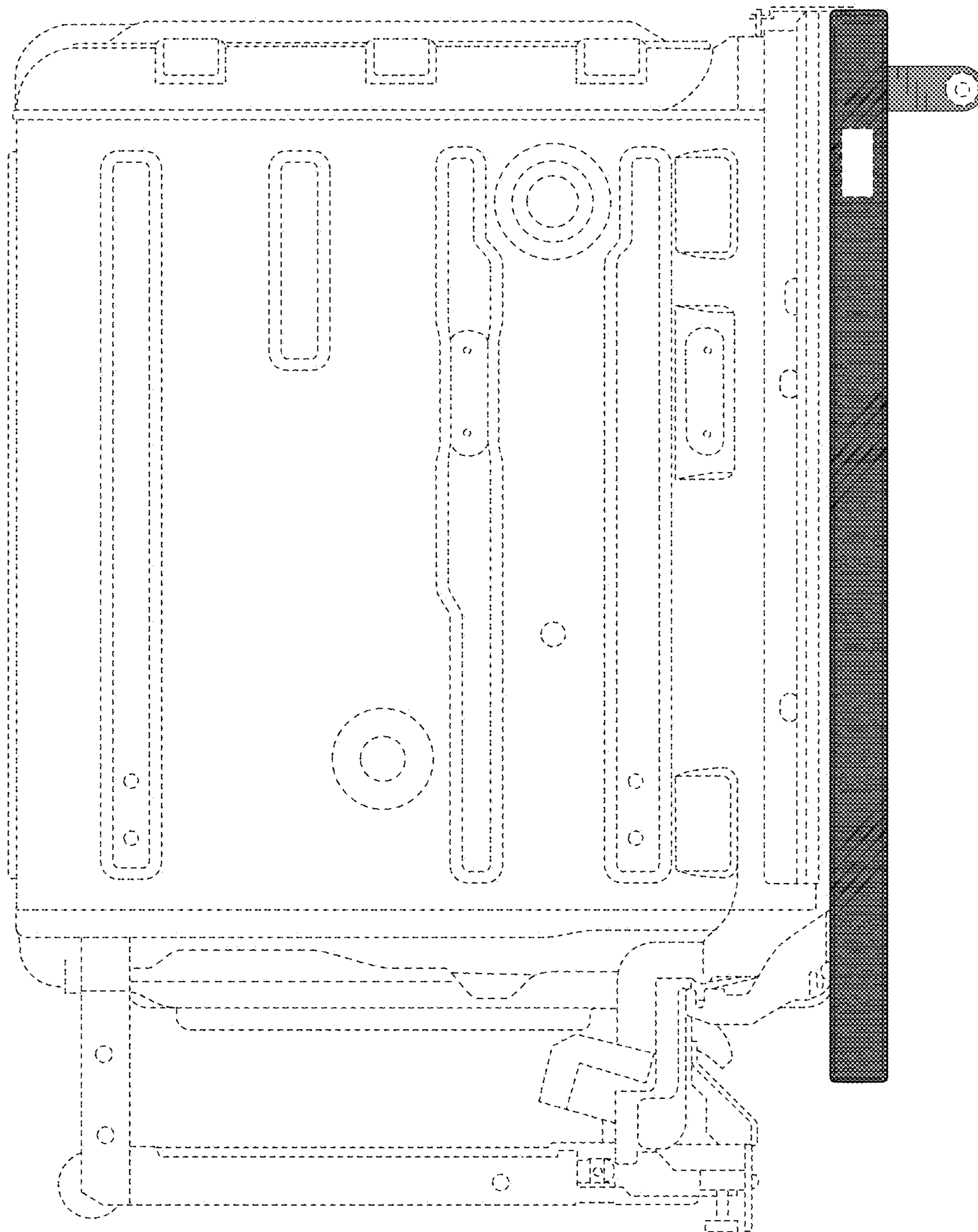


FIG. 4

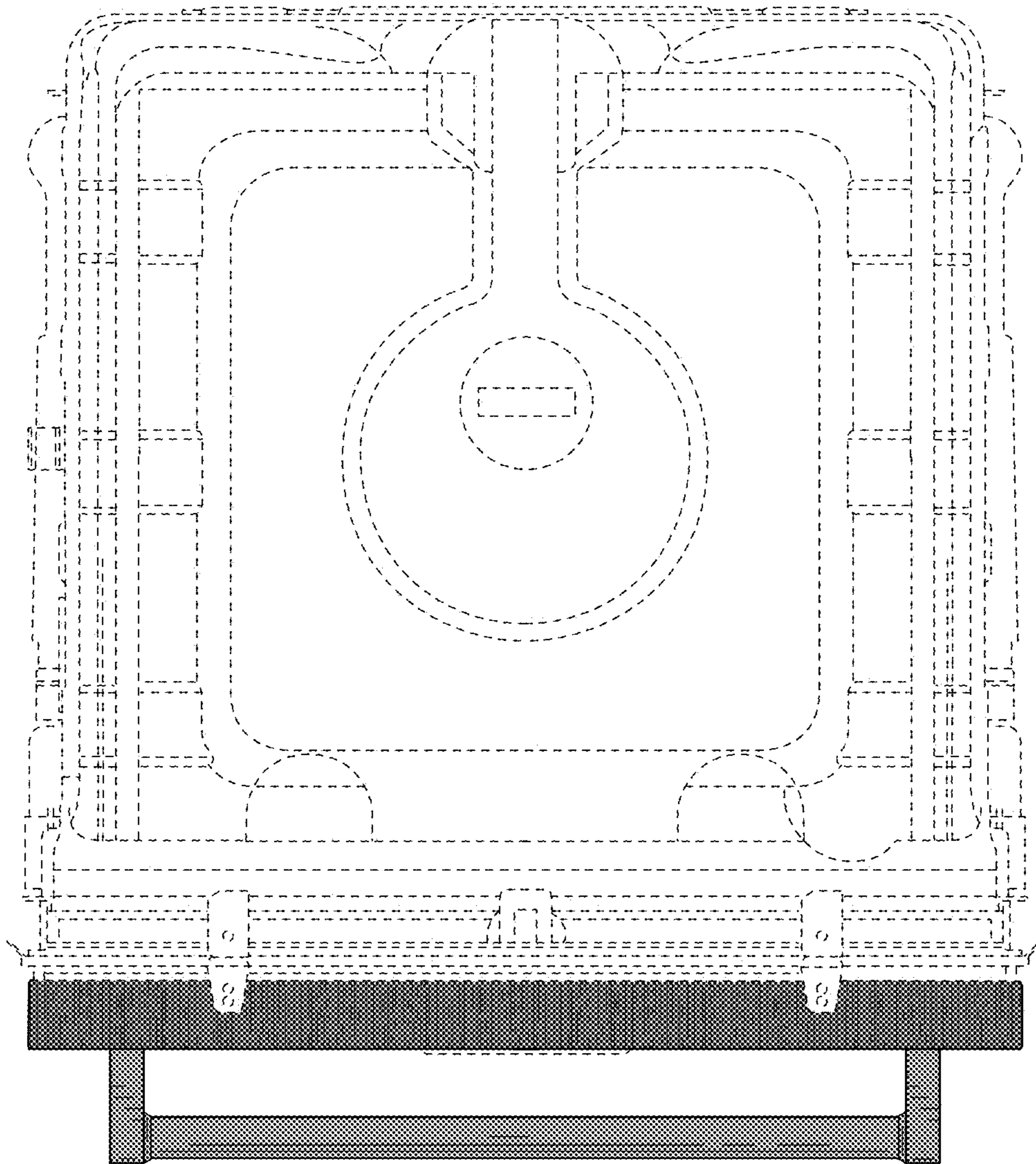


FIG. 5

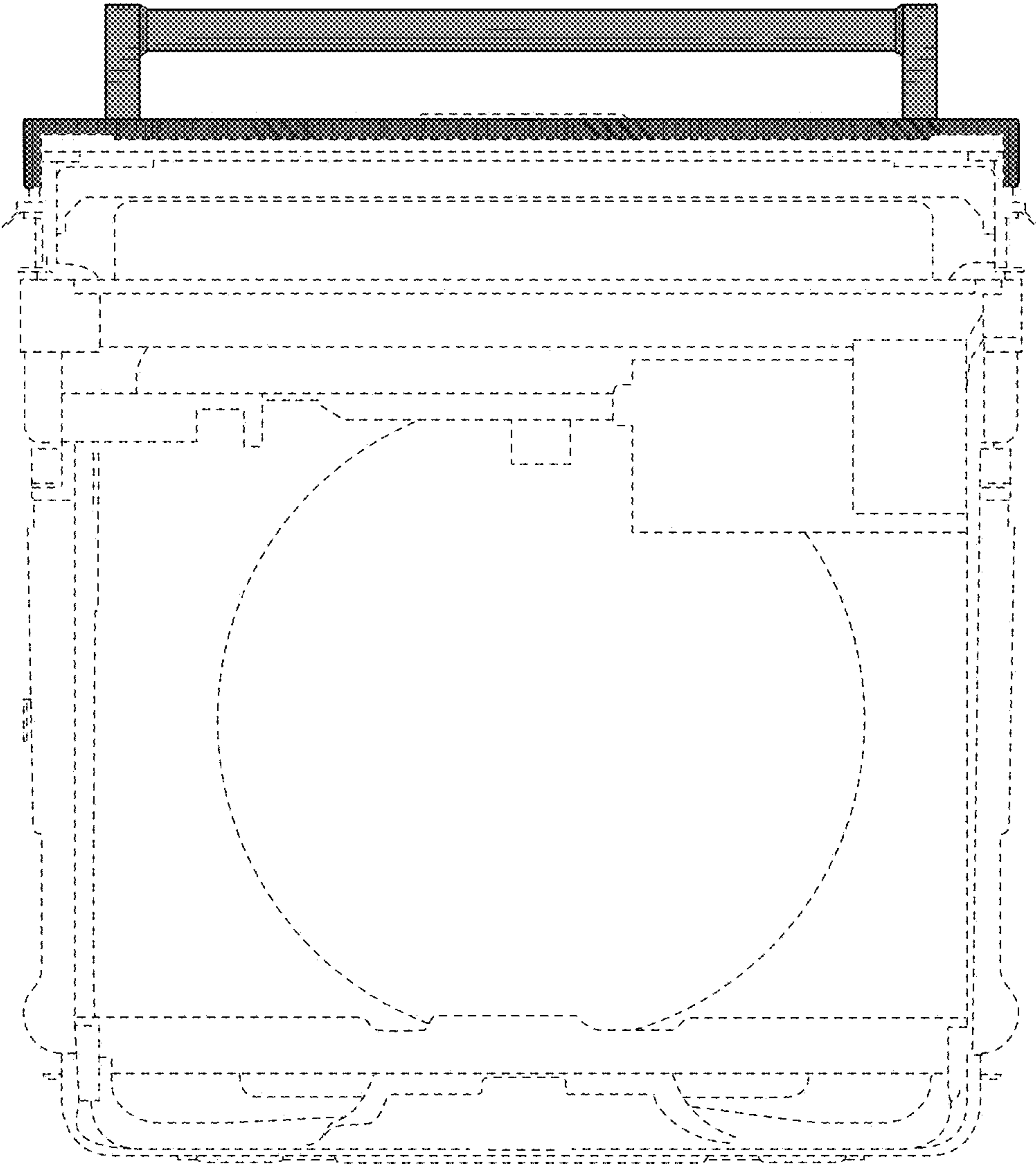


FIG. 6