



US00D971531S

(12) **United States Design Patent** (10) **Patent No.:** **US D971,531 S**
McConnell et al. (45) **Date of Patent:** **** Nov. 29, 2022**

(54) **DISHWASHER**

- (71) Applicant: **WHIRLPOOL CORPORATION**,
Benton Harbor, MI (US)
- (72) Inventors: **Jessica R. McConnell**, St. Joseph, MI
(US); **Kelly E. Roche**, Benton Harbor,
MI (US)
- (73) Assignee: **Whirlpool Corporation**, Benton
Harbor, MI (US)
- (**) Term: **15 Years**

- (21) Appl. No.: **29/699,627**
- (22) Filed: **Jul. 26, 2019**

Related U.S. Application Data

- (63) Continuation of application No. 29/512,190, filed on
Dec. 17, 2014, now Pat. No. Des. 862,816.
- (51) **LOC (13) Cl.** **15-05**
- (52) **U.S. Cl.**
USPC **D32/2**
- (58) **Field of Classification Search**
USPC D32/1, 15, 16, 2, 3, 5, 6, 8, 25; D7/332,
D7/334-335, 402, 339-340, 347-349,
(Continued)

(56) **References Cited**

U.S. PATENT DOCUMENTS

- 2,121,680 A 6/1938 Arvin
 - 5,387,473 A 2/1995 Yoshimi et al.
- (Continued)

FOREIGN PATENT DOCUMENTS

- CN 304940220 * 12/2018
 - CN 304968286 * 12/2018
- (Continued)

OTHER PUBLICATIONS

Dishwasher with window, available in www.moreinspiration.com,
announced Sep. 14, 2006 [online], [site visited Mar. 23, 2022],
Internet URL: <http://www.moreinspiration.com/article/450/dishwasher-with-window> (Year: 2006).*

(Continued)

Primary Examiner — Amy C Wierenga
Assistant Examiner — Jennylou M Binas

(74) *Attorney, Agent, or Firm* — Price Heneveld LLP

(57) **CLAIM**

The ornamental design for a dishwasher, as shown and
described.

DESCRIPTION

The file of this patent contains at least one drawing/photo-
graph executed in color. Copies of this patent with color
drawing(s)/photograph(s) will be provided by the Office
upon request and payment of the necessary fee.

FIG. 1 is a front perspective view of a dishwasher according
to the design;

FIG. 2 is a front view thereof;

FIG. 3 is a right view thereof;

FIG. 4 is a left view thereof;

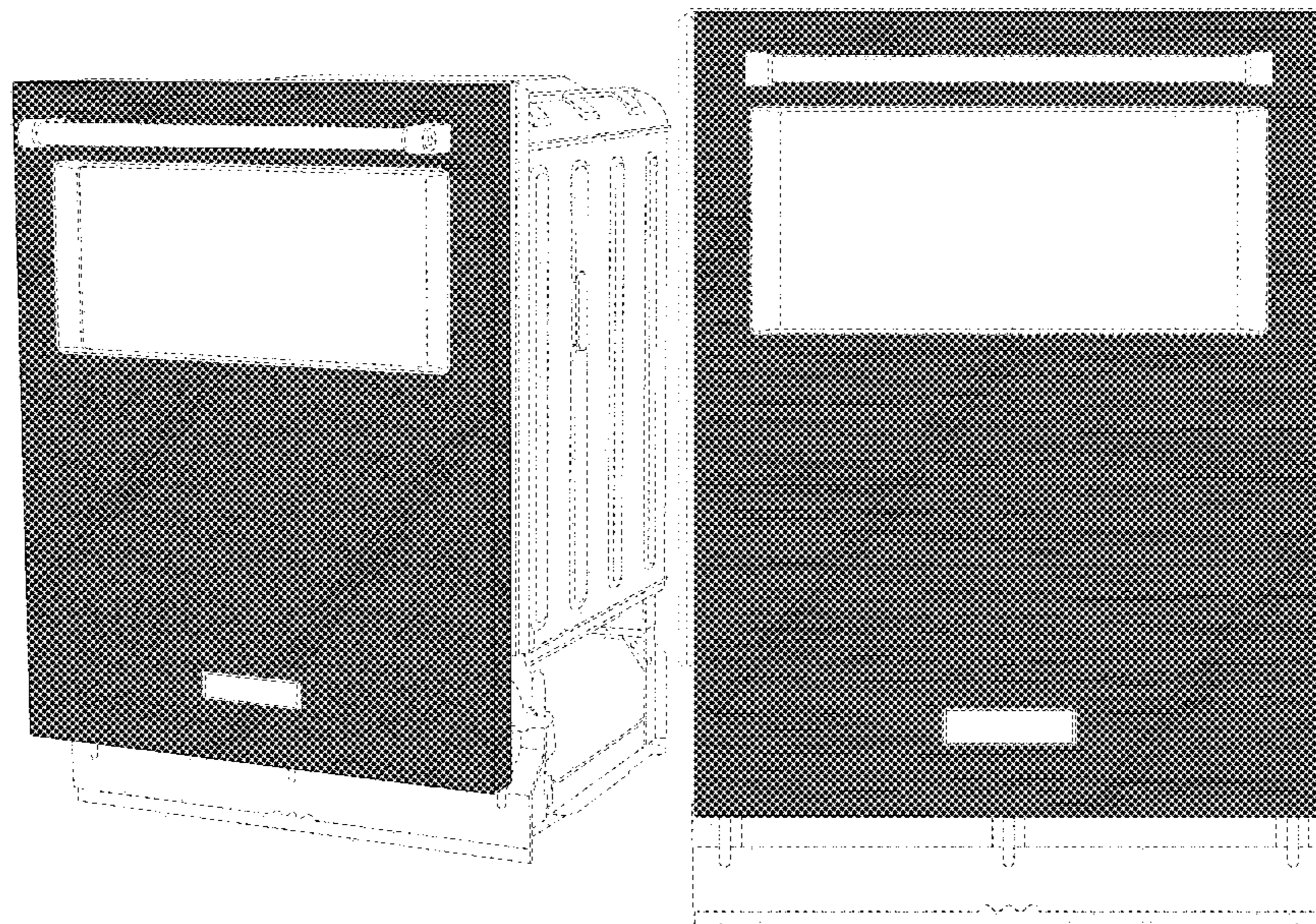
FIG. 5 is a top view thereof; and,

FIG. 6 is a bottom view thereof, a back view showing no
claimed portion of the dishwasher.

Broken lines show portions of the article that form no part
of the claimed design.

The diagonal shading using straight lines indicates a trans-
parent material such that the texture represented by the
texture shading is visible through the transparent material
thereover.

1 Claim, 6 Drawing Sheets
(6 of 6 Drawing Sheet(s) Filed in Color)



(58) **Field of Classification Search**

USPC D7/350.1; D15/2, 5, 81, 83–84, 91;
 D21/525–526; D23/225, 372, 499
 CPC .. A47L 15/00; A47L 15/0002; A47L 15/0076;
 A47L 15/0086; A47L 15/0092; A47L
 15/0094; A47L 15/0097; A47L 15/02;
 A47L 15/4265; A47L 2401/04; A47L
 2501/00; F21V 33/0036; F21V 33/0044
 See application file for complete search history.

(56) **References Cited**

U.S. PATENT DOCUMENTS

D377,853	S	*	2/1997	Sparks	D32/3
5,620,801	A		4/1997	Binns et al.		
D472,023	S	*	3/2003	Jones	D32/3
D473,980	S	*	4/2003	Bowser	D32/3
D493,580	S	*	7/2004	Ott	D32/3
D493,581	S	*	7/2004	Ott	D32/3
D493,582	S	*	7/2004	Ott	D32/3
D493,923	S	*	8/2004	Ott	D32/3
D495,102	S	*	8/2004	Kaczmarek	D32/3
D495,104	S	*	8/2004	Kaczmarek	D32/3
D501,963	S	*	2/2005	Kaczmarek	D32/3
D511,031	S	*	10/2005	Ott	D32/3
D511,403	S	*	11/2005	Ott	D32/3
D512,544	S	*	12/2005	Jeong	D32/3
D515,255	S	*	2/2006	Jeong	D32/3
D516,758	S	*	3/2006	Kirk	D32/3
D517,252	S	*	3/2006	Kirk	D32/3
D519,689	S	*	4/2006	Ott	D32/3
D521,195	S	*	5/2006	Park	D32/2
D539,992	S	*	4/2007	Yamamoto	D32/2
D540,497	S	*	4/2007	Song	D32/2
D543,321	S	*	5/2007	Jeon	D32/2
7,279,218	B2		10/2007	Watase et al.		
D571,062	S	*	6/2008	Suh	D32/2
D622,914	S	*	8/2010	Crookshanks	D32/3
D622,915	S	*	8/2010	Crookshanks	D32/3
D627,938	S	*	11/2010	Kim	D32/2
D665,956	S	*	8/2012	Eng	D32/2
D672,101	S	*	12/2012	Eng	D32/3
D681,290	S	*	4/2013	Eng	D32/3
D692,628	S	*	10/2013	Eng	D32/2
8,663,793	B2		3/2014	Jo et al.		
D702,897	S	*	4/2014	Eng	D32/3
8,715,837	B2		5/2014	Tada et al.		
D706,502	S	*	6/2014	Eng	D32/3
D710,557	S	*	8/2014	Haft	D32/3
D741,031	S	*	10/2015	Roberson	D32/3
D746,003	S	*	12/2015	Shin	D32/2
D748,875	S	*	2/2016	Roberson	D32/3
D762,334	S	*	7/2016	Kim	D32/3
D765,321	S	*	8/2016	Fuller	D32/3
D770,696	S	*	11/2016	Roberson	D32/3
D773,880	S	*	12/2016	McConnell	D7/339
D777,502	S	*	1/2017	Fuller	D7/339
D791,418	S	*	7/2017	Warren	D32/3
D797,819	S	*	9/2017	Fuller	D15/85

D798,509	S	*	9/2017	Fuller	D32/3
D802,230	S	*	11/2017	Shoemaker	D32/2
9,888,828	B2	*	2/2018	Lagness	A47L 15/4261
D823,560	S	*	7/2018	Kim	D32/2
D826,487	S	*	8/2018	Choi	D32/2
D827,220	S	*	8/2018	Kim	D32/2
D827,952	S	*	9/2018	Kim	D32/3
D834,264	S	*	11/2018	Lee	A47L 15/00 D32/3
D838,133	S	*	1/2019	Fuller	D7/339
D860,551	S	*	9/2019	Fuller	D32/2
D861,261	S	*	9/2019	Tong	D32/2
D862,816	S	*	10/2019	McConnell	D32/2
D865,008	S	*	10/2019	Fuller	D15/86
10,499,788	B2	*	12/2019	Borgerson	A47L 15/4225
D892,534	S	*	8/2020	Fuller	D7/339
2005/0154118	A1		7/2005	Hayes et al.		
2010/0021726	A1		1/2010	Jo et al.		
2012/0070651	A1		3/2012	Morishita et al.		

FOREIGN PATENT DOCUMENTS

CN	305017887	*	1/2019
GB	999061 A		7/1965
GB	1016077 A		1/1966
GB	1105140 A		3/1968
WO	D204406-001	*	12/2019

OTHER PUBLICATIONS

Farberware Professional 21.8-in Portable Dishwasher, available in www.lowes.com, customer review oldest date Feb. 19, 2021 [online], [site visited Mar. 22, 2022], Available from the internet URL: <https://www.lowes.com/pd/Farberware-19-7-in-0-Decibel-Portable-Dishwasher-White-ENERGY-STAR/5001062785> (Year: 2021).*

Introducing the Picture Window Lady Kenmore Roto-Rack, available in www.automaticdishwasher.org, announced Aug. 28, 2011 [online], [site visited Mar. 23, 2022], Internet URL: <https://www.automaticwasher.org/cgi-bin/TD/TD-VIEWTHREAD.cgi?36251> (Year: 2011).*

Kenmore Elite Dishwasher, available in www.searshometownstores.com, announced Year 2022 [online], [site visited Mar. 23, 2022], Internet URL: <https://www.searshometownstores.com/product/Kenmore-Elite-14823-24-Built-in-Dishwasher-with-Observation-Window-Stainless-Steel> (Year: 2022).*

Black+Decker BCD6W Compact Countertop Dishwasher, available in www.amazon.com, date first available Nov. 2, 2017 [online], [site visited Mar. 23, 2022], Available from the internet URL: <https://www.amazon.com/BLACK-DECKER-BCD6W-Dishwasher-Settings/dp/B0773QXFH3> (Year: 2017).*

Kitchenaid Dishwasher with Window and Lighted Interior in Action, announced in YouTube on Jan. 31, 2016 [online], [site visited Mar. 23, 2022], Available from the internet URL: [Kitchenaid Dishwasher with Window and Lighted Interior in Action](https://www.youtube.com/watch?v=...) (Year: 2016).*

Picture Window Dishwasher, announced in YouTube on Feb. 14, 2014 [online], [site visited Mar. 23, 2022], Available from the internet URL: [Picture Window Dishwasher](https://www.youtube.com/watch?v=...) (Year: 2014).*

* cited by examiner

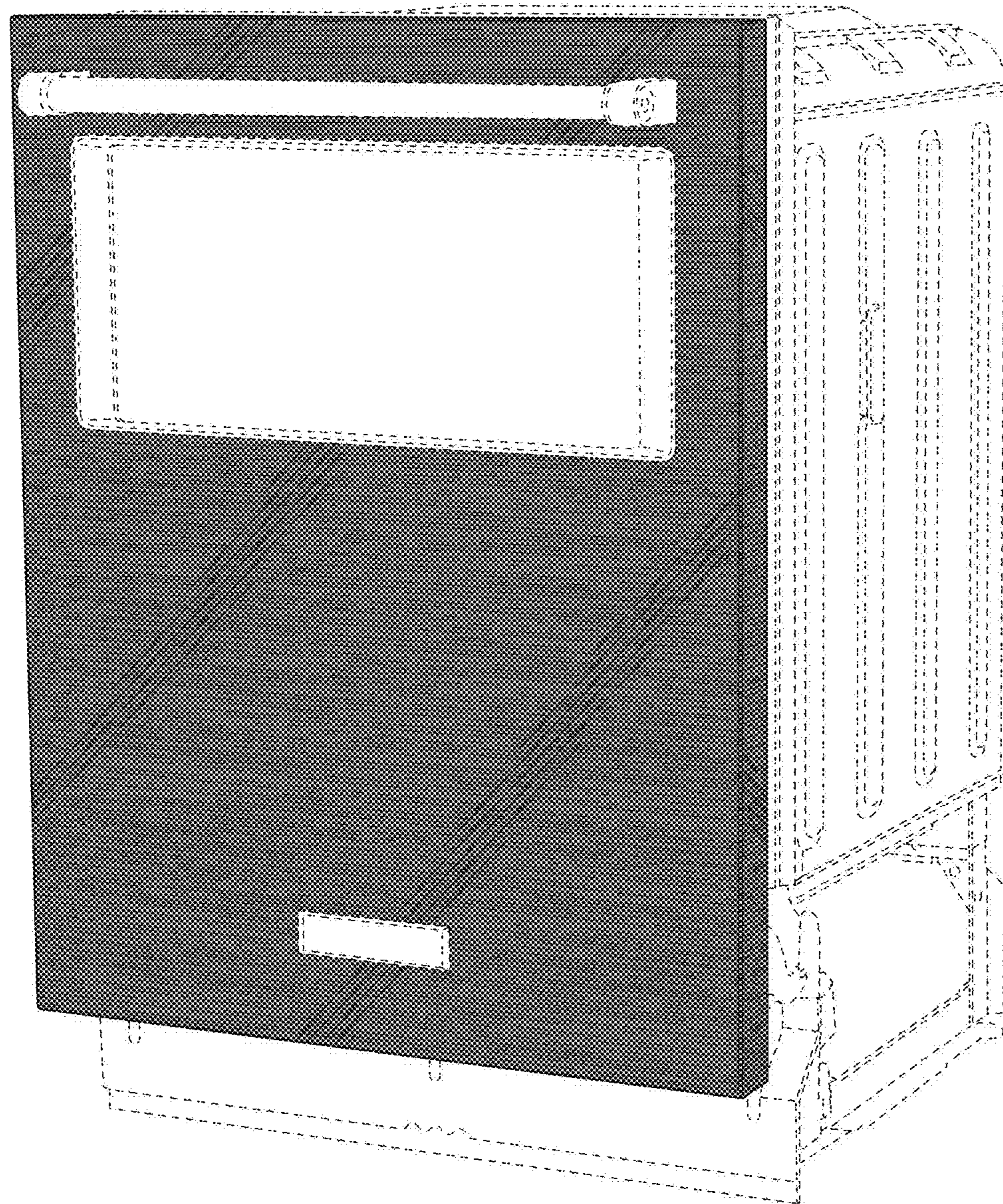


FIG. 1

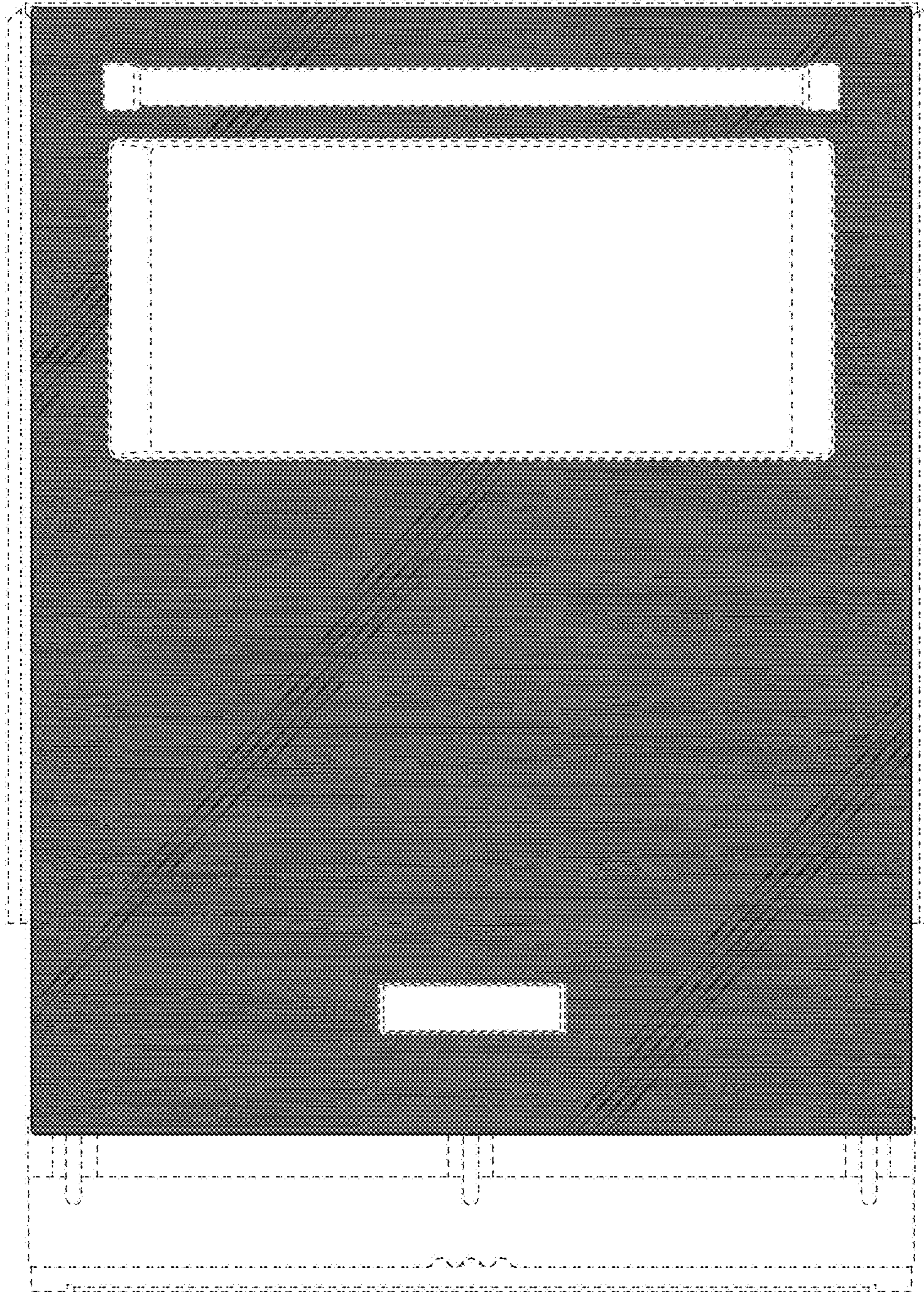


FIG. 2

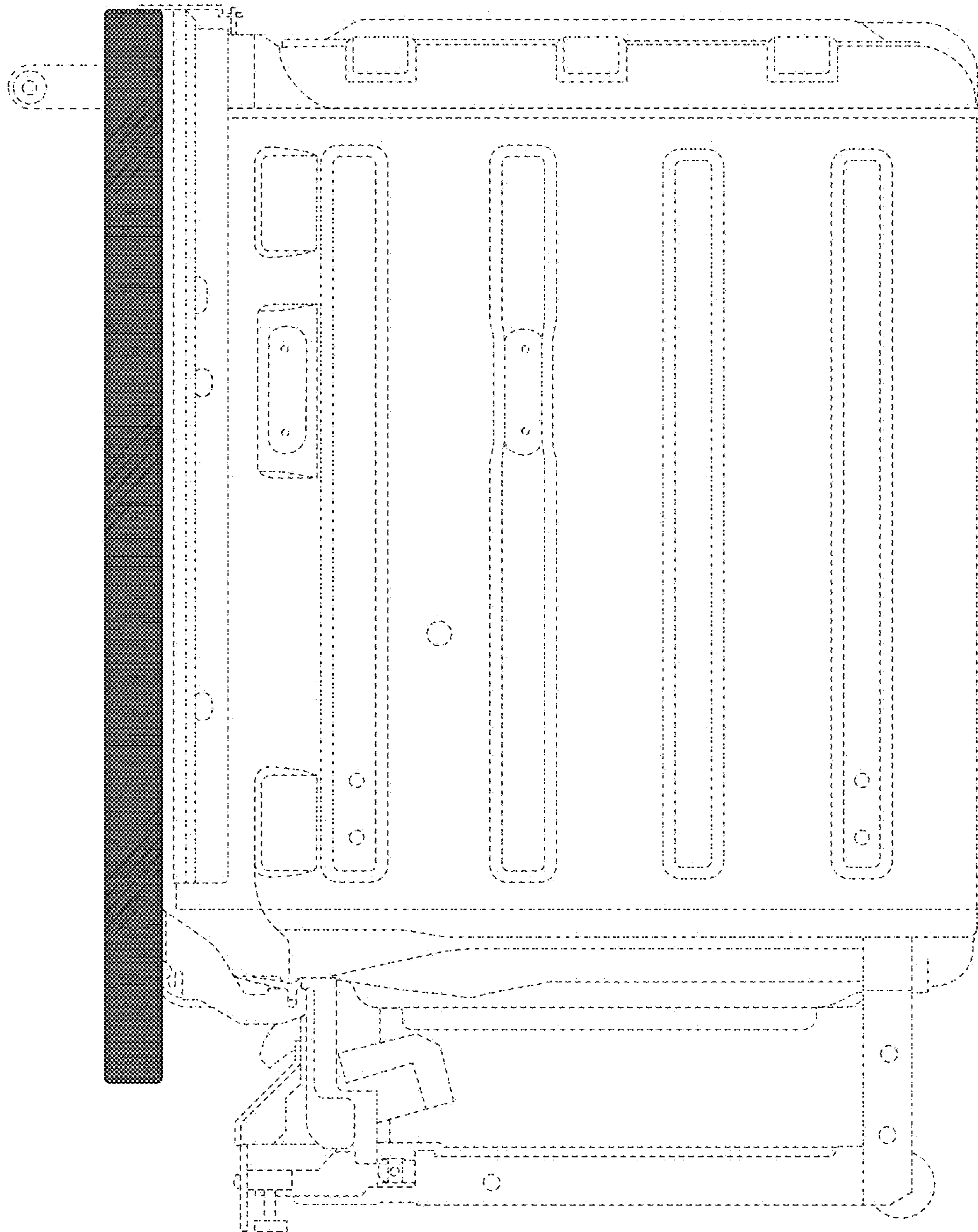


FIG. 3

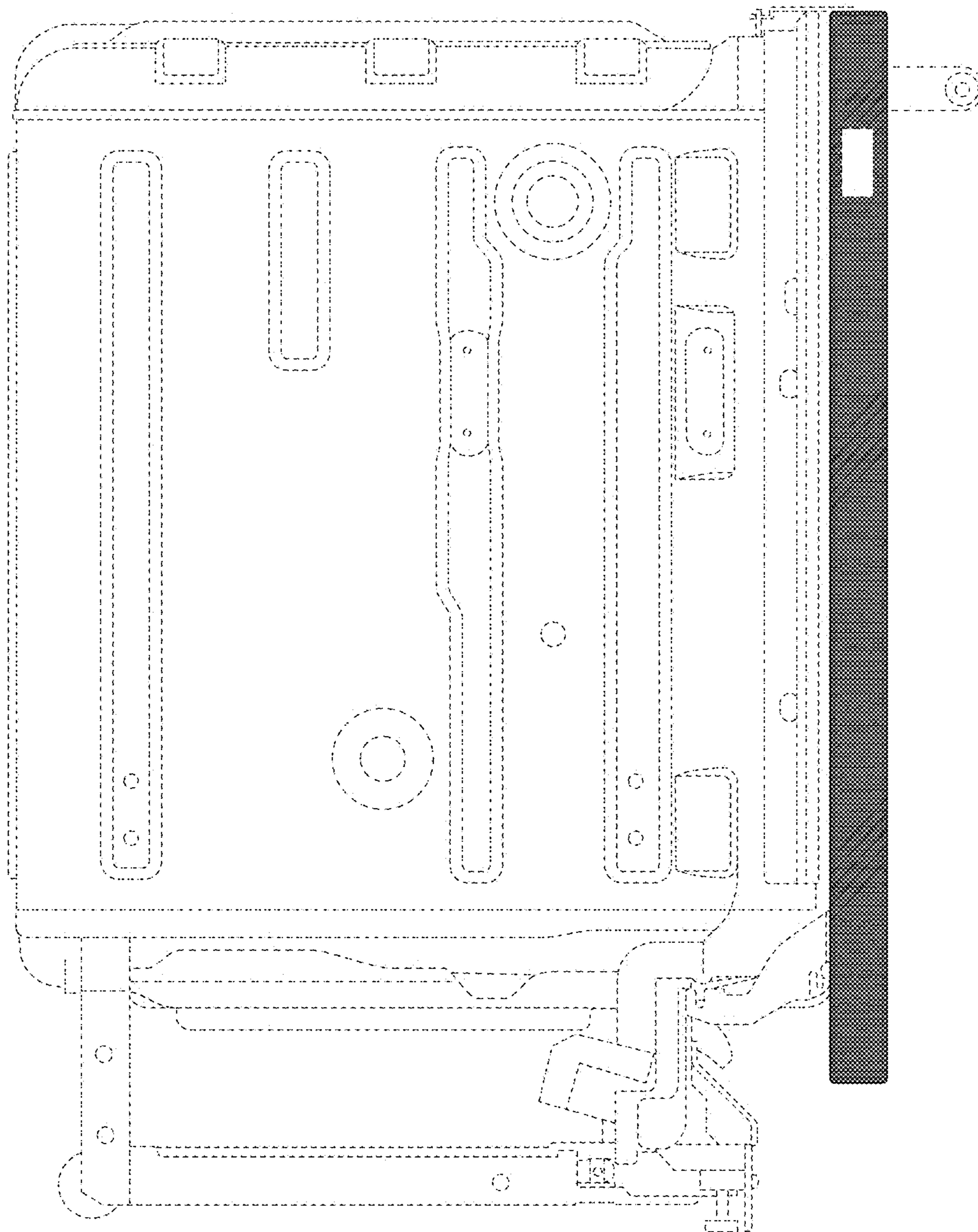


FIG. 4

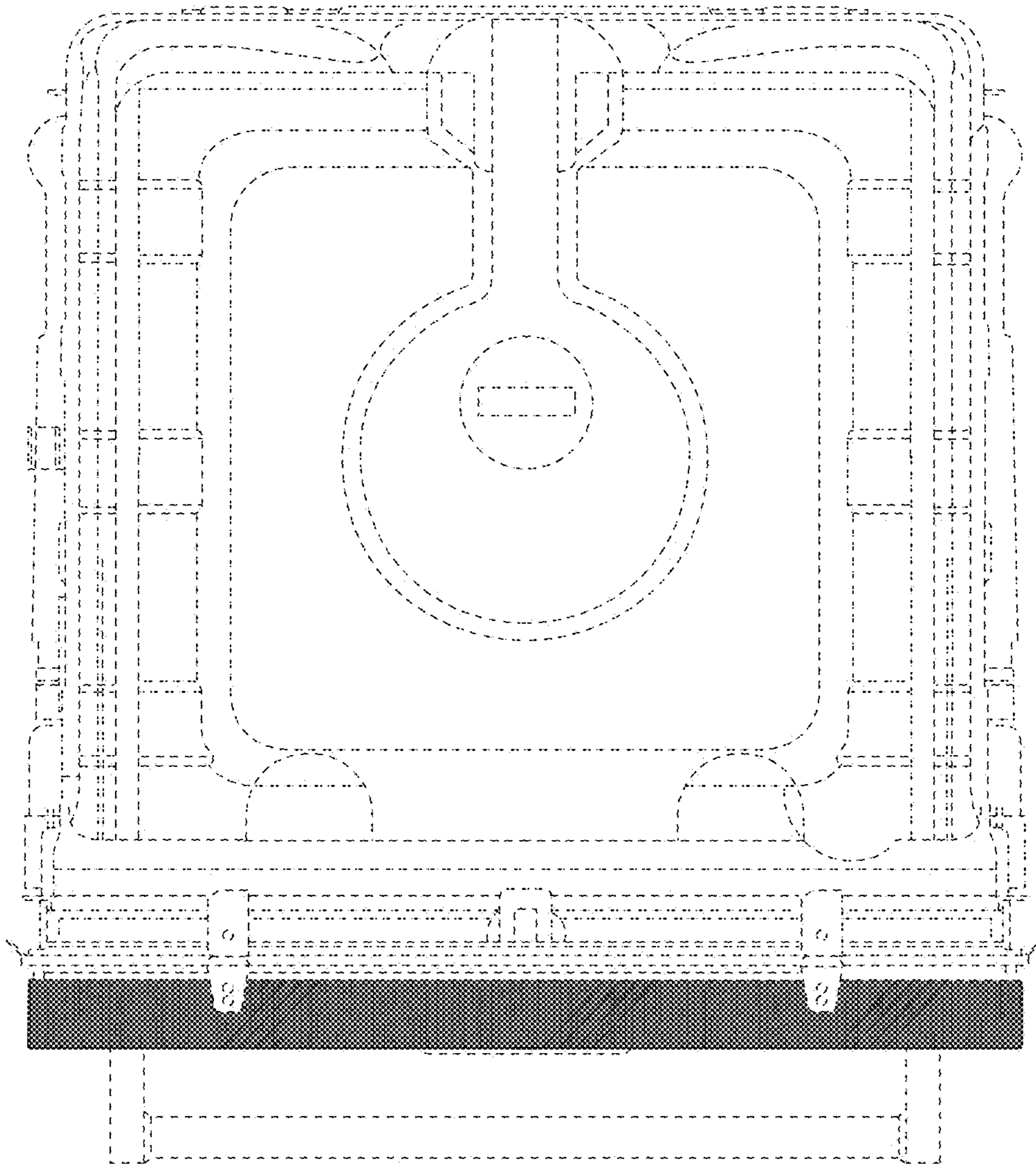


FIG. 5

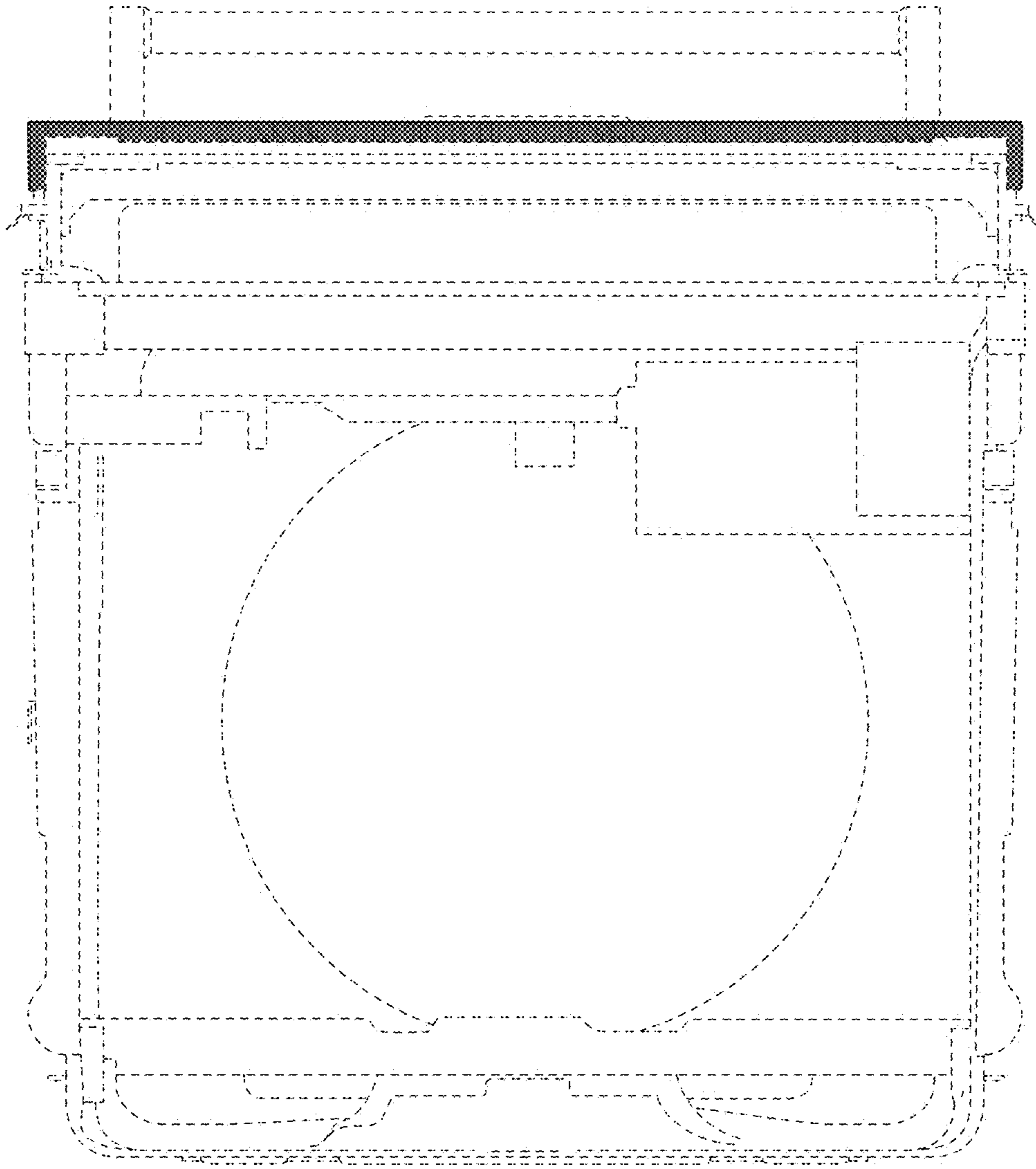


FIG. 6