



US00D971530S

(12) **United States Design Patent**
Georgeson

(10) **Patent No.:** **US D971,530 S**
(45) **Date of Patent:** **** *Nov. 29, 2022**

(54) **CLEANING DEVICE**

FOREIGN PATENT DOCUMENTS

(71) Applicant: **Cleanbox Technology, Inc.**, Carlsbad, CA (US)

CN 304665205 * 6/2018
CN 209502449 U * 10/2019
WO WO-2007006189 A1 * 1/2007 A23L 5/57

(72) Inventor: **David Allen Georgeson**, Vista, CA (US)

OTHER PUBLICATIONS

(73) Assignee: **Cleanbox Technology, Inc.**, Nashville, TN (US)

Cleanboxtech Youtube video, upload date Nov. 2020, https://www.youtube.com/watch?v=eOqyYYy_hRA, site visited Mar. 22, 2021.*

(Continued)

(*) Notice: This patent is subject to a terminal disclaimer.

Primary Examiner — John R Yeh

(**) Term: **15 Years**

(74) *Attorney, Agent, or Firm* — Incubate IP; Randy R. Micheletti

(21) Appl. No.: **29/682,637**

(57) **CLAIM**

The ornamental design for a cleaning device, as shown and described.

(22) Filed: **Mar. 6, 2019**

DESCRIPTION

(51) **LOC (13) Cl.** **15-05**

(52) **U.S. Cl.**
USPC **D32/1**

(58) **Field of Classification Search**
USPC D32/1-2, 5-6, 10, 15-17, 35-36, 53
CPC A61L 2/10; A61C 19/00; A23N 12/02
See application file for complete search history.

FIG. 1 is a front, right side perspective view of my new design for a cleaning device.
FIG. 2 is a rear, right side perspective view thereof.
FIG. 3 is an enlarged perspective view of the portion of FIG. 2 indicated by the dash-dot-dot circle.
FIG. 4 is a rear, left side perspective view thereof.
FIG. 5 is a front view thereof.
FIG. 6 is a back view thereof.
FIG. 7 is a right side view thereof.
FIG. 8 is a left side view thereof.
FIG. 9 is a top view thereof.
FIG. 10 is a bottom view thereof; and,
FIG. 11 is a front view thereof shown with other devices in a state of use.

(56) **References Cited**

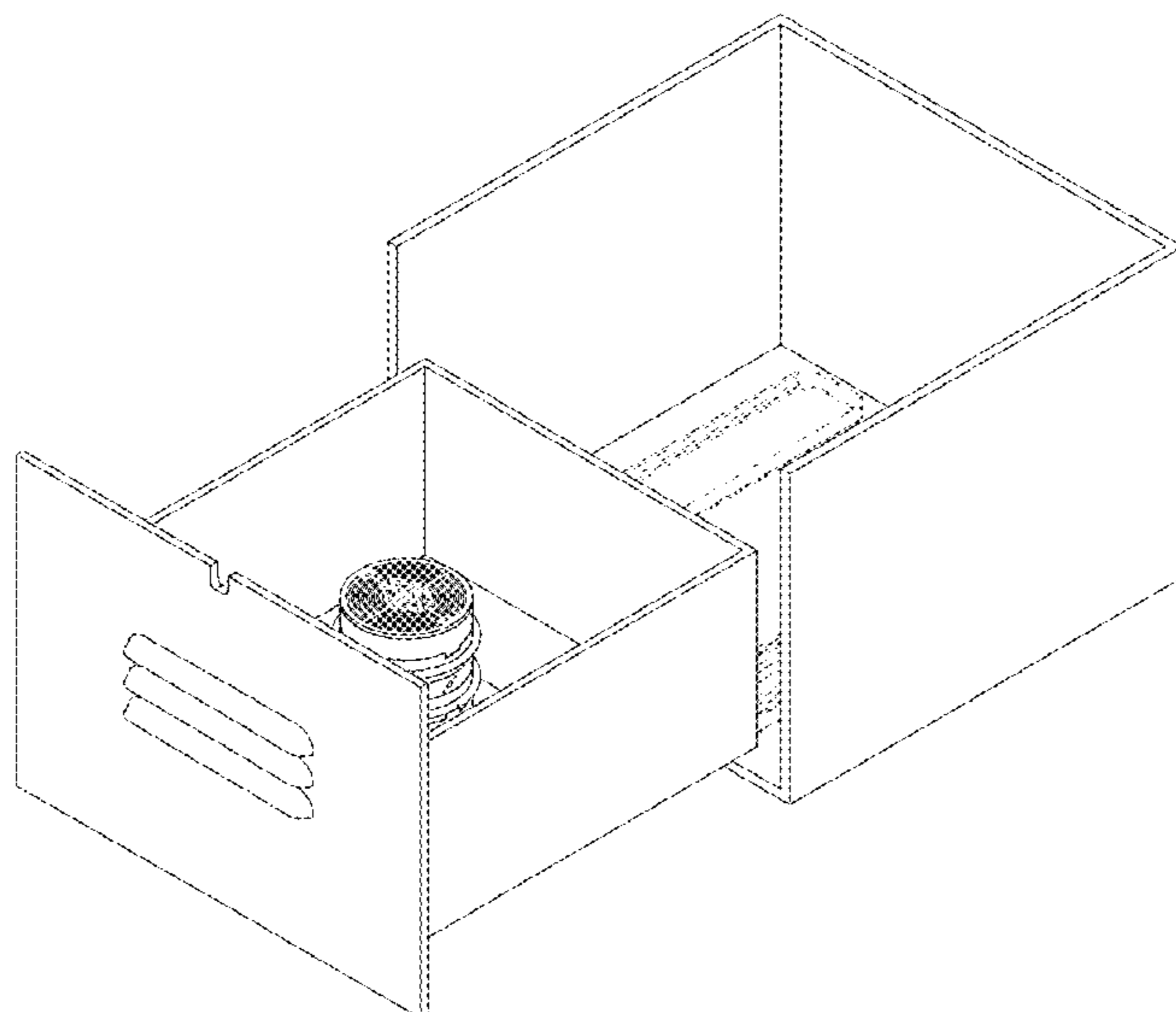
U.S. PATENT DOCUMENTS

D266,794 S	*	11/1982	Puskas	D32/1
D297,273 S	*	8/1988	Proctor	D32/1
D301,780 S	*	6/1989	Ezaki	D32/5
D303,854 S	*	10/1989	Linton	D32/1
4,930,532 A	*	6/1990	Mayer	A61C 19/002 366/127
D315,814 S	*	3/1991	Strand	D32/1
D315,815 S	*	3/1991	Miller	D32/1
5,318,056 A	*	6/1994	Kusz	B08B 3/006 134/99.1
D424,257 S	*	5/2000	Umeda	D32/2
D453,402 S	*	2/2002	Kato	D32/1

(Continued)

The broken lines in the drawings depict portions and environment of the cleaning device that form no part of the claimed design. The dash-dot-dot lines in FIGS. 2 and 3 depict enlargement indications and form no part of the claimed design.

1 Claim, 11 Drawing Sheets



(56)

References Cited

U.S. PATENT DOCUMENTS

D467,394 S * 12/2002 Schumaier D32/1
 D478,696 S * 8/2003 Li D32/2
 D483,532 S * 12/2003 Shelley D32/2
 D555,858 S * 11/2007 Yoo D32/1
 D575,011 S * 8/2008 Harris D32/1
 D593,262 S * 5/2009 Gong D24/217
 8,178,854 B1 * 5/2012 Elliott A61L 2/10
 250/492.1
 D678,634 S * 3/2013 Liao D32/1
 D685,540 S * 7/2013 Yao D32/1
 8,597,588 B1 * 12/2013 Trabalka A61L 2/10
 422/300
 D746,003 S * 12/2015 Shin D32/2
 D804,749 S * 12/2017 Tong D32/2
 D808,091 S * 1/2018 Pan D32/1
 D837,467 S * 1/2019 Cadamuro D32/2
 10,835,358 B2 * 11/2020 Gerrits A61Q 11/02
 D915,694 S * 4/2021 He D32/1

D922,016 S * 6/2021 Israel D32/35
 2001/0022499 A1 * 9/2001 Inayoshi H01J 65/00
 313/607
 2007/0274879 A1 * 11/2007 Millikin A61L 2/10
 422/186.3
 2008/0044326 A1 * 2/2008 Shin A61L 2/10
 422/300
 2012/0107184 A1 * 5/2012 Asiyanbola A61L 2/18
 422/119
 2017/0143859 A1 * 5/2017 Lyslo H05B 31/50
 2018/0015196 A1 * 1/2018 Huang A61L 2/10
 2019/0290074 A1 * 9/2019 Chen A61L 2/24

OTHER PUBLICATIONS

UV solutions website article date 2021, site visited May 24, 2022,
<https://uvsolutionsmag.com/video-vault/2021/cleanbox-technology-inc/>.*

* cited by examiner

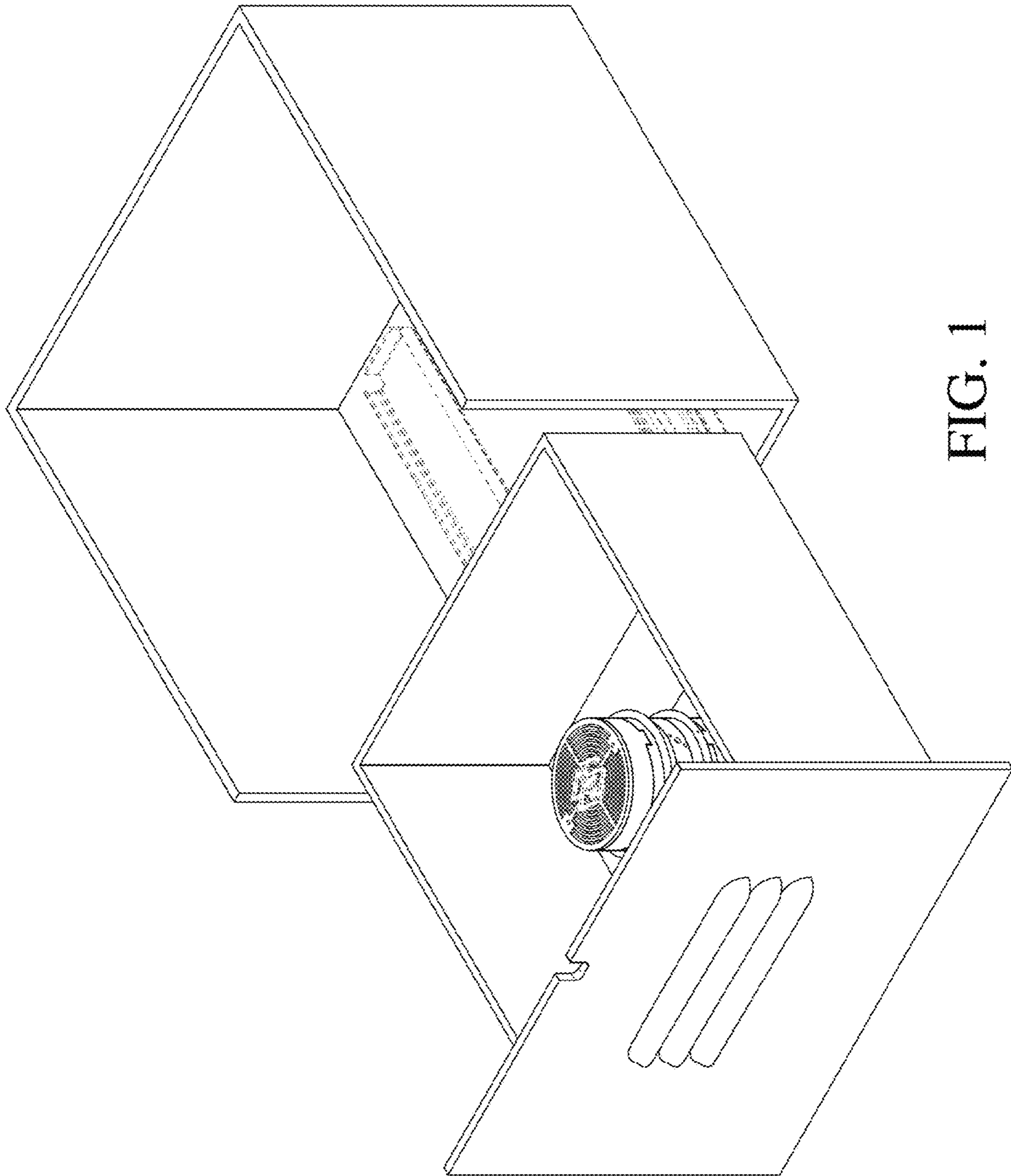


FIG. 1

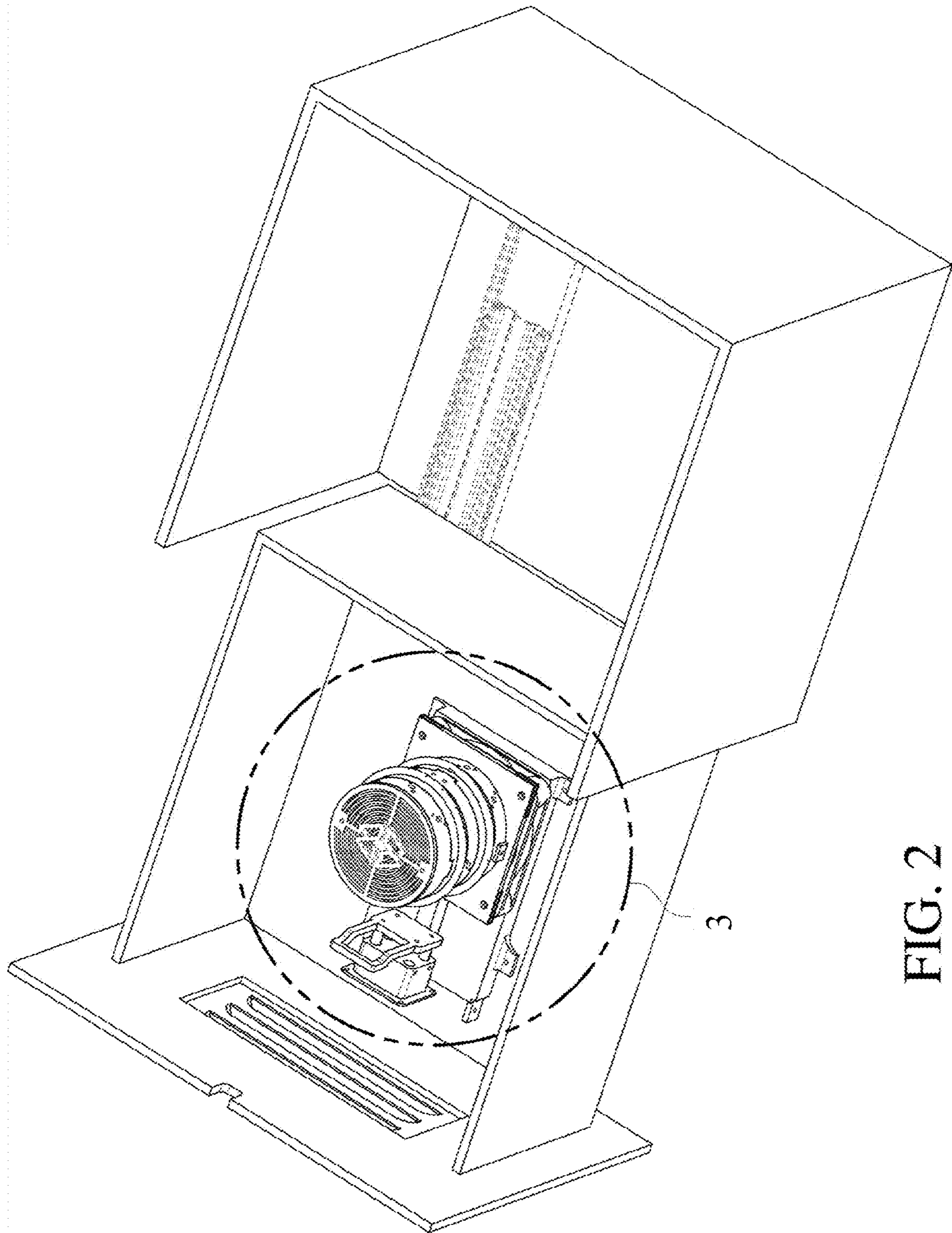


FIG. 2

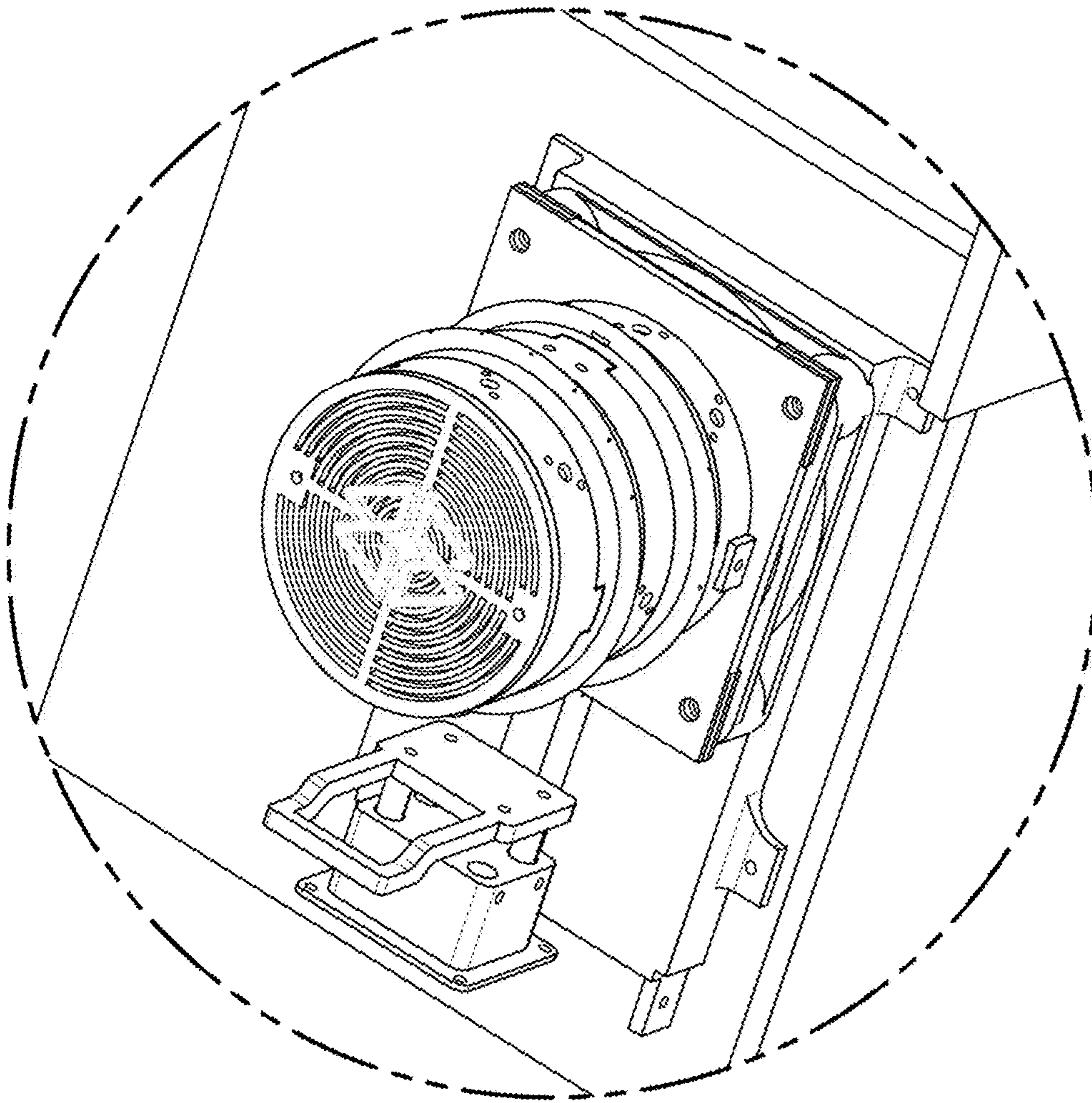


FIG. 3

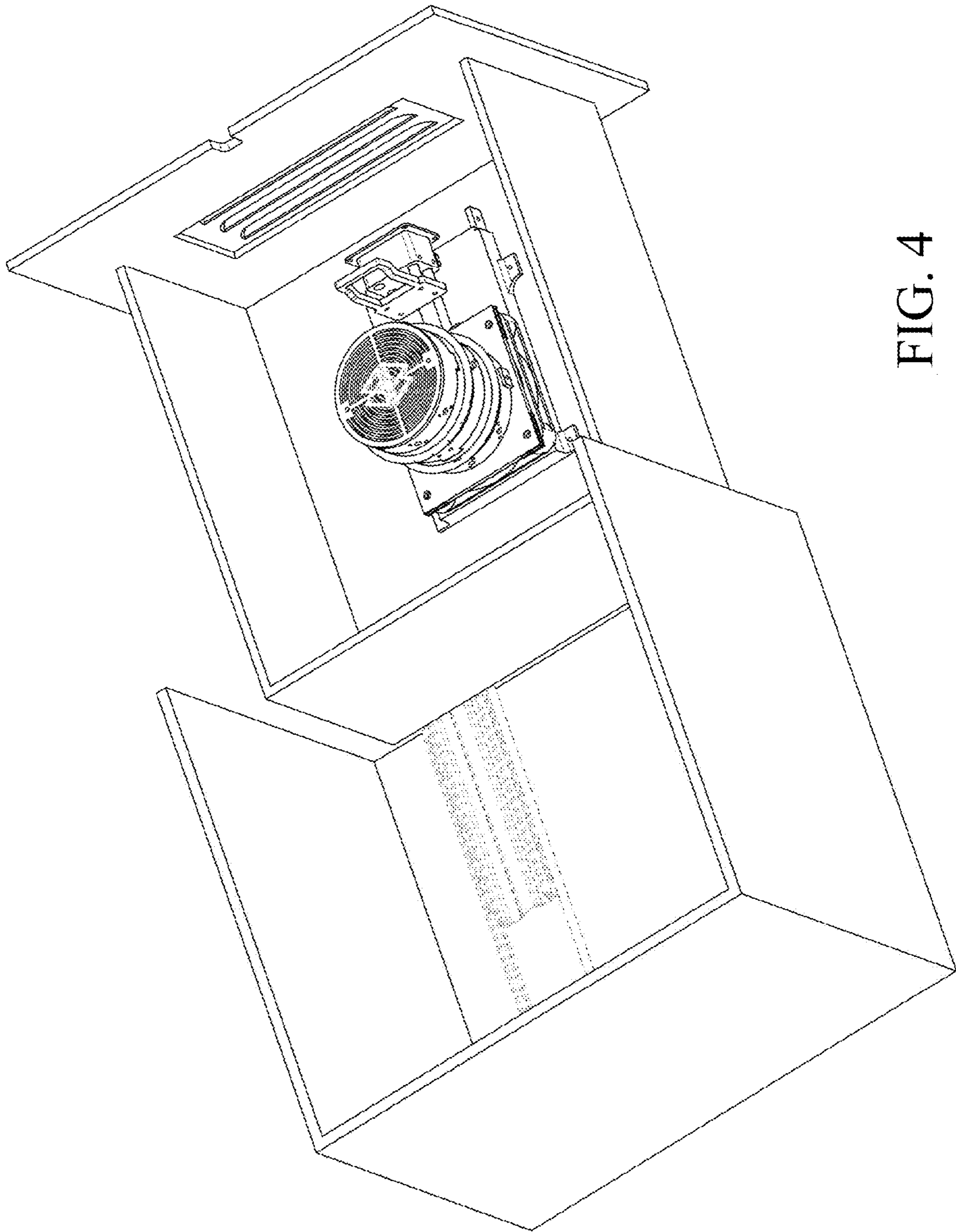


FIG. 4

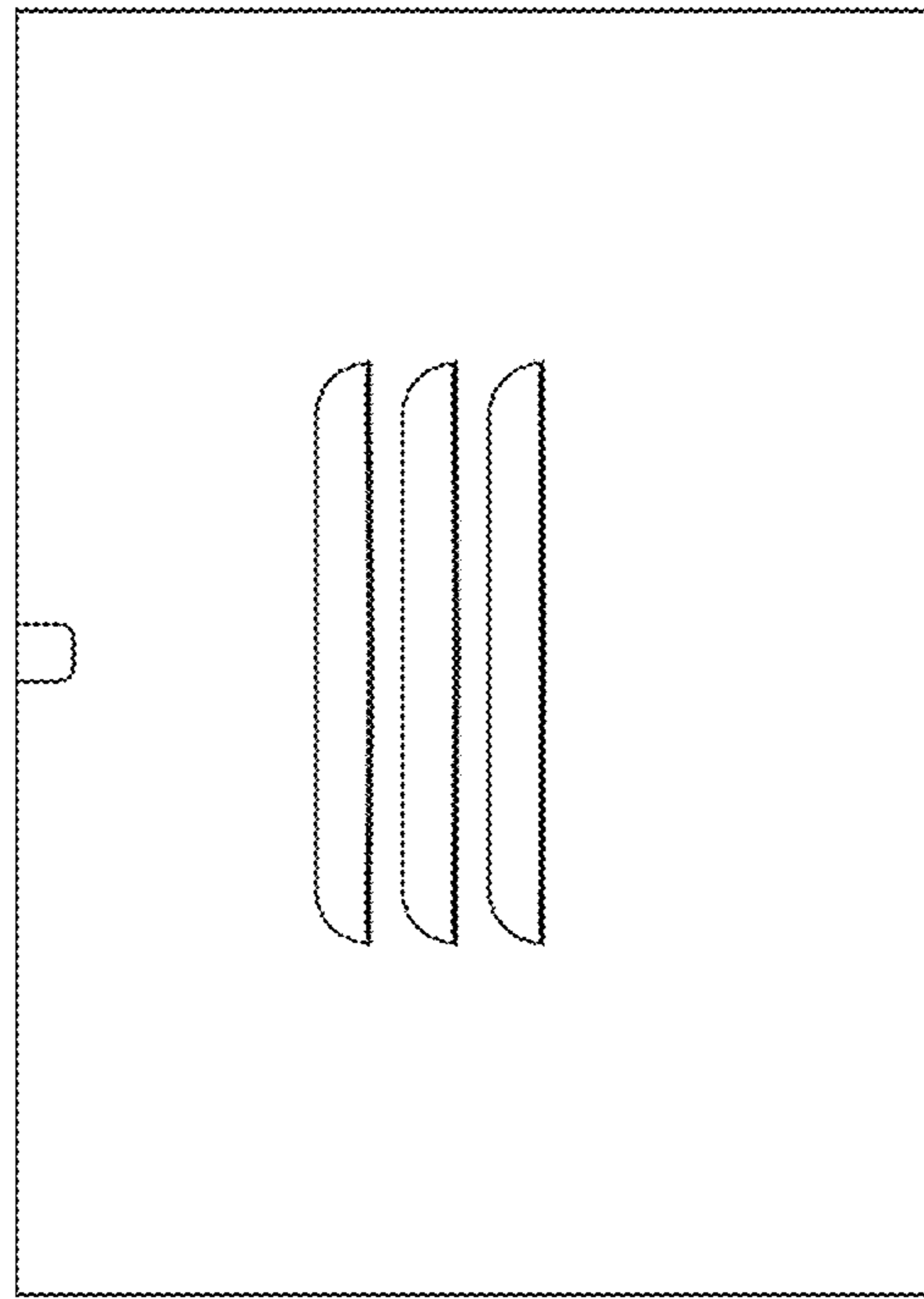


FIG. 5

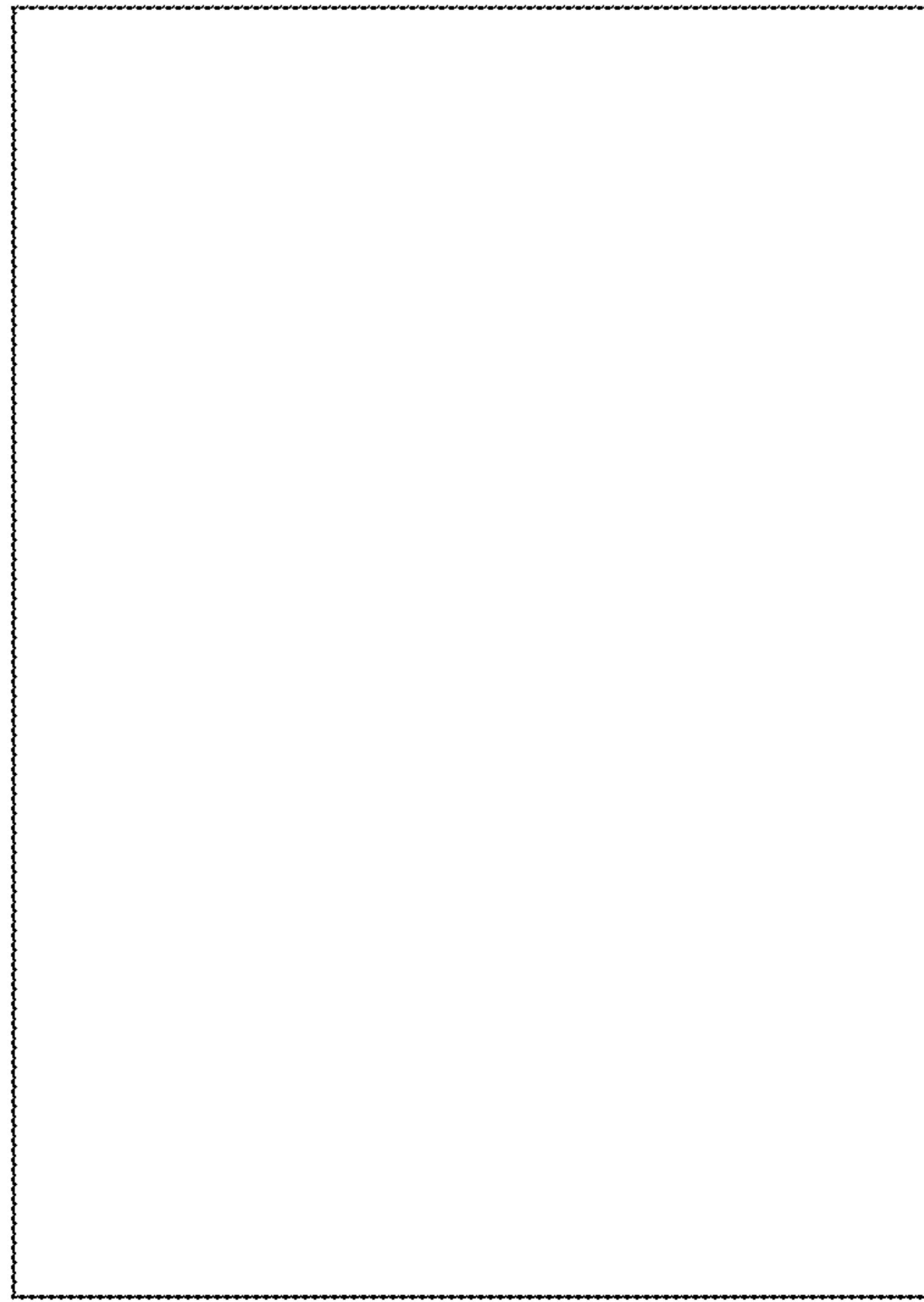


FIG. 6

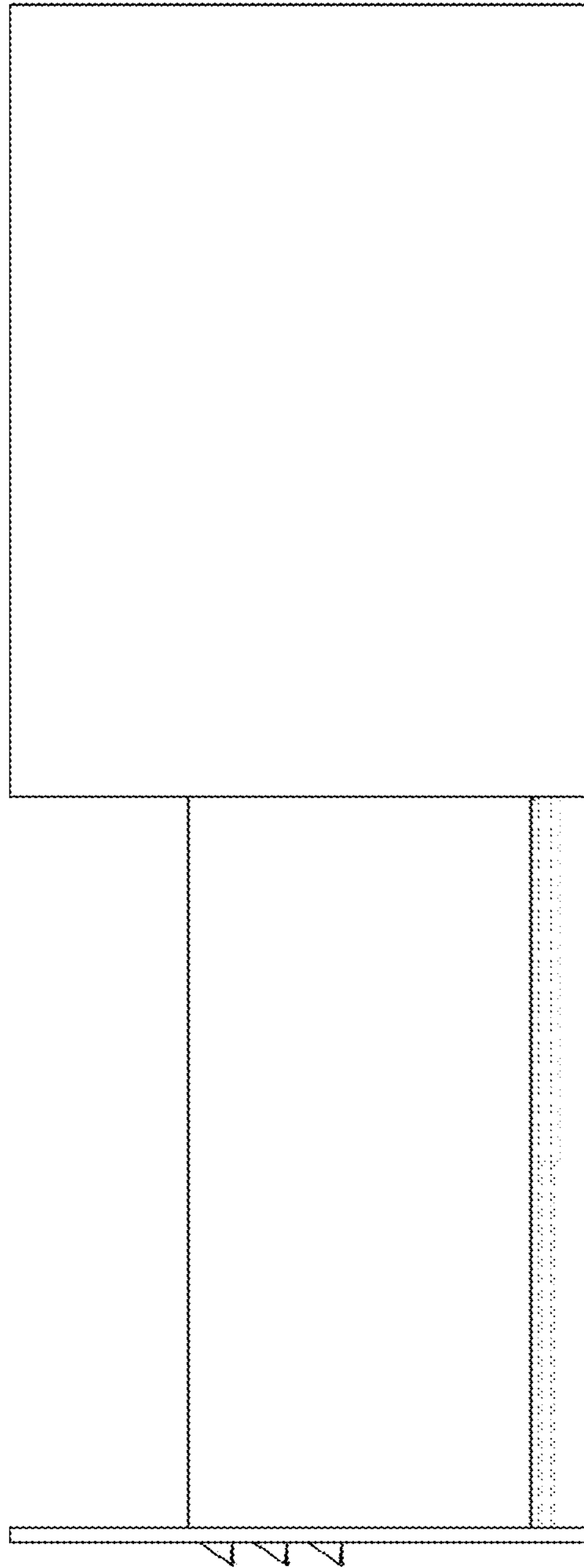


FIG. 7

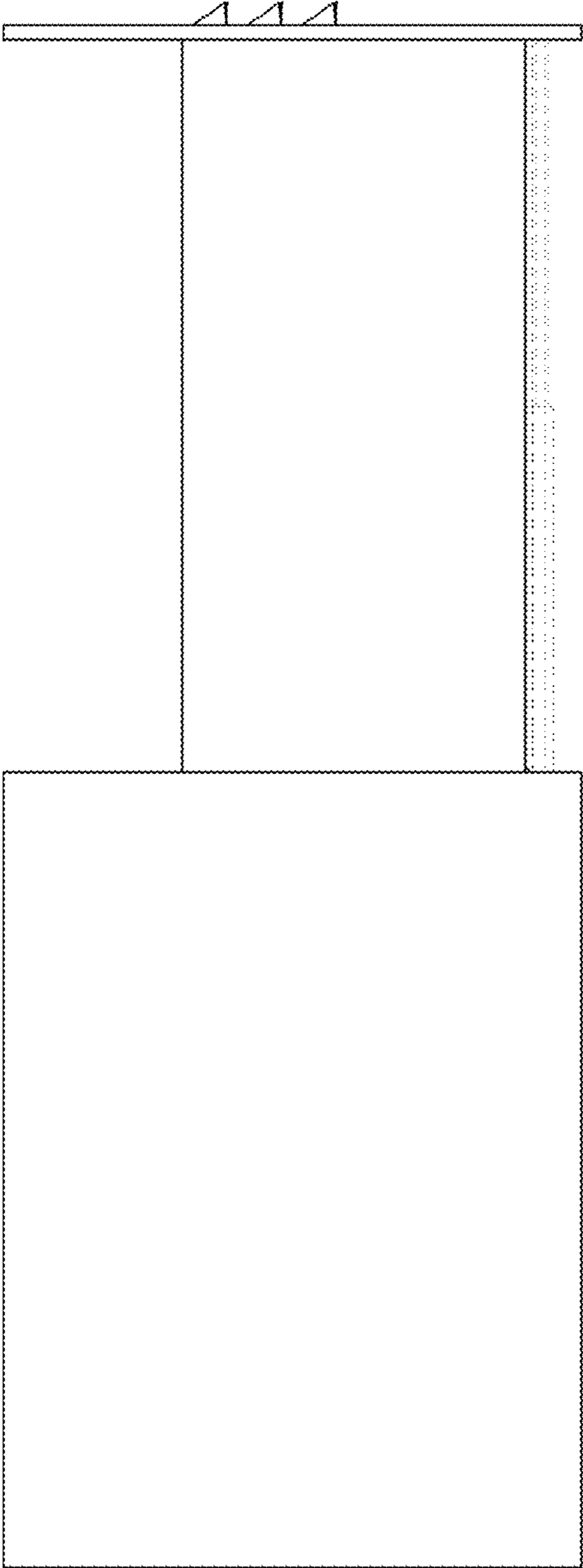


FIG. 8

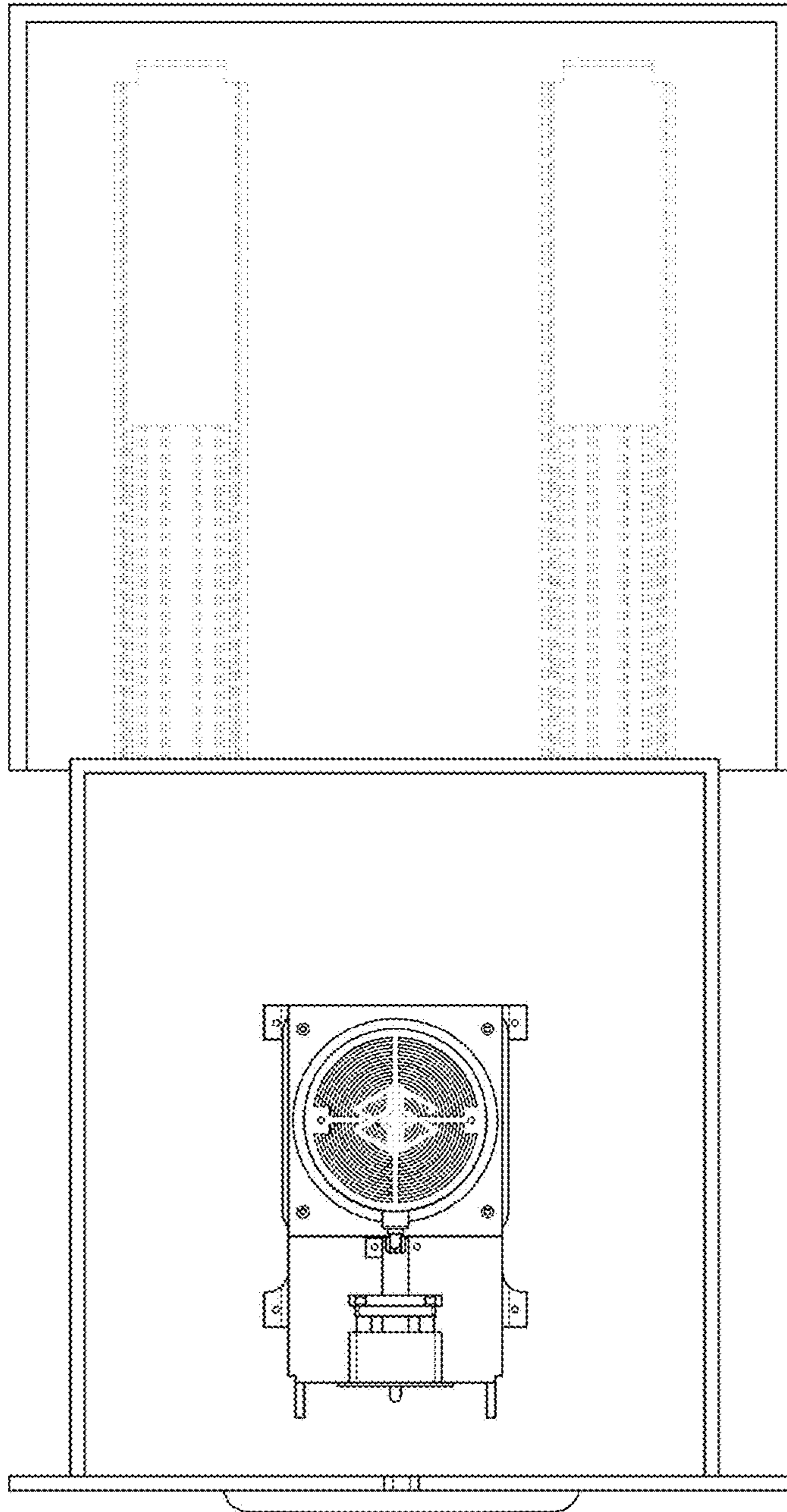


FIG. 9

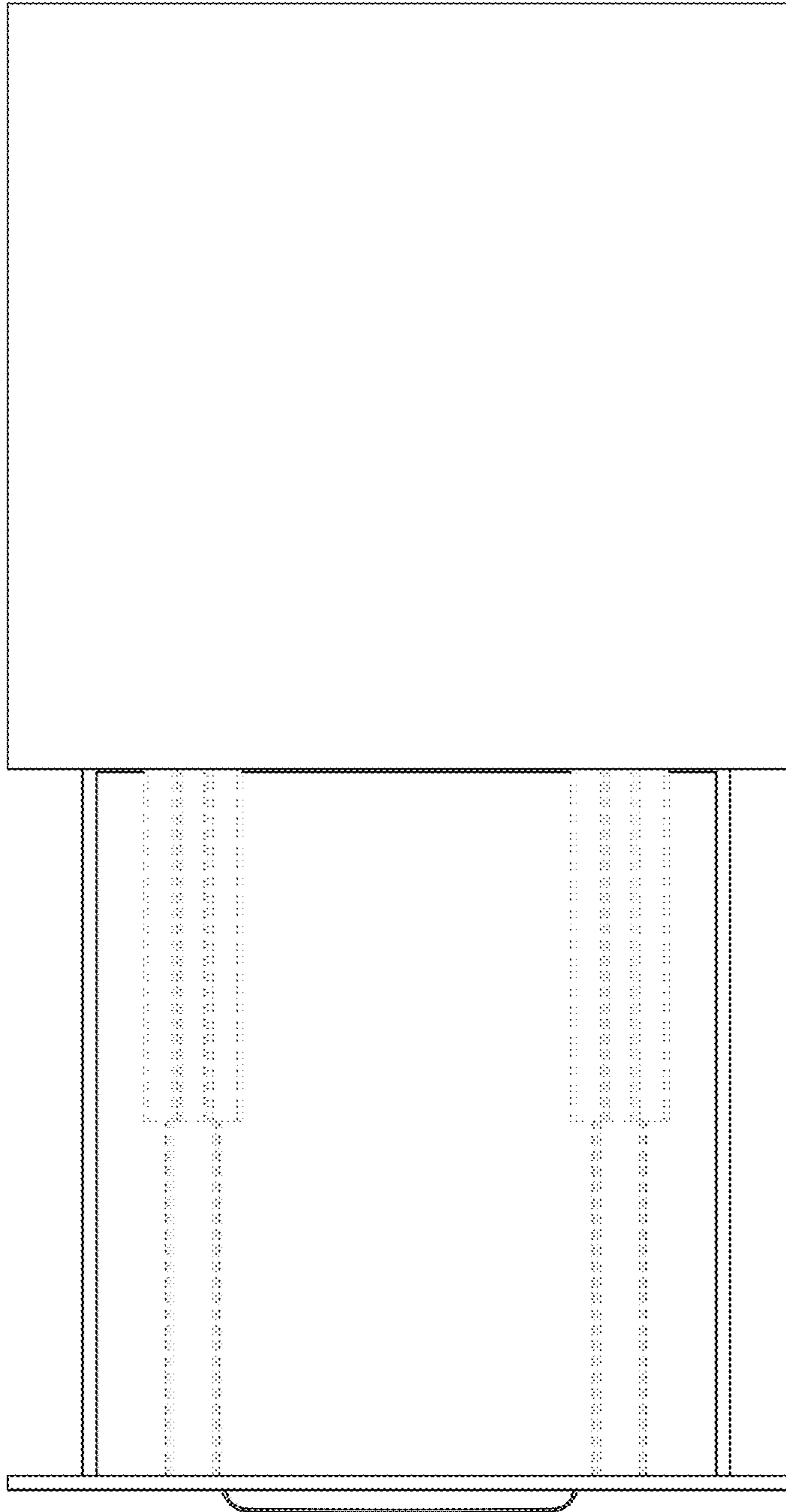


FIG. 10

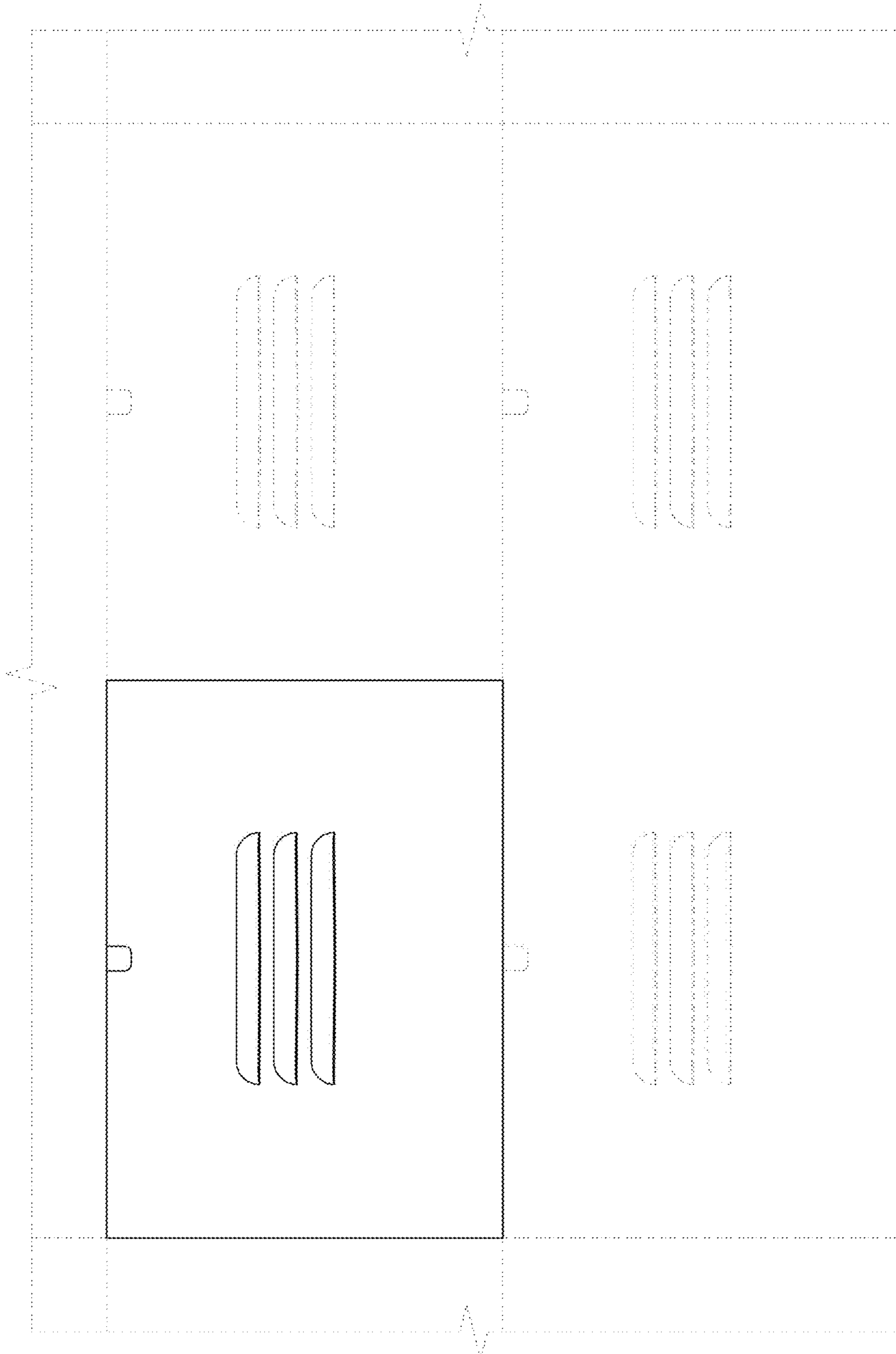


FIG. 11