



US00D971529S

(12) **United States Design Patent**
Hopkins et al.

(10) **Patent No.:** **US D971,529 S**

(45) **Date of Patent:** **** Nov. 29, 2022**

(54) **PET COLLAR DEVICE MOUNT**

(71) Applicants: **Casey Hopkins**, Portland, OR (US);
Jacob Hull, Portland, OR (US)

(72) Inventors: **Casey Hopkins**, Portland, OR (US);
Jacob Hull, Portland, OR (US)

(73) Assignee: **Elevation Lab, Inc.**, Portland, OR (US)

(**) Term: **15 Years**

(21) Appl. No.: **29/844,737**

(22) Filed: **Jun. 30, 2022**

(51) **LOC (13) Cl.** **30-99**

(52) **U.S. Cl.**
USPC **D30/199**; D10/104.1; D10/104.2

(58) **Field of Classification Search**
USPC D30/144, 145, 151, 152, 153, 154, 199;
D10/104.1, 104.2
CPC A01K 27/001; A01K 13/006
See application file for complete search history.

(56) **References Cited**

U.S. PATENT DOCUMENTS

D375,695 S *	11/1996	Narai	D10/70
D402,805 S *	12/1998	Nagano	D3/218
5,878,698 A	3/1999	Lyell		
D414,186 S *	9/1999	Hogenbirk	D10/116.1
D440,397 S *	4/2001	Bardet	D3/201
D447,067 S *	8/2001	Vollenweider	D10/70
D511,699 S *	11/2005	Pan	D10/70
6,970,090 B1	11/2005	Sciarra		
D575,649 S *	8/2008	Scalisi	D10/70
7,780,972 B2	8/2010	Hurwitz		
D632,853 S *	2/2011	Hardi	D30/155
D661,846 S *	6/2012	Miller	D30/155
D666,367 S *	8/2012	Miller	D30/155
D703,394 S	4/2014	Bozeman		
D713,103 S *	9/2014	Sproviero	D30/199
D781,572 S *	3/2017	Duval	D3/215
D795,109 S *	8/2017	Olodort	D10/104.1
D817,332 S *	5/2018	Yaprak	D14/432

D817,558 S	5/2018	Lee		
D818,854 S *	5/2018	Kachar	D10/70
D822,921 S *	7/2018	Wen	D30/199
D822,922 S	7/2018	Wen		
10,271,524 B2	4/2019	Chen		
D858,904 S	9/2019	Zinn		

(Continued)

FOREIGN PATENT DOCUMENTS

CN 201630135445.0 * 10/2016

OTHER PUBLICATIONS

TagVault Pet: The Original AirTag Waterproof Dog Collar Mount, dated to Aug. 27, 2021, amazon.com [online]. Retrieved Sep. 24, 2022 from internet <URL:https://www.amazon.com/TagVault-Pet-Waterproof-Ultra-Durable-Collars/dp/B09DR2QNQ5/?th=1> (Year: 2021).*

Primary Examiner — Andrew T Nemeth

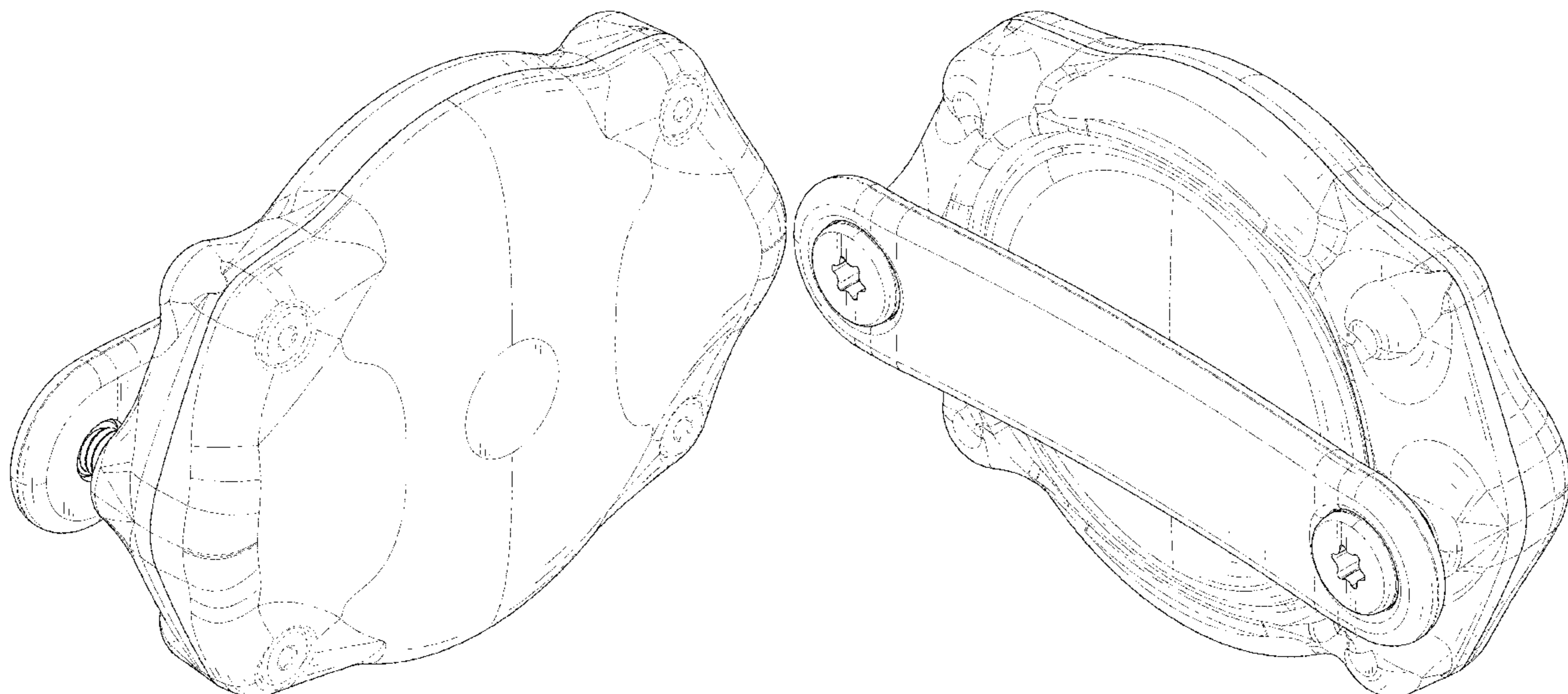
(57) **CLAIM**

We claim the ornamental design for a pet collar device mount, as shown and described.

DESCRIPTION

FIG. 1 is a perspective view of a pet collar device mount mounted to a pet collar.
FIG. 2 is a top front perspective view thereof.
FIG. 3 is a bottom rear perspective view thereof.
FIG. 4 is a top plan view thereof.
FIG. 5 is a bottom plan view thereof.
FIG. 6 is a front elevation view thereof, the rear elevation view is a mirror image of the front elevation view; and,
FIG. 7 is a right-side elevation view thereof, the left-side elevation view is a mirror image of the right-side elevation view.
Broken lines in the drawings illustrate features that form no part of the claimed design.

1 Claim, 7 Drawing Sheets



(56)

References Cited

U.S. PATENT DOCUMENTS

D867,909 S * 11/2019 Kachar D10/70
D870,399 S * 12/2019 Van Curen D30/152
D883,581 S 5/2020 Daly
D890,002 S * 7/2020 Cound D10/70
D898,613 S * 10/2020 Stapleton D11/216
D920,138 S * 5/2021 Kuwashiro D10/46
D926,396 S * 7/2021 Jia D10/104.1
D929,051 S * 8/2021 Li D10/104.1
11,160,335 B2 11/2021 Eidelman
D938,668 S * 12/2021 Jia D10/104.1
D943,845 S * 2/2022 Li D10/104.1
D952,961 S * 5/2022 Li D30/152
D956,765 S * 7/2022 Lee D14/440
D960,129 S * 8/2022 Karimi D14/217
D960,562 S * 8/2022 Lee D3/218
D964,667 S * 9/2022 Mo D10/104.1
2007/0034165 A1 2/2007 Yang
2014/0331942 A1 11/2014 Sarazyn
2017/0135315 A1 5/2017 Marmen
2021/0274754 A1 9/2021 Talley
2021/0307294 A1 10/2021 Kimbel

* cited by examiner

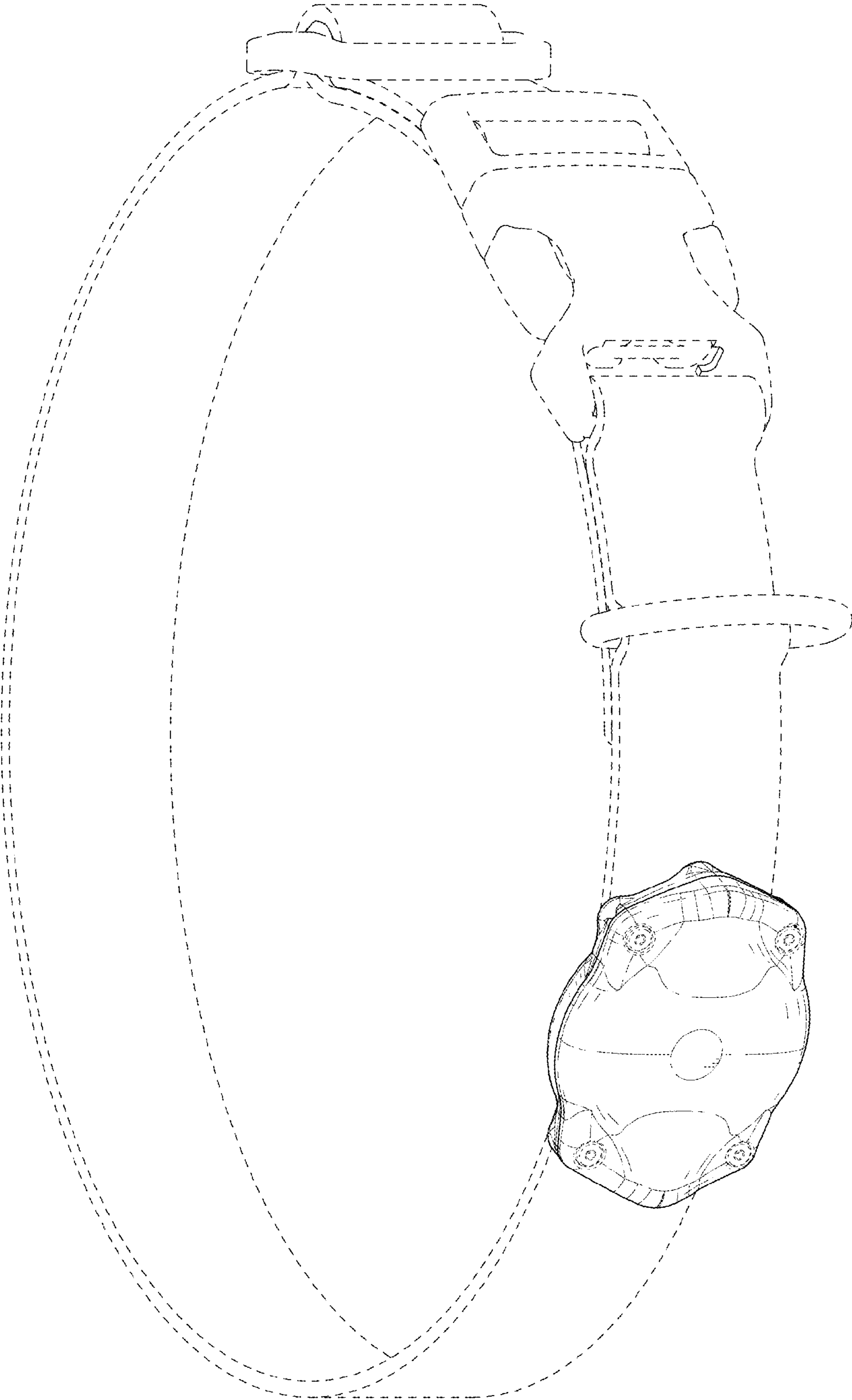


FIG. 1

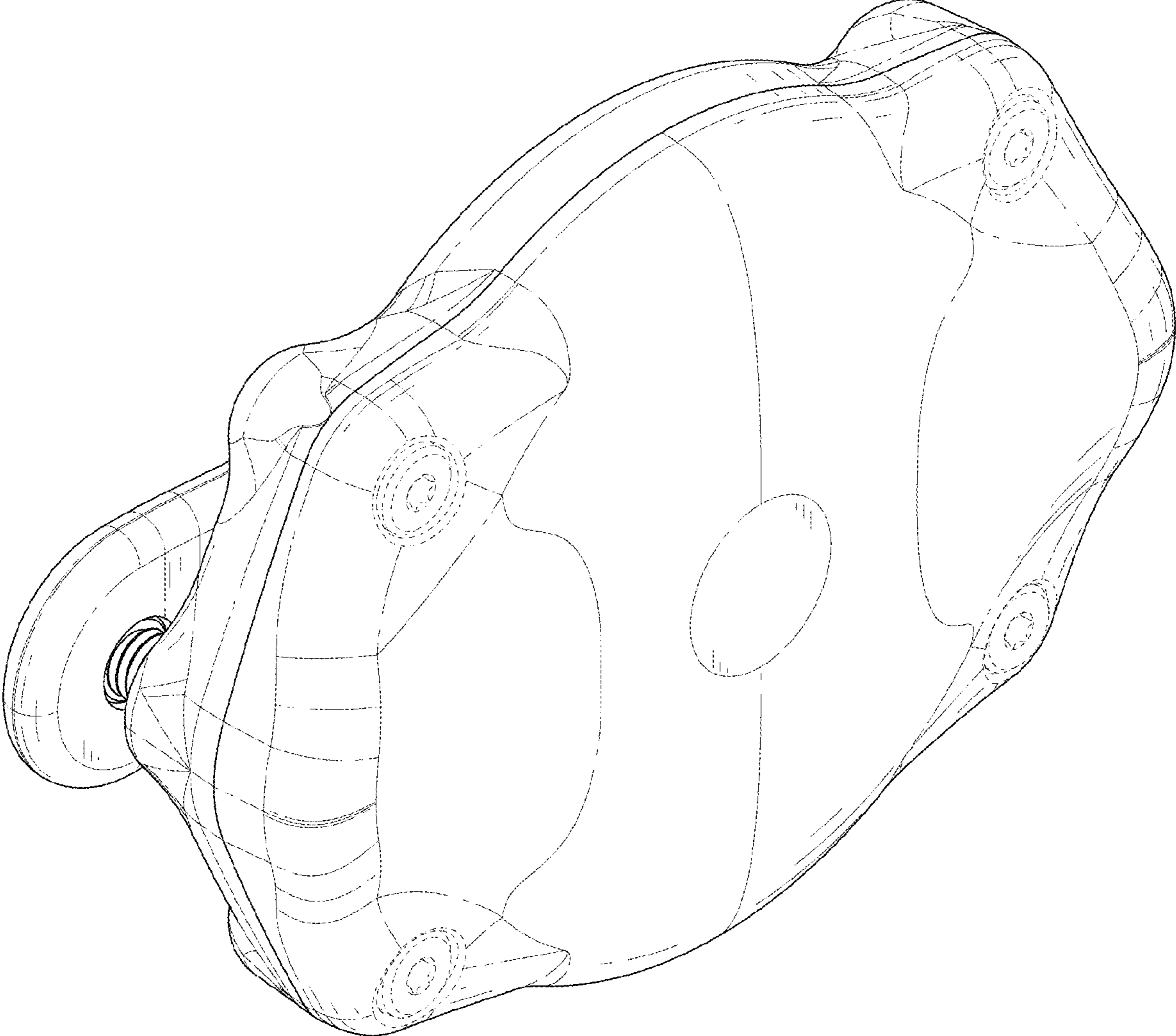


FIG. 2

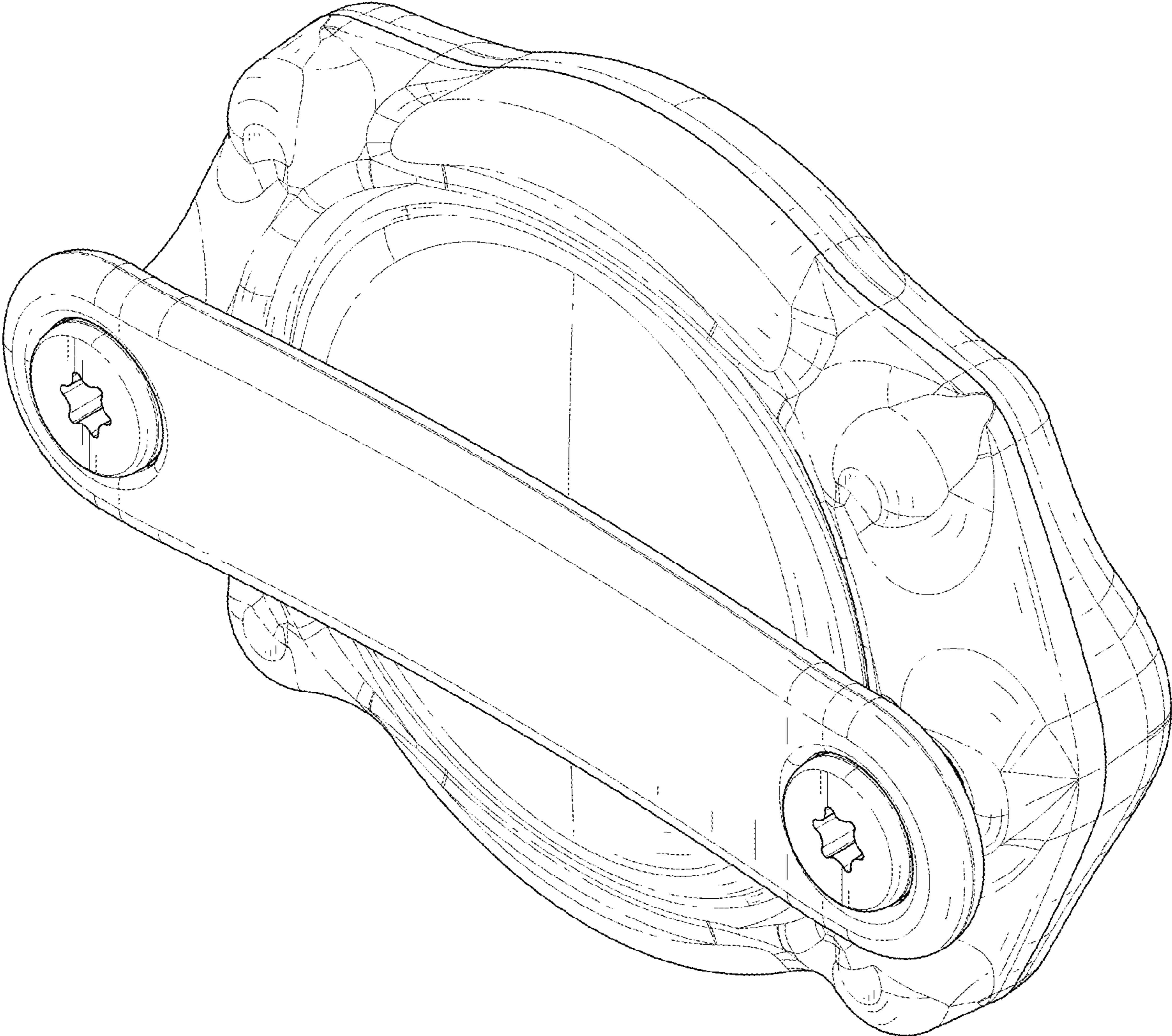


FIG. 3

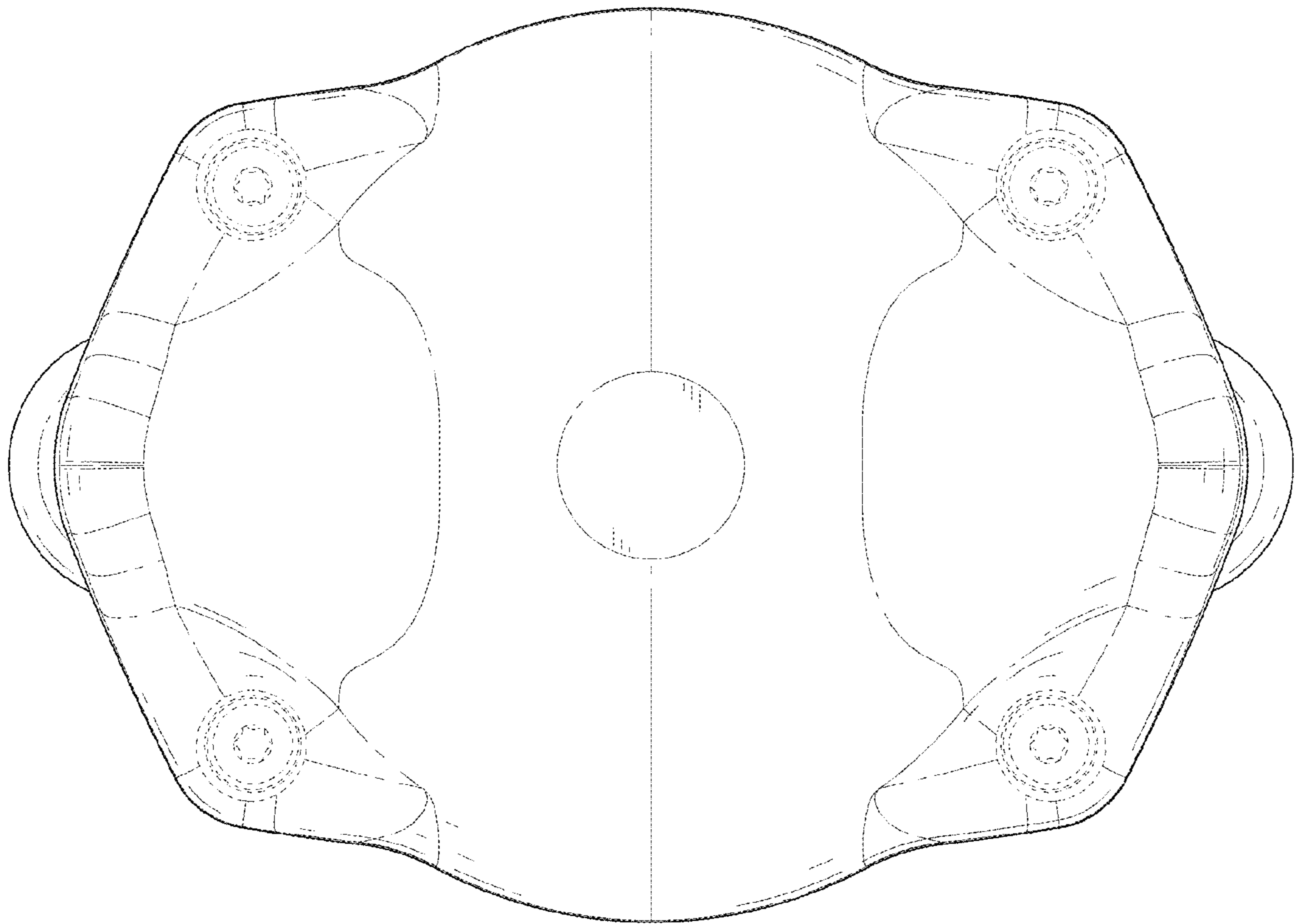


FIG. 4

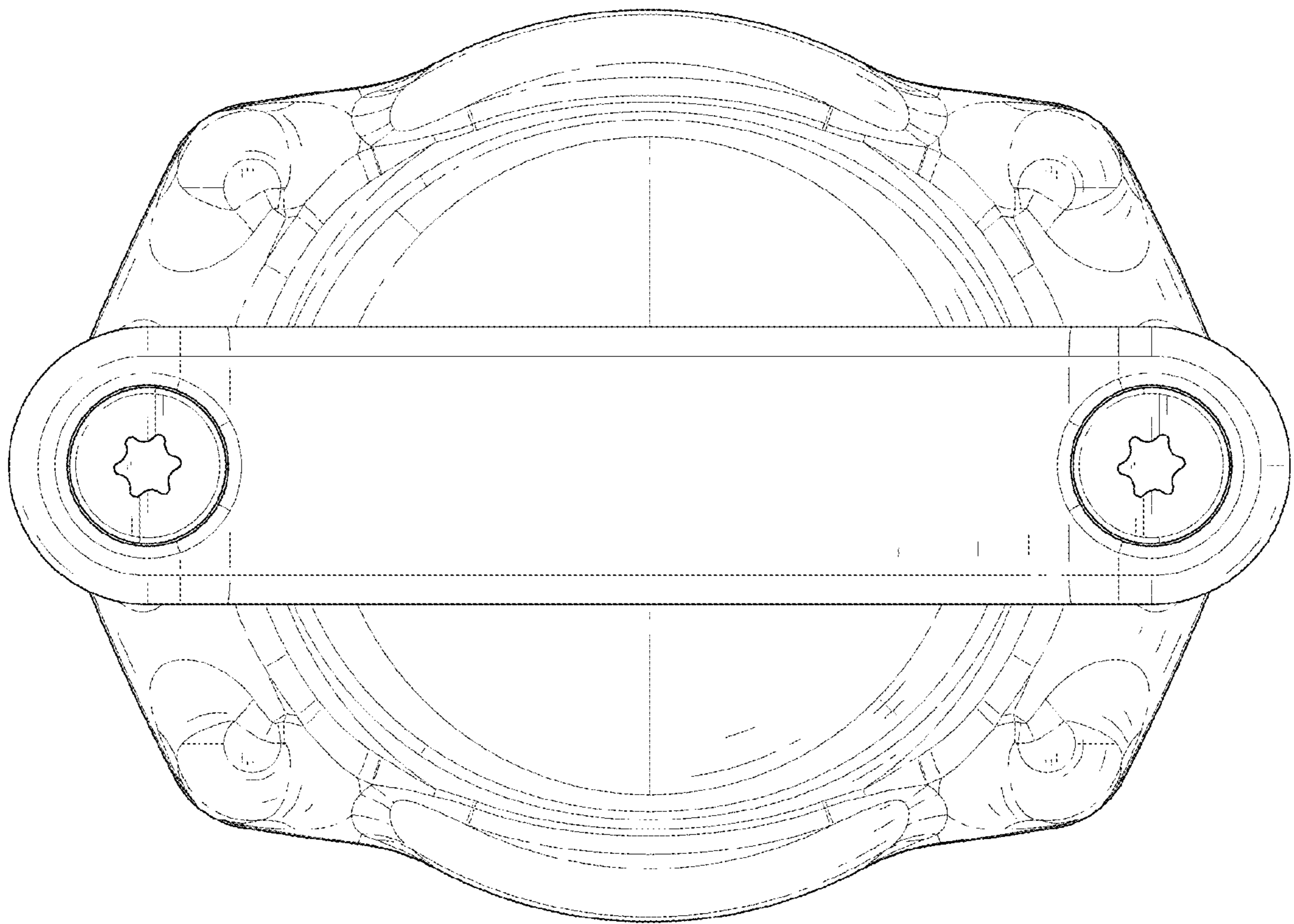


FIG. 5

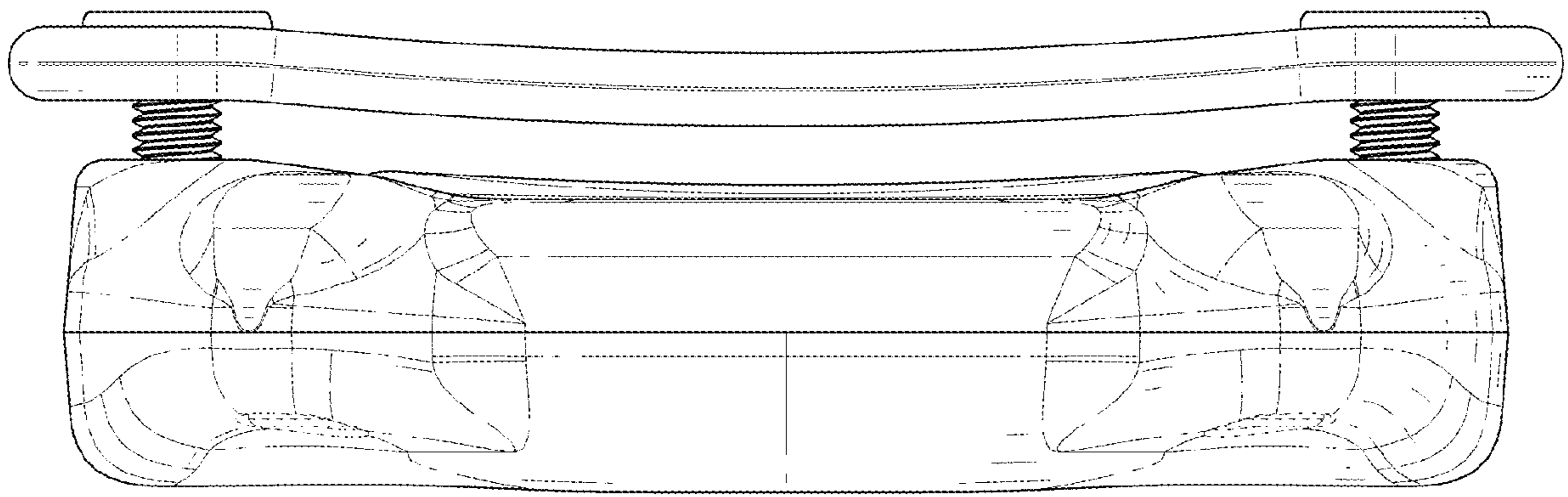


FIG. 6

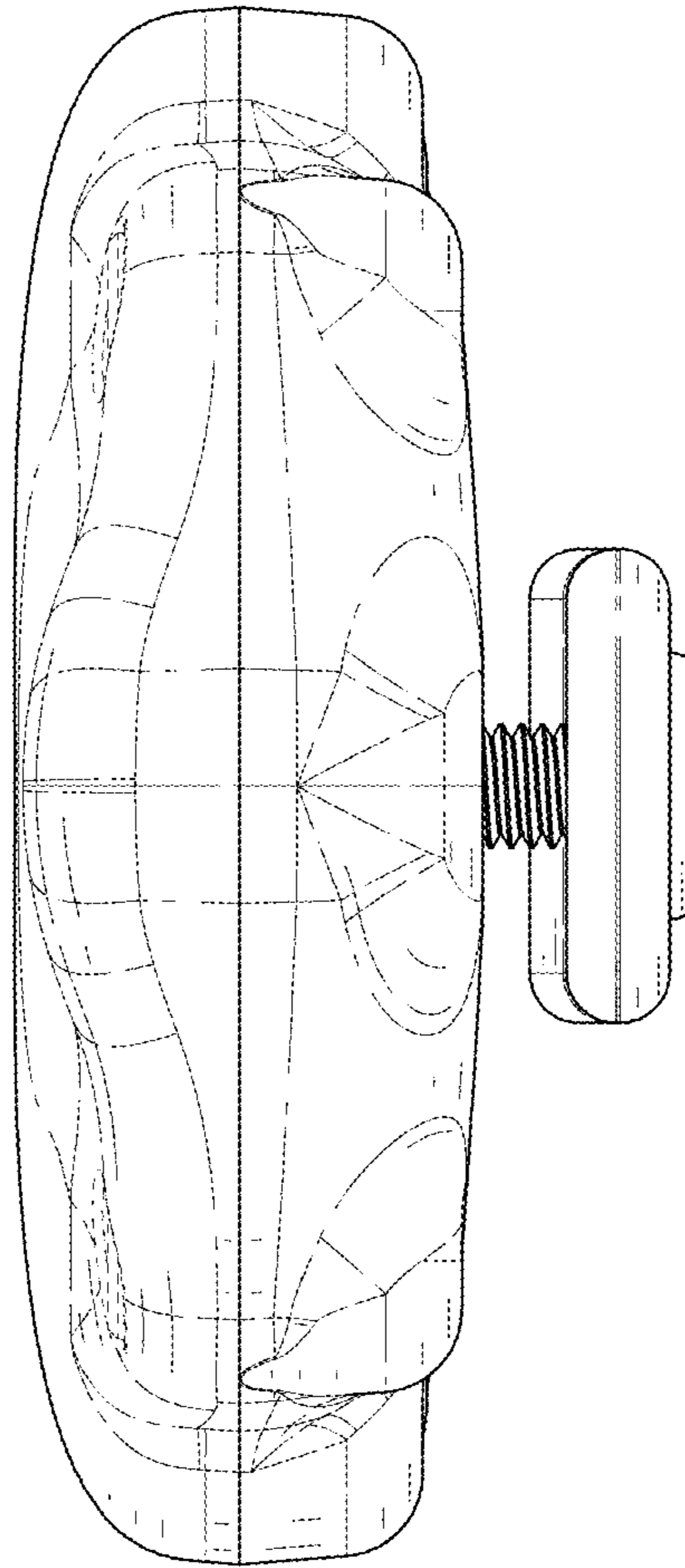


FIG. 7