



US00D971528S

(12) **United States Design Patent** (10) **Patent No.:** **US D971,528 S**  
**Wen** (45) **Date of Patent:** **\*\* Nov. 29, 2022**

(54) **BARK CONTROL**  
(71) Applicant: **Shenzhen TIZE Technology Co., Ltd.,**  
Guangdong (CN)  
(72) Inventor: **Jian Wen,** Guangdong (CN)  
(73) Assignee: **Shenzhen TIZE Technology Co., Ltd.,**  
Guangdong (CN)  
(\*\*) Term: **15 Years**

D637,365 S \* 5/2011 Li ..... D30/155  
D661,846 S \* 6/2012 Miller ..... D30/155  
D683,915 S \* 6/2013 So ..... A01K 15/022  
D713,103 S \* 9/2014 Sproviero ..... D30/199  
D714,498 S \* 9/2014 Khubani ..... D30/152  
D725,848 S \* 3/2015 So ..... D30/152  
D745,229 S \* 12/2015 Pulliam ..... D30/199  
D762,333 S \* 7/2016 Pulliam ..... D30/199  
D798,003 S \* 9/2017 Dong ..... D30/199  
D806,326 S \* 12/2017 Blaska ..... D30/152  
D822,921 S \* 7/2018 Wen ..... D30/199

(Continued)

(21) Appl. No.: **29/775,662**

**FOREIGN PATENT DOCUMENTS**

(22) Filed: **Mar. 24, 2021**

CN 306134660 \* 6/2020  
CN 306616249 \* 6/2021

(30) **Foreign Application Priority Data**

(Continued)

Feb. 5, 2021 (CN) ..... 202130084698.0

*Primary Examiner* — Sheryl Lane  
*Assistant Examiner* — Emily A Caven  
(74) *Attorney, Agent, or Firm* — ScienBiziP, P.C.

(51) **LOC (13) Cl.** ..... **30-99**

(52) **U.S. Cl.**  
USPC ..... **D30/199; D10/104.1**

(58) **Field of Classification Search**  
USPC ..... D30/152, 155, 199  
CPC ..... A01K 15/022; A01K 15/00  
See application file for complete search history.

(57) **CLAIM**

The ornamental design for a bark control, as shown and described.

**DESCRIPTION**

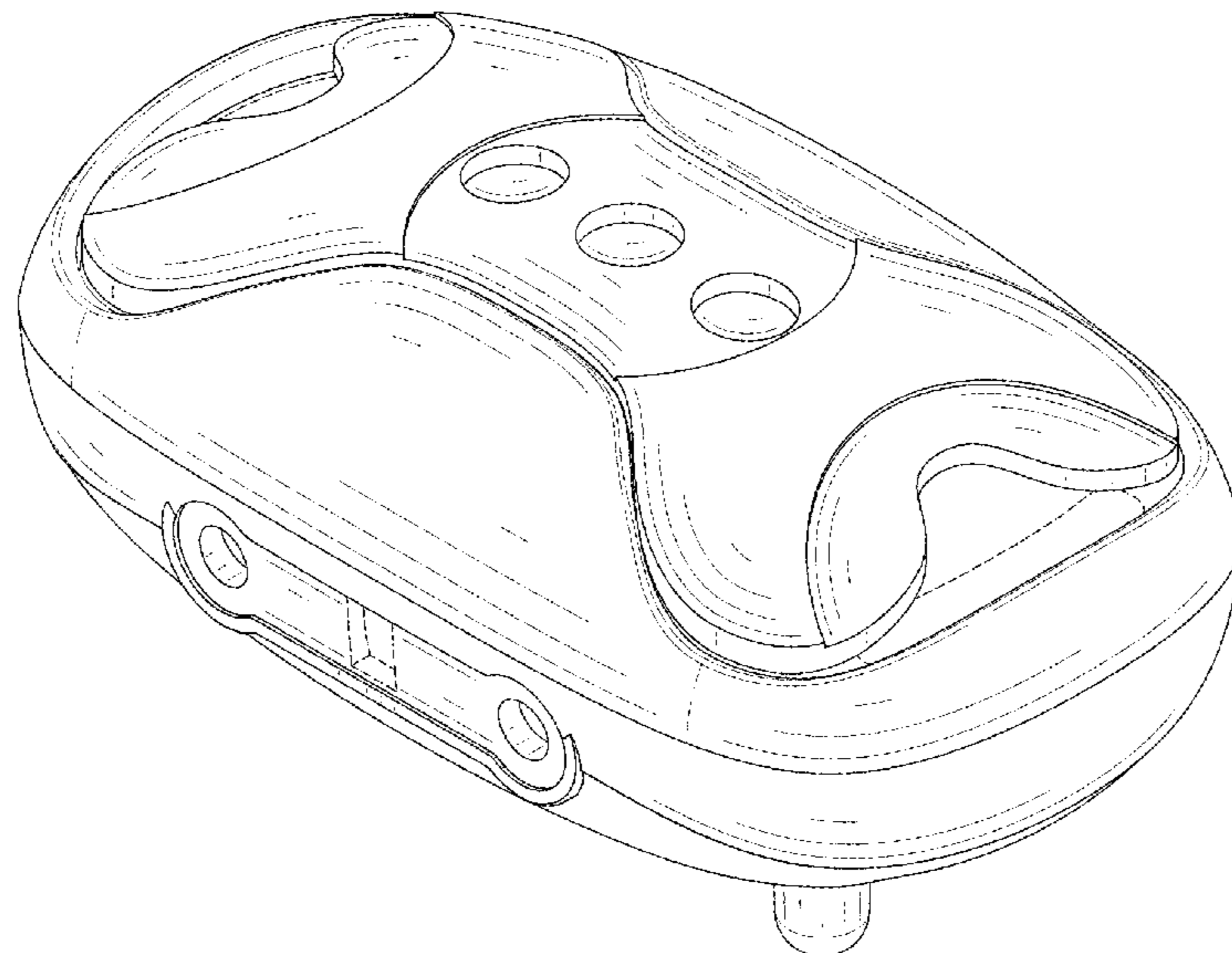
(56) **References Cited**

**U.S. PATENT DOCUMENTS**

4,180,013 A \* 12/1979 Smith ..... A01K 15/022  
119/908  
4,947,795 A \* 8/1990 Farkas ..... A01K 27/009  
119/718  
D380,692 S \* 7/1997 Heun ..... A01K 15/022  
D30/152  
D410,206 S \* 5/1999 Slater ..... A01K 15/022  
D10/104.1  
5,927,233 A \* 7/1999 Mainini ..... A01K 15/022  
119/718  
D445,352 S \* 7/2001 So ..... D30/199  
D478,830 S \* 8/2003 So ..... D30/152  
D520,894 S \* 5/2006 Zakharyan ..... D30/199

FIG. 1 is a front, right, and top perspective view of a bark control, showing my design.  
FIG. 2 is a rear, left, and bottom perspective view thereof.  
FIG. 3 is a front elevation view thereof.  
FIG. 4 is a rear elevation view thereof.  
FIG. 5 is a left side elevation view thereof.  
FIG. 6 is a right side elevation view thereof.  
FIG. 7 is a top plan view thereof; and,  
FIG. 8 is a bottom plan view thereof.  
The broken lines shown in the drawings are included for the purpose of illustrating portions of the bark control that form no part of the claimed design.

**1 Claim, 8 Drawing Sheets**



(56)

**References Cited**

U.S. PATENT DOCUMENTS

D822,922	S	*	7/2018	Wen	.....	D30/152
D828,965	S	*	9/2018	Wen	.....	D10/104.1
D834,769	S	*	11/2018	Wen	.....	D10/104.1
D835,364	S	*	12/2018	Lee	.....	D10/104.1
D836,261	S	*	12/2018	Ni	.....	D10/104.1
D853,666	S	*	7/2019	Ni	.....	D10/104.1
D861,259	S	*	9/2019	Dong	.....	D30/152
D884,994	S	*	5/2020	Ni	.....	D10/104.1
D888,353	S	*	6/2020	Lan	.....	D10/104.1
D912,337	S	*	3/2021	Hu	.....	D10/104.1
D919,201	S	*	5/2021	Wang	.....	D10/104.1
D925,141	S	*	7/2021	Lai	.....	D10/104.1
D925,143	S	*	7/2021	Jia	.....	D10/104.1
D926,396	S	*	7/2021	Jia	.....	D10/104.1
D929,682	S	*	8/2021	Li	.....	D10/104.1
D936,919	S	*	11/2021	Luo	.....	D10/104.1
D938,668	S	*	12/2021	Jia	.....	D10/104.1
D938,669	S	*	12/2021	Jia	.....	D10/104.1
D945,721	S	*	3/2022	Luo	.....	D10/104.1
D957,763	S	*	7/2022	Jia	.....	D10/104.1
D963,265	S	*	9/2022	Liu	.....	D10/104.1
D964,667	S	*	9/2022	Mo	.....	D10/104.1
2008/0163829	A1	*	7/2008	Lee	.....	A01K 15/022 119/718

FOREIGN PATENT DOCUMENTS

CN	306616250	*	6/2021
CN	306683090	*	7/2021
EM	008458061-0001	*	3/2021
GB	6123514	*	3/2021

\* cited by examiner

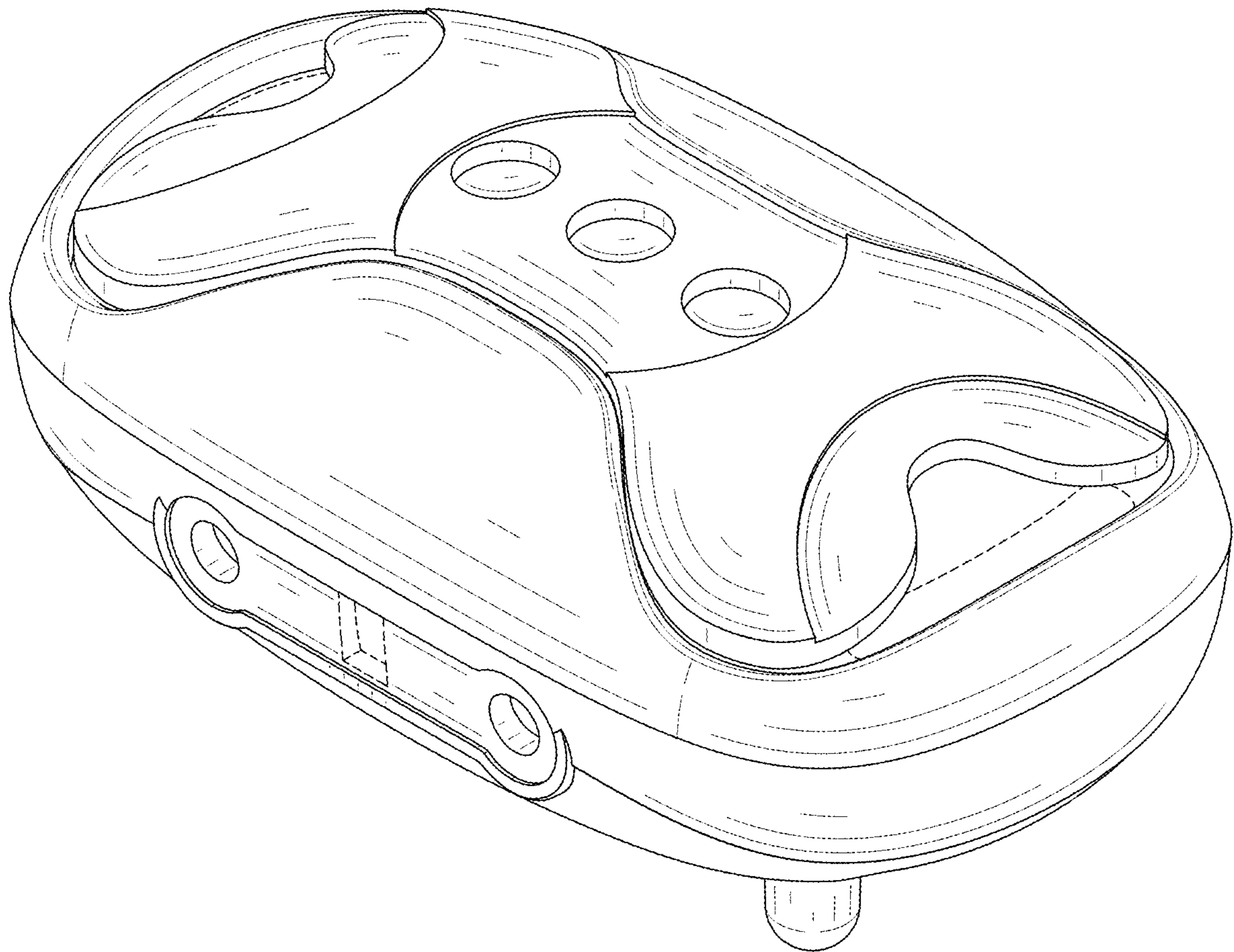


FIG. 1

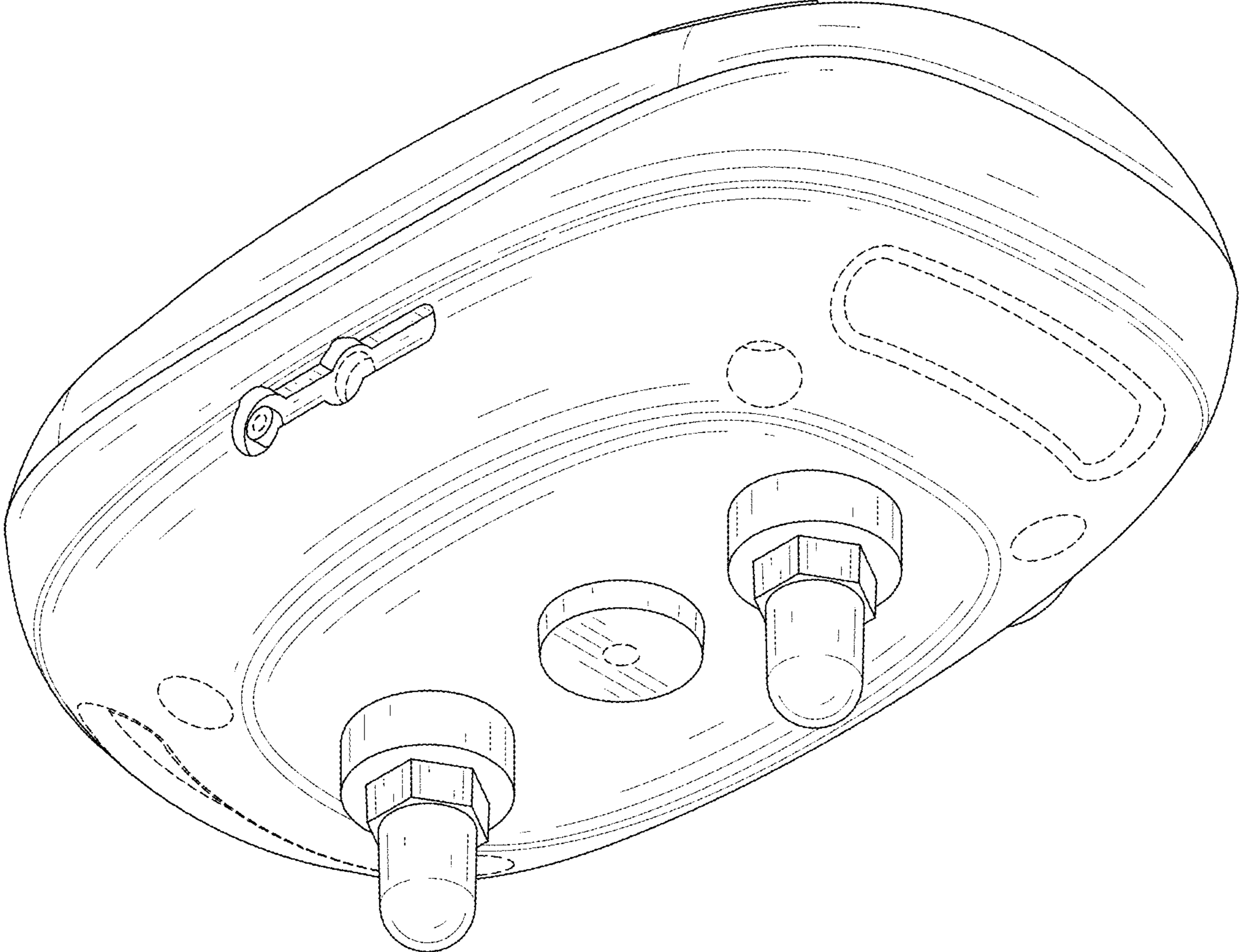


FIG. 2

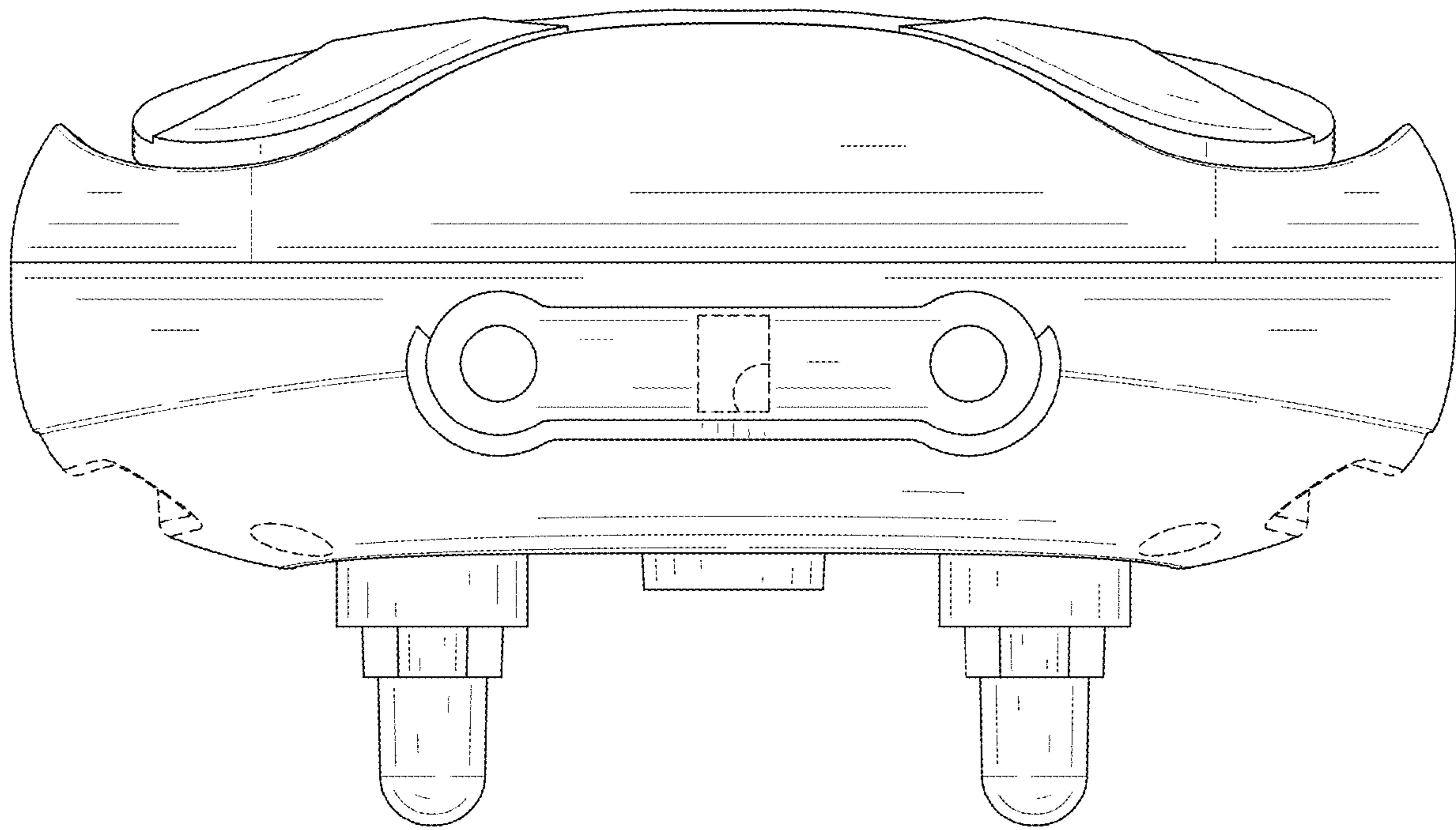


FIG. 3

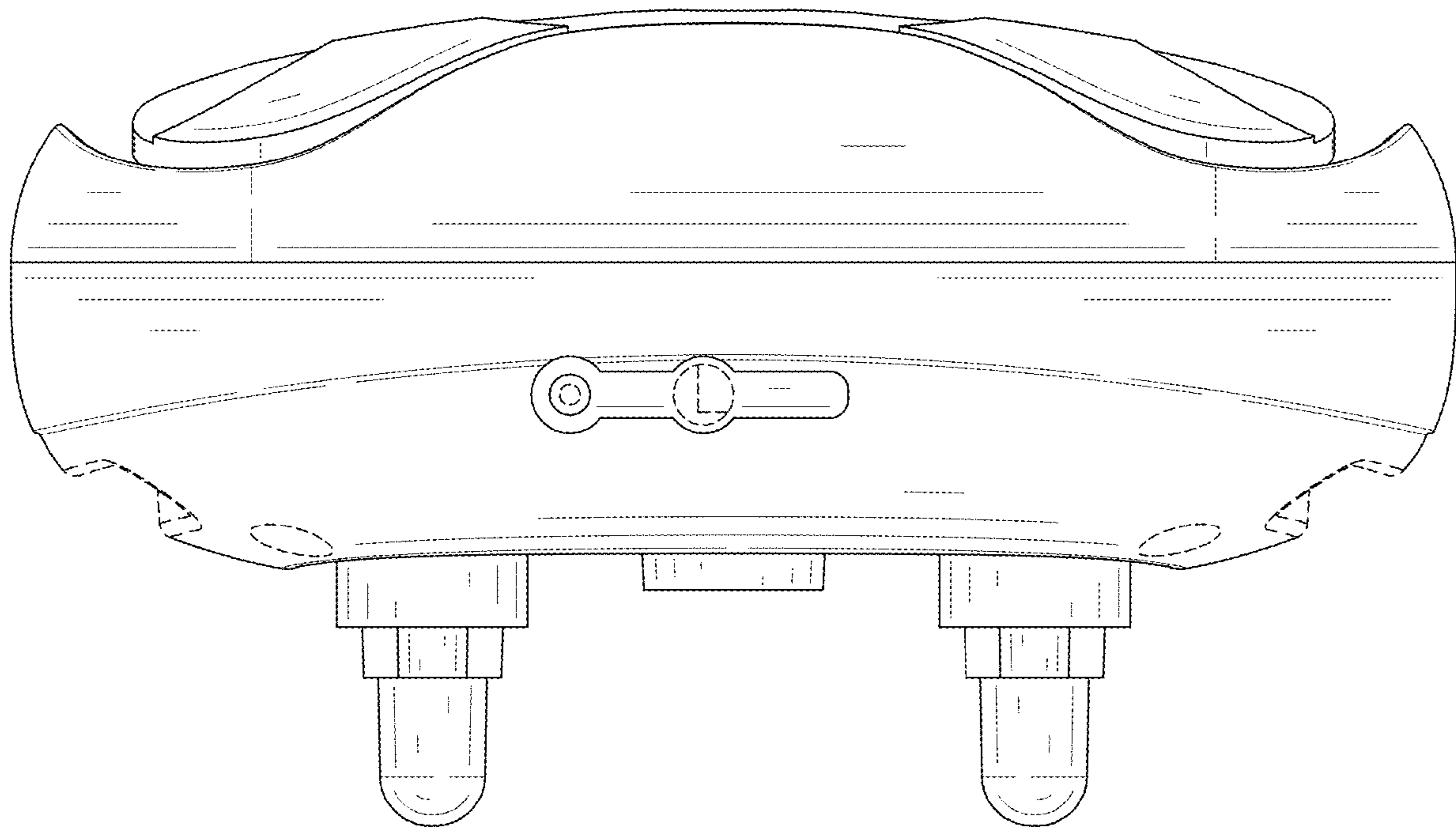


FIG. 4

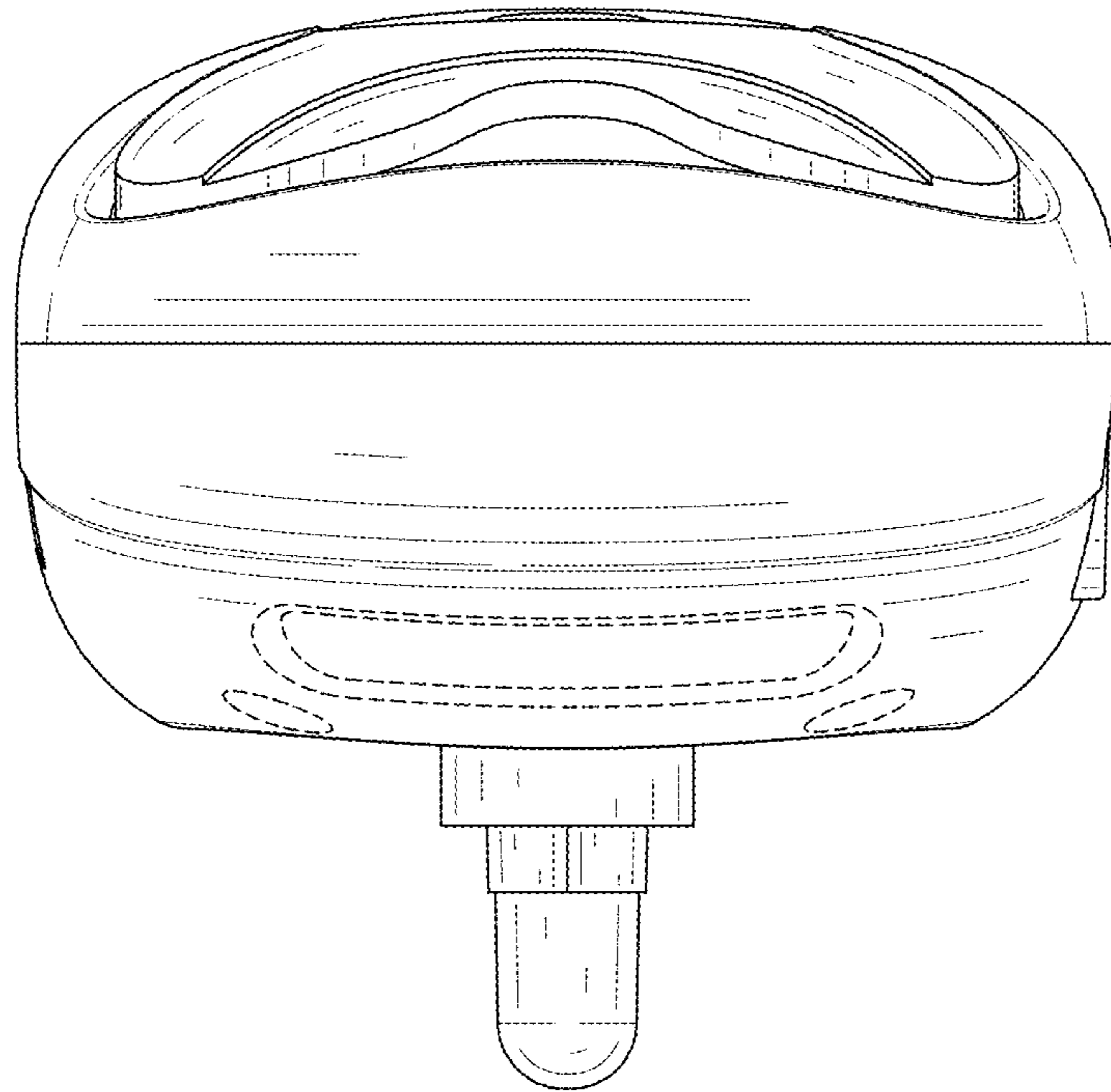


FIG. 5

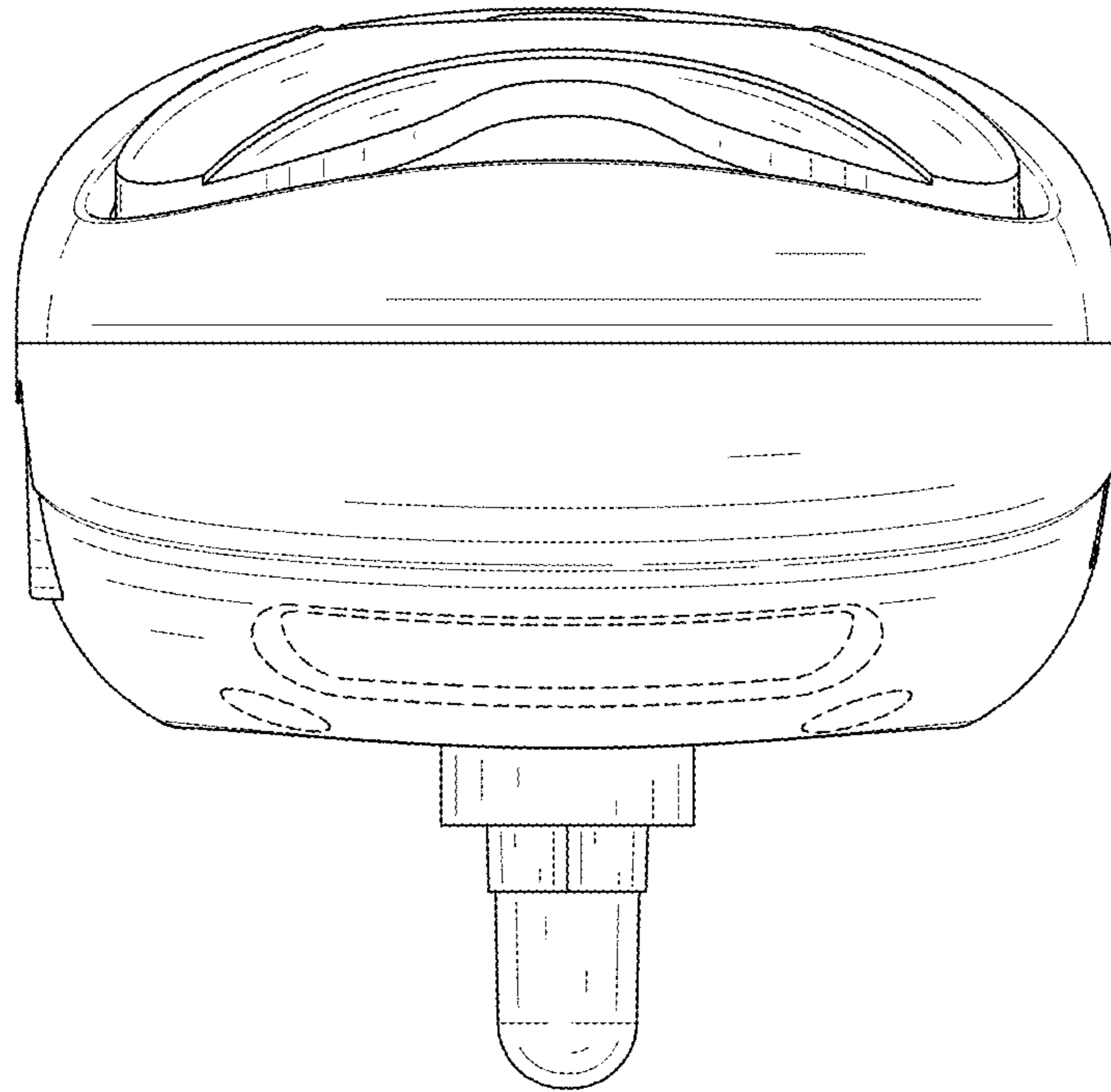


FIG. 6



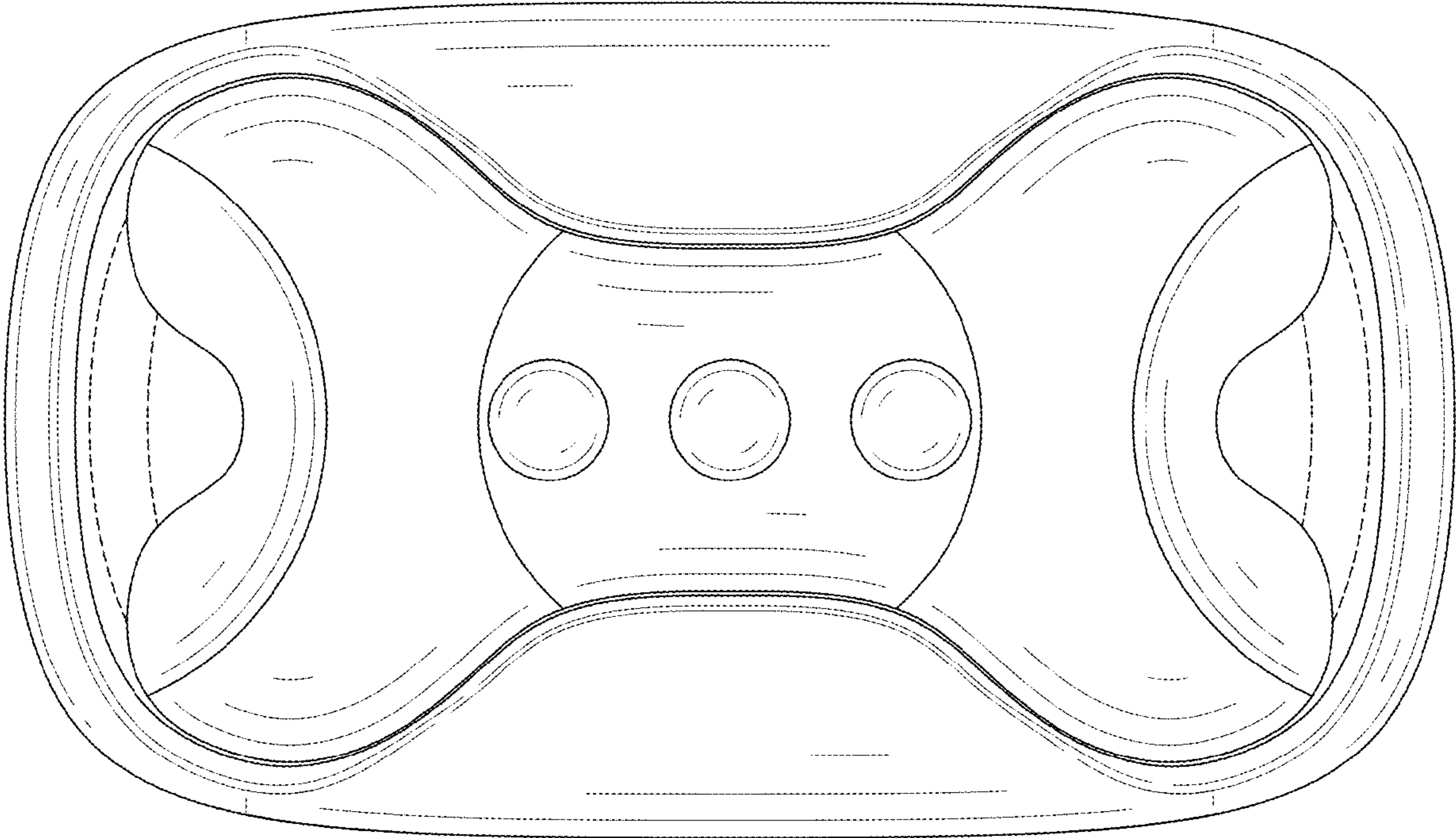


FIG. 7

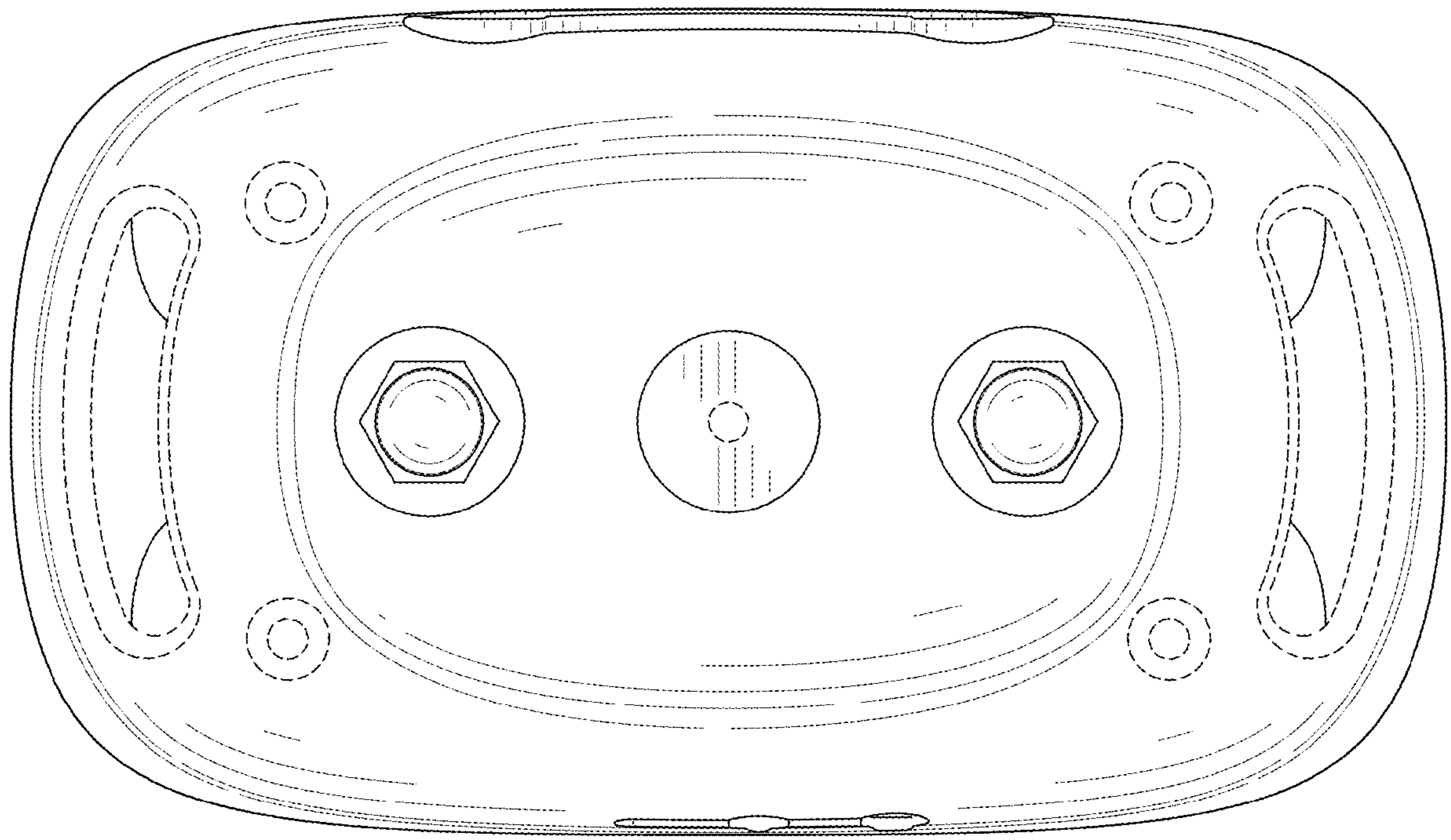


FIG. 8