



US00D971527S

(12) **United States Design Patent** (10) **Patent No.:** **US D971,527 S**
Zhang (45) **Date of Patent:** **** Nov. 29, 2022**

(54) **CAT LITTER PAN**
(71) Applicant: **BEIJING MAKAR PETS PRODUCTS CO., LTD.**, Beijing (CN)

D370,317 S * 5/1996 Kohus 119/161
D373,663 S * 9/1996 Walter D30/161
D399,613 S * 10/1998 O'Rourke D30/161
(Continued)

(72) Inventor: **Guoqiang Zhang**, Beijing (CN)
(73) Assignee: **BEIJING MAKAR PETS PRODUCTS CO., LTD.**, Beijing (CN)

FOREIGN PATENT DOCUMENTS

CN 302867335 * 7/2014
CN 304813565 * 9/2018
JP D1151571 * 9/2002

(**) Term: **15 Years**

OTHER PUBLICATIONS

(21) Appl. No.: **29/755,344**

BBCVTREQA Cat Litter Boxes Double Clamshell, available in Amazon.ca, date first available Dec. 10, 2021 [online], [site visited May 6, 2022], Available from the internet URL: <https://www.amazon.ca/BBCVTREQA-Clamshell-Oversized-Automatic-Intelligent/dp/B09NDK4C83?th=1> (Year: 2021).*

(22) Filed: **Oct. 20, 2020**

(30) **Foreign Application Priority Data**

Jul. 3, 2020 (CN) 202030352383.5

(Continued)

(51) **LOC (13) Cl.** **30-99**

Primary Examiner — Jennifer L Rempfer

(52) **U.S. Cl.**
USPC **D30/161**

Assistant Examiner — Elizabeth Anne Glassberg

(58) **Field of Classification Search**
USPC D30/108–109, 112–120, 161, 162
CPC A01K 1/01; A01K 1/0107; A01K 1/011;
A01K 1/0114; A01K 1/0117; A01K
1/0121; A01K 1/0125; A01K 1/0128;
A01K 1/0132; A01K 1/0135; A01K
1/0139; A01K 1/0142; A01K 1/0236;
A01K 1/0272; A01K 1/029; A01K 1/033;
A01K 1/034; A01K 1/035; A01K 1/0035
See application file for complete search history.

(74) *Attorney, Agent, or Firm* — Bayramoglu Law Offices LLC

(56) **References Cited**

U.S. PATENT DOCUMENTS

D245,348 S * 8/1977 Haviland D30/114
4,161,924 A * 7/1979 Welker A01K 1/033
119/784
D298,371 S * 11/1988 Reynolds D30/161
D300,965 S * 5/1989 Conner D30/161
D370,316 S * 5/1996 Merino 119/164

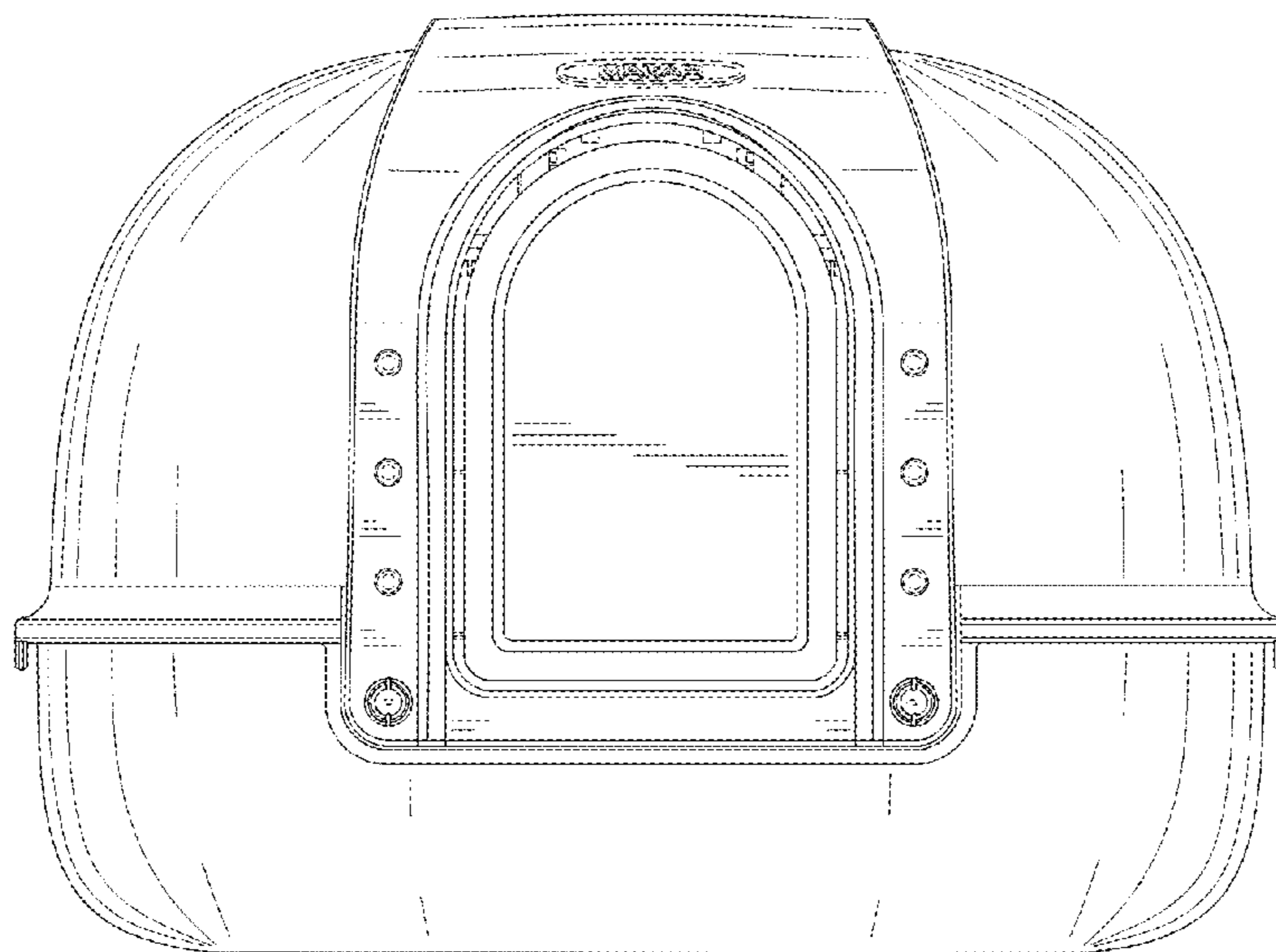
(57) **CLAIM**

The ornamental design for a cat litter pan, as shown and described.

DESCRIPTION

FIG. 1 is a front view of a cat litter pan showing my new design;
FIG. 2 is a rear view thereof;
FIG. 3 is a top view thereof;
FIG. 4 is a bottom view thereof;
FIG. 5 is a right side view thereof;
FIG. 6 is a left side view thereof;
FIG. 7 is a perspective view thereof in closed state; and,
FIG. 8 is a perspective view thereof in one-flap open state.
The broken lines illustrate portions of the cat litter pan that form no part of the claimed design.

1 Claim, 8 Drawing Sheets



(56)

References Cited

U.S. PATENT DOCUMENTS

D467,041	S *	12/2002	Cortes-Reuter	D30/109
D496,501	S *	9/2004	Walter	D30/161
D603,112	S *	10/2009	Pergolski	D30/161
D691,335	S *	10/2013	Zettlemoyer	D30/161
D728,172	S *	4/2015	Matsuo	D30/161
D743,117	S *	11/2015	Shibata	D30/161
D854,260	S *	7/2019	Maeda	D30/161
D858,006	S *	8/2019	Giddings	D30/161
D867,689	S *	11/2019	Veness	D30/161
2004/0177816	A1 *	9/2004	Parr	A01K 1/0114 119/165
2006/0156994	A1 *	7/2006	Sage	A01K 1/0107 119/166
2007/0051323	A1 *	3/2007	Guard	A01K 1/033 119/482
2017/0150696	A1 *	6/2017	Christian	A01K 1/0107
2018/0303057	A1 *	10/2018	Guoqiang	A01K 1/0107
2020/0323166	A1 *	10/2020	Du	A01K 1/0107

OTHER PUBLICATIONS

Corner Litter Box Cat Litter Box Enclosure Hidden Litter Box, available in Amazon.ca, date first available Apr. 28, 2022 [online], [site visited May 6, 2022], Available from the internet URL: <https://www.amazon.ca/Corner-Litter-Enclosure-Hidden-Enclosed/dp/B09Z2F85LN?th=1> (Year: 2022).*

* cited by examiner

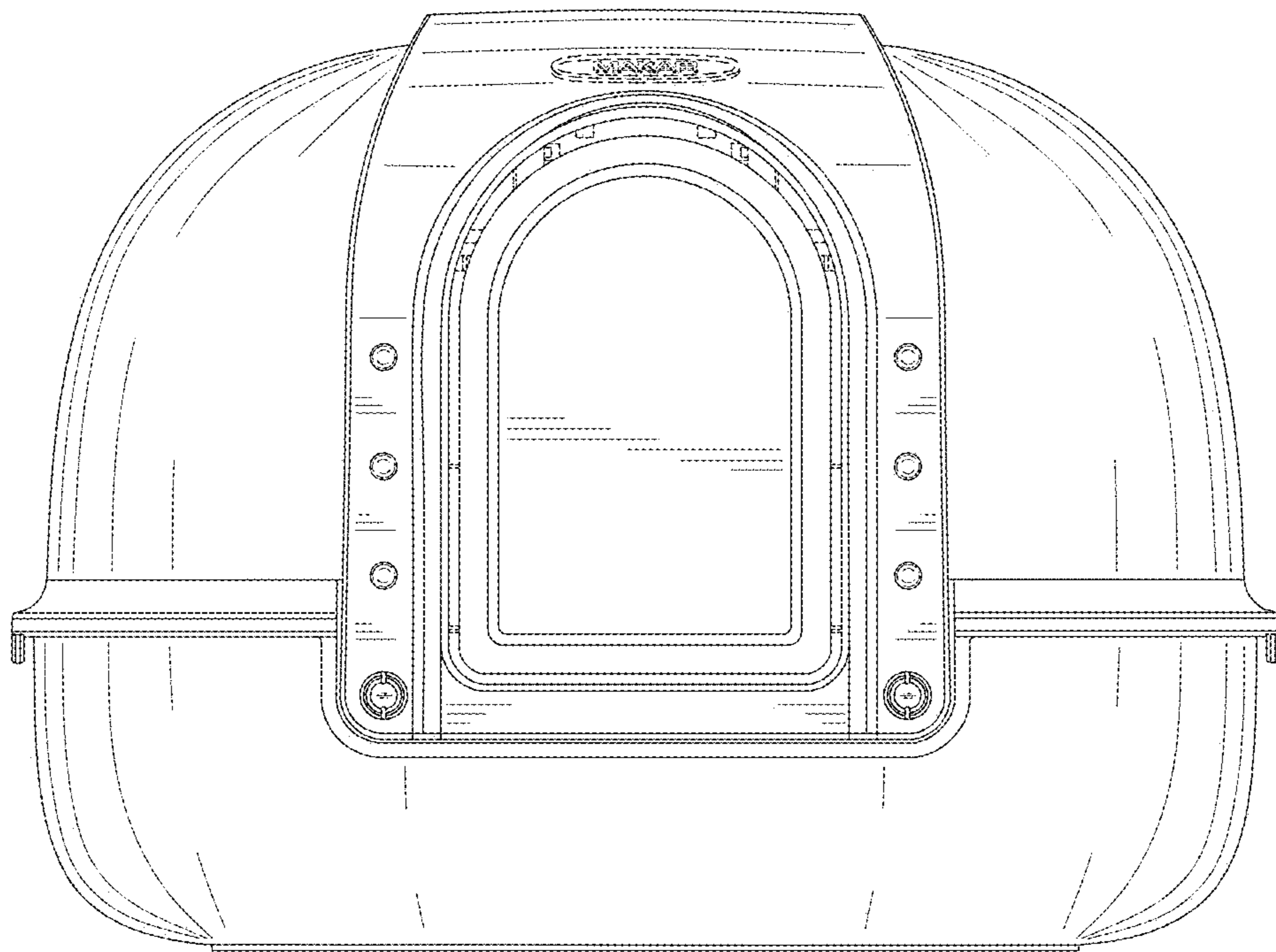


FIG. 1

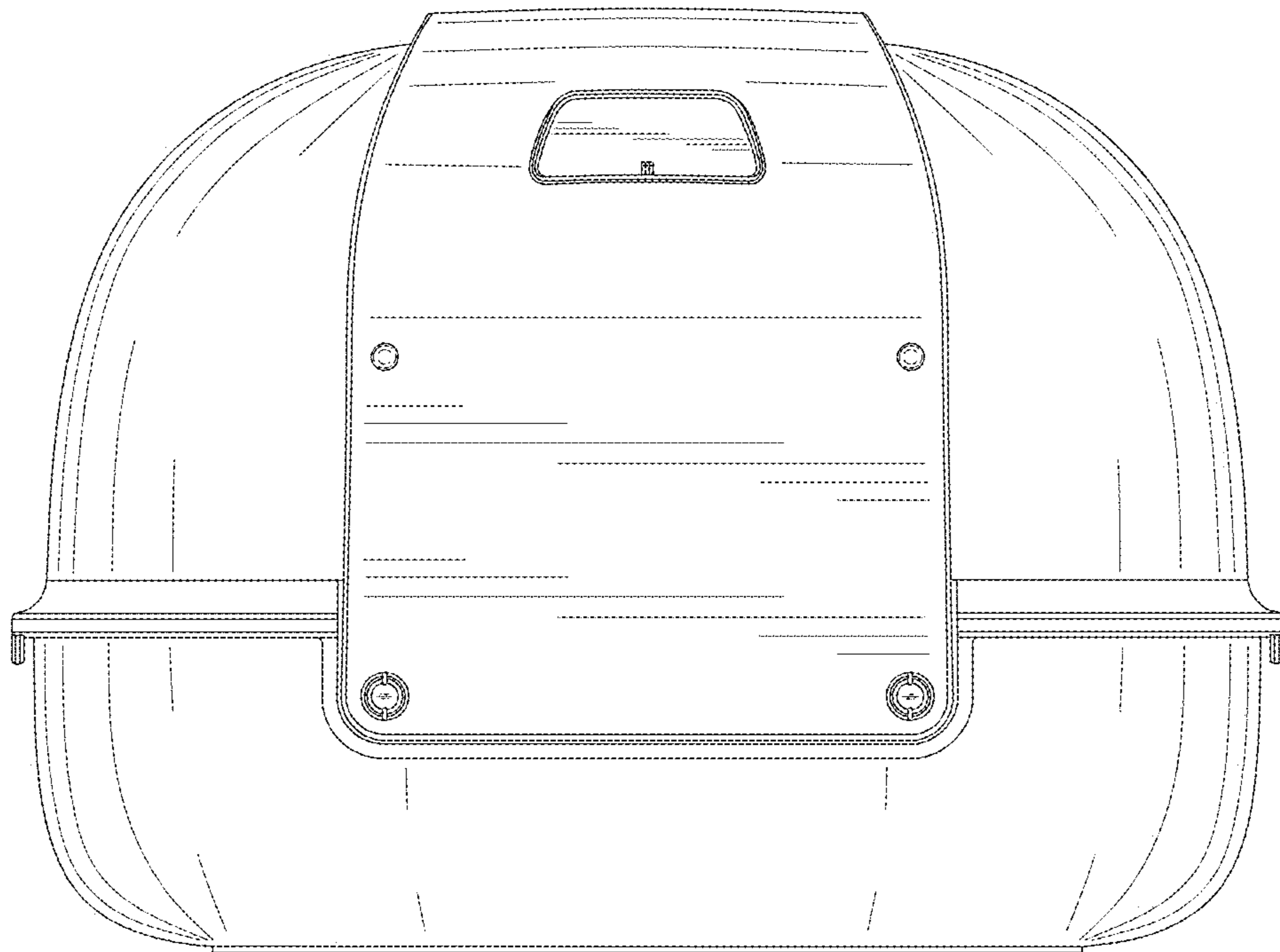


FIG. 2

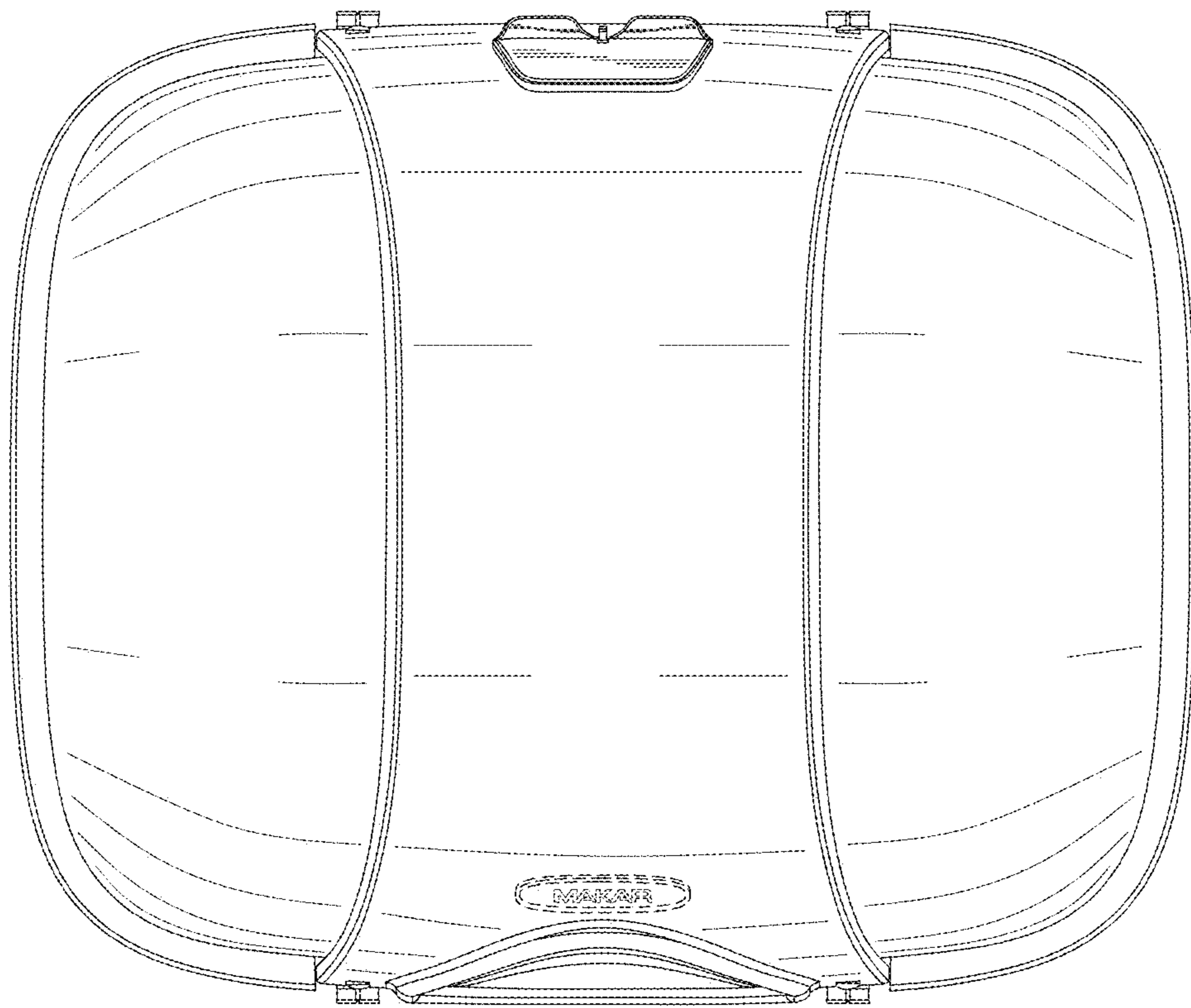


FIG. 3

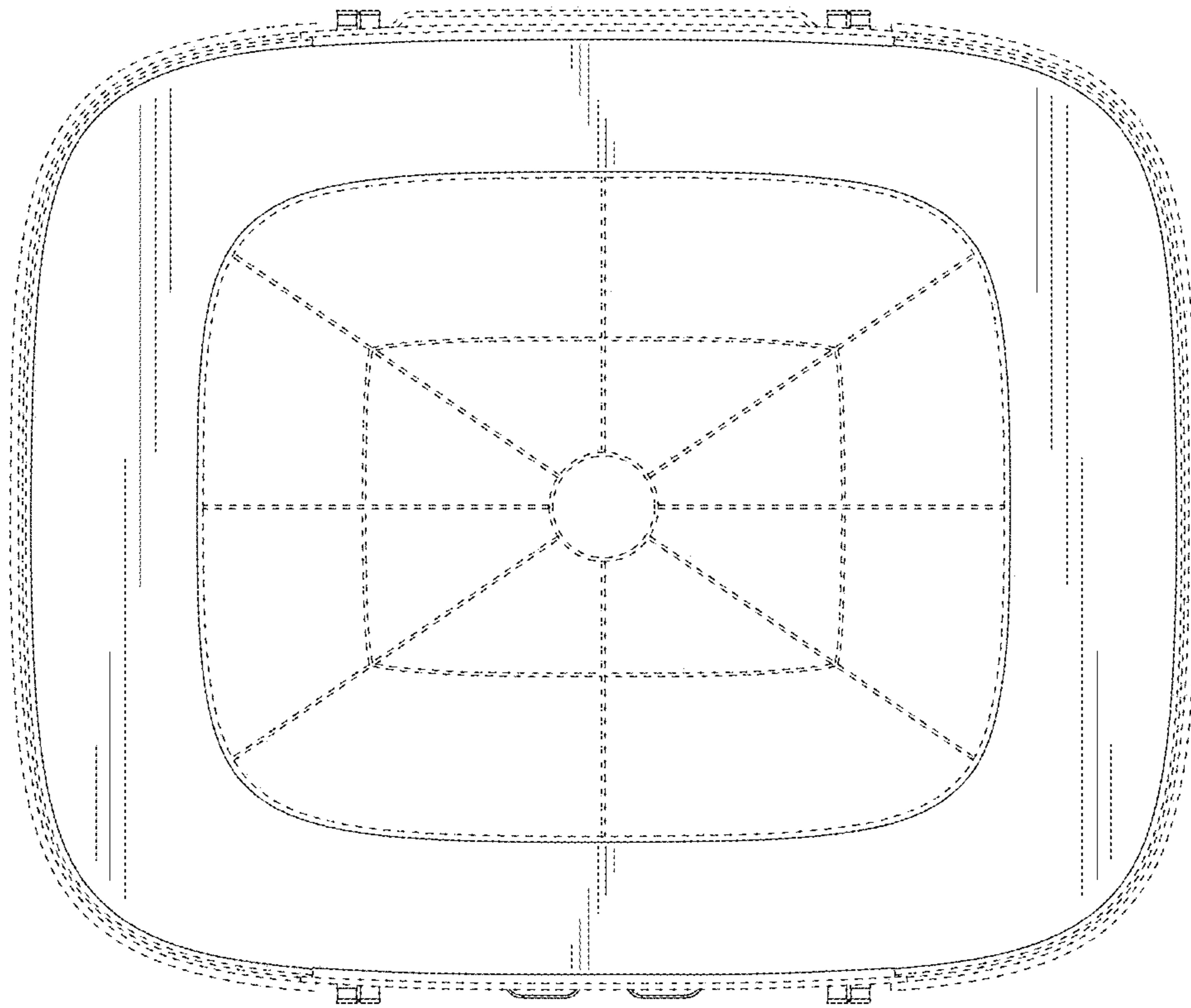


FIG. 4

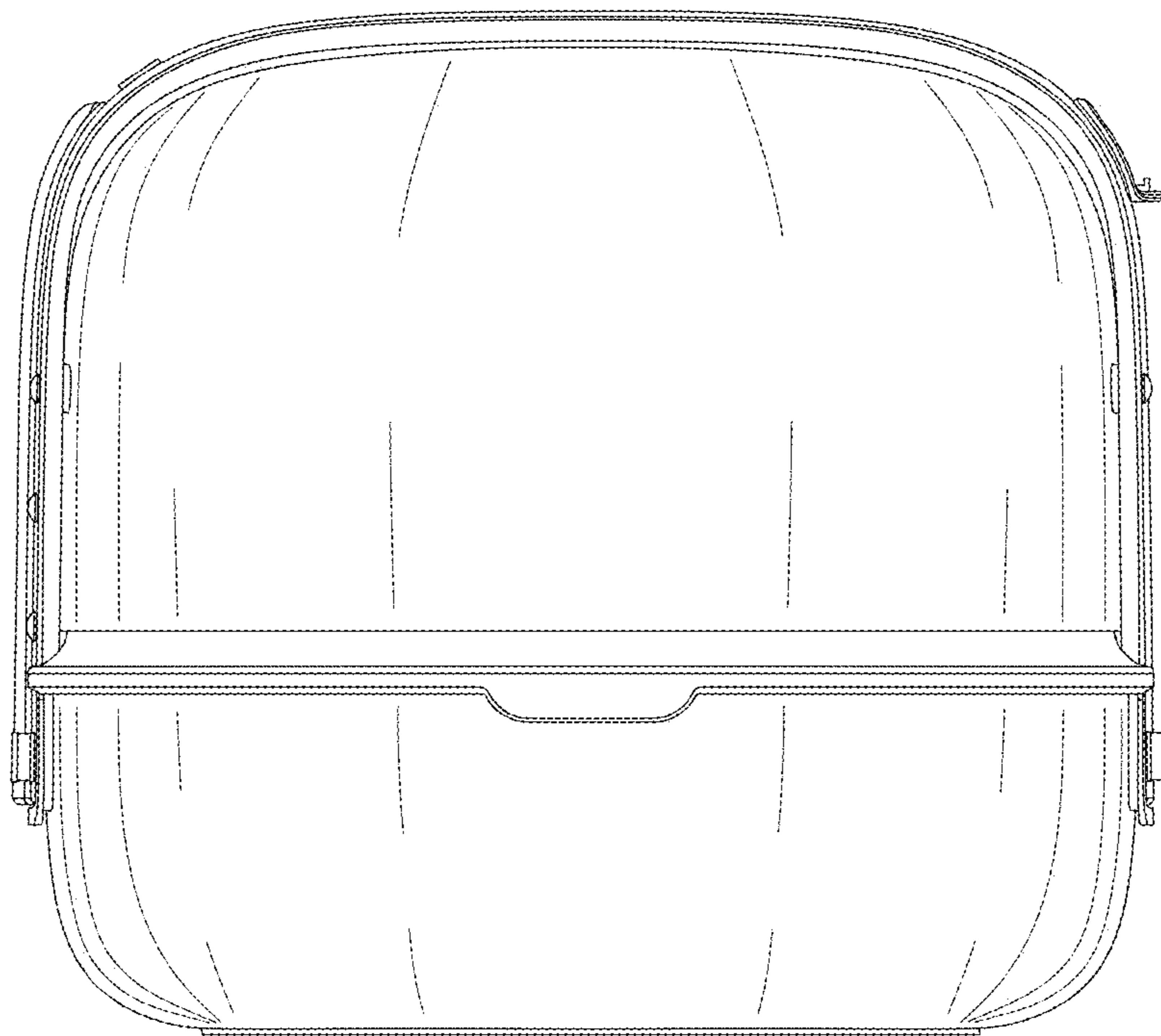


FIG. 5

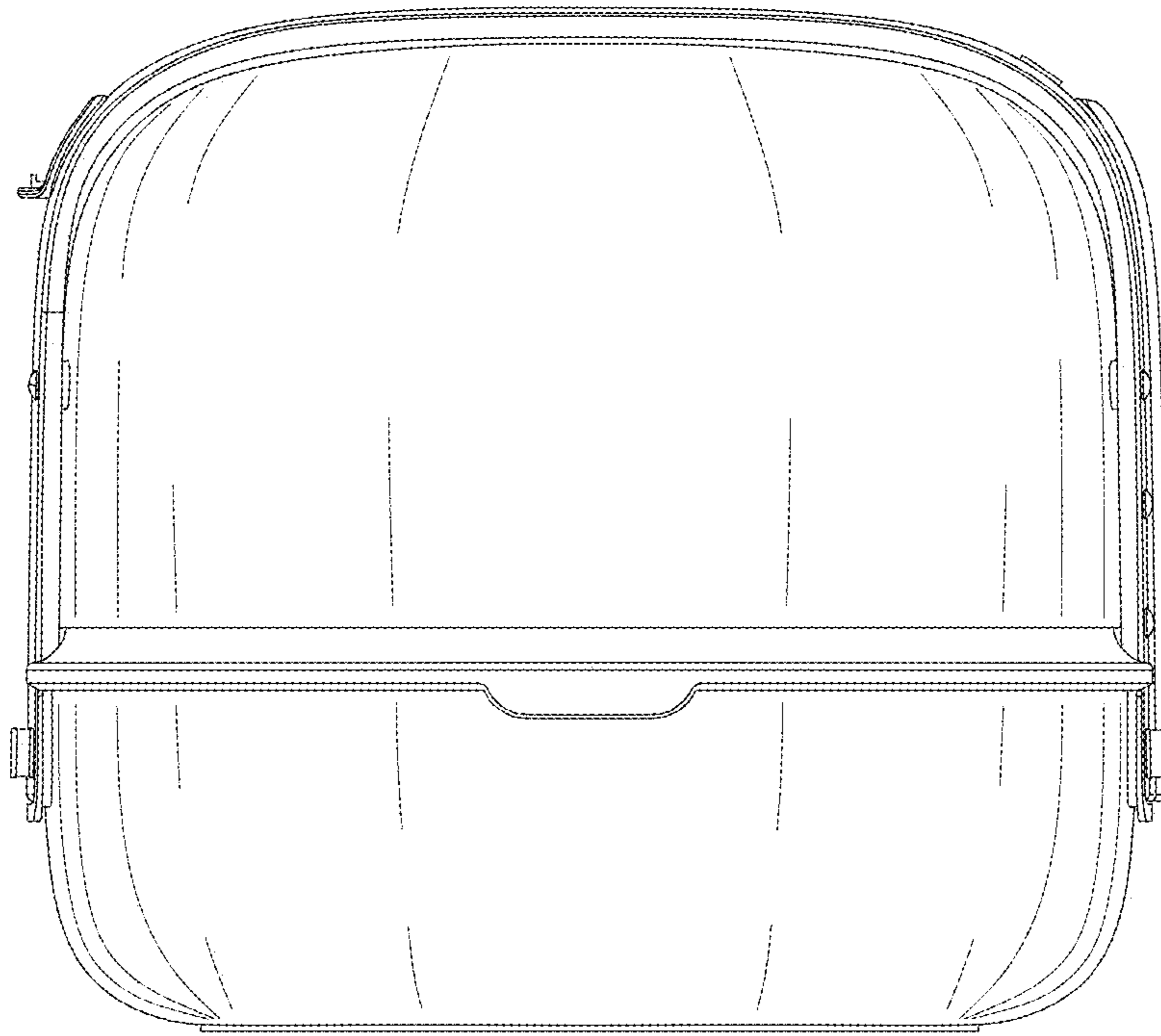


FIG. 6

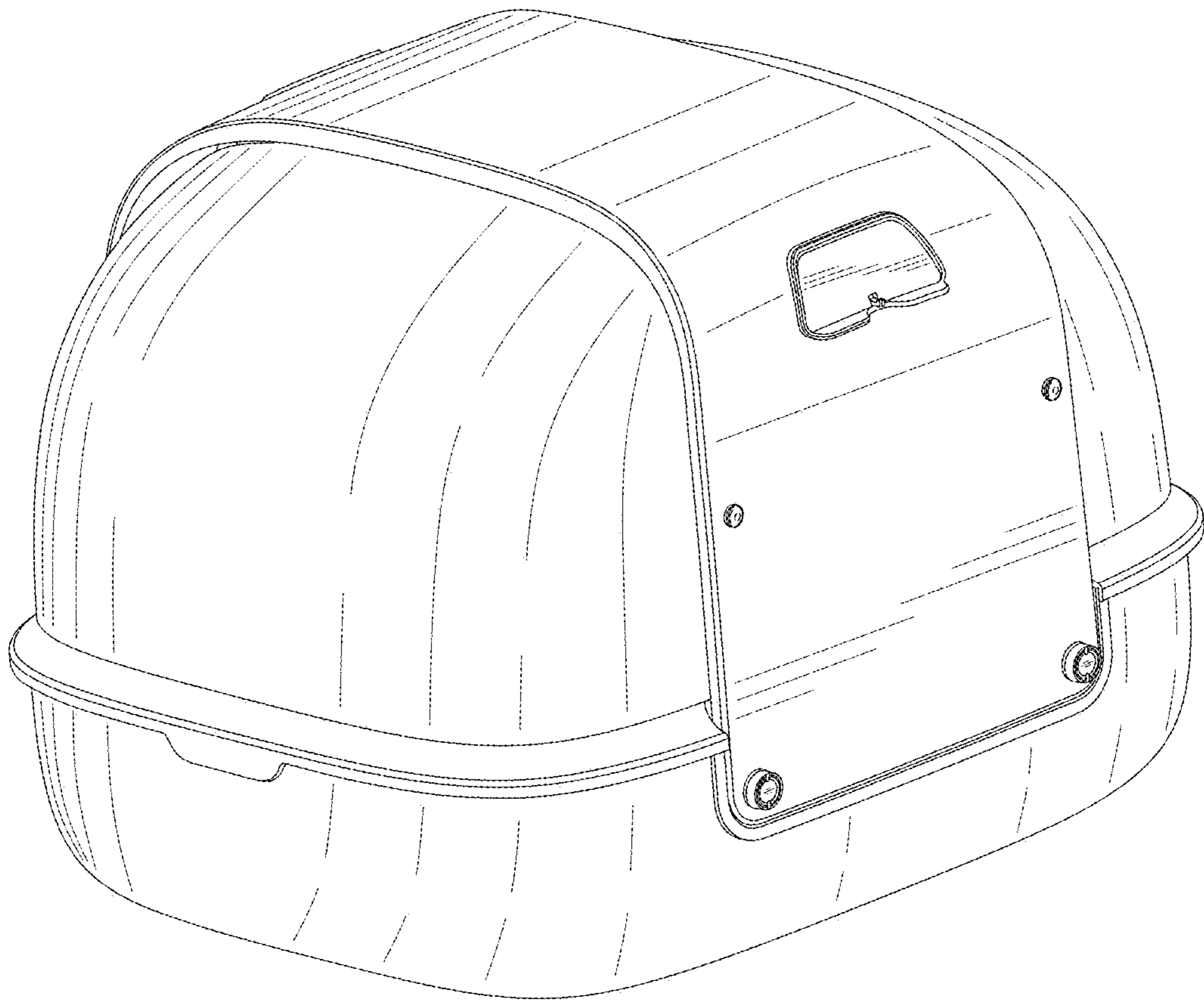


FIG. 7

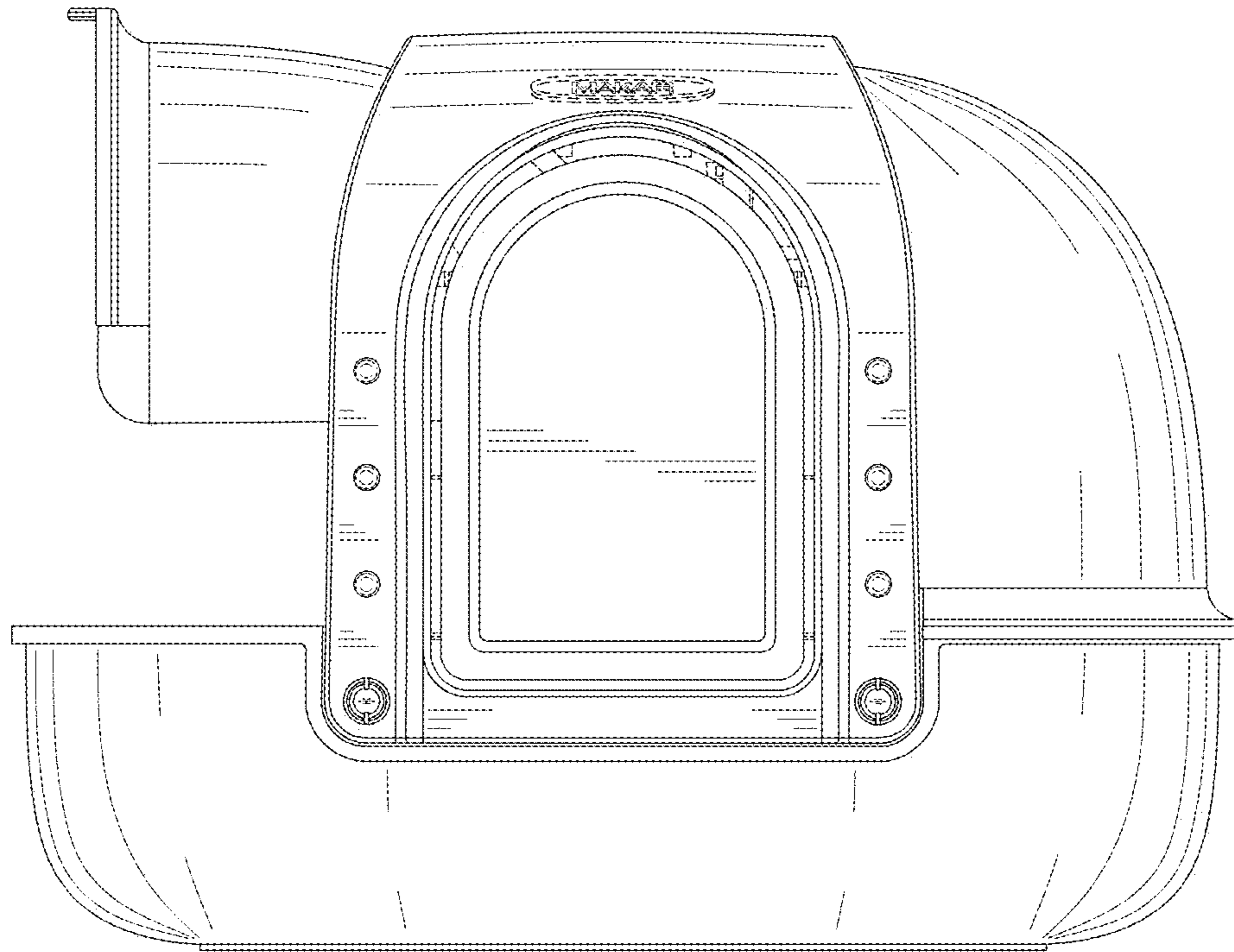


FIG. 8