



US00D971525S

(12) **United States Design Patent** (10) **Patent No.:** **US D971,525 S**
Li (45) **Date of Patent:** **** Nov. 29, 2022**

(54) **PET LEASH**

FOREIGN PATENT DOCUMENTS

(71) Applicant: **DONGGUAN SHENGHE PLASTIC TECHNOLOGY CO., LTD.**,
Dongguan (CN)

CN 304988477 * 1/2019
CN 307127657 * 2/2022

(Continued)

(72) Inventor: **Jiixin Li**, Maoming (CN)

OTHER PUBLICATIONS

(73) Assignee: **DONGGUAN SHENGHE PLASTIC TECHNOLOGY CO., LTD.**,
Dongguan (CN)

Dog Leash with LED Light, available in Amazon.com, date first available Mar. 17, 2022 [online], [site visited Jul. 20, 2022], Available from the internet URL: <https://www.amazon.com/Adjustable-Anti-Slip-Ergonomic-Wearable-Walking/dp/B09VSV2FSS?th=1> (Year: 2022).*

(**) Term: **15 Years**

(Continued)

(21) Appl. No.: **29/805,864**

Primary Examiner — Jennifer L Rempfer

(22) Filed: **Aug. 31, 2021**

Assistant Examiner — Elizabeth Anne Glassberg

(51) **LOC (13) Cl.** **30-04**

(57) **CLAIM**

(52) **U.S. Cl.**
USPC **D30/153**

The ornamental design for a pet leash, as shown and described.

(58) **Field of Classification Search**
USPC D10/72; D19/69; D26/79, 106;
D30/145, 152, 153
CPC A01K 25/00; A01K 27/00; A01K 27/001;
A01K 27/002; A01K 27/003; A01K
27/004; A01K 27/005
See application file for complete search history.

DESCRIPTION

(56) **References Cited**

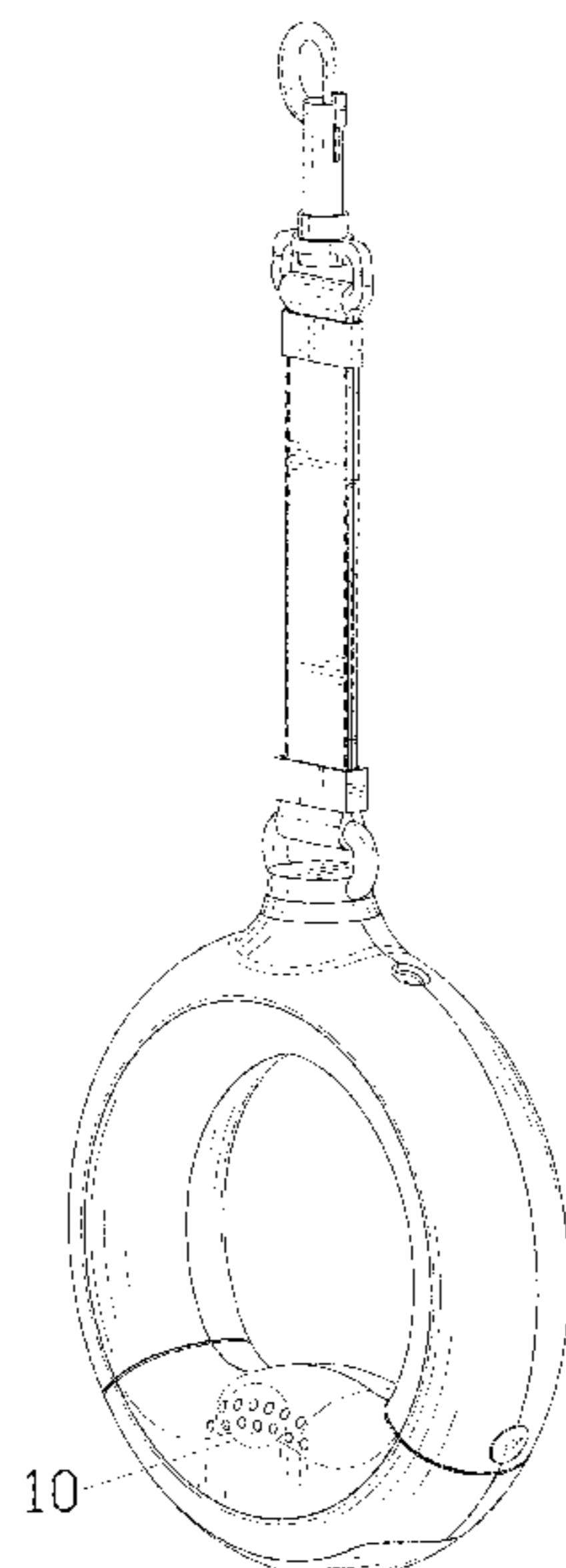
U.S. PATENT DOCUMENTS

D448,892 S * 10/2001 Hans A01K 27/004
D30/153
D560,522 S * 1/2008 Farnworth A01K 1/04
D10/72
D592,249 S * 5/2009 Chang A01K 27/004
D19/69
D595,852 S 7/2009 Wilkens
D610,315 S * 2/2010 Lopusnak A01K 27/004
D30/153

FIG. 1 is a perspective view of a pet leash showing my new design;
FIG. 2 is another perspective view thereof;
FIG. 3 is a front elevational view thereof;
FIG. 4 is a rear elevational view thereof;
FIG. 5 is a left side elevational view thereof;
FIG. 6 is a right side elevational view thereof;
FIG. 7 is a top plan view thereof;
FIG. 8 is a bottom plan view thereof;
FIG. 9 is a perspective view of the pet leash where the pet leash is in a configuration of use; and,
FIG. 10 is an enlarged view of portion 10 shown in FIG. 1. The dash-dash broken lines in the drawings depict portions of the pet leash that form no part of the claimed design. The dot-dash broken lines represent the boundary of the enlarged portion and form no part of the claimed design.

(Continued)

1 Claim, 10 Drawing Sheets



(56)

References Cited

U.S. PATENT DOCUMENTS

D616,941 S * 6/2010 Bradfield A01K 27/006
D19/69
D634,461 S * 3/2011 Mattheis A01K 27/004
D30/153
D650,952 S * 12/2011 Kaneko D30/153
D694,963 S * 12/2013 Daniels D30/153
D845,493 S * 4/2019 Sudell
D879,389 S * 3/2020 Giesen D30/153
D903,185 S * 11/2020 Li D26/106
D932,681 S * 10/2021 Chen A01K 27/004
D26/104
11,357,213 B2 * 6/2022 Saukko A01K 27/004
2008/0006223 A1 * 1/2008 Sugalski A01K 27/006
119/795
2008/0105214 A1 * 5/2008 Moulton A01K 1/04
119/796
2009/0217886 A1 * 9/2009 Lopusnak A01K 27/004
119/796
2010/0302767 A1 * 12/2010 Mattheis F21V 21/406
362/184
2014/0000533 A1 * 1/2014 Limberis A01K 27/006
119/796
2017/0142936 A1 * 5/2017 Louro A01K 27/005
2018/0242557 A1 * 8/2018 Woods A01K 27/004

2019/0082658 A1 * 3/2019 Catena A01K 27/004
2019/0141958 A1 * 5/2019 Price A01K 27/004
119/796
2021/0045357 A1 * 2/2021 Alexander A01K 27/004

FOREIGN PATENT DOCUMENTS

KR 301096356 * 2/2021
KR 301077279 * 3/2022

OTHER PUBLICATIONS

Furiends Retractable Wearable Dog Leash with Bright LED Light, available in Amazon.com, date first available Jun. 9, 2021 [online], [site visited Jul. 20, 2022], Available from the internet URL: <https://www.amazon.com/Furiends-Retractable-Wearable-Rechargeable-Traction/dp/B096XVQ7KT> (Year: 2021).*

Retractable Dog Leash 10 Ft, available in Amazon.com, date first available Oct. 8, 2020 [online], [site visited Jul. 20, 2022], Available from the internet URL: https://www.amazon.com/WAUDOG-Retractable-Dog-Leash-One-Handed/dp/B08HGZRYZS?ref_=ast_sto_dp (Year: 2020).*

Dewanxin for Xiaomi MOESTAR Retractable Dog Leash Ring LED, available in Amazon.co.uk, date first available Aug. 10, 2019 [online], [site visited Aug. 15, 2022], Available from the internet URL: <https://www.amazon.co.uk/Dewanxin-MOESTAR-Retractable-Lighting-Flexible/dp/B07W61MVP7> (Year: 2019).*

* cited by examiner

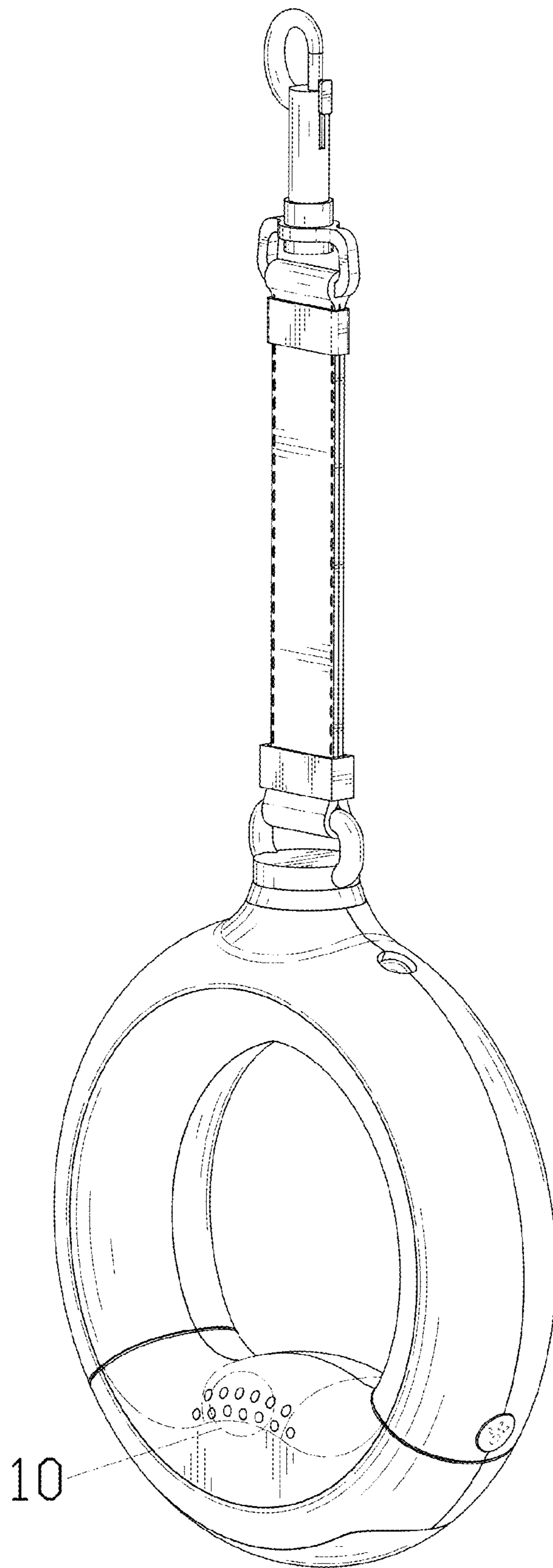


FIG. 1

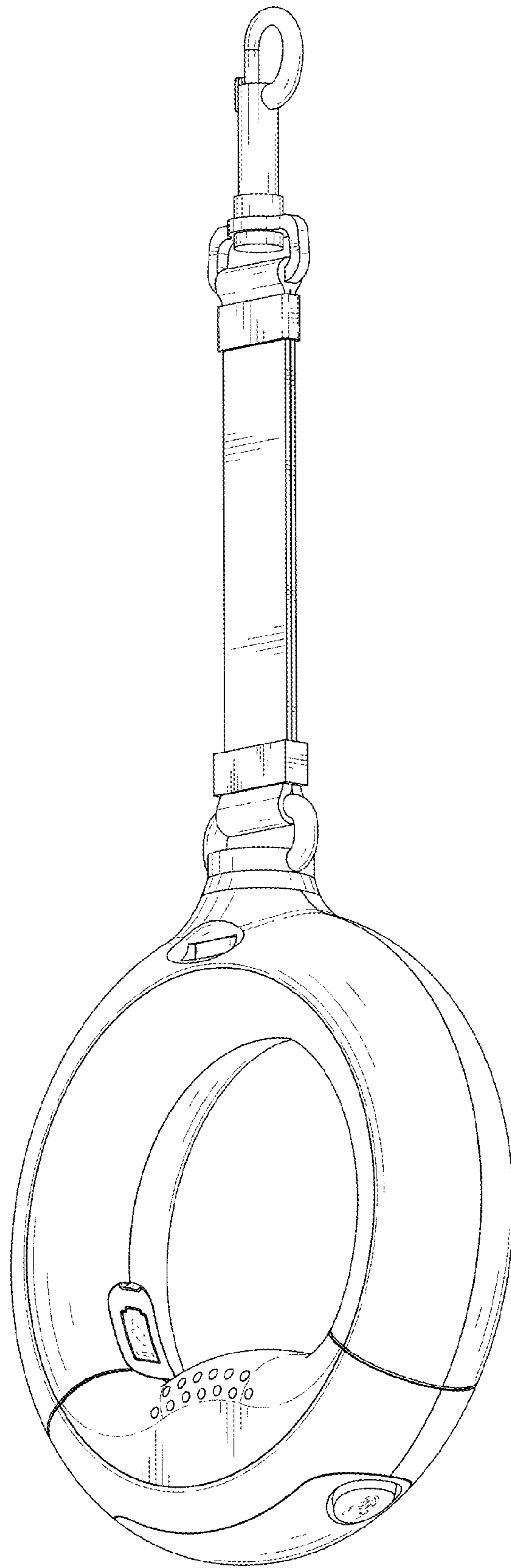


FIG. 2

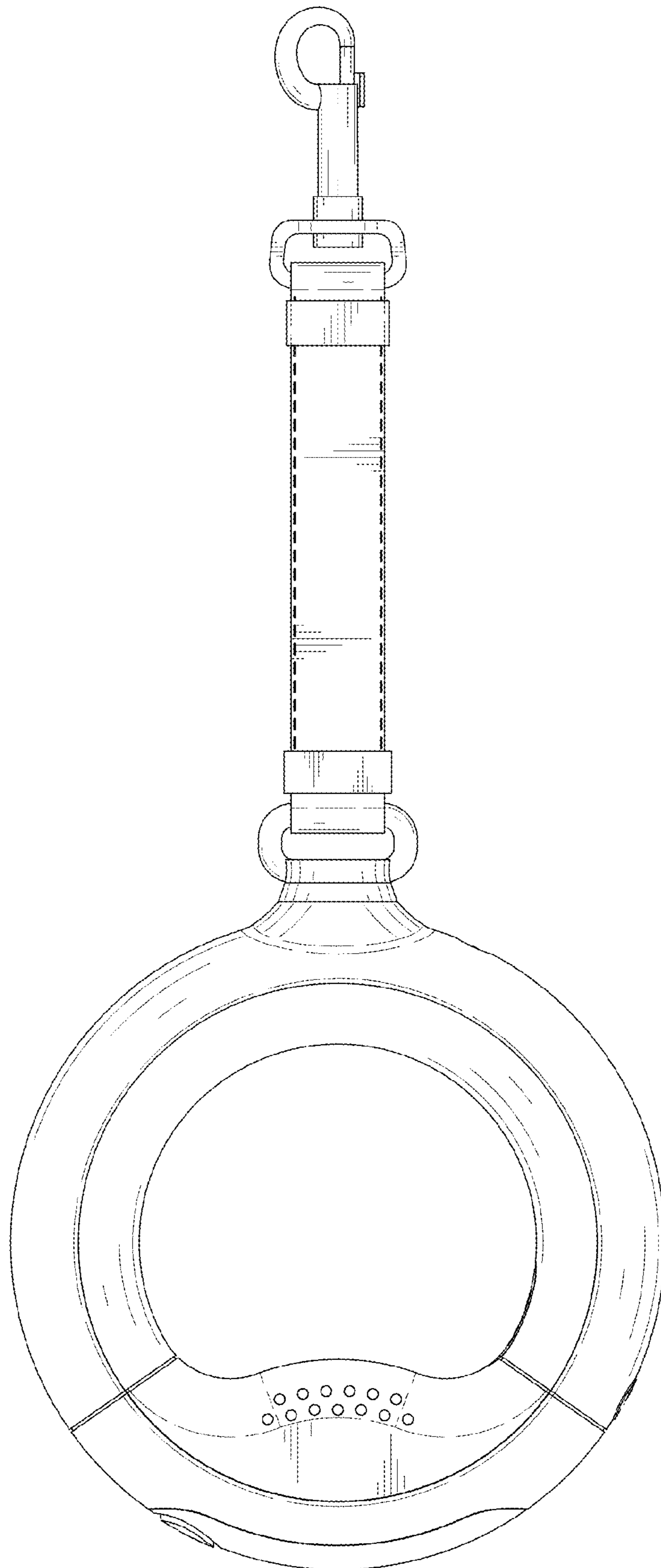


FIG. 3

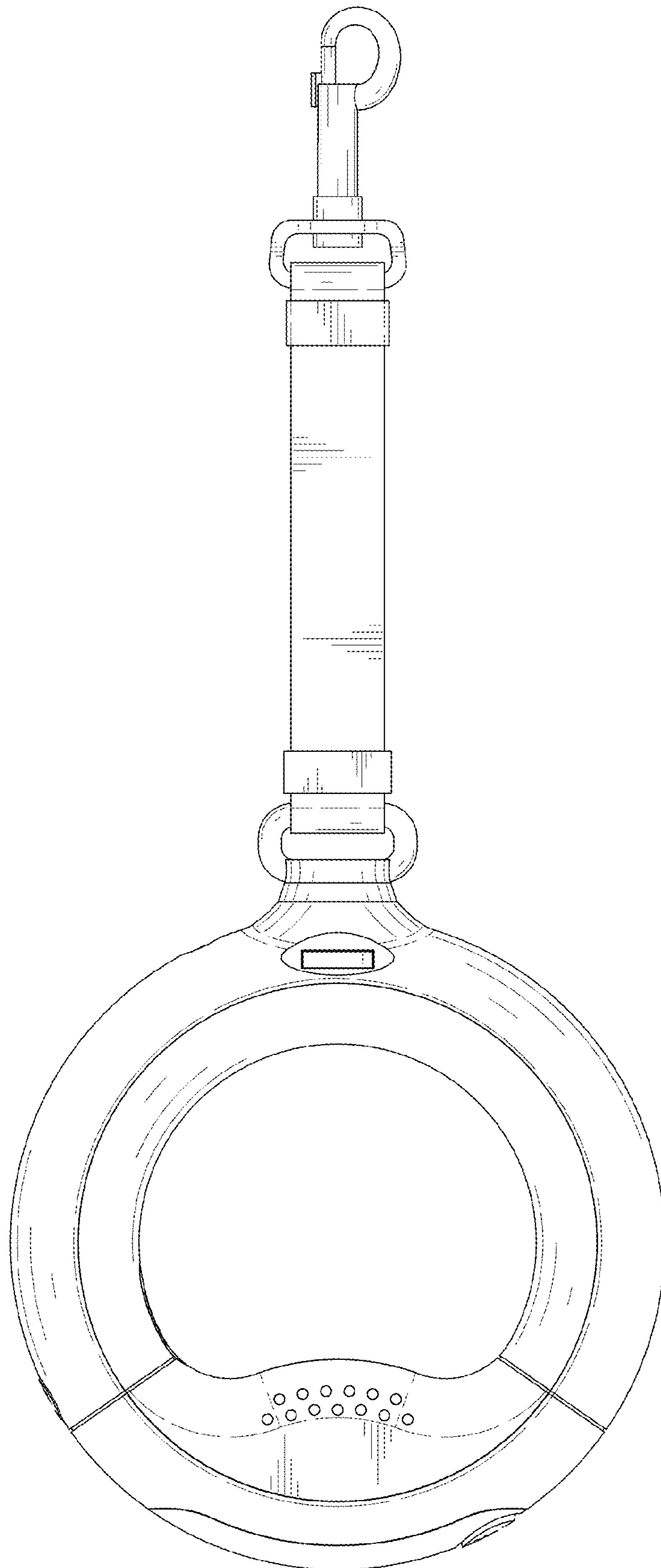


FIG. 4

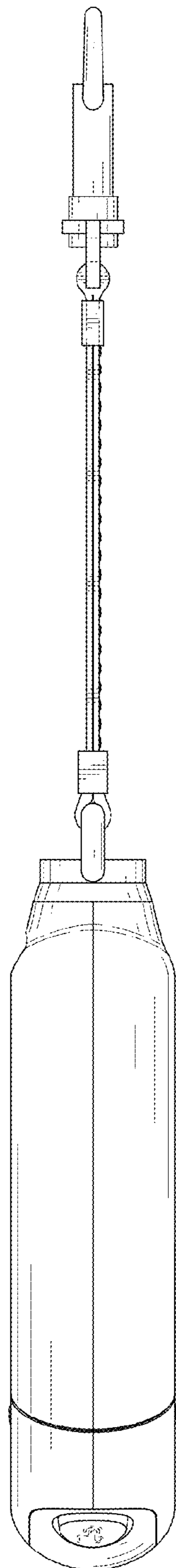


FIG. 5

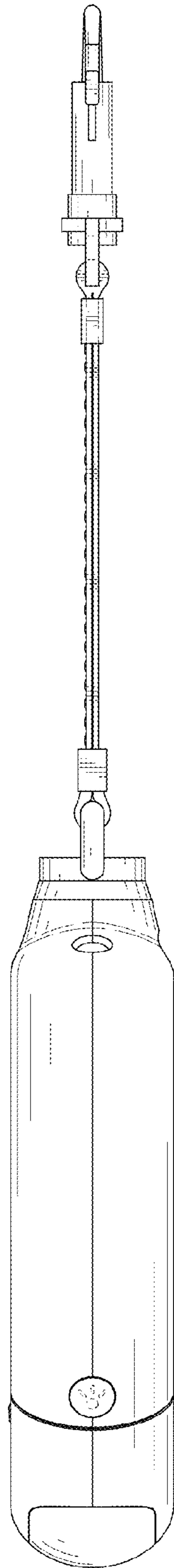


FIG. 6

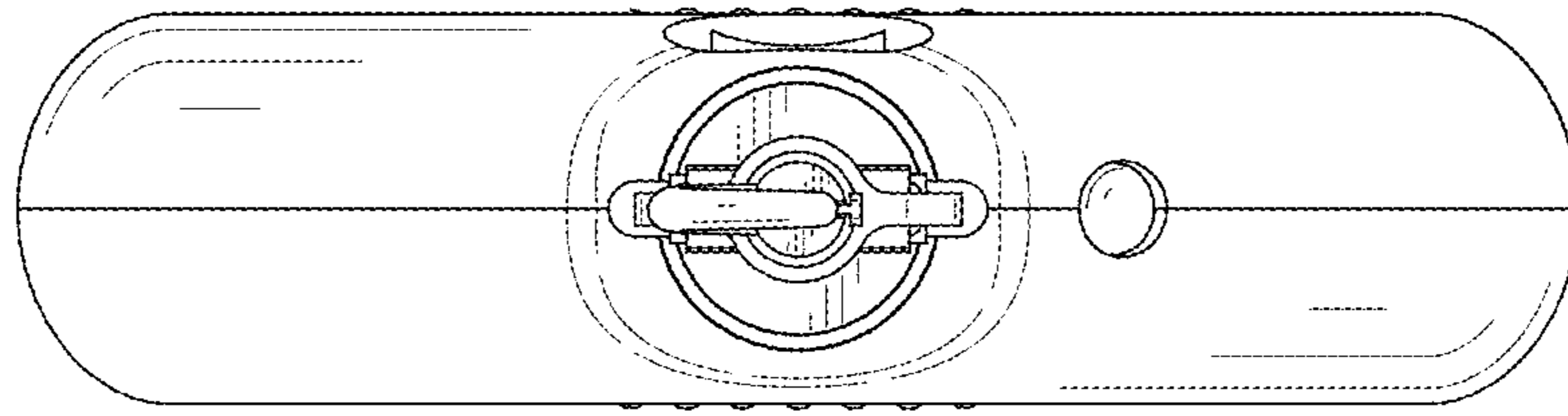


FIG. 7

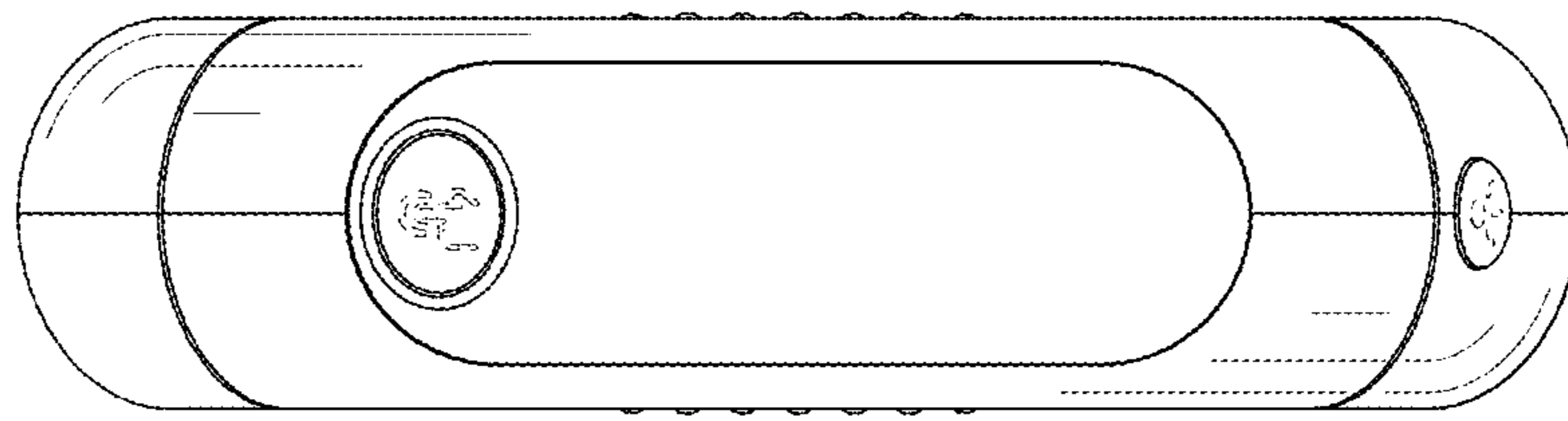


FIG. 8

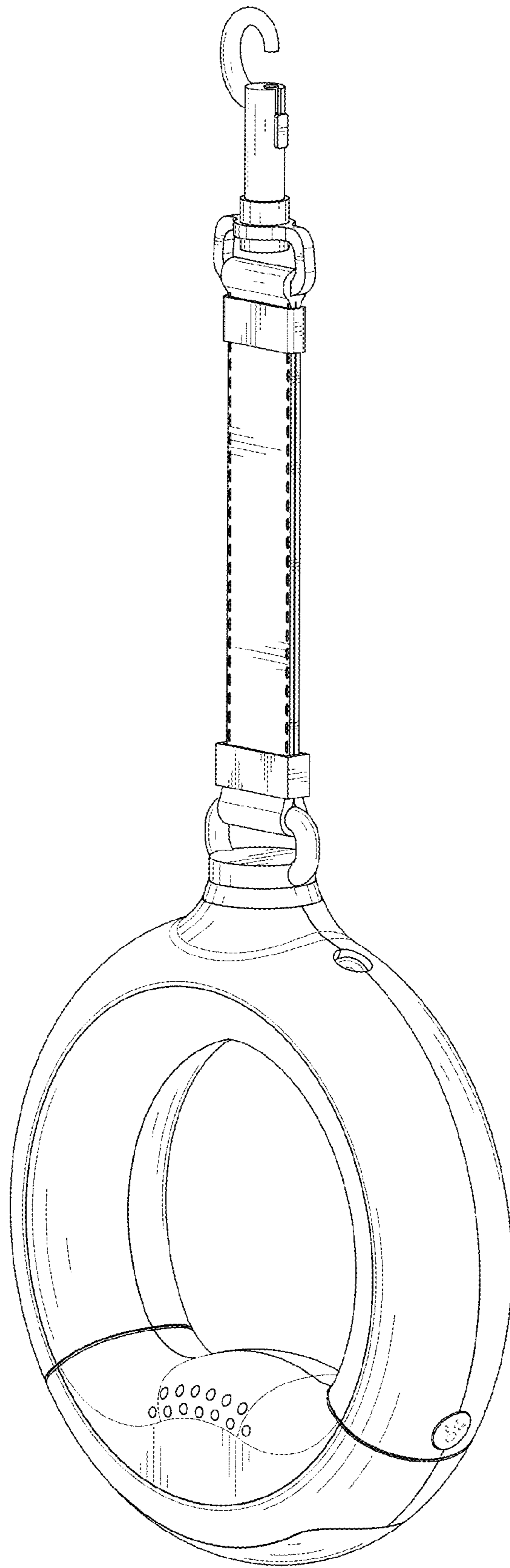


FIG. 9

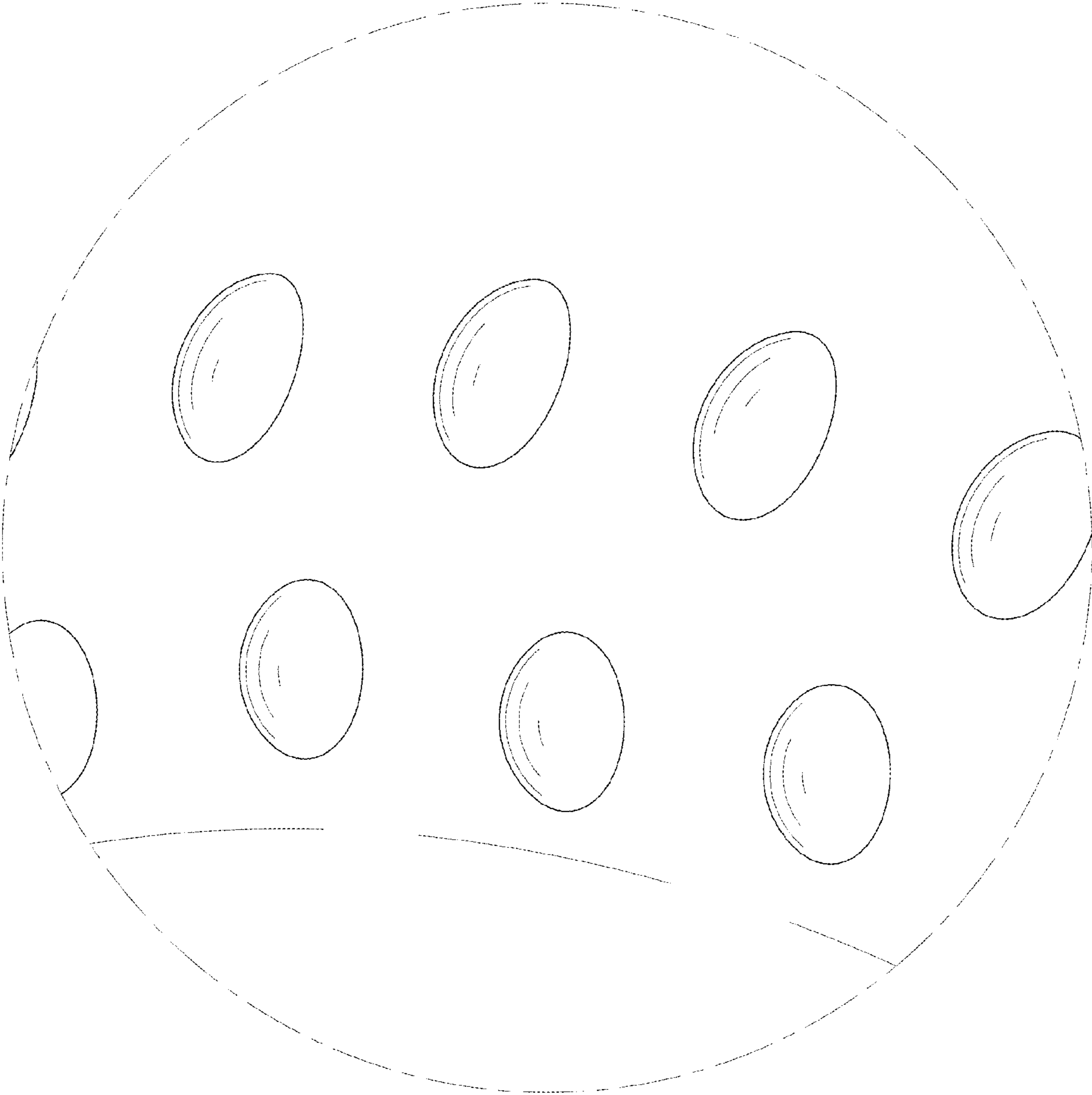


FIG. 10