

US00D971524S

(12) **United States Design Patent** (10) **Patent No.:** **US D971,524 S**  
**Swartz** (45) **Date of Patent:** **\*\* Nov. 29, 2022**

(54) **REFLECTIVE DOG LEASH**

FOREIGN PATENT DOCUMENTS

(71) Applicant: **Lifetime Brands, Inc.**, Garden City, NY (US)

CN 302876708 \* 7/2014  
CN 305100404 \* 4/2019

(72) Inventor: **John Roscoe Swartz**, Ridgewood, NJ (US)

OTHER PUBLICATIONS

(73) Assignee: **Lifetime Brands, Inc.**, Garden City, NY (US)

Kruz Pet KZV5048-03L 4\_ Long Reflective Heavy Duty Click Lock Hook Leash, available in Amazon.ca, date first available Sep. 26, 2018 [online], [site visited Jun. 27, 2022], Available from the internet URL: <https://www.amazon.ca/KRUZ-PET-KZV5048-03L-Reflective-Heavy/dp/B07FTSYT9G?th=1> (Year: 2018).\*

(\*\*) Term: **15 Years**

(Continued)

(21) Appl. No.: **29/768,212**

(22) Filed: **Jan. 28, 2021**

*Primary Examiner* — Jennifer L Rempfer

*Assistant Examiner* — Elizabeth Anne Glassberg

(51) **LOC (13) Cl.** ..... **30-04**

(74) *Attorney, Agent, or Firm* — Tutunjian & Bitetto, P.C.

(52) **U.S. Cl.**

USPC ..... **D30/153**

(58) **Field of Classification Search**

USPC ..... D30/145, 152, 153

CPC ..... A01K 25/00; A01K 27/00; A01K 27/001;

A01K 27/002; A01K 27/003; A01K

27/004; A01K 27/005

See application file for complete search history.

(57) **CLAIM**

The ornamental design for a reflective dog leash, as shown and described.

**DESCRIPTION**

FIG. 1 is a plan view of the operation of the reflective dog leash showing my new design;

FIG. 2 is a perspective view thereof;

FIG. 3 is an enlarged view of the section 3 shown in FIG. 2 showing one side thereof;

FIG. 4 is an enlarged view of the section 4 shown in FIG. 2 showing the opposing side thereof;

FIG. 5 is a front view thereof; and,

FIG. 6 is a rear view thereof.

The broken lines on the reflective dog leash illustrate portions of the reflective dog leash that form no part of the claimed design. The broken lines in FIG. 1 depict environment of use and form no part of the claimed design. The broken line circles representing boundaries for the enlarged views in FIGS. 2, 3 and 4 form no part of the claimed design.

(56) **References Cited**

U.S. PATENT DOCUMENTS

4,167,156 A \* 9/1979 Kupperman ..... A01K 27/006  
119/795

5,732,660 A \* 3/1998 David ..... A01K 25/00  
119/831

D408,103 S \* 4/1999 Snedeker ..... D30/153

D417,317 S \* 11/1999 Greer ..... D30/153

D454,416 S \* 3/2002 Kaplan ..... D30/153

D492,454 S \* 6/2004 Saunders ..... D30/153

D519,686 S \* 4/2006 Alameddine ..... D30/153

D539,489 S \* 3/2007 Scott ..... D30/153

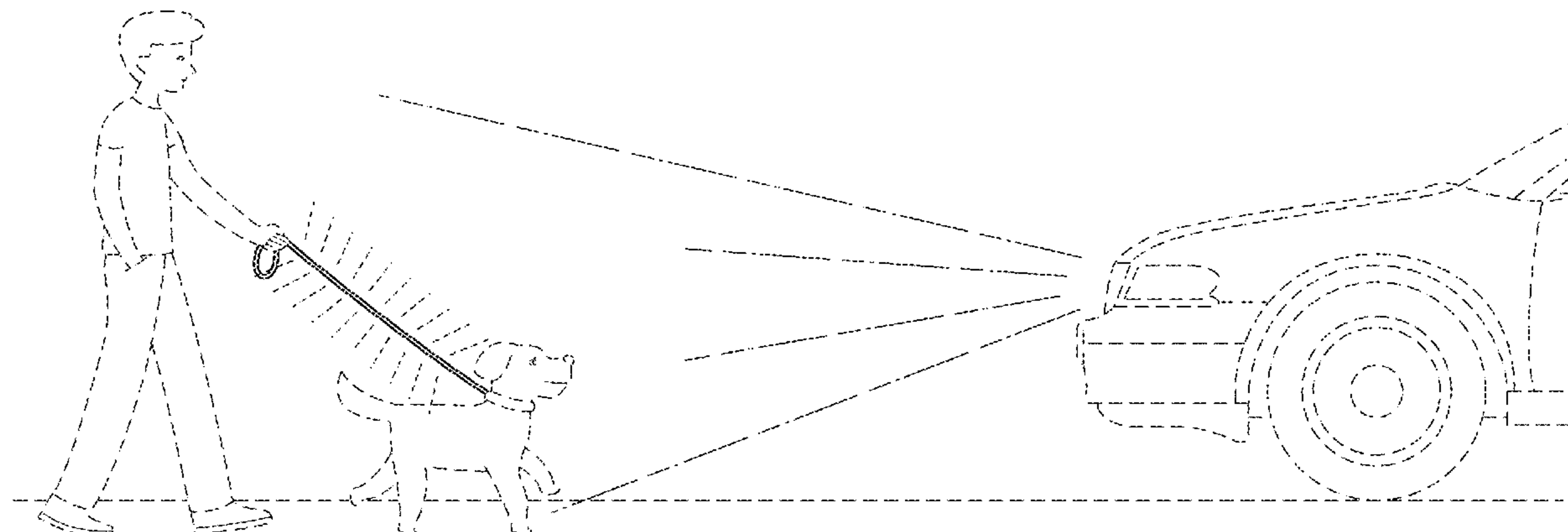
D609,409 S \* 2/2010 Labelson ..... D30/153

D640,017 S \* 6/2011 Mendelson ..... D30/153

D651,769 S \* 1/2012 Farrell ..... D30/153

(Continued)

**1 Claim, 3 Drawing Sheets**





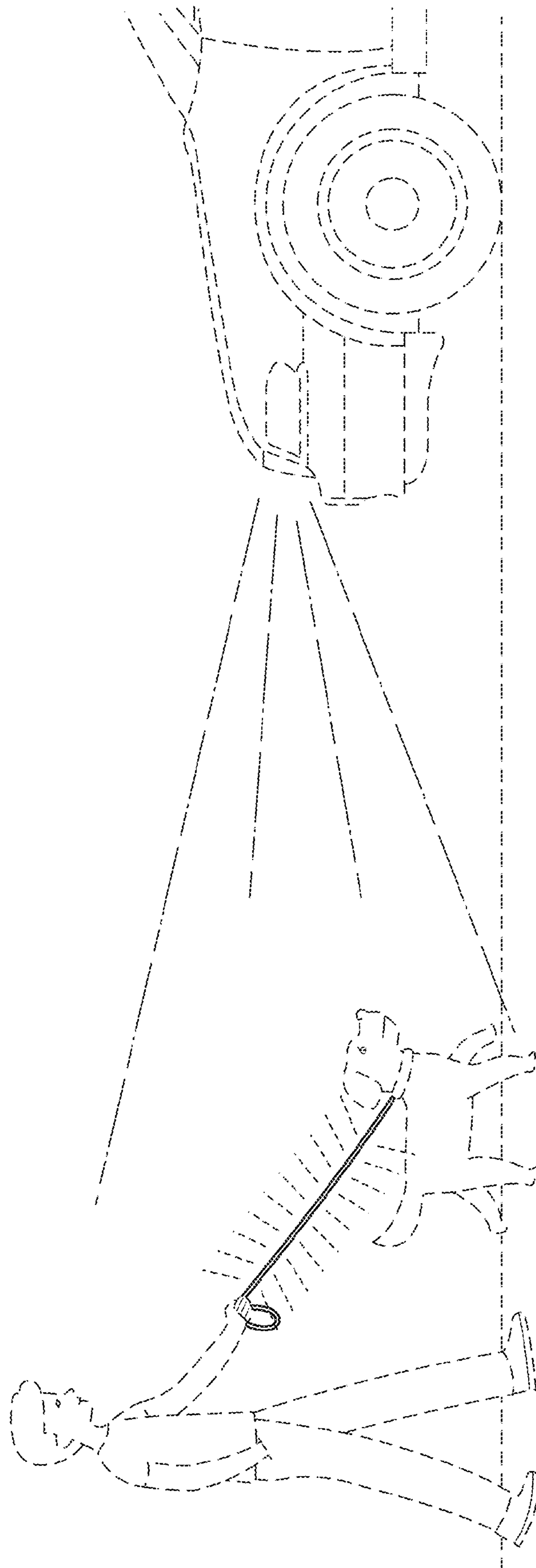


FIG. 1



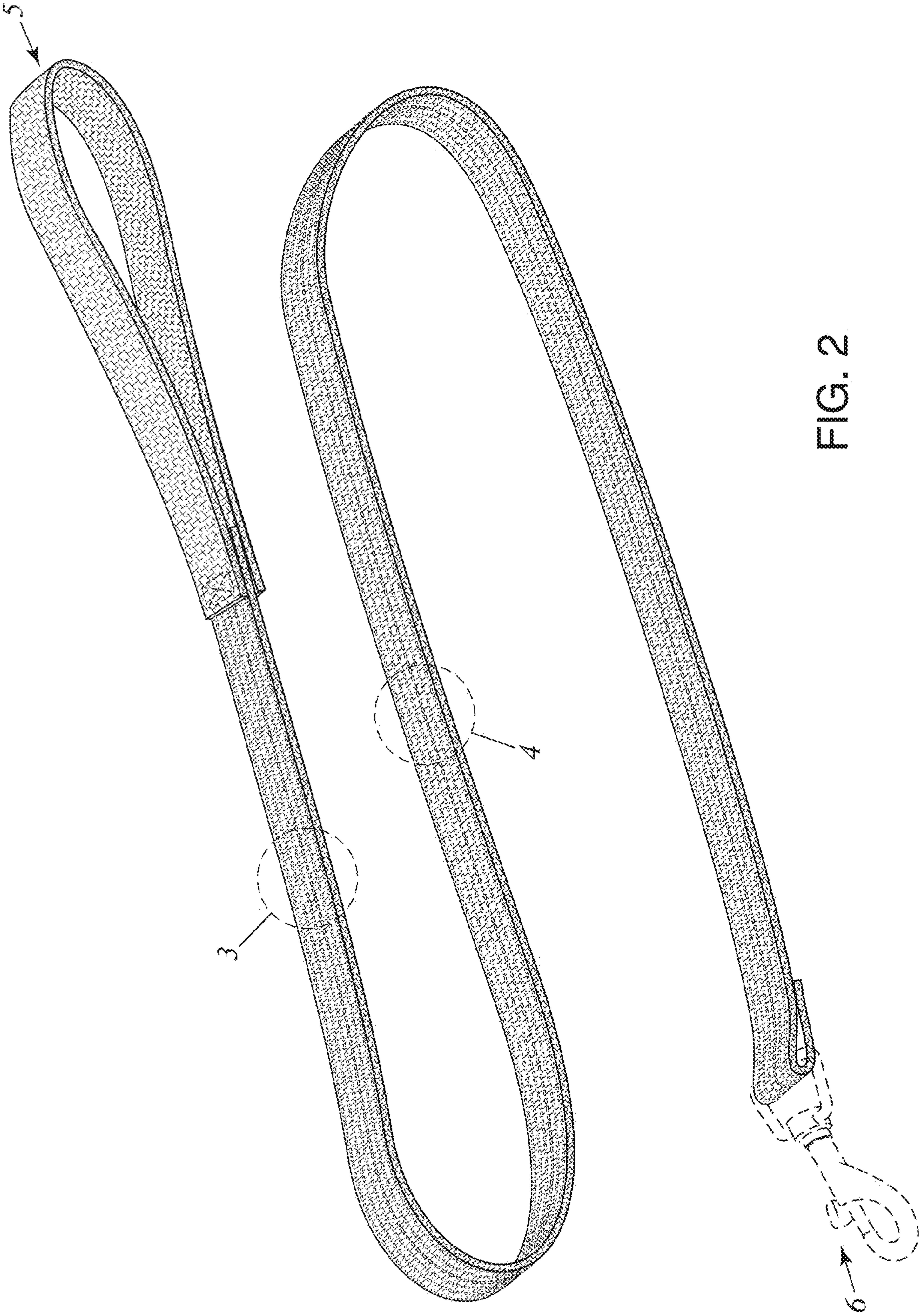


FIG. 2

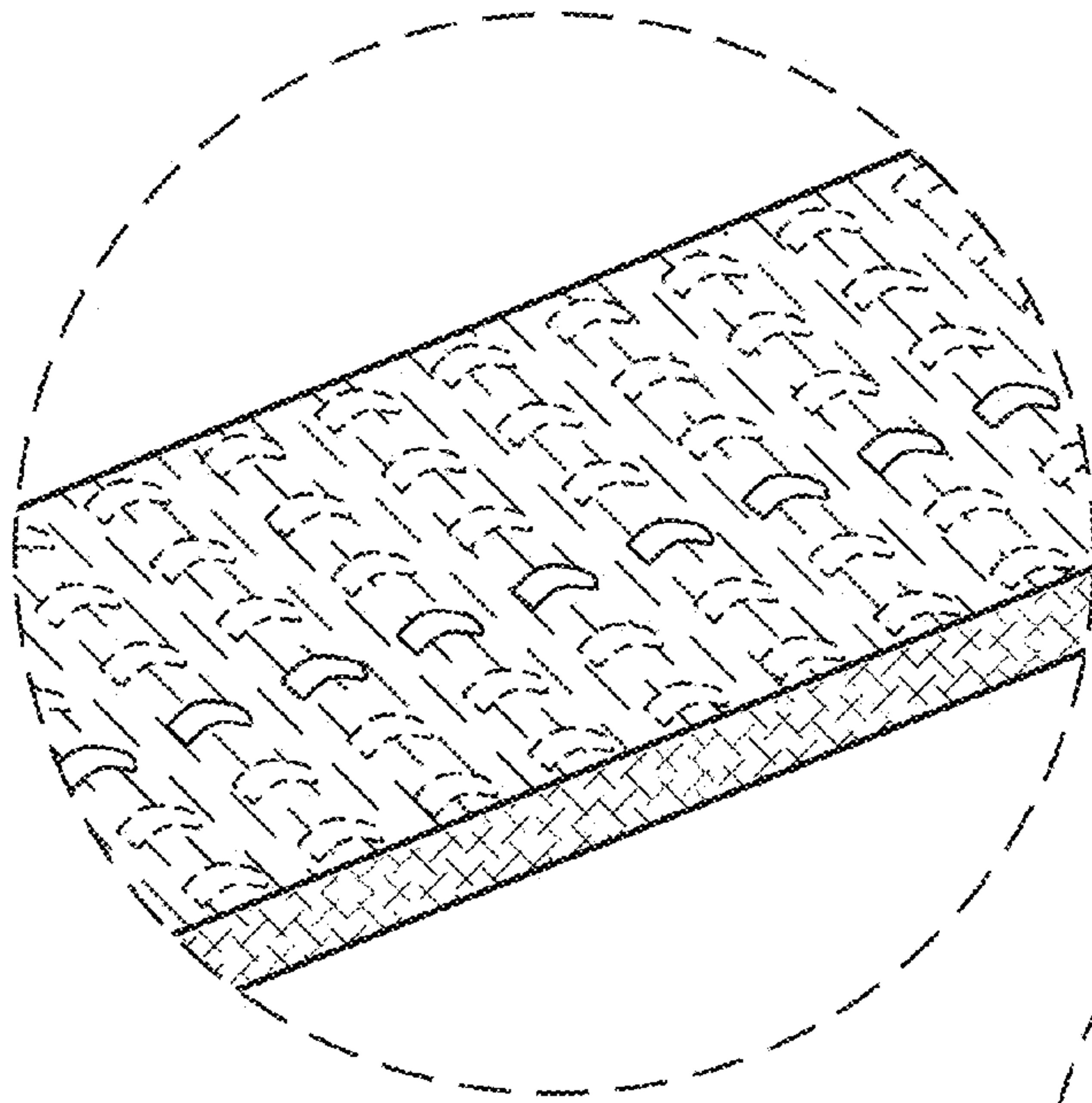


FIG. 3

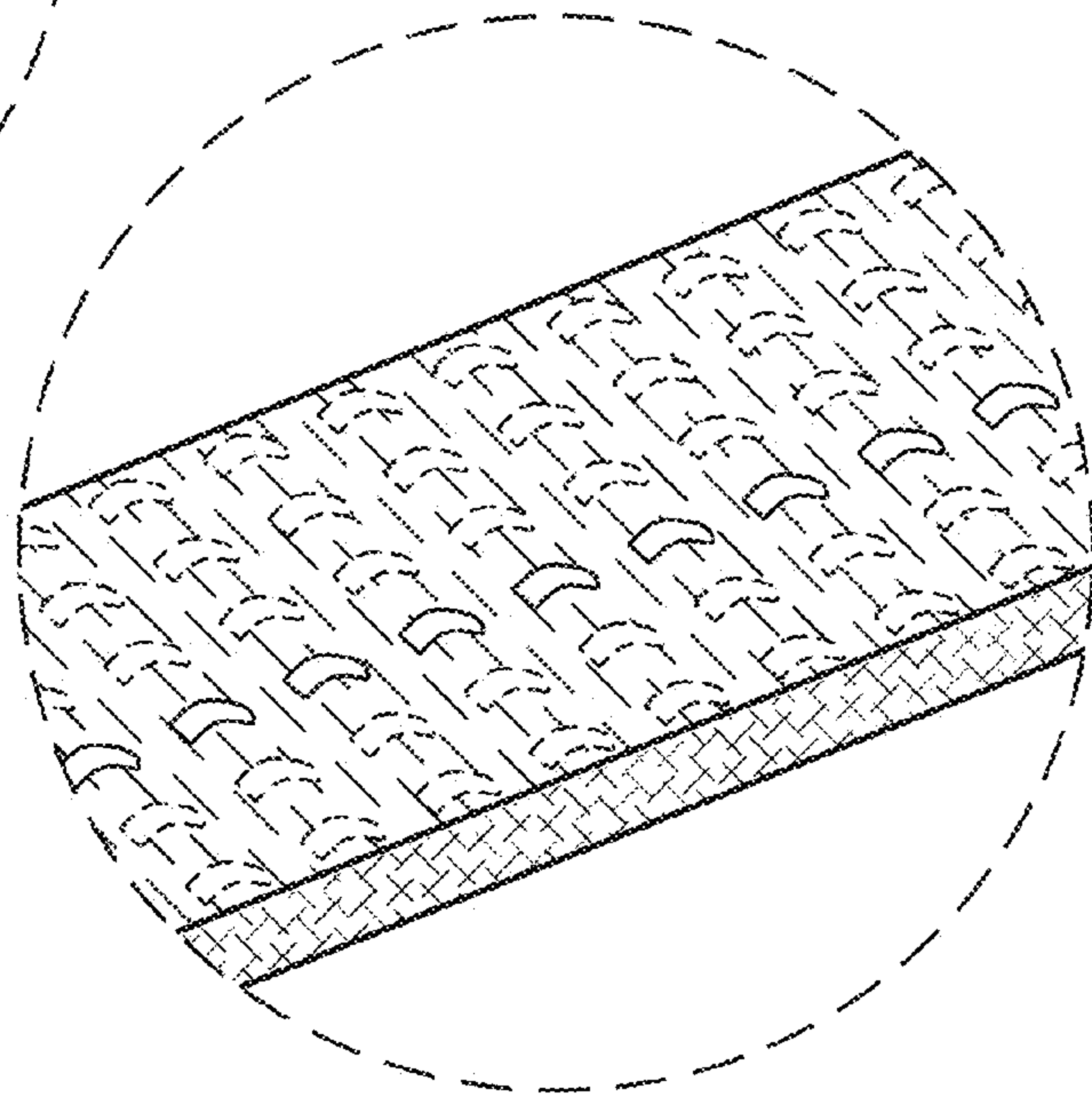


FIG. 4

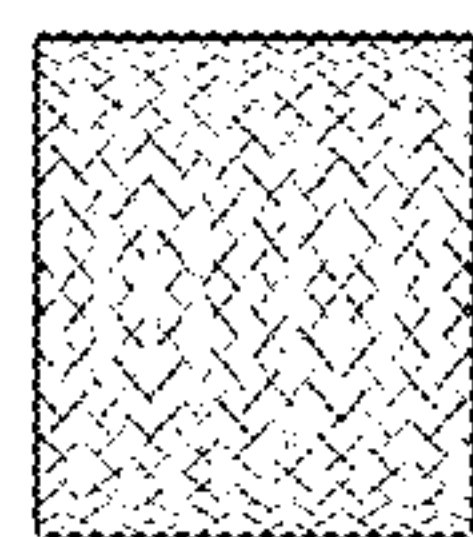


FIG. 5

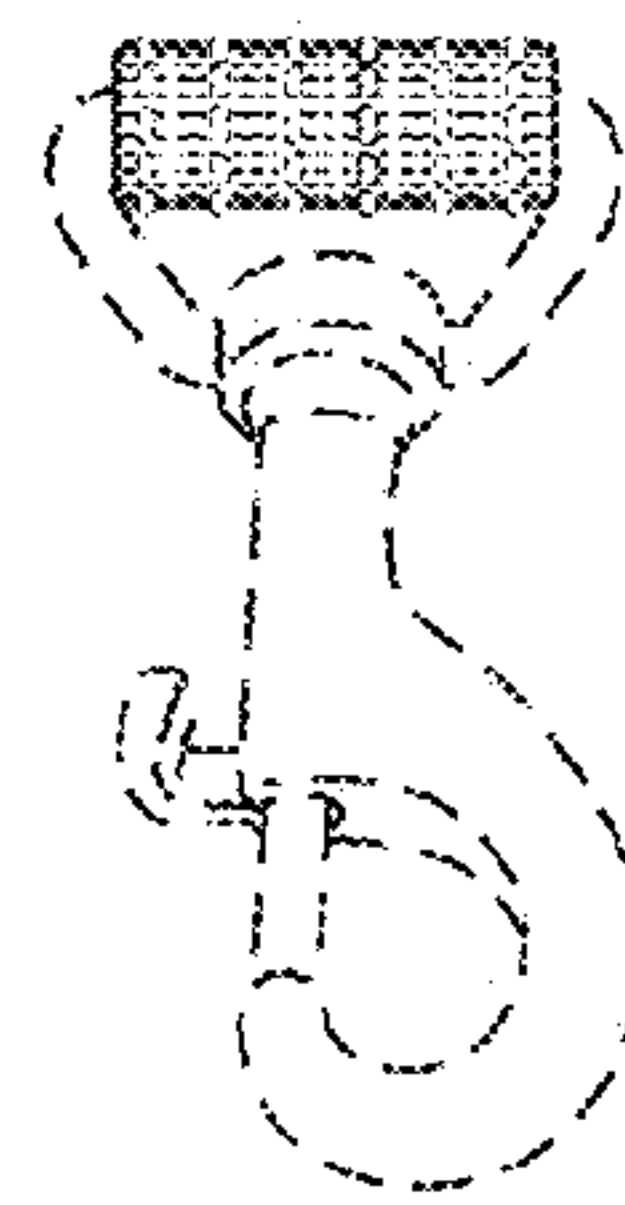


FIG. 6