



US00D971523S

(12) **United States Design Patent** (10) **Patent No.:** **US D971,523 S**
Xu (45) **Date of Patent:** **** Nov. 29, 2022**

(54) **PET HARNESS**

FOREIGN PATENT DOCUMENTS

(71) Applicant: **Shenzhen Kissbak E-Commerce Co., LTD**, Shenzhen (CN)

GB 6010568 * 4/2017
GB 6189791 * 2/2022

(72) Inventor: **Guozhong Xu**, Guangdong (CN)

(Continued)

(**) Term: **15 Years**

OTHER PUBLICATIONS

(21) Appl. No.: **29/842,981**

WINSEE Dog Harness, dated to Jan. 6, 2017, amazon.com [online]. Retrieved Sep. 24, 2022 from internet <URL:https://www.amazon.com/WINSEE-Attachments-Reflective-Adjustable-Material/dp/B07DNBXGWP/?th=1> (Year: 2017).*

(22) Filed: **Jun. 17, 2022**

(Continued)

(51) **LOC (13) Cl.** **30-04**

(52) **U.S. Cl.**
USPC **D30/152**

(58) **Field of Classification Search**
USPC D30/144, 145, 151, 152, 153, 154, 199
CPC A01K 13/006; A01K 27/002
See application file for complete search history.

Primary Examiner — Andrew T Nemeth

(74) *Attorney, Agent, or Firm* — Rumi Ranjit Kanakia

(56) **References Cited**

(57) **CLAIM**

The ornamental design for a pet harness, as shown and described.

U.S. PATENT DOCUMENTS

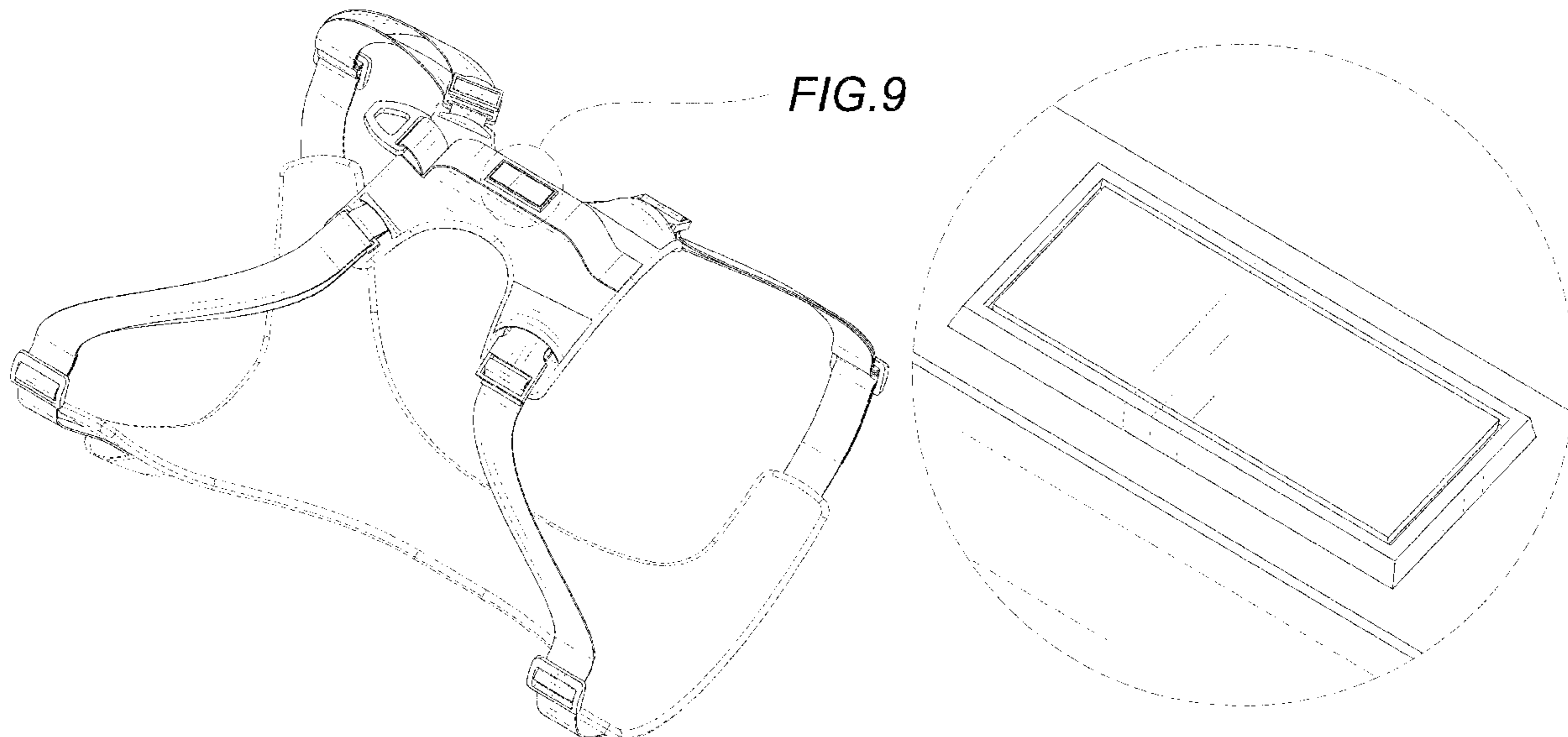
D621,561 S	8/2010	Siklosi	
D664,310 S	7/2012	Ito	
D753,350 S	4/2016	Thitz	
D759,906 S	6/2016	Landry	
D841,261 S	2/2019	Backus	
D862,002 S	10/2019	Wu	
D862,003 S	10/2019	Wu	
D867,686 S *	11/2019	Yun	D30/152
D885,689 S	5/2020	Xu	
D889,755 S *	7/2020	Dusev	D30/152
D893,812 S	8/2020	Wu	
D894,502 S *	8/2020	Li	D30/152
D907,311 S *	1/2021	Guo	D30/152
D914,301 S *	3/2021	Xu	D30/152
D919,197 S *	5/2021	Guo	D30/152
D920,595 S *	5/2021	Dusev	D30/152
D920,596 S *	5/2021	Guo	D30/152
D927,093 S *	8/2021	Li	D30/152
D931,553 S *	9/2021	Yu	D30/152
D936,299 S	11/2021	Wu	
D936,300 S *	11/2021	Wu	D30/152

(Continued)

DESCRIPTION

FIG. 1 is a perspective view of a pet harness showing my new design;
FIG. 2 is another perspective view thereof;
FIG. 3 is a front elevational view thereof;
FIG. 4 is a rear elevational view thereof;
FIG. 5 is a left side view thereof;
FIG. 6 is a right side view thereof;
FIG. 7 is a top plan view thereof;
FIG. 8 is a bottom plan view thereof;
FIG. 9 is a partial enlarged view of FIG. 1; and,
FIG. 10 is a perspective view of the pet harness in a detached state.
The broken lines in the figures are for the purposes of illustrating portions of the pet harness, which form no part of the claimed design.

1 Claim, 10 Drawing Sheets



(56)

References Cited

U.S. PATENT DOCUMENTS

D936,914 S * 11/2021 Deng D30/152
D957,752 S * 7/2022 Ohanian D30/152
D964,664 S * 9/2022 Huang D30/152
2011/0067648 A1* 3/2011 Siklosi A01K 27/002
119/863
2017/0215386 A1* 8/2017 Pianelli A01K 27/002
2019/0124890 A1* 5/2019 Kath A01K 1/0263
2020/0404887 A1* 12/2020 Akenhead A01K 1/0263
2021/0059216 A1* 3/2021 Guidetti A01K 27/002
2022/0142124 A1* 5/2022 Stevens A01K 27/002
2022/0151205 A1* 5/2022 Sebö A01K 27/002

FOREIGN PATENT DOCUMENTS

GB 6189796 * 2/2022
NZ 425968 * 7/2019
WO D222728-0002 * 5/2022
WO D222728-0007 * 5/2022

OTHER PUBLICATIONS

BARKBAY No Pull Dog Harness, dated to Jun. 3, 2019, amazon.com [online]. Retrieved Sep. 24, 2022 from internet <URL:https://www.amazon.com/BARKBAY-Harness-Reflective-Control-Training/dp/B07SHSJ135/> (Year: 2019).*

* cited by examiner

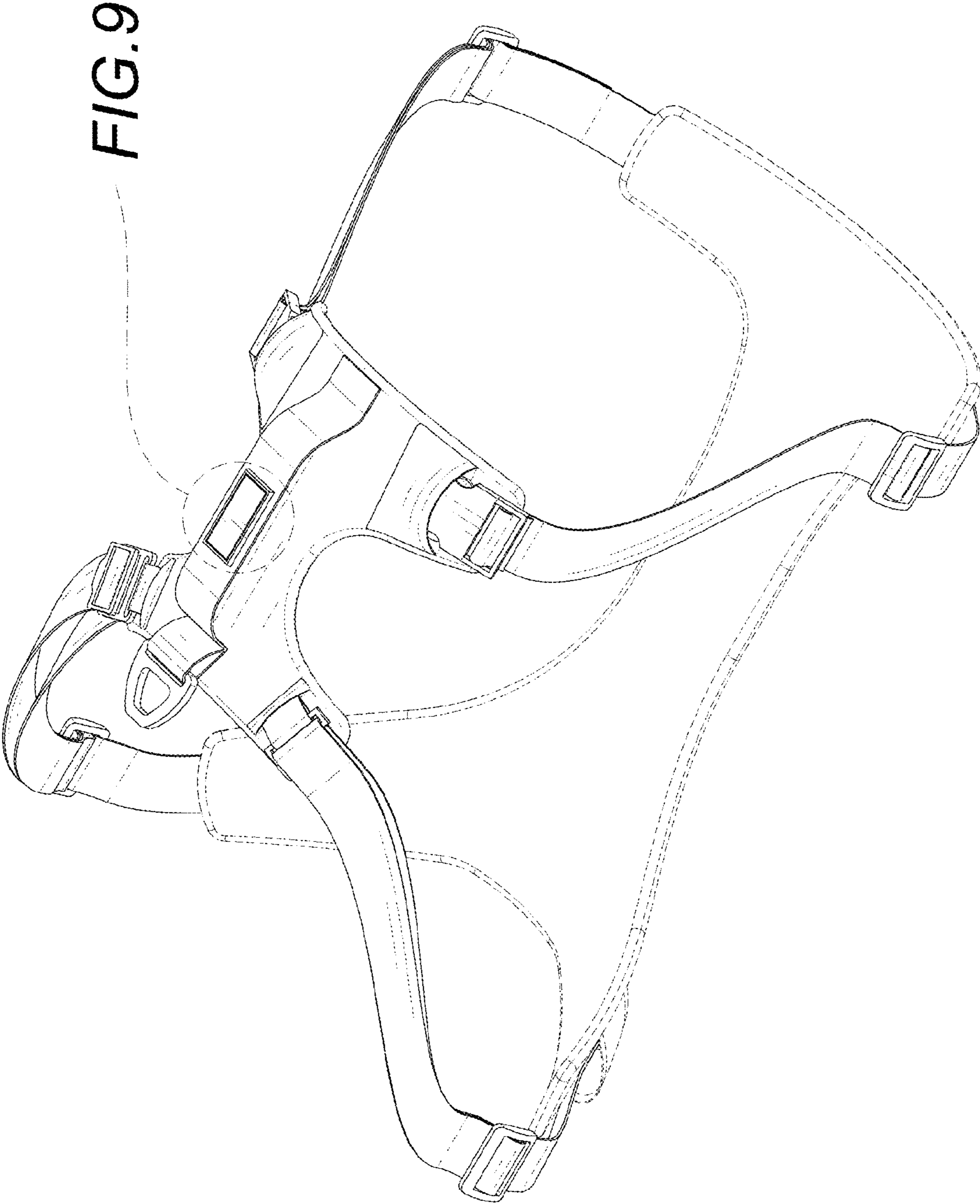


FIG. 9

FIG. 1

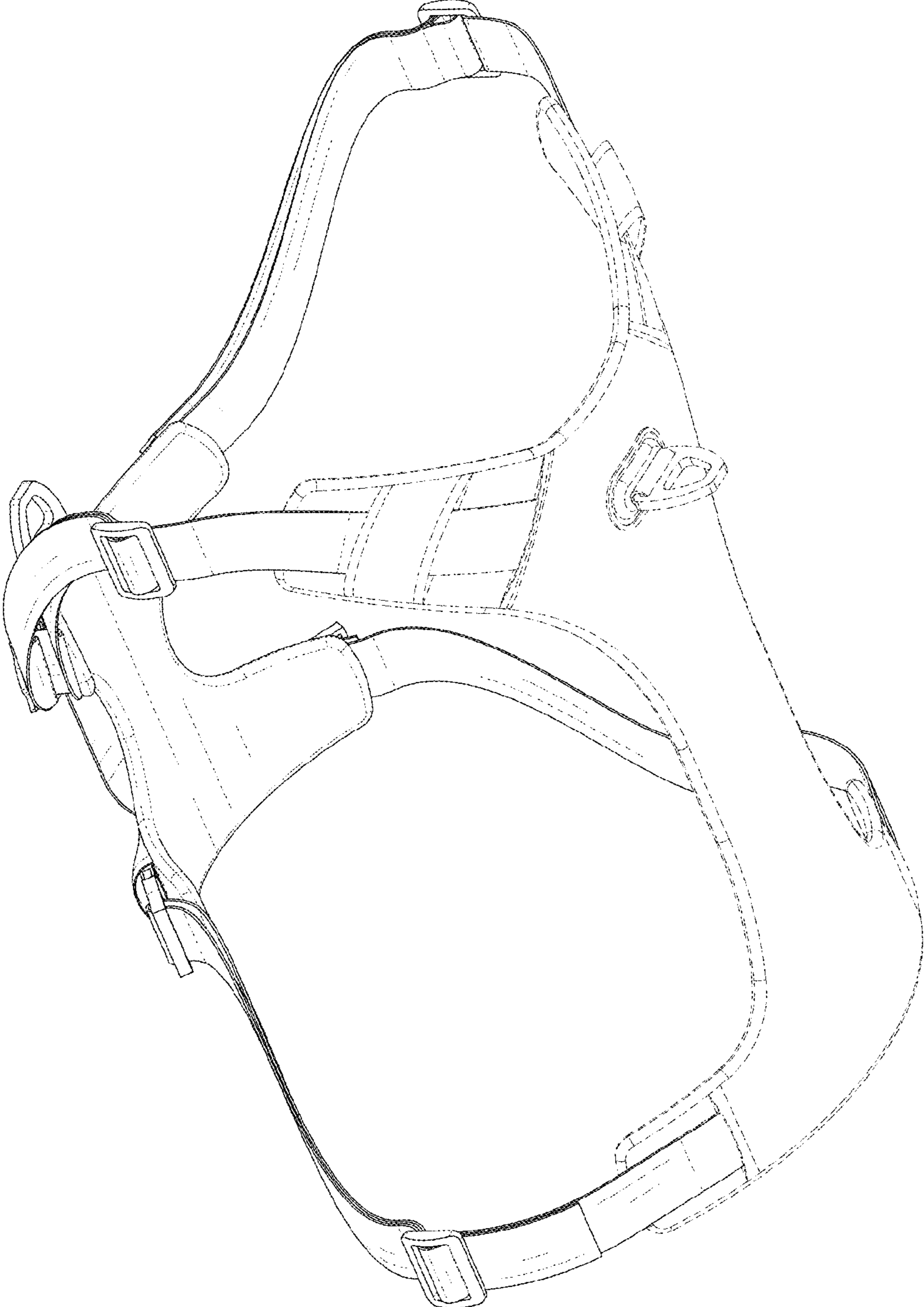


FIG. 2

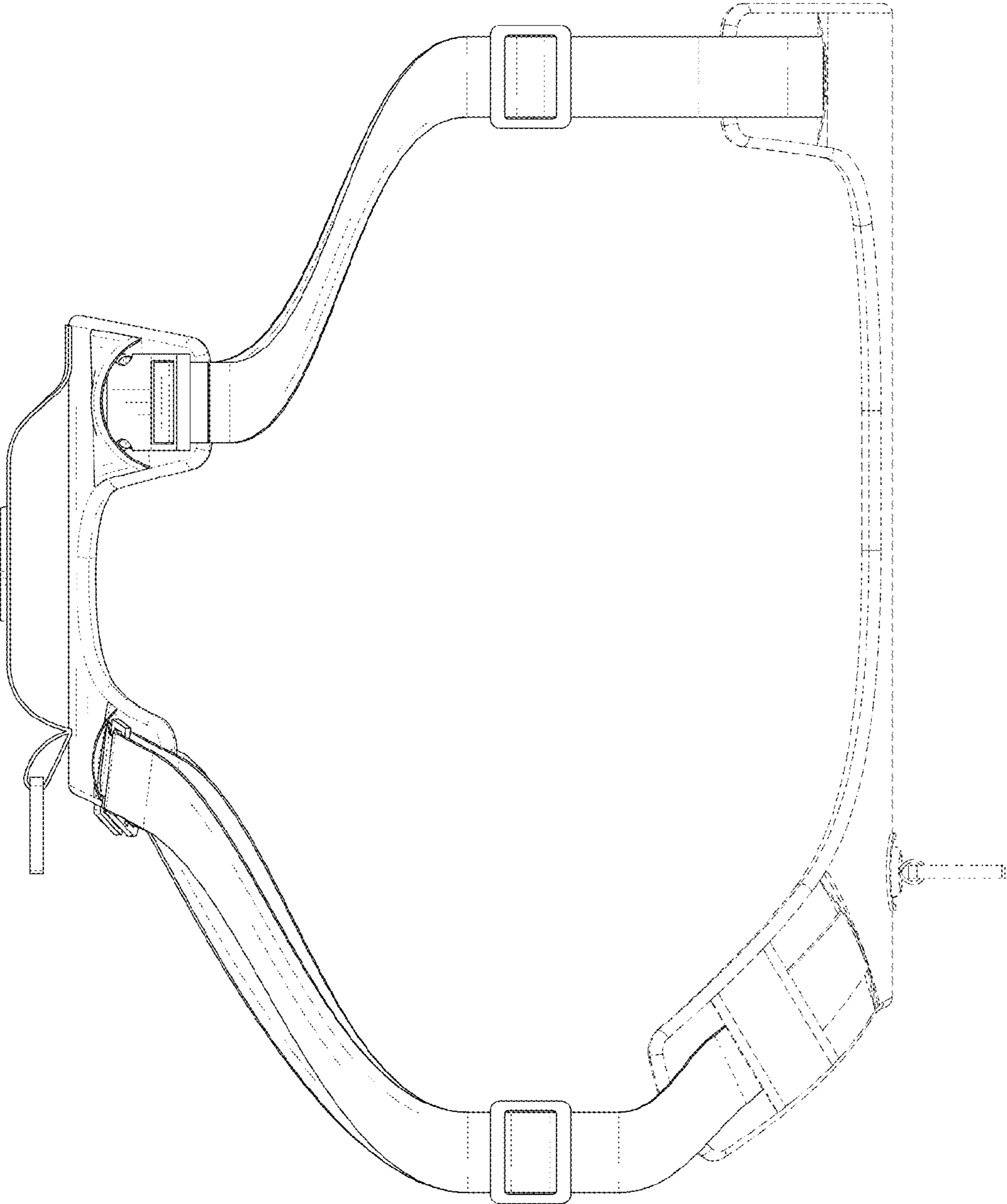


FIG. 3

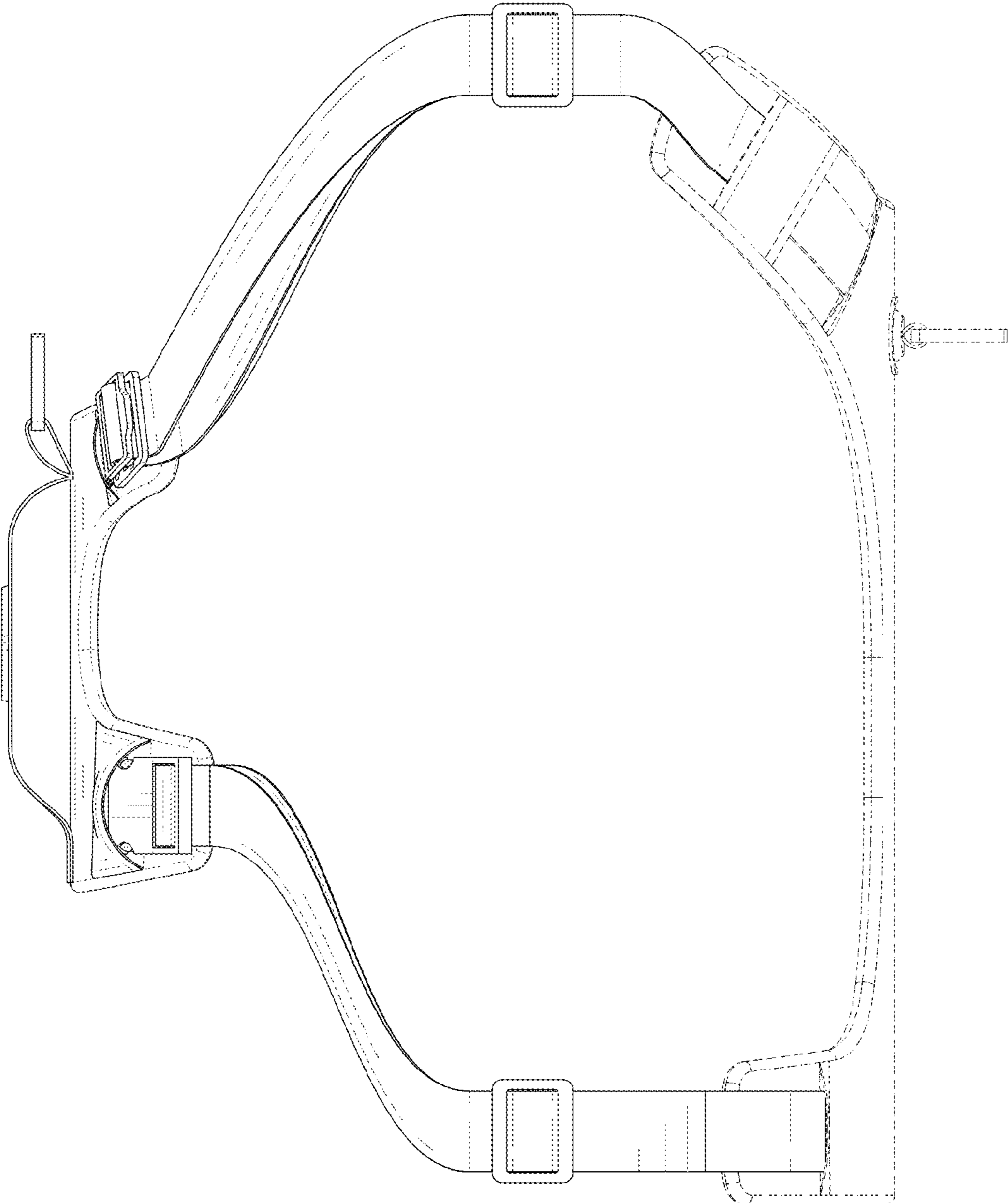


FIG. 4

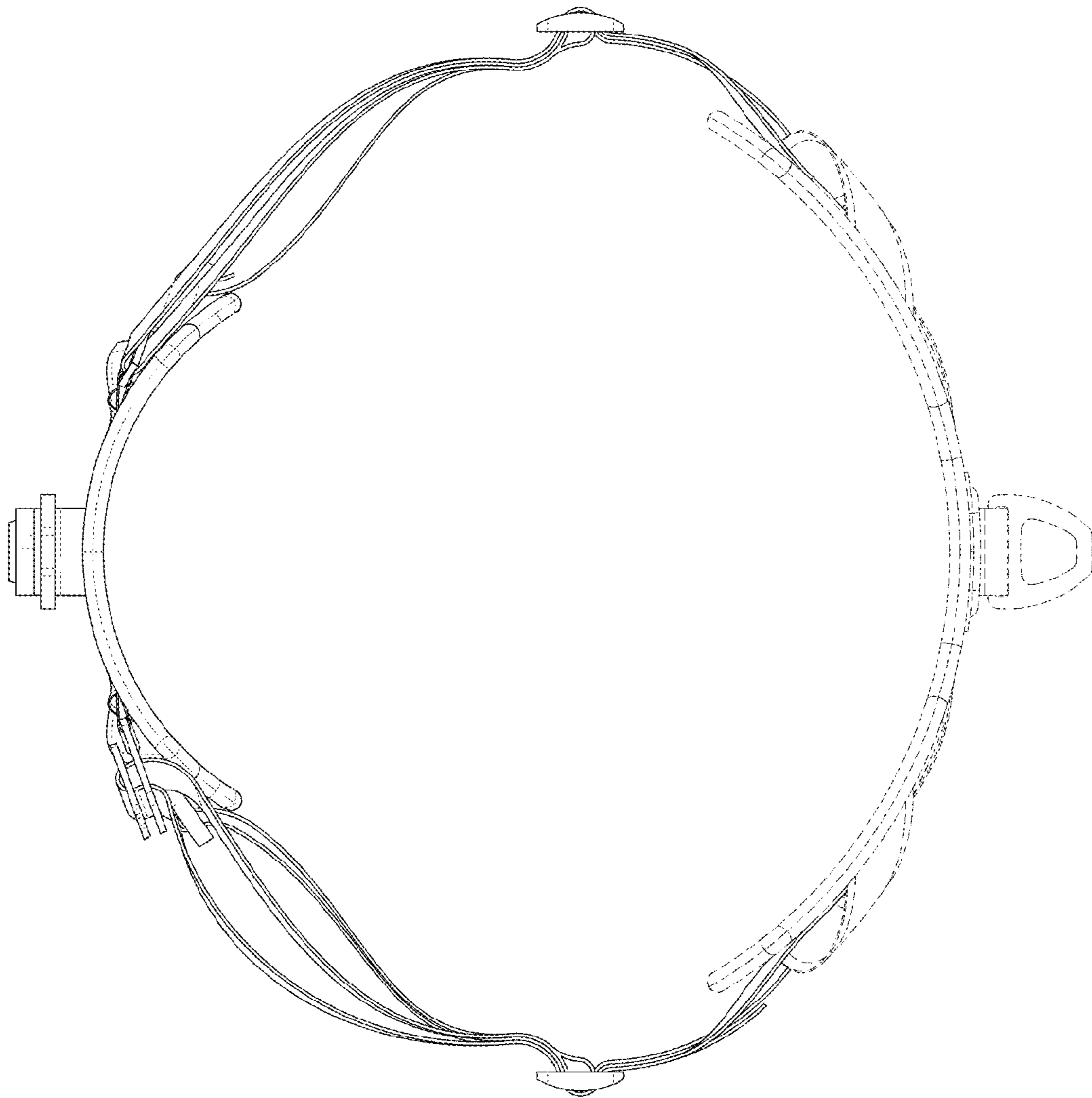


FIG. 5

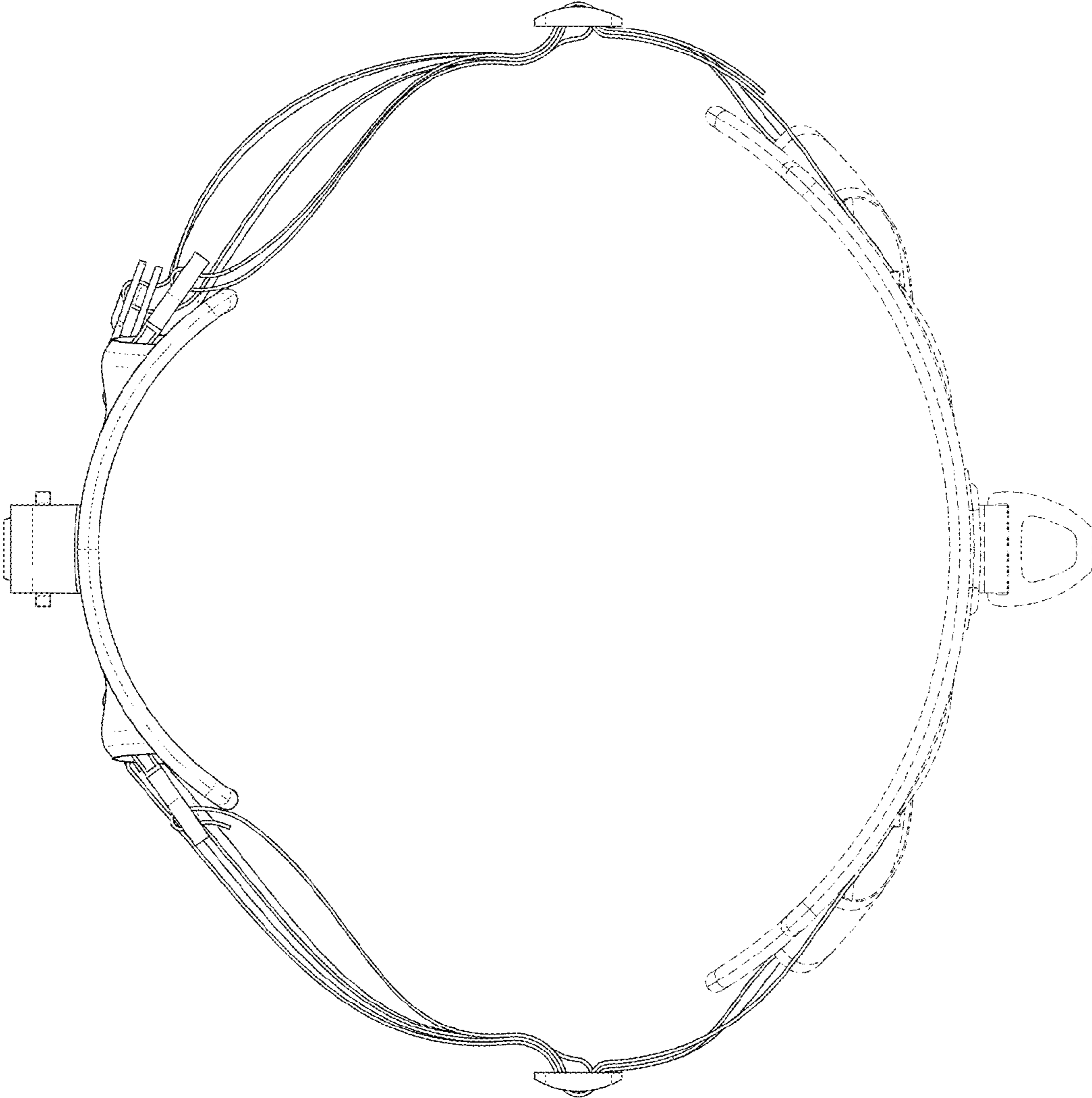


FIG. 6

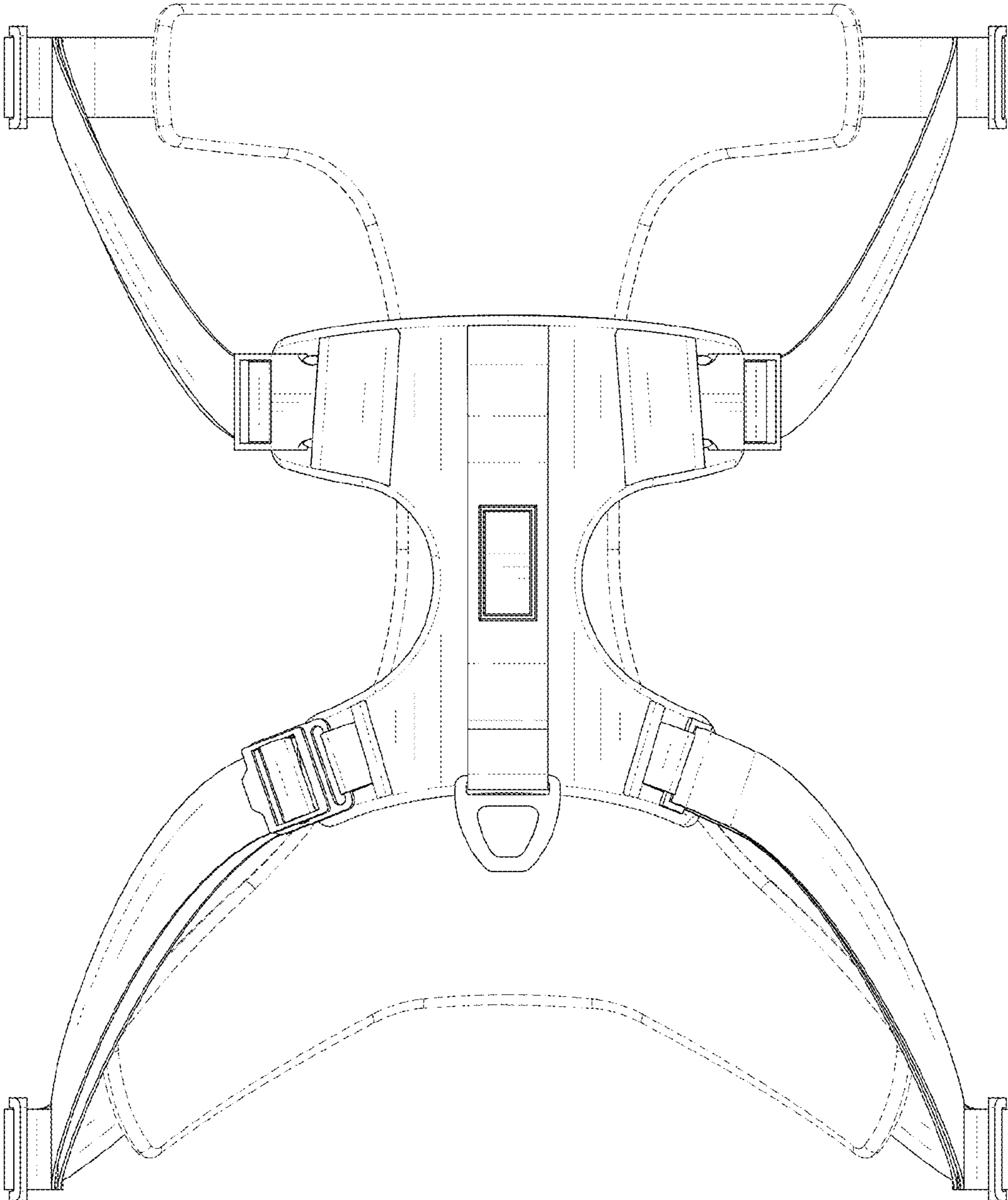


FIG. 7

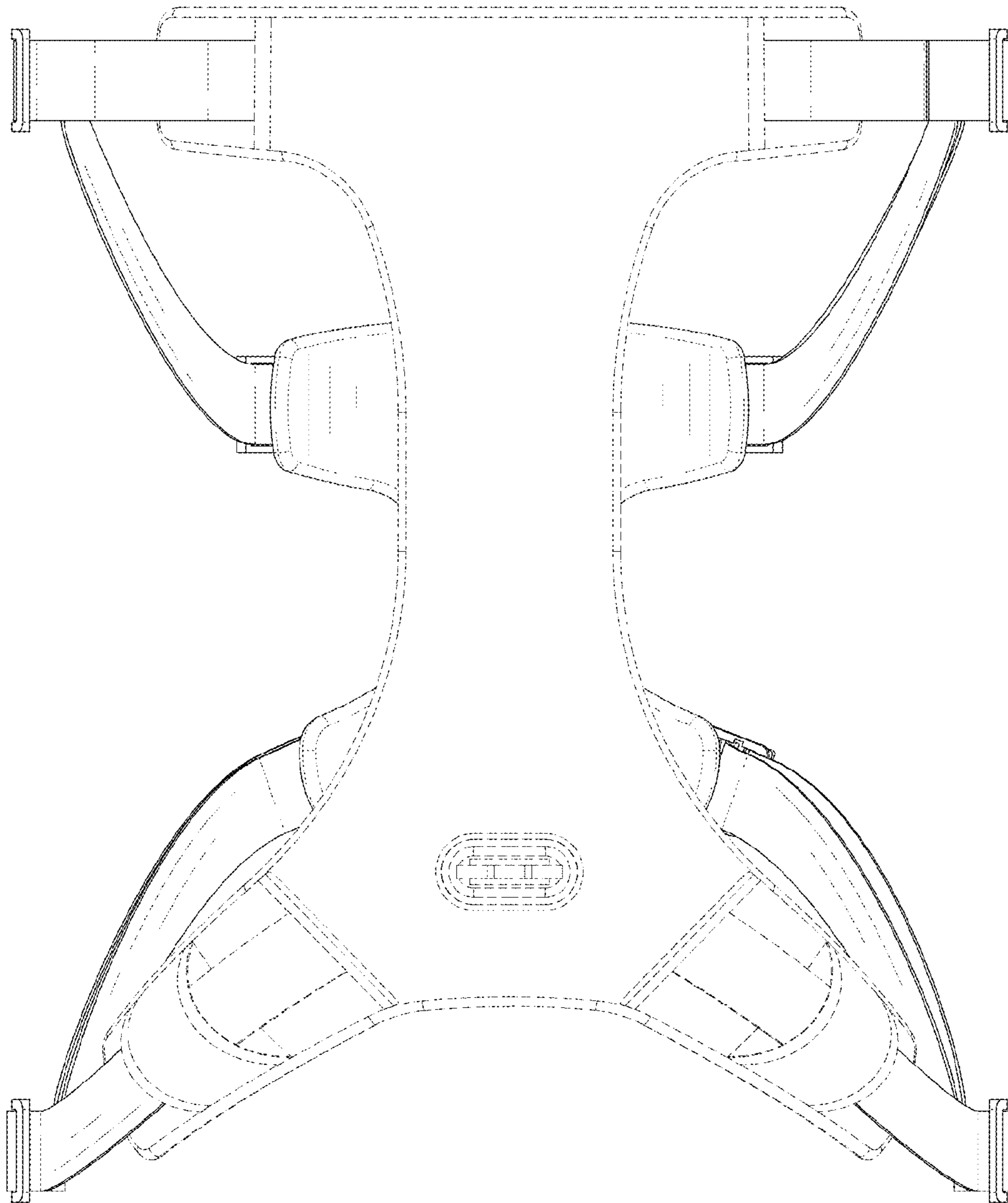


FIG. 8

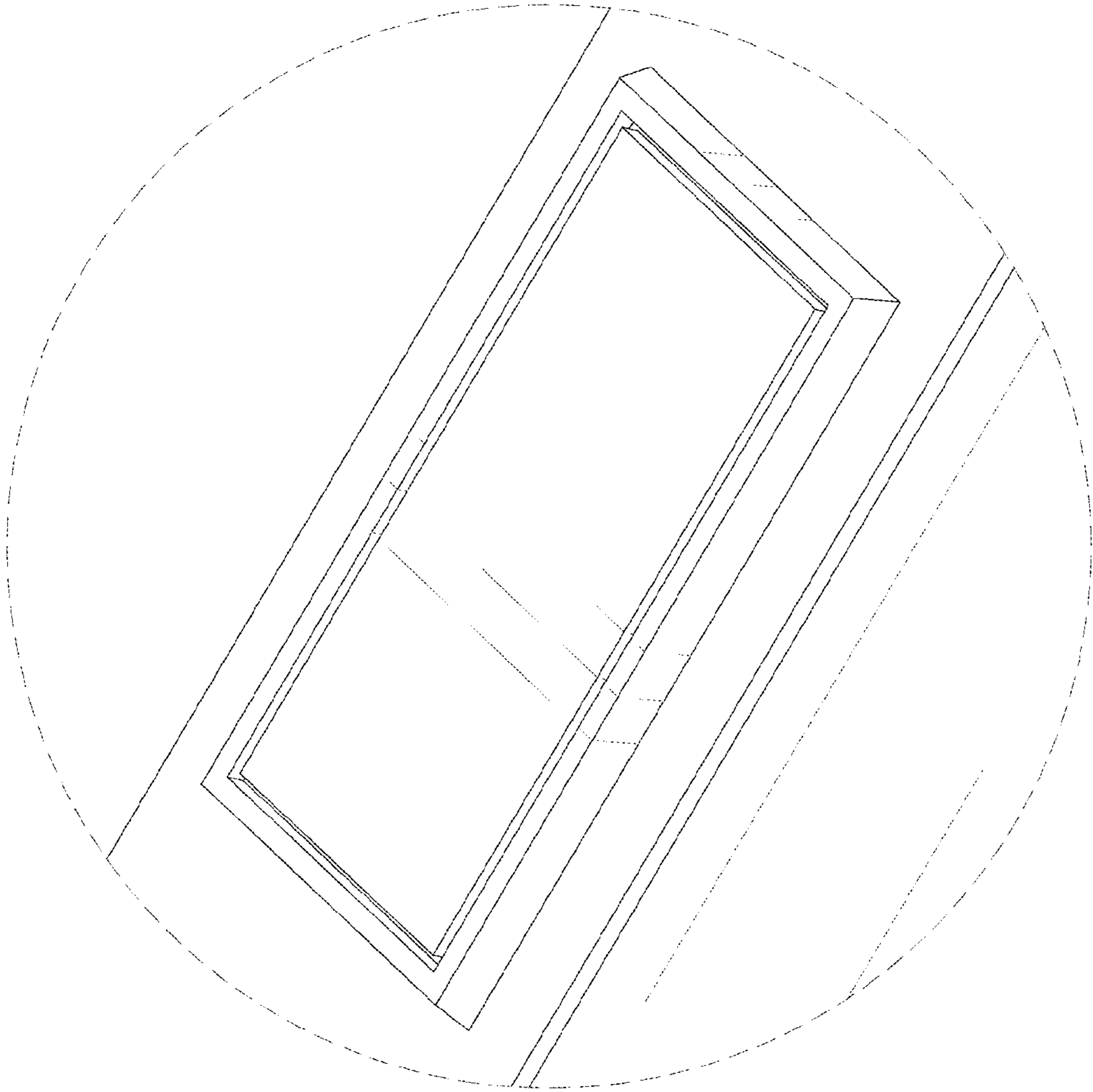


FIG. 9

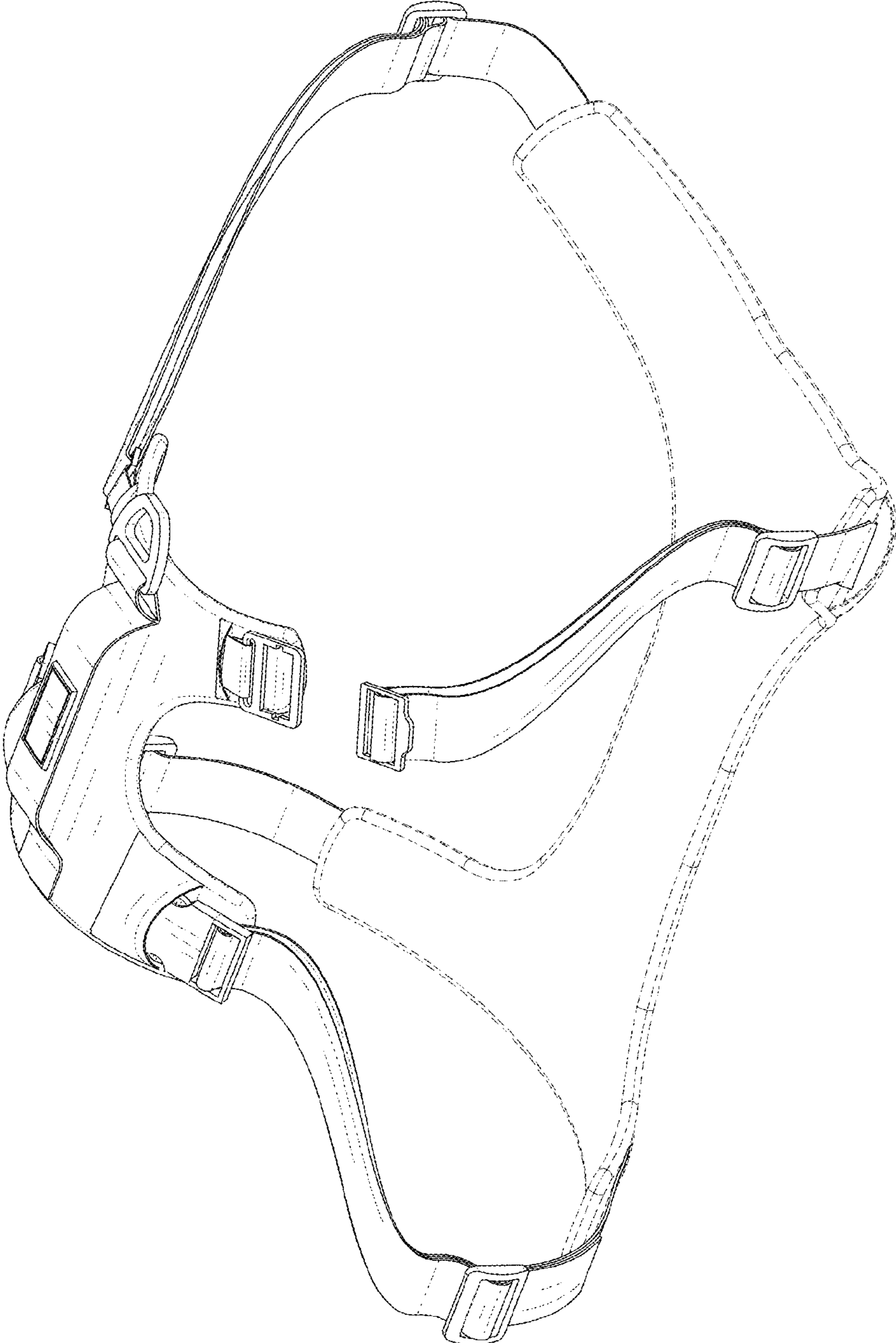


FIG. 10