



US00D971522S

(12) **United States Design Patent**
Huang

(10) **Patent No.:** **US D971,522 S**

(45) **Date of Patent:** **** Nov. 29, 2022**

(54) **PET HARNESS**

(71) Applicant: **Xuchang Huang**, Pujiang (CN)

(72) Inventor: **Xuchang Huang**, Pujiang (CN)

(**) Term: **15 Years**

(21) Appl. No.: **29/838,503**

(22) Filed: **May 13, 2022**

(51) **LOC (13) Cl.** **30-04**

(52) **U.S. Cl.**
USPC **D30/152**

(58) **Field of Classification Search**
USPC D30/144, 145, 151, 152, 153, 154, 199
CPC A01K 13/006; A01K 27/002
See application file for complete search history.

(56) **References Cited**

U.S. PATENT DOCUMENTS

1,772,827	A *	8/1930	Caster-Udell	A01K 13/006
					54/79.1
D621,561	S *	8/2010	Siklosi	D30/153
D753,350	S *	4/2016	Thitz	D30/151
D862,002	S	10/2019	Wu		
D867,686	S *	11/2019	Yun	D30/152
D889,755	S *	7/2020	Dusev	D30/152
D894,502	S *	8/2020	Li	D30/152
D907,311	S *	1/2021	Guo	D30/152
D914,301	S *	3/2021	Xu	D30/152
D918,493	S	5/2021	Chang		
D920,595	S *	5/2021	Dusev	D30/152
D920,596	S *	5/2021	Guo	D30/152
D927,093	S *	8/2021	Li	D30/152
D931,553	S *	9/2021	Yu	D30/152
D936,299	S *	11/2021	Wu	D30/152
D936,300	S *	11/2021	Wu	D30/152
D948,810	S	4/2022	Elam		
D948,811	S	4/2022	Benishai		
D957,752	S *	7/2022	Ohanian	D30/152
D964,664	S *	9/2022	Huang	D30/152
2011/0067648	A1 *	3/2011	Siklosi	A01K 27/002
					119/863

2017/0215386	A1 *	8/2017	Pianelli	A01K 27/002
2019/0124890	A1 *	5/2019	Kath	A01K 1/0263
2020/0404887	A1 *	12/2020	Akenhead	A01K 1/0263
2021/0059216	A1 *	3/2021	Guidetti	A01K 27/002
2022/0142124	A1 *	5/2022	Stevens	A01K 27/002
2022/0151205	A1 *	5/2022	Sebö	A01K 27/002

FOREIGN PATENT DOCUMENTS

GB	6010568	*	4/2017
GB	6189791	*	2/2022
GB	6189796	*	2/2022

(Continued)

OTHER PUBLICATIONS

WINSEE Dog Harness, dated to Jan. 6, 2017, amazon.com [online]. Retrieved Sep. 24, 2022 from internet <URL:https://www.amazon.com/WINSEE-Attachments-Reflective-Adjustable-Material/dp/B07DNBXGWP/?th=1> (Year: 2017).*

(Continued)

Primary Examiner — Andrew T Nemeth

(74) *Attorney, Agent, or Firm* — Zhihua Han; Wen IP LLC

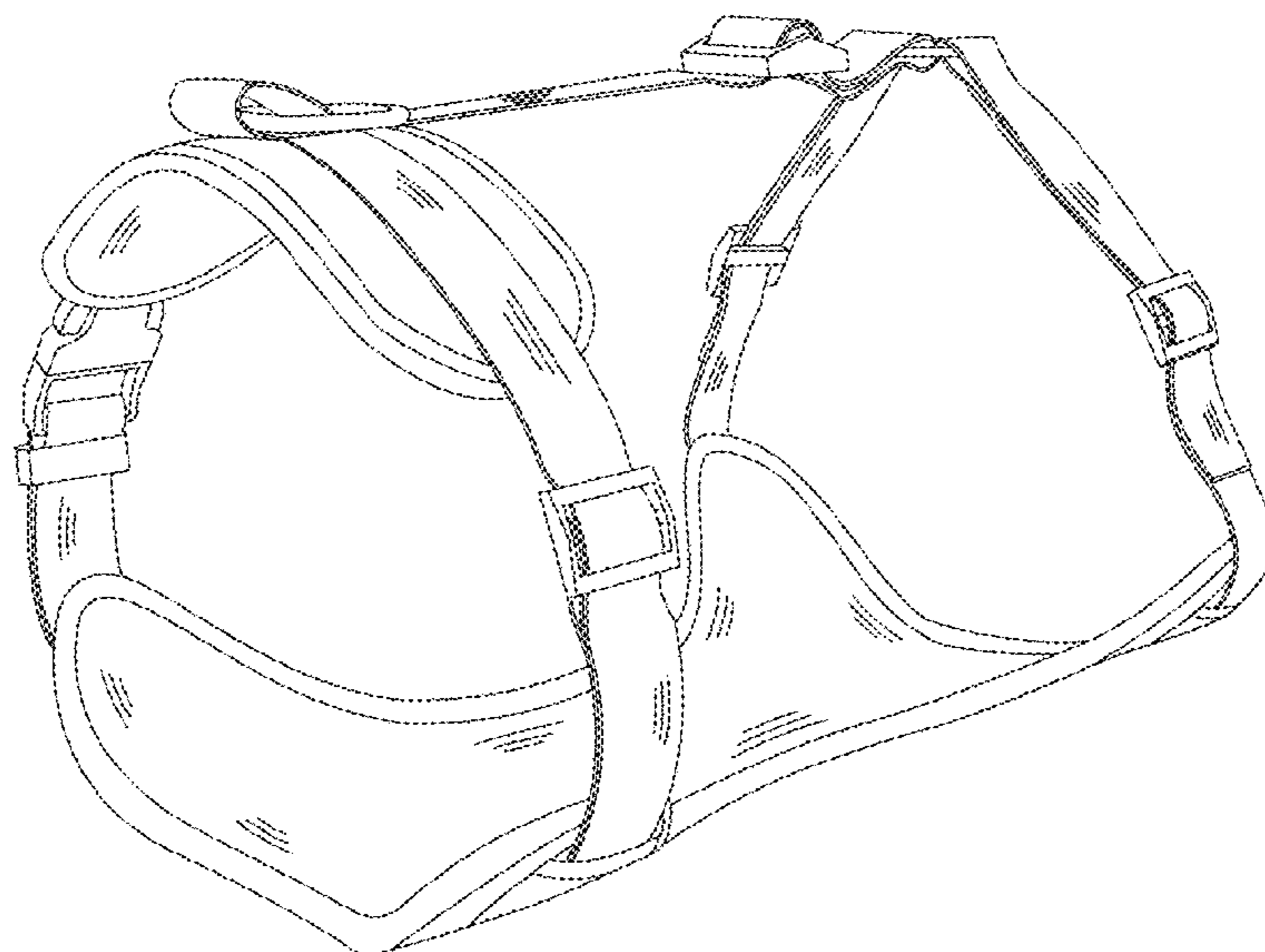
(57) **CLAIM**

The ornamental design for a pet harness, as shown and described.

DESCRIPTION

FIG. 1 is a perspective view of a pet harness, showing my new design;
FIG. 2 is a front elevation view thereof;
FIG. 3 is a rear elevation view thereof;
FIG. 4 is a left side elevation view thereof;
FIG. 5 is a right side elevation view thereof;
FIG. 6 is a top plan view thereof; and,
FIG. 7 is a bottom plan view thereof.

1 Claim, 7 Drawing Sheets



(56)

References Cited

FOREIGN PATENT DOCUMENTS

NZ	425968	*	7/2019
WO	D222728-0002	*	5/2022
WO	D222728-0007	*	5/2022

OTHER PUBLICATIONS

BARKBAY No Pull Dog Harness, dated to Jun. 3, 2019, amazon.com [online]. Retrieved Sep. 24, 2022 from internet <URL:<https://www.amazon.com/BARKBAY-Harness-Reflective-Control-Training/dp/B07SHSJ135/>> (Year: 2019).*

* cited by examiner

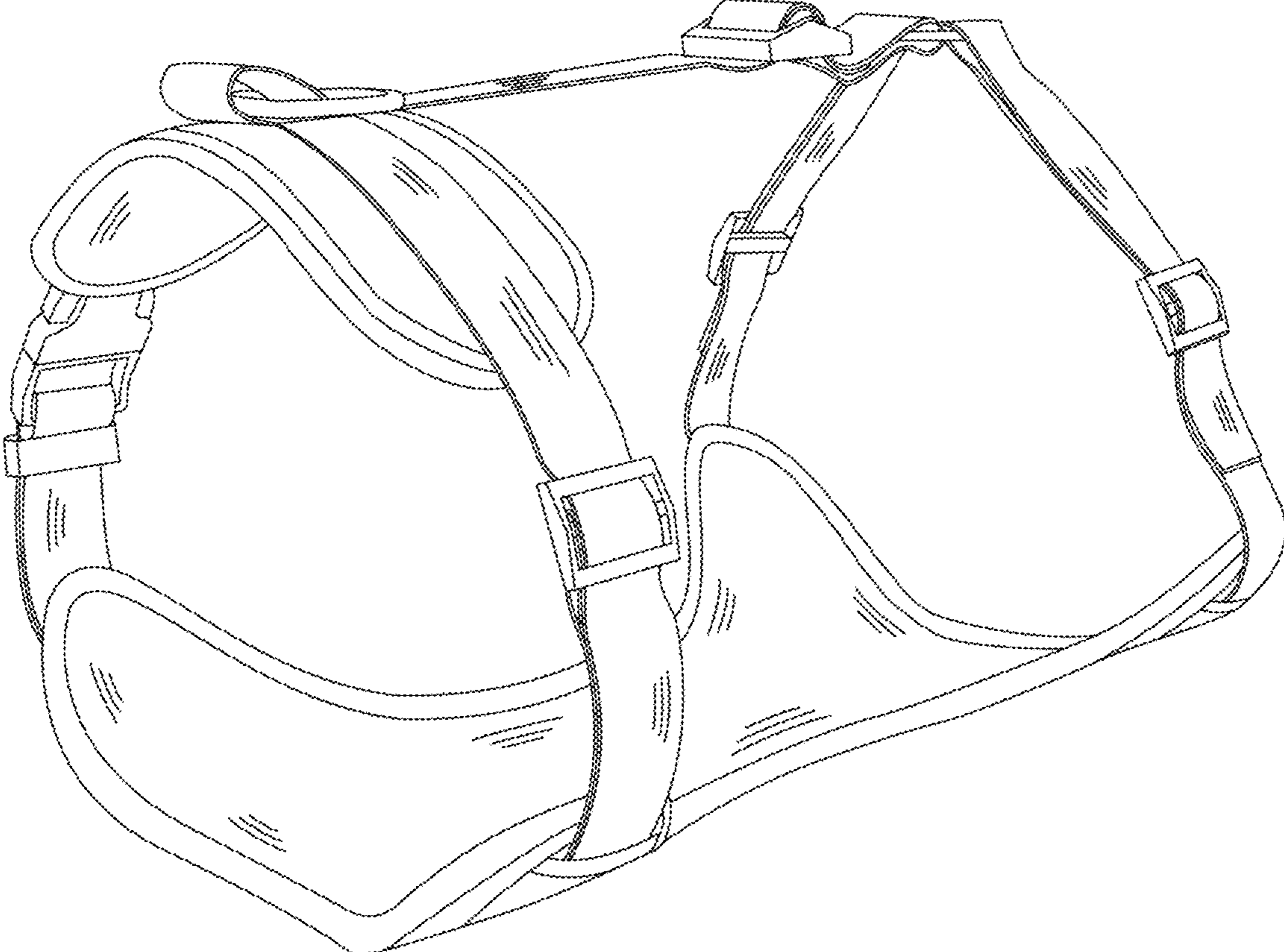


FIG.1

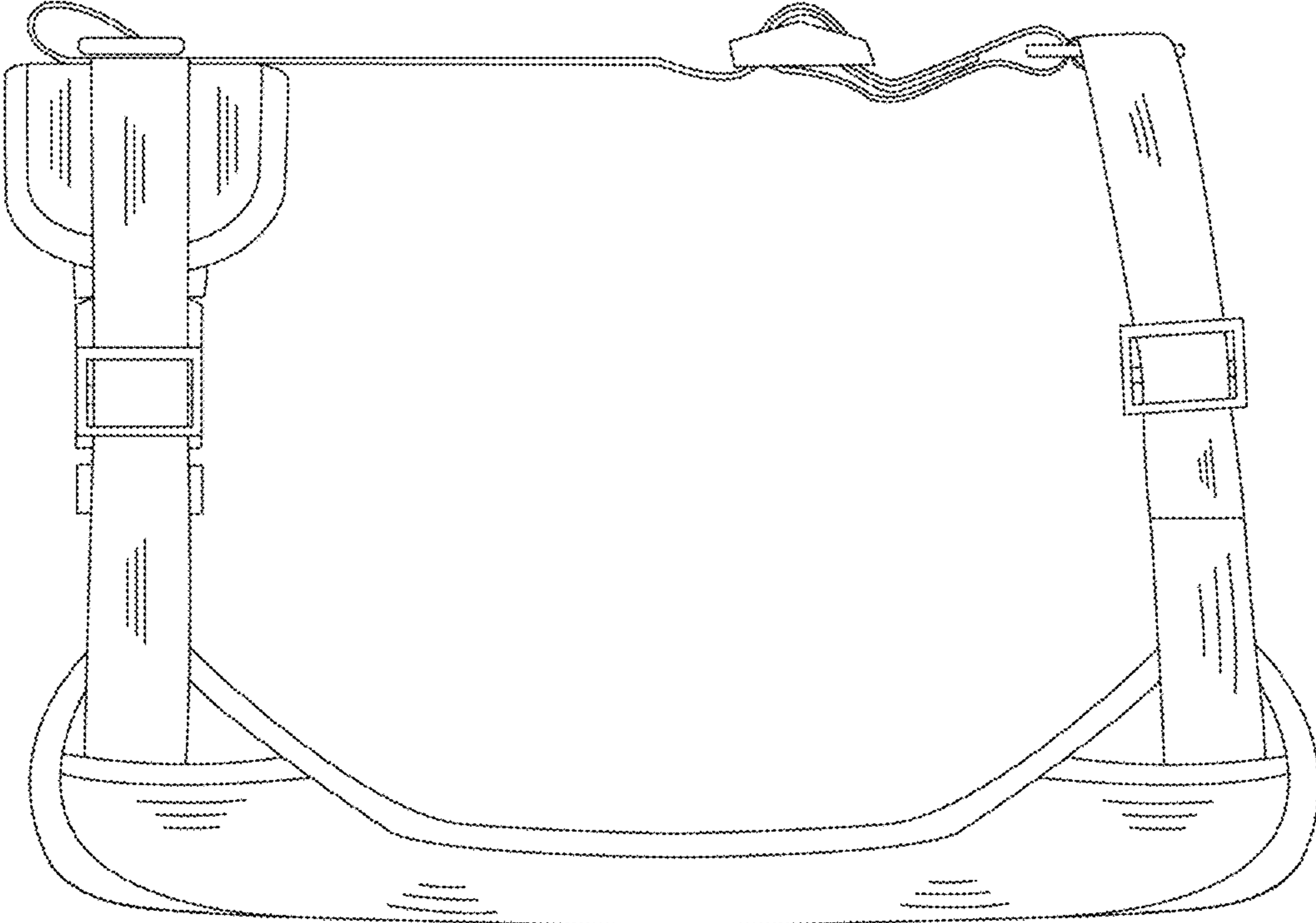


FIG. 2

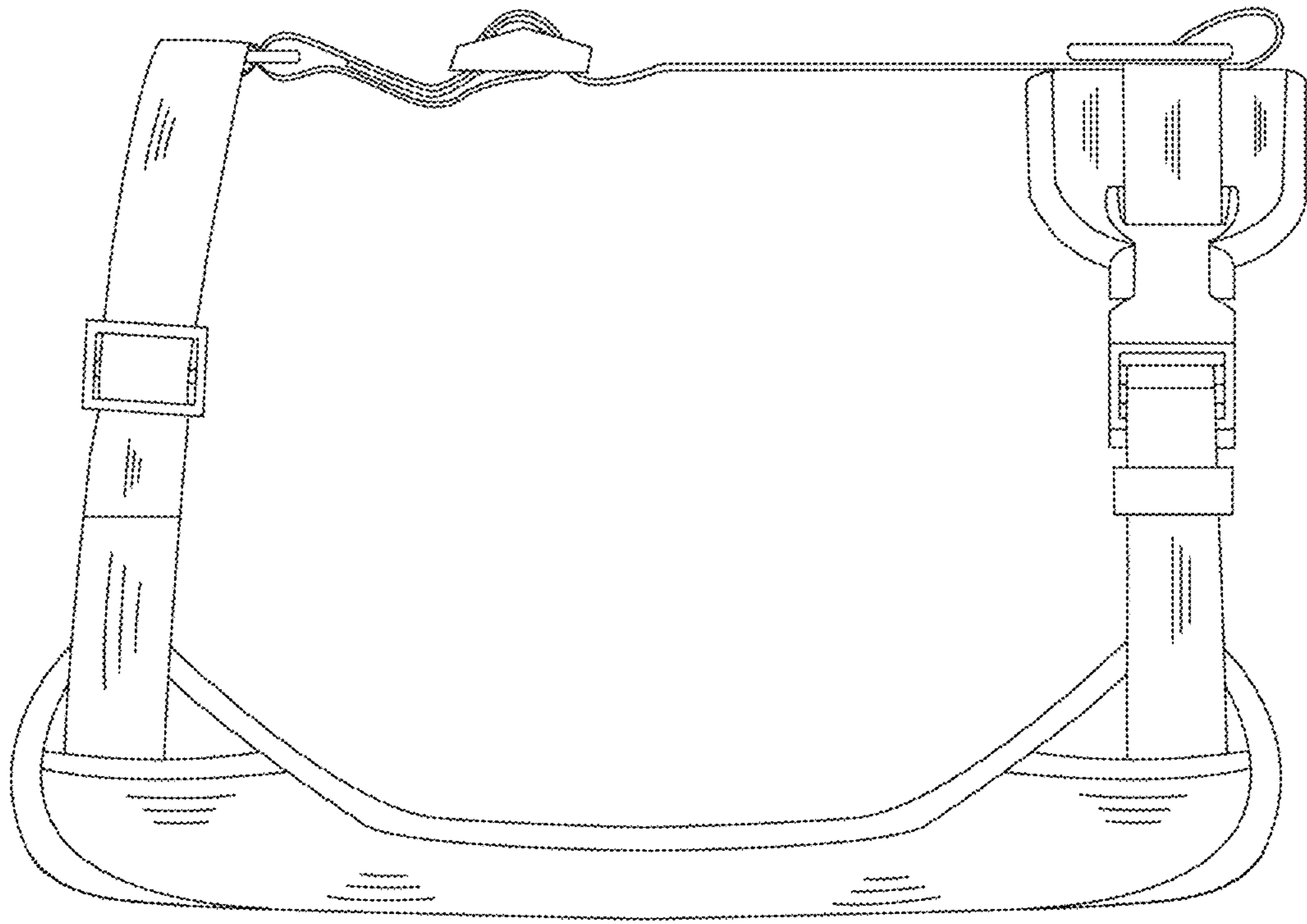


FIG.3

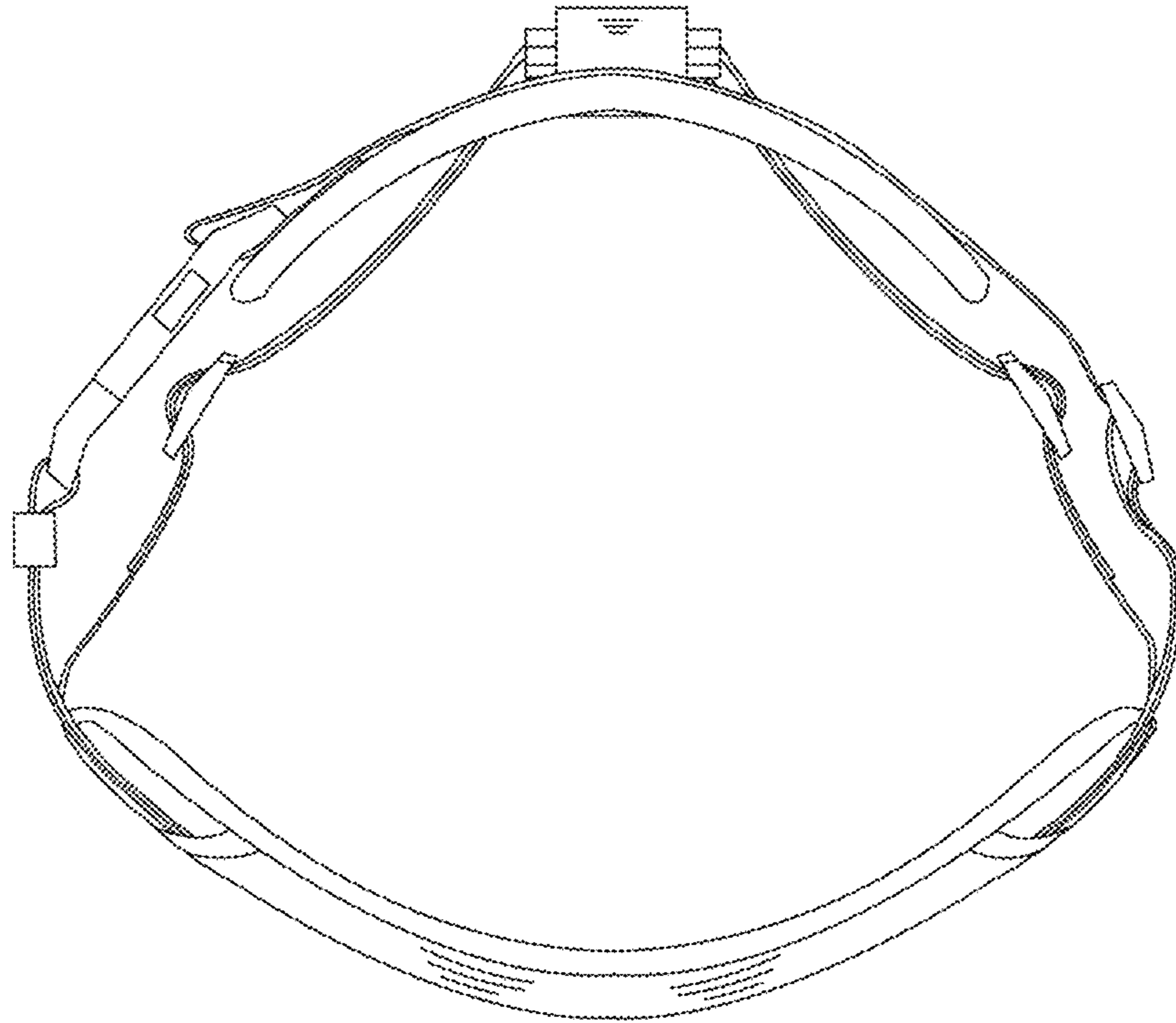


FIG.4

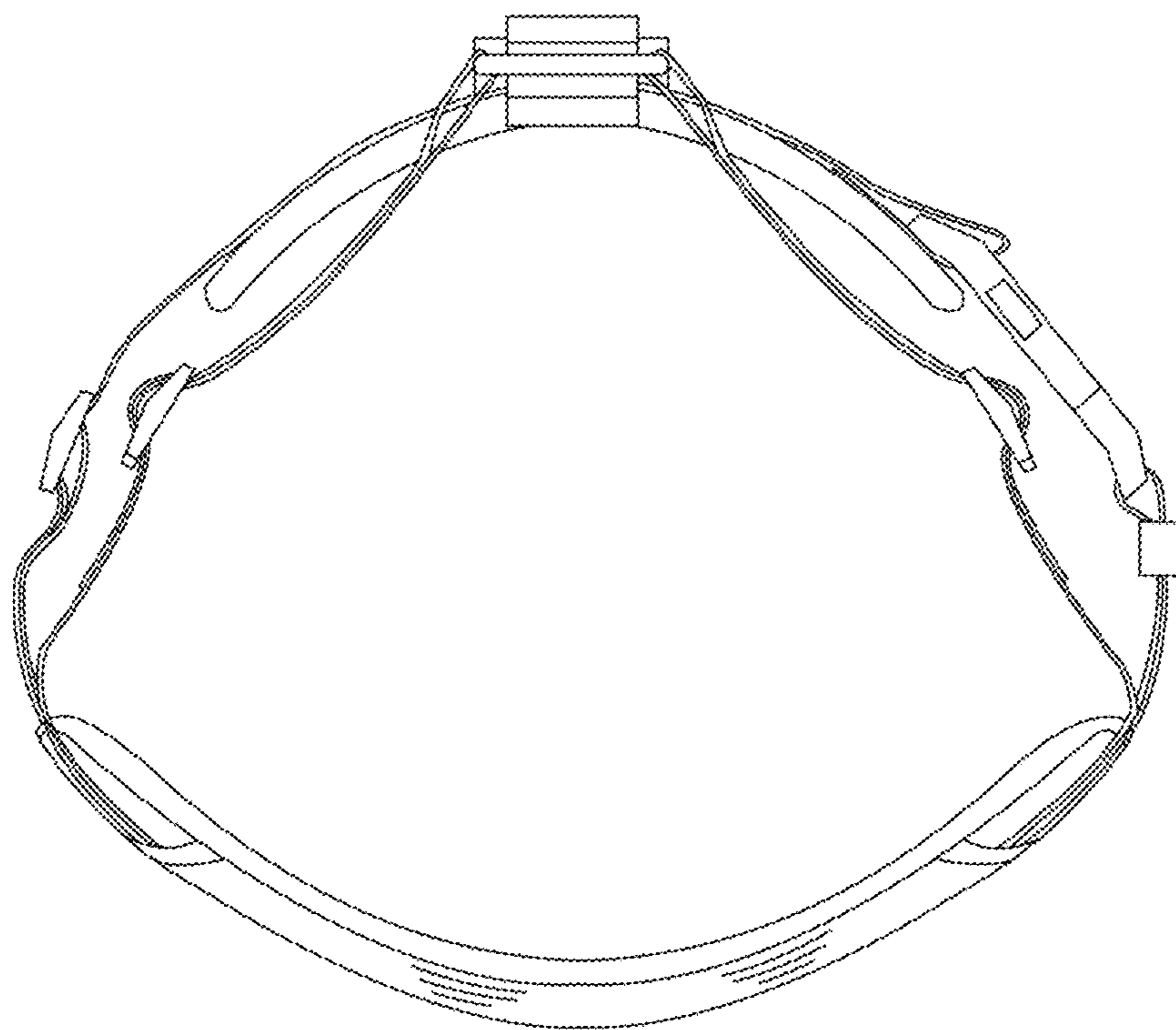


FIG.5

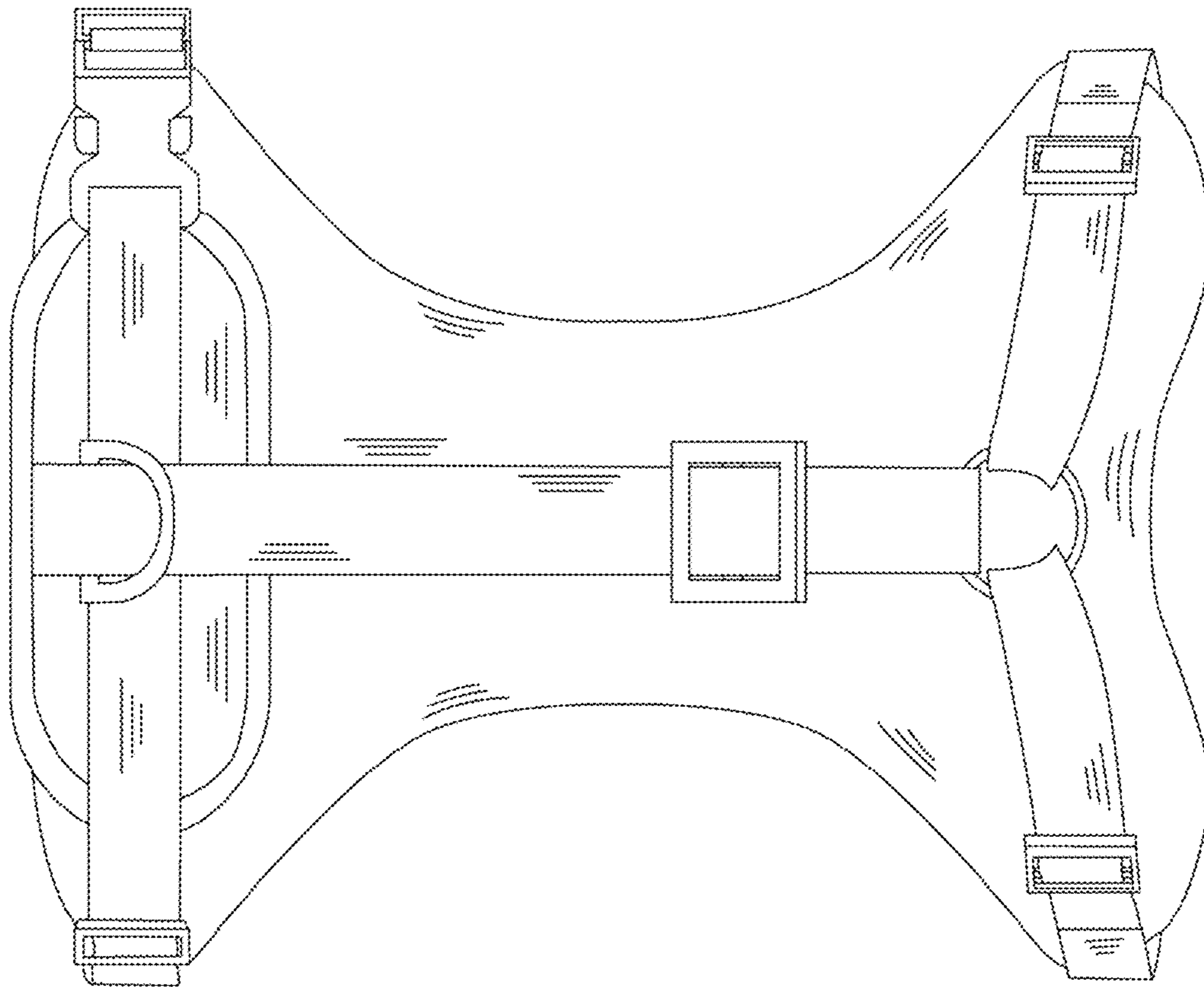


FIG.6

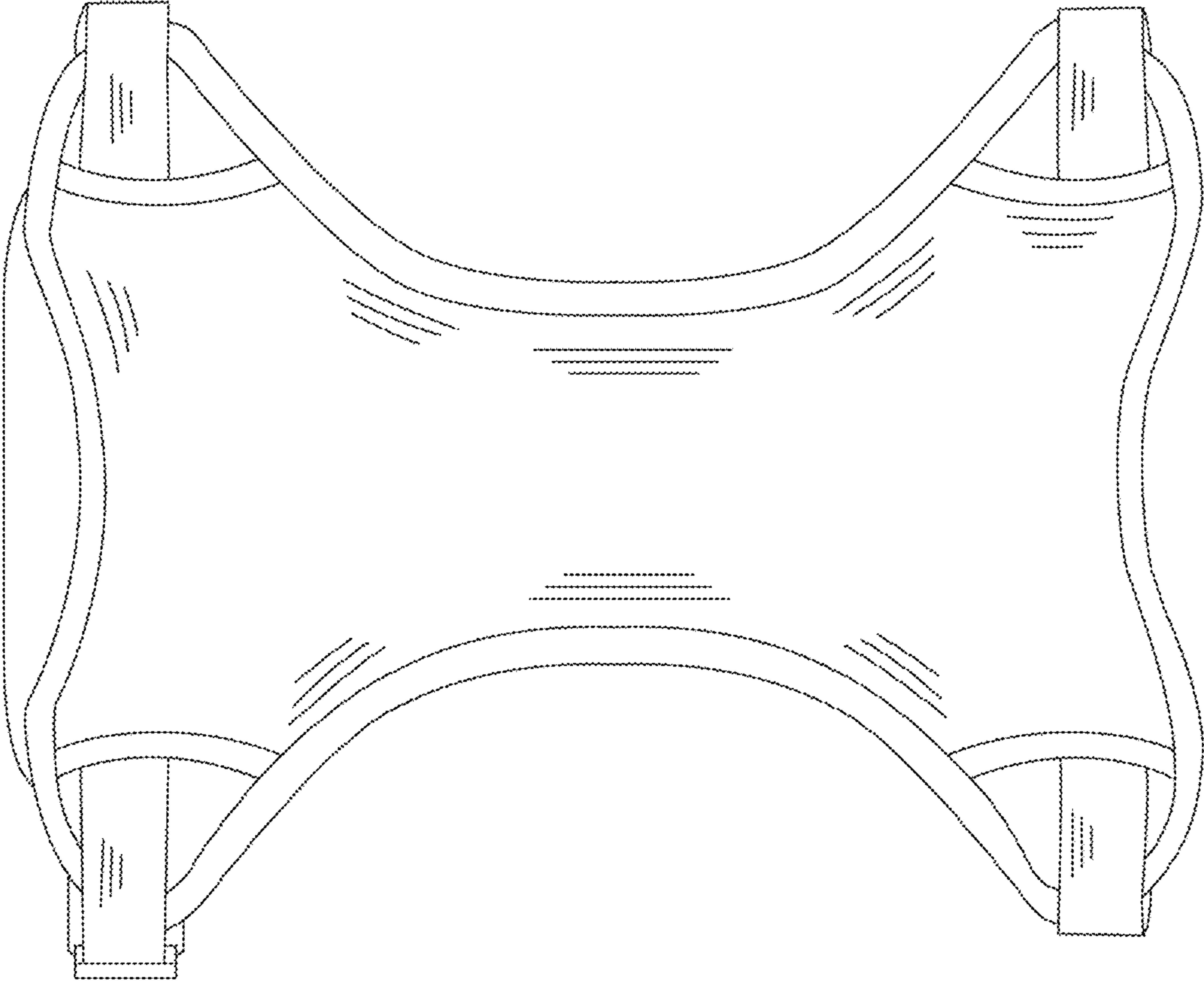


FIG. 7