



US00D971519S

(12) **United States Design Patent** (10) **Patent No.:** **US D971,519 S**  
**Iyo** (45) **Date of Patent:** **\*\* Nov. 29, 2022**

- (54) **ANIMAL COLLAR**
- (71) Applicant: **RABO, Inc.**, Tokyo (JP)
- (72) Inventor: **Yukiko Iyo**, Tokyo (JP)
- (73) Assignee: **RABO, INC.**, Tokyo (JP)
- (\*\*) Term: **15 Years**
- (21) Appl. No.: **29/710,675**
- (22) Filed: **Oct. 25, 2019**

D725,072 S \* 3/2015 Kim ..... D14/344  
 D726,052 S \* 4/2015 Henning ..... D10/70  
 D731,898 S \* 6/2015 Squires ..... D14/344  
 (Continued)

- (30) **Foreign Application Priority Data**
- Apr. 25, 2019 (JP) ..... 2019-009240
- (51) **LOC (13) Cl.** ..... **30-04**
- (52) **U.S. Cl.**
- USPC ..... **D30/152**
- (58) **Field of Classification Search**
- USPC ..... D30/152, 153, 199; D3/226; D10/30,  
D10/32, 38, 70, 104.1; D11/3; D14/144,  
D14/344; D24/167
- CPC .. A01K 27/009; A01K 15/021; A01K 27/001;  
A01K 11/006; A01K 11/008; A01K  
29/005; A01K 27/00
- See application file for complete search history.

**OTHER PUBLICATIONS**

“Catlog Smart Collar.” Found online May 4, 2022 at www.amazon.co.jp. Product first available Jan. 25, 2019. Retrieved from URL: <https://www.amazon.co.jp/-/en/Exercising-Exercise-Fashionable-Lightweight-Compatible/dp/B07N826Q9P> (Year: 2019).\*  
 (Continued)

*Primary Examiner* — Mary Ann Calabrese  
*Assistant Examiner* — Katelin G Kloberg  
 (74) *Attorney, Agent, or Firm* — Hauptman Ham, LLP

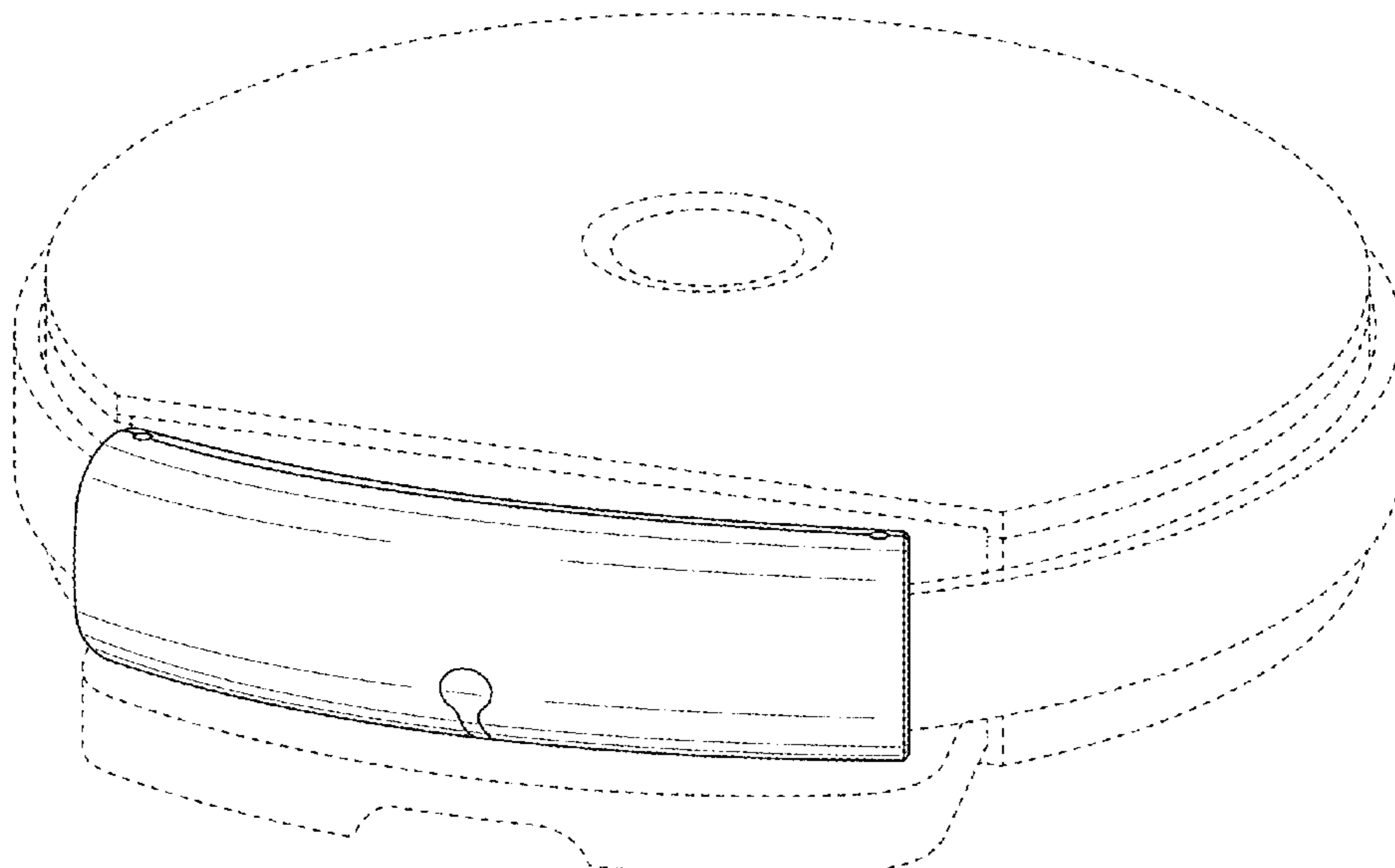
(57) **CLAIM**  
 The ornamental design for an animal collar, as shown and described.

**DESCRIPTION**

FIG. 1 is a front elevational view of an animal collar bearing the design;  
 FIG. 2 is a rear elevational view of the animal collar of FIG. 1;  
 FIG. 3 is left side elevational view of the animal collar of FIG. 1;  
 FIG. 4 is a right side elevational view of the animal collar of FIG. 1;  
 FIG. 5 is a top plan view of the animal collar of FIG. 1;  
 FIG. 6 is a bottom plan view of the animal collar of FIG. 1;  
 and,  
 FIG. 7 is a front-right-top perspective view of the animal collar of FIG. 1, wherein the wireless communication device of the animal collar is disposed on a charger.  
 The broken lines depict portions of the animal collar that form no part of the claimed design. In FIG. 7, the broken lines depicting a charger represent environmental subject matter that forms no part of the claimed design.

- (56) **References Cited**
- U.S. PATENT DOCUMENTS**
- D279,671 S \* 7/1985 Stanton ..... D10/32
- D347,733 S \* 6/1994 Miller ..... D3/226
- 5,952,925 A \* 9/1999 Seeker ..... A01K 15/02  
340/573.2
- D522,187 S \* 5/2006 Nottingham ..... D30/152
- D570,237 S \* 6/2008 Goetzl ..... D30/152
- D576,908 S \* 9/2008 Gruenke ..... D11/3
- D706,159 S \* 6/2014 Ma ..... D11/3
- D708,797 S \* 7/2014 MacDonald ..... D30/199
- D715,675 S \* 10/2014 Ma ..... D11/3

**1 Claim, 4 Drawing Sheets**



(56)

## References Cited

## U.S. PATENT DOCUMENTS

D742,373	S	*	11/2015	Ji	.....	D14/344
D745,229	S	*	12/2015	Pulliam	.....	D30/199
D749,569	S	*	2/2016	Ji	.....	D14/344
D751,068	S	*	3/2016	Erbeus	.....	D14/344
D751,069	S	*	3/2016	Choi	.....	D10/70
D751,549	S	*	3/2016	Park	.....	D14/344
9,277,734	B1	*	3/2016	Paradis	.....	A01K 27/009
D772,869	S	*	11/2016	Iizuka	.....	D10/70
D803,709	S	*	11/2017	Le Bihan	.....	D10/70
D812,499	S	*	3/2018	Kuh	.....	D10/70
D816,080	S	*	4/2018	Chen	.....	D14/344
D822,915	S	*	7/2018	McKee	.....	D30/152
D836,858	S	*	12/2018	Zinn	.....	D10/104.1
D846,817	S	*	4/2019	Li	.....	D30/152
D860,989	S	*	9/2019	Choplin	.....	D14/344
D865,546	S	*	11/2019	Kellock	.....	D10/70
D865,761	S	*	11/2019	Choplin	.....	D14/344
D881,874	S	*	4/2020	Sobol	.....	D14/344
D910,010	S	*	2/2021	Russomanno	.....	D14/344
D922,883	S	*	6/2021	Tabbah	.....	D10/32
D929,879	S	*	9/2021	Paschke	.....	D10/70
D935,113	S	*	11/2021	Bocknek	.....	D30/152
D946,217	S	*	3/2022	Makarychev	.....	D10/104.1
D948,137	S	*	4/2022	Bocknek	.....	D30/152
D955,067	S	*	6/2022	Makarychev	.....	D30/152
2015/0099472	A1	*	4/2015	Ickovic	.....	A01K 15/021 455/66.1
2018/0064068	A1	*	3/2018	McKee	.....	A01K 27/001
2018/0303070	A1	*	10/2018	Chen	.....	A01K 11/008

## OTHER PUBLICATIONS

“Rabo, Inc.—Catlog.” Found online May 3, 2022 at [www.rabo.cat](http://www.rabo.cat). Page archived Apr. 1, 2019. Retrieved from URL: <https://web.archive.org/web/20190401030224/https://rabo.cat/> (Year: 2019).\*

“Zeerkeer Pet GPS Tracker.” Found online May 4, 2022 at [www.amazon.com](http://www.amazon.com). Product first available Jul. 18, 2019. Retrieved from URL: <https://www.amazon.com/ZEERKEER-Tracking-Attachment-Waterproof-Activity/dp/B07T88WW4Q> (Year: 2019).\*

“Collar to watch cat”, Monthly Niigata Komachi, Dec. 25, 2018, p. 114, Feb. 2019 Issue, Newsline Co., Ltd., 2pp.

“Latest Pet Business Report vol. 41”, Peiku Magazine, Jan. 5, 2019, pp. 10 to 11, 1-2 New Year Issue, Payke, Inc., 2pp.

“How does cats spend time at home alone? AI Cloud can tell you.”, M-On Entertainment, Jan. 25, 2019, pp. 58-59, Mar. 2019 Issue, M-On Entertainment, 2pp.

Really?! Watch you cats by It, Nikkei Business Daily, Morning newspaper, Oct. 29, 2018, p. 6, Nikkei Inc., 2pp.

“Watching among cat owners”, Nikkei Business Daily, Feb. 22, 2019, p. 18, Nikkei Inc., 2pp.

“Introducing Catlog, collar style device to watch cat at Makuake”, ITmedia Inc., Oct. 29, 2018, URL: <https://www.itmedia.co.jp/news/articles/1810/29/news057.html>, 11pp.

“Developed by cat lover! Collar style wearable Catlog to watch your cat 24 hours is on pre-sale at Makuake”, Mash Media Inc., Oct. 29, 2018, URL: <https://techable.jp/archives/86261>, 13pp.

“Starting cloud funding at Makuake, the collar style wearable device, Catlog, to watch your cat from anywhere”, PR Times Inc., Oct. 29, 2018, URL: <https://thebridge.jp/2018/10/catlog-crowdfunding-campaign?fbclid=IwAR0MTYEW8T9x8-D0bx-oCYkUmv5TxPSFzqc6RTPLPBcltKQChmxy95PGApY>, 2pp.

“Watch cat’s life with technology. Collar style wearable device, Catlog”, Makuake Inc., Oct. 29, 2018, URL: <https://www.makuake.com/project/catlog/>, 30pp.

“Biologing researcher develops life log tool for cat, Catlog”, Oath Japan, Oct. 29, 2018, URL: <https://japanese.engadget.com/2018/10/28/catlog/>, 13pp.

“Watch cat’s life with technology. Collar style wearable device for cat starts on pre-sale at Makuake”, PR Times Inc., Oct. 29, 2018, URL: <https://prtimes.jp/main/html/rd/p/000000004.000037478.html>, 12pp.

“1024catlog 1”, Joe Asano, Oct. 29, 2018, YouTube, URL: <https://youtu.be/8PKaN6W3v6A>, 4pp.

“Collar style wearable device to control cat’s health by cat’s running, eating and sleeping”, Impress Corporation, Oct. 30, 2018, URL: <https://kaden.watch.impress.co.jp/docs/news/1150660.html>, 9pp.

“Collar style wearable device, Catlog. You can check your cat on your smart phone”, Meitec Corporation, Oct. 31, 2018, URL: [https://fabcross.jp/news/2018/20181031\\_catwearabledevice\\_catlog.html](https://fabcross.jp/news/2018/20181031_catwearabledevice_catlog.html), 14pp.

“Monitoring your cats with cat activity recorder when away”, Yahoo Japan Corporation, Nov. 16, 2018, URL: <https://news.yahoo.co.jp/byline/musharyota/20181116-00104392/>, 10pp.

“Keeping kitty in purrfect health”, the Japan Times, Nov. 18, 2018, URL: <https://www.japantimes.co.jp/life/2018/11/18/digital/crowdfunding-crowd-pleasers/#.XN5rdcj7Q2z>, 1 pp.

“Future collar which sends cat activity to your smart phone when away”, Shogakukan Inc., URL: [https://petomorrow.jp/news\\_cat/80986](https://petomorrow.jp/news_cat/80986), 16pp.

Catlog Interview with Yukiko Ito, Administrative Scrivener Corporation Jinjer, Nov. 26, 2018, URL: <https://kigyosapri.com/kigyo/note/7651/>, 13pp.

“Interview—collar style device to know your cat’s status when out. Catlog—What’s the ideal relationship with your cat for the cat lover developer?”, Mash Media Inc., Nov. 30, 2018, URL: <https://techable.jp/archives/87842>, 14pp.

Trial cats to take activity data wanted, Wantedly Inc., Dec. 21, 2018, URL: <https://www.wantedly.com/projects/262900>, 22pp.

“All for cats. Episode for developing Catlog, future collar to inform you cat’s activity.”, NPO Marketing Labo, Jan. 10, 2019, URL: <https://kifuru.org/interview/catlog/>, 31pp.

“Amazing latest cat gazette of 2019. Tried toilet, auto-auto feeder and camera.”, Recruit Holdings Co., Ltd., Jan. 31, 2019, URL: <http://suumo.jp/journal/2019/01/31/162017/>, 29pp.

“Rabo develops Catlog. Conducted research on life with cats. It turned out that many owner leaves cats at home worrying but have not taken any measures.”, PR Times Inc., Jan. 31, 2019, URL: <https://prtimes.jp/main/html/rd/p/000000005.000037478.html>, 14pp.

“Cat Startup—watching between cat owners in SNS”, Nikkei Inc., Feb. 22, 2019, URL: <https://r.nikkei.com/article/DGXMZO41572600R20C19A2000000?s=2>, 4pp.

“Collaborate with animal welfare—Donate on sales of Catlog, bond collar between cat and owner.”, Asahi Interactive Inc., Feb. 28, 2019, URL: <https://japan.cnet.com/article/35133320/>, 8pp.

“Done 400 yen by purchasing Cattlog, logging device for cats. Rabo supports cat protection activity.”, Oath Japan, Feb. 28, 2019, URL: <https://jp.techcrunch.com/2019/02/28/rabo-catlog-animaldonation/>, 11pp.

“You can donate to animal welfare by purchasing Catlog at web media Kifuru. Starting cause marketing business.”, PR Times Inc., Feb. 28, 2019, URL: <https://prtimes.jp/main/html/rd/p/000000004.000032835.html>, 8pp.

“Catlog, “relationship collar” with owner, collaborates with animal welfare, “Animal Donation”. Donation by Catlog sales brings more happy cats.”, PR Times Inc., Feb. 28, 2019, URL: <https://prtimes.jp/main/html/rd/p/000000006.000037478.html>, 8pp.

“Exhibition sales of Catlog, watching cat’s life with technology, confirmed at Tsutaya kaden, Japan’s next generation showroom on April 5.”, PR Times Inc., Mar. 27, 2019, URL: <https://prtimes.jp/main/html/rd/p/000000007.000037478.html>, 8pp.

“Tsutaya Kaden—Opening date confirmed. 1st period—announcement of exhibition product.”, PR Times Inc., Mar. 27, 2019, URL: <https://prtimes.jp/main/html/rd/p/000000006.000040177.html>, 11pp.

Tsutaya Kaden Plus, Tsutaya Kaden Enterporise Co., Ltd., Apr. 4, 2019, URL: [https://store.tsite.jp/tsutayaelectricplus-futako/?\\_ga=2.68658393.978023831.1558427484-911738031.1558427484](https://store.tsite.jp/tsutayaelectricplus-futako/?_ga=2.68658393.978023831.1558427484-911738031.1558427484), 8pp.

Catlog/ wearable collar for cats, Tsutaya Kaden Enterprise Co., Ltd., Apr. 4, 2019, URL: <https://store.tsite.jp/tsutayaelectricplus-futako/event/magazine/5945-2206070403.html>, 4pp.

“Rabo, developer of catlog, wearable device for cats gets fund of several tens of millions yen from angel inventors”, PR Times, Inc., Apr. 22, 2019, URL: <https://thebridge.jp/2019/04/rabo-seed-round->

(56)

**References Cited**

## OTHER PUBLICATIONS

funding?fbclid=IwAR30d5-wAYInx1O6okILxN\_qoYnfV42rU-QEHA0tAse70d5qKqkce65buJ0, 2pp.

“Rabo gets first fund for developing Catlog, logging device for cats.”, Oath Japan, Apr. 22, 2019, URL: [https://jp.techcrunch.com/2019/04/22/rabo-first-funding/?fbclid=IwAR0fm2xv8sO3XVmQoXddN6LZFLVarrbpeha6qRtSIVQ0yBX81ay\\_fLV3wCk](https://jp.techcrunch.com/2019/04/22/rabo-first-funding/?fbclid=IwAR0fm2xv8sO3XVmQoXddN6LZFLVarrbpeha6qRtSIVQ0yBX81ay_fLV3wCk), 13pp.

“Fund of several tens of millions yen from angel inventors at seed round”, PR Times Inc., Apr. 22, 2019, URL: <https://prtimes.jp/main/html/rd/p/000000008.000037478.html>, 10pp.

“Watch cat’s life with technology. Starting pre-sales of cat’s collar style wearable device, Catlog at Makuake”, Rabo Inc., Oct. 29, 2018, URL: <https://rabo.cat/news/285>, 12pp.

“Catlog—watch cat’s life with technology”, Rabo Inc., Oct. 29, 2018, URL: <https://rabo.cat/>, 5pp.

“Catlog—Introducing image of Kitten Blue wear”, Rabo Inc., Oct. 31, 2018, URL: <https://rabo.cat/news/362>, 6pp.

“Catlog—Off shots of Kitten Blue (x Navy belt)”, Rabo Inc., Nov. 1, 2018, URL: <https://rabo.cat/news/369>, 4pp.

“Catlog—Secrets in pendant design 1”, Rabo Inc., Nov. 6, 2018, URL: <https://rabo.cat/news/372>, 4pp.

“Catlog—Secrets in pendant design 2”, Rabo Inc., Nov. 13, 2018, URL: <https://rabo.cat/news/390>, 4pp.

“Catlog—Pendant Collar Chip Confirmed”, Rabo Inc., Nov. 29, 2018, URL: <https://rabo.cat/news/438>, 4pp.

“Catlog—Checked Sample Belt”, Rabo Inc., Dec. 17, 2018, URL: <https://rabo.cat/news/694>, 4pp.

“Catlog—Sample Belt”, Rabo Inc., Dec. 21, 2018, URL: <https://rabo.cat/news/646>, 6pp.

“Catlog—Housing Mock”, Rabo Inc., Jan. 9, 2019, URL: <https://rabo.cat/news/871>, 6pp.

“Cat’s whisker is an important sensor”, Rabo Inc., Jan. 11, 2019, URL: <https://rabo.cat/news/914>, 4pp.

Instagram for catlog\_rabo, Jan. 17, 2019, URL: [https://www.instagram.com/catlog\\_rabo/](https://www.instagram.com/catlog_rabo/), 2pp.

“Cat Day”, Rabo Inc., Jan. 21, 2019, URL: <https://rabo.cat/news/1128>, 5pp.

“Delilah Cat Report”, Rabo Inc., Jan. 29, 2019, URL: <https://rabo.cat/news/1196>, 4pp.

“Conduct Search for life with cat. It turned out that many cat owners leave cats home frequently even though they worry how they are doing, but no measurement has been taken.”, Rabo Inc., Jan. 31, 2019, URL: <https://rabo.cat/news/1228>, 10pp.

“Finally Catlog Arrived!”, Rabo Inc., Feb. 8, 2019, URL: <https://rabo.cat/news/1420>, 6pp.

“Retrieved Cat’s log”, Rabo Inc., Feb. 12, 2019, URL: <https://rabo.cat/news/1434>, 8pp.

Catlog Store, Rabo Inc., Feb. 22, 2019, URL: <https://store.rabo.cat/>, 4pp.

“Catlog, unite cats with owners by collar, collaborates with Animal Donation who acts animal welfare. We donate from our sales to make more cats happy”, RABO Inc., Feb. 28, 2019, URL: <https://rabo.cat/news/2325>, 6pp.

“Sales at Tsutaya-kaden, which is a Japan’s next generation showroom, confirmed. Opens April 5th.”, Rabo Inc., Mar. 27, 2019, URL: <https://rabo.cat/news/2407>, 6pp.

“Secret of Catlog Belts.”, Rabo Inc., Apr. 16, 2019, URL: <https://rabo.cat/news/2510>, 6pp.

“Fund of several tens of millions yen from angel inventors at seed round”, Rabo Inc., Apr. 22, 2019, URL: <https://rabo.cat/news/2563>, 6pp.

\* cited by examiner

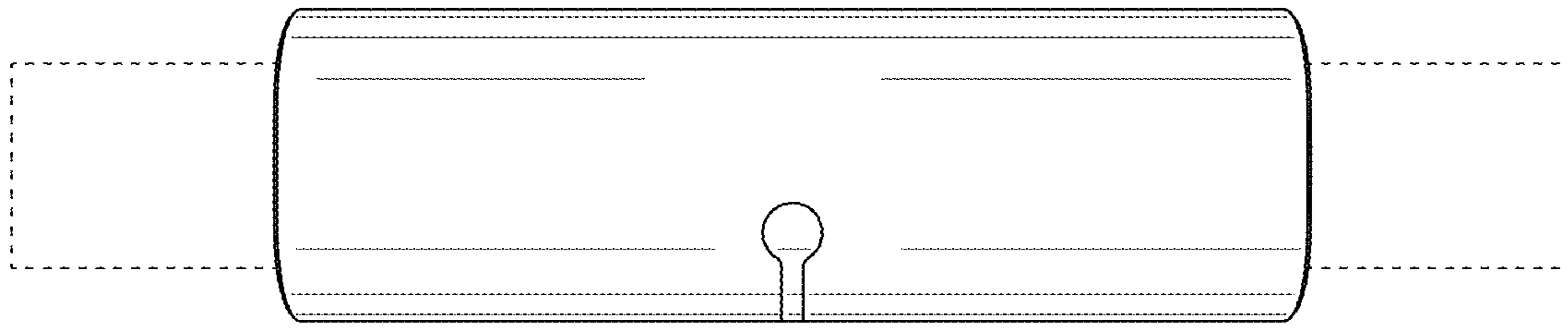


FIG. 1

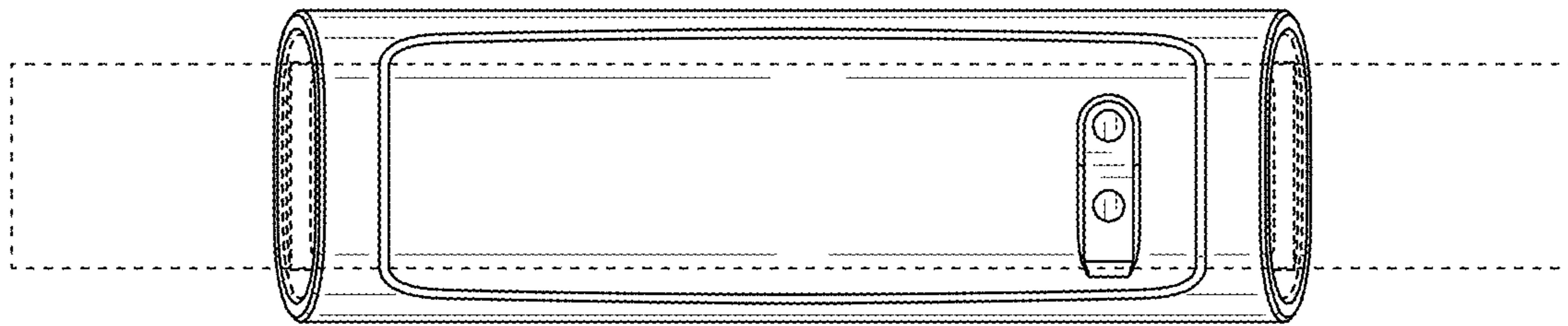


FIG. 2

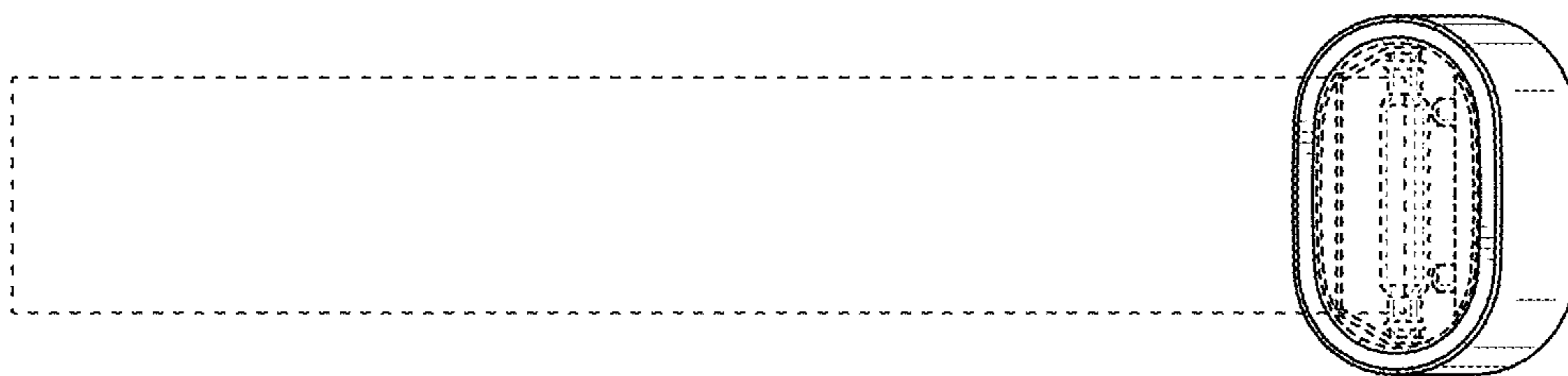


FIG. 3

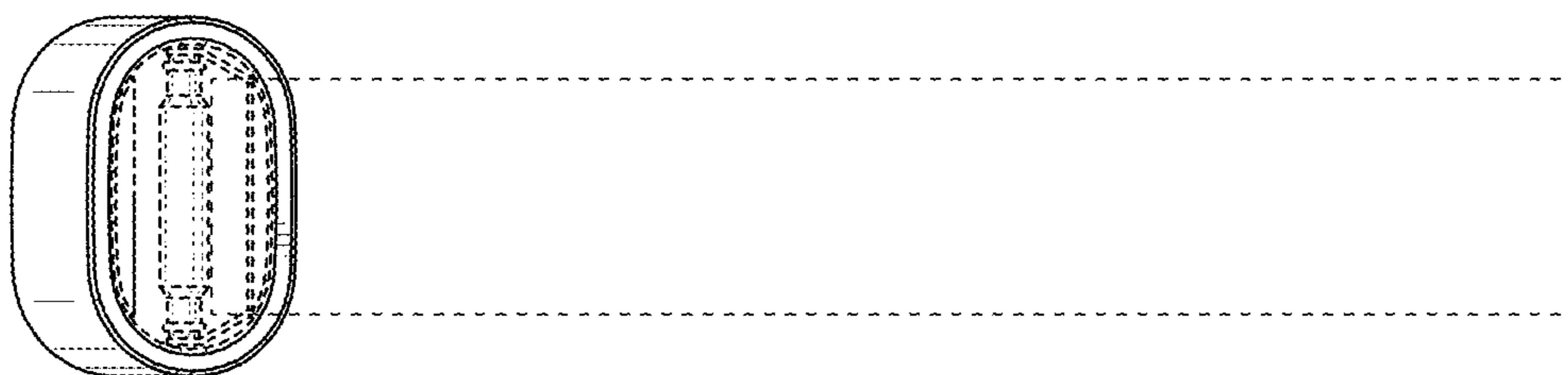


FIG. 4

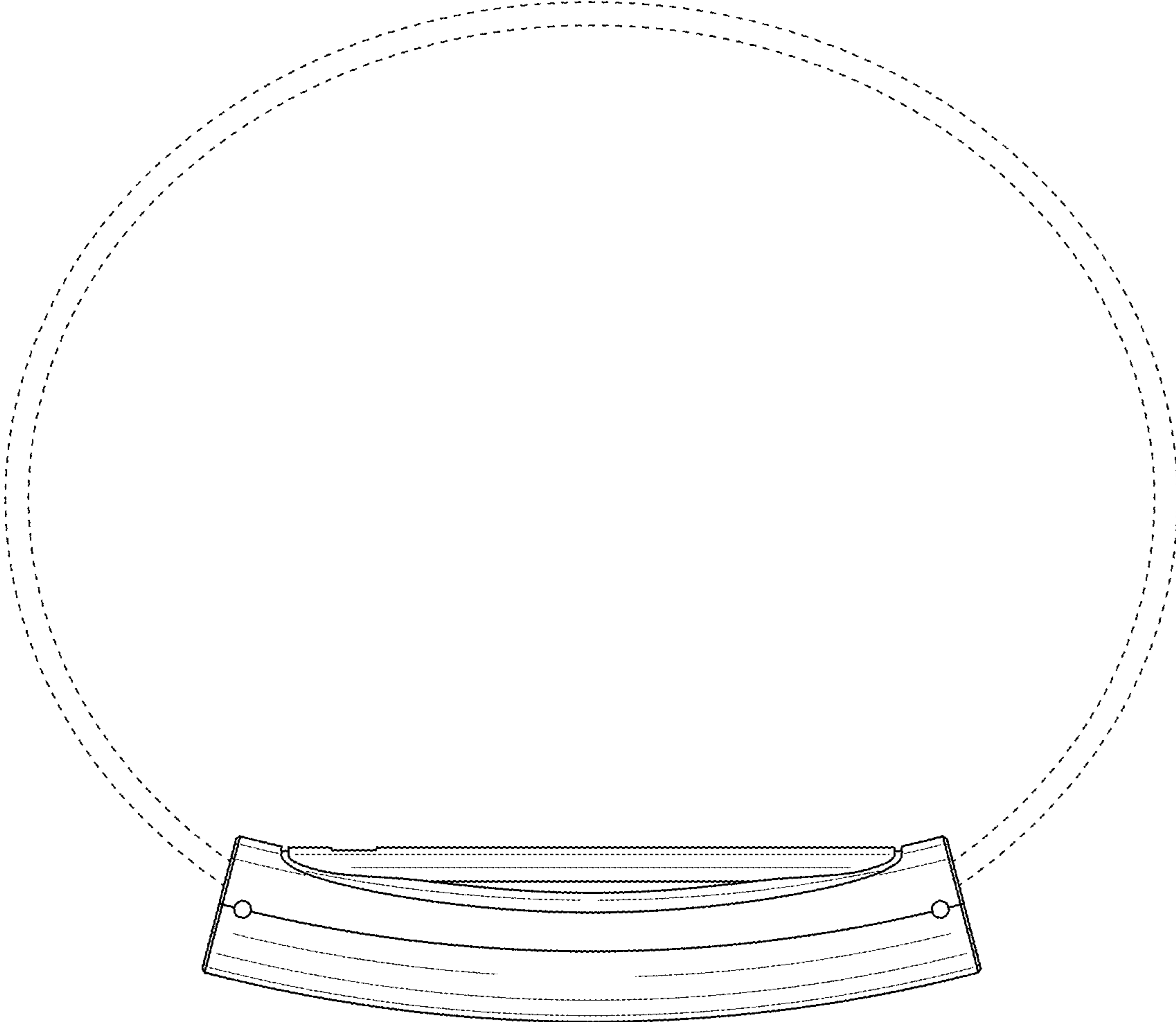


FIG. 5

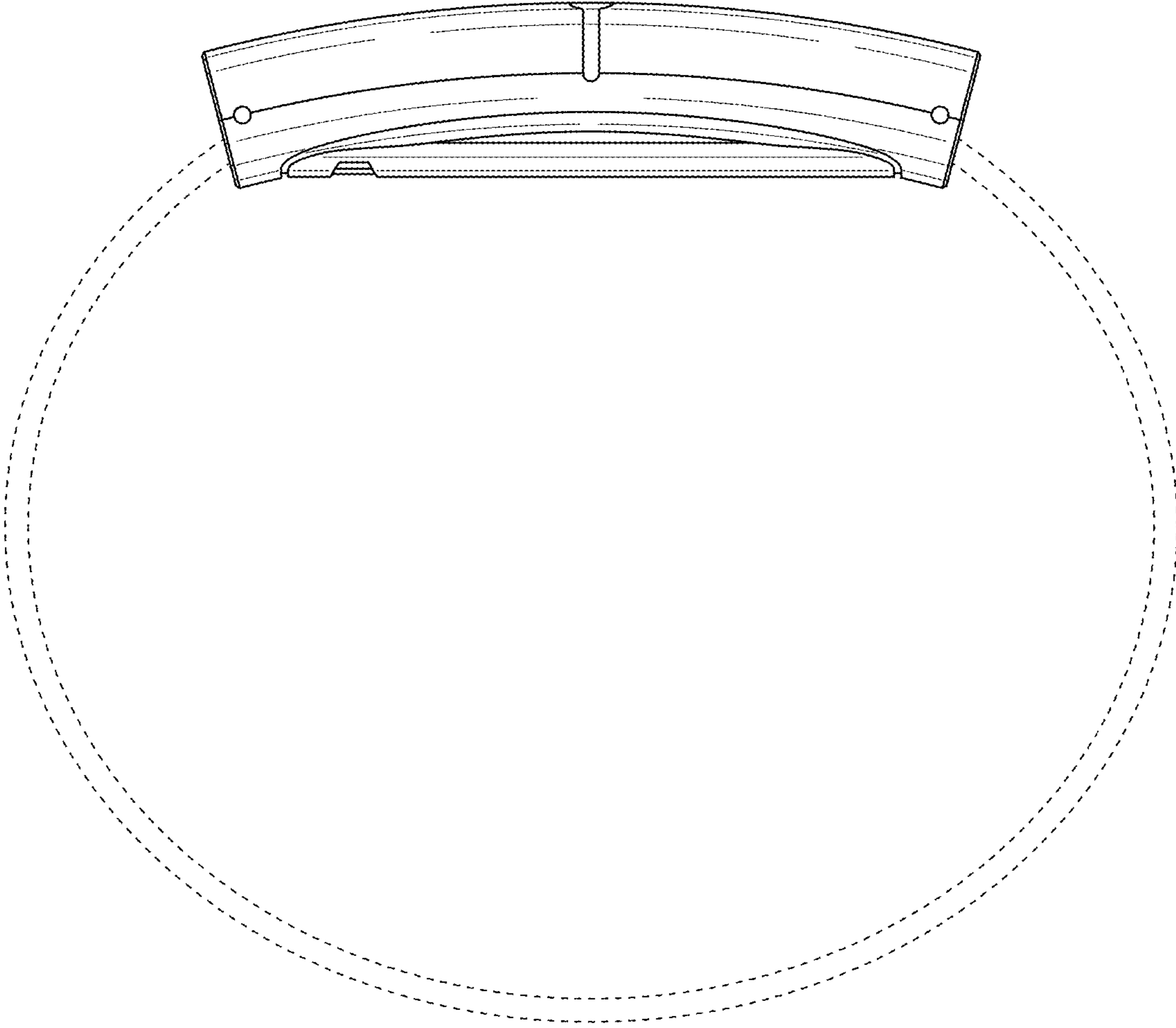
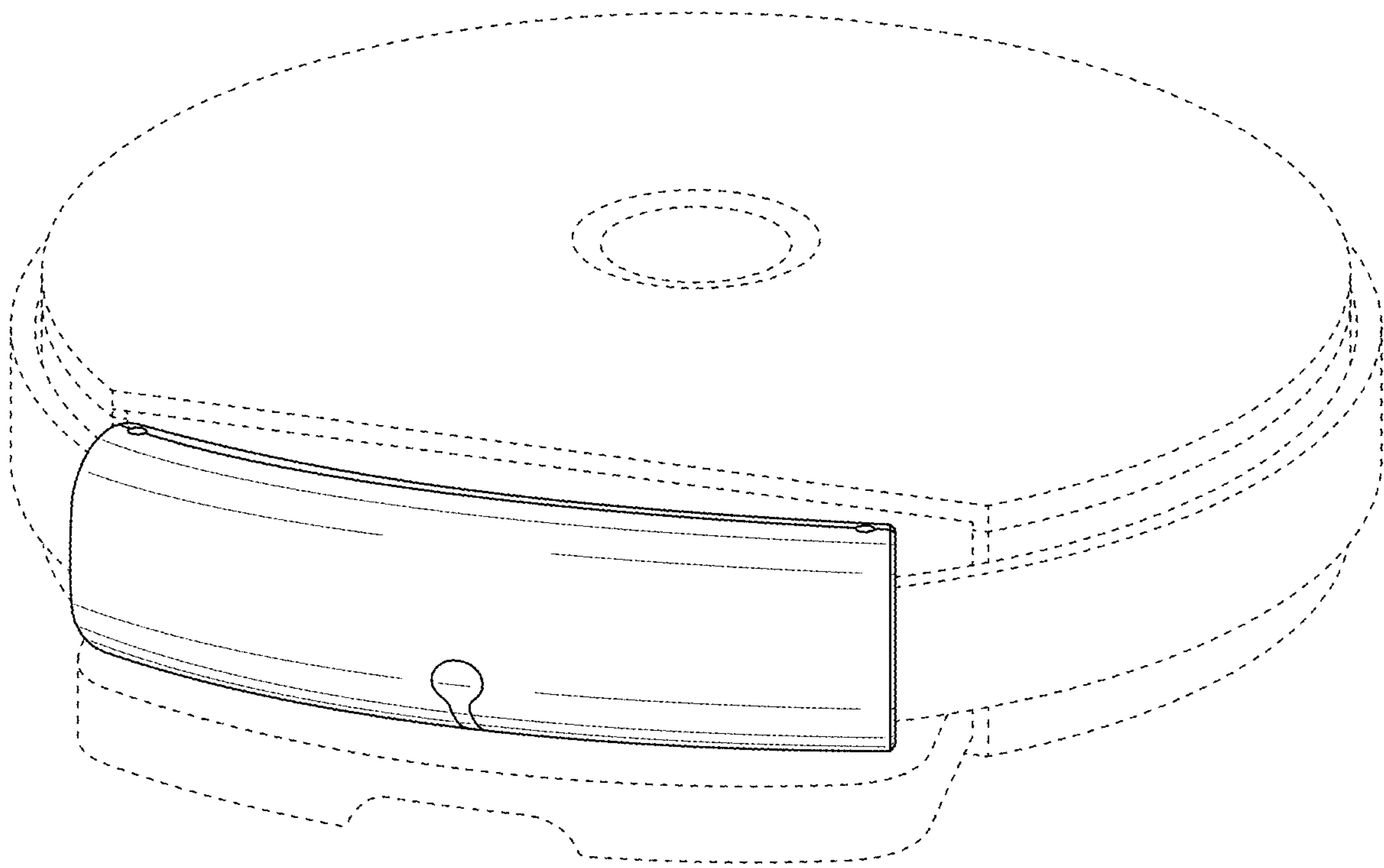


FIG. 6



*FIG. 7*