



US00D971514S

(12) **United States Design Patent**  
**Liu**

(10) **Patent No.:** **US D971,514 S**

(45) **Date of Patent:** **\*\* Nov. 29, 2022**

(54) **PAIR OF PET BOWLS WITH ADJUSTABLE STANDS**

(71) Applicant: **SHENZHEN HUACHUANG ZHIHUI ELECTRONIC COMMERCE CO., LTD.**, Shenzhen (CN)

(72) Inventor: **Zhao Liu**, Shenzhen (CN)

(73) Assignee: **SHENZHEN HUACHUANG ZHIHUI ELECTRONIC COMMERCE CO., LTD.**, Shenzhen (CN)

(\*\*) Term: **15 Years**

(21) Appl. No.: **29/814,880**

(22) Filed: **Nov. 9, 2021**

(51) **LOC (13) Cl.** ..... **30-03**

(52) **U.S. Cl.**  
USPC ..... **D30/133**

(58) **Field of Classification Search**  
USPC ..... D30/110, 114, 115, 116, 121, 122, 124, D30/125, 127, 128, 129, 130, 131, 132, D30/133; D7/566, 587; D21/340  
CPC ..... A01K 5/0114; A01K 5/0121; A01K 5/02; A01K 5/0291; A01K 5/025; A01K 5/0266; A01K 5/0275; A01K 5/0283; A01K 5/0258; A01K 5/0142; A01K 5/0233; A01K 29/00; A01K 7/00; G01F 11/24; G01F 23/02; B67D 1/0425; B67D 1/04; B67D 1/00; B67D 1/02; B67D 1/0871; B67D 1/0802; A47J 41/0033; A47J 41/005; A47J 41/0088; A47J 41/0094; A47J 41/04; A47J 41/053; B05B 11/00; B05B 11/0002; B05B 11/0005; B05B 11/001; C02F 1/003; C02F 1/283; C02F 2307/02

See application file for complete search history.

(56) **References Cited**

**U.S. PATENT DOCUMENTS**

4,658,759 A \* 4/1987 Brown ..... A01K 5/0114  
119/61.5  
D386,838 S \* 11/1997 Pini ..... D30/133

D506,294 S \* 6/2005 Boje ..... D30/133  
7,341,019 B1 \* 3/2008 Tsengas ..... A01K 7/005  
119/61.5

D653,001 S \* 1/2012 Tsengas ..... D30/131  
(Continued)

**OTHER PUBLICATIONS**

PETTOM elevated dog bowls. PETTOM, amazon.com (online) 10 pages. Posted Nov. 22, 2021. [Retrieved Aug. 4, 2022] [https://www.amazon.com/dp/B09MCXYMN8?ref=cm\\_sw\\_r\\_em\\_ud\\_dp\\_ADSE7A841GGRZPXFCH41](https://www.amazon.com/dp/B09MCXYMN8?ref=cm_sw_r_em_ud_dp_ADSE7A841GGRZPXFCH41) (Year: 2021).\*

(Continued)

*Primary Examiner* — Kathleen L Jones  
*Assistant Examiner* — Cole Sanders Holman

(57) **CLAIM**

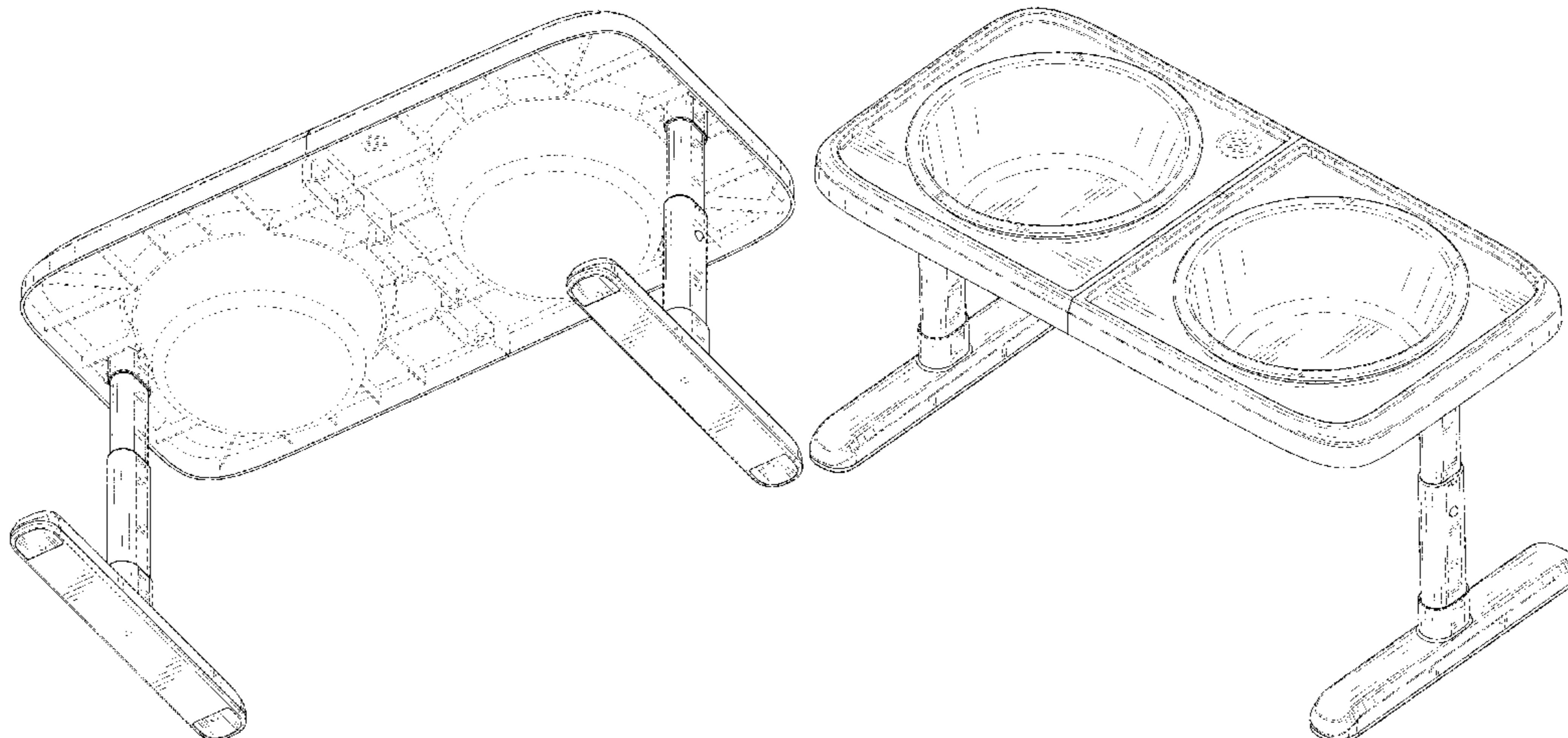
The ornamental design for a pair of pet bowls with adjustable stands, as shown and described.

**DESCRIPTION**

FIG. 1 is a perspective view of a pair of pet bowls with adjustable stands showing my new design; FIG. 2 is another perspective view thereof; FIG. 3 is a top plan view thereof; FIG. 4 is a bottom plan view thereof; FIG. 5 is a left side elevational view thereof; FIG. 6 is a right side elevational view thereof; FIG. 7 is a front elevational view thereof; FIG. 8 is a rear elevational view thereof; and, FIG. 9 is a perspective view of the pair of pet bowls with adjustable stands where the pair of pet bowls with adjustable stands is shown in a contracted state and a pair of the adjustable stands is removed.

The broken lines in the drawings depict portions of the pair of pet bowls with adjustable stands that form no part of the claimed design.

**1 Claim, 9 Drawing Sheets**



(56)

**References Cited**

U.S. PATENT DOCUMENTS

D662,674	S	*	6/2012	Tsengas	.....	D30/131
D679,455	S	*	4/2013	Chance	.....	D30/131
D822,914	S	*	7/2018	Yang	.....	D30/131
D872,380	S		1/2020	Liu		
D908,401	S	*	1/2021	Jenkins	.....	D6/656.17
D918,488	S		5/2021	Kerr et al.		
D919,196	S	*	5/2021	Chen	.....	D30/131
D943,836	S	*	2/2022	Lai	.....	D30/133
D622,558	S	*	8/2022	Yang	.....	D30/131
2005/0115508	A1	*	6/2005	Little	.....	A01K 5/0114 119/61.5
2010/0162961	A1	*	7/2010	Hove	.....	A01K 7/00 119/51.5

OTHER PUBLICATIONS

NHILES Adjustable Elevated Dog Bowls. NHILES, amazon.com (online) 9 pages. Posted Apr. 27, 2022. [Retrieved Aug. 4, 2022] [https://www.amazon.com/dp/B09YXYPKRN?\\_encoding=UTF8&psc=1&ref\\_=cm\\_sw\\_r\\_em\\_ud\\_dp\\_89QQDNNXRW7XRD5A6NJ](https://www.amazon.com/dp/B09YXYPKRN?_encoding=UTF8&psc=1&ref_=cm_sw_r_em_ud_dp_89QQDNNXRW7XRD5A6NJ) (Year: 2022).\*

Zhang Chunfeng, CN Design No. 307063013, published at Orbit, publication date Jan. 11, 2022. Site visited Aug. 5, 2022. Available from internet. (Year: 2022).\*

\* cited by examiner

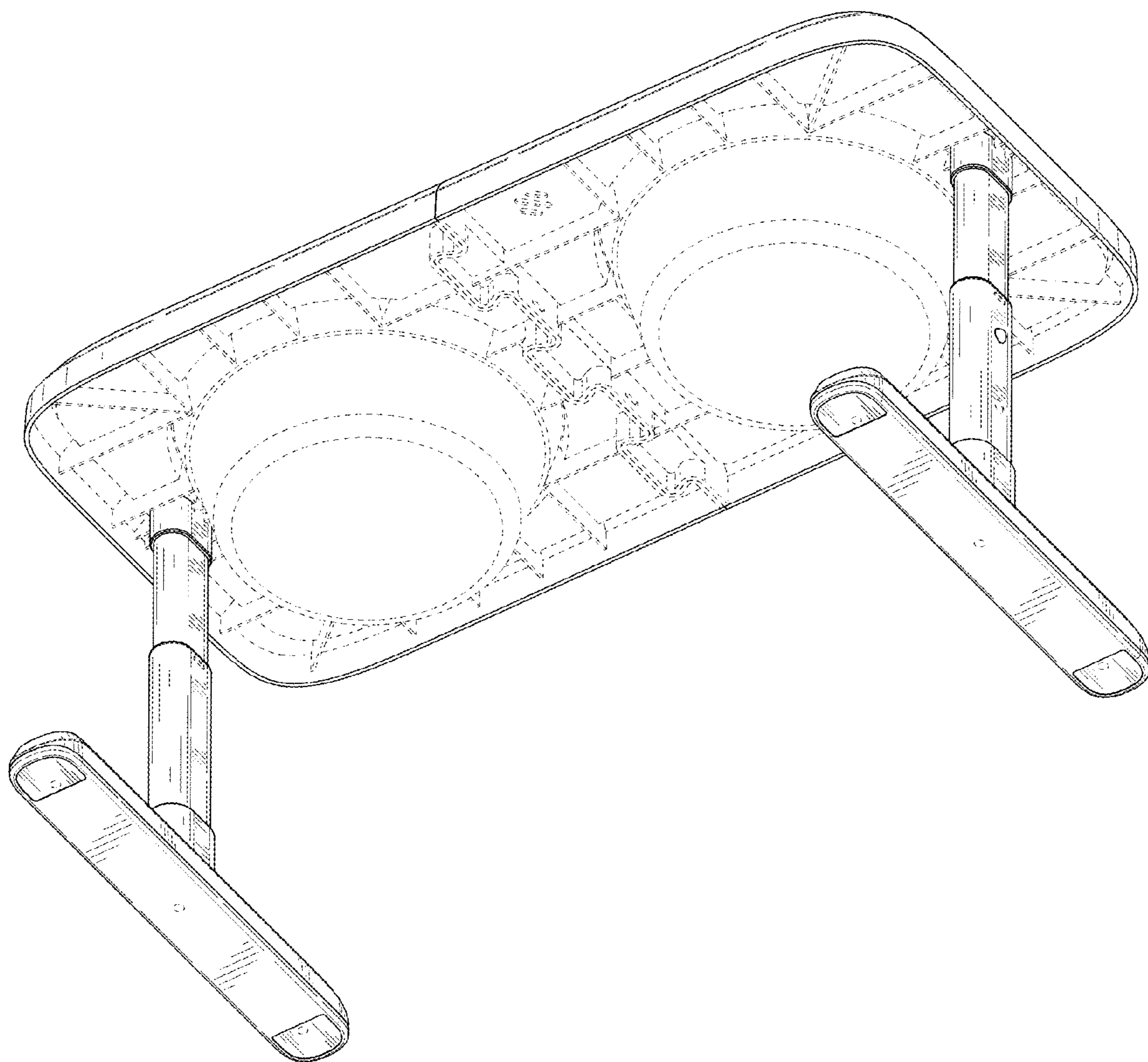


FIG. 1

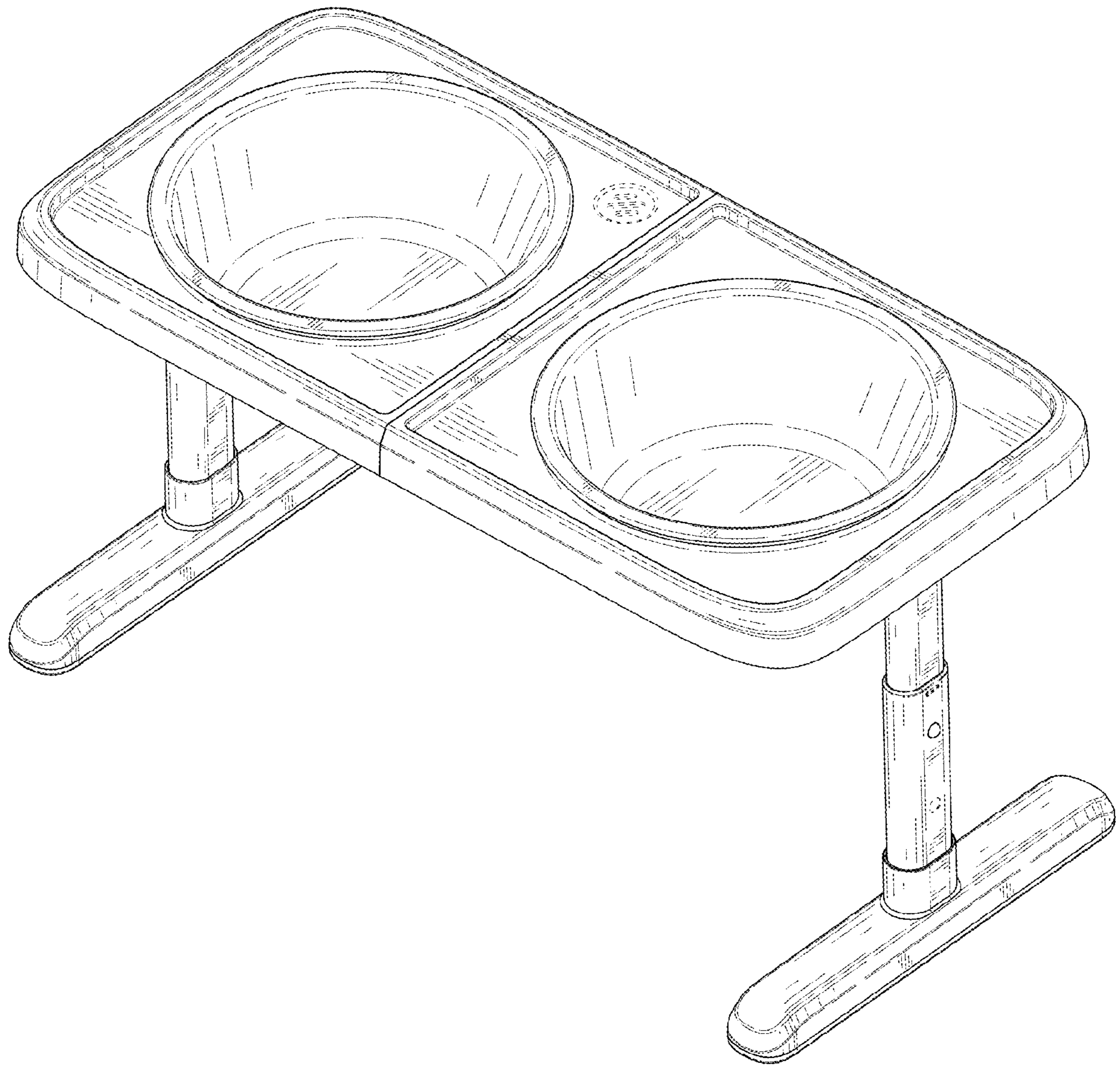


FIG. 2

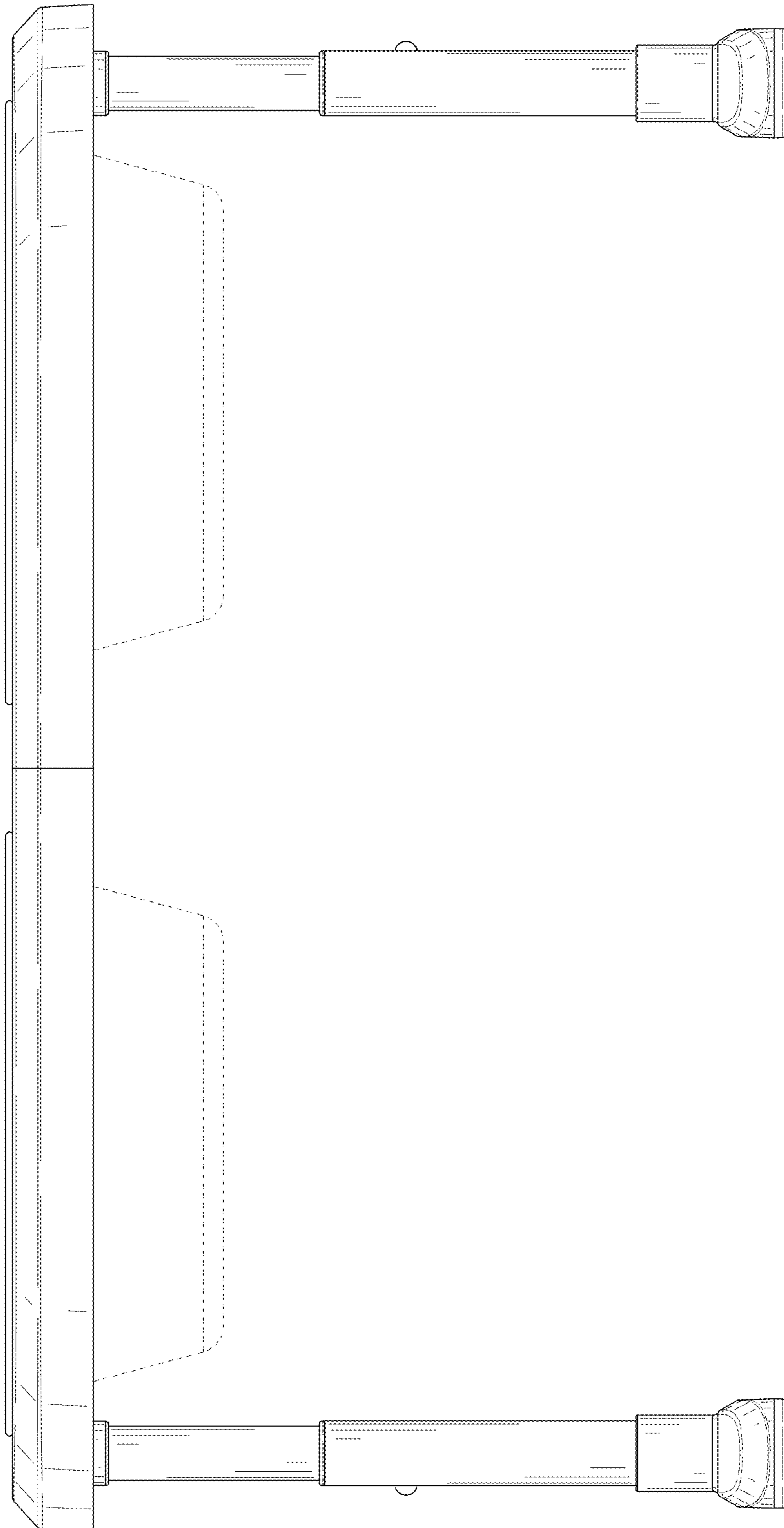


FIG. 3

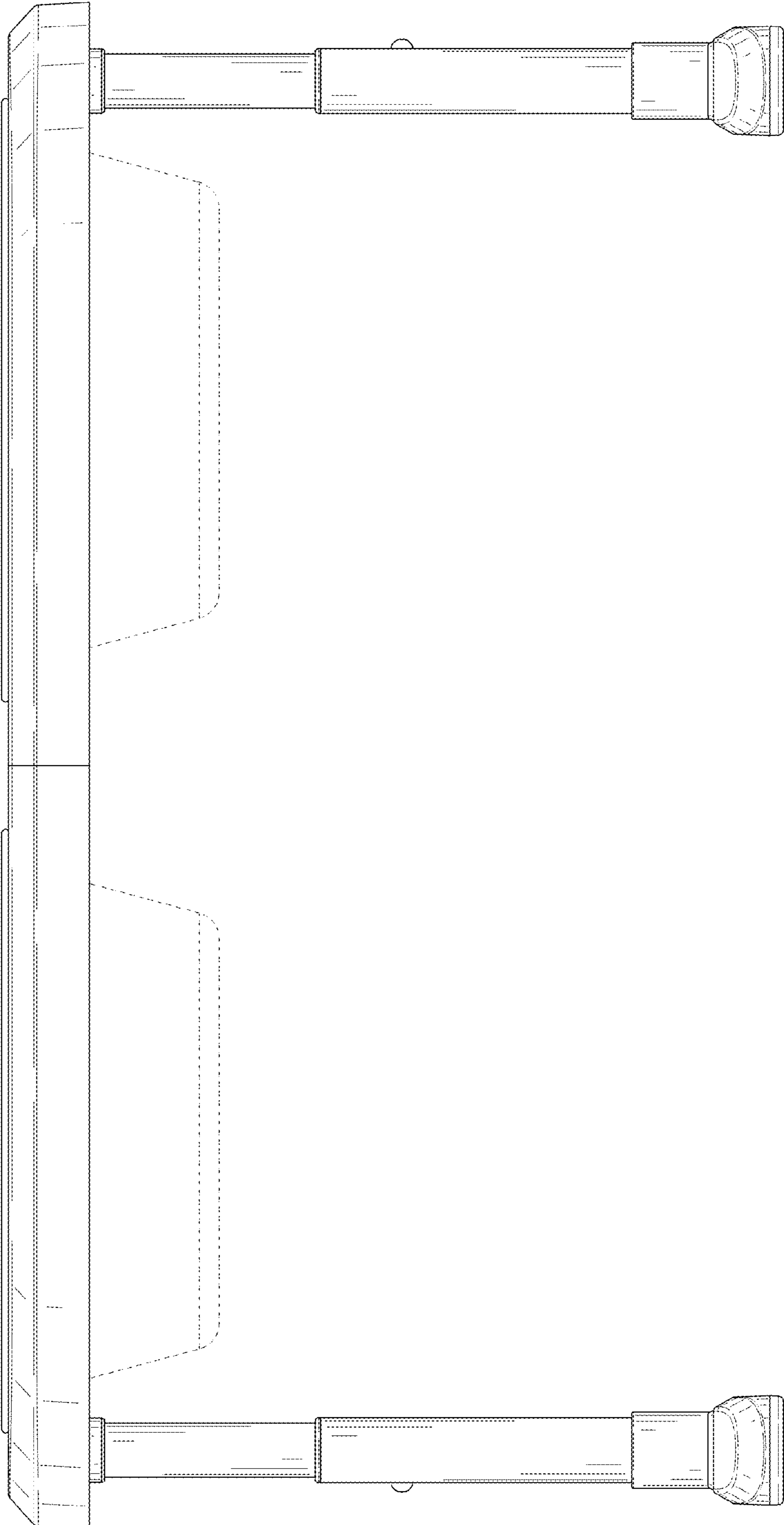


FIG. 4

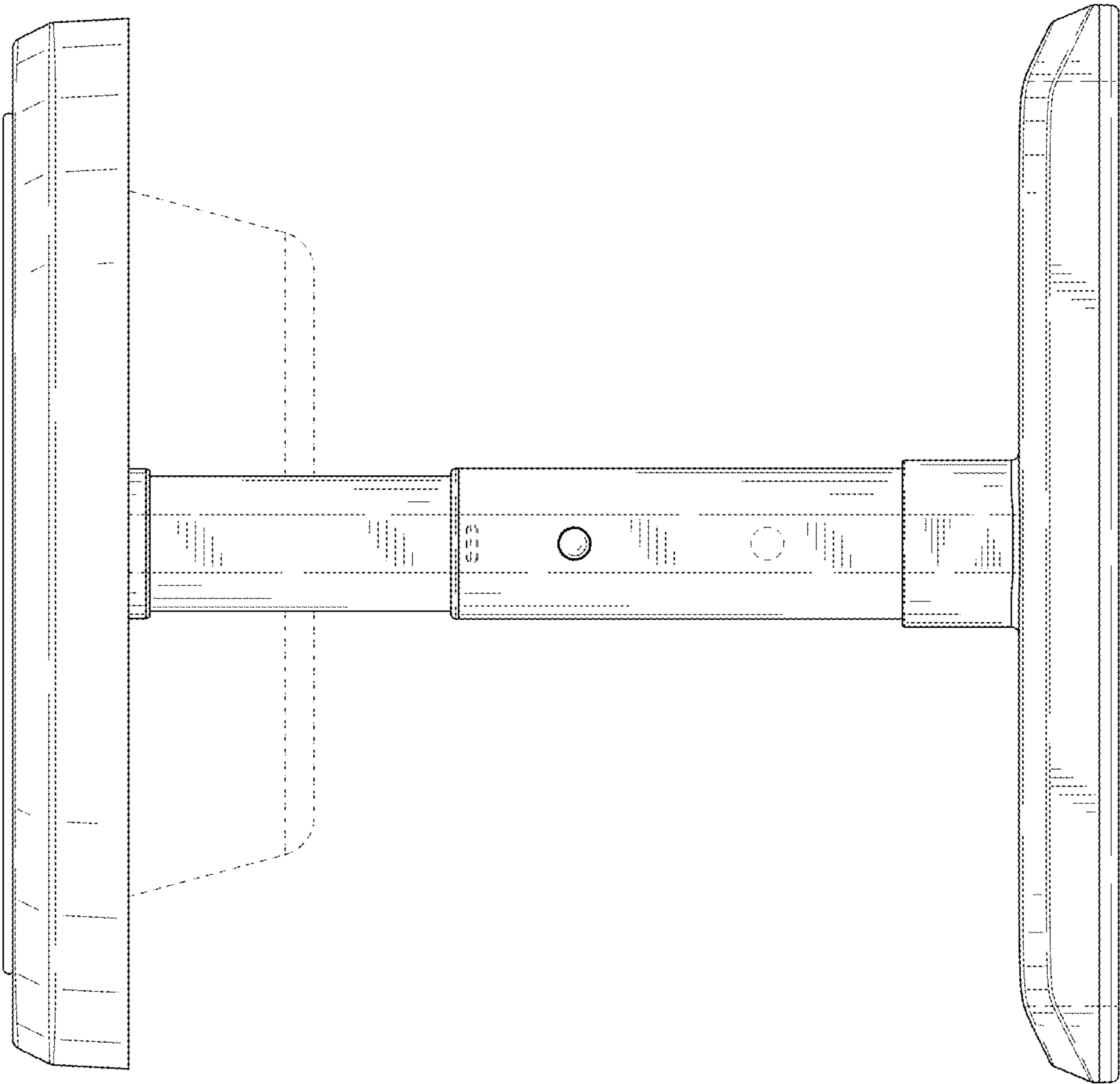


FIG. 5

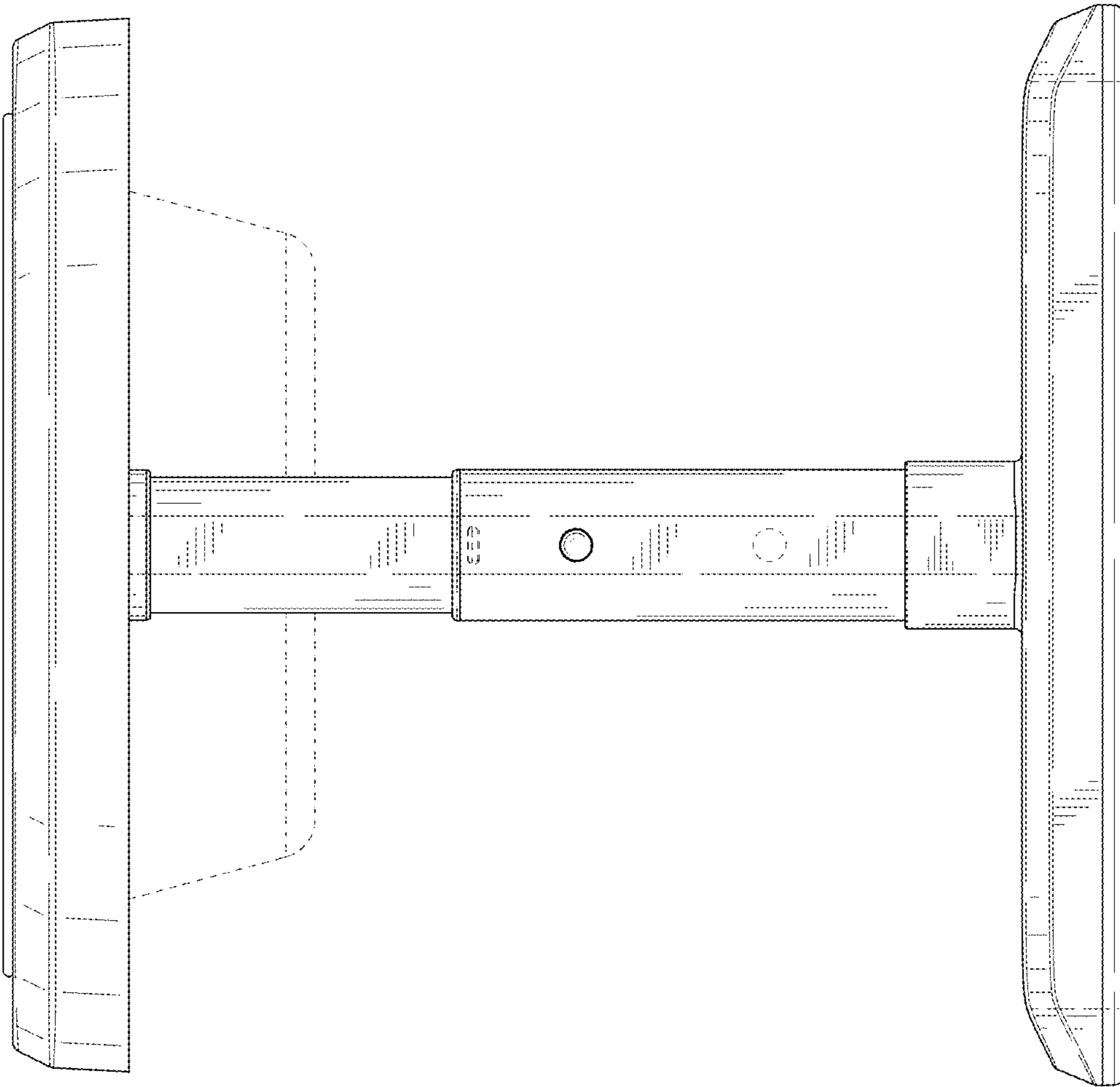


FIG. 6



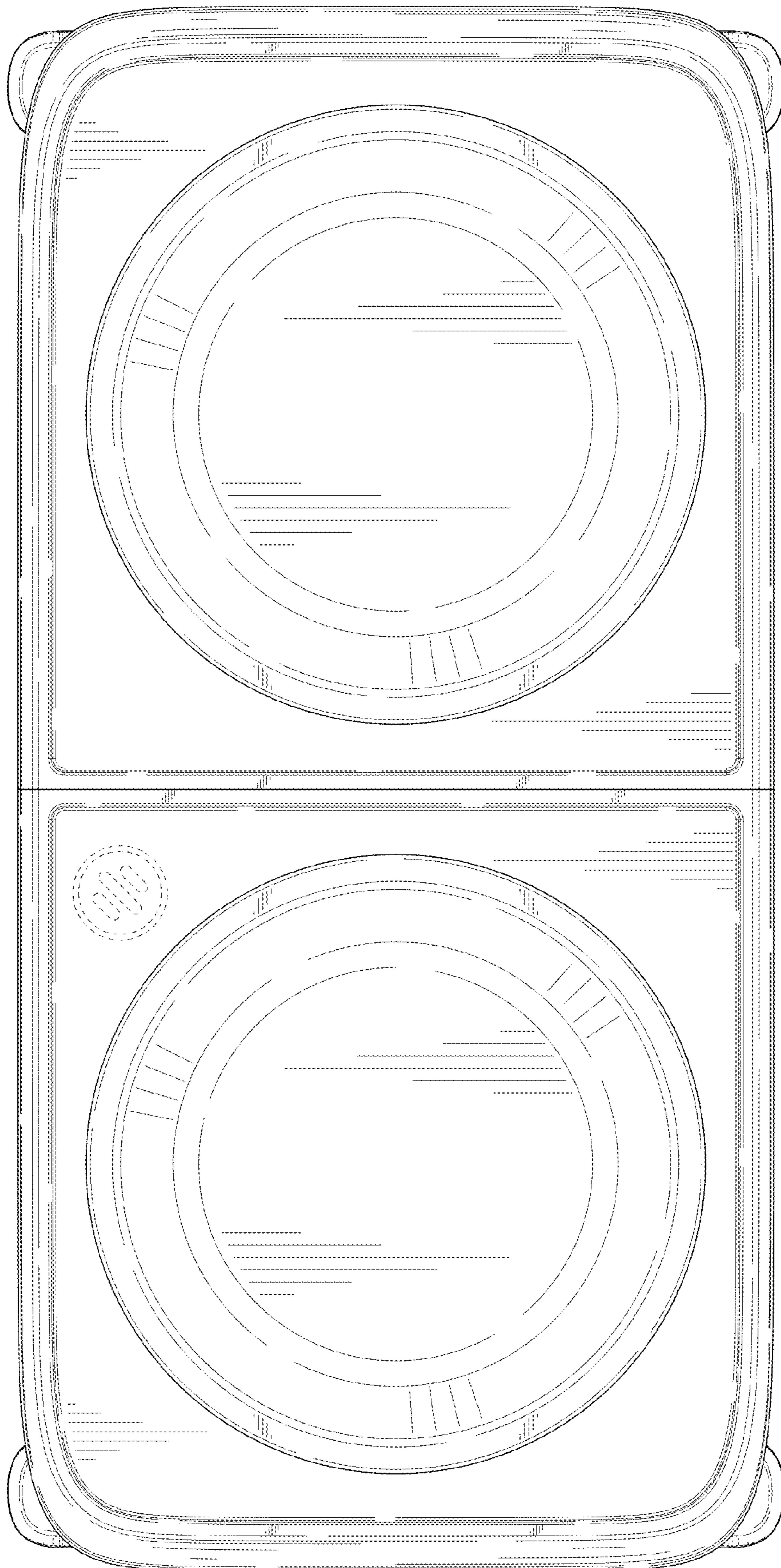


FIG. 7

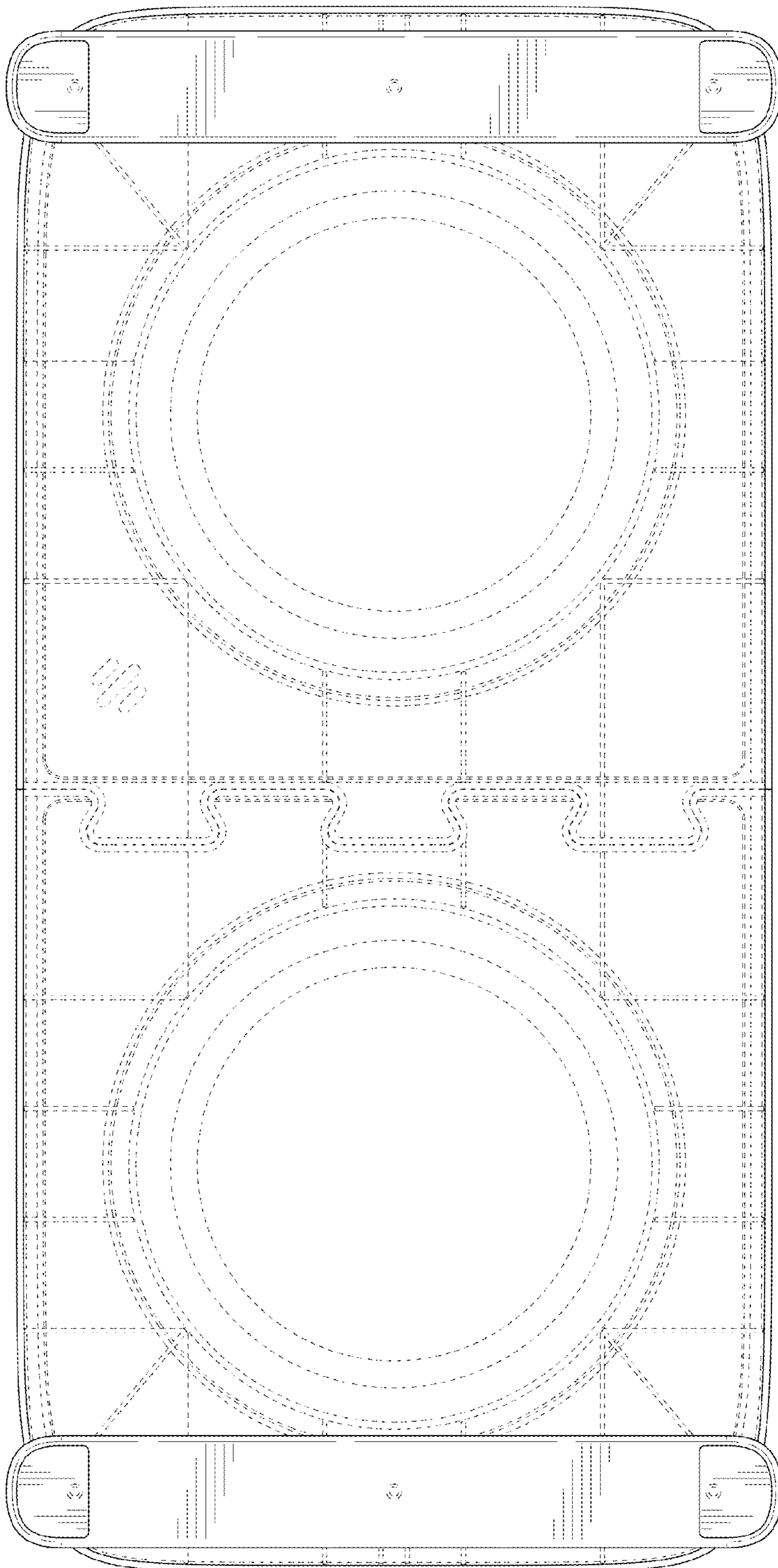


FIG. 8

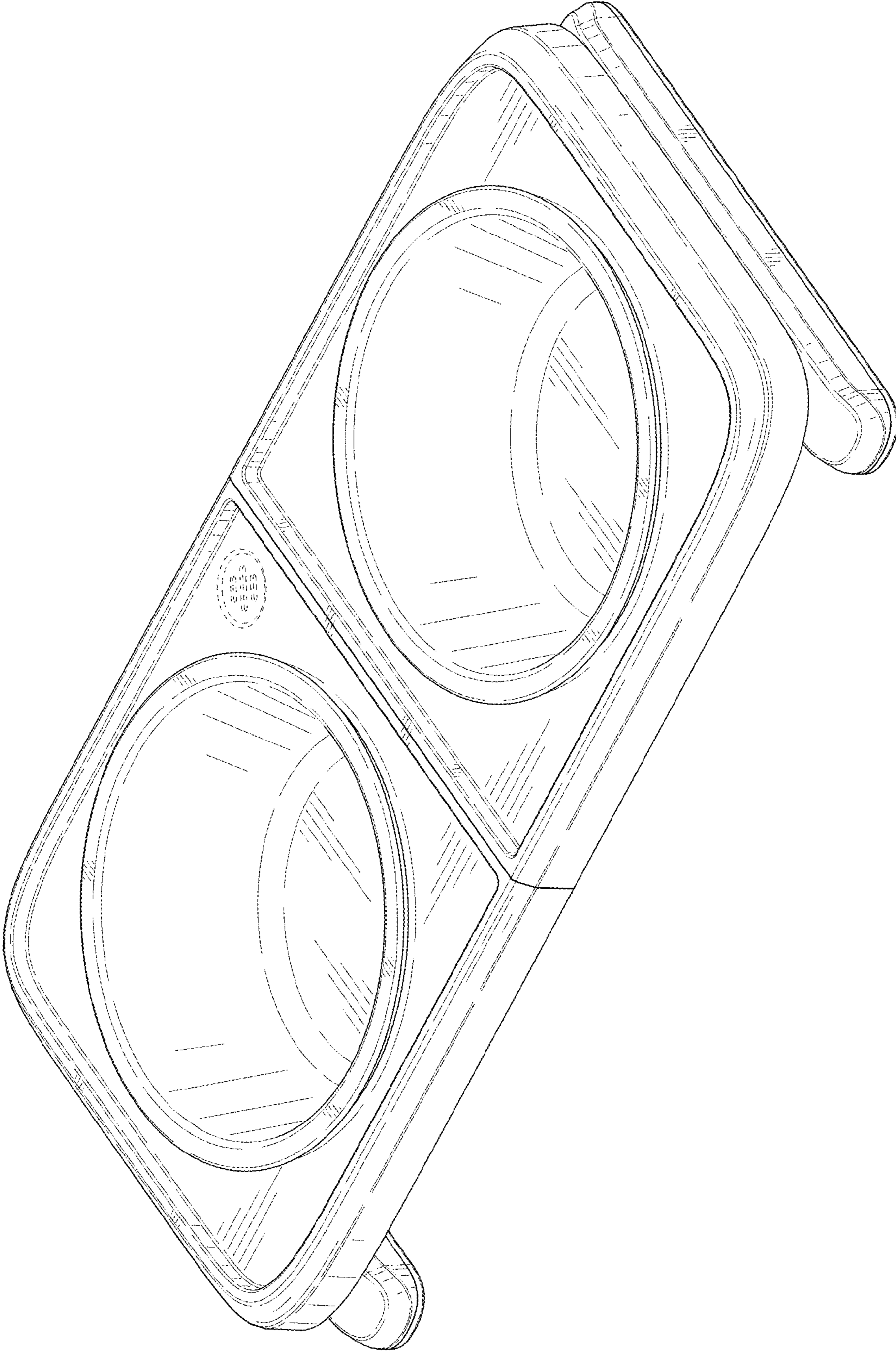


FIG. 9