



US00D971512S

(12) **United States Design Patent** (10) **Patent No.:** **US D971,512 S**  
**Liu** (45) **Date of Patent:** **\*\* Nov. 29, 2022**

(54) **TRAP CAGE COVER**

*Primary Examiner* — Catherine R Oliver-Garcia

(71) Applicant: **Xiamen Zhaozhao Trading Co., Ltd.**,  
Fujian Province (CN)

(72) Inventor: **Jiayi Liu**, Xiamen (CN)

(\*\*) Term: **15 Years**

(21) Appl. No.: **29/839,437**

(22) Filed: **May 20, 2022**

(51) **LOC (13) Cl.** ..... **30-02**

(52) **U.S. Cl.**  
USPC ..... **D30/108**; D22/119

(58) **Field of Classification Search**  
USPC ..... D22/119; D30/108, 119; D6/610;  
119/168, 470, 480  
CPC ..... A01K 1/00; A01K 1/0236  
See application file for complete search history.

(56) **References Cited**

**U.S. PATENT DOCUMENTS**

D218,045 S	7/1970	Lee et al.	
D411,162 S *	6/1999	Richter	D12/401
D515,746 S *	2/2006	Sequino	D6/610
D520,685 S *	5/2006	La Luzerne	D30/108
D739,164 S *	9/2015	Wagner	D6/610
D841,262 S *	2/2019	Nielsen	D30/161
D873,657 S *	1/2020	Barker	D9/433
10,721,909 B1 *	7/2020	Rowe	A01K 1/035
D916,226 S *	4/2021	Felix	D22/119
D928,418 S *	8/2021	LaMagna	D30/115
D946,314 S *	3/2022	Xiao	D6/611
D963,102 S *	9/2022	Daniil	A01K 1/035 D22/119
2011/0290193 A1 *	12/2011	Peregoy	A01K 31/06 119/480

**OTHER PUBLICATIONS**

<https://www.amazon.com/dp/B09MQGZ83S>.

\* cited by examiner

(57) **CLAIM**

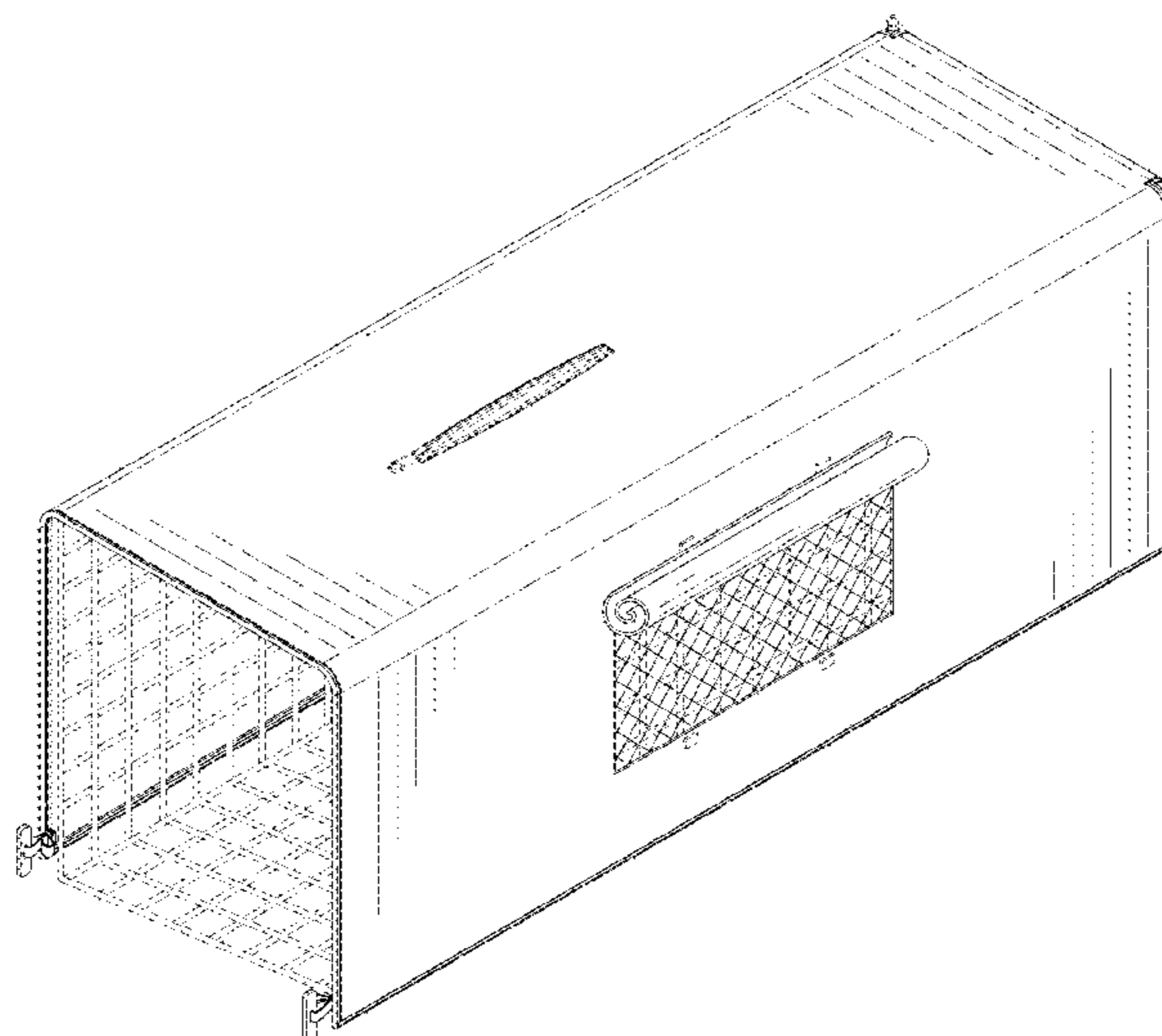
The ornamental design for a trap cage cover, as shown and described.

**DESCRIPTION**

FIG. 1 is a front and top perspective view of a trap cage cover, showing my new design;  
 FIG. 2 is a rear and bottom perspective view thereof;  
 FIG. 3 is a front elevation view thereof;  
 FIG. 4 is a rear elevation view thereof;  
 FIG. 5 is a left side elevation view thereof;  
 FIG. 6 is a right side elevation view thereof;  
 FIG. 7 is a top plan view thereof;  
 FIG. 8 is a bottom plan view thereof;  
 FIG. 9 is an enlarged view of a portion indicated with numeric 9 in FIG. 1;  
 FIG. 10 is an enlarged view of a portion indicated with numeric 10 in FIG. 1;  
 FIG. 11 is an enlarged view of a portion indicated with numeric 11 in FIG. 1;  
 FIG. 12 is an enlarged view of a portion indicated with numeric 12 in FIG. 2;  
 FIG. 13 is an enlarged view of a portion indicated with numeric 13 in FIG. 2;  
 FIG. 14 is an enlarged view of a portion indicated with numeric 14 in FIG. 2; and,  
 FIG. 15 is another perspective view thereof, shown in an alternative position.

The broken lines in the figures illustrate portions of the trap cage cover that form no part of the claimed design. The dash dot dash lines in FIGS. 1, 2, 9, 10, 11, 12, 13 and 14 are for the purpose of depicting the cut line of the enlarged views and form no part of the claim.

**1 Claim, 15 Drawing Sheets**



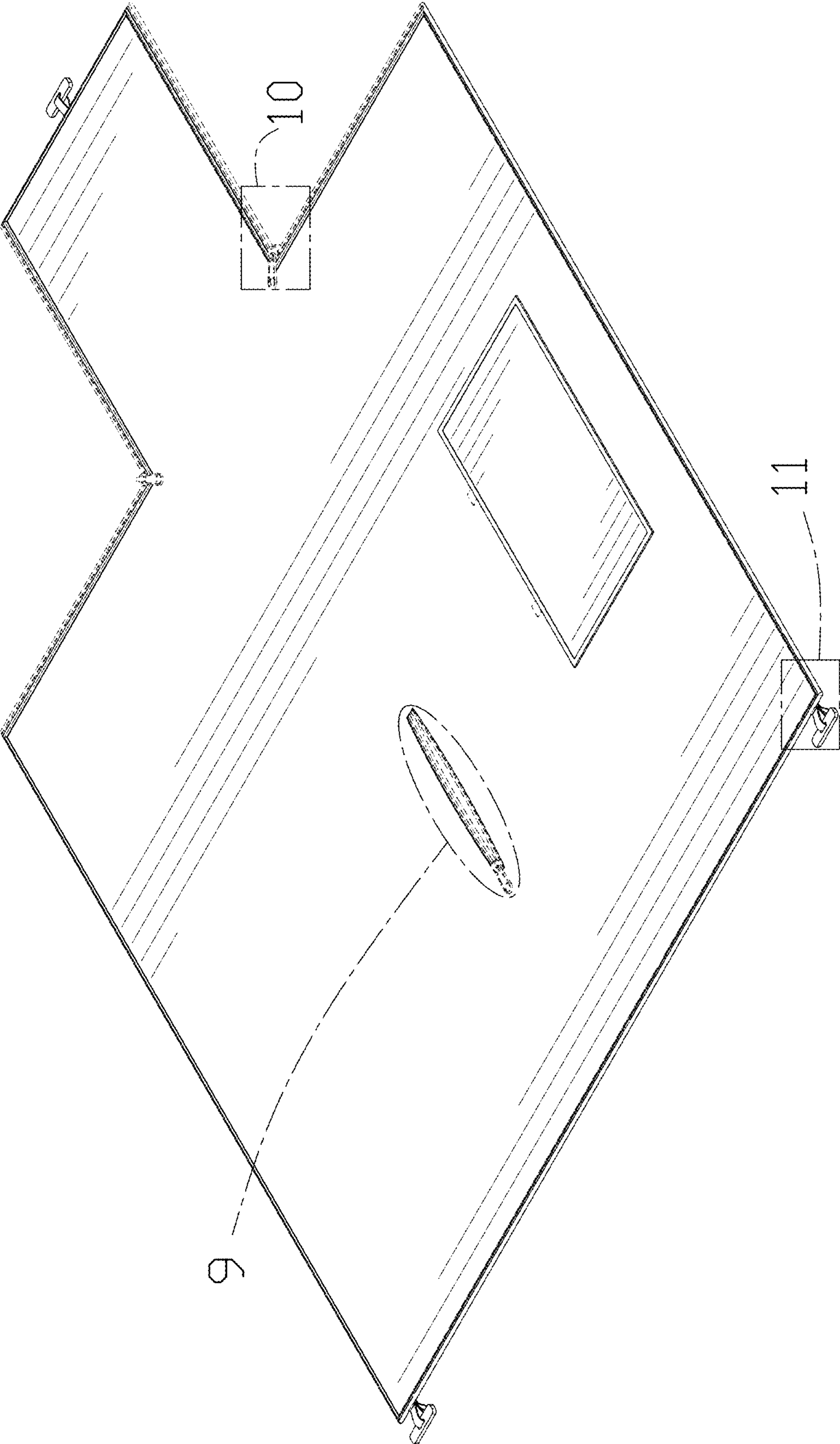


FIG. 1

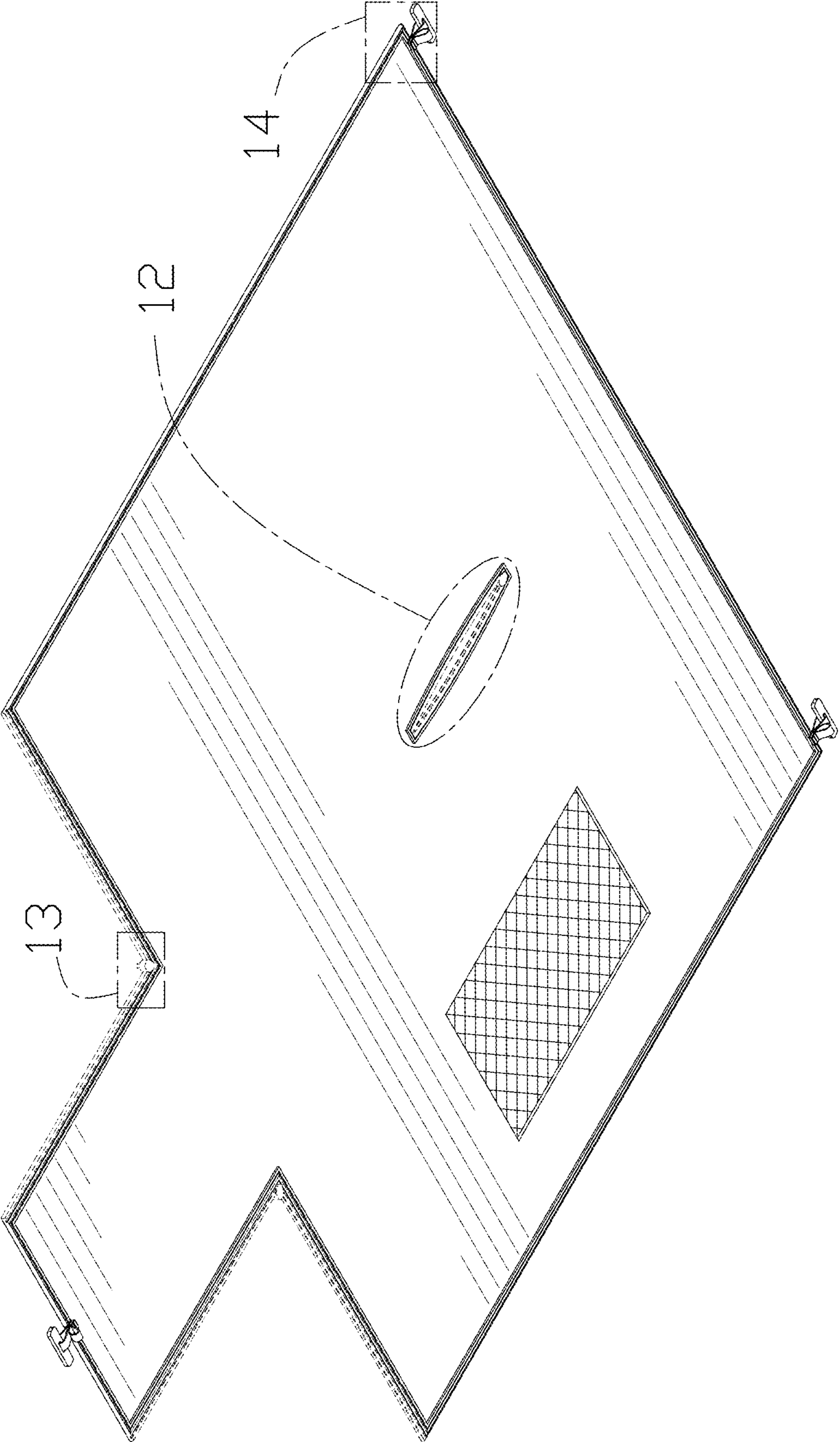


FIG. 2

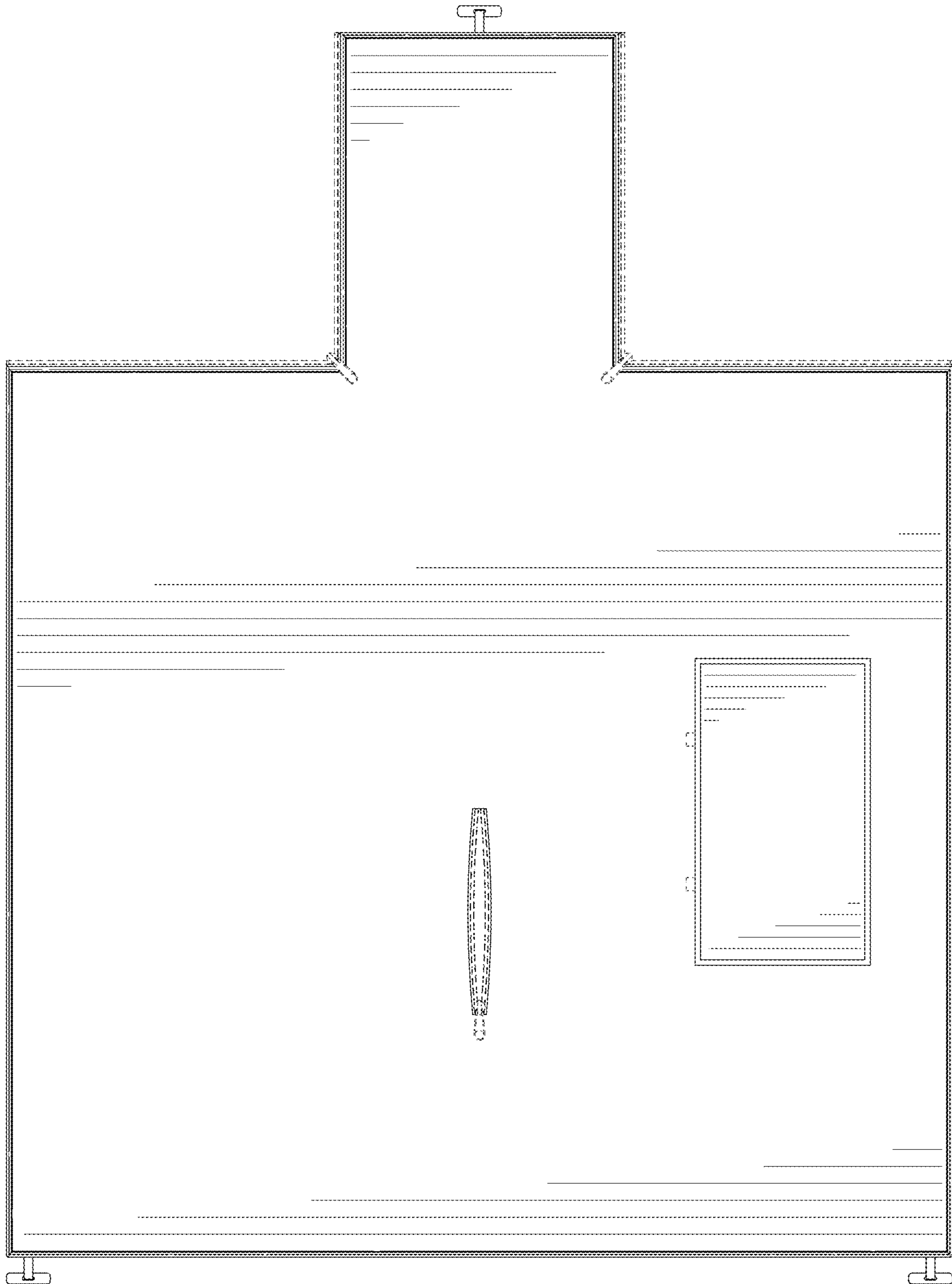


FIG. 3

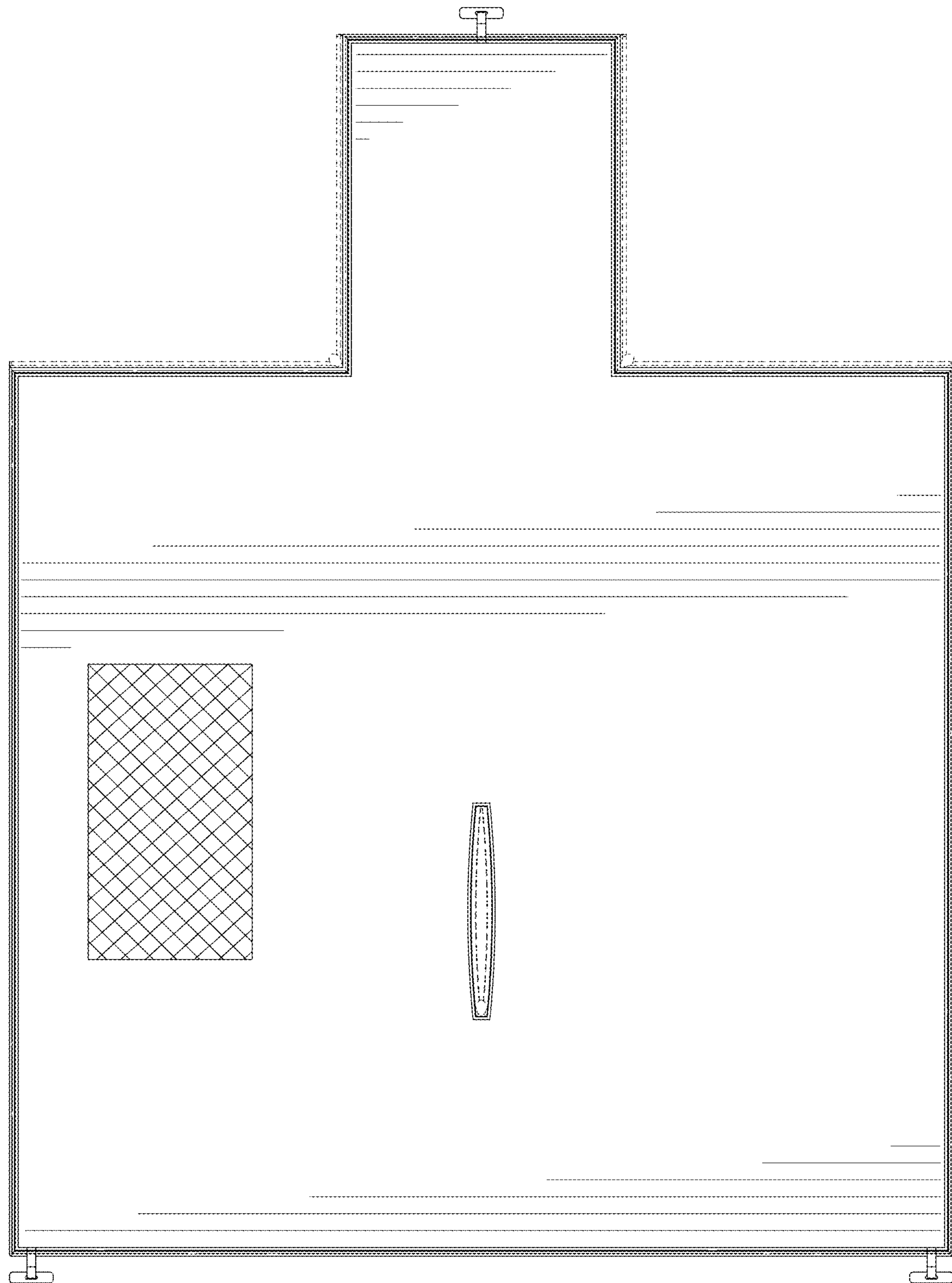


FIG. 4

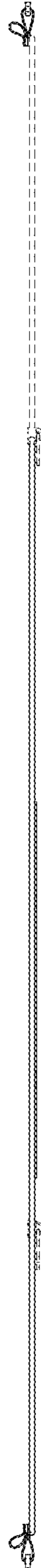


FIG. 5



FIG. 6

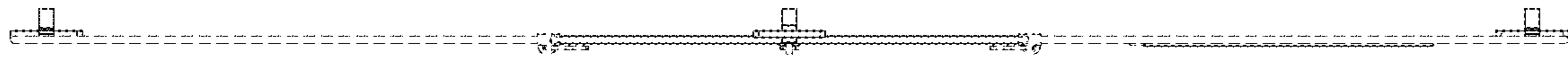


FIG. 7



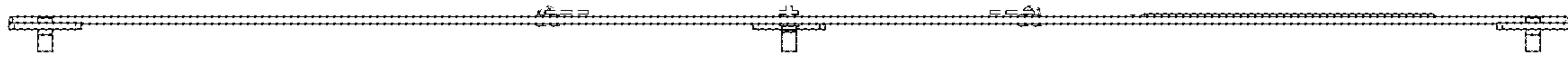


FIG. 8

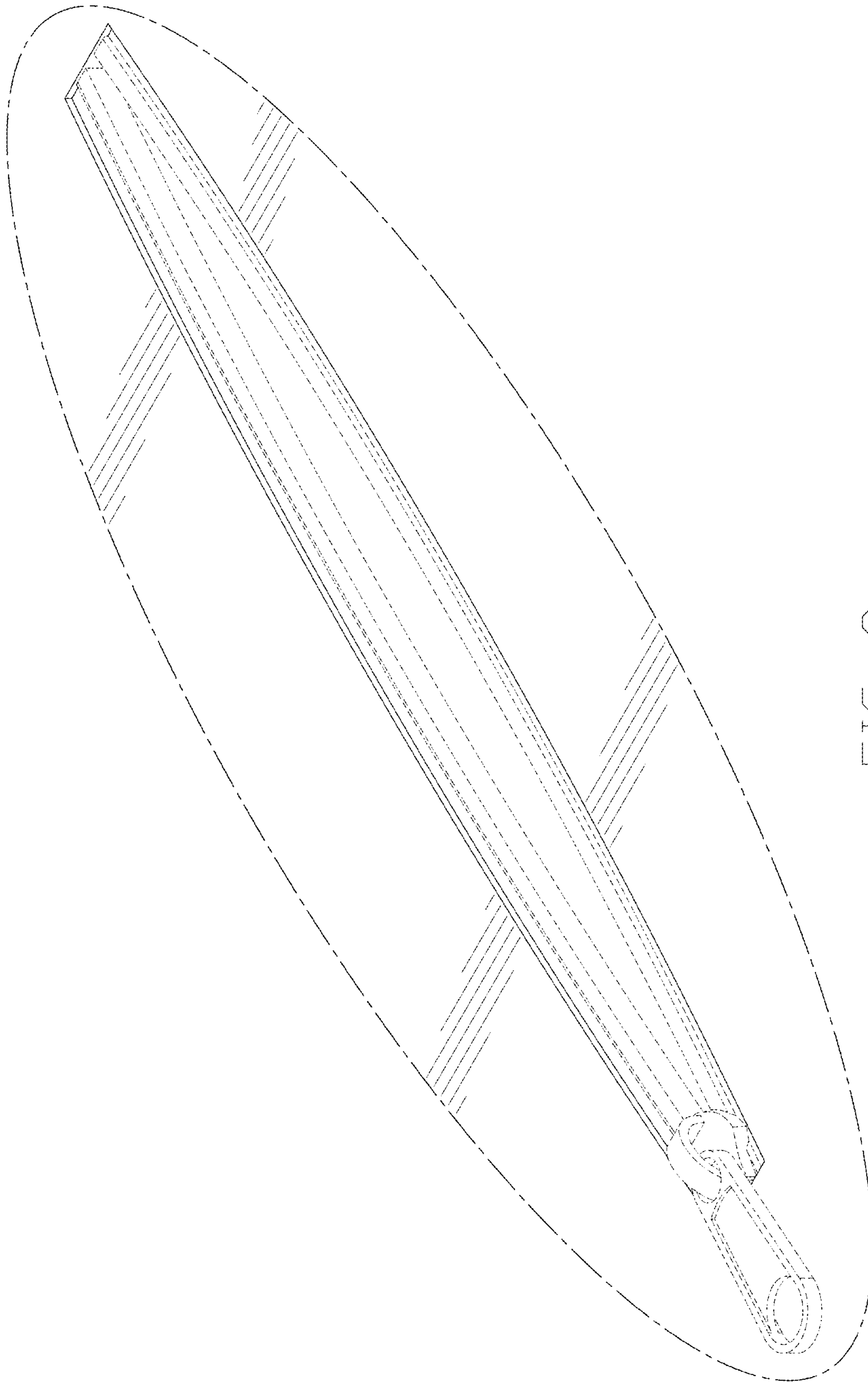


FIG. 9

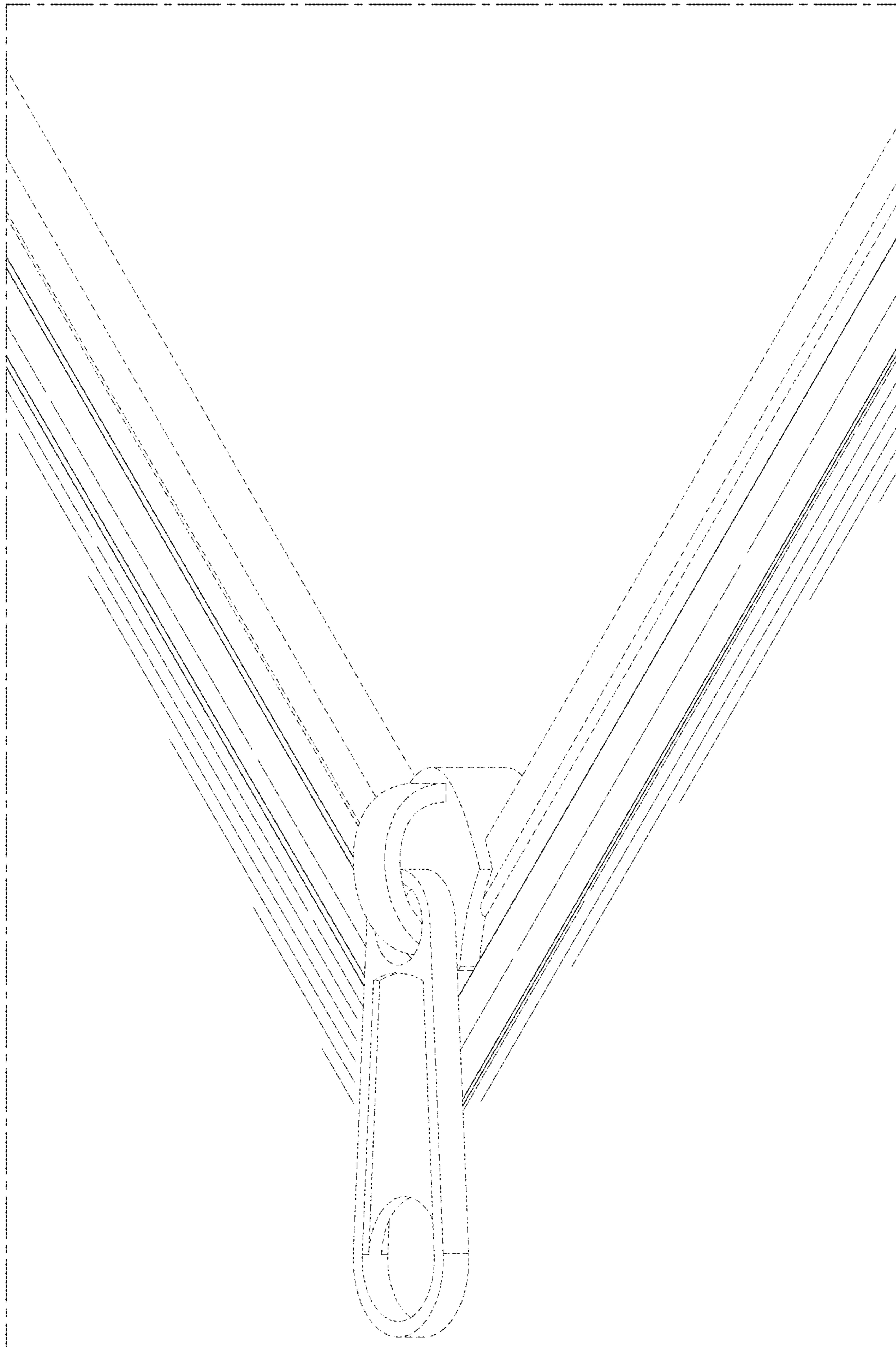


FIG. 10

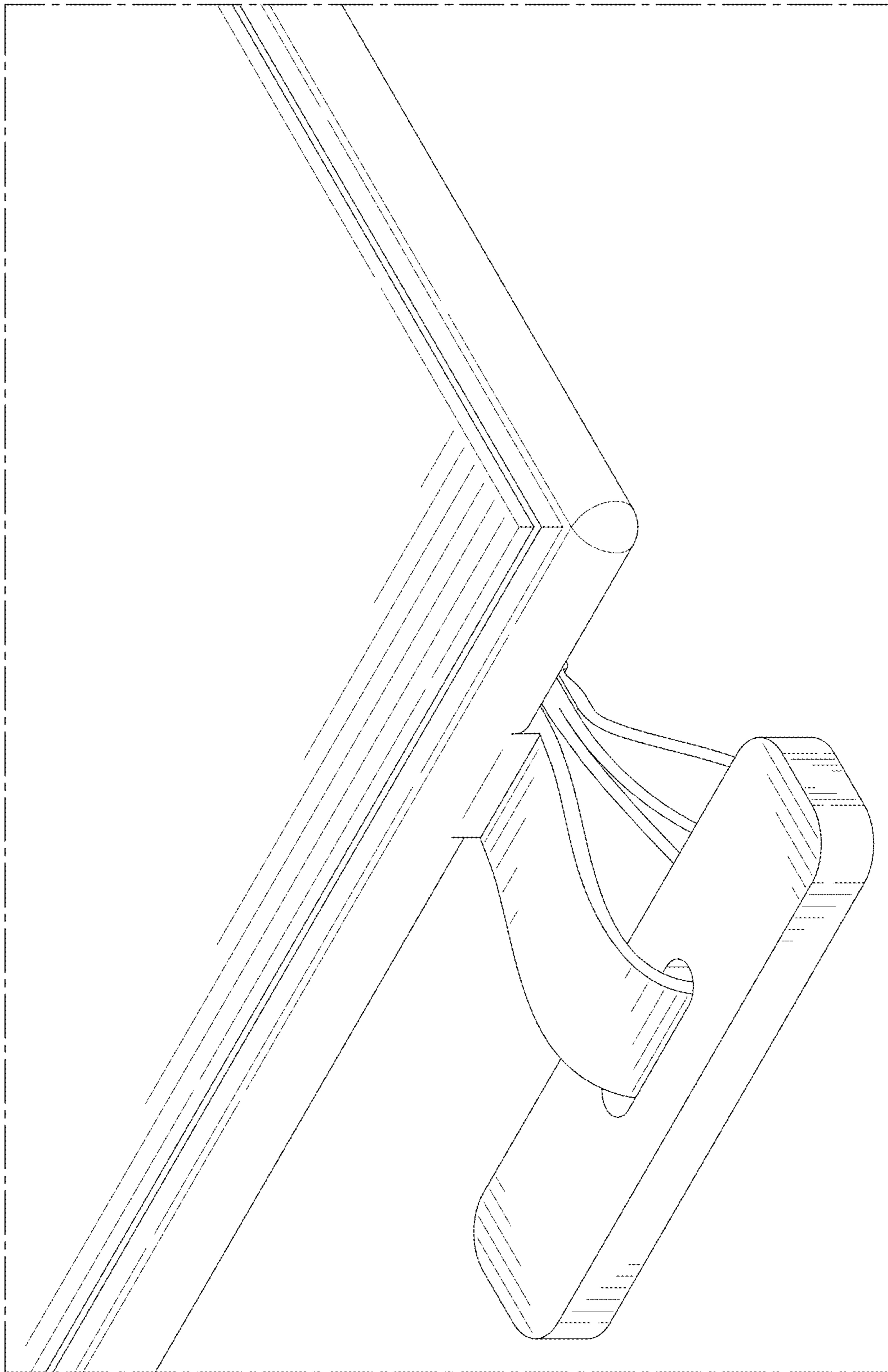


FIG. 11



FIG. 12

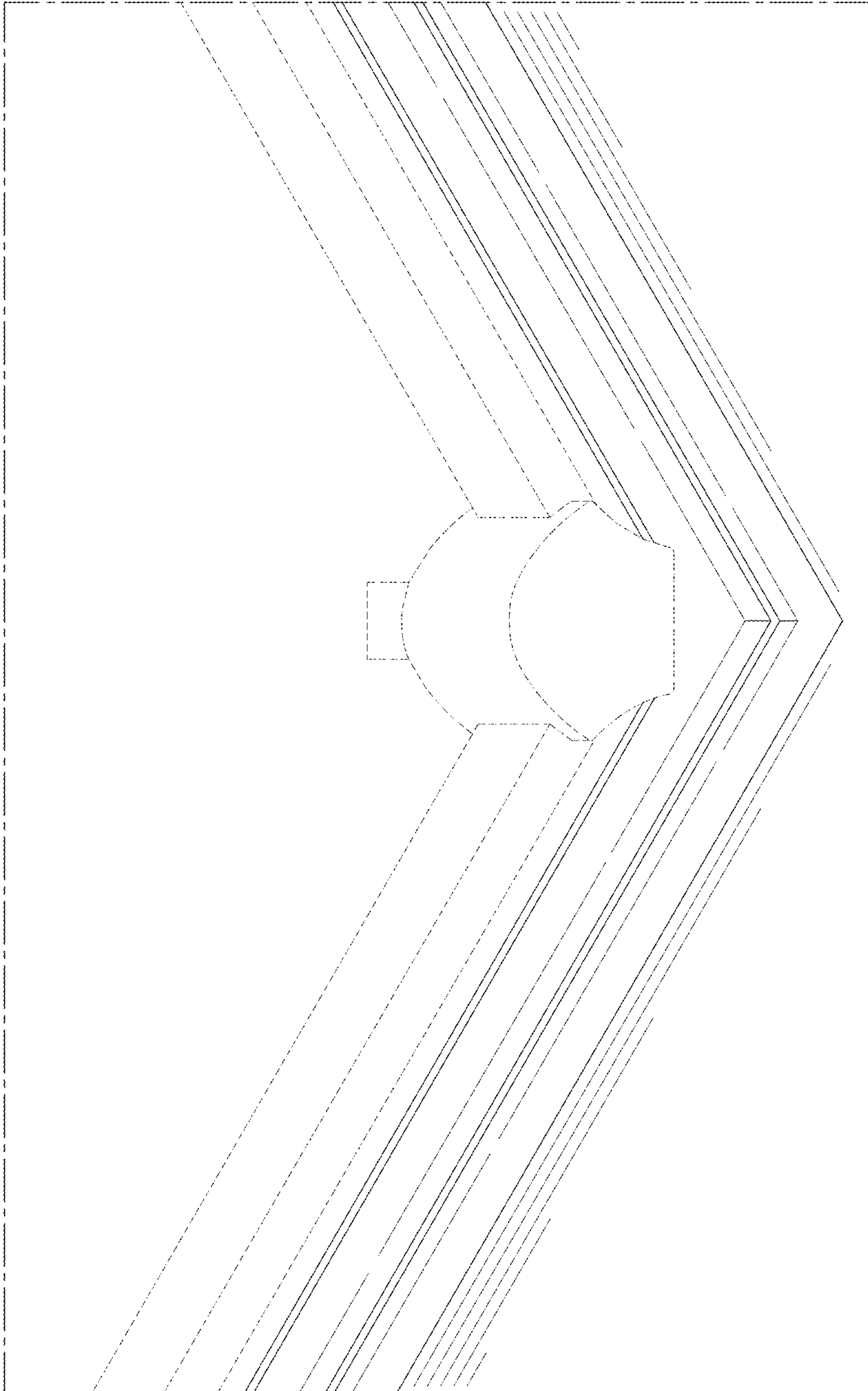


FIG. 13

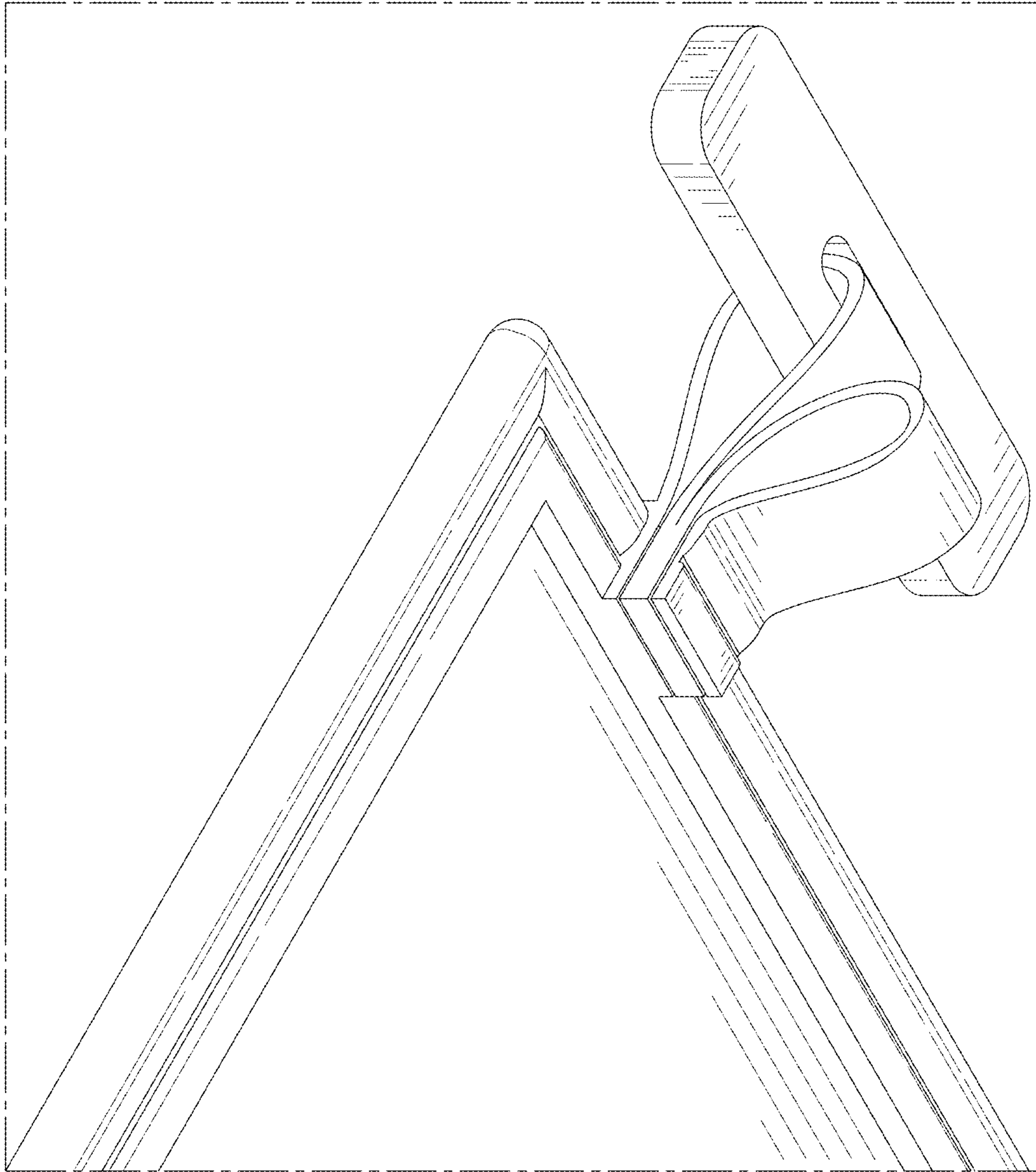


FIG. 14

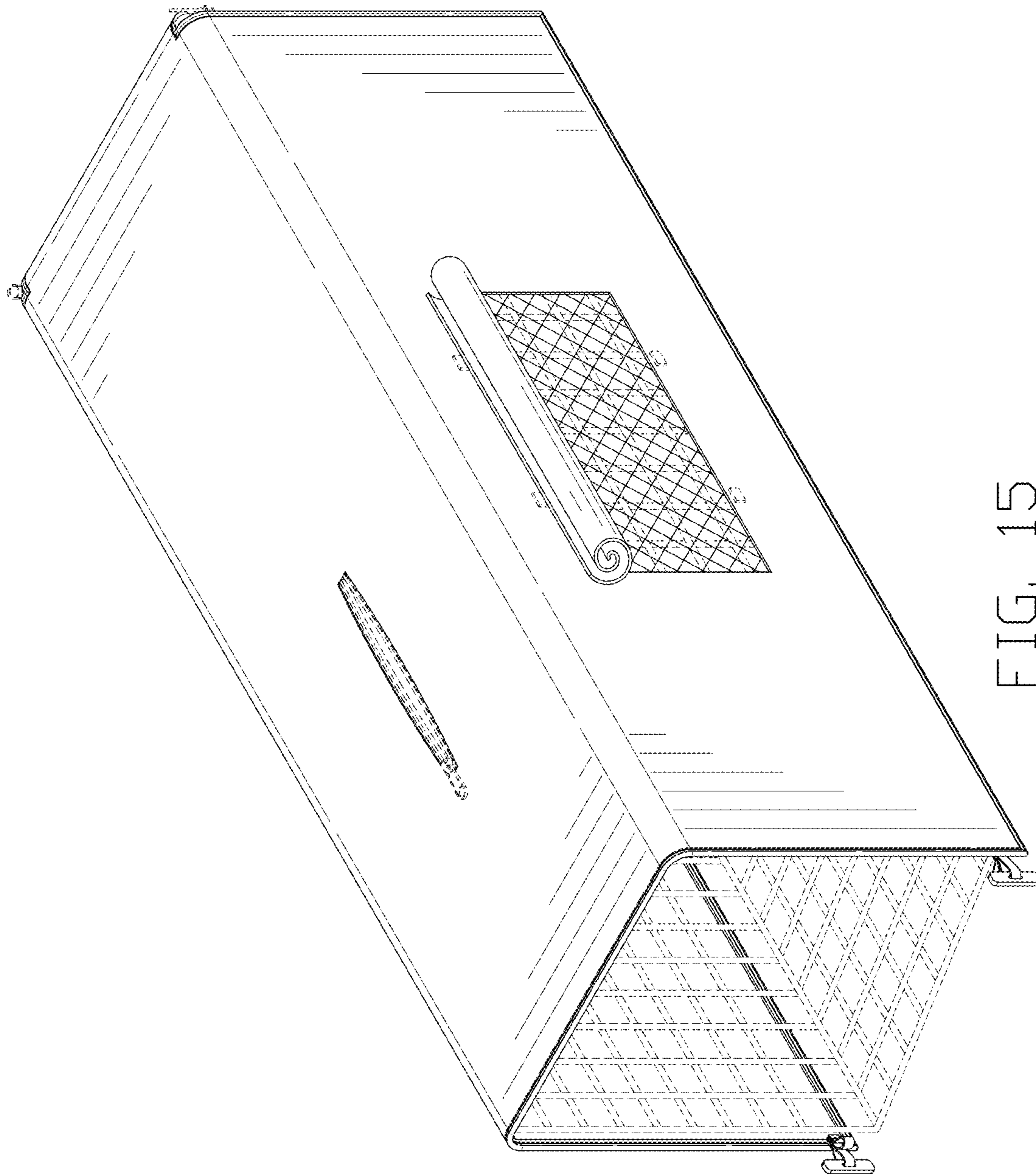


FIG. 15