



US00D971510S

(12) **United States Design Patent**  
**Rietdyk**

(10) **Patent No.:** **US D971,510 S**

(45) **Date of Patent:** **\*\* Nov. 29, 2022**

(54) **AVIATION HELMET**

(71) Applicant: **LIFT Airborne Technologies LLC**,  
Rancho Dominguez, CA (US)

(72) Inventor: **Guido Rietdyk**, Rolling Hills, CA (US)

(73) Assignee: **LIFT Airborne Technologies LLC**,  
Rancho Dominguez, CA (US)

(\*\*) Term: **15 Years**

(21) Appl. No.: **29/759,300**

(22) Filed: **Nov. 20, 2020**

(51) **LOC (13) Cl.** ..... **02-03**

(52) **U.S. Cl.**  
USPC ..... **D29/122**

(58) **Field of Classification Search**  
USPC ..... D2/870, 872, 878; D29/100, 102, 103,  
D29/104, 105, 106, 107, 108, 110, 122  
CPC .. A41D 13/11; A42B 3/04; A42B 3/18; A42B  
3/20; A42B 3/185; A42B 3/226; A42B  
3/0406; A61F 9/06; A61F 9/029; A63B  
2071/105; A63B 71/08; A63B 71/10  
See application file for complete search history.

(56) **References Cited**

**U.S. PATENT DOCUMENTS**

3,568,211	A *	3/1971	Petruzella, Jr. ....	A42B 3/228 2/6.4
D439,021	S *	3/2001	Galet .....	D29/107
D575,459	S *	8/2008	Khougassian .....	D29/107
D679,866	S *	4/2013	Basson .....	D29/106
D766,515	S *	9/2016	Incerti .....	D29/102
9,456,649	B2 *	10/2016	Basson .....	A42B 3/228
D813,462	S *	3/2018	Axelsson .....	D29/107
D921,990	S *	6/2021	Jenkins .....	D29/107
D927,786	S *	8/2021	Jenkins .....	D29/106
D928,412	S *	8/2021	Jenkins .....	D29/107
D937,493	S *	11/2021	Noordzij .....	D29/106

11,382,375	B2 *	7/2022	Noordzij .....	A42B 3/04
11,419,382	B2 *	8/2022	Teetzel .....	A42B 3/044
2006/0000010	A1 *	1/2006	Halsnes .....	A42B 3/222 2/424

(Continued)

**FOREIGN PATENT DOCUMENTS**

CN	305621257	*	2/2020
GB	6137650	*	5/2021

**OTHER PUBLICATIONS**

LIFT Aviation—AV-1 KOR—Matte White, announced in YouTube on Jan. 29, 2020 [online], [site visited Mar. 21, 2022], Available from the internet URL: <https://www.youtube.com/watch?v=buSbEVzhu14&list=TLGGWW7Wqi6HHV0yMTAzMjAyMg> (Year: 2020).\*

(Continued)

*Primary Examiner* — Jennifer L Rempfer  
*Assistant Examiner* — Elizabeth Anne Glassberg  
(74) *Attorney, Agent, or Firm* — Lowe Graham Jones PLLC

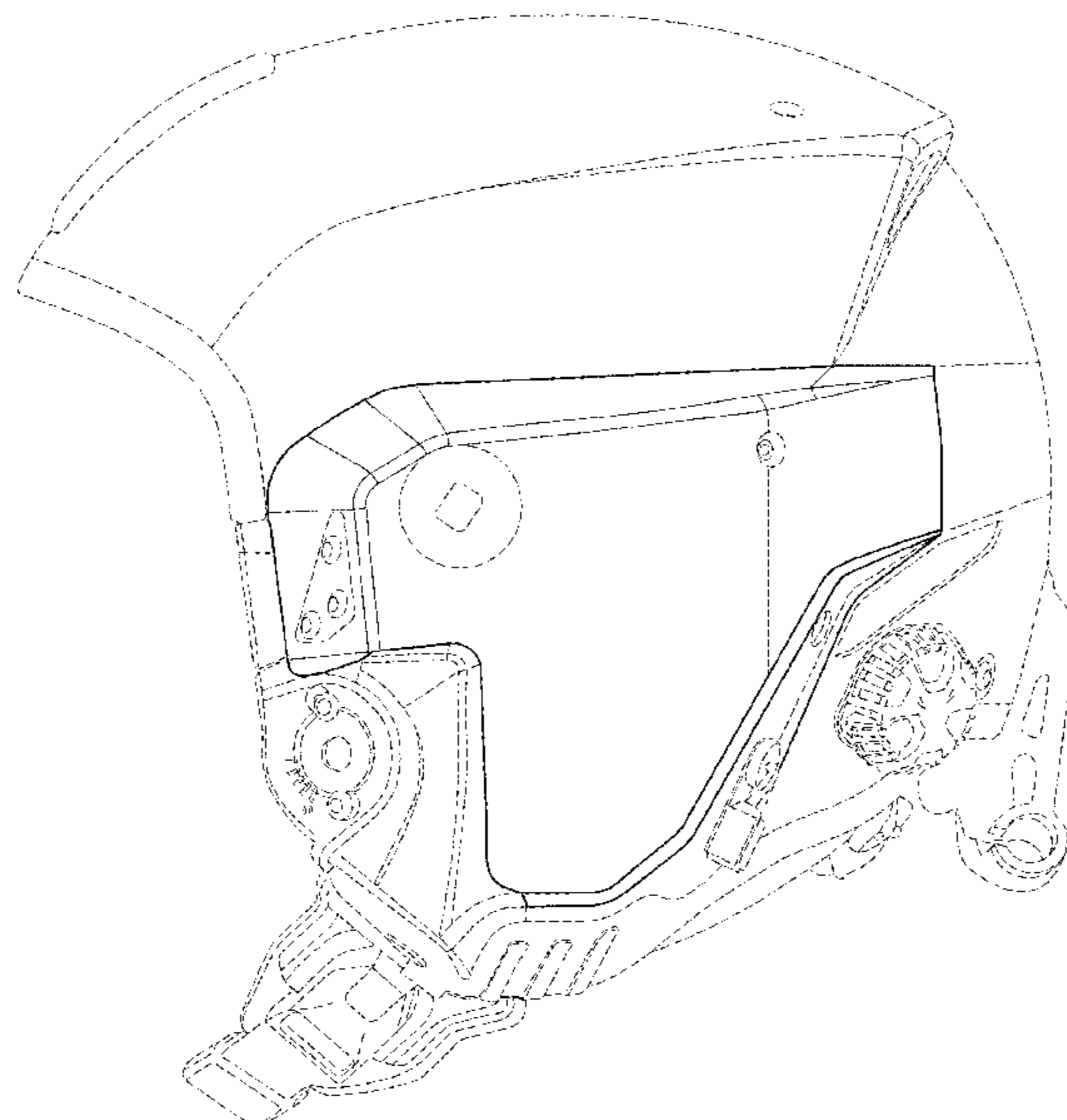
(57) **CLAIM**

I claim the ornamental design for an aviation helmet, as shown and described.

**DESCRIPTION**

FIG. 1 is a left side-elevational view of the aviation helmet, showing the new design;  
FIG. 2 is a right side-elevational view of the aviation helmet;  
FIG. 3 is a front view;  
FIG. 4 is a rear view;  
FIG. 5 is a top view;  
FIG. 6 is a bottom view; and,  
FIG. 7 is a left side isometric view thereof.  
The broken lines in the figures illustrate portions of the aviation helmet that form no part of the claimed design.

**1 Claim, 7 Drawing Sheets**



(56)

**References Cited**

U.S. PATENT DOCUMENTS

2018/0049505 A1\* 2/2018 Hovan ..... A42B 3/085  
2022/0202126 A1\* 6/2022 Teetzel ..... A42B 3/04

OTHER PUBLICATIONS

Aries Flight Helmet with BOSE A20 Communications; <https://boneheadcomposites.com/collections/aviation/products/aries-flight-helmet-with-bose-a20-communications>; Accessed May 24, 2021; 6 pages.

Gentex HGU-55/P Fixed Wing Helmet System; <https://shop.gentexcorp.com/gentex-hgu-55-p-fixed-wing-helmet-system/>; Accessed Jun. 7, 2021; 6 pages.

MSA Gallet LH050 Flight Helmet; <https://tigerperformance.com/msa-gallet-lh050-model/msa-gallet-lh050-flight-helmet-with-pnr-communications.html>; Accessed Jun. 7, 2021; 8 pages.

First examination report dated Jun. 30, 2021 for co-pending British Design Application No. 6137650; 2 pages.

\* cited by examiner

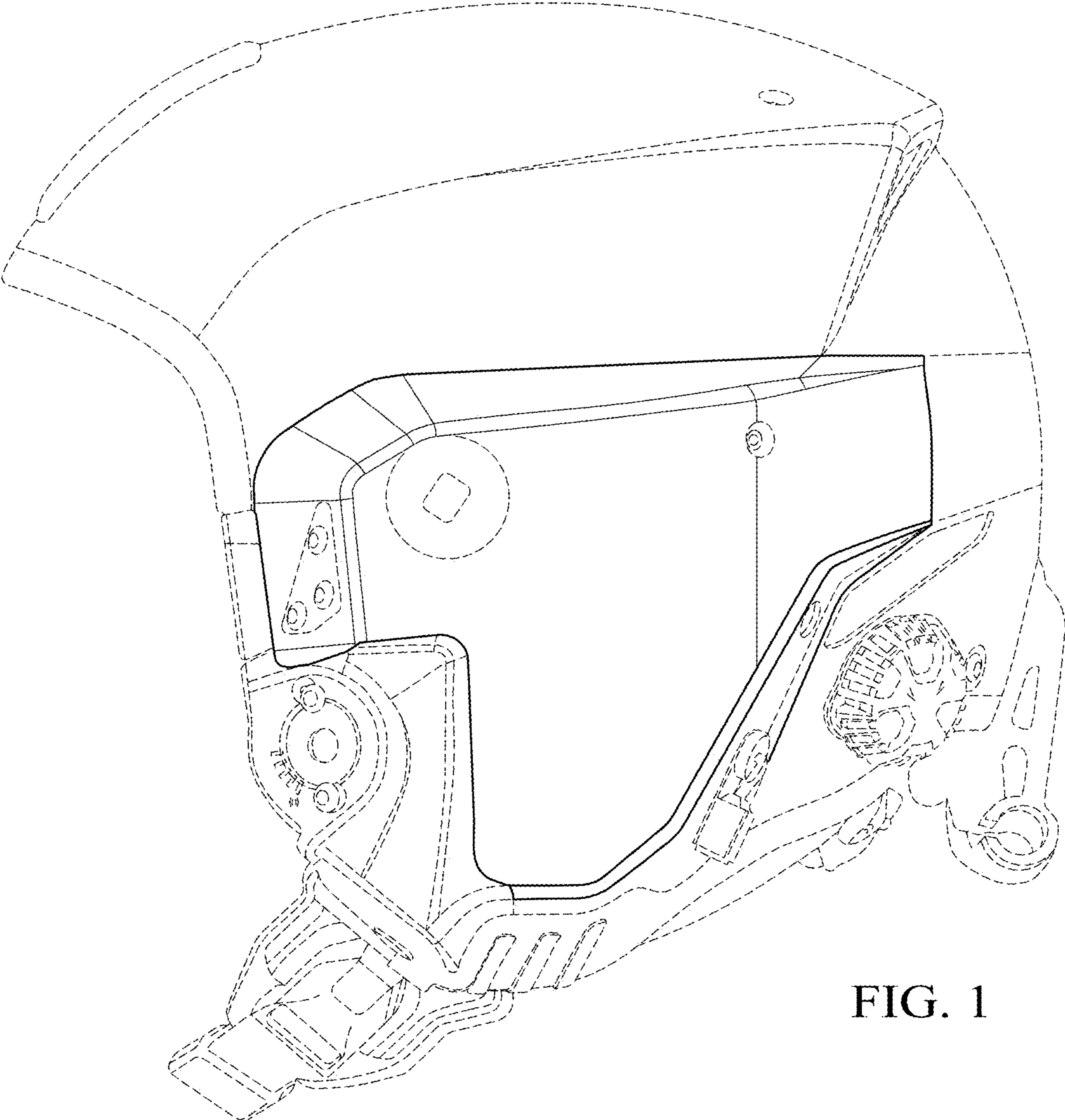


FIG. 1

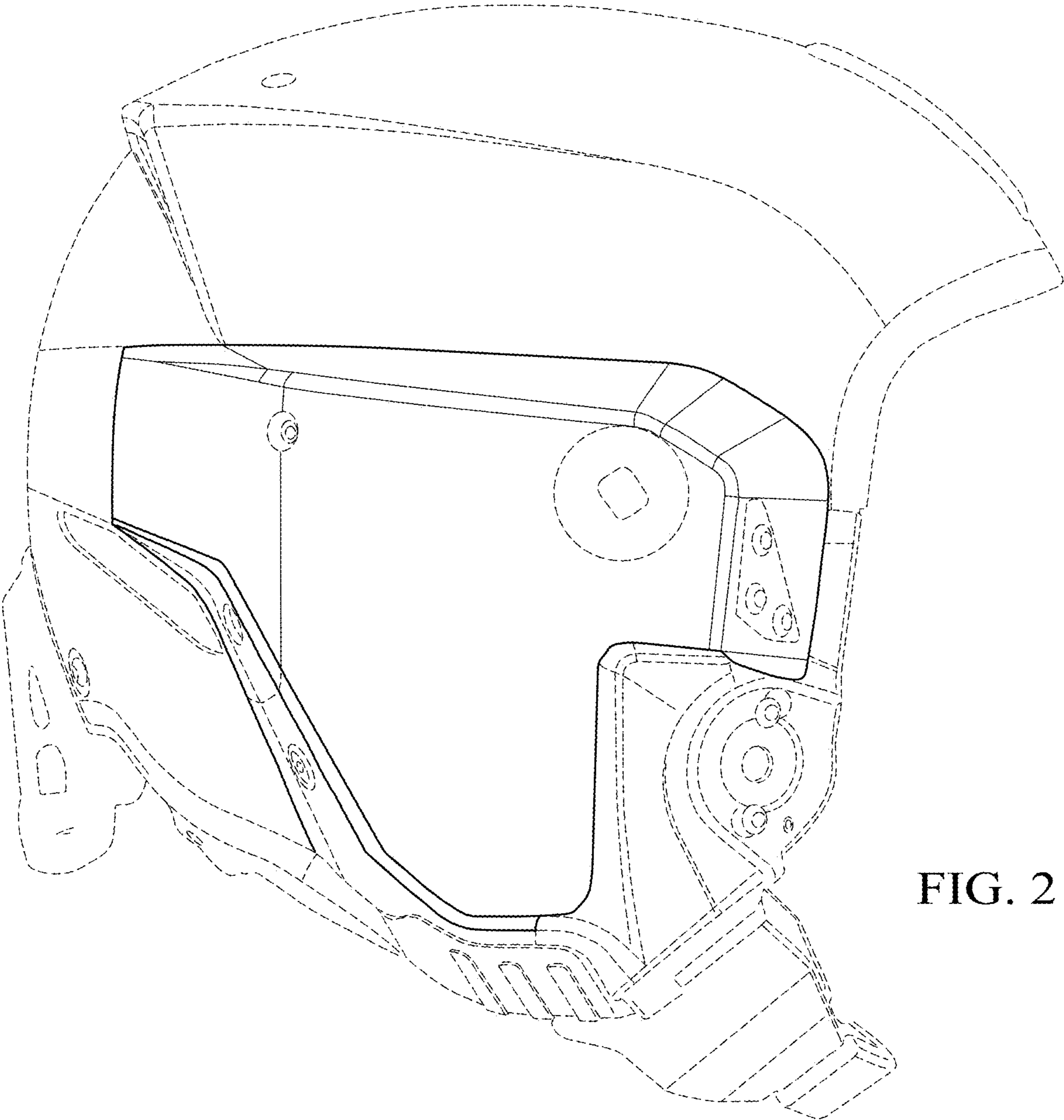


FIG. 2

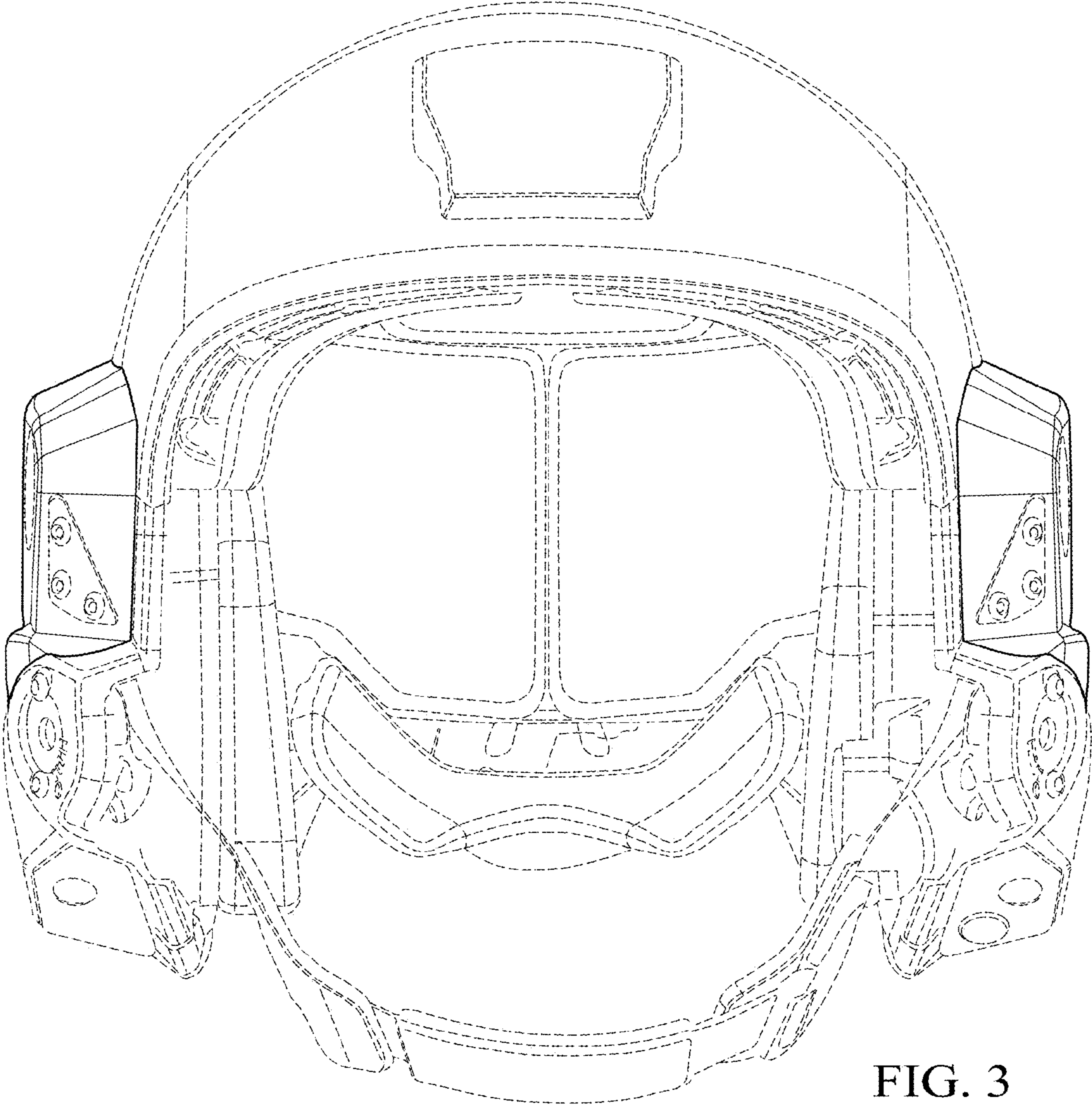


FIG. 3

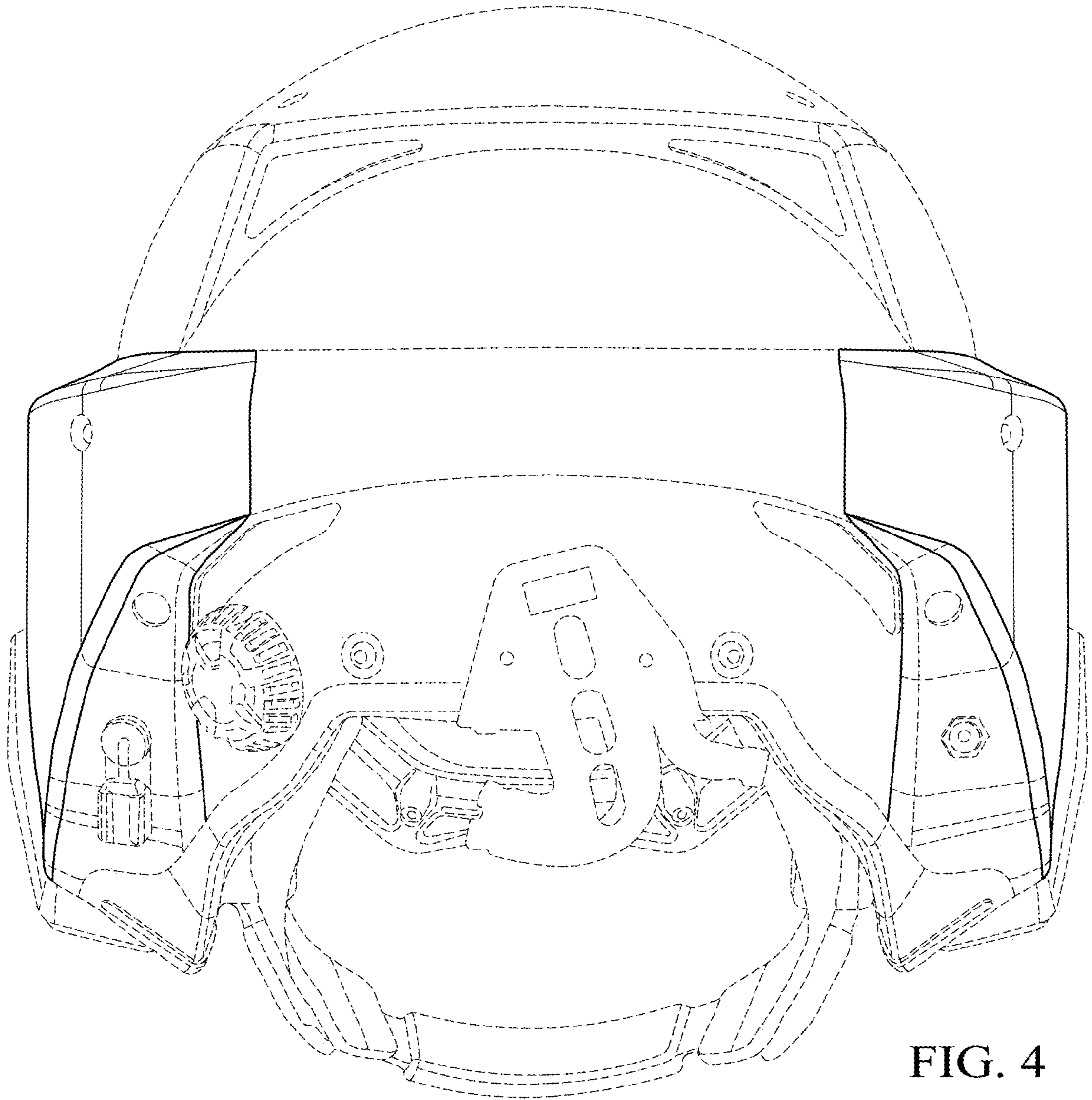


FIG. 4

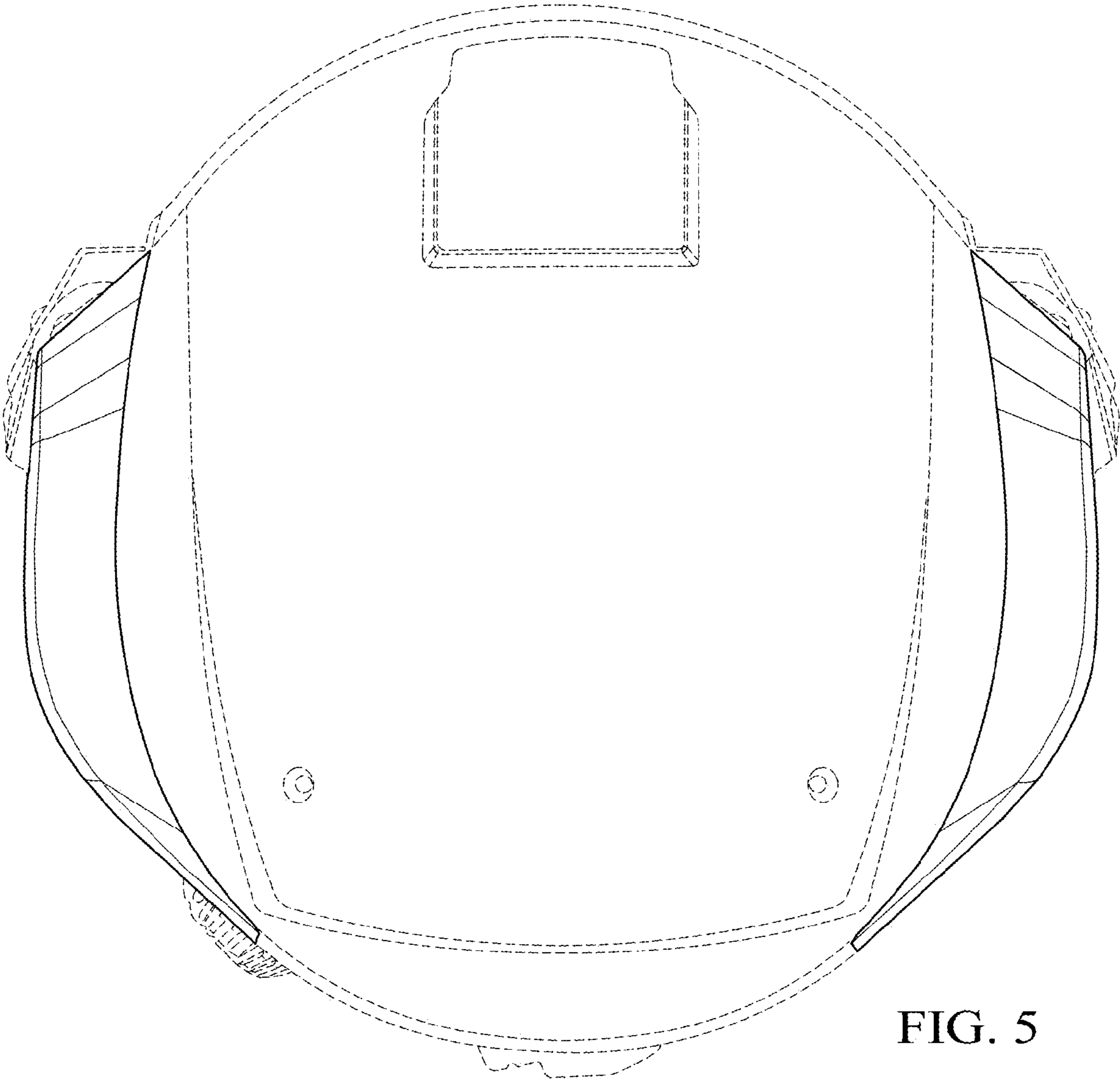


FIG. 5

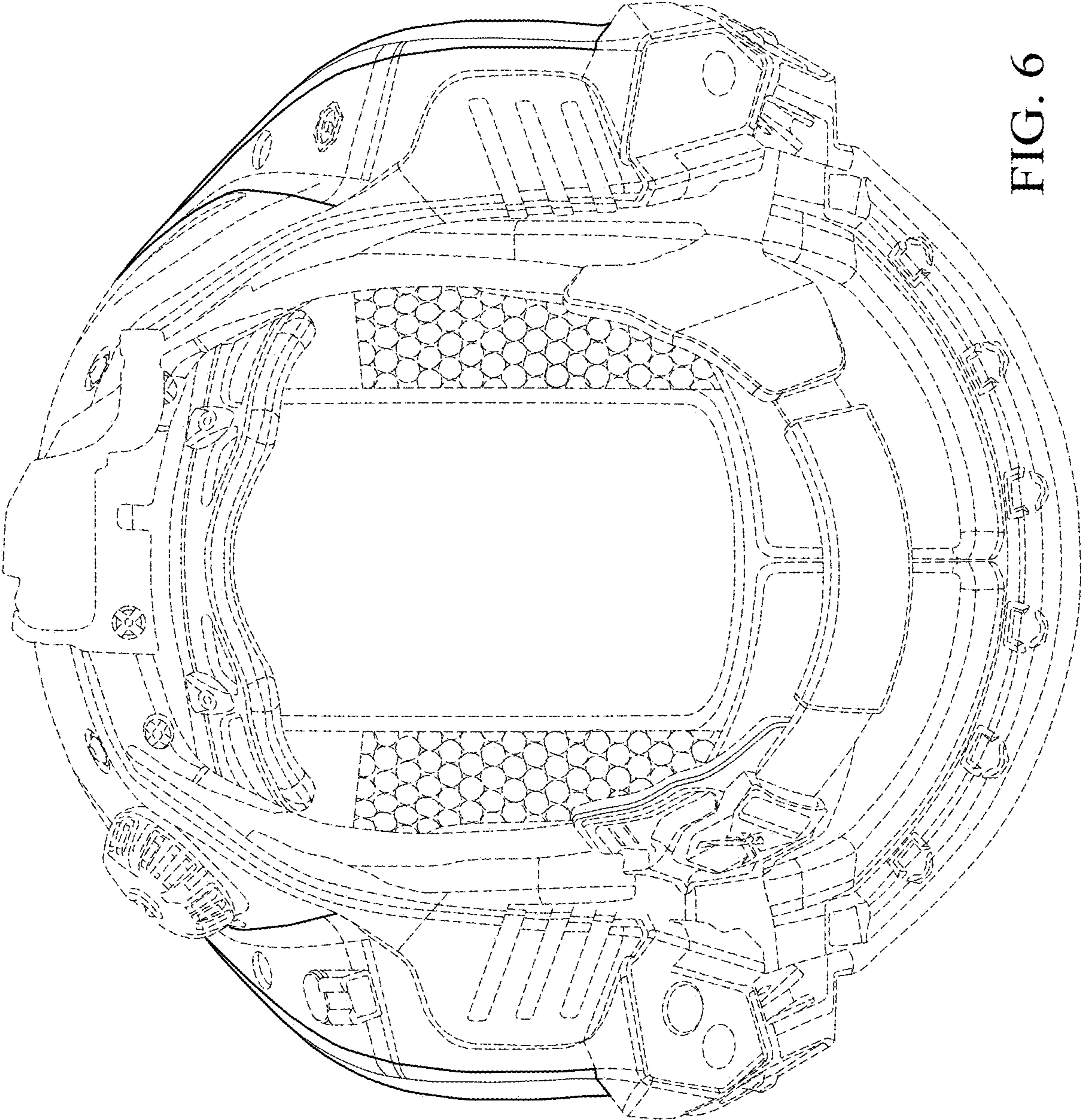


FIG. 6



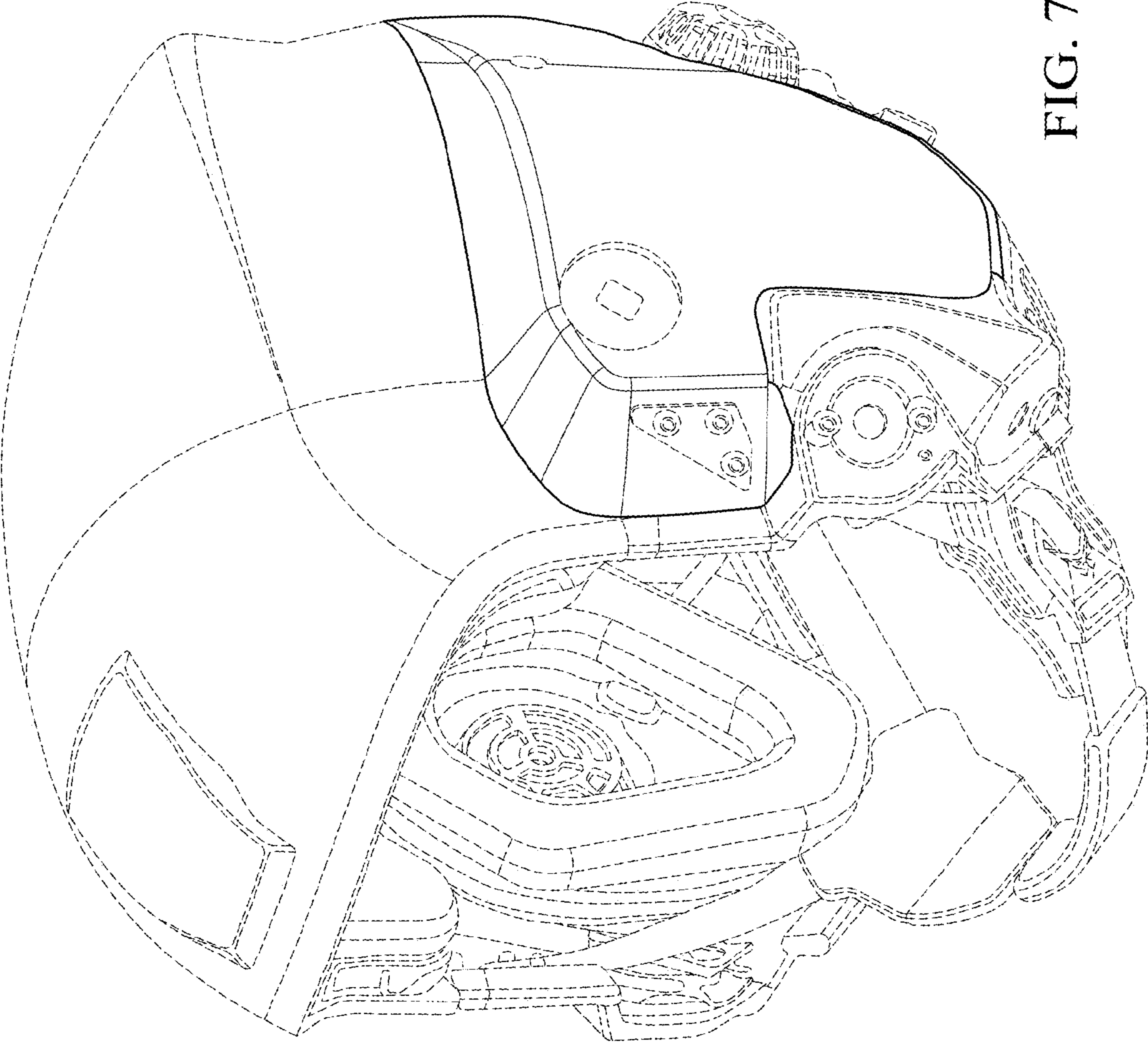


FIG. 7