



US00D971507S

(12) **United States Design Patent** (10) **Patent No.:** **US D971,507 S**  
**Jiyoon-Seo** (45) **Date of Patent:** **\*\* Nov. 29, 2022**

(54) **CONTAINER FOR COSMETICS**  
(71) Applicant: **SHINSEGAE INTERNATIONAL INC., Seoul (KR)**  
(72) Inventor: **Jiyoon-Seo, Seoul (KR)**  
(73) Assignee: **SHINSEGAE INTERNATIONAL INC., Seoul (KR)**  
(\*\*) Term: **15 Years**  
(21) Appl. No.: **29/772,132**  
(22) Filed: **Feb. 26, 2021**  
(51) **LOC (13) Cl.** ..... **28-03**  
(52) **U.S. Cl.**  
USPC ..... **D28/82**  
(58) **Field of Classification Search**  
USPC ..... D28/64.1, 73, 76, 78, 82, 84, 91;  
D9/428, 529, 503, 504; D3/284, 901  
CPC .... A45D 33/00; A45D 33/003; A45D 33/006;  
A45D 33/008; A45D 33/18; A45D 33/20;  
A45D 33/22; A45D 33/24; A45D 33/26;  
A45D 33/28; A45D 40/00; A45D 40/22;  
A45D 40/24; A45D 42/02; A45D  
2040/0012; A45D 40/221; A45D 40/222;  
A45D 33/34; A45D 33/36; A45C 11/00;  
A45C 11/008; A45C 11/26; A45C  
2011/007  
See application file for complete search history.

(56) **References Cited**  
U.S. PATENT DOCUMENTS  
D460,218 S \* 7/2002 Thorpe ..... D28/82  
D463,628 S \* 9/2002 Thorpe ..... D28/82  
D507,078 S \* 7/2005 Greenfield ..... D28/82  
D697,674 S \* 1/2014 You ..... D28/82  
D726,377 S \* 4/2015 Koo ..... D28/82  
D732,740 S \* 6/2015 Yoon ..... D28/82  
D846,195 S \* 4/2019 Kang ..... D28/82  
D853,036 S \* 7/2019 Lee ..... D28/82  
D857,996 S \* 8/2019 Chen ..... D28/82

D860,816 S \* 9/2019 Rathbun ..... D9/780  
D898,294 S \* 10/2020 Kikuchi ..... D28/82  
D907,855 S \* 1/2021 Jung ..... D28/78  
(Continued)

FOREIGN PATENT DOCUMENTS  
KR 301133691.0000 \* 10/2021

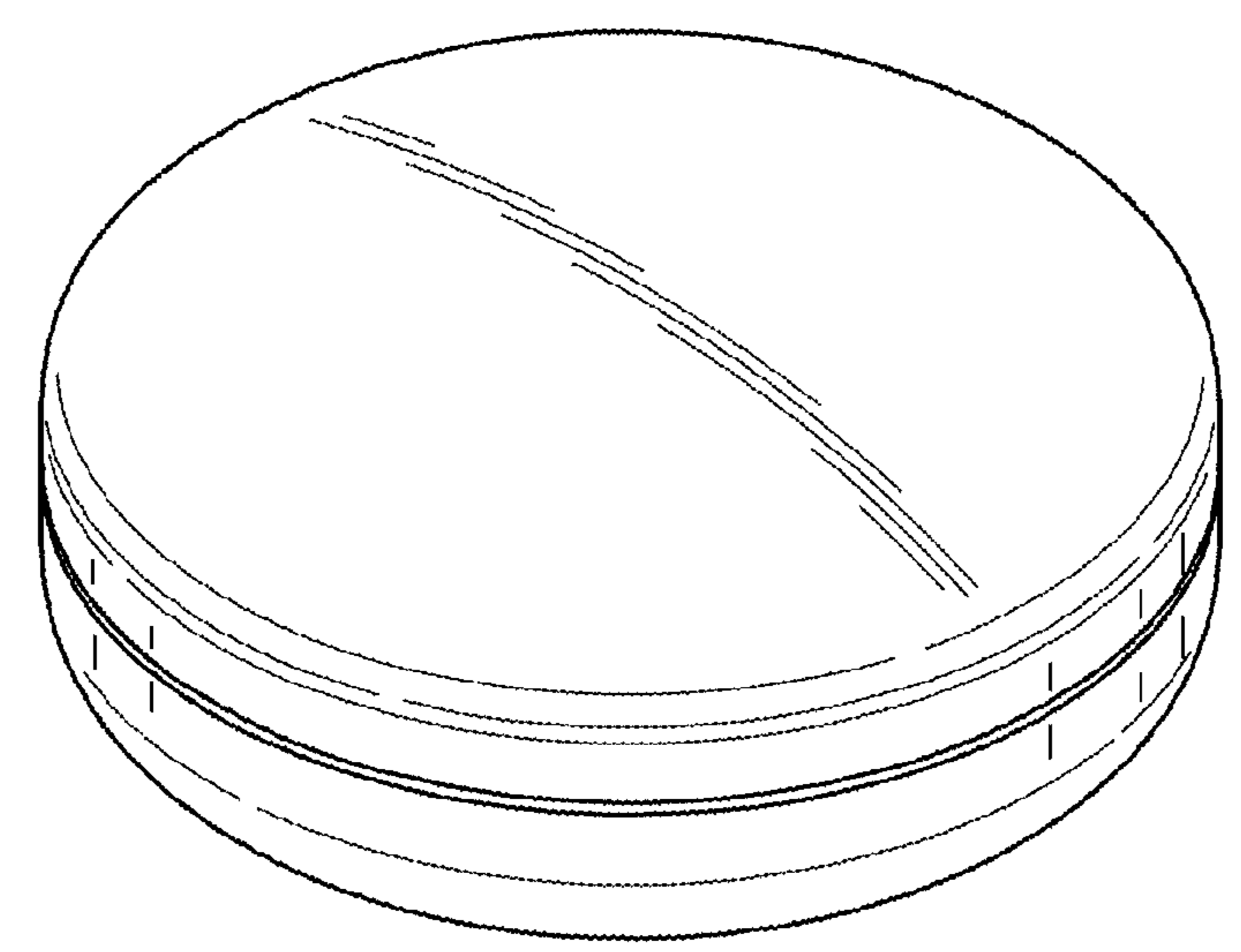
OTHER PUBLICATIONS  
Vidivici UV Essence Sun Cushion . . . [online]; [review published to the internet on Apr. 11, 2022]; [retrieved from the internet on Aug. 27, 2022]; URL: [https://www.sivillage.com/goods/initDetailGoods.siv?goods\\_no=2203478145](https://www.sivillage.com/goods/initDetailGoods.siv?goods_no=2203478145) (18 pages). (Year: 2022).\*

*Primary Examiner* — Jasmine Mlinarcik  
*Assistant Examiner* — Victoria A. Rielly  
(74) *Attorney, Agent, or Firm* — Greenberg Traurig, LLP

(57) **CLAIM**  
The ornamental design for a container for cosmetics, as shown and described.

**DESCRIPTION**  
FIG. 1 is a perspective view of a container for cosmetics; FIG. 2 is a back side view thereof; FIG. 3 is a front side view thereof; FIG. 4 is a right side view thereof; FIG. 5 is a left side view thereof; FIG. 6 is a top plan view thereof; and, FIG. 7 is a bottom plan view thereof.  
The surface shading lines in the drawings depict the character or contour of the surfaces represented and form no part of the claimed design.  
The evenly dashed broken lines in the figures depict portions of the container for cosmetics that form no part of the claimed design. The dot-dash-dot broken line in the drawings define the bounds of the claimed design and form no part thereof.

**1 Claim, 3 Drawing Sheets**



(56)

**References Cited**

U.S. PATENT DOCUMENTS

D953,011 S \* 5/2022 Hood ..... B65D 5/66  
D3/203.1  
2019/0365074 A1\* 12/2019 Kikuchi ..... A45D 33/08

\* cited by examiner

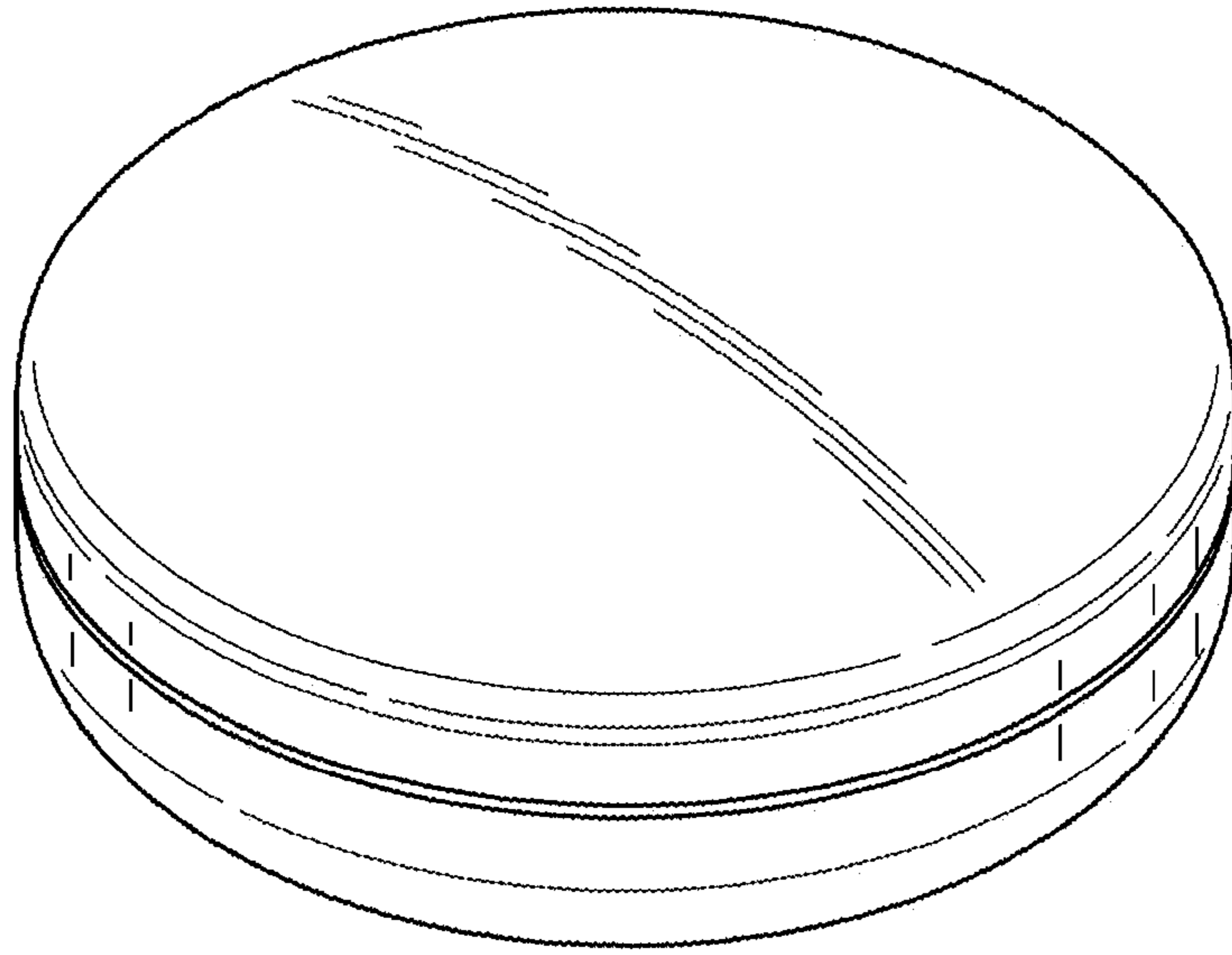


FIG. 1

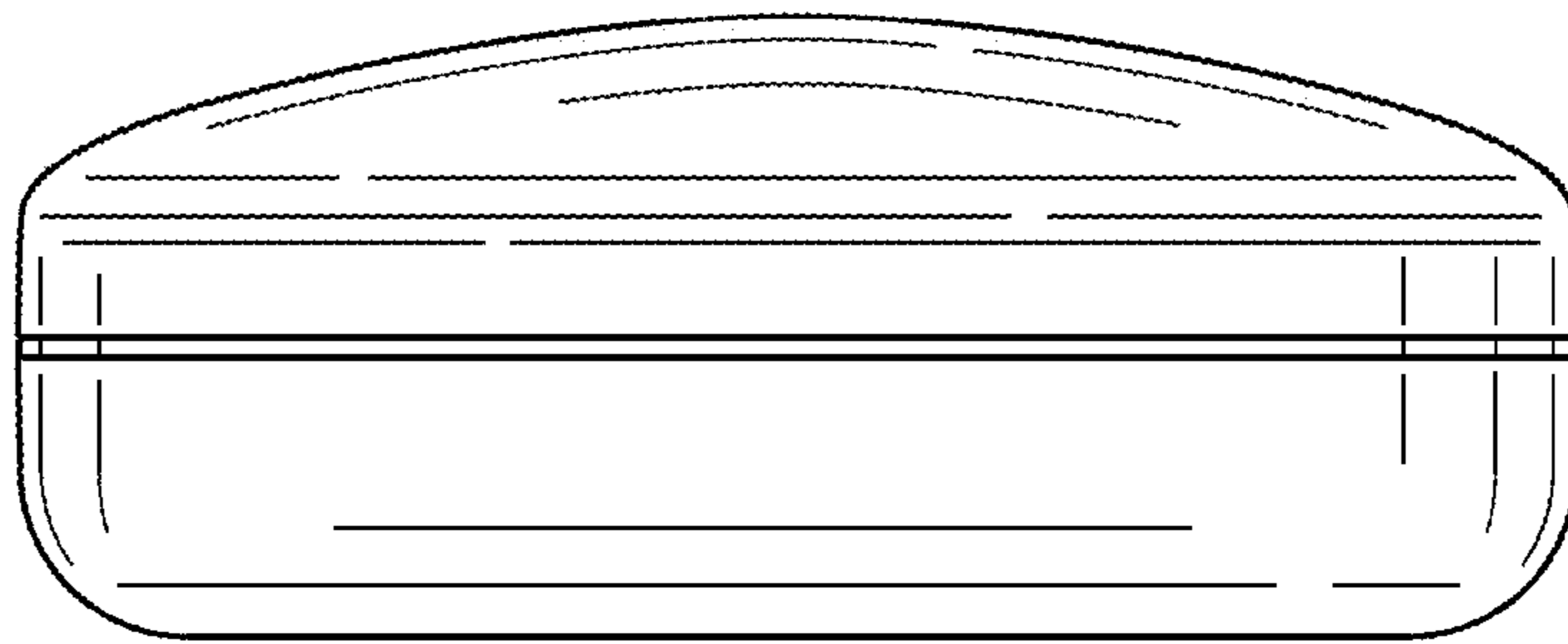


FIG. 2

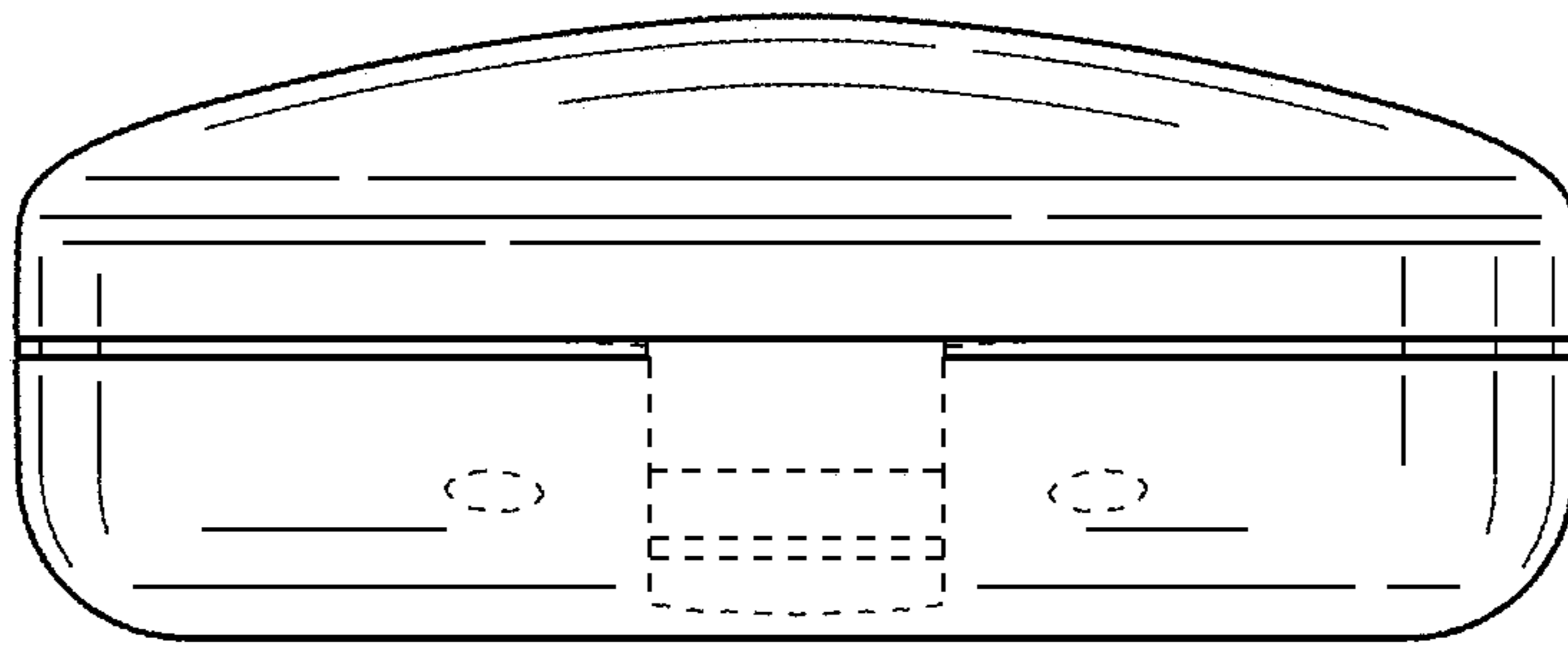


FIG. 3

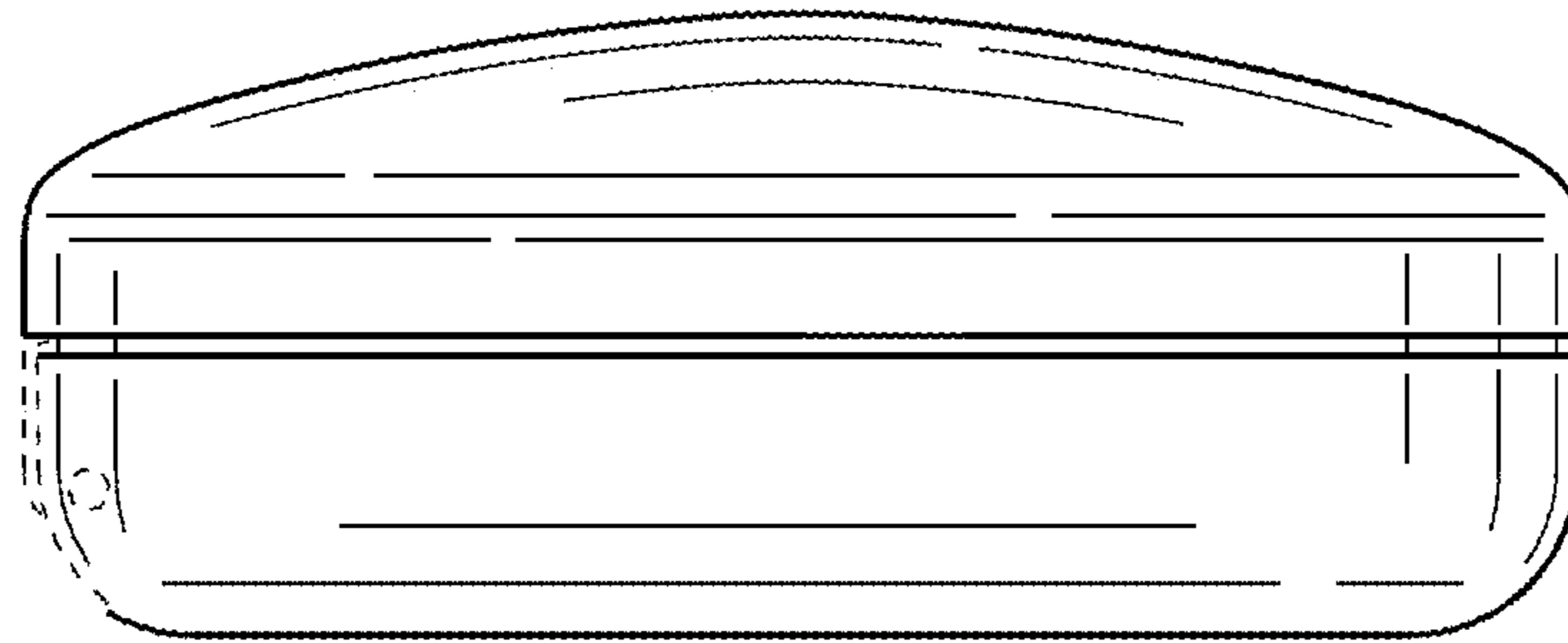


FIG. 4

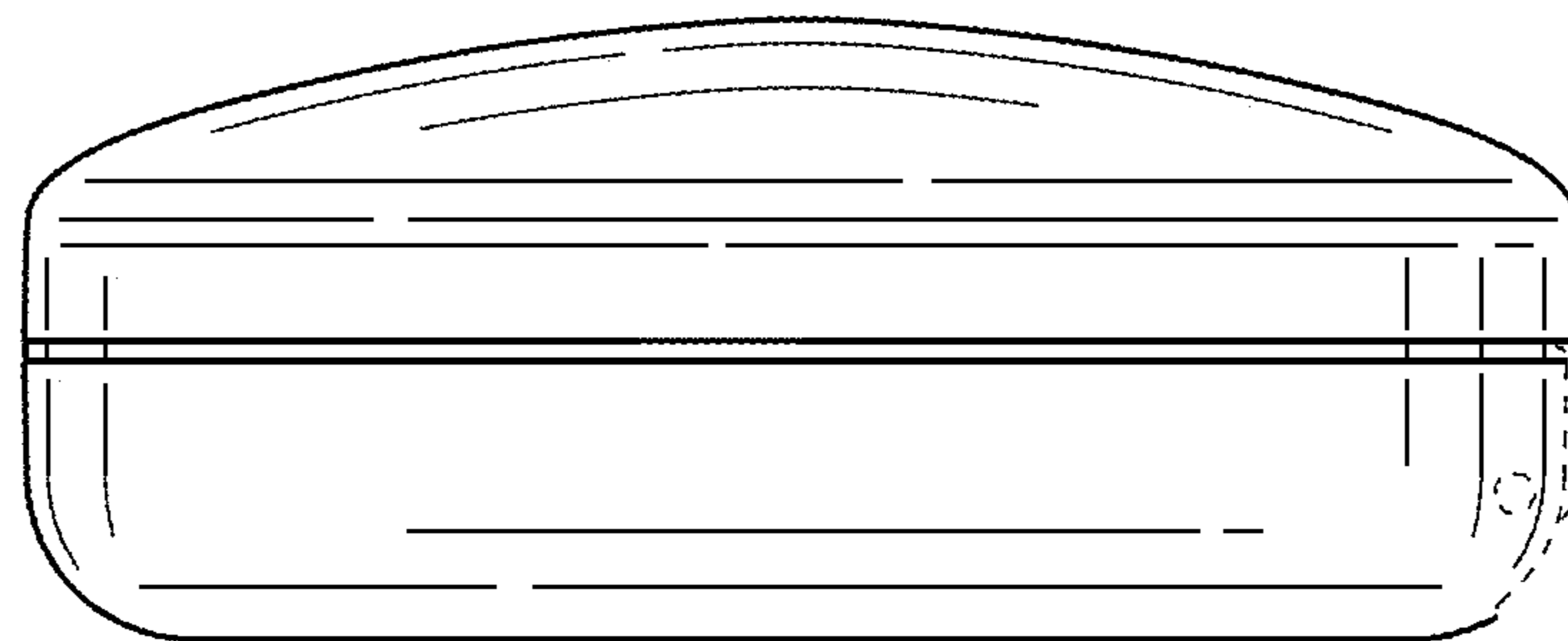


FIG. 5

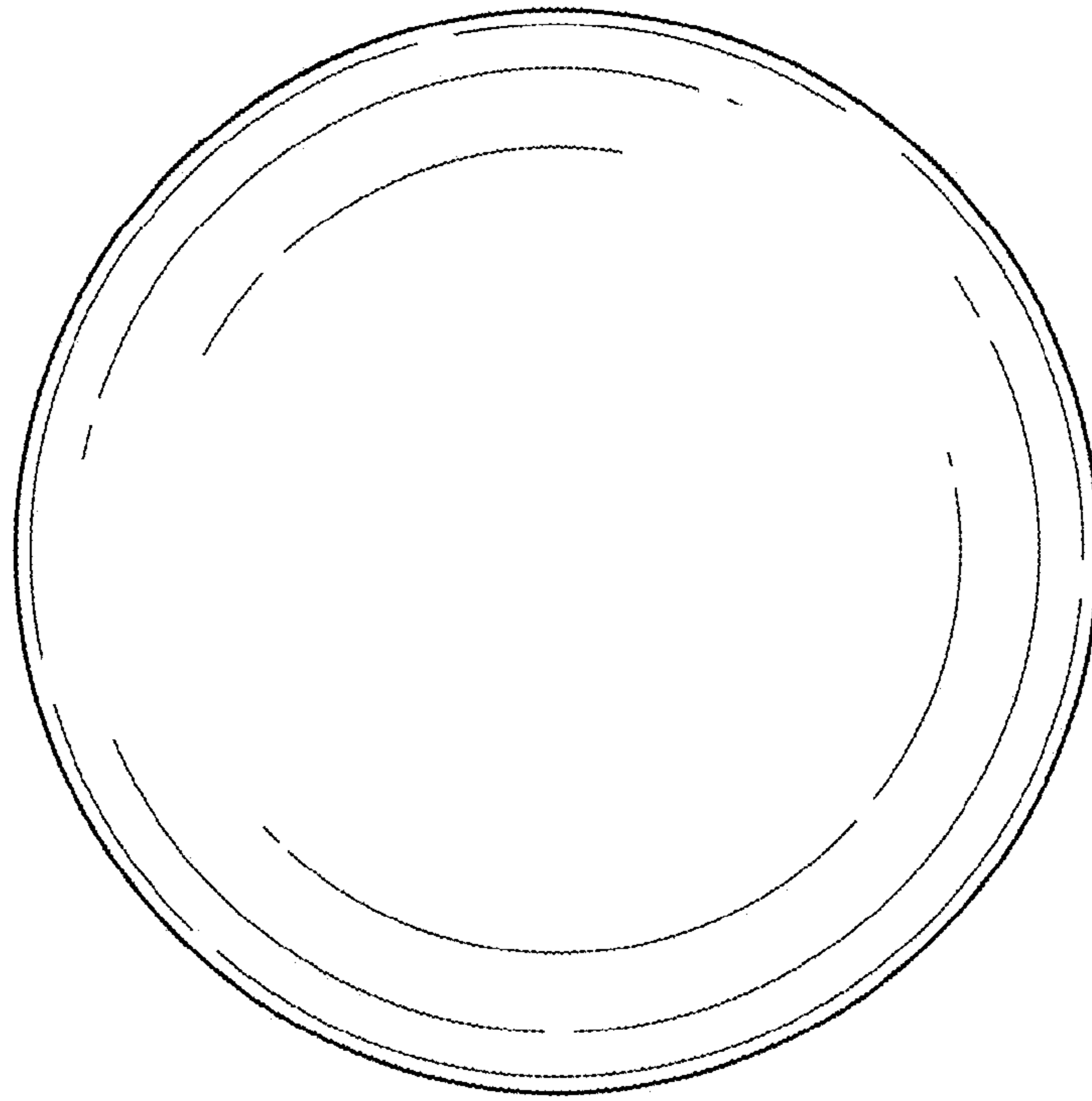


FIG. 6

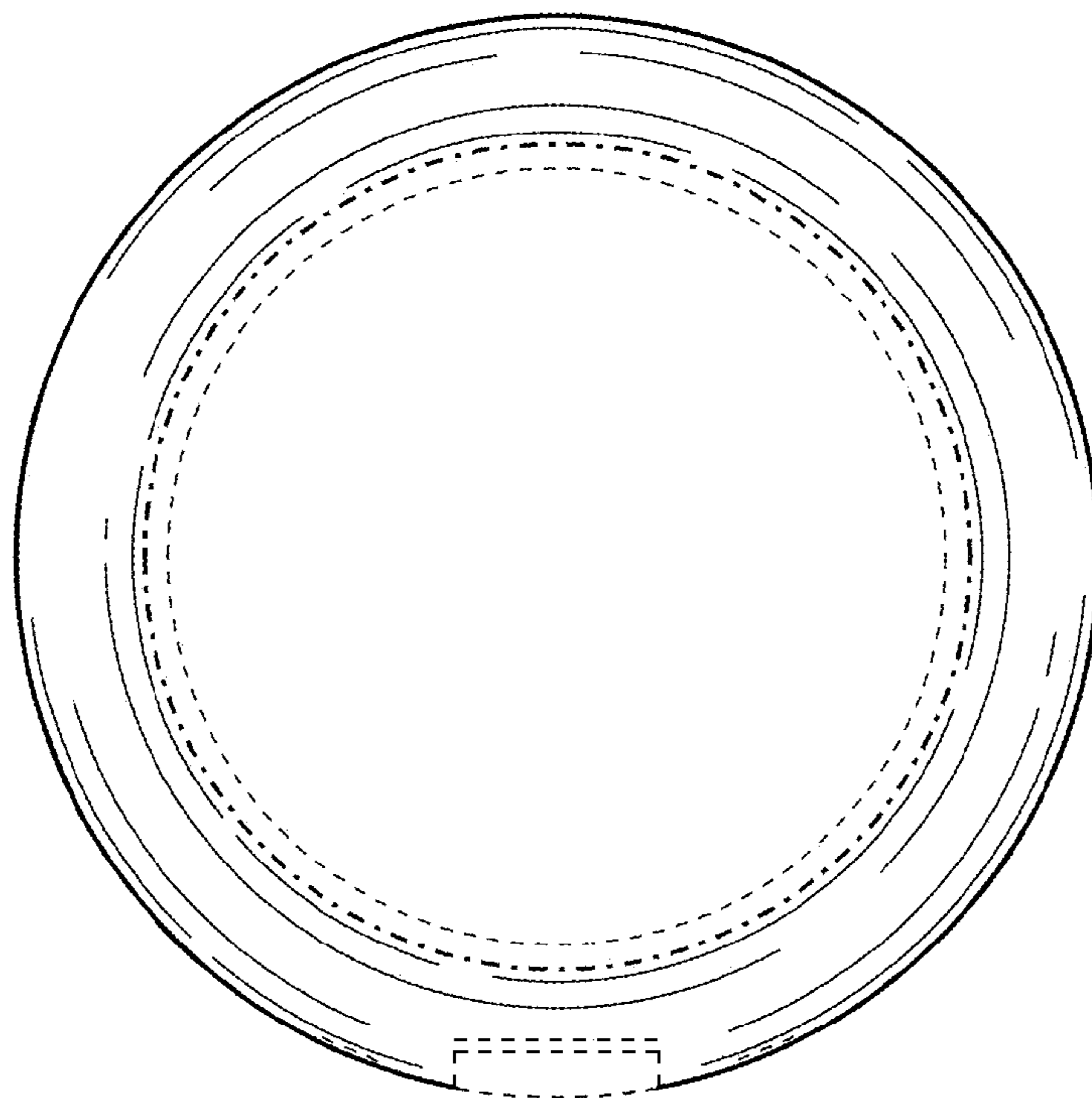


FIG. 7