



US00D971504S

(12) **United States Design Patent** (10) **Patent No.:** **US D971,504 S**  
**Fleming** (45) **Date of Patent:** **\*\* Nov. 29, 2022**

(54) **HAIR CLIPPER LID**  
(71) Applicant: **WAHL CLIPPER CORPORATION**,  
Sterling, IL (US)  
(72) Inventor: **Jeff Fleming**, Silvis, IL (US)  
(73) Assignee: **WAHL CLIPPER CORPORATION**,  
Sterling, IL (US)  
(\*\*) Term: **15 Years**  
(21) Appl. No.: **29/736,988**  
(22) Filed: **Jun. 4, 2020**  
(51) **LOC (13) Cl.** ..... **28-03**  
(52) **U.S. Cl.**  
USPC ..... **D28/54**  
(58) **Field of Classification Search**  
USPC ..... D28/49-54; D30/159  
CPC ..... B26B 19/00; B26B 19/04; B26B 19/06;  
B26B 19/10; B26B 19/18; B26B 19/38  
See application file for complete search history.

D790,132 S 6/2017 Aulwes et al.  
D790,133 S 6/2017 Aulwes et al.  
D800,965 S 10/2017 Aulwes et al.  
D808,592 S 1/2018 Fleming et al.  
D811,660 S 2/2018 Zachrich et al.  
D819,890 S \* 6/2018 Gross ..... D28/54  
D855,887 S 8/2019 Fleming et al.  
D870,384 S 12/2019 Fleming et al.  
D923,249 S \* 6/2021 Jiang ..... D28/53  
D930,903 S \* 9/2021 Zhuang ..... D28/53  
2009/0265942 A1 \* 10/2009 Beltran ..... B26B 19/06  
30/201  
2013/0067752 A1 \* 3/2013 Buck, Jr. .... B26B 19/3853  
30/196  
2020/0189134 A1 \* 6/2020 Tringali ..... B26B 19/3813  
2021/0343181 A1 \* 11/2021 Ortgiesen ..... B26B 19/205

\* cited by examiner

*Primary Examiner* — Jennifer Rivard  
*Assistant Examiner* — Alison M Ofstun  
(74) *Attorney, Agent, or Firm* — Greer, Burns & Crain,  
Ltd

(57) **CLAIM**

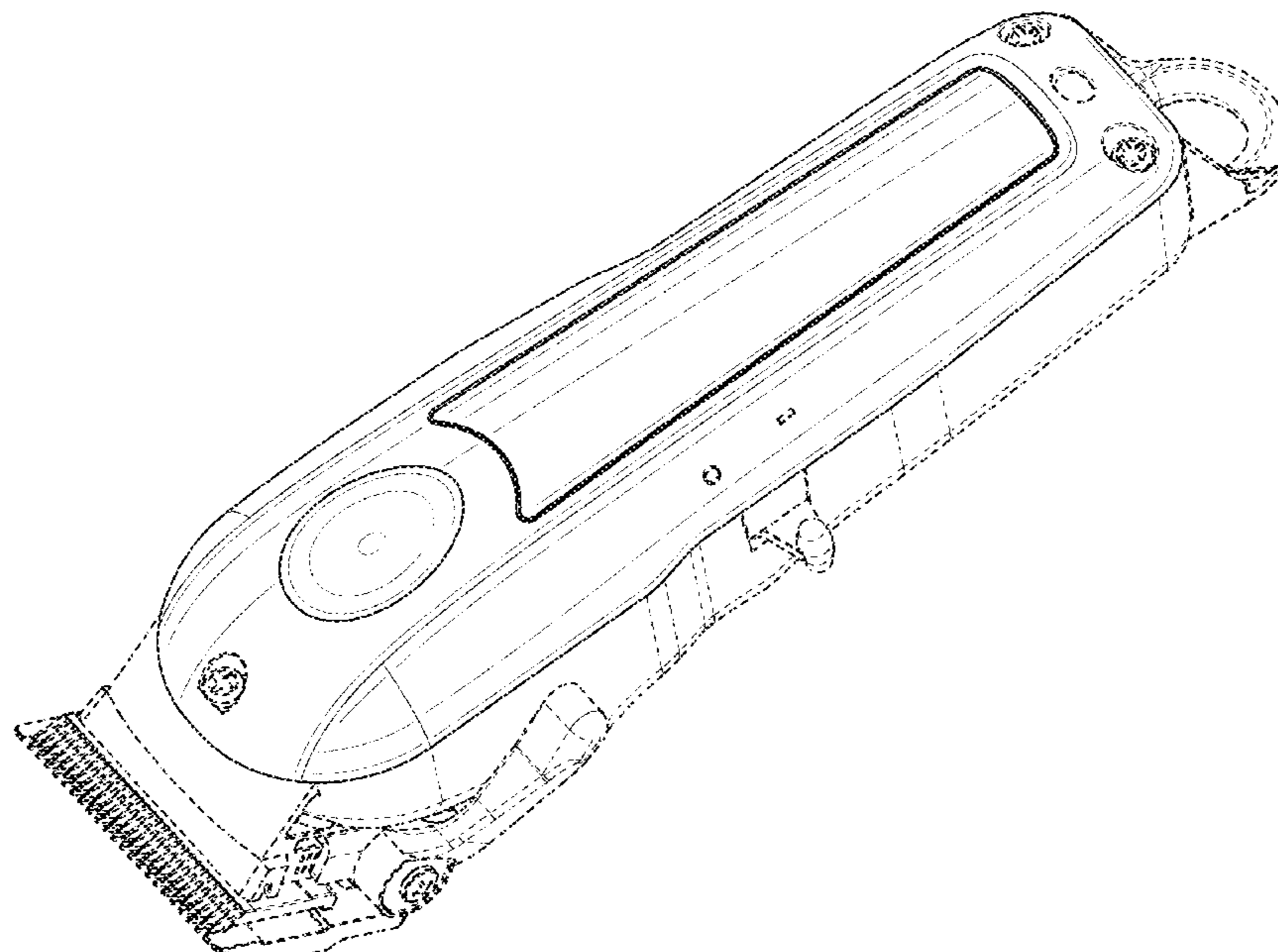
The ornamental design for a hair clipper lid, as shown and described.

**DESCRIPTION**

FIG. 1 is a top perspective view of a hair clipper lid, showing my new design;  
FIG. 2 is a left side view thereof;  
FIG. 3 is a right side view thereof;  
FIG. 4 is a rear view thereof;  
FIG. 5 is a front view thereof;  
FIG. 6 is a top view thereof; and,  
FIG. 7 is a bottom view thereof.  
In the drawings, the broken lines illustrate environmental subject matter and form no part of the claimed design.

**1 Claim, 6 Drawing Sheets**

(56) **References Cited**  
U.S. PATENT DOCUMENTS  
D500,392 S \* 12/2004 Buck, Jr. .... D28/54  
D513,344 S 12/2005 Choi  
D555,287 S 11/2007 Long  
D571,504 S 6/2008 Long et al.  
D577,865 S 9/2008 Long et al.  
D597,253 S 7/2009 Eddinger et al.  
D675,782 S 2/2013 Buck, Jr.  
D679,448 S 4/2013 Erickson et al.  
D700,999 S 3/2014 Aulwes et al.  
D715,489 S 10/2014 Aulwes et al.  
D715,490 S 10/2014 Aulwes et al.  
9,038,276 B2 \* 5/2015 Arndt ..... B26B 19/06  
30/208  
D758,665 S \* 6/2016 Skuhra ..... D28/54



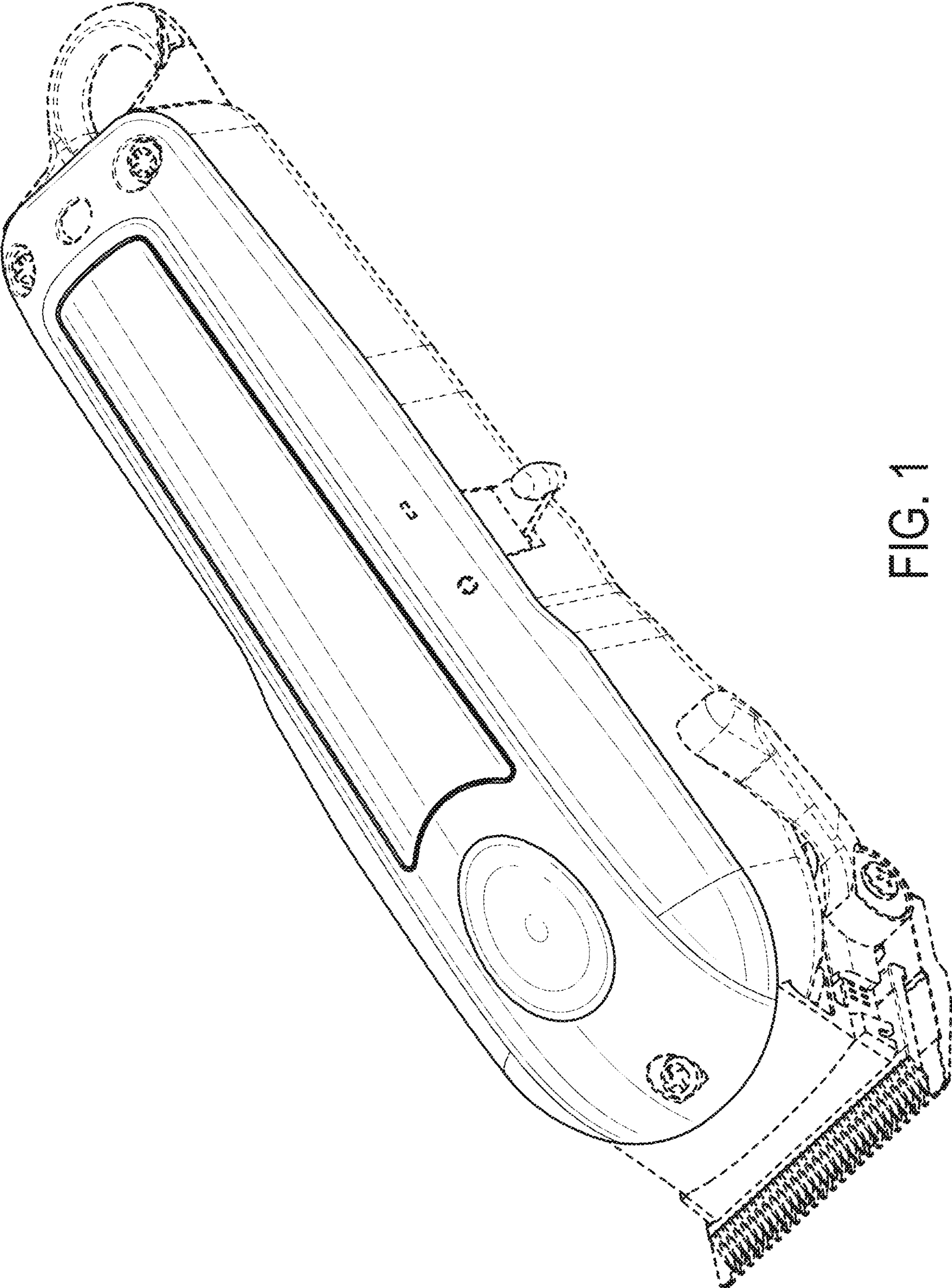


FIG. 1

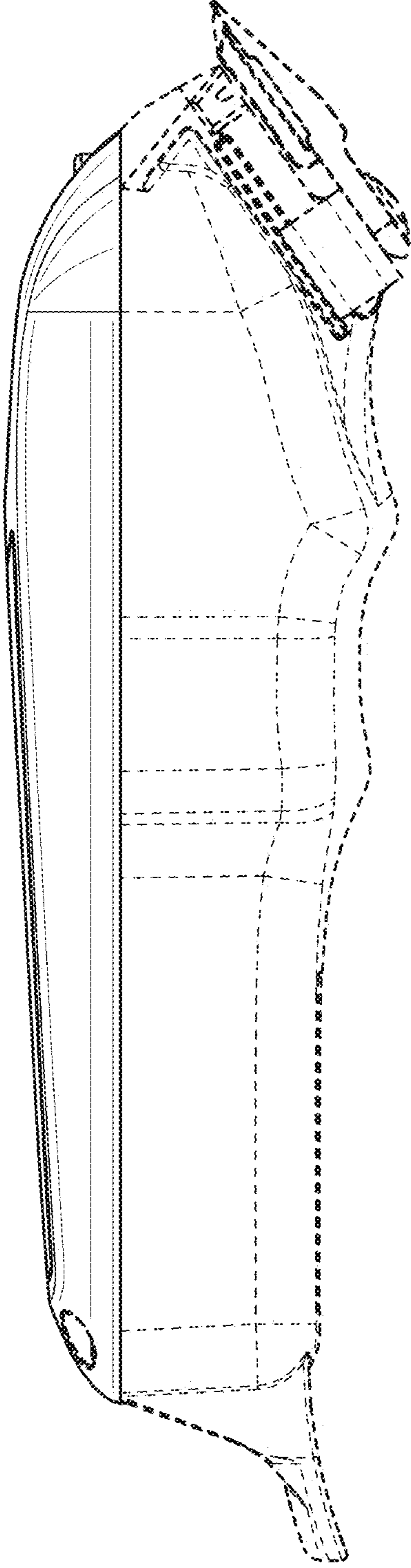


FIG. 2

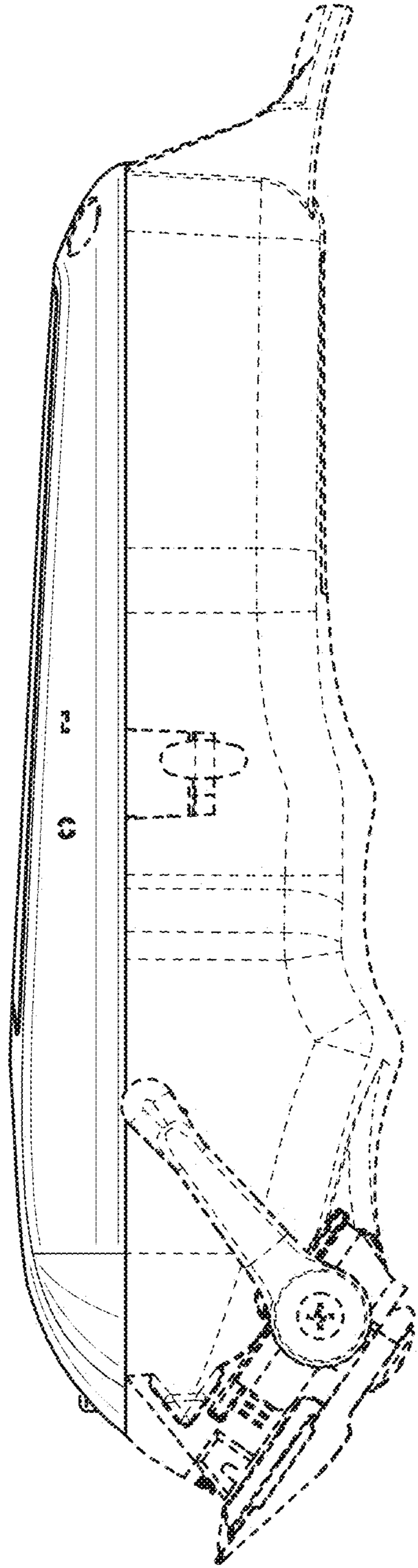


FIG. 3

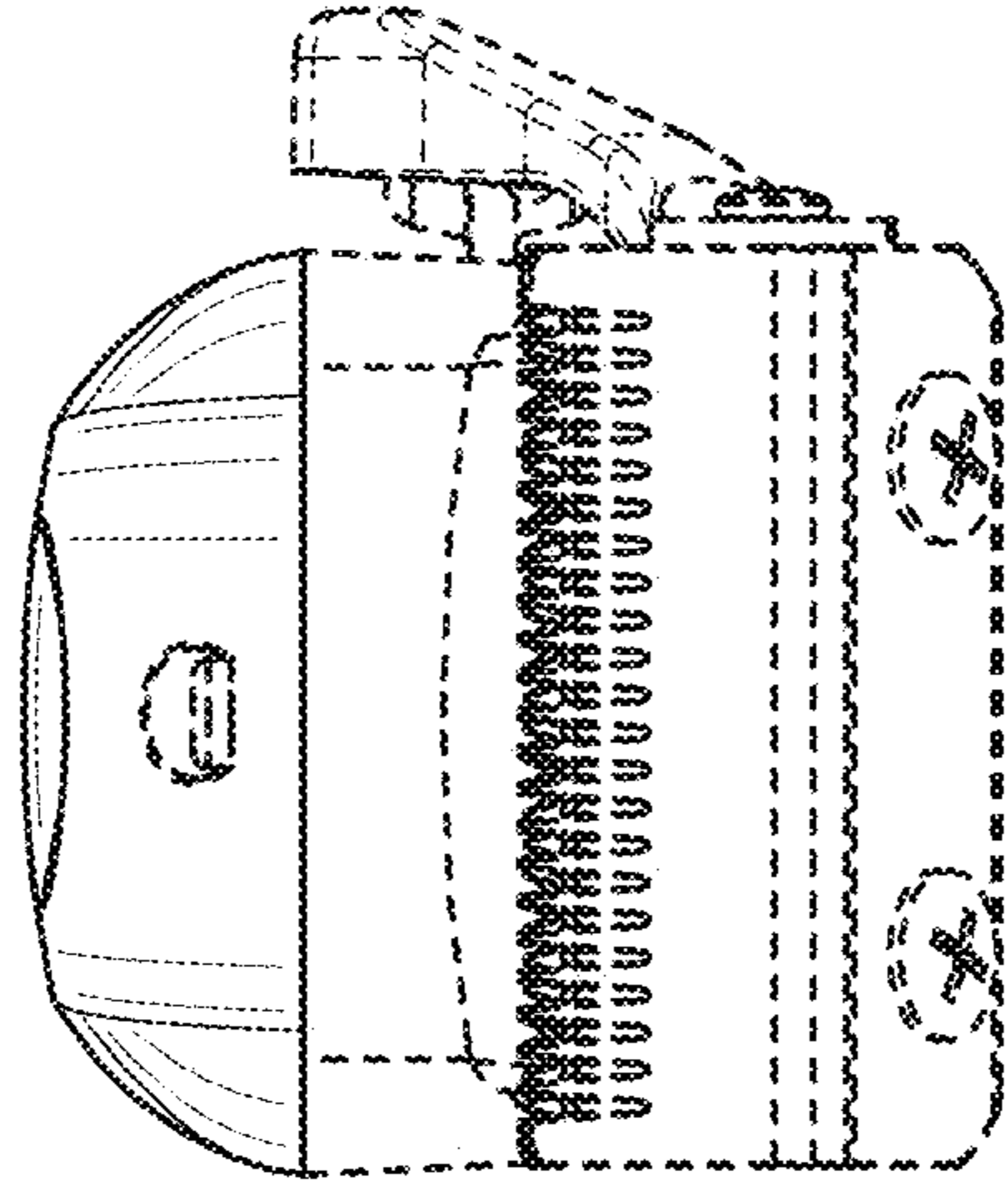


FIG. 4

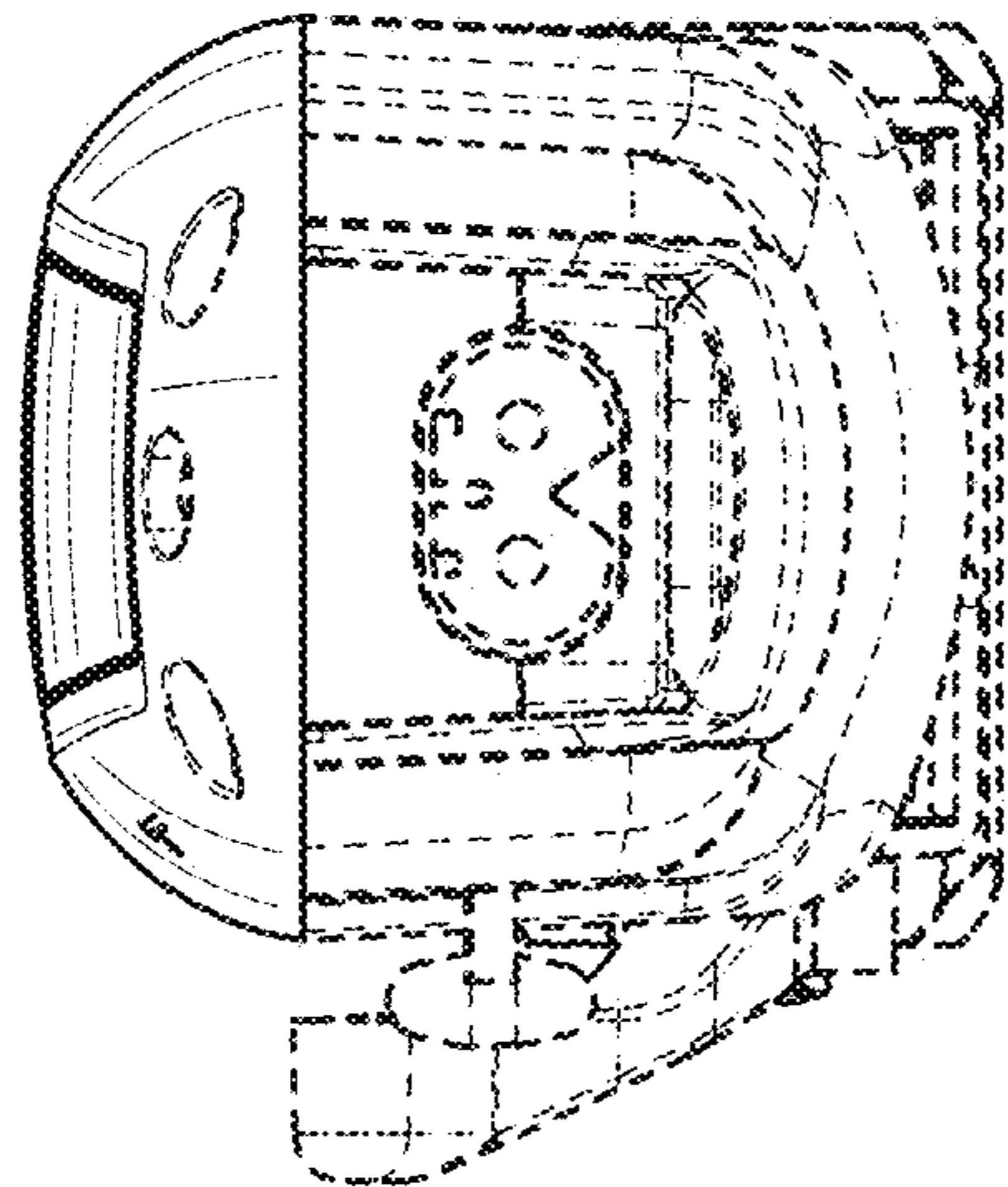


FIG. 5

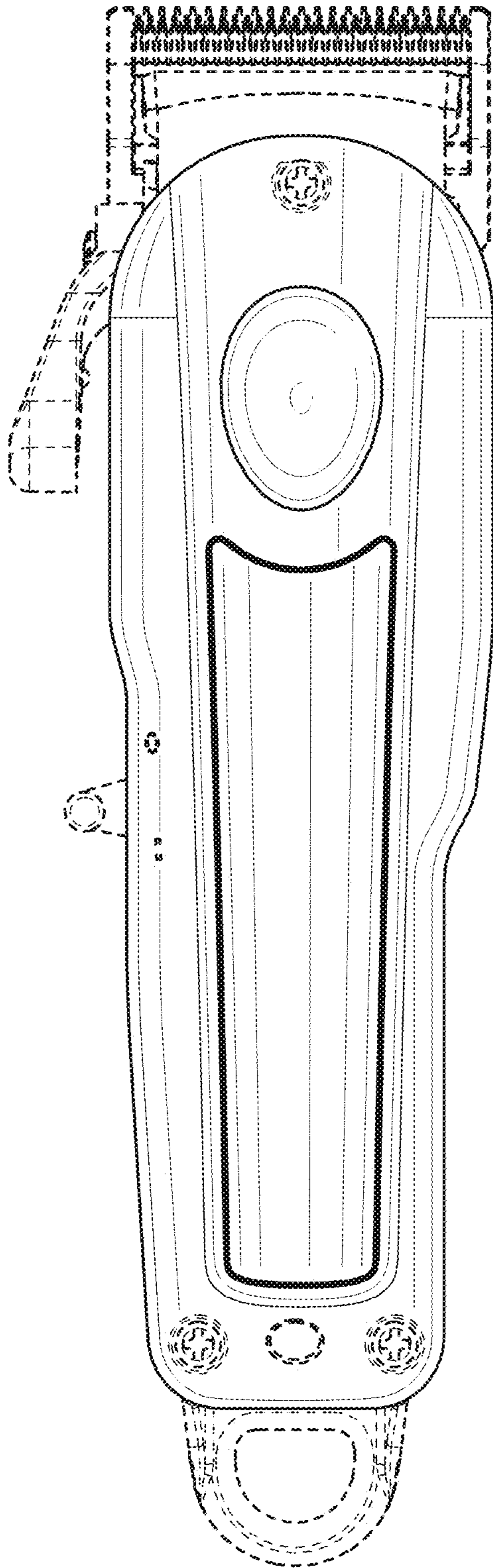


FIG. 6

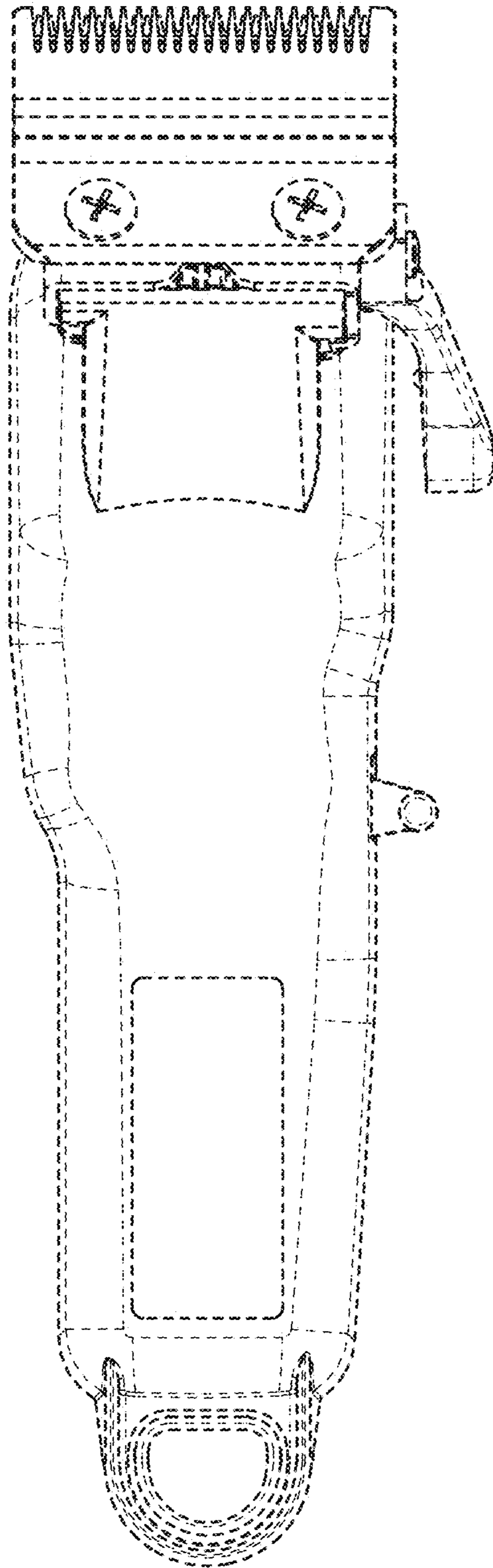


FIG. 7