



US00D971502S

(12) **United States Design Patent**  
**Huang**

(10) **Patent No.:** **US D971,502 S**

(45) **Date of Patent:** **\*\* Nov. 29, 2022**

(54) **ELECTRIC SHAVER**

(71) Applicant: **NOTRIE LIMITED**, Aurora, CO (US)

(72) Inventor: **Shengwen Huang**, Anxiang (CN)

(\*\*) Term: **15 Years**

(21) Appl. No.: **29/748,546**

(22) Filed: **Aug. 31, 2020**

(51) **LOC (13) Cl.** ..... **28-03**

(52) **U.S. Cl.**

USPC ..... **D28/53**

(58) **Field of Classification Search**

USPC ..... D28/49-54; D30/158-159

CPC ..... B26B 19/00; B26B 19/04; B26B 19/06;

B26B 19/10; B26B 19/18; B26B 19/38;

B26B 19/20; B26B 19/28; B26B 19/30;

B26B 19/3873; B26B 19/3853

See application file for complete search history.

(56) **References Cited**

**U.S. PATENT DOCUMENTS**

D717,001 S \* 11/2014 Uematsu ..... D28/53

D859,743 S \* 9/2019 Lambrecht ..... B26B 19/00

D28/53

D867,663 S \* 11/2019 Boulanger ..... D28/53

D870,383 S \* 12/2019 Zhang ..... D28/53

D897,601 S \* 9/2020 Zhang ..... D28/53

D897,603 S \* 9/2020 Zhang ..... D28/53

D910,918 S \* 2/2021 Jiang ..... D28/53

D923,247 S \* 6/2021 Jiang ..... D28/53

D923,248 S \* 6/2021 Jiang ..... D28/53

D936,901 S \* 11/2021 Ji ..... D28/53

D950,851 S \* 5/2022 Cai ..... D28/53

D957,060 S \* 7/2022 Zhang ..... D28/53

2022/0184833 A1 \* 6/2022 Novak ..... B26B 19/12

\* cited by examiner

*Primary Examiner* — Jennifer Rivard

*Assistant Examiner* — Alison M Ofstun

(57) **CLAIM**

The ornamental design for an electric shaver, as shown and described.

**DESCRIPTION**

FIG. 1 is a first perspective view of an electric shaver showing my new design;

FIG. 2 is a second perspective view thereof;

FIG. 3 is a front view thereof;

FIG. 4 is a back view thereof;

FIG. 5 is a left side view thereof;

FIG. 6 is a right side view thereof;

FIG. 7 is a top view thereof;

FIG. 8 is a bottom view thereof;

FIG. 9 is an enlarged view of portion "9" shown in FIG. 1;

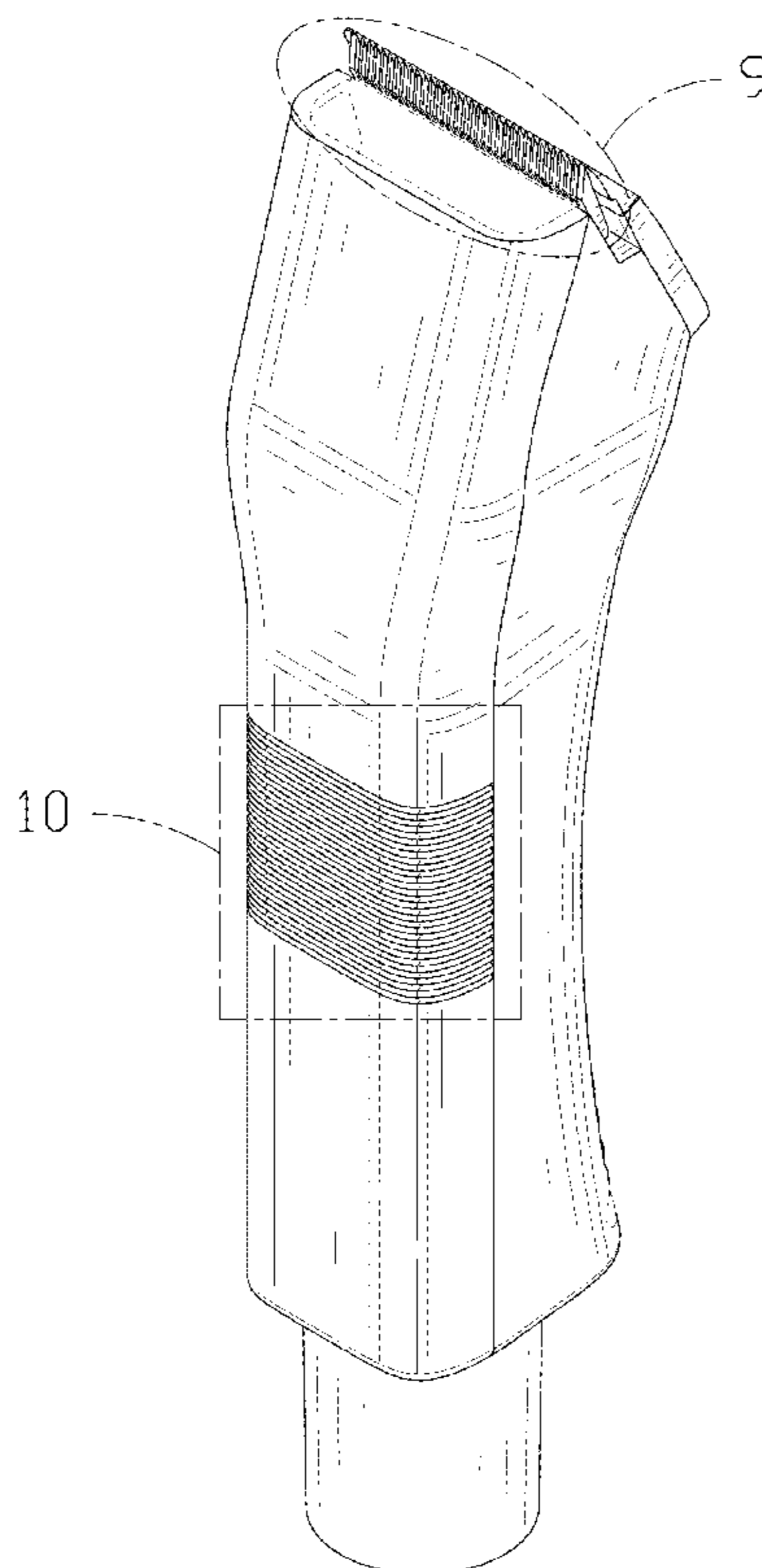
FIG. 10 is an enlarged view of portion "10" shown in FIG. 1;

FIG. 11 is an enlarged view of portion "11" shown in FIG. 2; and,

FIG. 12 is an enlarged view of portion "12" shown in FIG. 2.

The broken lines in the drawings illustrate portions of the electric shaver that form no part of the claimed design.

**1 Claim, 12 Drawing Sheets**



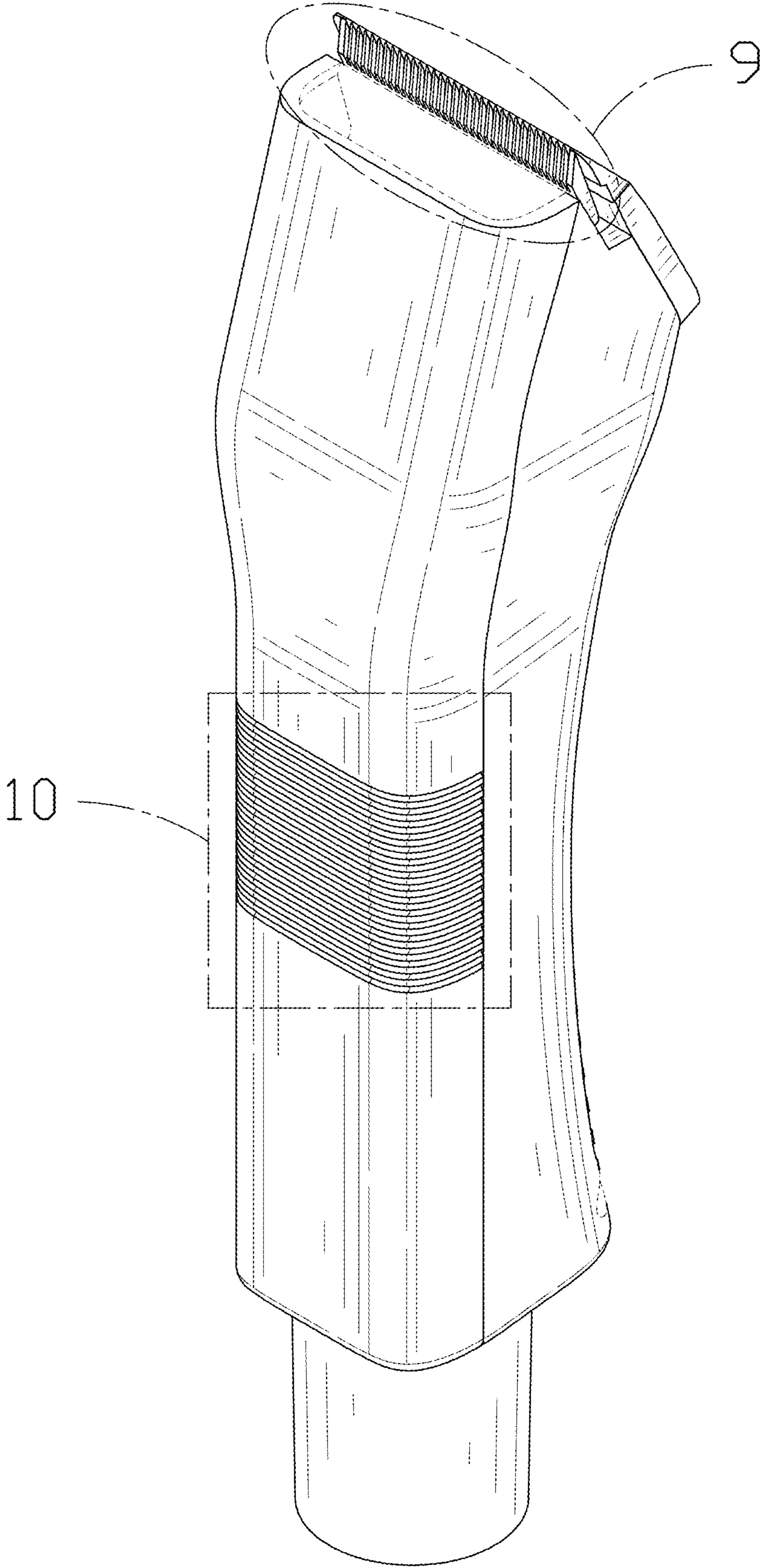


FIG. 1

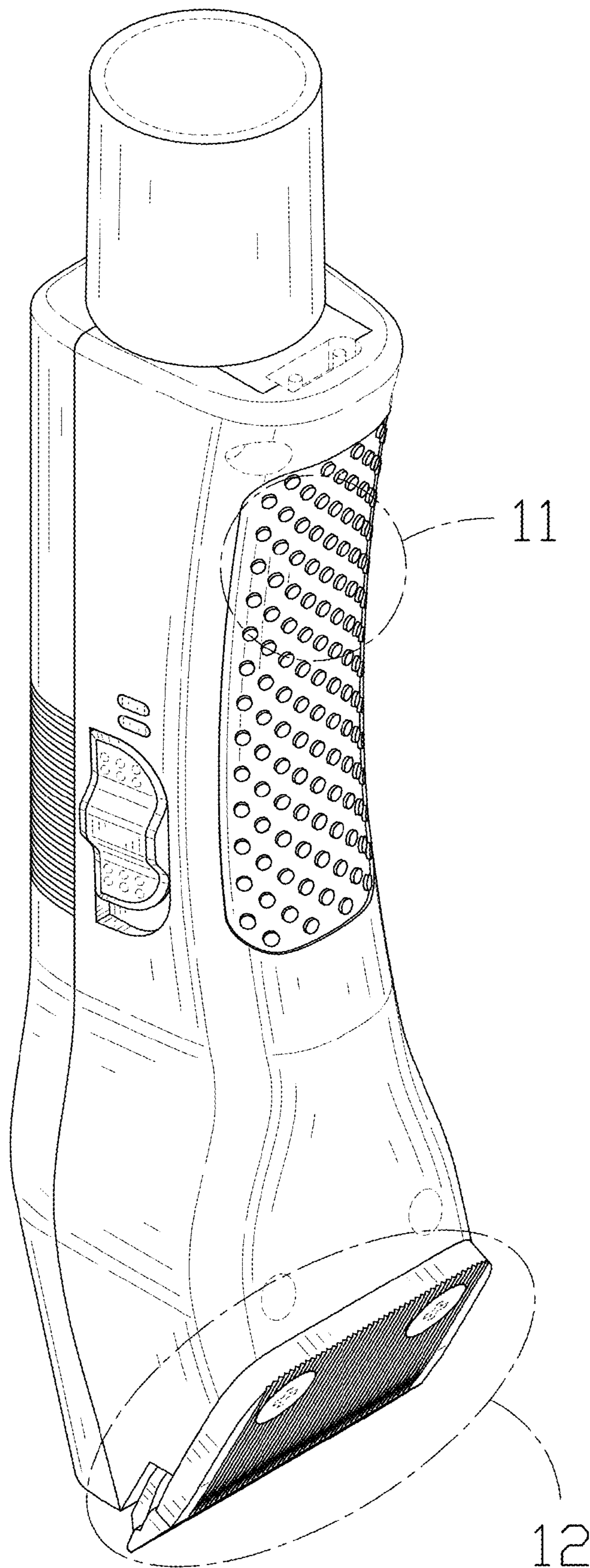


FIG. 2

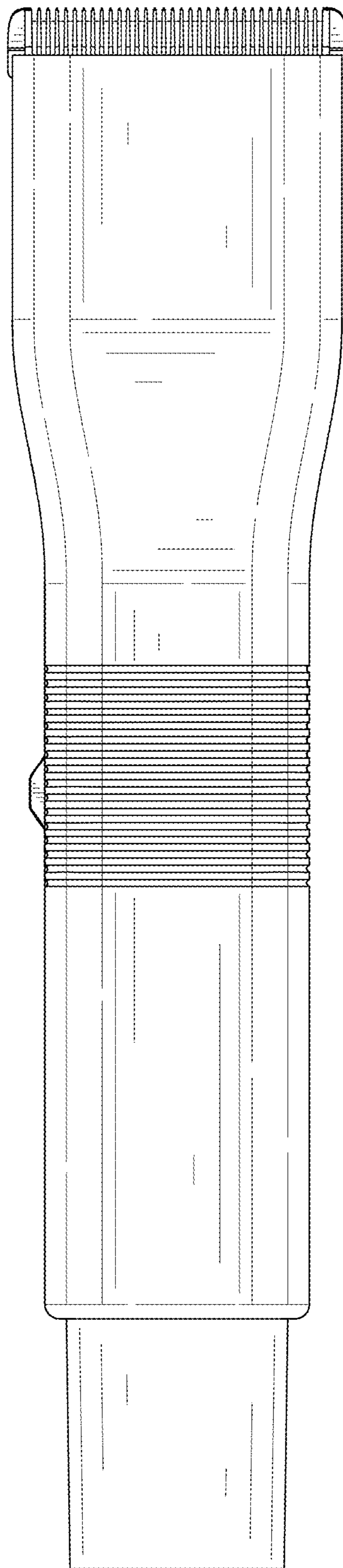


FIG. 3



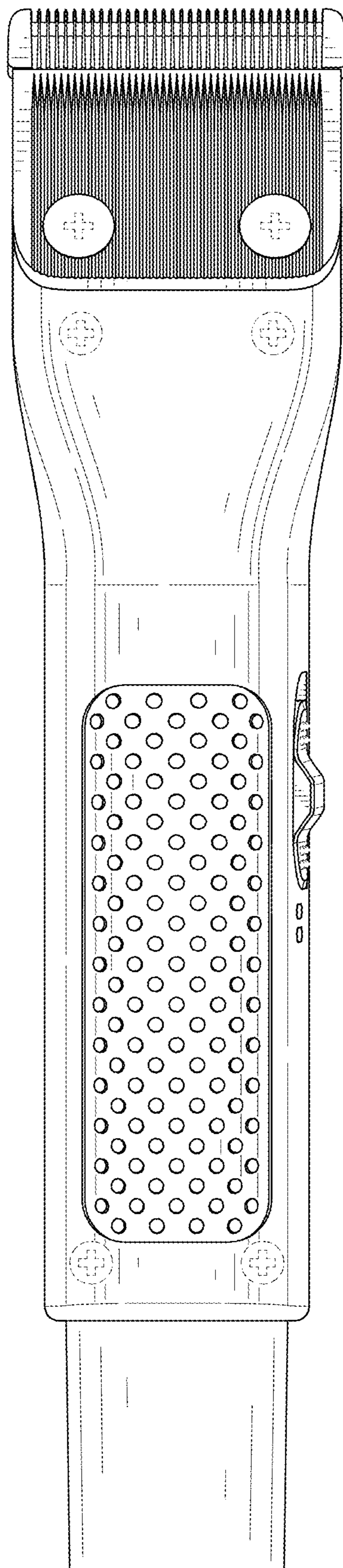


FIG. 4

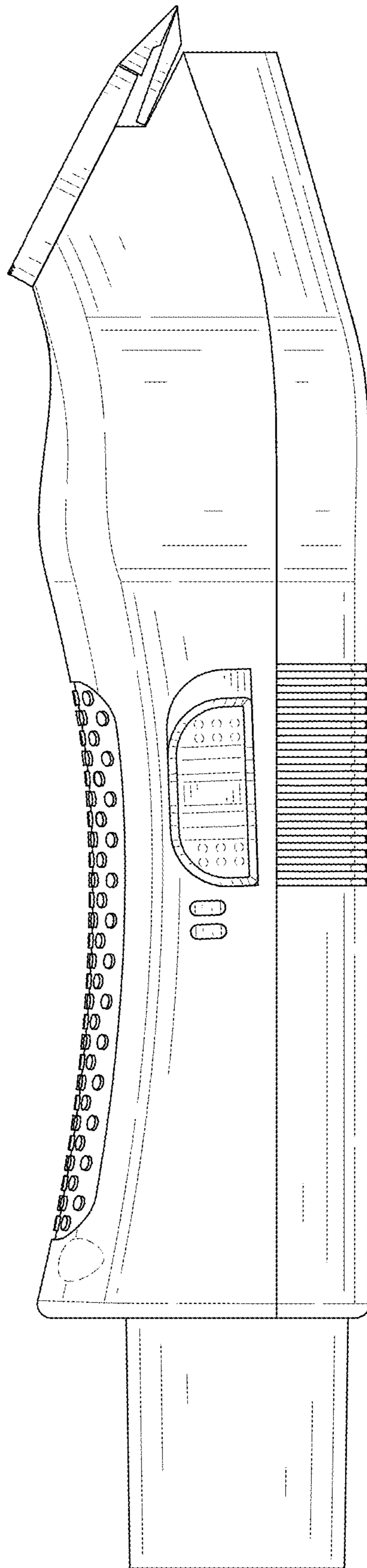


FIG. 5

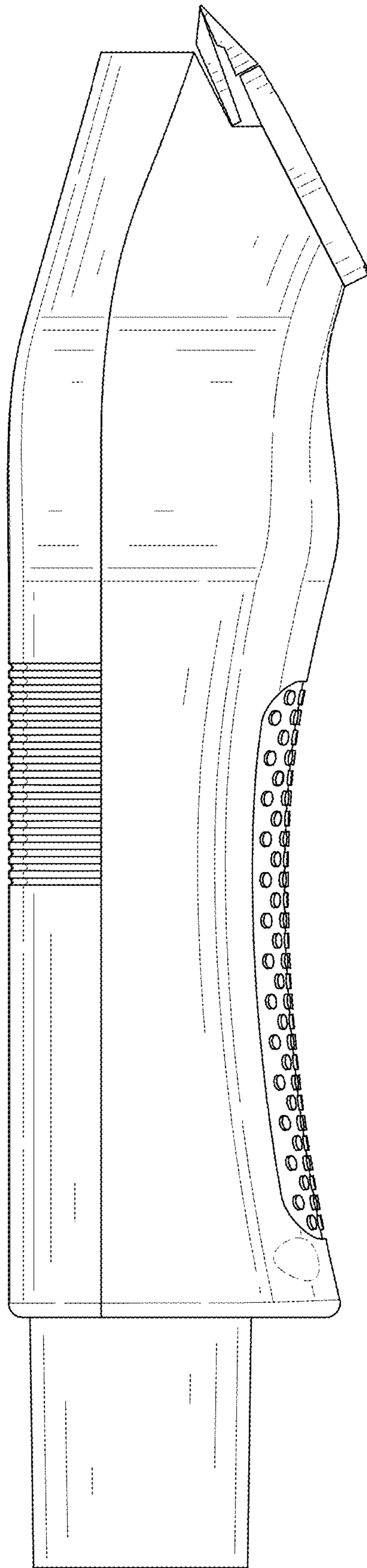


FIG. 6

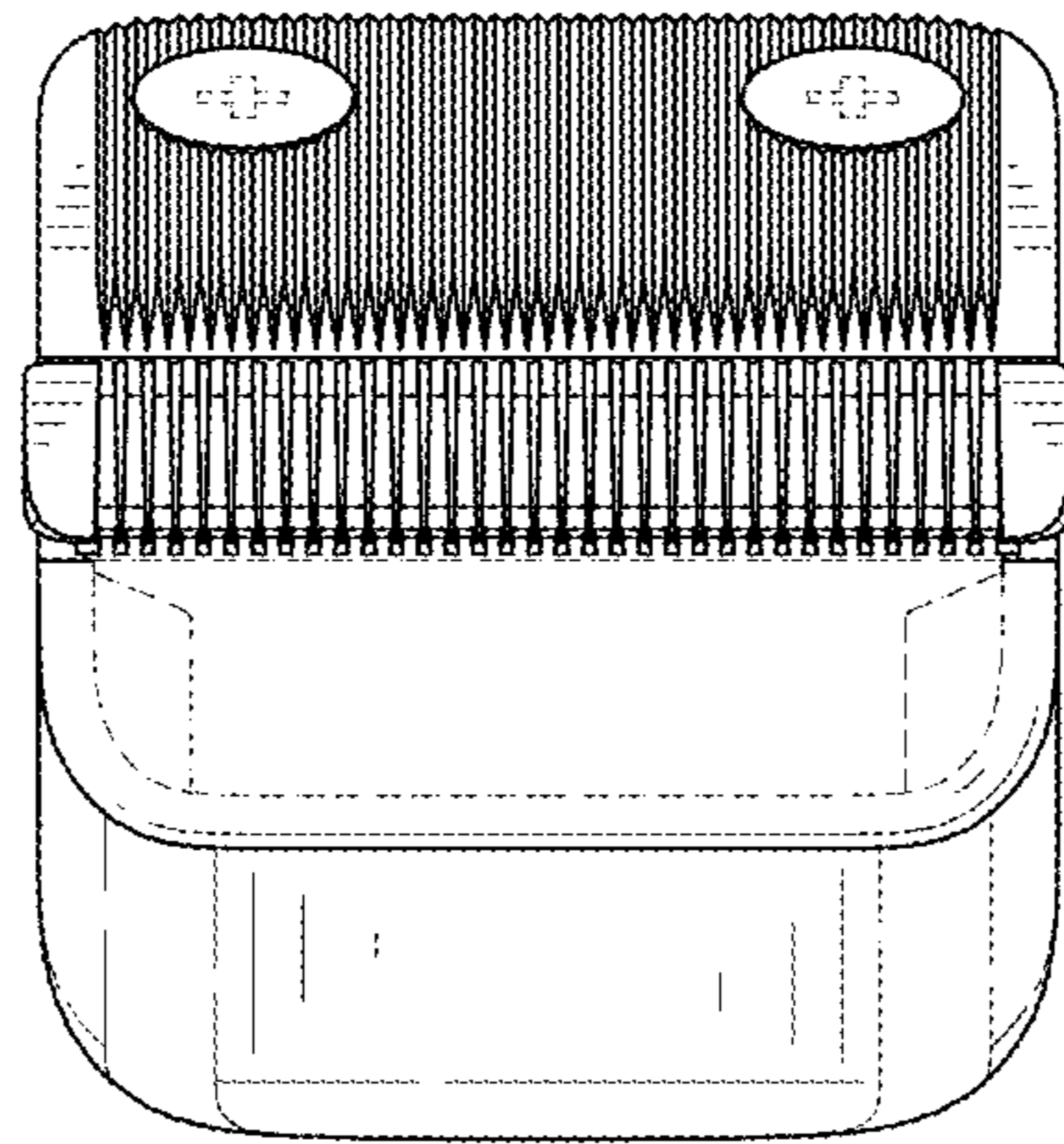


FIG. 7



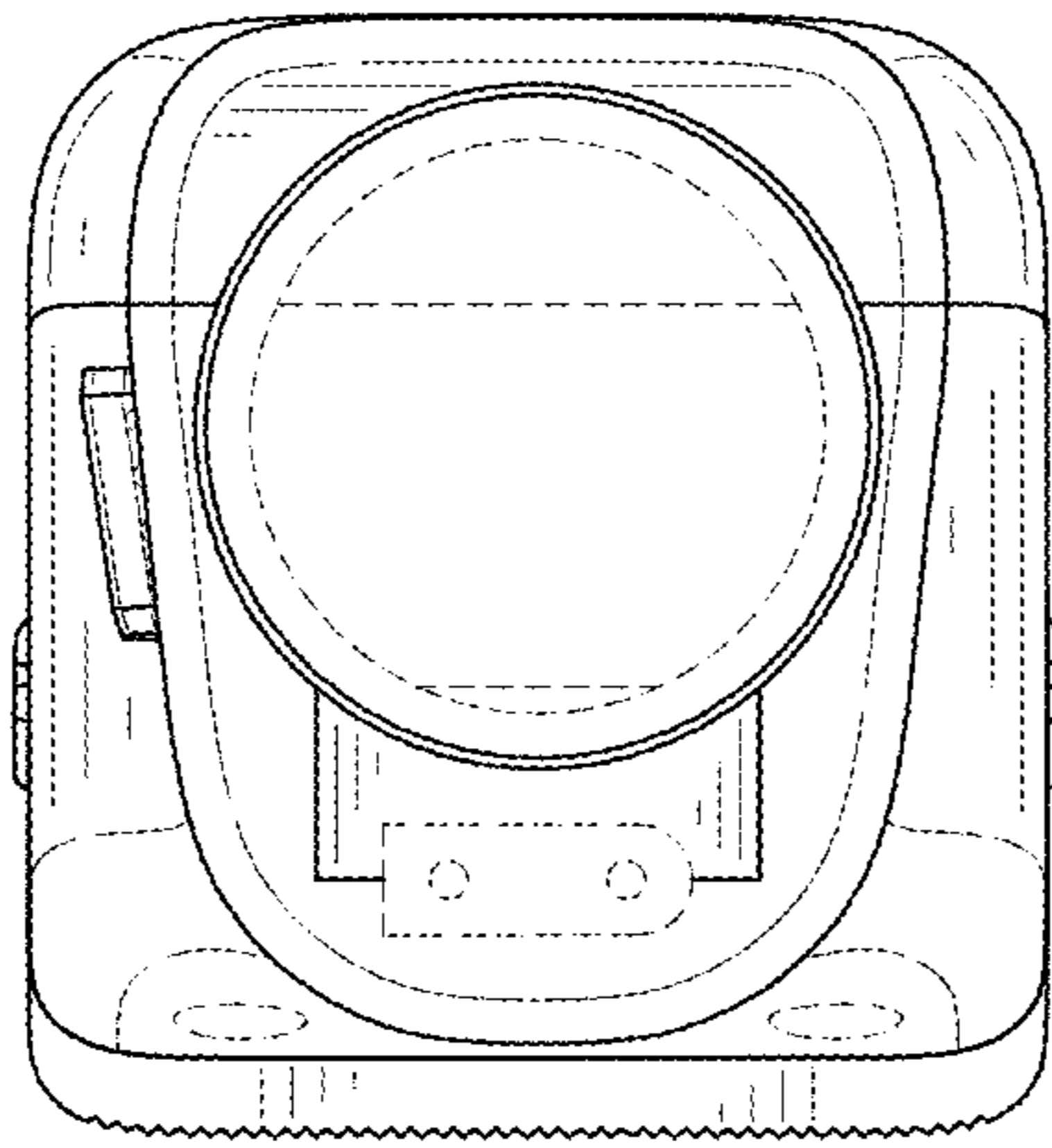


FIG. 8

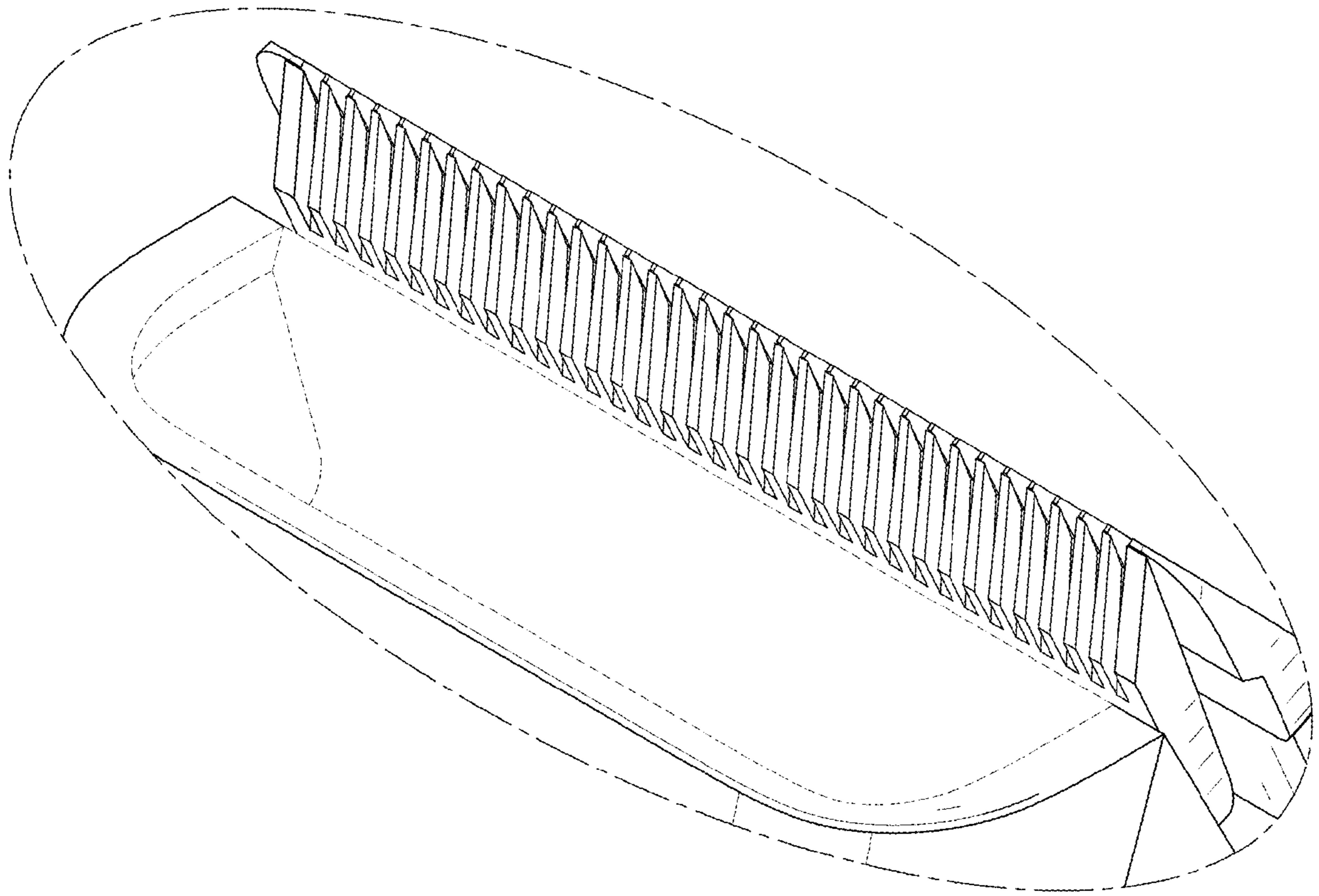


FIG. 9

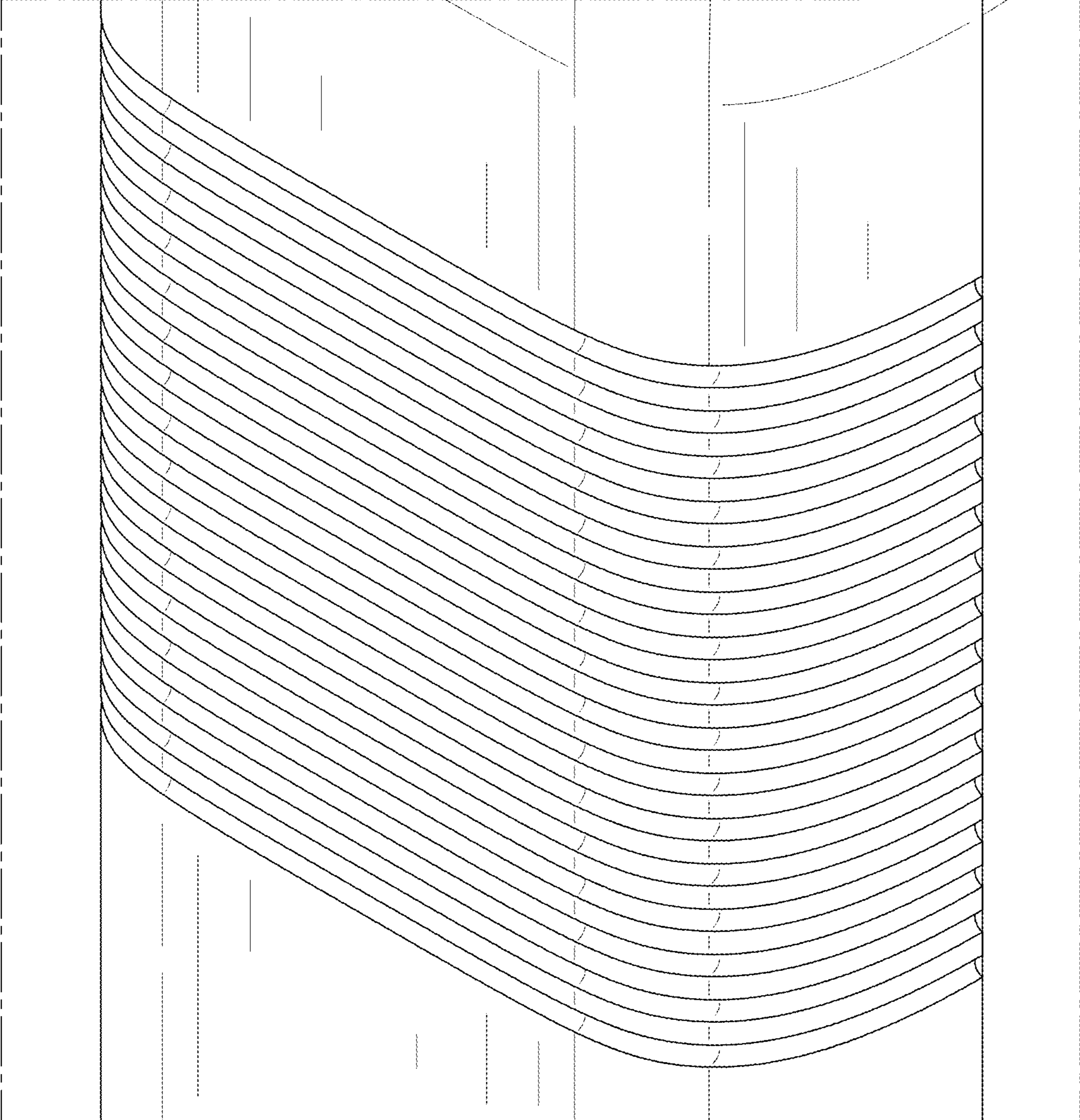


FIG. 10

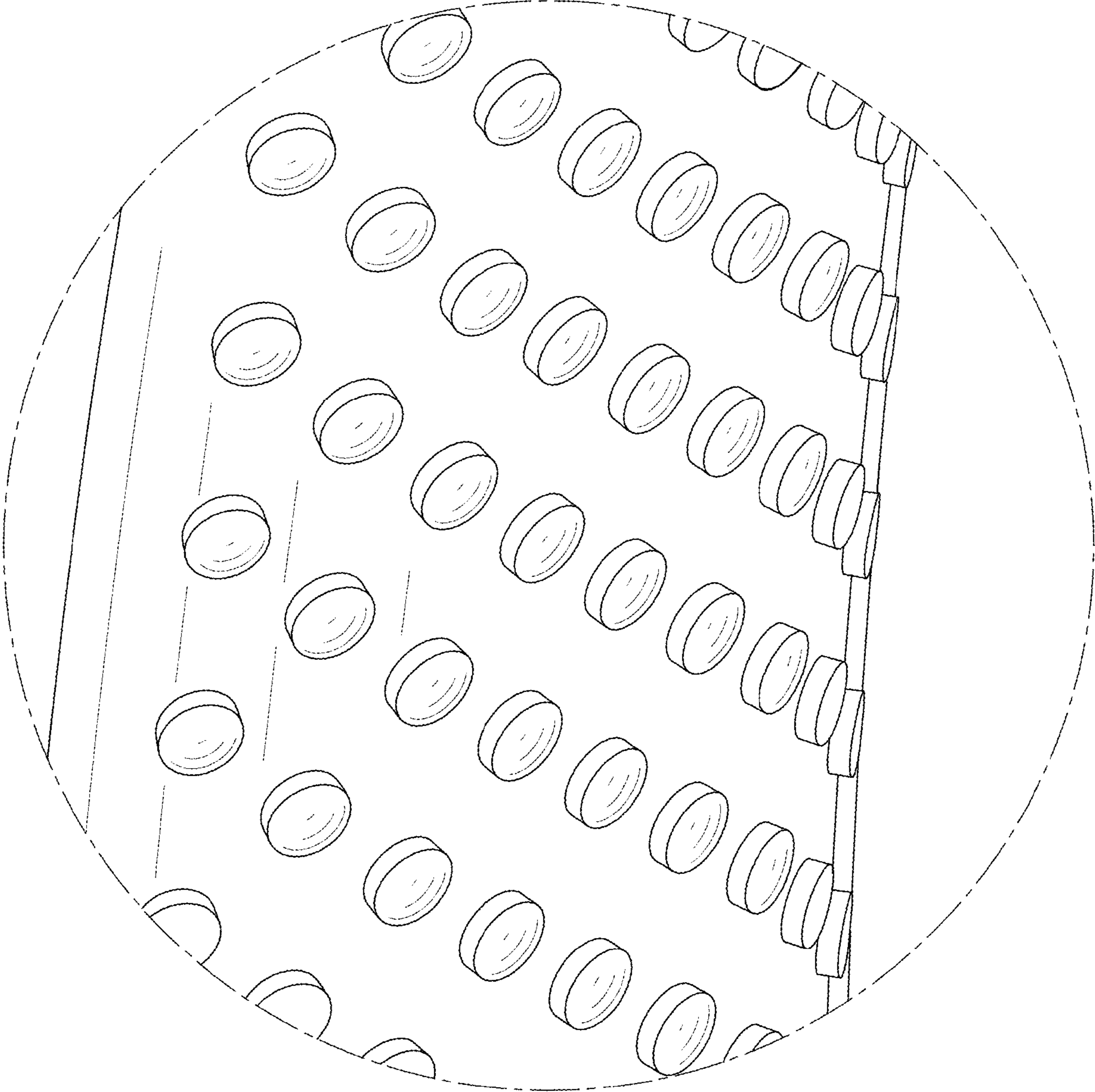


FIG. 11



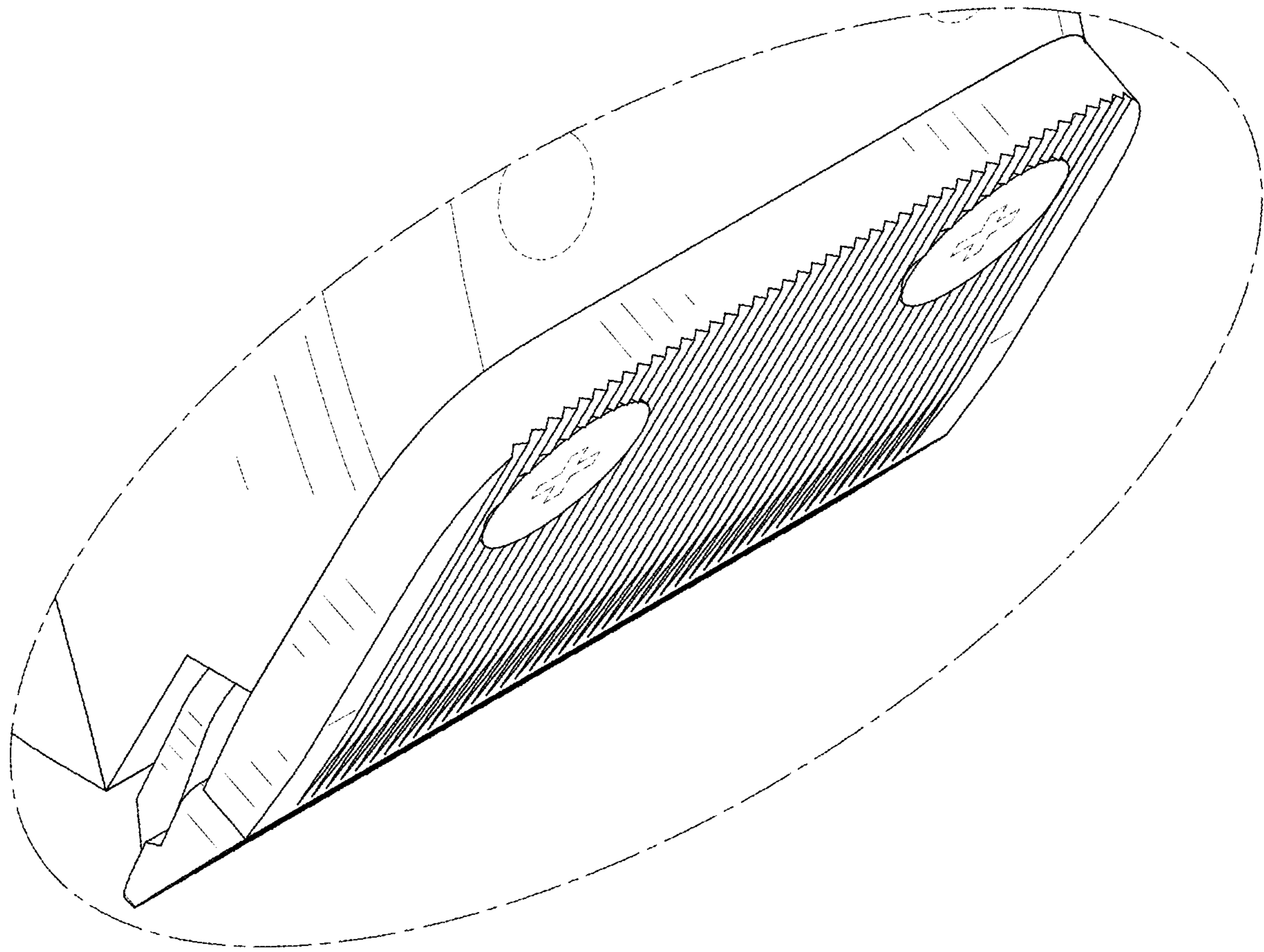


FIG. 12