



US00D971498S

(12) **United States Design Patent** (10) **Patent No.:** **US D971,498 S**
Guo (45) **Date of Patent:** **** Nov. 29, 2022**

(54) **ROLLER-TYPE BACK EMULSION APPLICATOR**

D382,083 S * 8/1997 Skelton D28/7
D385,060 S * 10/1997 Burrell D28/7
D418,631 S * 1/2000 Clouse D28/7
D663,479 S * 7/2012 Ammerman D28/7

(71) Applicant: **NINGHAI ARK COMMODITY CO., LTD.**, Zhejiang (CN)

* cited by examiner

(72) Inventor: **Nenyan Guo**, Zhejiang (CN)

Primary Examiner — Zenia I Bennett

(73) Assignee: **NINGHAI ARK COMMODITY CO., LTD.**, Ningbo (CN)

(74) *Attorney, Agent, or Firm* — Wayne IP LLC

(**) Term: **15 Years**

(57) **CLAIM**

The ornamental design for a roller-type back emulsion applicator, as shown and described.

(21) Appl. No.: **29/783,523**

DESCRIPTION

(22) Filed: **May 13, 2021**

(51) **LOC (13) Cl.** **28-03**

FIG. 1 is a perspective view of a roller-type back emulsion applicator showing our new design;

(52) **U.S. Cl.**
USPC **D28/7**

FIG. 2 is another perspective view thereof;

(58) **Field of Classification Search**
USPC D28/7, 99; D32/40, 45
CPC A45D 2200/1009; A45D 2200/1081
See application file for complete search history.

FIG. 3 is a front view thereof;

FIG. 4 is a back view thereof;

FIG. 5 is a left view thereof;

FIG. 6 is a right view thereof;

FIG. 7 is an enlarged top view thereof; and,

FIG. 8 is an enlarged bottom view thereof.

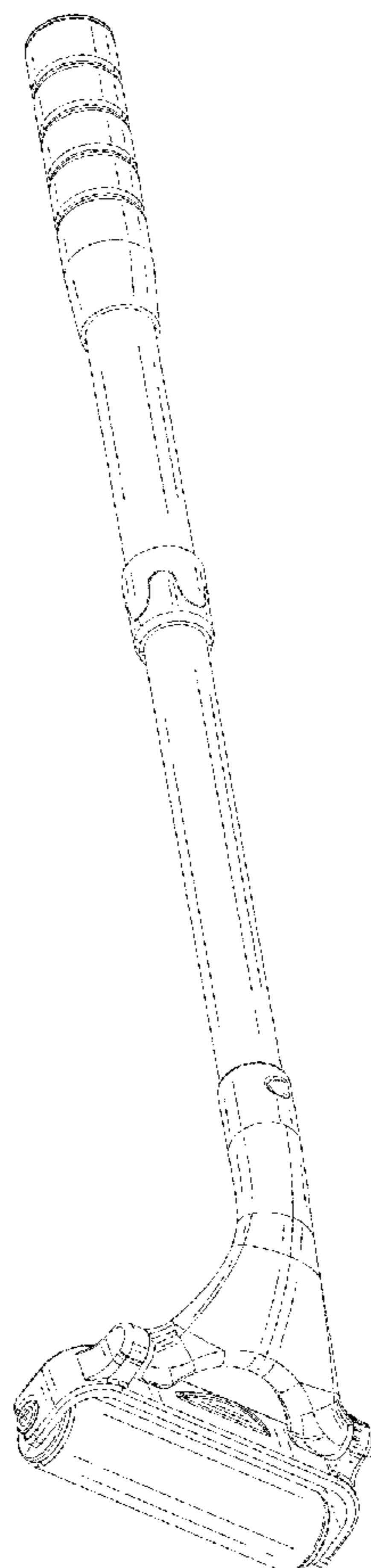
The broken lines shown on the drawings depict portions of the roller-type back emulsion applicator that form no part of the claimed design.

(56) **References Cited**

U.S. PATENT DOCUMENTS

D308,734 S * 6/1990 Markovich D28/7
D333,191 S * 2/1993 Rainen D28/7

1 Claim, 8 Drawing Sheets



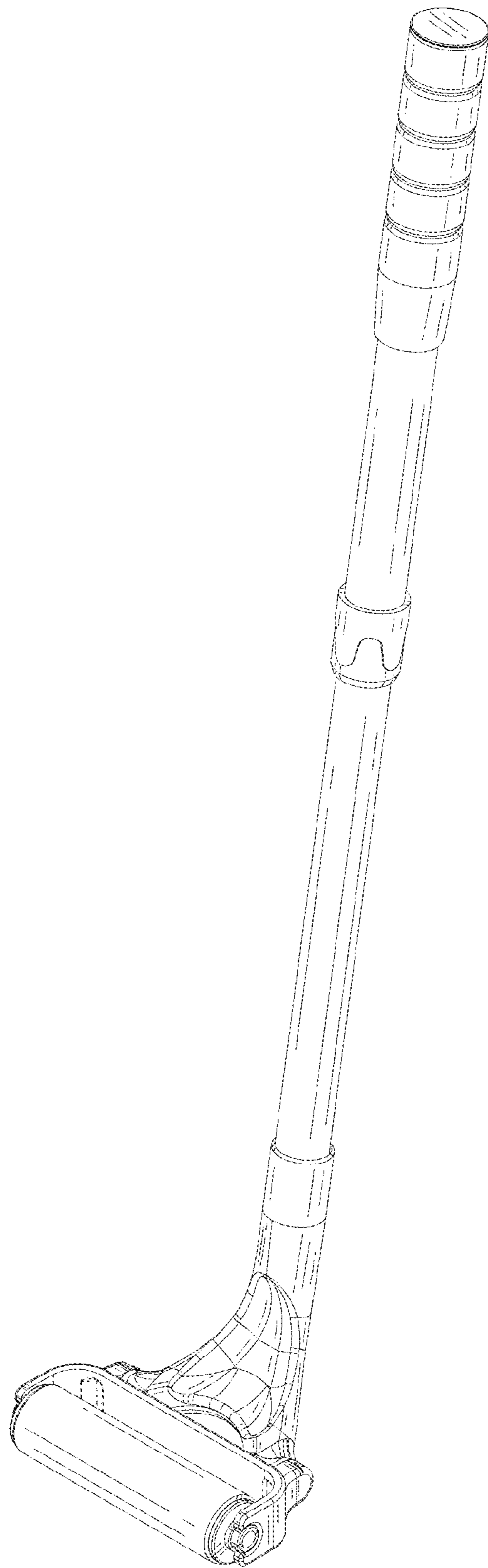


FIG. 1

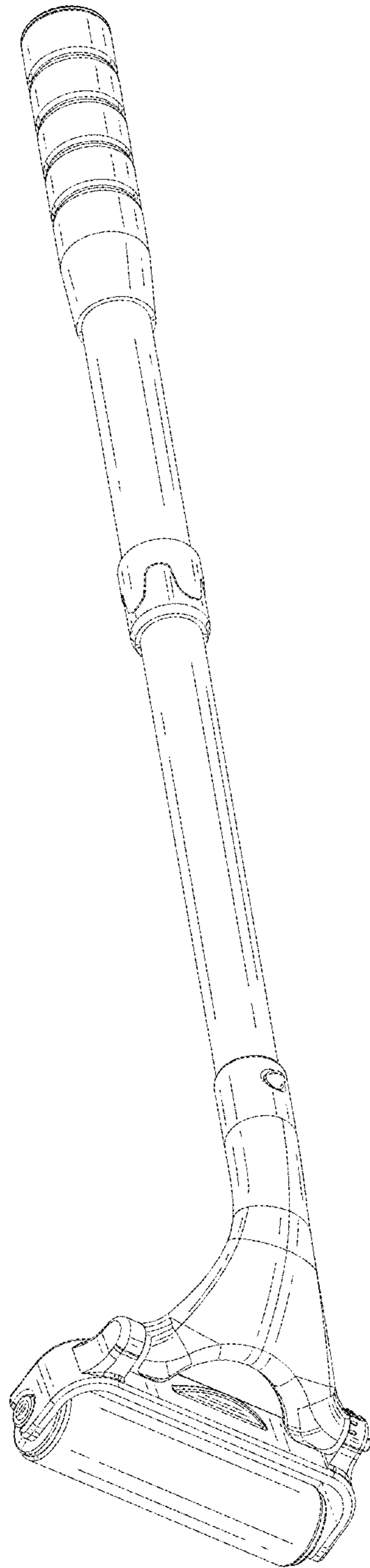


FIG. 2

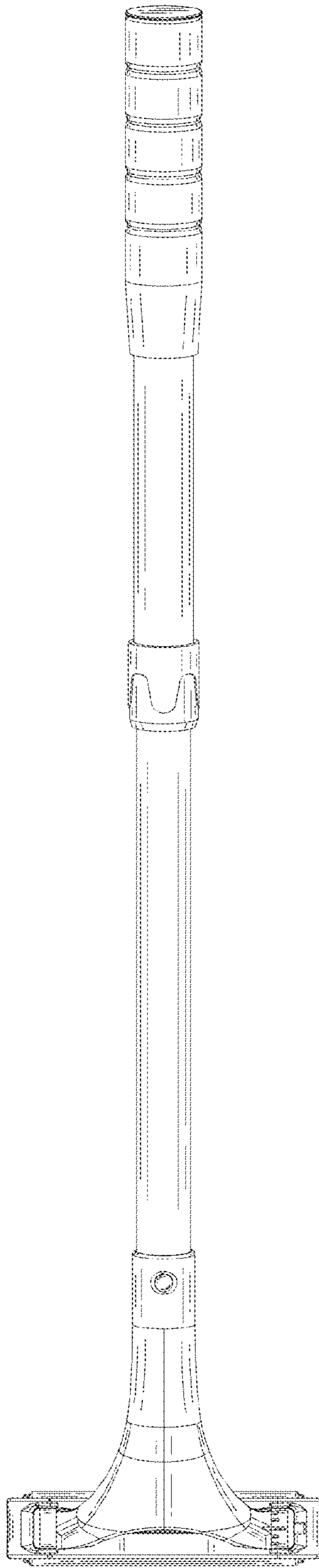


FIG. 3

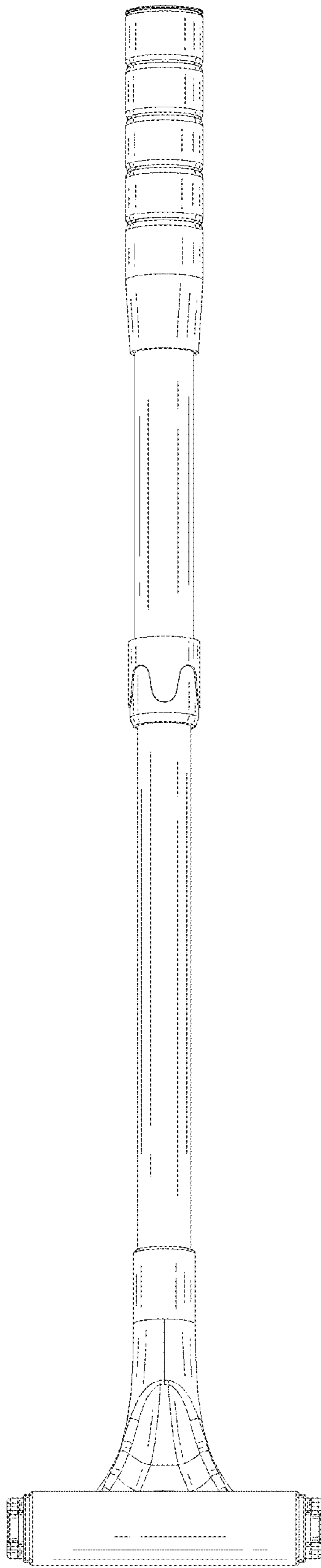


FIG. 4

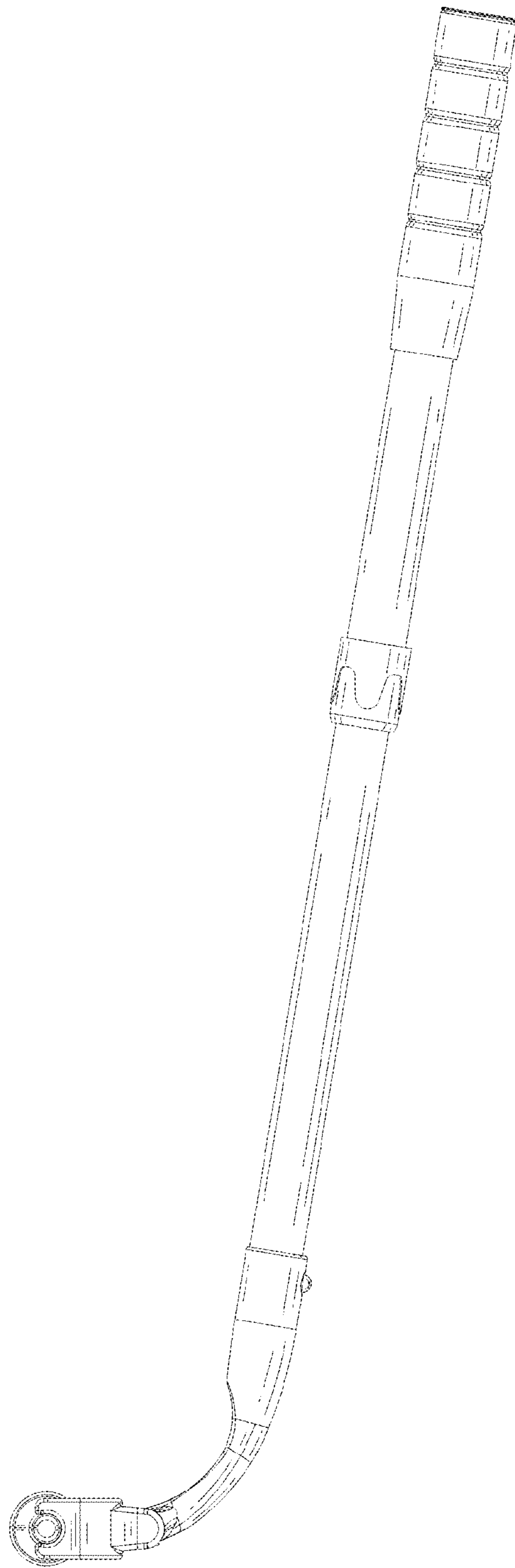


FIG. 5

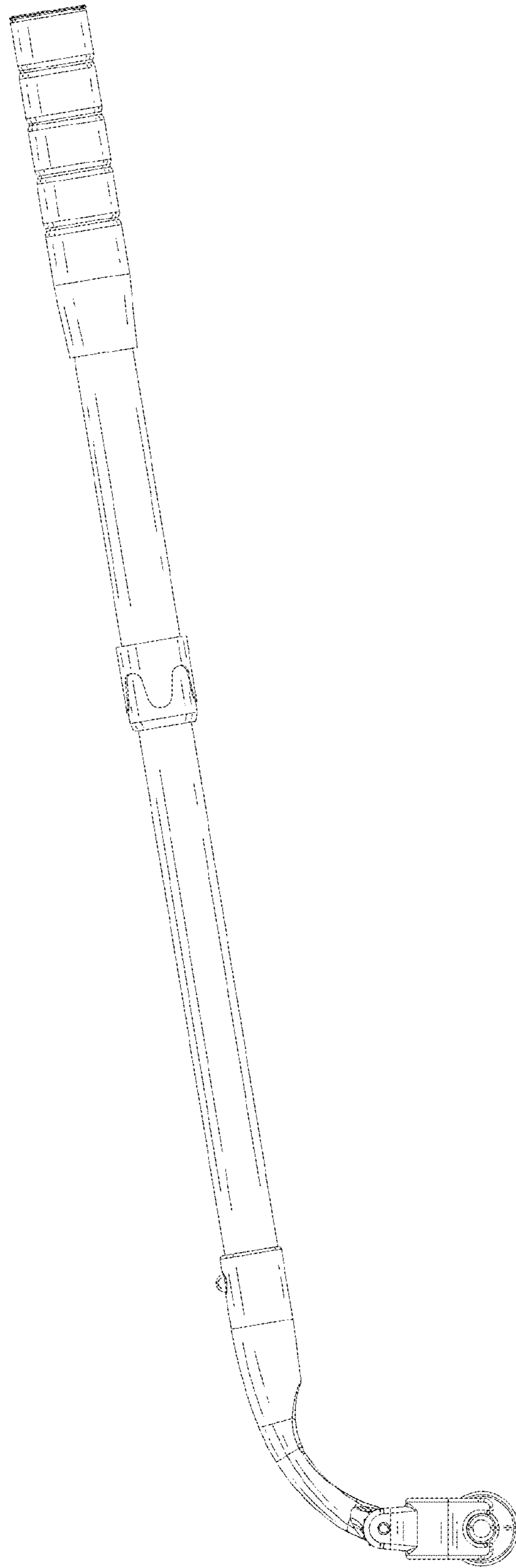


FIG. 6

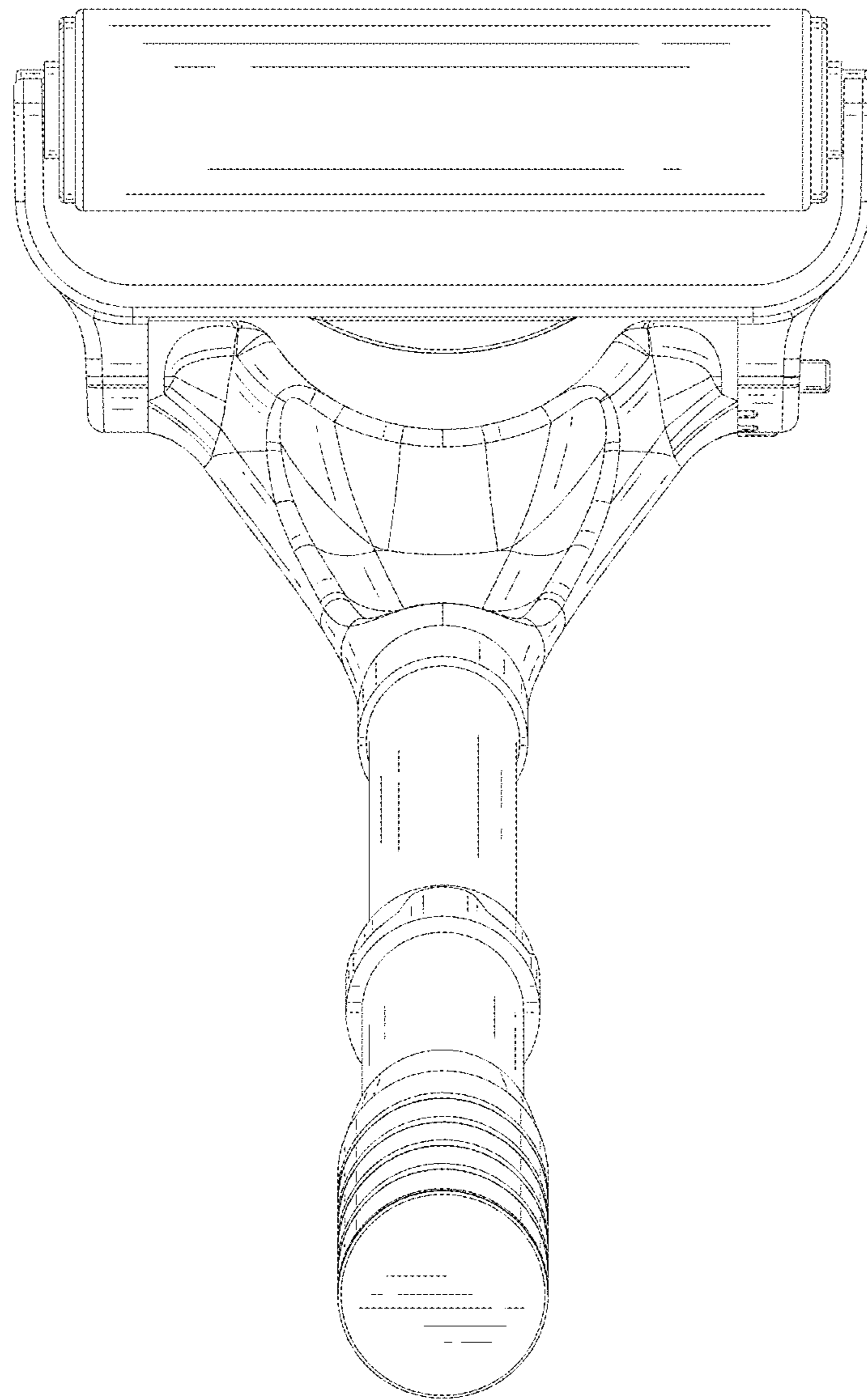


FIG. 7

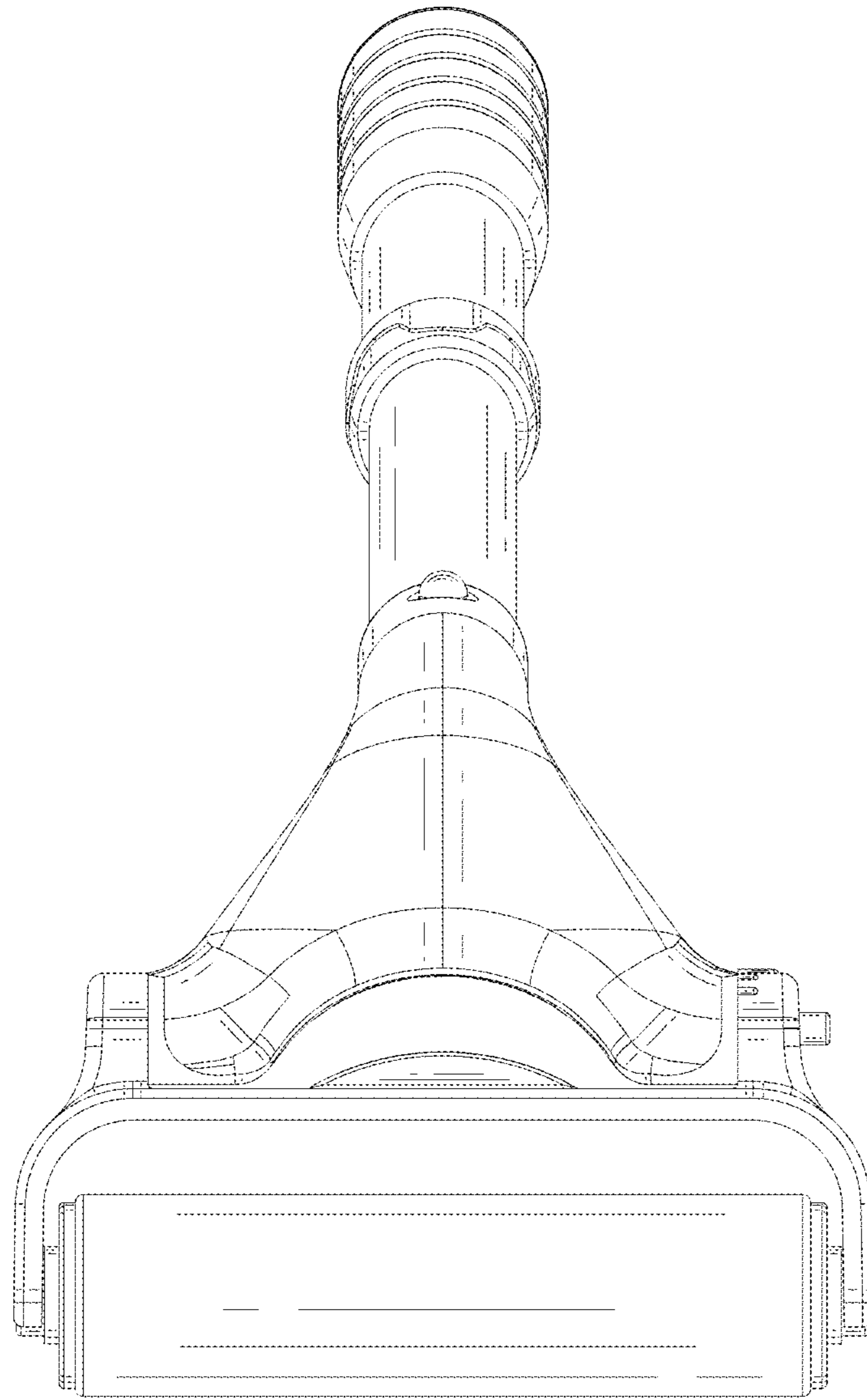


FIG. 8