



US00D971494S

(12) **United States Design Patent** (10) **Patent No.:** **US D971,494 S**
Liu (45) **Date of Patent:** **** Nov. 29, 2022**

(54) **ELECTRONIC HOOKAH**
(71) Applicant: **Shenzhen Eigate Technology Co., Ltd.**, Shenzhen (CN)
(72) Inventor: **Tuanfang Liu**, Shenzhen (CN)
(73) Assignee: **SHENZHEN EIGATE TECHNOLOGY CO., LTD.**, Shenzhen (CN)

D901,761 S * 11/2020 Zhu D27/162
D912,890 S * 3/2021 Liu D27/162
D919,880 S * 5/2021 Chen D27/162
D921,971 S * 6/2021 Wang D27/162
D927,056 S * 8/2021 Zeng D27/162
D928,399 S * 8/2021 Chen D27/162
D929,035 S * 8/2021 Liu D27/162
D929,652 S * 8/2021 He D27/162
D945,002 S * 3/2022 Zhou D24/214
D949,300 S * 4/2022 Liu D23/314
2012/0325227 A1* 12/2012 Robinson A61M 16/108
131/328
2015/0128967 A1* 5/2015 Robinson A24F 40/50
131/328

(**) Term: **15 Years**

(21) Appl. No.: **29/773,466**

* cited by examiner

(22) Filed: **Mar. 9, 2021**

Primary Examiner — Rebecca Tsehaye
(74) *Attorney, Agent, or Firm* — Matthias Scholl P.C.;
Matthias Scholl

(30) **Foreign Application Priority Data**

Oct. 25, 2020 (CN) 202030636631.9

(51) **LOC (13) Cl.** **27-02**

(52) **U.S. Cl.**
USPC **D27/162**

(58) **Field of Classification Search**
USPC D27/100, 103, 162–165, 167, 169, 172,
D27/180, 183, 194; D23/360, 366
CPC A24F 1/30; A24F 1/02; A24F 1/00; A24F
47/008; A24F 47/002; A61M 11/00
See application file for complete search history.

(56) **References Cited**

U.S. PATENT DOCUMENTS

D479,712 S * 9/2003 Ng D14/203.3
D514,560 S * 2/2006 Brown D14/480.5
D656,230 S * 3/2012 Robinson D23/363
D664,636 S * 7/2012 Robinson D23/360
D705,918 S * 5/2014 Robinson D23/360
D742,492 S * 11/2015 Robinson D23/360
D800,380 S * 10/2017 Williams D27/163

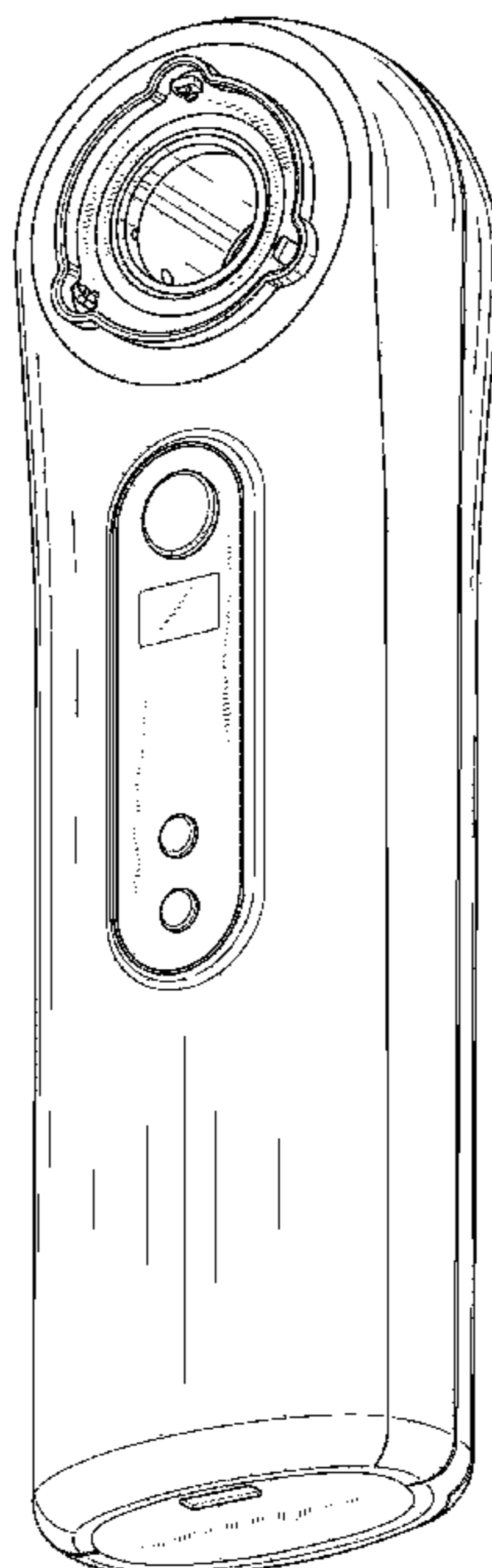
(57) **CLAIM**

The ornamental design for an electronic hookah, as shown and described.

DESCRIPTION

FIG. 1 is a front elevation view of an electronic hookah, showing my new design;
FIG. 2 is a rear elevation view thereof;
FIG. 3 is a left-side elevation view thereof;
FIG. 4 is a right-side elevation view thereof;
FIG. 5 is a top plan view thereof;
FIG. 6 is a bottom plan view thereof;
FIG. 7 is a front, bottom, right-side perspective view thereof; and,
FIG. 8 is a rear, bottom, left-side perspective view thereof.
The broken lines in the drawings depict portions of the electronic hookah that form no part of the claimed design.

1 Claim, 8 Drawing Sheets



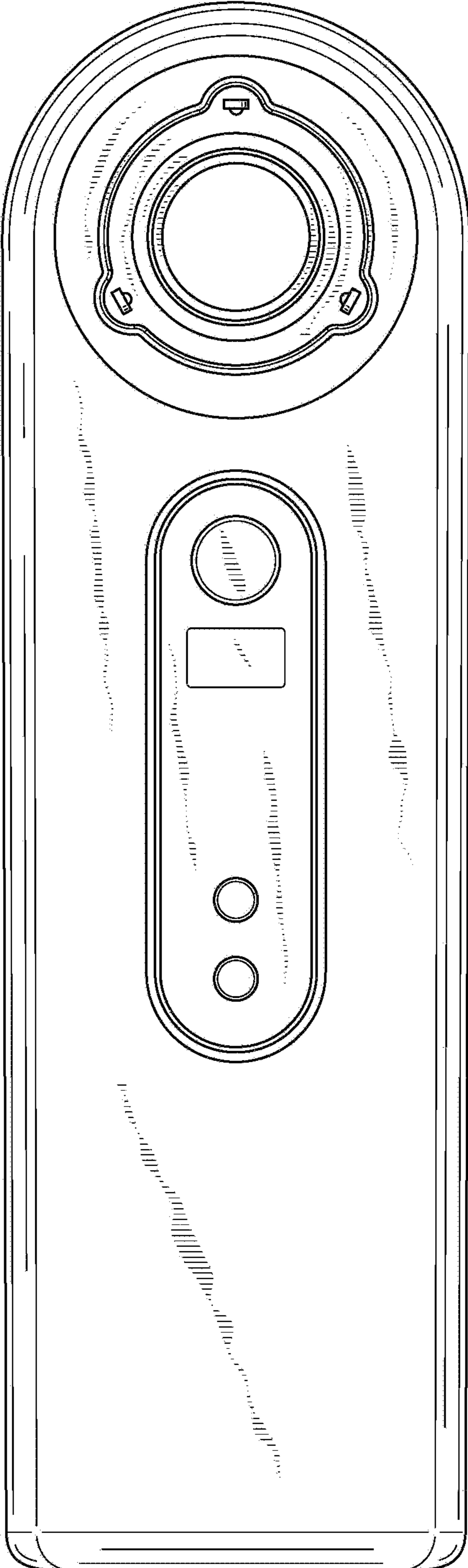


FIG. 1

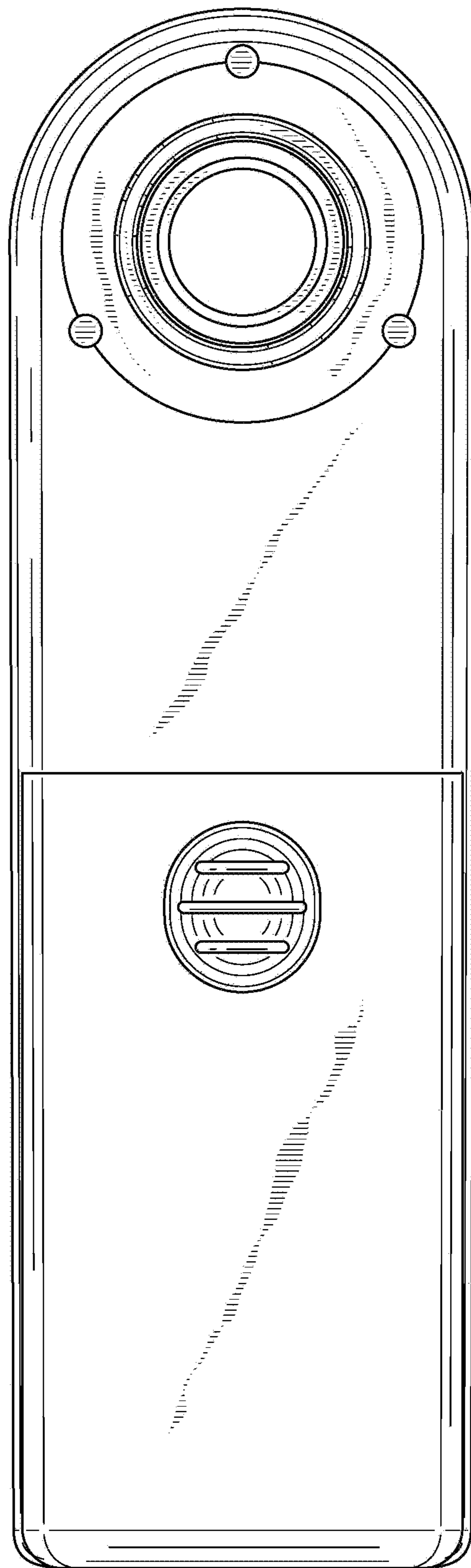


FIG. 2

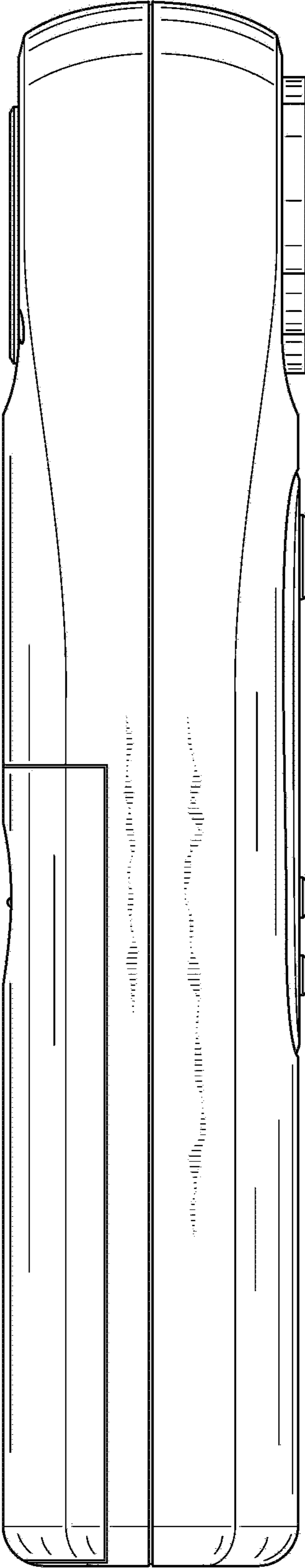


FIG. 3

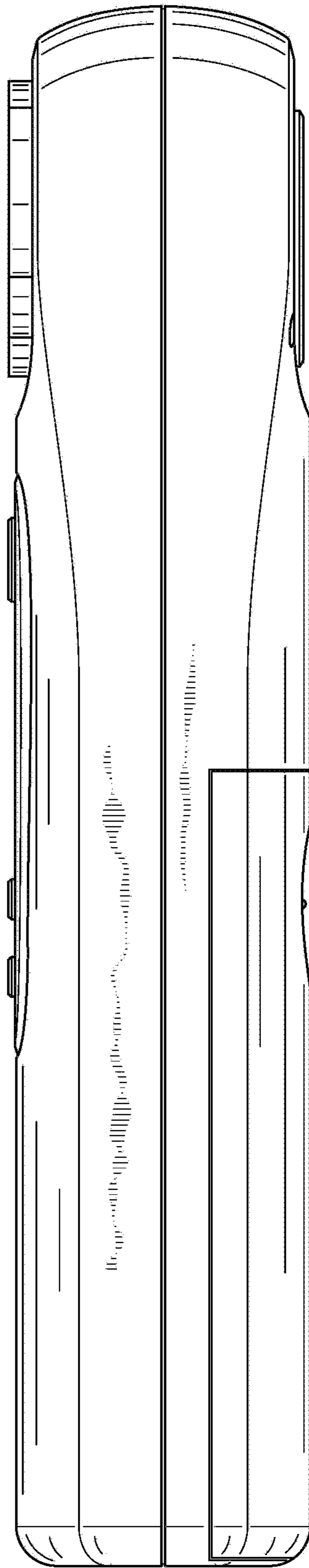


FIG. 4

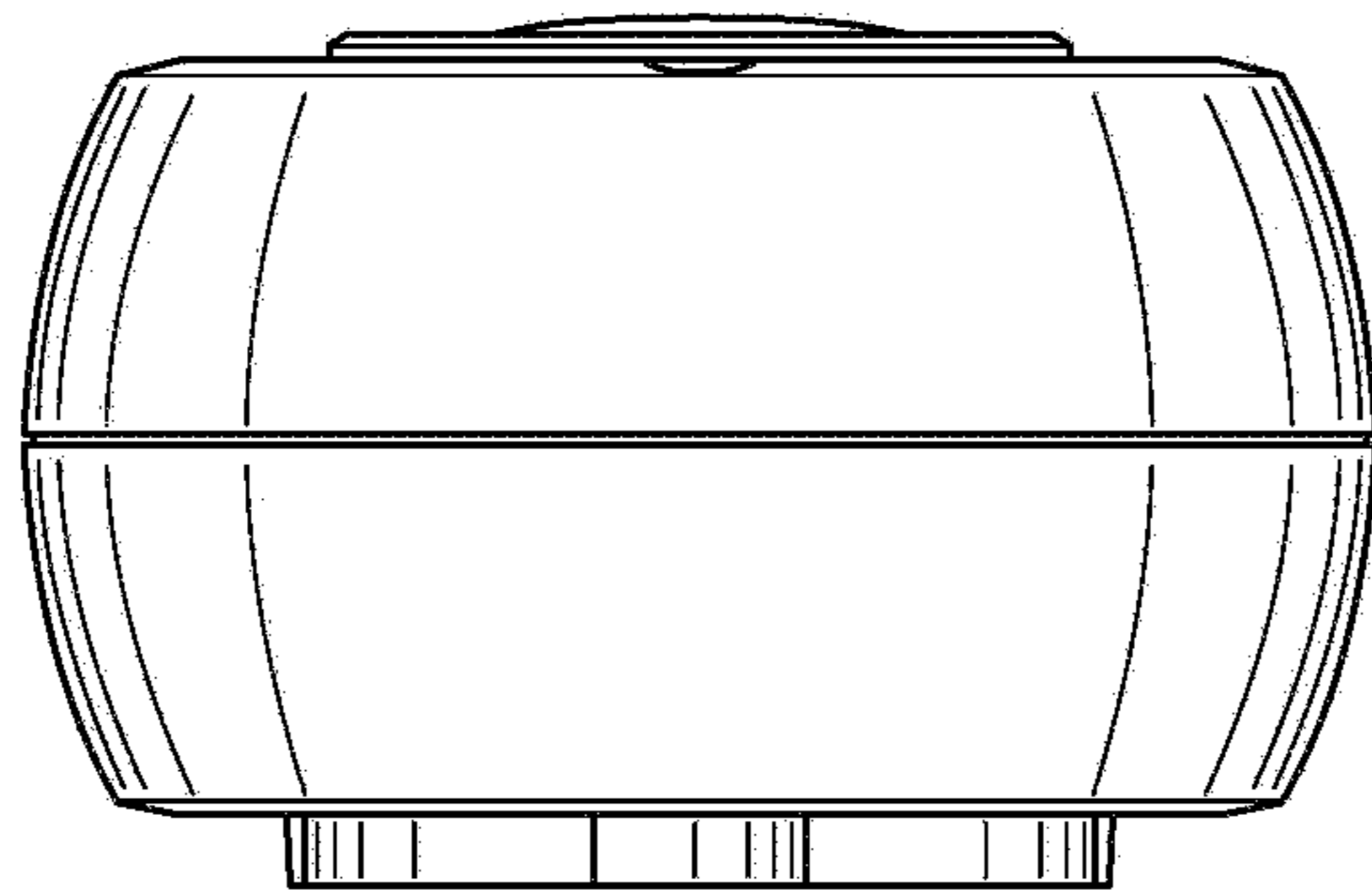


FIG. 5

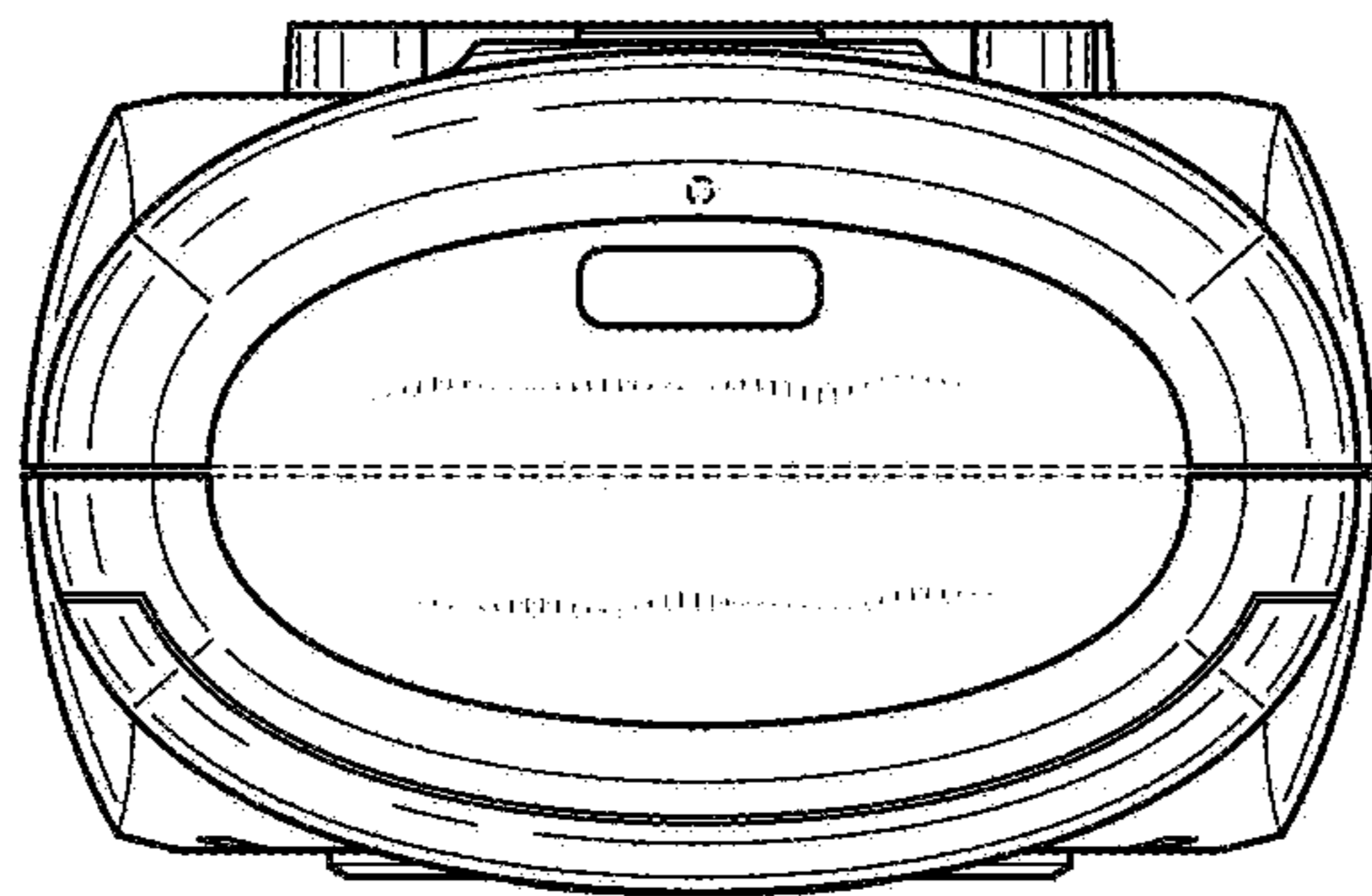


FIG. 6

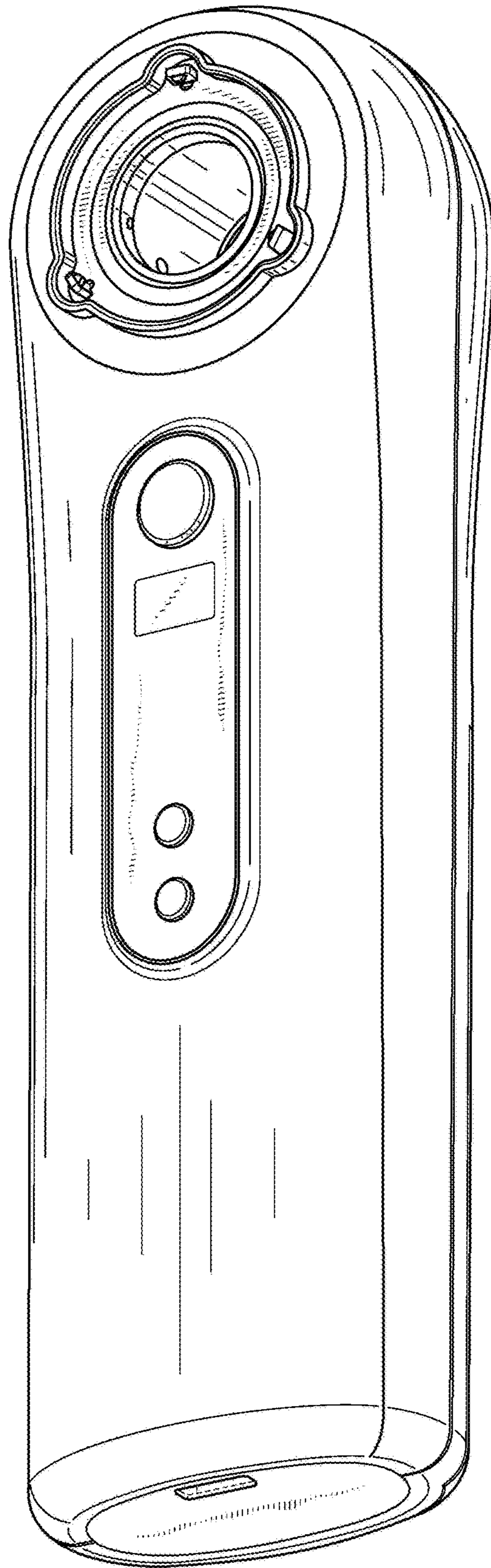


FIG. 7

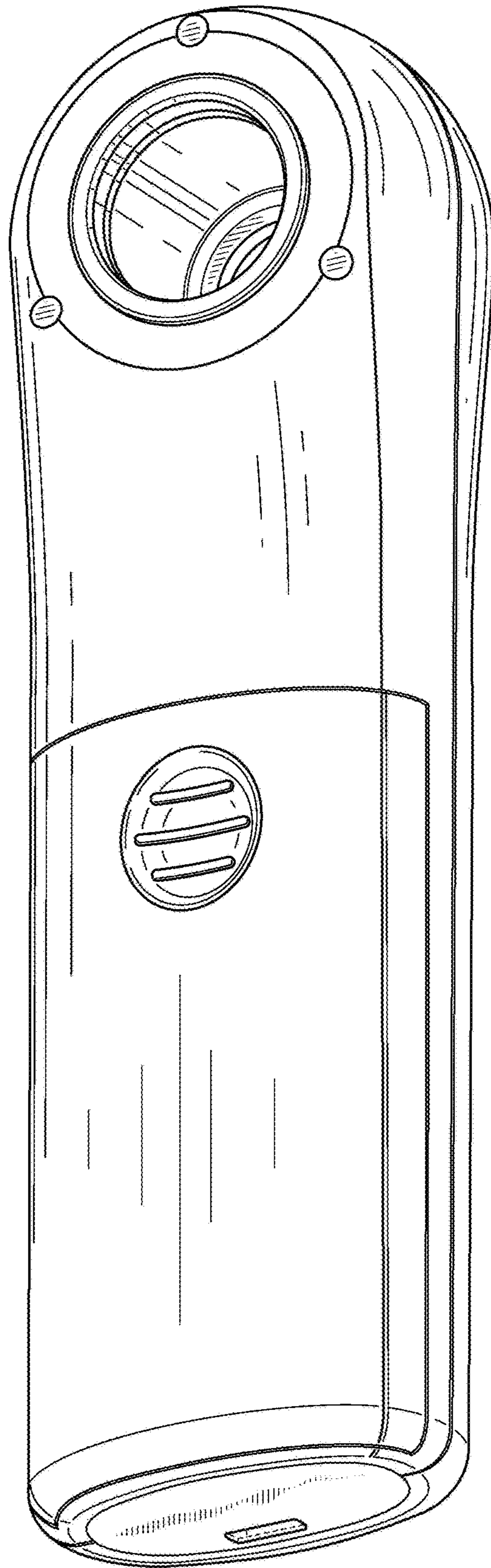


FIG. 8