



US00D971491S

(12) **United States Design Patent** (10) **Patent No.:** **US D971,491 S**
Liu (45) **Date of Patent:** **** Nov. 29, 2022**

(54) **LAMP**
(71) Applicant: **Tao Liu**, Tianjin (CN)
(72) Inventor: **Tao Liu**, Tianjin (CN)
(**) Term: **15 Years**
(21) Appl. No.: **29/820,909**

2,685,023 A * 7/1954 Saverio F21V 35/00
362/163
D184,290 S * 1/1959 Rettman D26/104
D199,583 S * 11/1964 Rogers, Jr. D26/11
D206,950 S * 2/1967 Colletti F21S 8/083
D26/96
D208,065 S * 7/1967 Colletti D26/68
D243,548 S * 3/1977 Shippee D26/10
4,930,055 A * 5/1990 Swadell F21S 8/083
362/244

(Continued)

(22) Filed: **Dec. 24, 2021**
(51) **LOC (13) Cl.** **26-05**
(52) **U.S. Cl.**
USPC **D26/112; D26/11; D26/110**
(58) **Field of Classification Search**
USPC D26/1, 6, 7, 9-12, 16, 22, 67, 93, 94,
D26/104, 106, 108, 110, 112
CPC F21L 2/00; F21L 4/00; F21L 14/00; F21L
19/00; F21S 6/00; F21S 6/001; F21S
6/002; F21S 9/00; F21S 9/02; F21S 9/03;
F21S 9/037; F21V 3/00; F21V 21/0824;
F21V 35/00; F21V 37/00; F21W
2131/109
See application file for complete search history.

OTHER PUBLICATIONS

Will and Baumer Red Cemetery Light with Gold Plastic Dome, Jun. 11, 2014, Amazon.ca, site visited Sep. 14, 2022, url: <https://www.amazon.ca/dp/B0043GRFG4> (Year: 2014).*

(Continued)

Primary Examiner — T Chase Nelson
Assistant Examiner — Rachel Wolfe
(74) *Attorney, Agent, or Firm* — ScienBiziP, P.C.

(57) **CLAIM**

The ornamental design for a lamp, as shown and described.

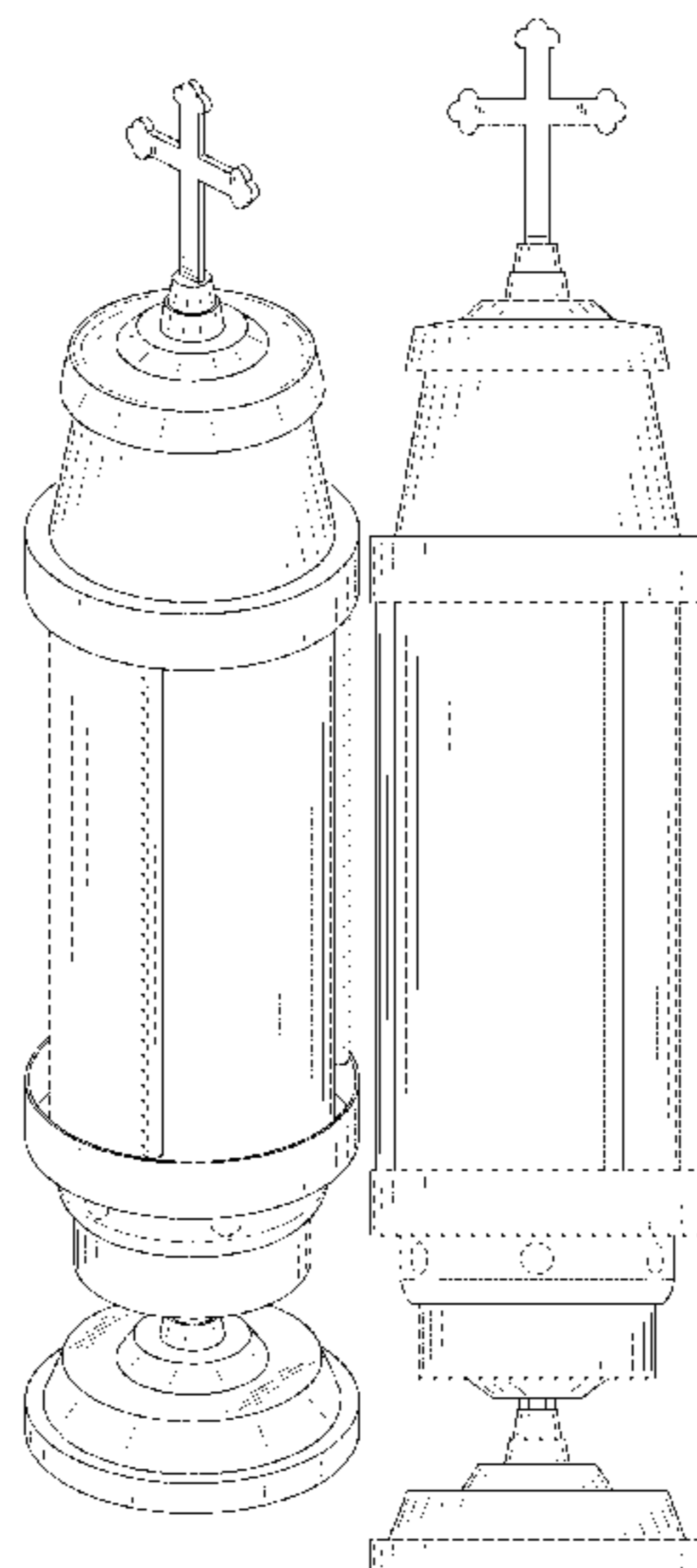
(56) **References Cited**
U.S. PATENT DOCUMENTS

1,578,087 A * 3/1926 Norton F21V 35/00
431/290
1,975,496 A * 10/1934 Barrett, Jr. F21V 35/00
431/291
D100,876 S * 8/1936 Muench D26/11
2,050,151 A * 8/1936 Baumer F21V 37/0095
431/291
2,060,324 A * 11/1936 Knapp F21V 37/0095
431/291
D117,084 S * 10/1939 White D26/67
2,214,991 A * 9/1940 Candy, Jr. F21V 37/0095
431/291
D132,214 S * 4/1942 Swanson F21S 9/02
D26/104
2,439,467 A * 4/1948 Guilfoil, Jr. F21V 37/0095
431/291

DESCRIPTION

FIG. 1 is a front, right and top perspective view of a lamp, showing my design.
FIG. 2 is a rear, left and bottom perspective view thereof.
FIG. 3 is a front elevation view thereof.
FIG. 4 is a rear elevation view thereof.
FIG. 5 is a left side elevation view thereof.
FIG. 6 is a right side elevation view thereof.
FIG. 7 is a top plan view thereof; and,
FIG. 8 is a bottom plan view thereof.
The broken lines shown in the drawings are included for the purpose of illustrating portions of the lamp that form no part of the claimed design.

1 Claim, 8 Drawing Sheets



(56)

References Cited

U.S. PATENT DOCUMENTS

5,055,035 A * 10/1991 Hancovsky F21V 35/00
362/180
D343,243 S * 1/1994 Ewing D26/67
5,980,064 A * 11/1999 Metroyanis F21S 9/02
362/800
D437,965 S * 2/2001 Diviak, Sr. F21V 35/00
D26/104
D447,589 S * 9/2001 Dolan D26/67
6,364,503 B1 * 4/2002 Wenzel F21V 33/00
362/186
D479,355 S * 9/2003 Dalton F21V 37/0095
D26/67
D488,576 S * 4/2004 Chen D26/67
D826,460 S 8/2018 Velez et al.
D939,132 S 12/2021 Velez
D963,901 S * 9/2022 Liu D26/11

OTHER PUBLICATIONS

OURMEMO Cemetery Light, Dec. 18, 2019, Amazon.com, site
visited Sep. 15, 2022, url: [https://www.amazon.com/dp/
B082W1VBHY](https://www.amazon.com/dp/B082W1VBHY) (Year: 2019).*

* cited by examiner

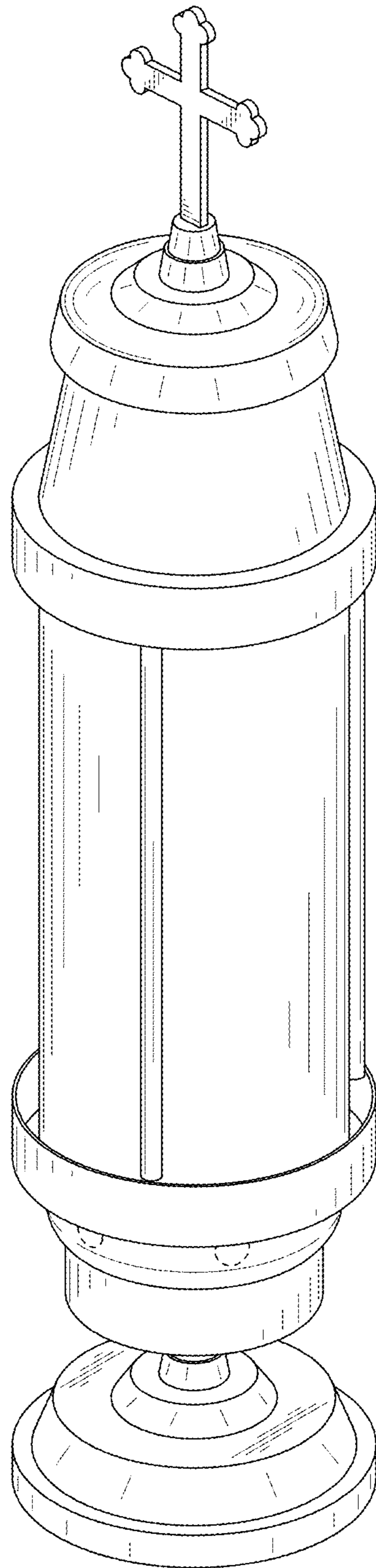


FIG. 1

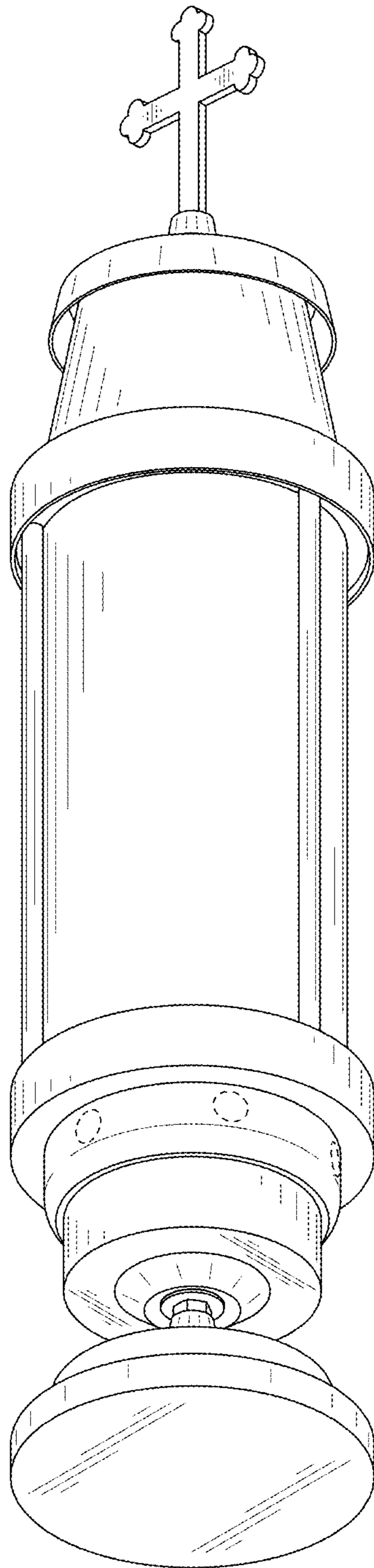


FIG. 2

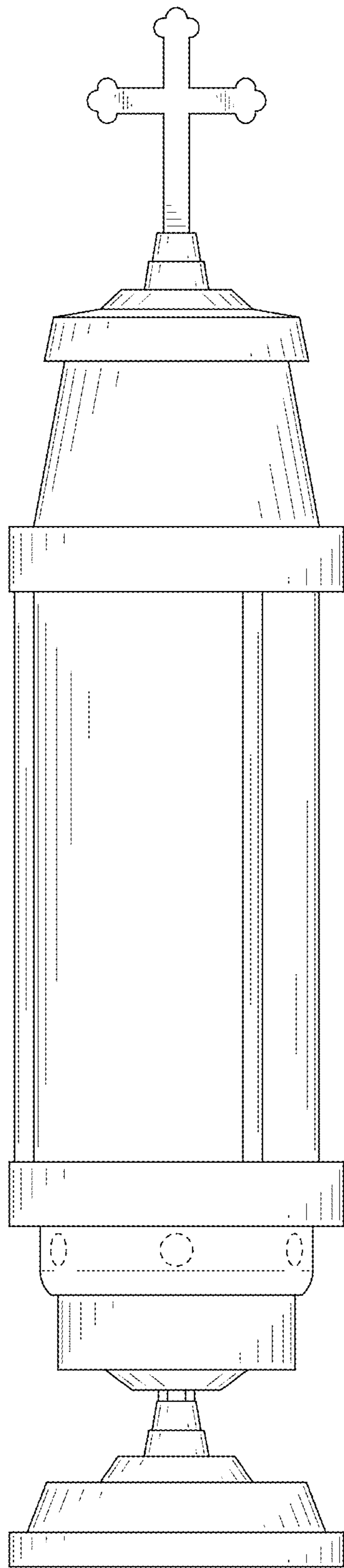


FIG. 3

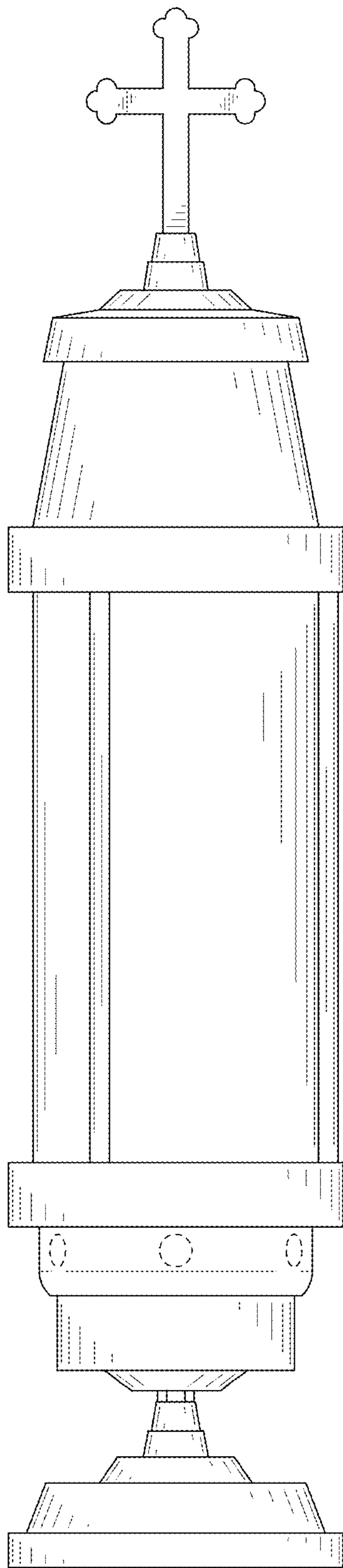


FIG. 4

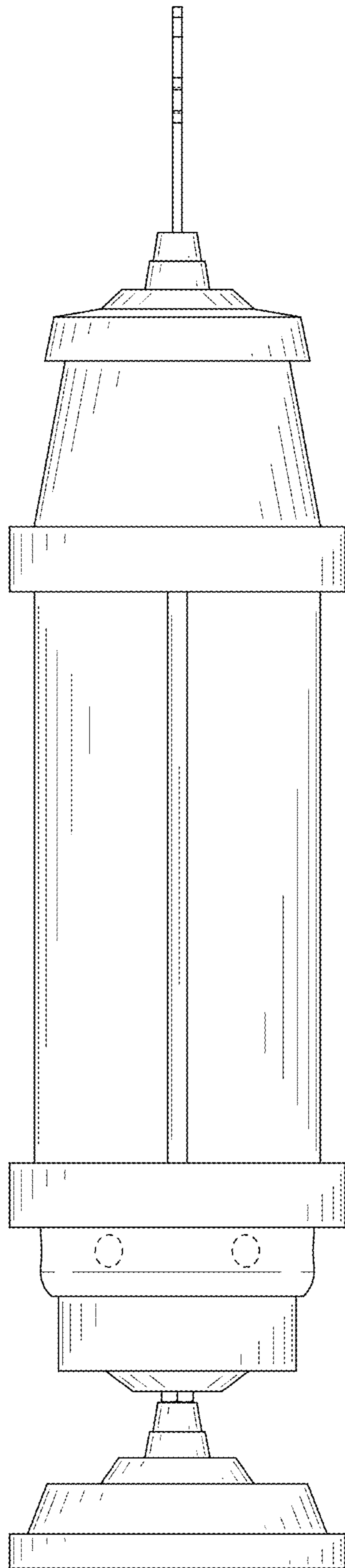


FIG. 5

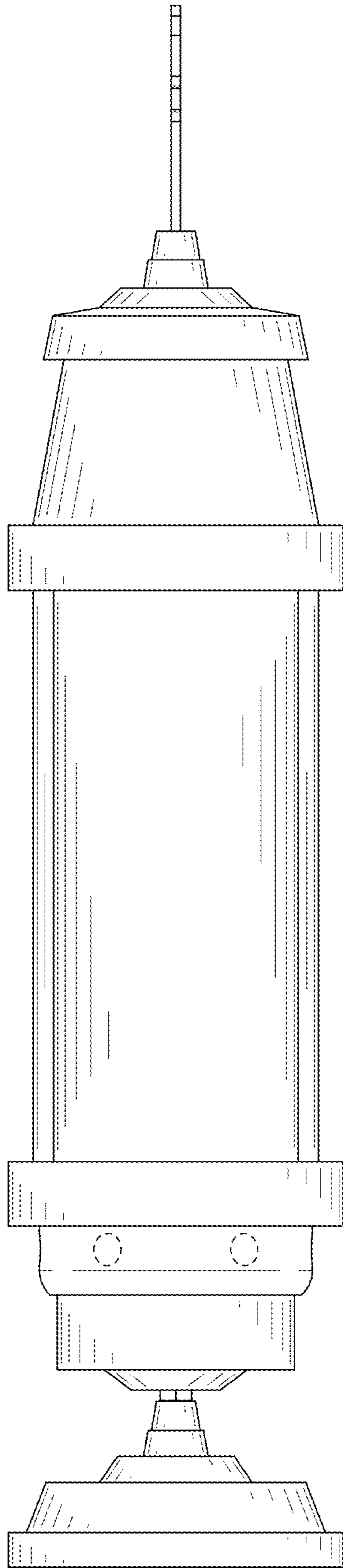


FIG. 6

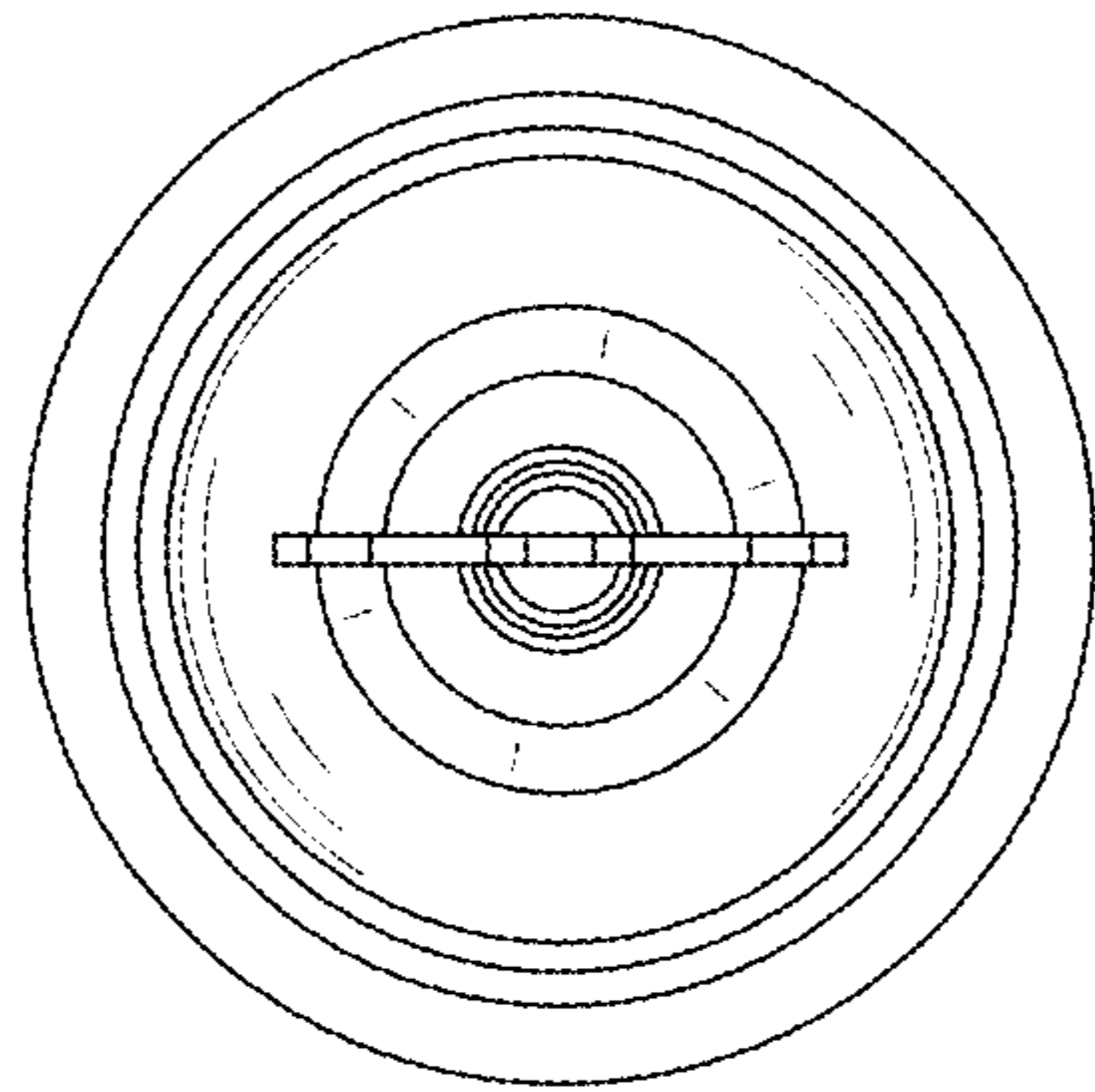


FIG. 7

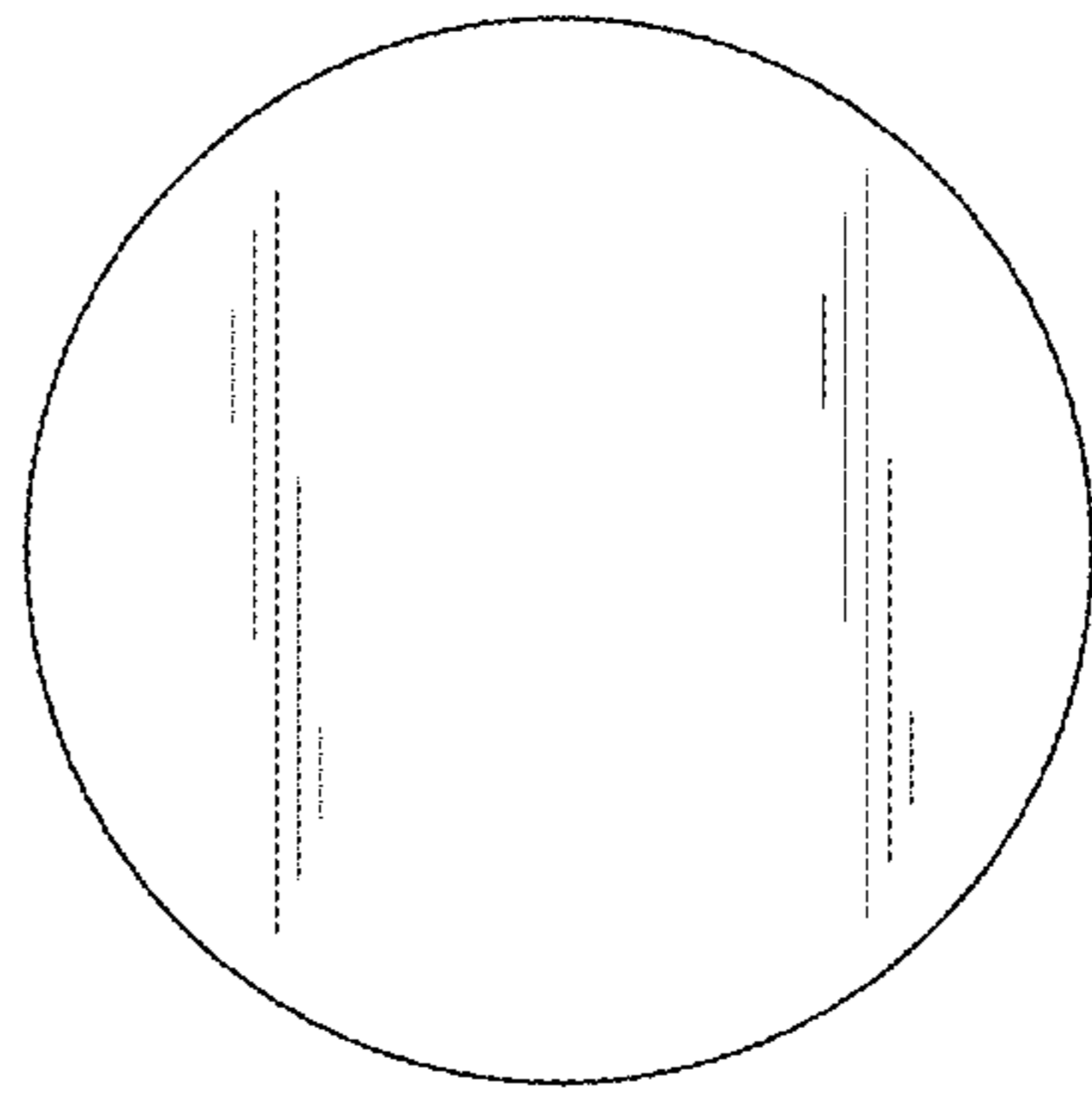


FIG. 8