



US00D971490S

(12) **United States Design Patent** (10) **Patent No.:** **US D971,490 S**
Liu (45) **Date of Patent:** **** Nov. 29, 2022**

(54) **SOLAR LAMP**

(71) Applicant: **Tao Liu**, Tianjin (CN)

(72) Inventor: **Tao Liu**, Tianjin (CN)

(**) Term: **15 Years**

(21) Appl. No.: **29/820,908**

(22) Filed: **Dec. 24, 2021**

(51) **LOC (13) Cl.** **26-05**

(52) **U.S. Cl.**
USPC **D26/112; D26/11; D26/110**

(58) **Field of Classification Search**
USPC D26/1, 6, 7, 9-12, 16, 22, 67, 93, 94,
D26/104, 106, 108, 110, 112
CPC F21L 2/00; F21L 4/00; F21L 14/00; F21L
19/00; F21S 6/00; F21S 6/001; F21S
6/002; F21S 9/00; F21S 9/02; F21S 9/03;
F21S 9/037; F21V 3/00; F21V 21/0824;
F21V 35/00; F21V 37/00; F21W
2131/109

See application file for complete search history.

(56) **References Cited**

U.S. PATENT DOCUMENTS

- 1,578,087 A * 3/1926 Norton F21V 35/00
431/290
- D100,876 S * 8/1936 Muench D26/11
- 2,082,897 A * 6/1937 Muench F21V 37/0095
431/291
- 2,439,467 A * 4/1948 Guilfoil, Jr. F21V 37/0095
431/291
- 2,685,023 A * 7/1954 Valle F21V 35/00
362/163
- D184,290 S * 1/1959 Rettman D26/104
- D190,134 S * 4/1961 Barber D26/53
- D208,065 S * 7/1967 Colletti F21V 35/00
D26/68
- 4,930,055 A * 5/1990 Swadell F21S 8/083
362/244

- 5,055,035 A * 10/1991 Hancovsky F21V 35/00
362/180
- D346,873 S * 5/1994 Frost D26/67
- D388,197 S * 12/1997 Cardosi D26/9
- 5,980,064 A * 11/1999 Metroyanis F21S 9/02
362/800
- D437,965 S * 2/2001 Diviak, Sr. D26/104
- 6,364,503 B1 * 4/2002 Wenzel F21V 33/00
362/186
- D472,338 S * 3/2003 Barriger D26/67

(Continued)

OTHER PUBLICATIONS

Will and Baumer Red Cemetery Light with Gold Plastic Dome, Jun. 11, 2014, Amazon.ca, site visited Sep. 14, 2022, url: <https://www.amazon.ca/dp/B0043GRFG4> (Year: 2014).*

(Continued)

Primary Examiner — T Chase Nelson
Assistant Examiner — Rachel Wolfe
(74) *Attorney, Agent, or Firm* — ScienBiziP, P.C.

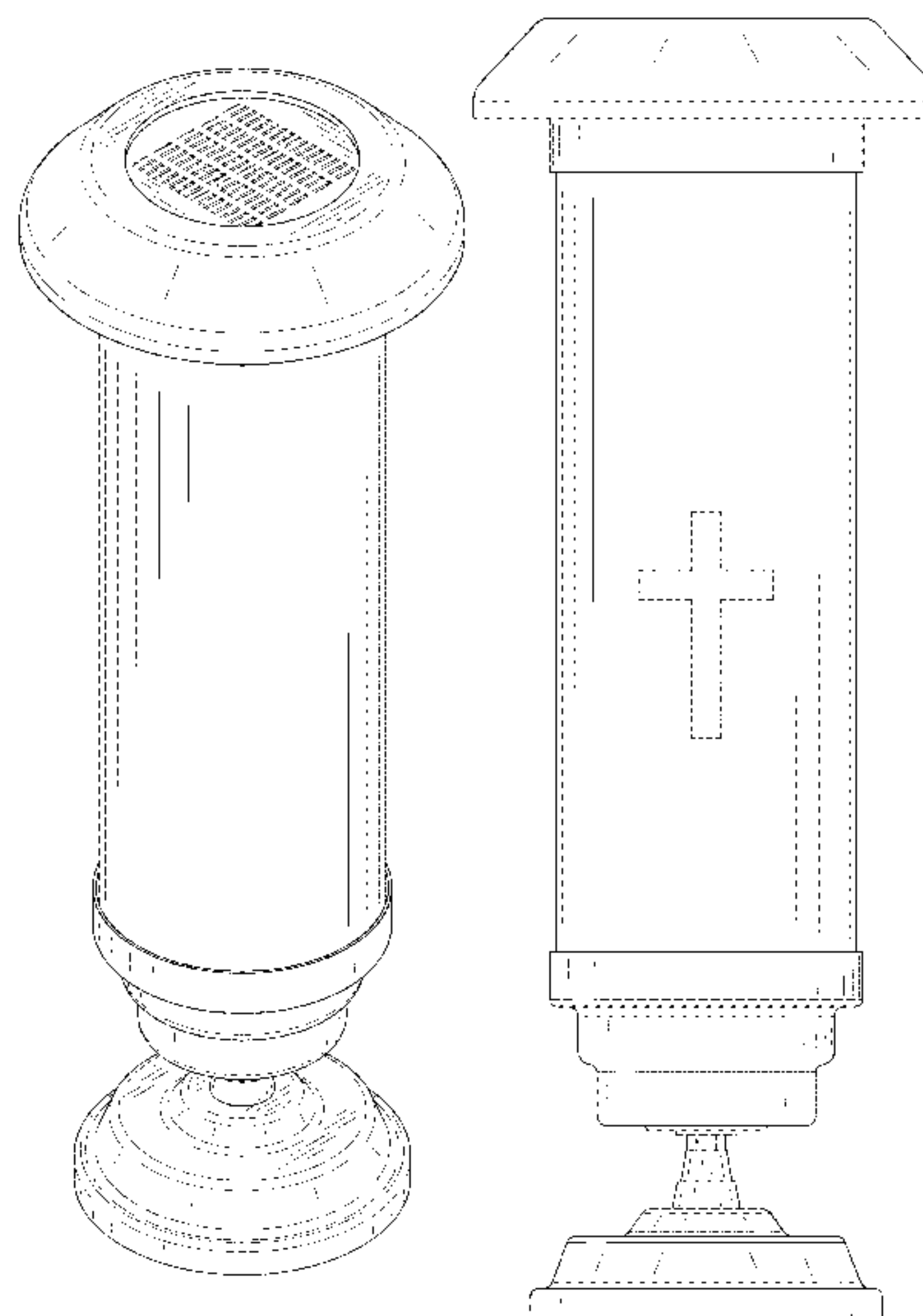
(57) **CLAIM**

The ornamental design for a solar lamp, as shown and described.

DESCRIPTION

FIG. 1 is a front, right and top perspective view of a solar lamp, showing my design.
FIG. 2 is a rear, left and bottom perspective view thereof.
FIG. 3 is a front elevation view thereof.
FIG. 4 is a rear elevation view thereof.
FIG. 5 is a left side elevation view thereof.
FIG. 6 is a right side elevation view thereof.
FIG. 7 is a top plan view thereof; and,
FIG. 8 is a bottom plan view thereof.
The broken lines shown in the drawings are included for the purpose of illustrating portions of the solar lamp that form no part of the claimed design.

1 Claim, 8 Drawing Sheets



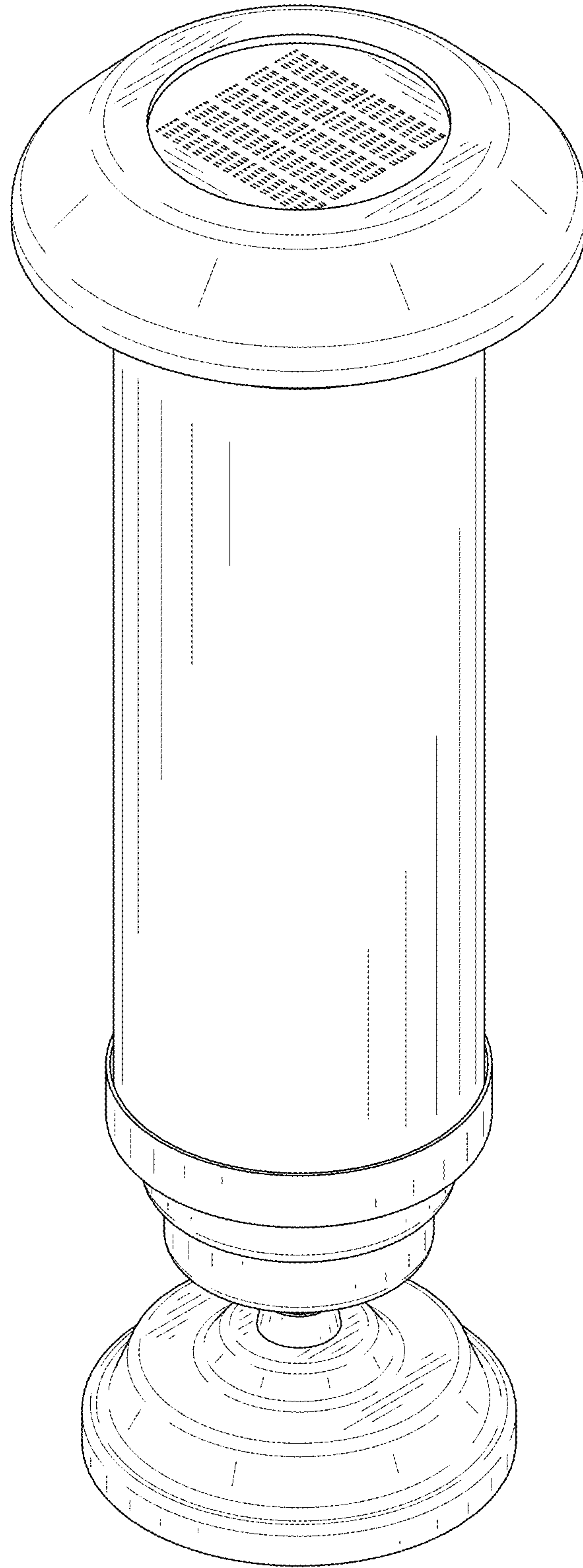


FIG. 1

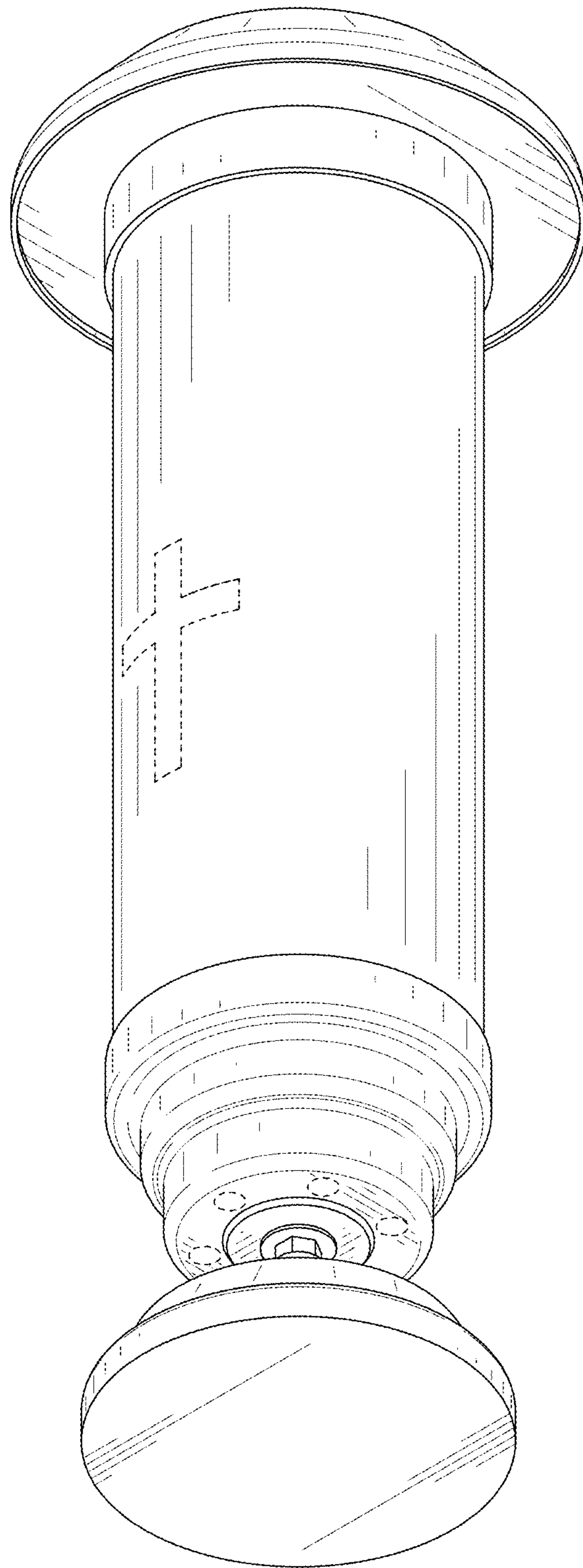


FIG. 2

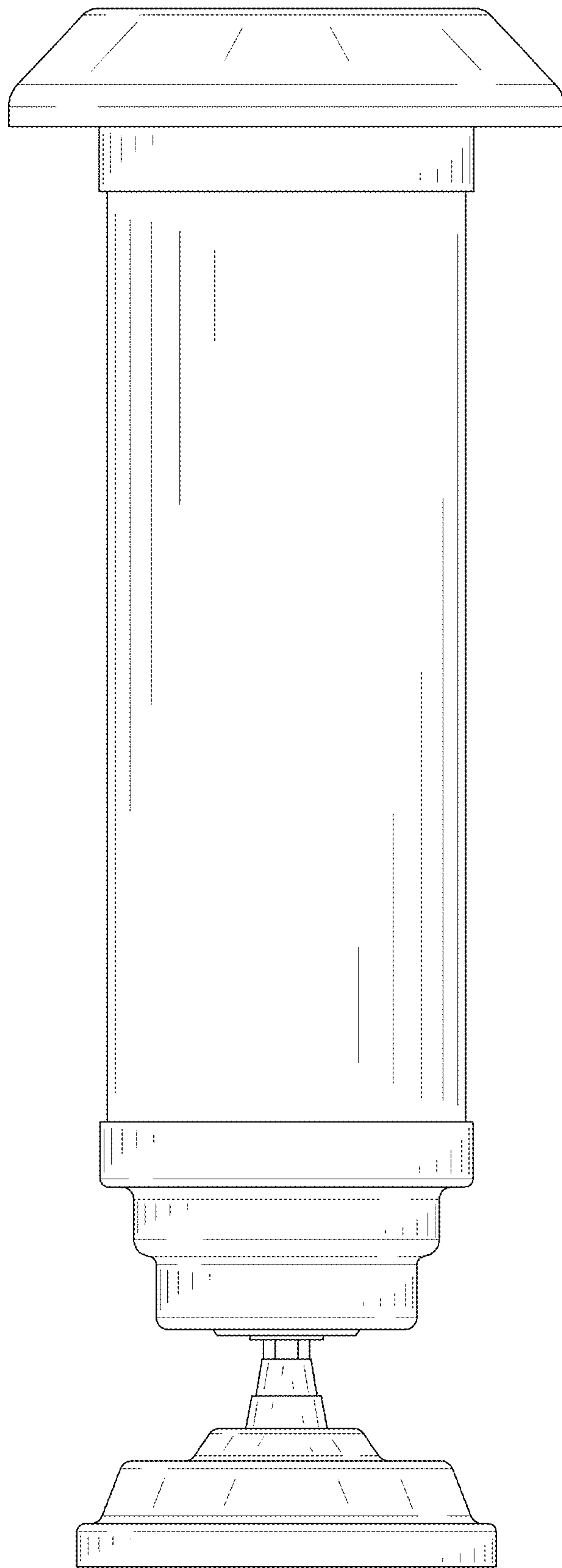


FIG. 3

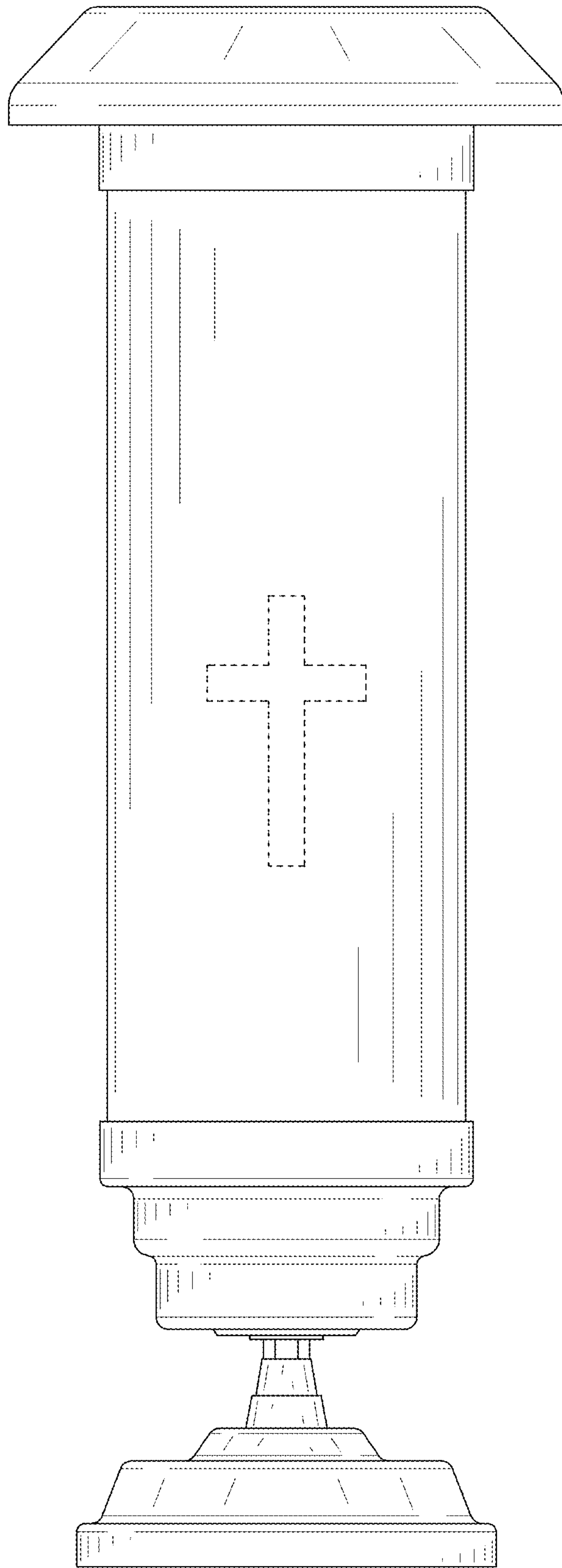


FIG. 4

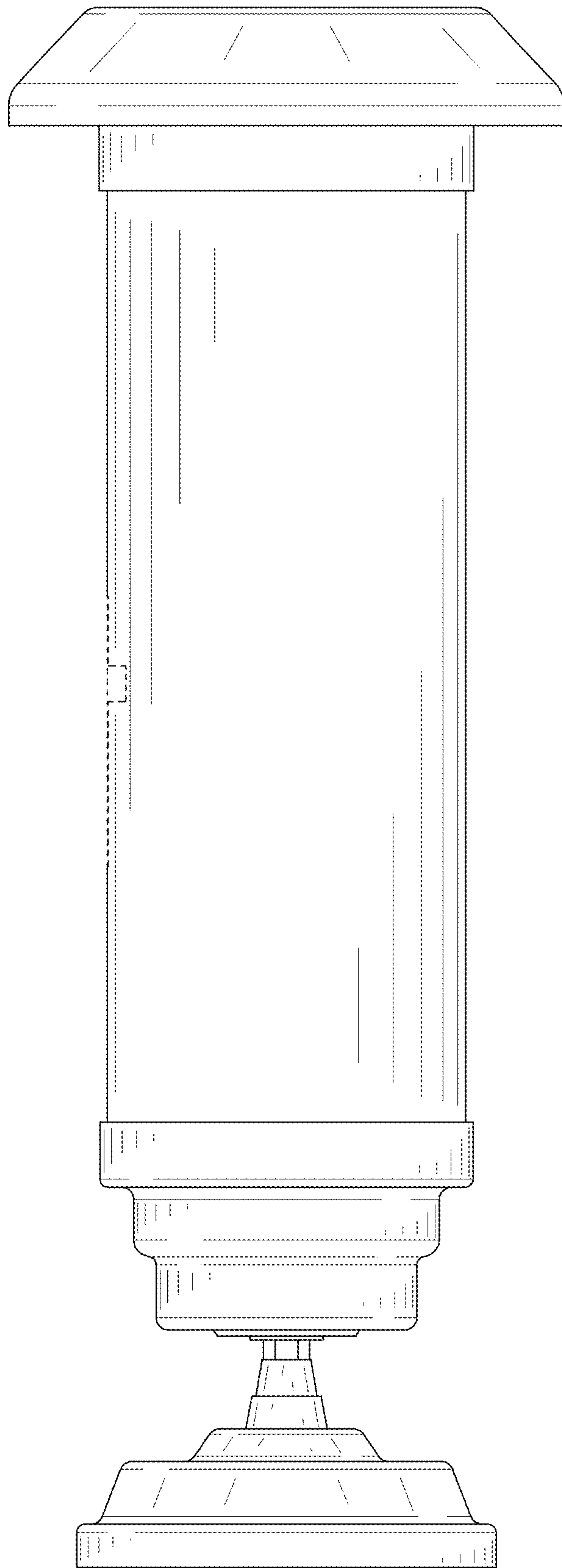


FIG. 5

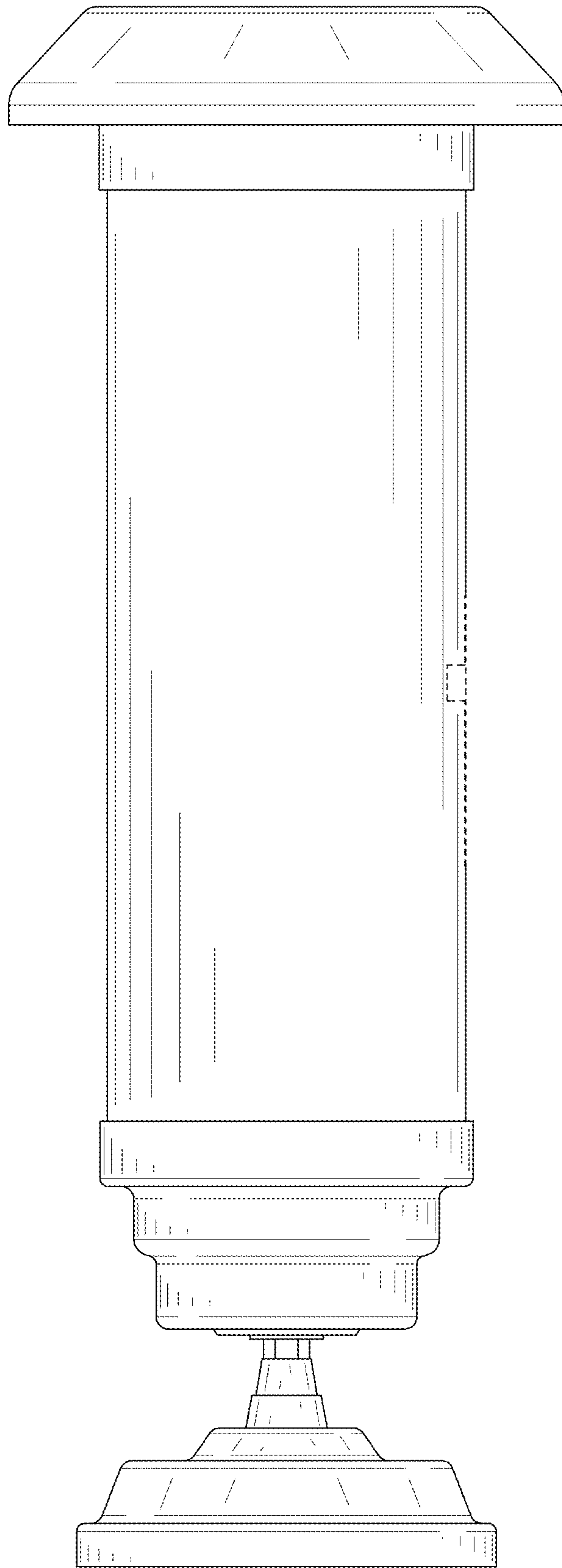


FIG. 6

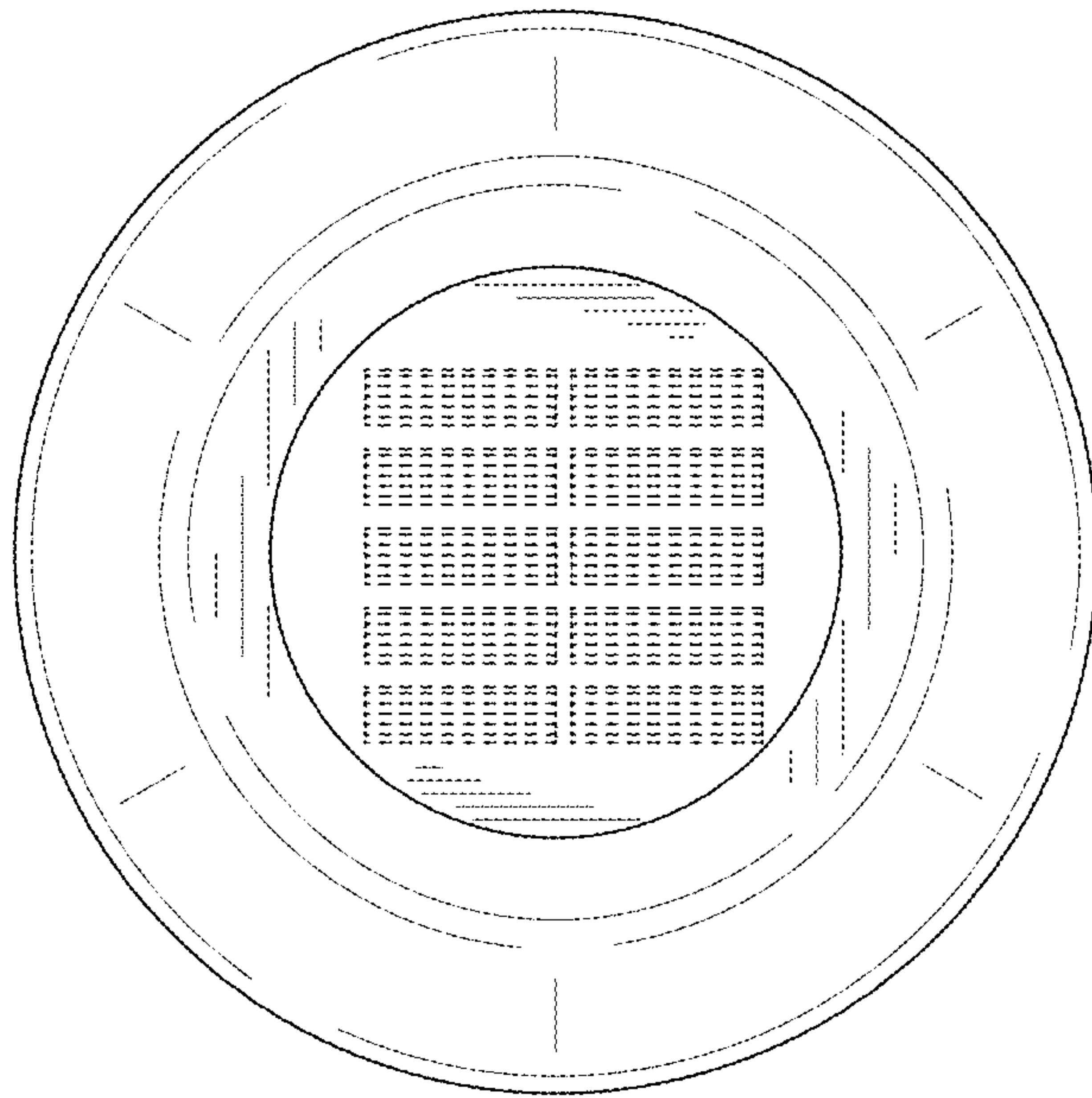


FIG. 7

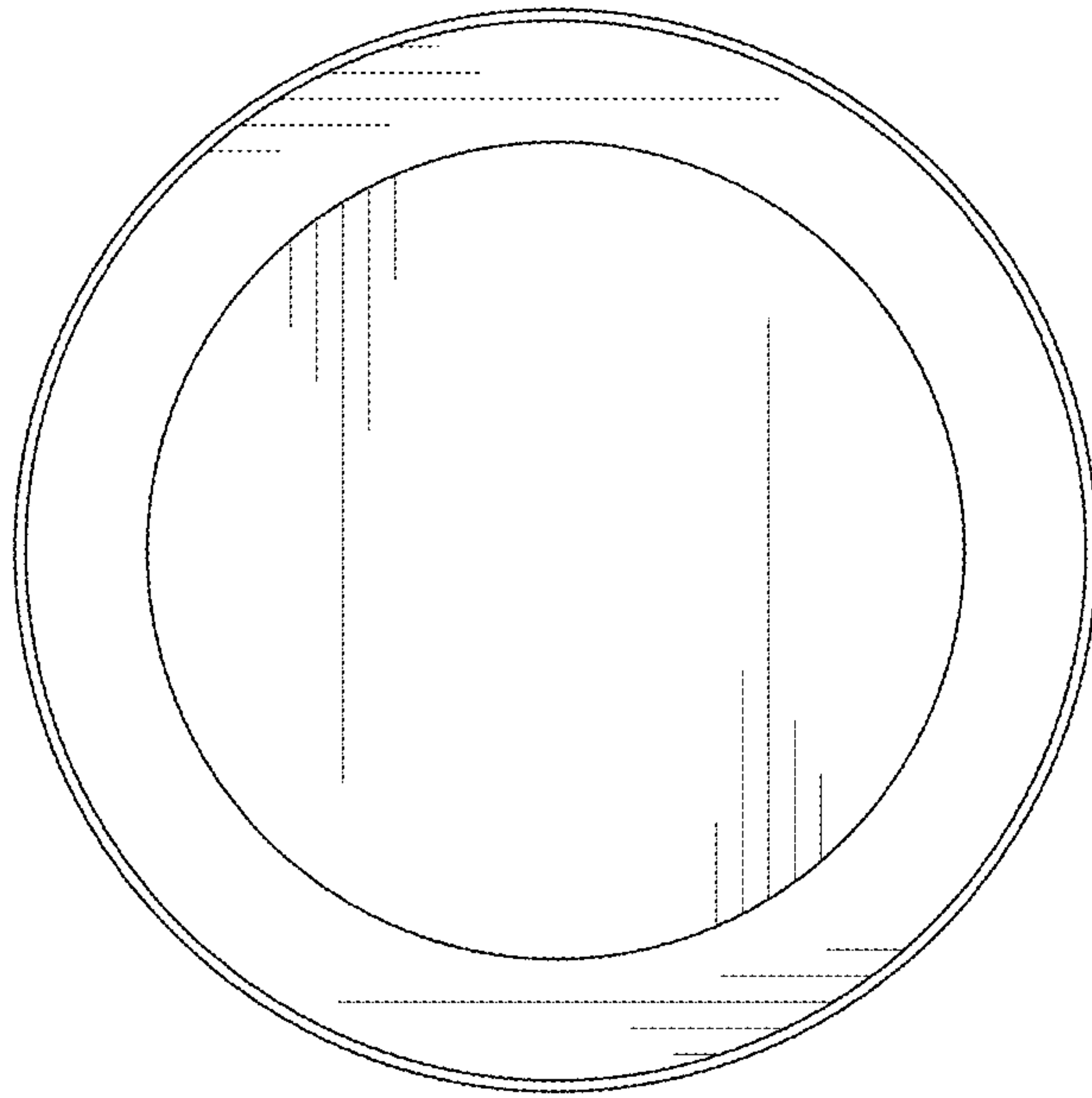


FIG. 8