



US00D971488S

(12) **United States Design Patent** (10) **Patent No.:** **US D971,488 S**
Massad et al. (45) **Date of Patent:** **** Nov. 29, 2022**

(54) **LAMP HEAD**
(71) Applicant: **Redgrass SA**, Lausanne (CH)
(72) Inventors: **Fabrice Massad**, Saint-Sulpice (CH);
Vivien Massad, Paris (FR)
(73) Assignee: **Redgrass SA**, Saint-Sulpice (CH)
(**) Term: **15 Years**
(21) Appl. No.: **35/511,298**

D441,476 S * 5/2001 Mendelsohn D26/63
D472,011 S * 3/2003 Chen D26/145
D579,597 S * 10/2008 Ng D26/61
D606,692 S * 12/2009 Waldmann D26/65
D619,746 S * 7/2010 Huang D26/65
D623,332 S * 9/2010 Huang D26/65
D628,729 S * 12/2010 Citterio D26/65
D646,430 S * 10/2011 Gomez Paz D26/138
D663,062 S * 7/2012 Ng D26/65
D690,044 S * 9/2013 Ng D26/65
D690,861 S * 10/2013 Huang D26/65
D714,483 S * 9/2014 Polick D26/65
D754,384 S * 4/2016 Ng D26/63

(Continued)

(22) Filed: **Jan. 20, 2021**

Primary Examiner — Natasha Vujcic

(80) **Hague Agreement Data**

(74) *Attorney, Agent, or Firm* — Taft Stettinius & Hollister LLP

Int. Filing Date: **Jan. 20, 2021**
Int. Reg. No.: **DM/212363**
Int. Reg. Date: **Jan. 20, 2021**
Int. Reg. Pub. Date: **Feb. 5, 2021**

(57) **CLAIM**

(30) **Foreign Application Priority Data**

The ornamental design for a lamp head, as shown and described.

Jul. 30, 2020 (WO) WIPO96742

DESCRIPTION

(51) **LOC (13) Cl.** **26-05**

(52) **U.S. Cl.**
USPC **D26/107**

(58) **Field of Classification Search**
USPC D26/60–66, 76, 85, 86, 87, 90, 92, 93,
D26/113, 118–122, 138, 139, 140, 141,
D26/142, 107
CPC F21S 2/00; F21S 4/00; F21S 4/003; F21S
4/005; F21S 4/006; F21S 4/007; F21S
4/008; F21S 6/00; F21S 8/00; F21S
8/024; F21S 8/026; F21S 8/031; F21S
8/033; F21S 8/035–037; F21S 8/04; F21S
8/043; F21S 8/063
See application file for complete search history.

2. Lamp head
2.1 : Perspective
2.2 : Perspective
2.3 : Enlarged perspective view
2.4 : Perspective
2.5 : Perspective
2.6 : Enlarged perspective view
2.7 : Right
2.8 : Front
2.9 : Back
2.10 : Top
2.11 : Bottom

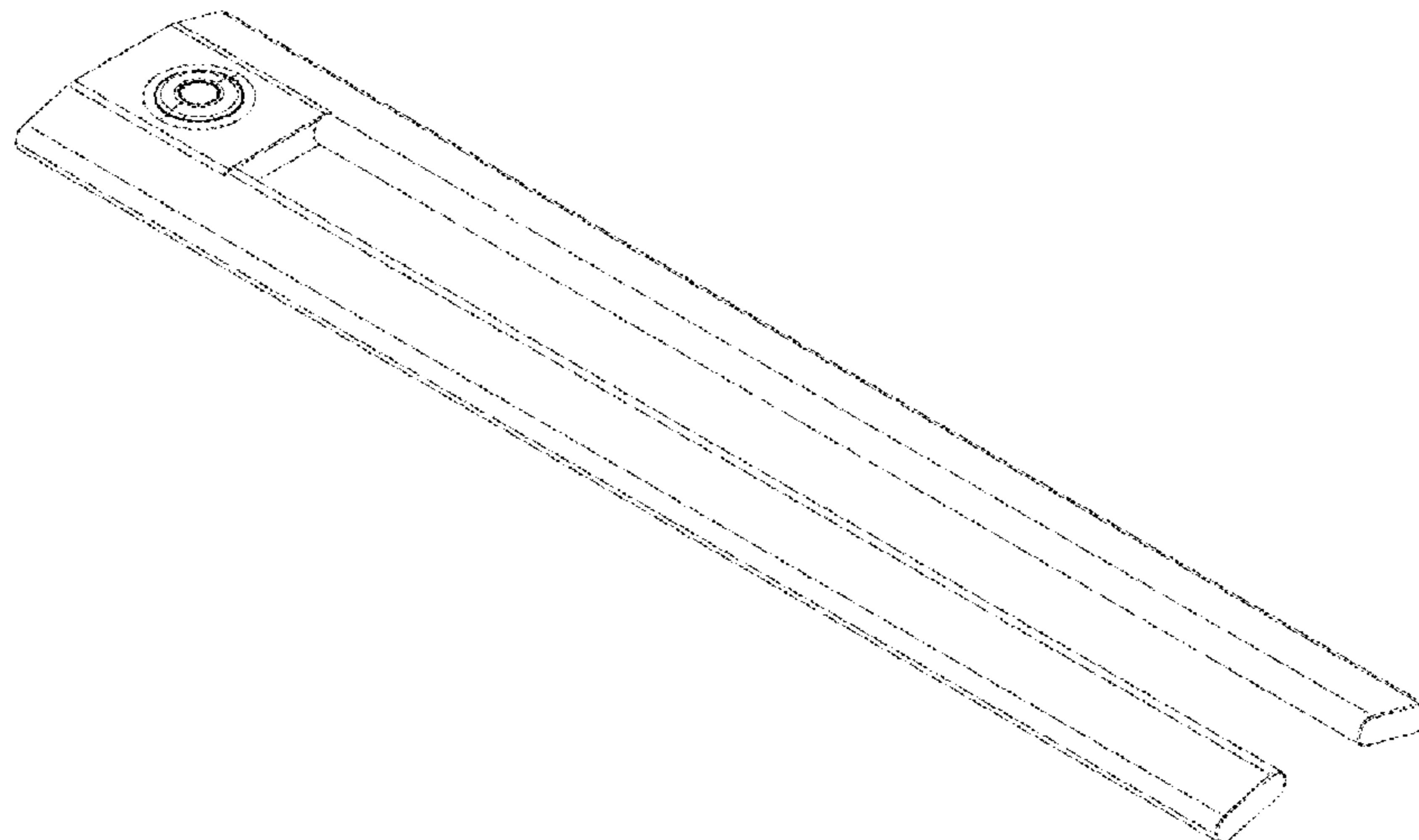
Portions shown in yellow color in reproductions **2.2**, **2.3**, **2.5**, **2.6** and **2.11** represent light sources of the lamp head, the colors shown being disclaimed; reproduction **2.3** is an enlarged view of reproduction **2.2**; reproduction **2.6** is an enlarged view of reproduction **2.5**.

(56) **References Cited**

U.S. PATENT DOCUMENTS

D382,362 S * 8/1997 Huang D26/65
D388,211 S * 12/1997 Yang D26/65

1 Claim, 11 Drawing Sheets



(56)

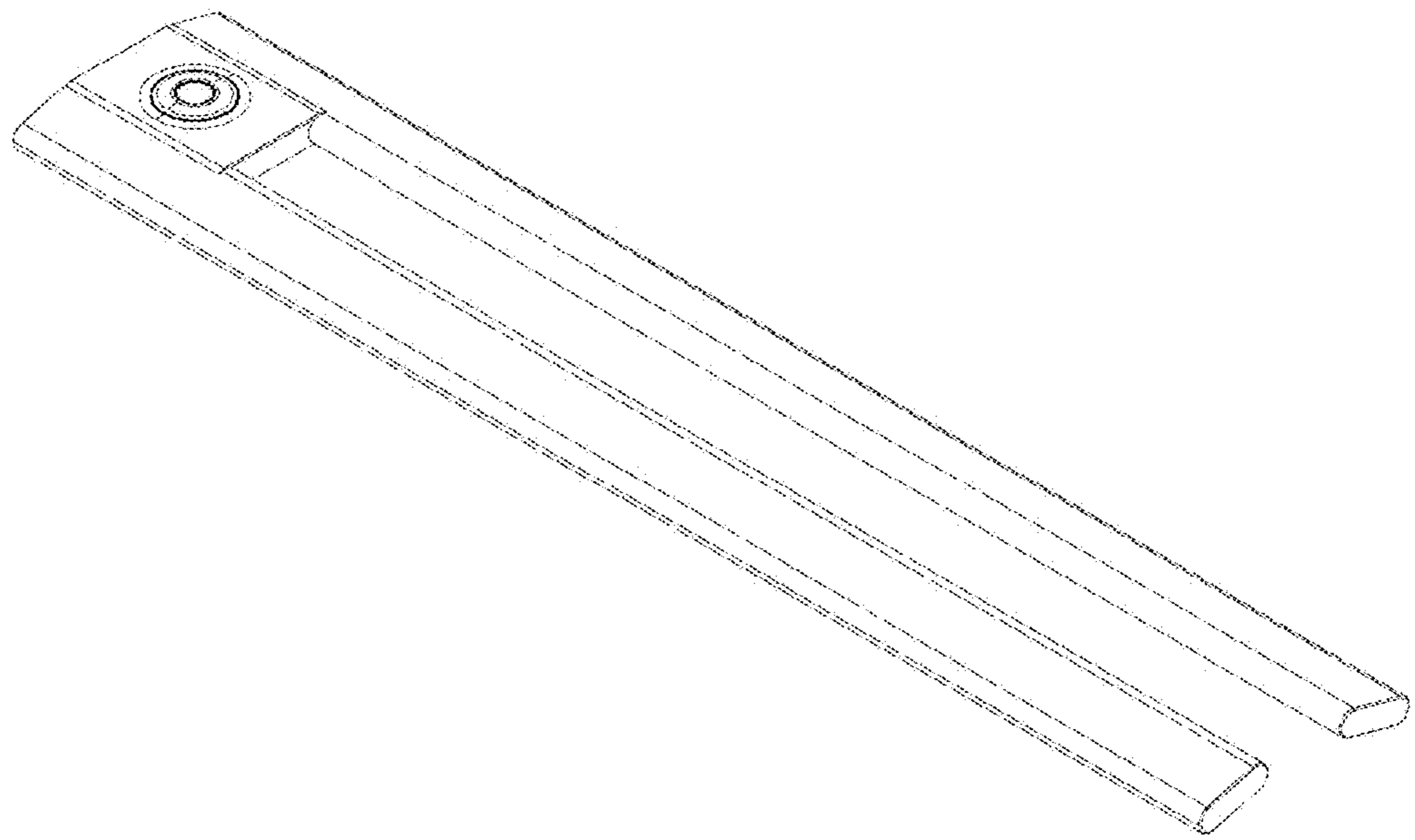
References Cited

U.S. PATENT DOCUMENTS

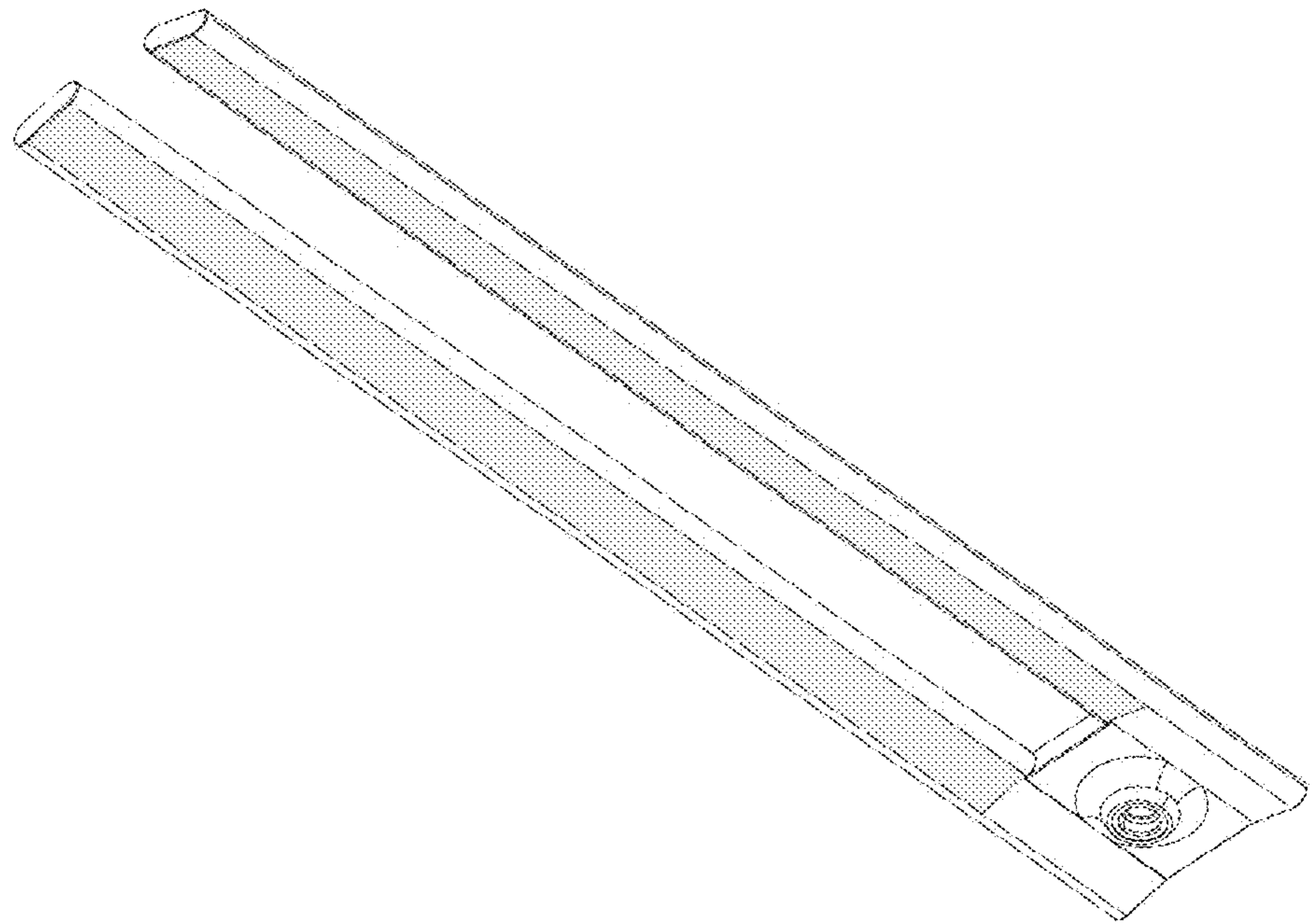
D757,979 S *	5/2016	Lee	D26/65
D775,399 S *	12/2016	Fioravanti	D26/107
D804,072 S *	11/2017	Xu	D26/63
D822,879 S *	7/2018	Hodgson	D26/108
D824,067 S *	7/2018	Waldmann	F21S 6/00
			D26/65
D835,330 S *	12/2018	Richardson	D26/107
D876,699 S *	2/2020	Tang	D26/65
D911,588 S *	2/2021	Tan	D26/107

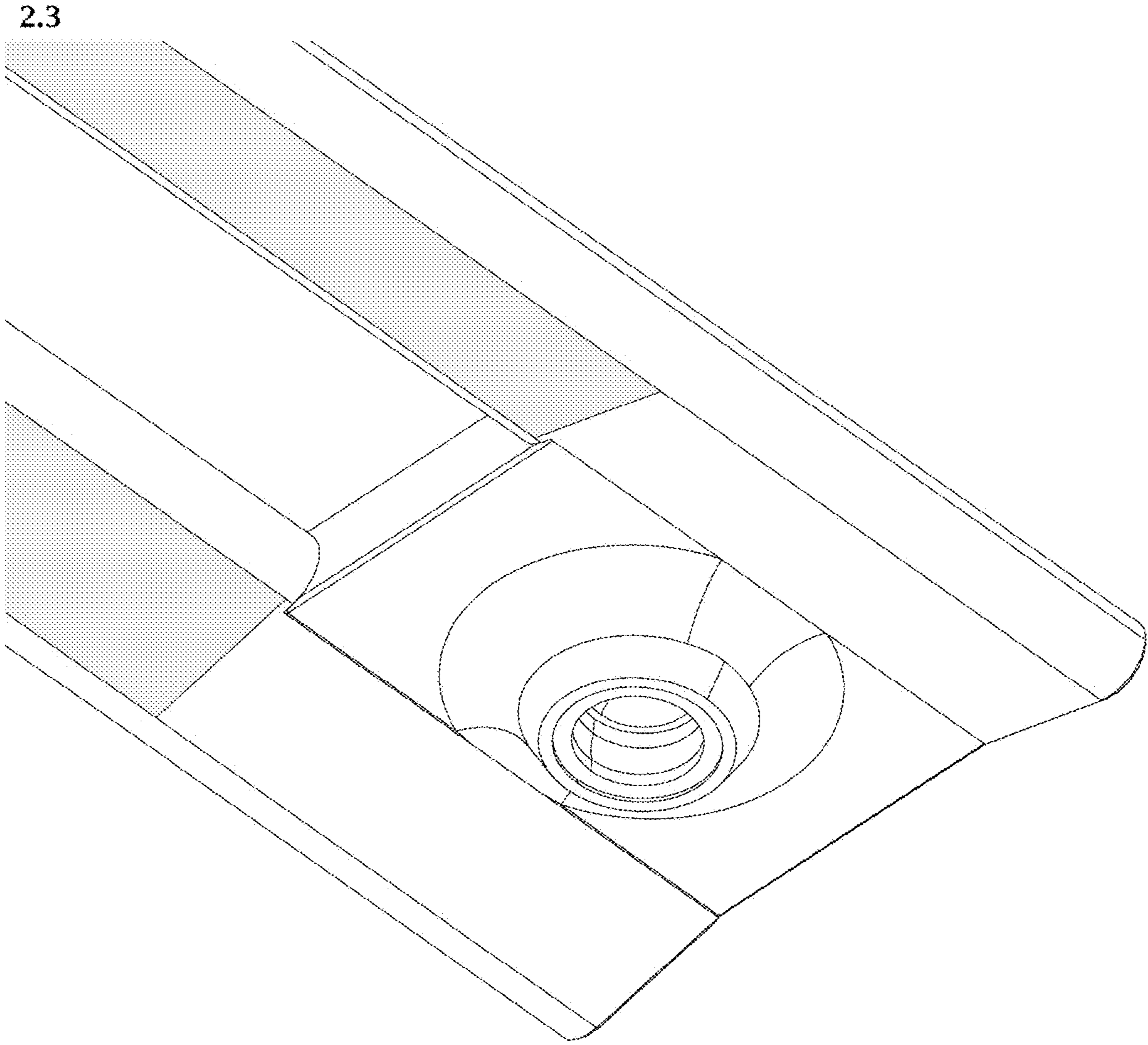
* cited by examiner

2.1

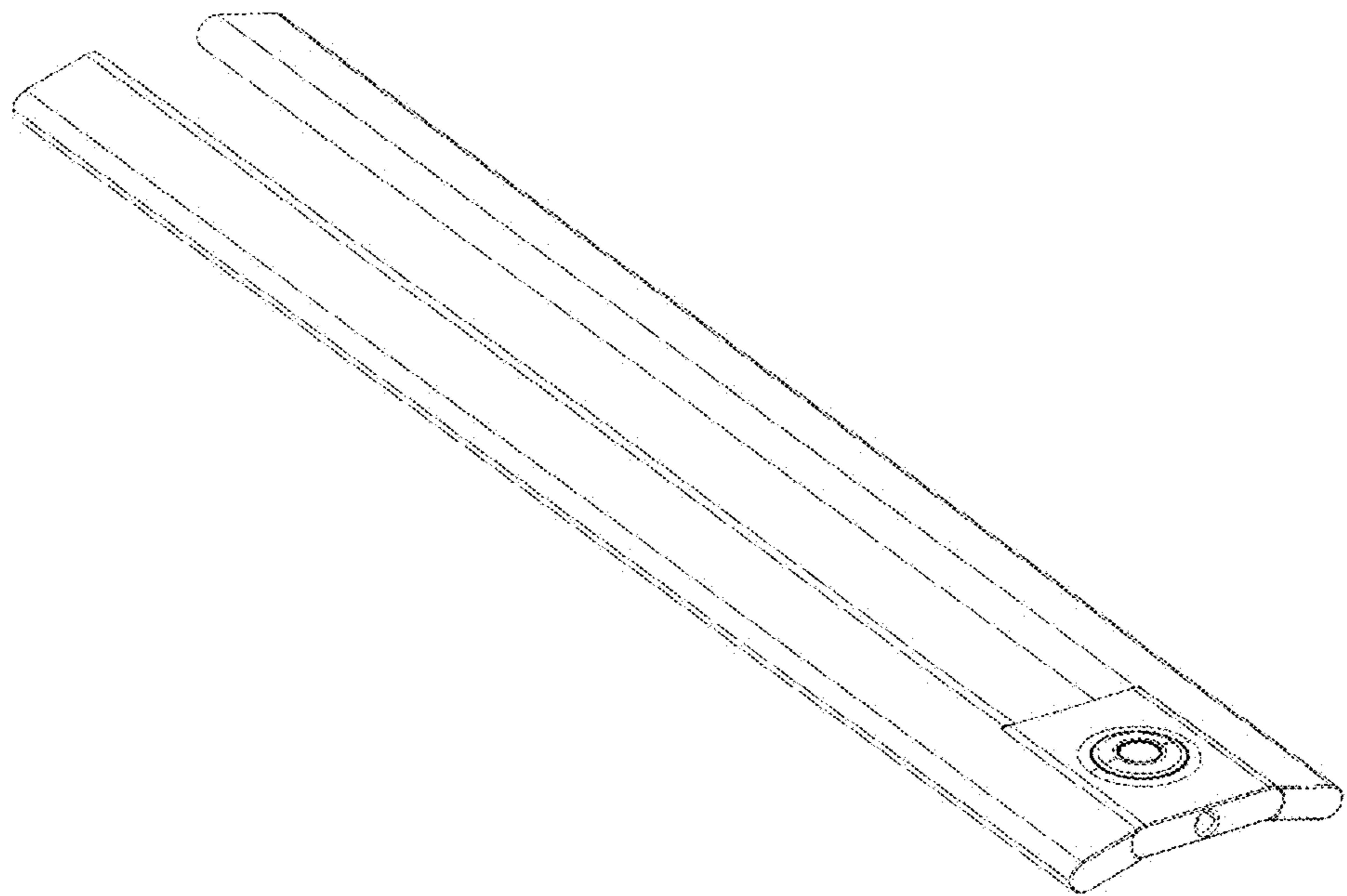


2.2

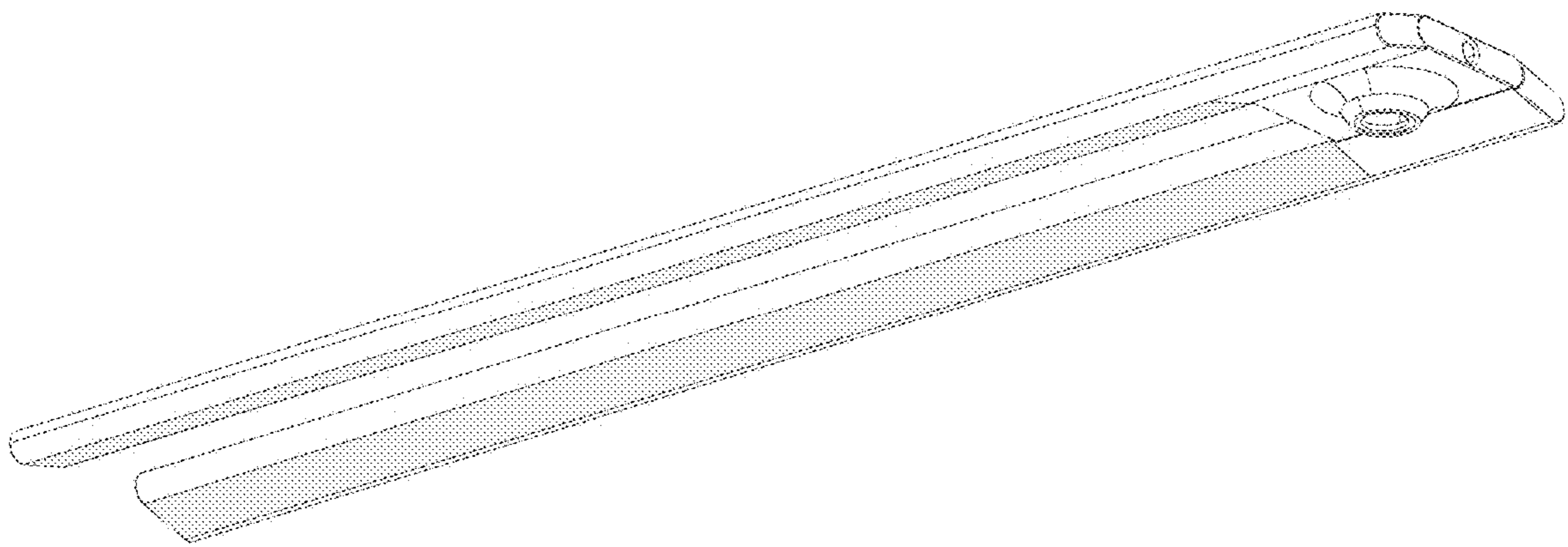




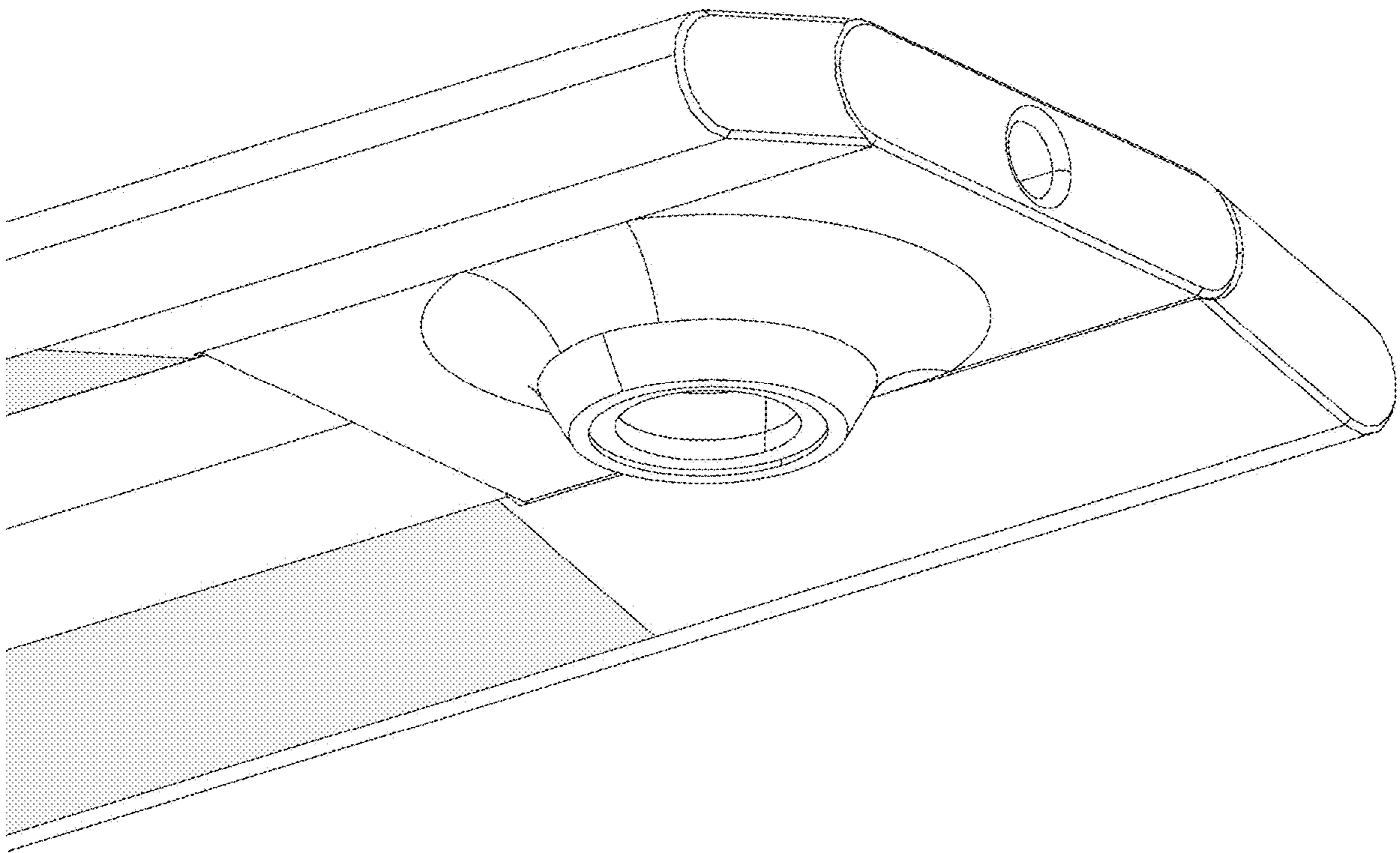
2.4



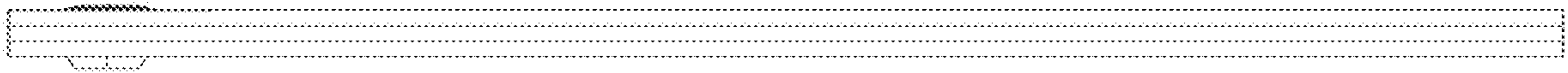
2.5



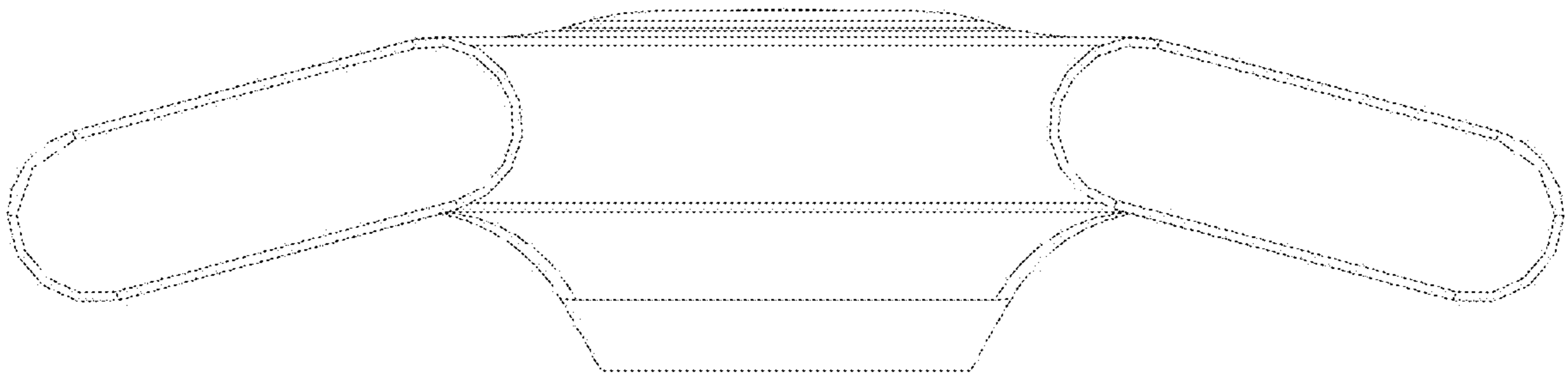
2.6



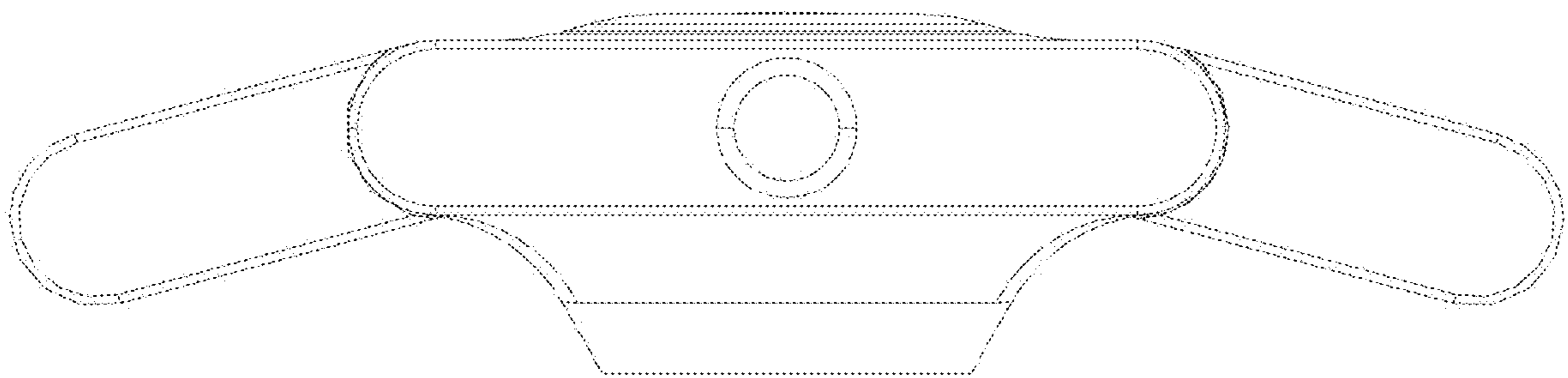
2.7



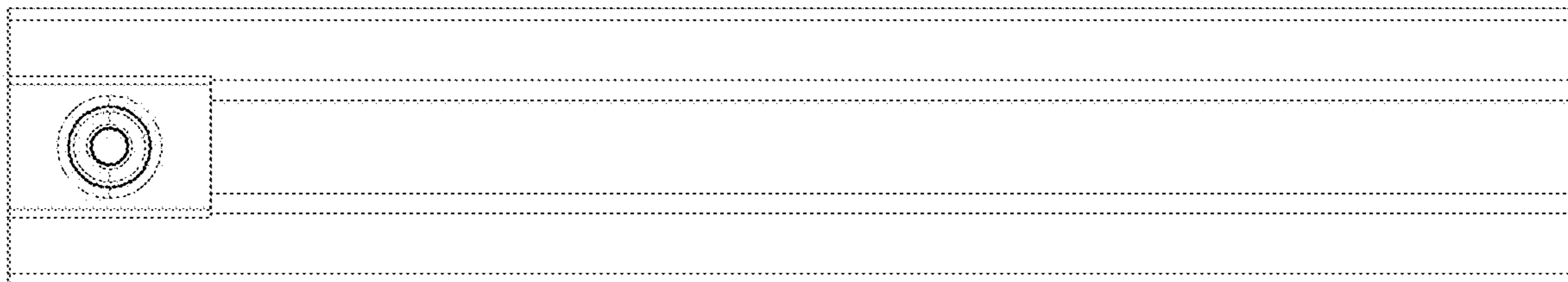
2.8



2.9



2.10



2.11

