



US00D971487S

(12) **United States Design Patent** (10) **Patent No.:** **US D971,487 S**  
**Ji** (45) **Date of Patent:** **\*\* Nov. 29, 2022**

(54) **PROJECTION LAMP**  
(71) Applicants: **SHENZHEN XURIHENGGUANG TECHNOLOGY CO., LTD**, Shenzhen (CN); **SHENZHEN HUIJING TECHNOLOGY CO., LTD**, Shenzhen (CN)  
(72) Inventor: **Min Ji**, Huizhou (CN)  
(73) Assignees: **SHENZHEN XURIHENGGUANG TECHNOLOGY CO., LTD**, Shenzhen (CN); **SHENZHEN HUIJING TECHNOLOGY CO., LTD**, Shenzhen (CN)  
(\*\*) Term: **15 Years**

D815,335 S *	4/2018	Lin	.....	D26/110
D816,886 S *	5/2018	Lin	.....	D26/110
D861,964 S *	10/2019	Lin	.....	D26/110
D884,955 S *	5/2020	Yi	.....	D26/104
D887,623 S *	6/2020	Ji	.....	D26/110
D912,883 S *	3/2021	Zheng	.....	D26/110
D914,957 S *	3/2021	Zeng	.....	D26/110
D915,661 S *	4/2021	Zhu	.....	D26/106
D922,664 S *	6/2021	Li	.....	D26/106
11,215,912 B1 *	1/2022	Xu	.....	F21S 10/063
D946,195 S *	3/2022	Zhong	.....	D26/67
D951,523 S *	5/2022	Lin	.....	D26/110
D953,608 S *	5/2022	Zheng	.....	D26/104
D953,609 S *	5/2022	Zheng	.....	D26/104
D956,322 S *	6/2022	Li	.....	D26/106
D959,046 S *	7/2022	Hendifar	.....	D26/110
D959,728 S *	8/2022	Li	.....	D26/104
D963,230 S *	9/2022	Zheng	.....	D26/104
D963,234 S *	9/2022	Ye	.....	D26/110

\* cited by examiner

(21) Appl. No.: **29/780,545**  
(22) Filed: **Apr. 26, 2021**  
(51) **LOC (13) Cl.** ..... **26-05**  
(52) **U.S. Cl.**  
USPC ..... **D26/104; D26/110**  
(58) **Field of Classification Search**  
USPC .... D26/24, 40, 93, 102, 104, 106, 110, 118,  
D26/123, 124; D21/301, 443, 451, 452;  
D10/104.2, 114.1, 114.2, 114.5, 114.6,  
D10/114.8  
CPC .. F21S 10/00; F21S 10/02; F21S 10/06; F21S  
10/005; F21S 10/063; F21S 9/00; F21W  
2121/008; F21W 2131/30; F21W  
2131/406  
See application file for complete search history.

*Primary Examiner* — Wan Laymon  
*Assistant Examiner* — Clint A Samuel

(57) **CLAIM**

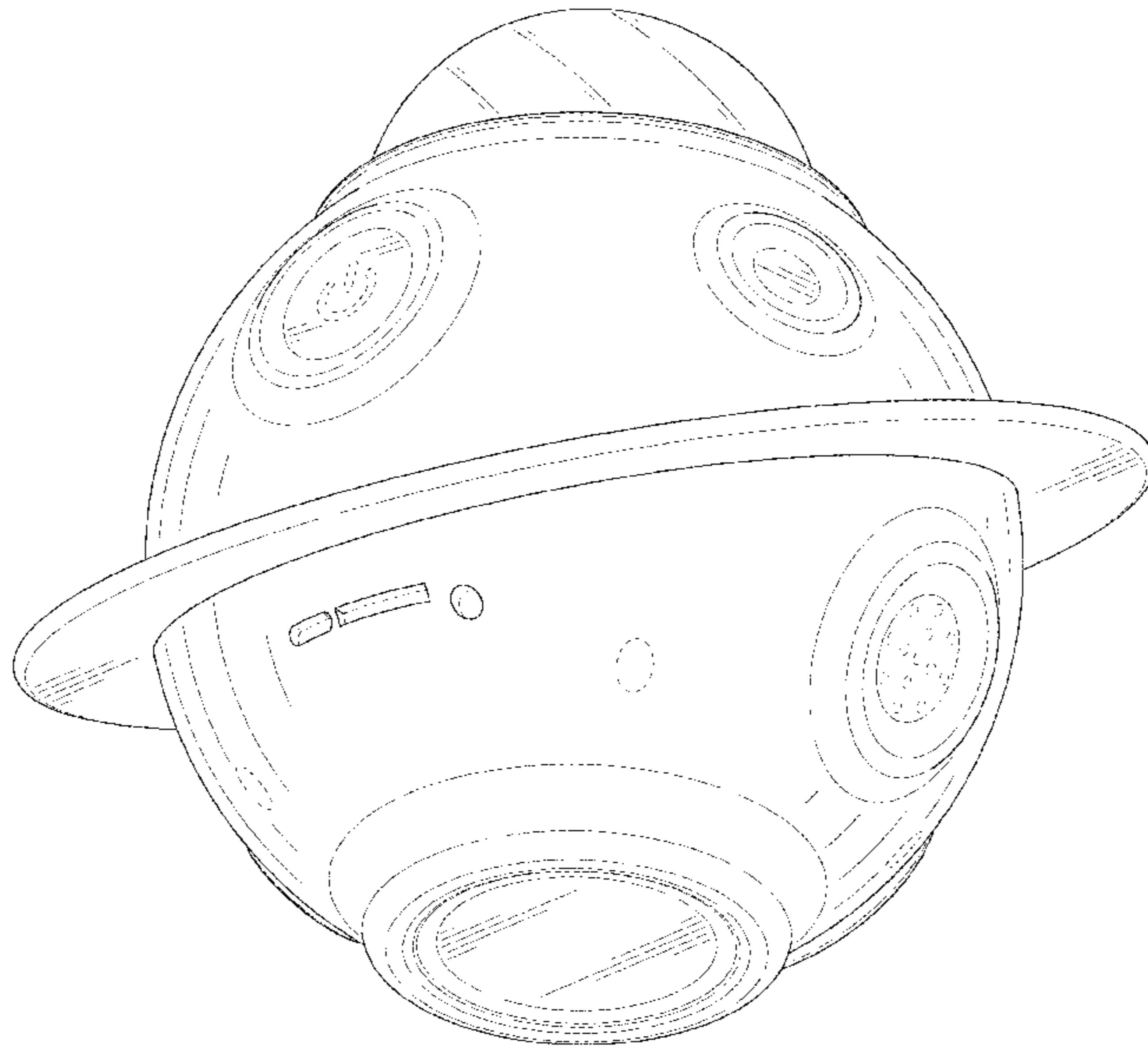
The ornamental design for a projection lamp, as shown and described.

**DESCRIPTION**

FIG. 1 is a perspective view of a projection lamp showing my new design;  
FIG. 2 is another perspective view thereof;  
FIG. 3 is a front elevational view thereof  
FIG. 4 is a rear elevational view thereof;  
FIG. 5 is a left side elevational view thereof;  
FIG. 6 is a right side elevational view thereof;  
FIG. 7 is a top plan view thereof; and,  
FIG. 8 is a bottom plan view thereof.  
The broken lines in the drawings depict portions of the projection lamp that form no part of the claimed design.

(56) **References Cited**  
U.S. PATENT DOCUMENTS  
D298,573 S \* 11/1988 Komamura ..... D26/93  
D478,681 S \* 8/2003 Newcomb ..... D26/94  
D605,337 S \* 12/2009 Zhang ..... D26/104

**1 Claim, 8 Drawing Sheets**



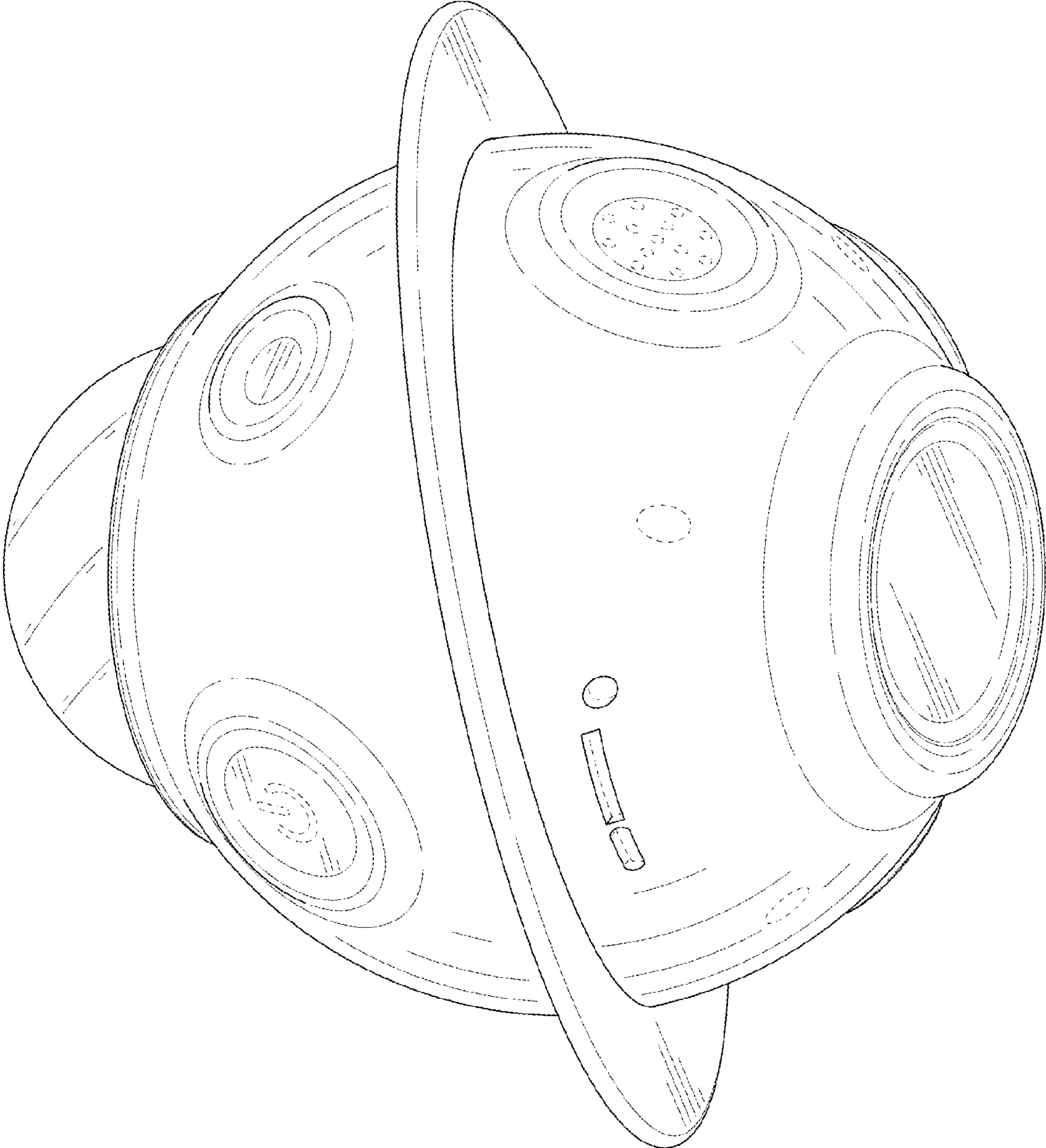


FIG. 1

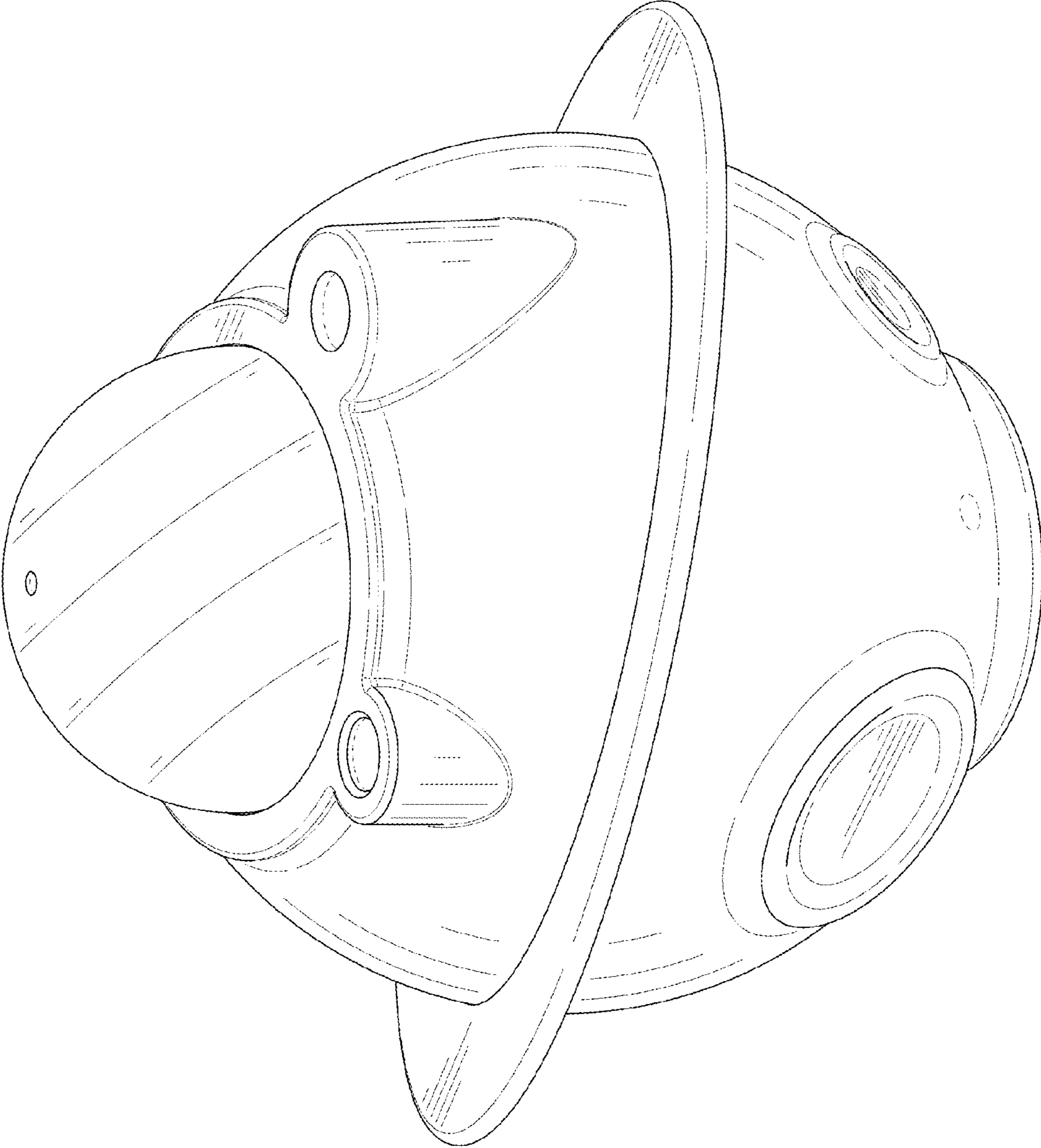


FIG. 2

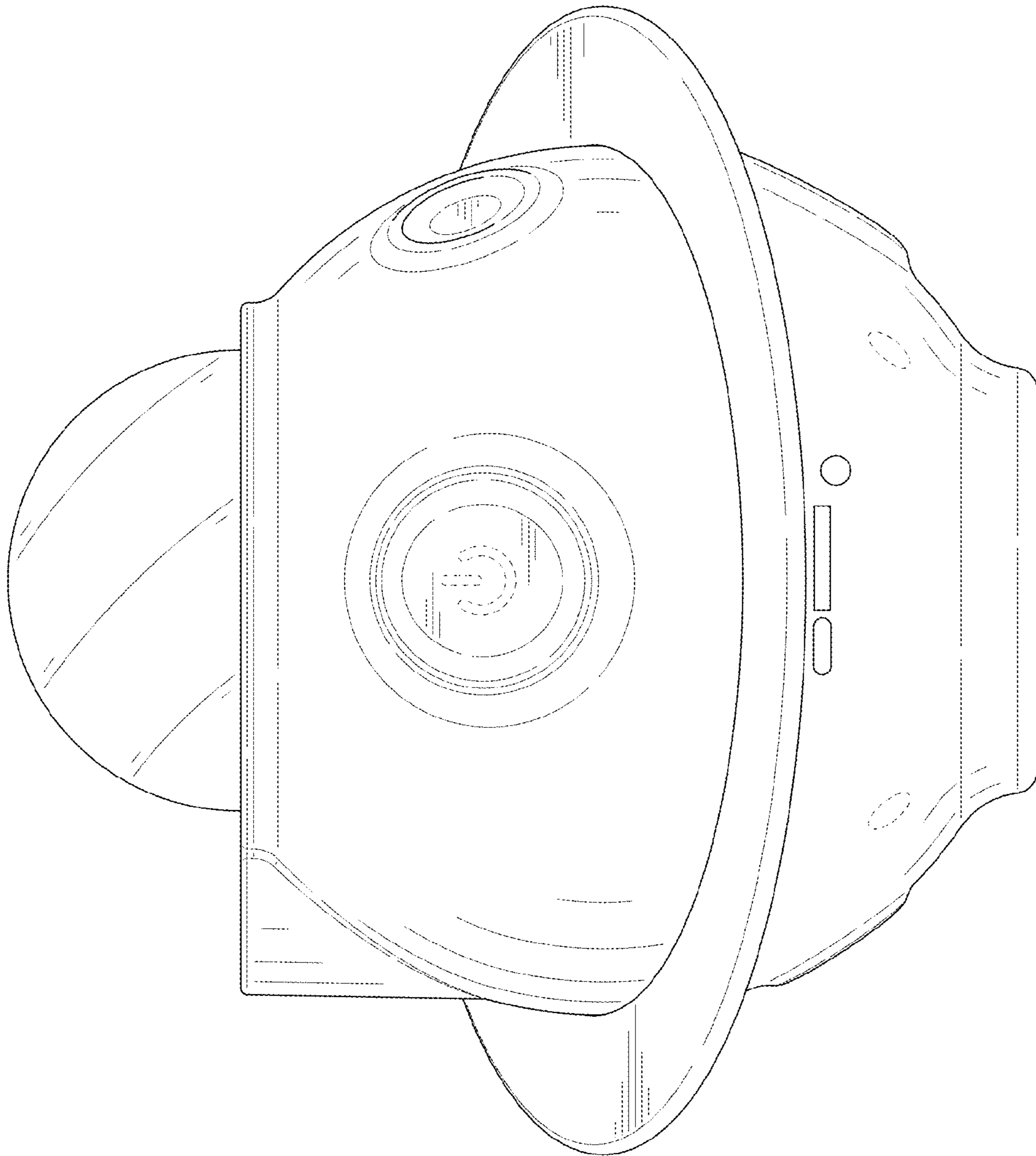


FIG. 3

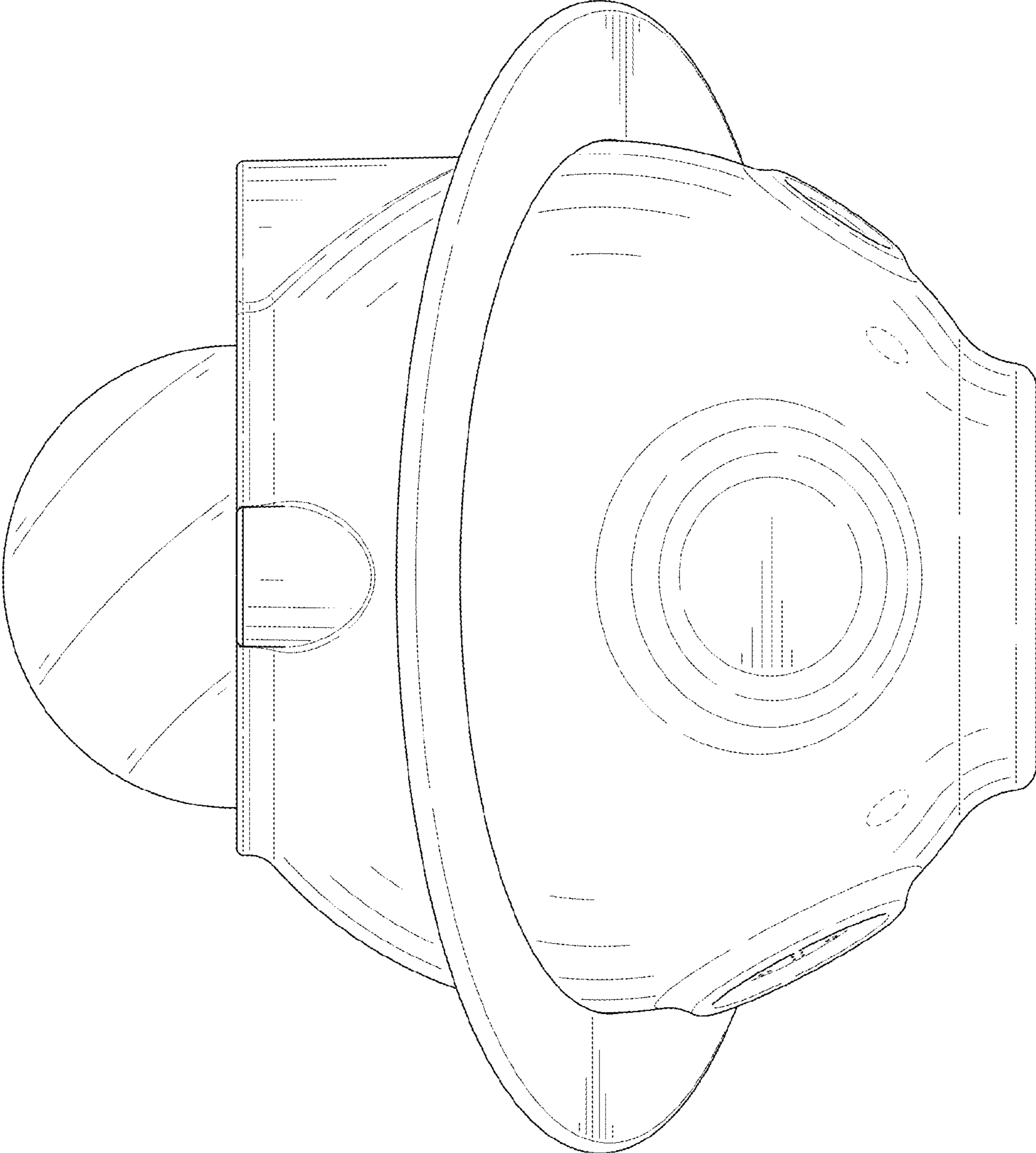


FIG. 4

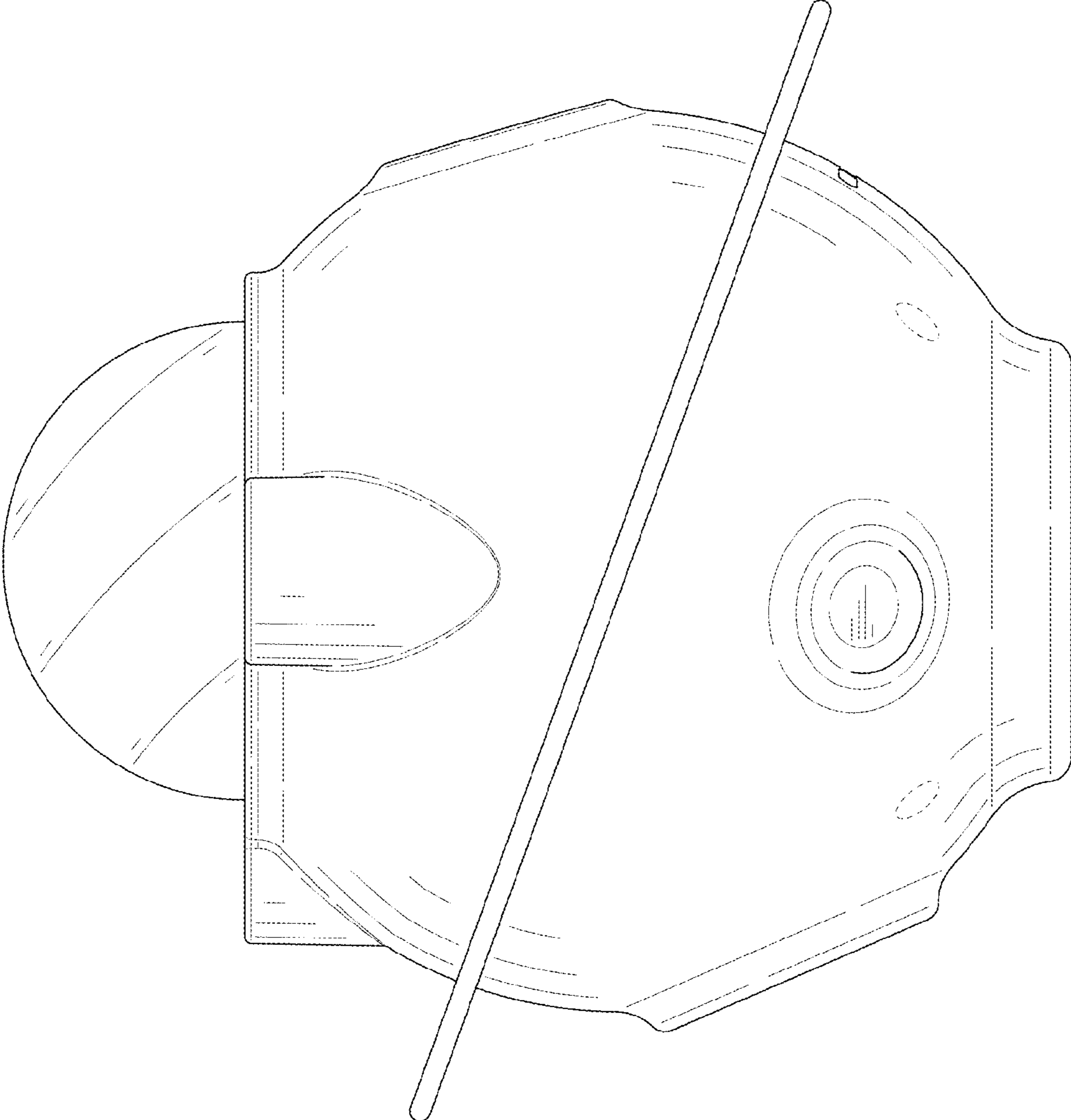


FIG. 5

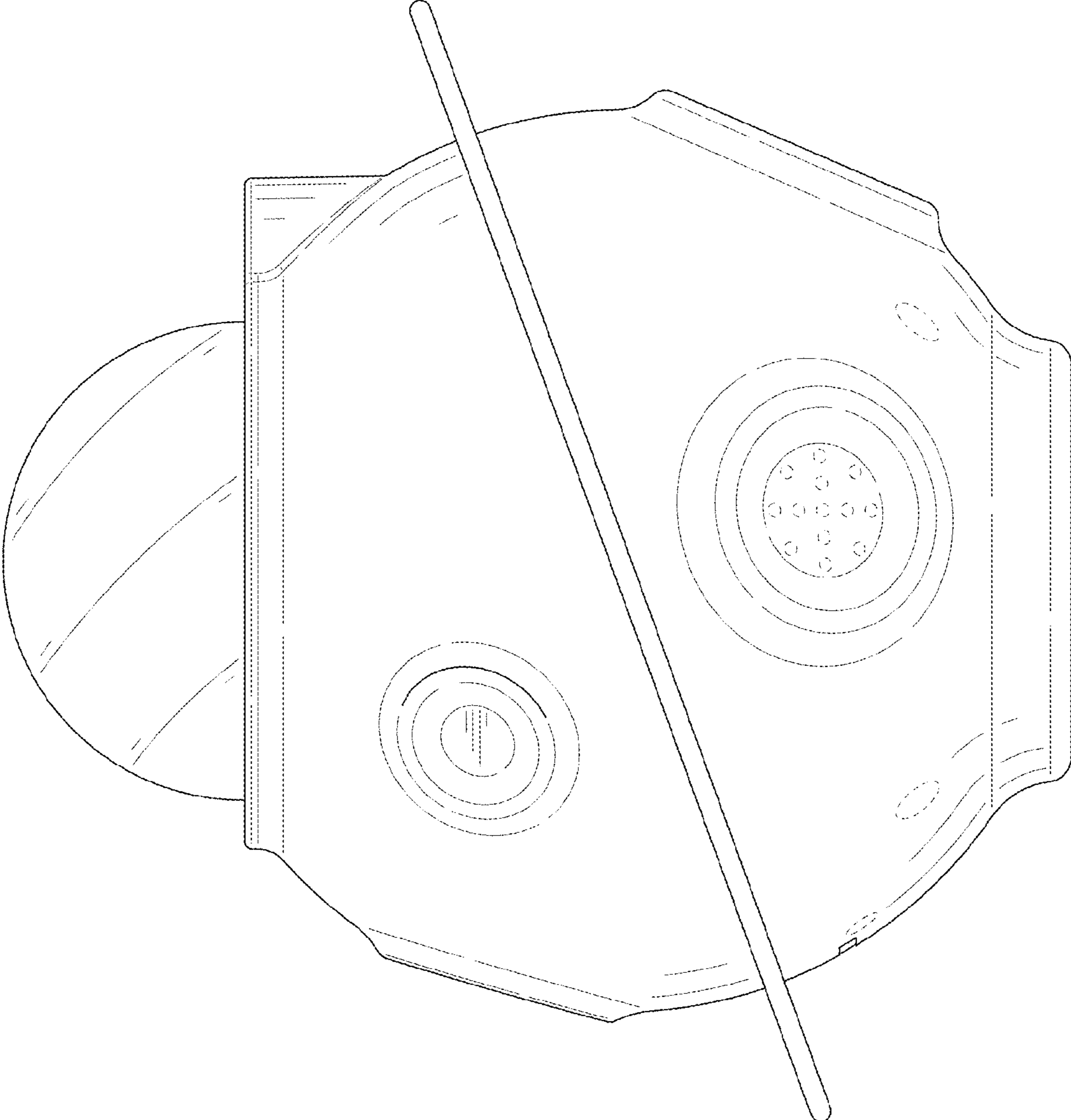


FIG. 6

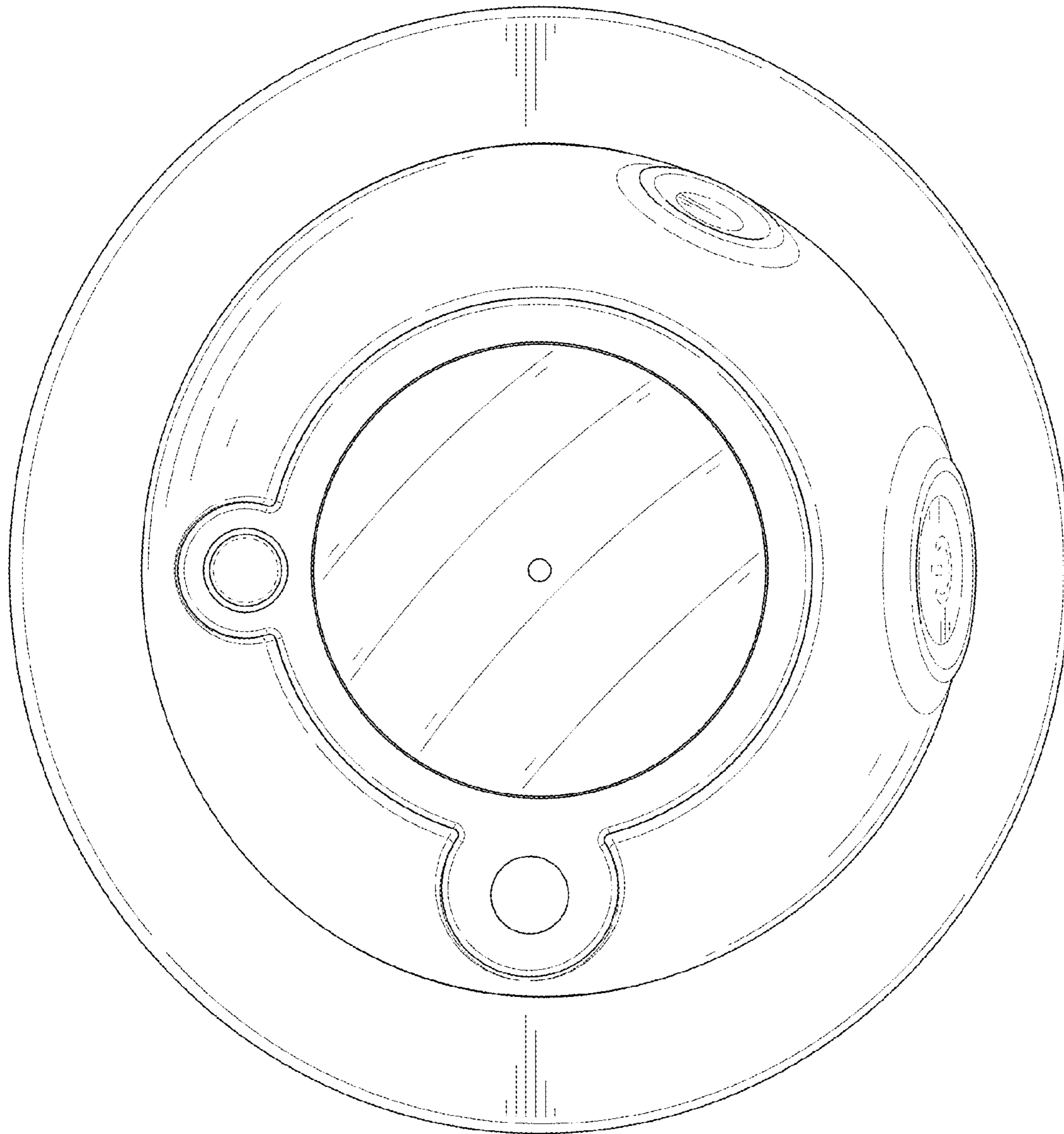


FIG. 7



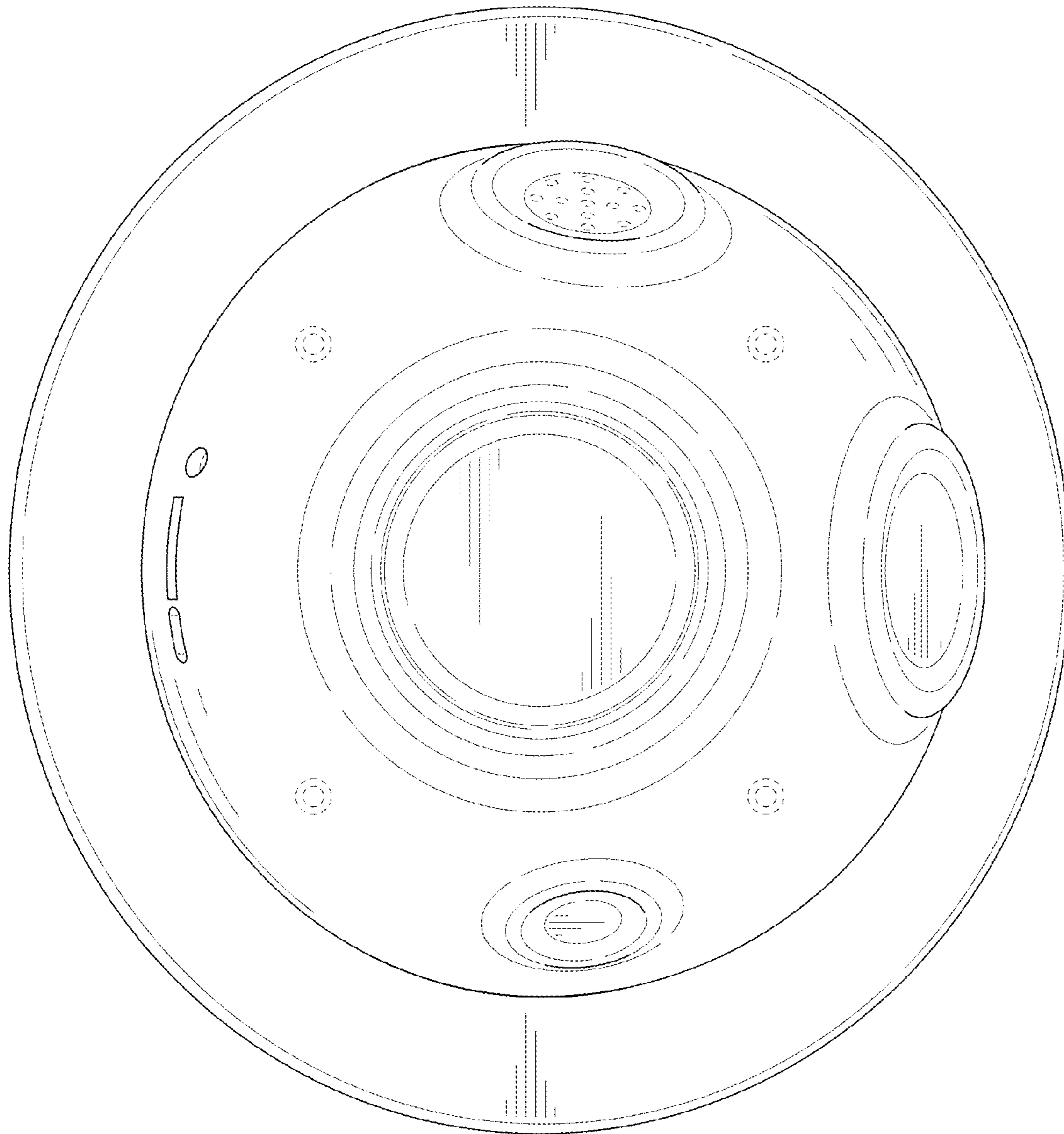


FIG. 8