



US00D971484S

(12) **United States Design Patent**
Li

(10) **Patent No.:** **US D971,484 S**

(45) **Date of Patent:** **** Nov. 29, 2022**

(54) **CANDLE LIGHT**

(71) Applicant: **Lin Li**, Lichuan (CN)

(72) Inventor: **Lin Li**, Lichuan (CN)

(**) Term: **15 Years**

(21) Appl. No.: **29/809,360**

(22) Filed: **Sep. 27, 2021**

(51) **LOC (13) Cl.** **26-05**

(52) **U.S. Cl.**
USPC **D26/96**

(58) **Field of Classification Search**

USPC D11/124, 125; D26/4-12, 25, 26, 32, 40,
D26/47, 57, 67, 70, 73, 94, 96-99, 118,
D26/125-126

CPC F21S 4/00; F21S 4/10; F21S 4/20; F21S
6/00; F21S 6/001; F21S 8/035; F21S
10/04; F21S 10/043; F21S 10/046; F21S
9/02; F21V 37/0095

See application file for complete search history.

(56) **References Cited**

U.S. PATENT DOCUMENTS

D527,484 S	8/2006	Fussell et al.	
D757,337 S *	5/2016	Li	D26/96
D759,879 S *	6/2016	Li	D26/96
D779,707 S *	2/2017	Thompson	D26/96
D835,831 S *	12/2018	Ding	D26/96
D900,350 S *	10/2020	Ding	D26/5
D901,748 S	11/2020	Wang	
D961,122 S *	8/2022	Liu	D26/25
2019/0017669 A1 *	1/2019	Boldsen	F21S 6/001
2020/0149693 A1 *	5/2020	Feng	F21S 6/001
2021/0215311 A1 *	7/2021	Hurduc	F21S 10/043
2021/0247042 A1 *	8/2021	Wu	F21S 6/001
2021/0270435 A1 *	9/2021	Chan	F21V 23/04
2022/0018507 A1 *	1/2022	Li	F21V 27/00

OTHER PUBLICATIONS

Homemory 6"x3.25" Outdoor Waterproof Flameless Candles, available May 18, 2020, retrieved Aug. 15, 2022 from URL: https://www.amazon.com/Homemory-Waterproof-Flameless-Flickering-Operated/dp/B088TBGSLH?ref_ast_sto_dp&th=1 (Year: 2020).*

www.amazon.com/Homemory-Waterproof-Flameless-Flickering-Operated/dp/B088TBGSLH?ref_ast_sto_dp&th=1 (Year: 2020).*

* cited by examiner

Primary Examiner — Richard Kearney

Assistant Examiner — Christina M. Dodson

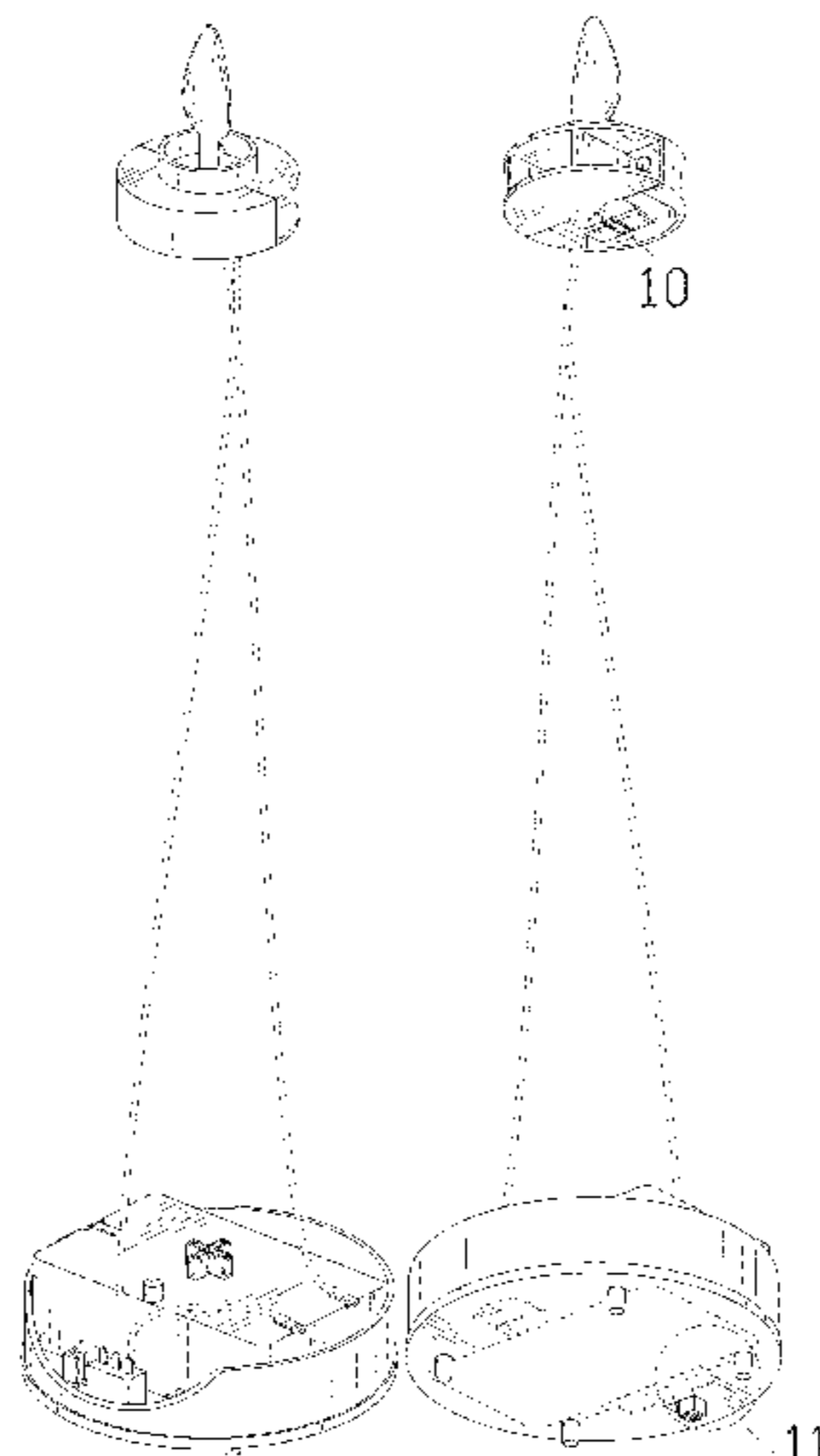
(57) **CLAIM**

The ornamental design for a candle light, as shown and described.

DESCRIPTION

FIG. 1 is a perspective view of a candle light showing my new design;
FIG. 2 is another perspective view thereof;
FIG. 3 is a front elevational view thereof;
FIG. 4 is a rear elevational view thereof;
FIG. 5 is a left side elevational view thereof;
FIG. 6 is a right side elevational view thereof;
FIG. 7 is a top plan view thereof;
FIG. 8 is a bottom plan view thereof;
FIG. 9 is a perspective view of the candle light where the candle light is in a configuration of use;
FIG. 10 is enlarged view of portion 10 shown in FIG. 2;
FIG. 11 is enlarged view of portion 11 shown in FIG. 2;
FIG. 12 is enlarged view of portion 12 shown in FIG. 7;
FIG. 13 is enlarged view of portion 13 shown in FIG. 7;
FIG. 14 is enlarged view of portion 14 shown in FIG. 8; and,
FIG. 15 is enlarged view of portion 15 shown in FIG. 8.
The dash-dash broken lines in FIG. 9 depict environment that form no part of the claimed design. The other dash-dash broken lines in FIGS. 1-8 depict portions of the candle light that form no part of the claimed design. The dot-dash broken lines in the drawings depict boundaries of the enlarged portions and form no part of the claimed design.

1 Claim, 15 Drawing Sheets



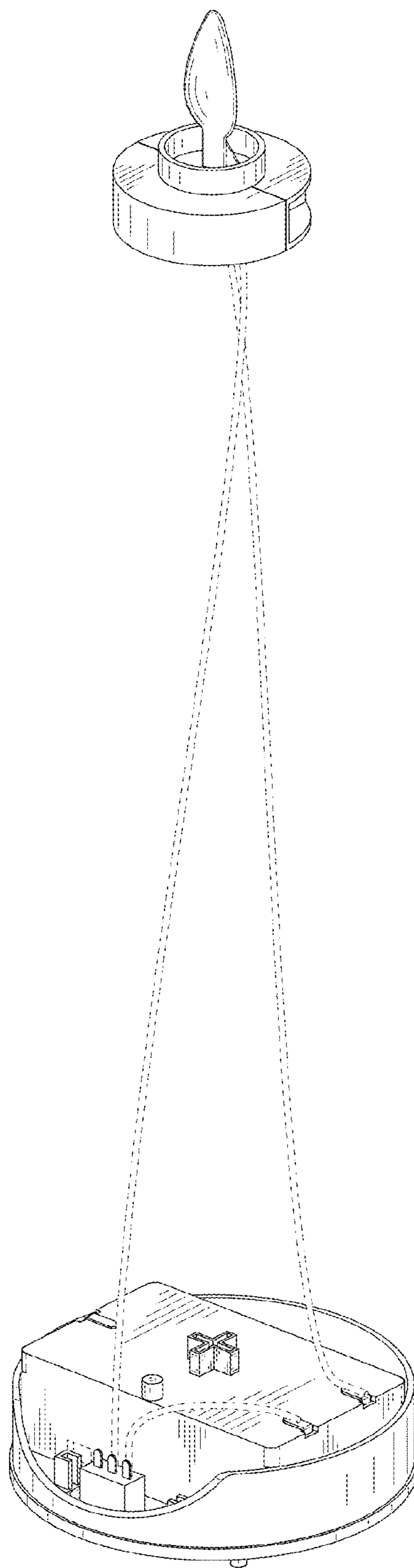


FIG. 1

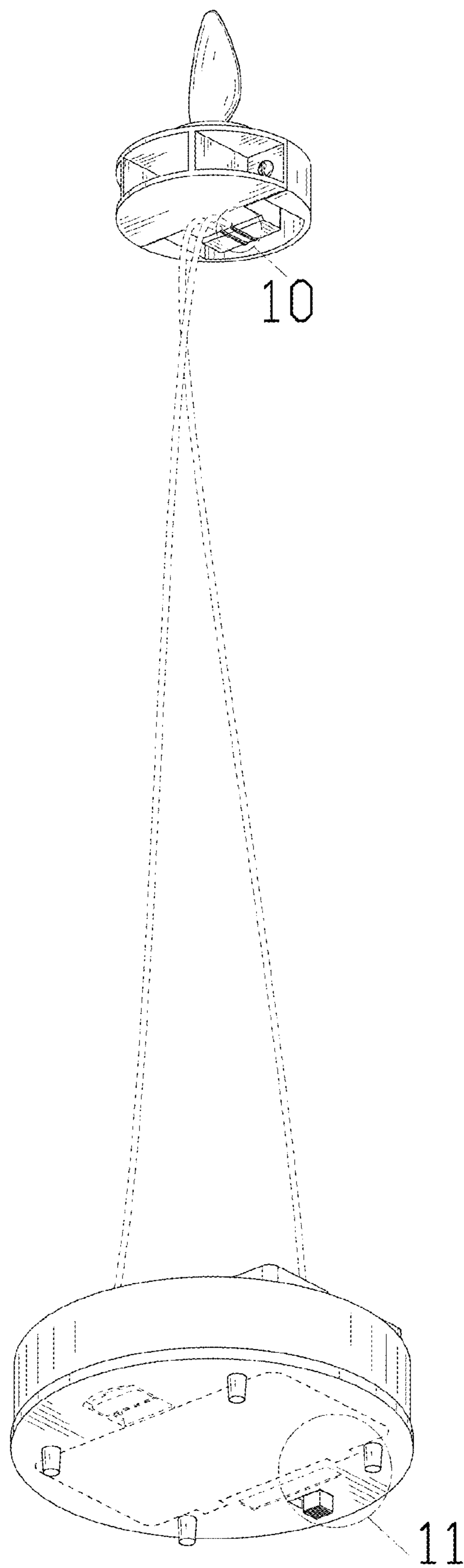


FIG. 2

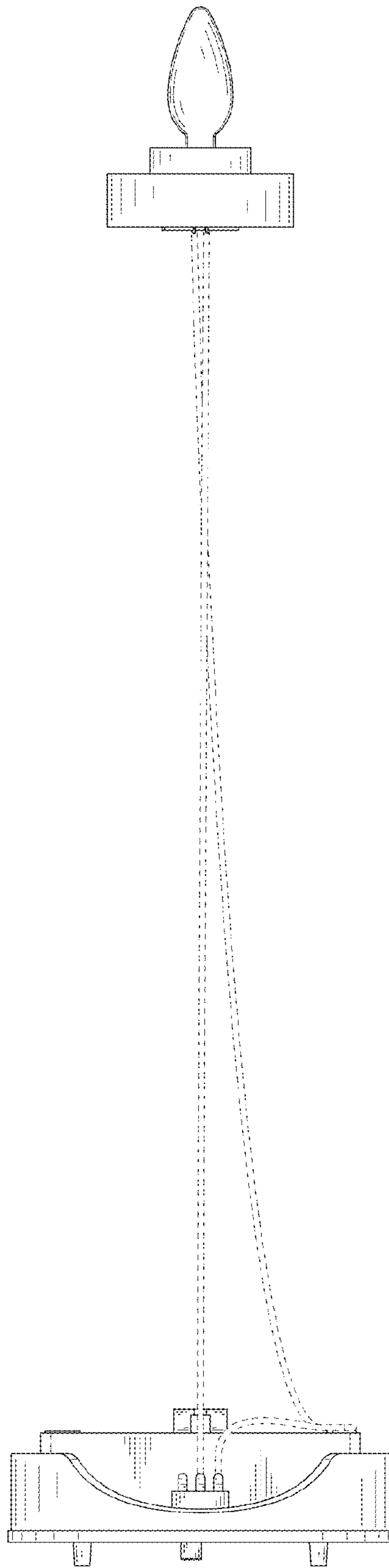


FIG. 3

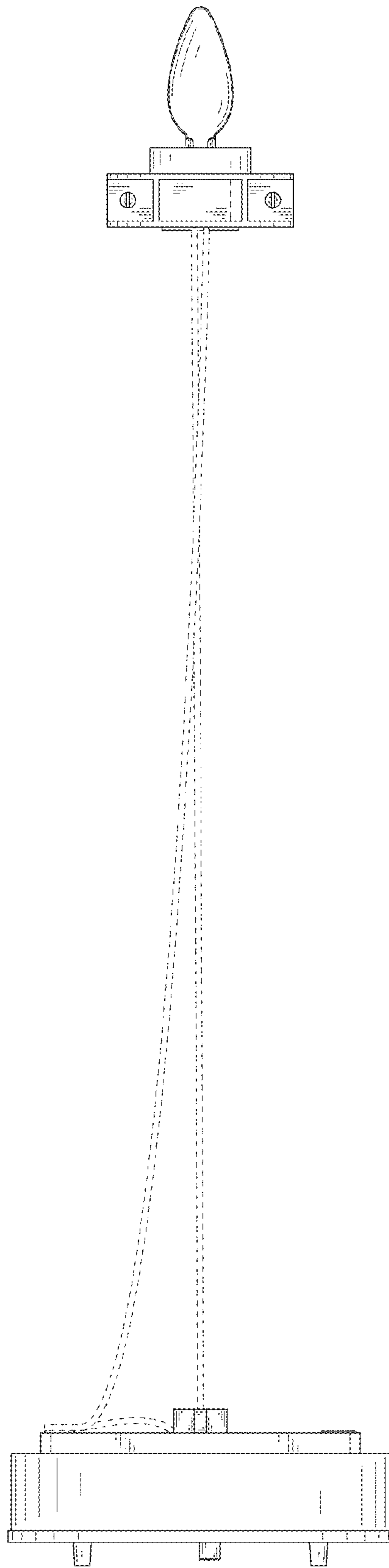


FIG. 4

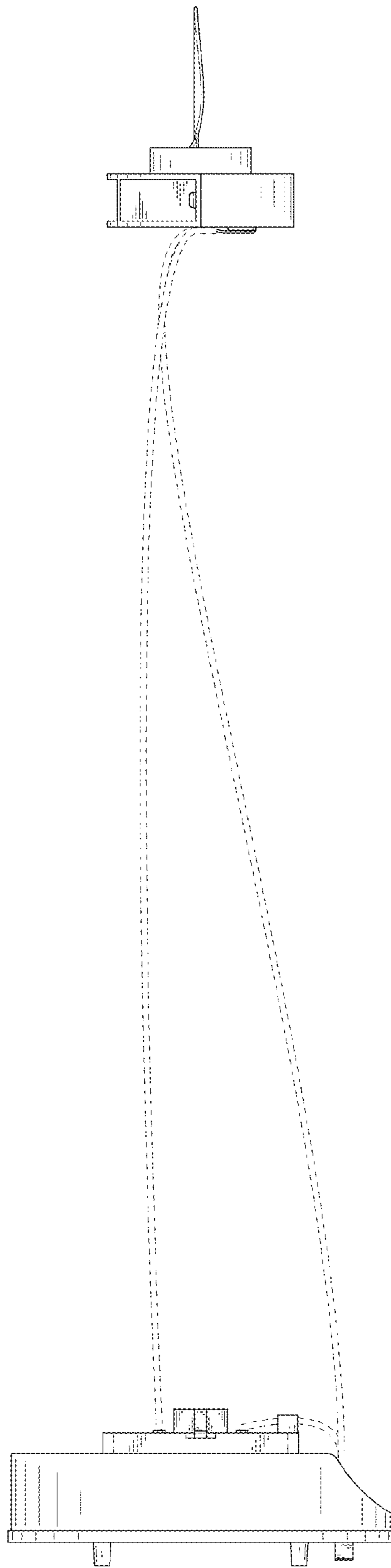


FIG. 5

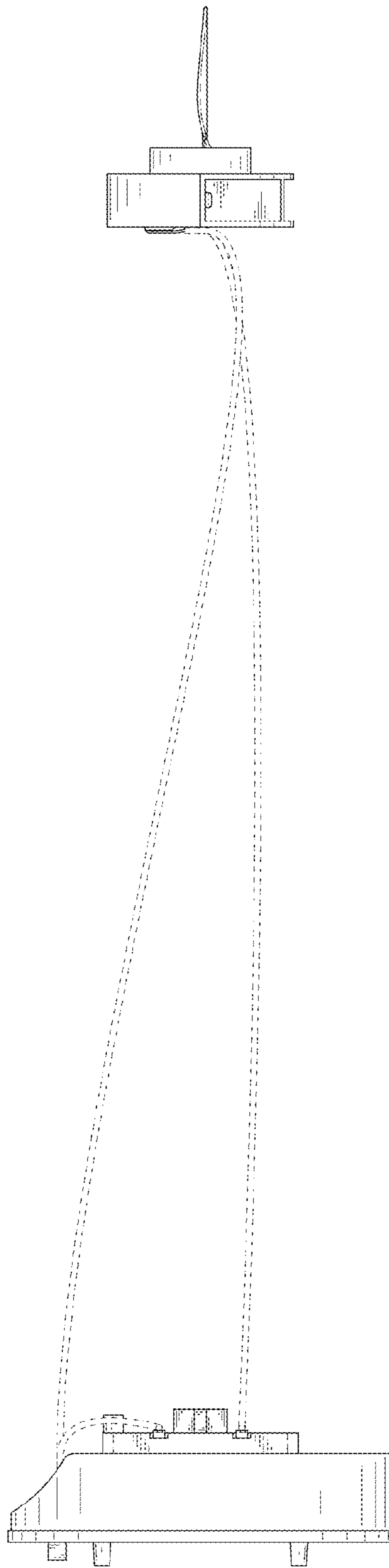


FIG. 6

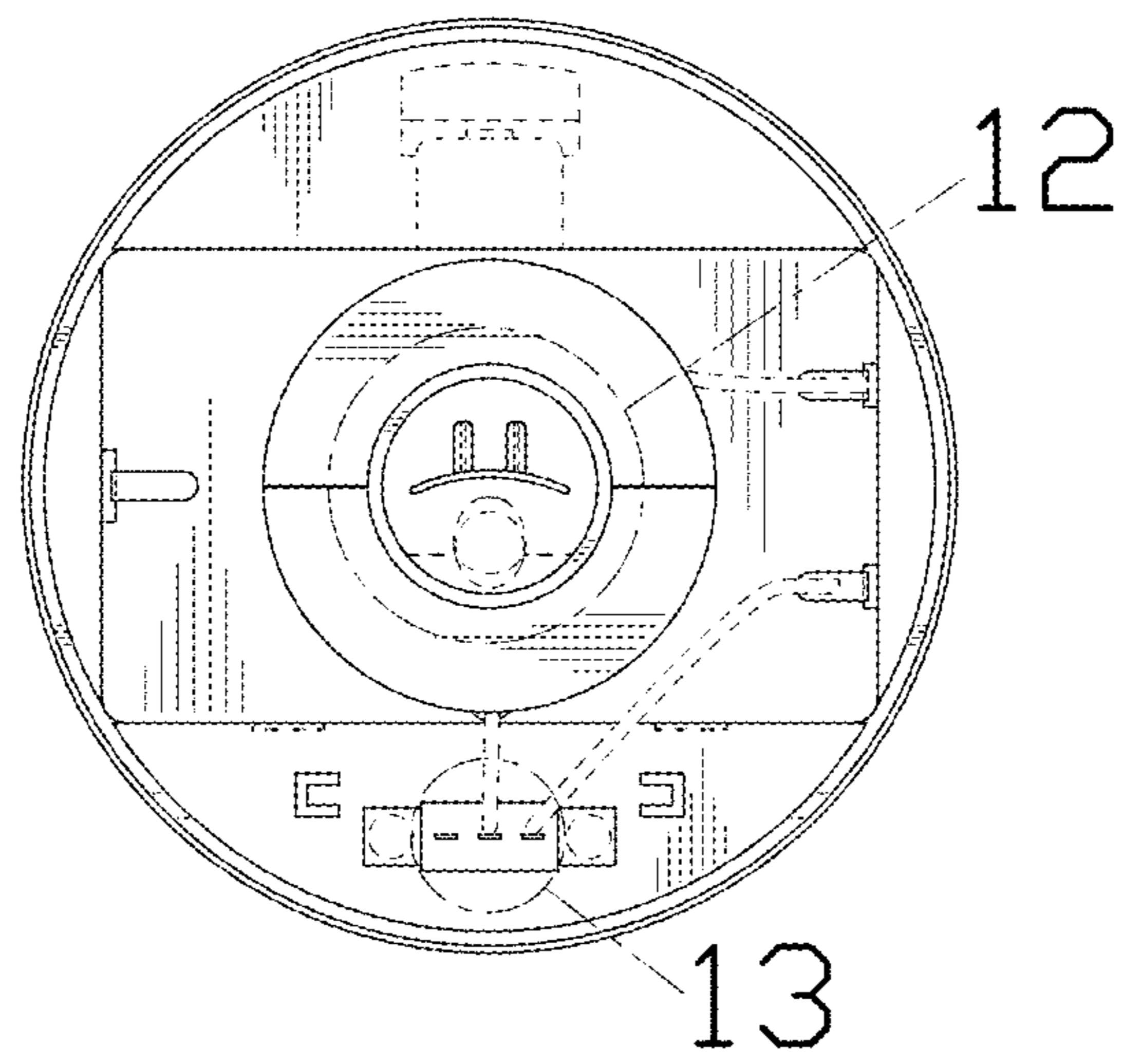


FIG. 7

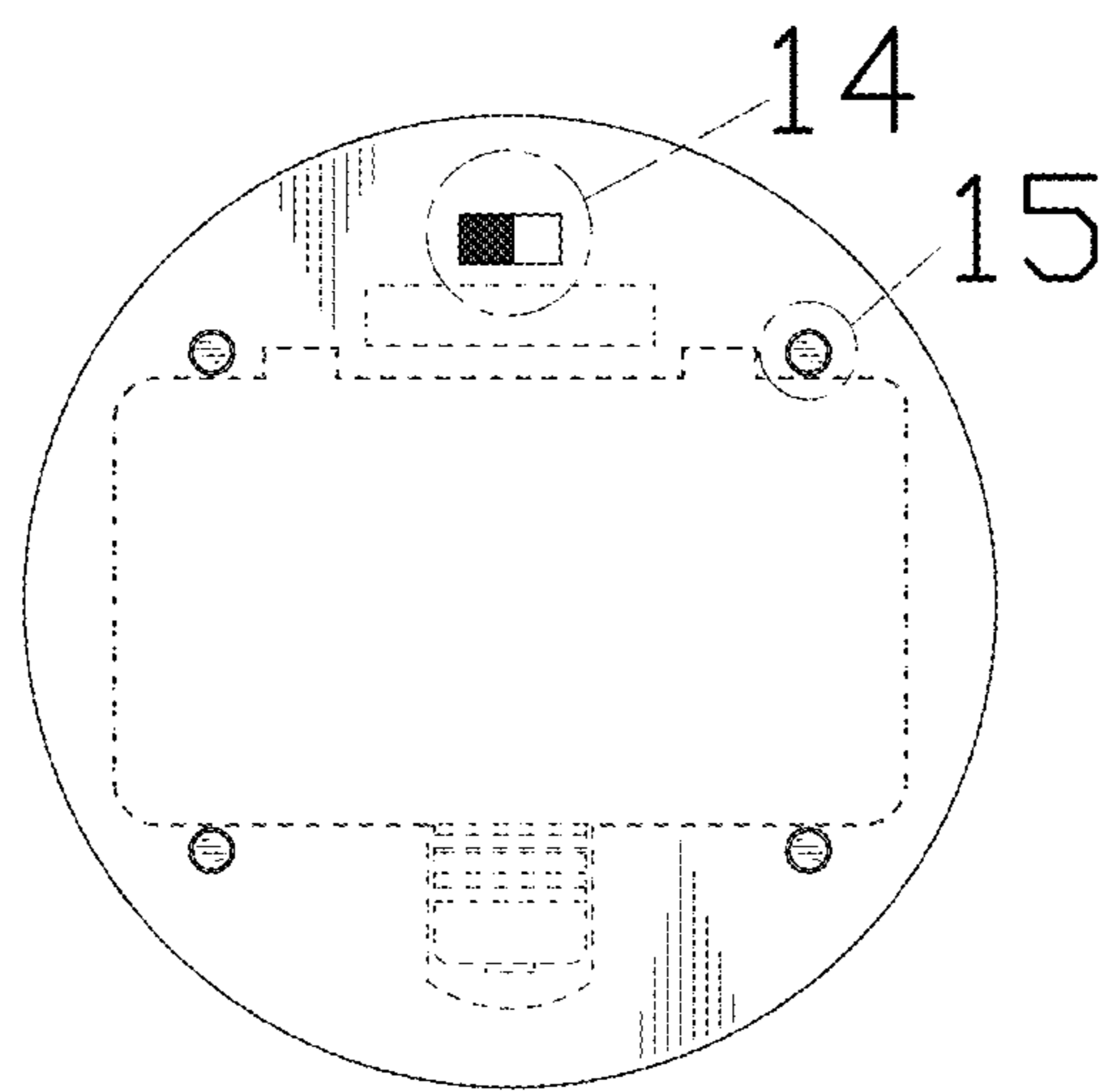


FIG. 8

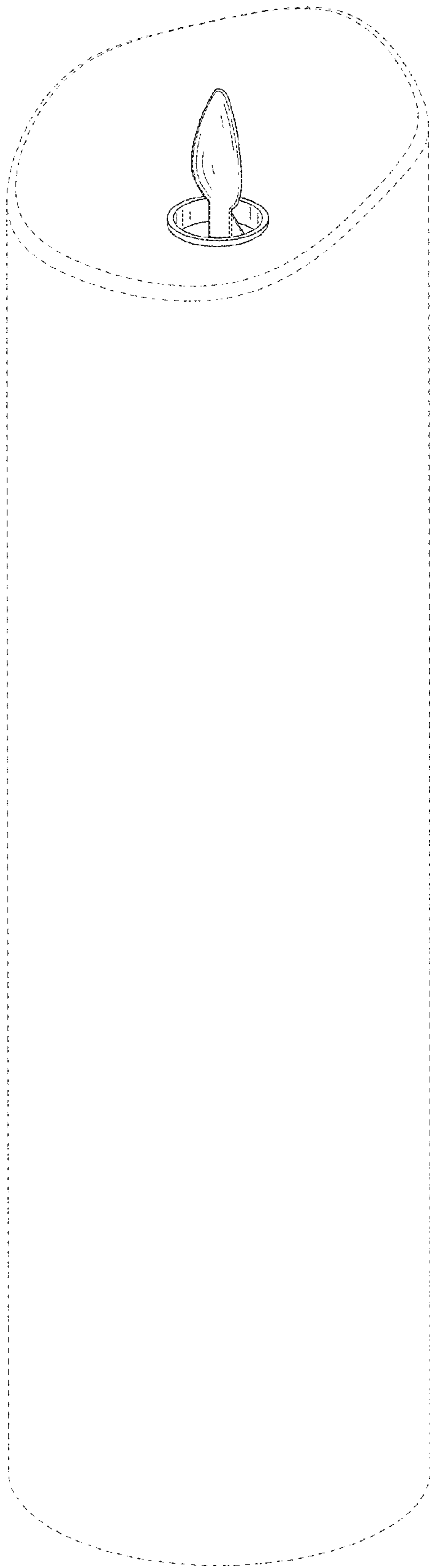


FIG. 9

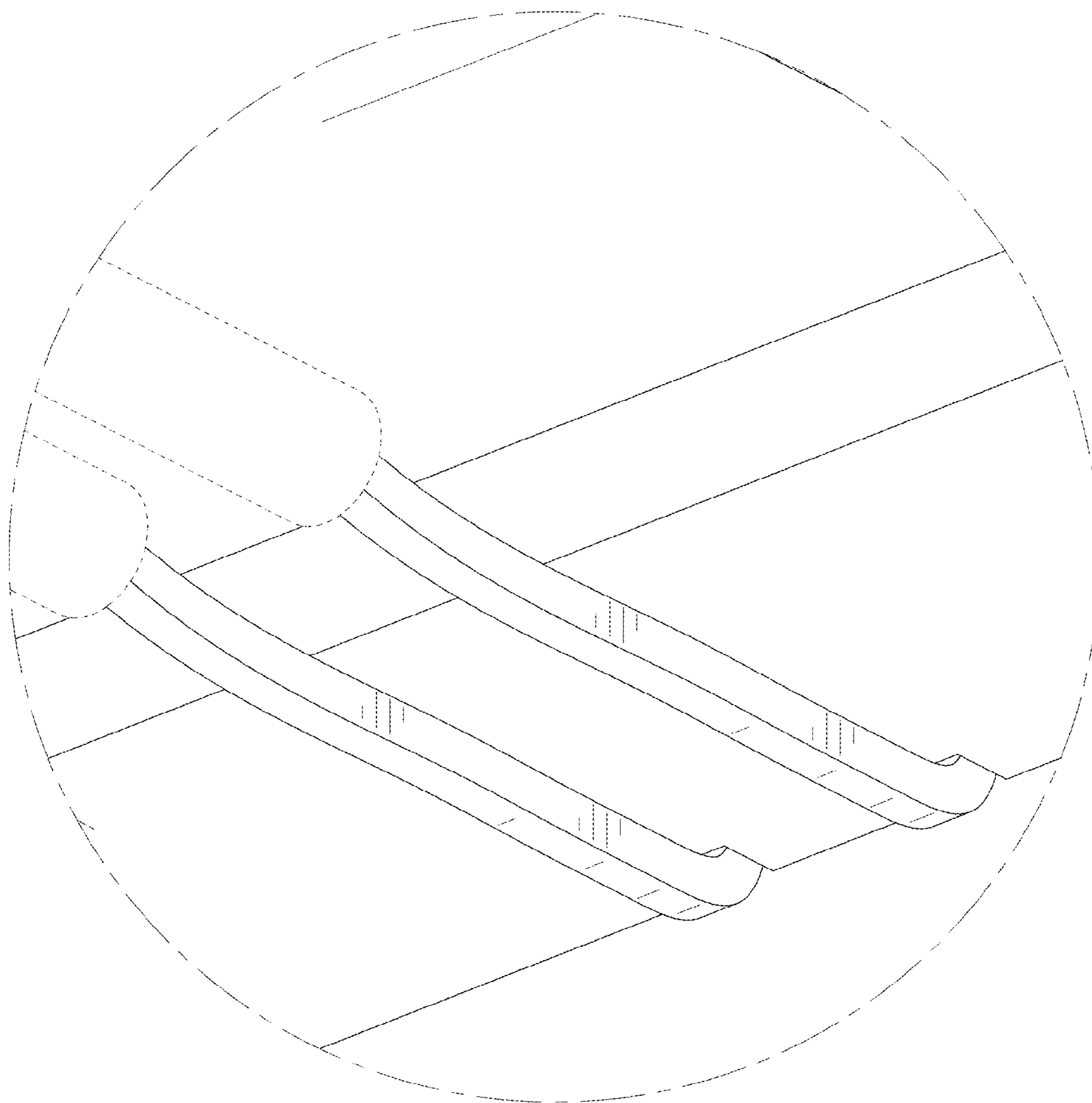


FIG. 10

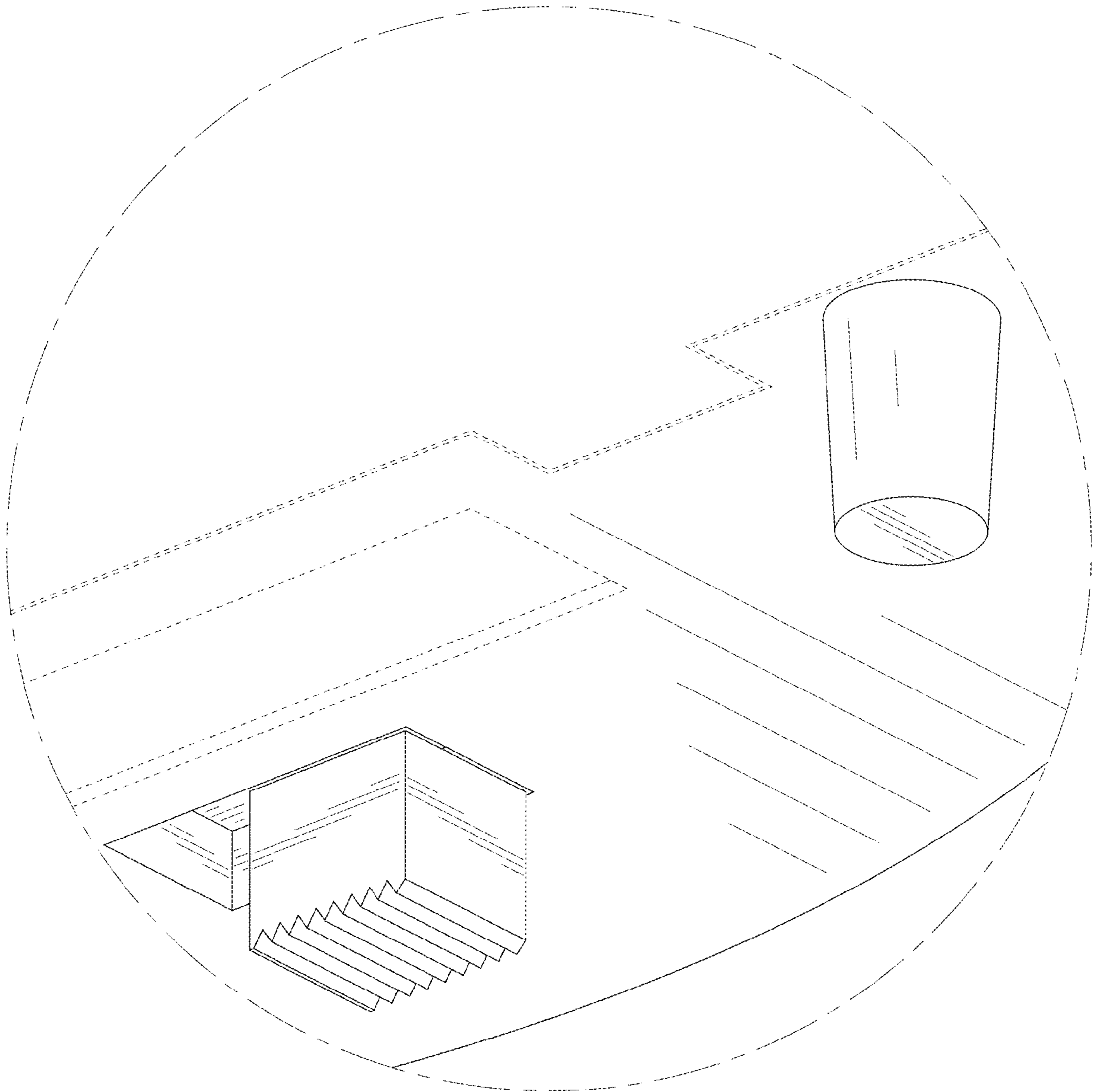


FIG. 11

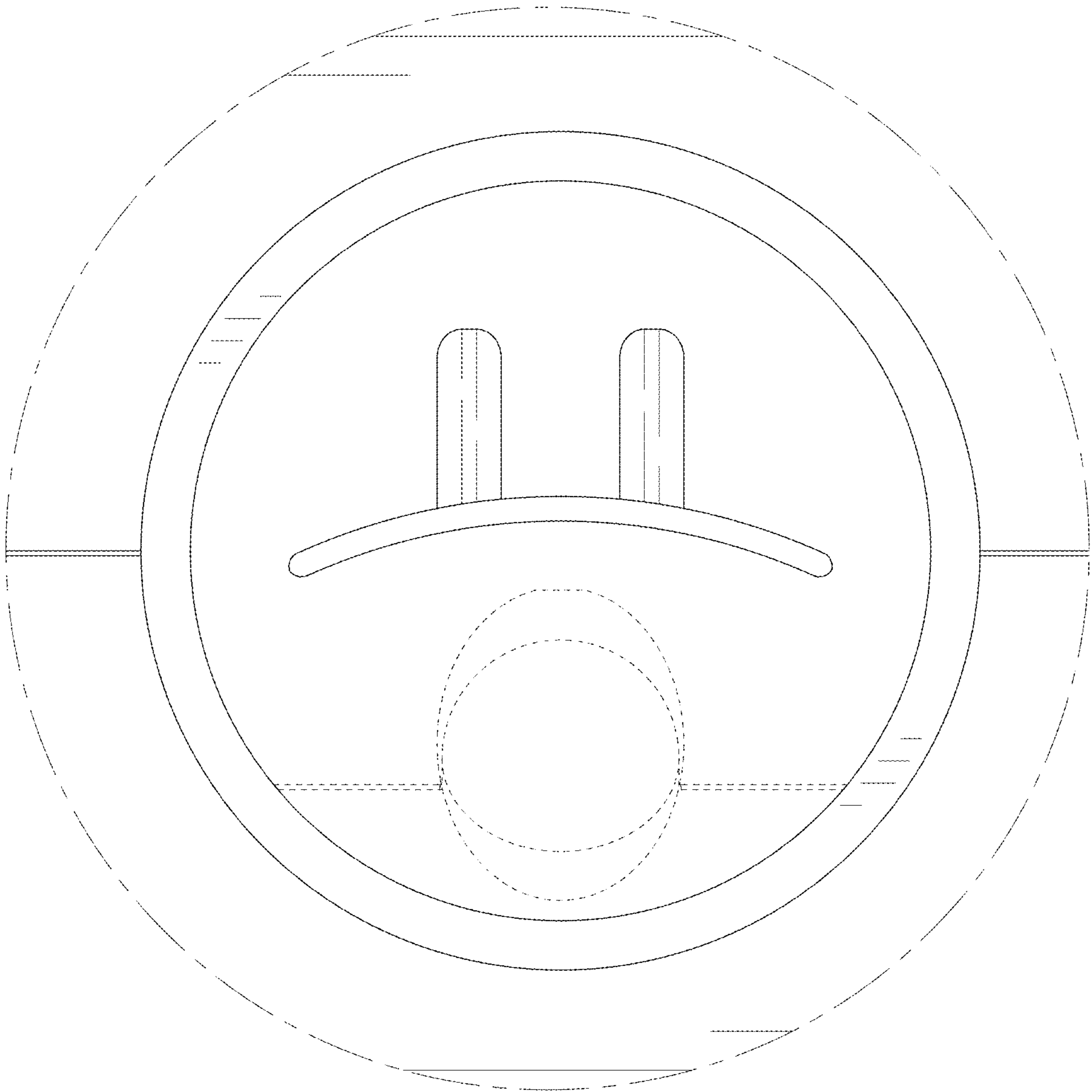


FIG. 12

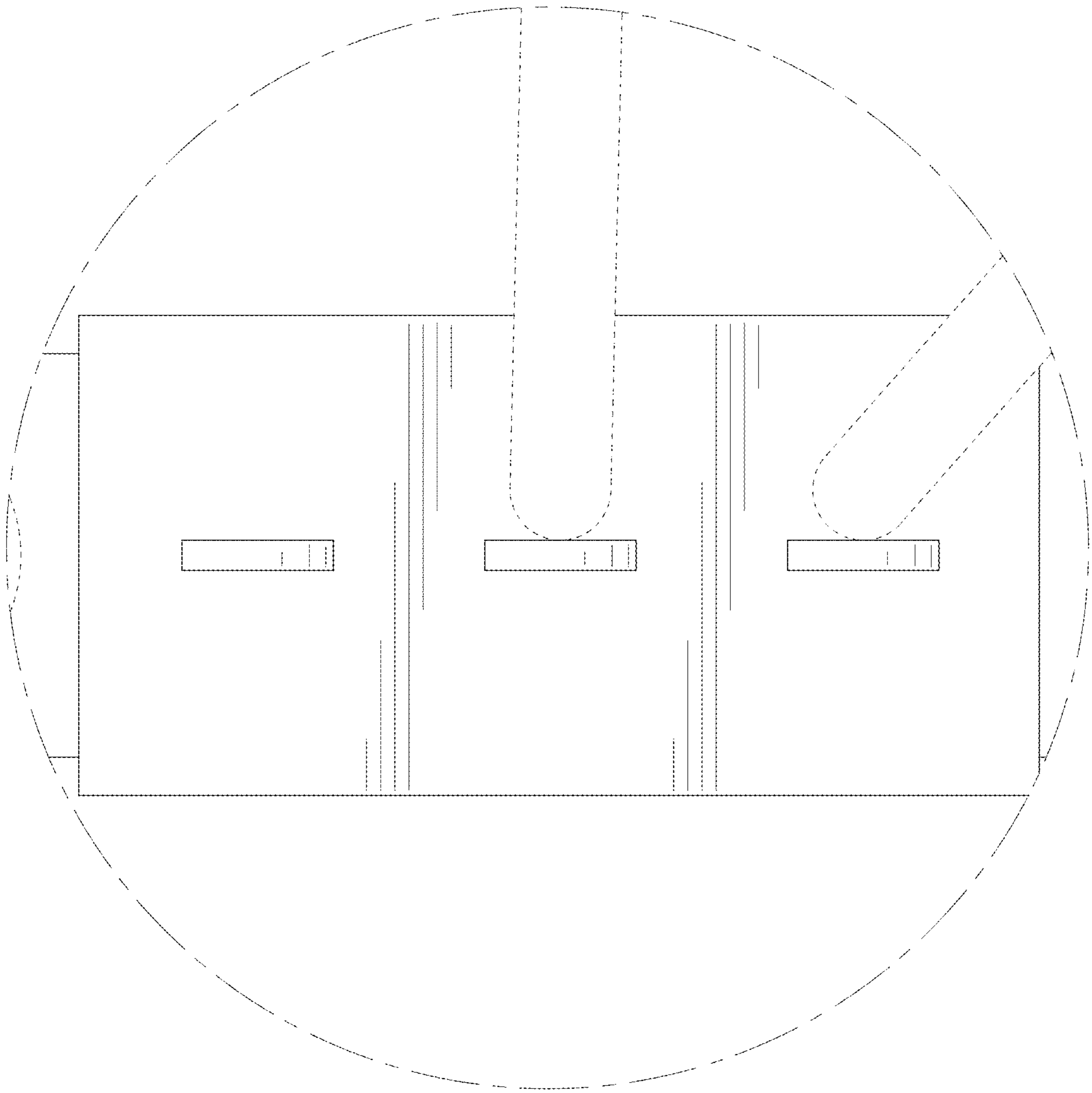


FIG. 13

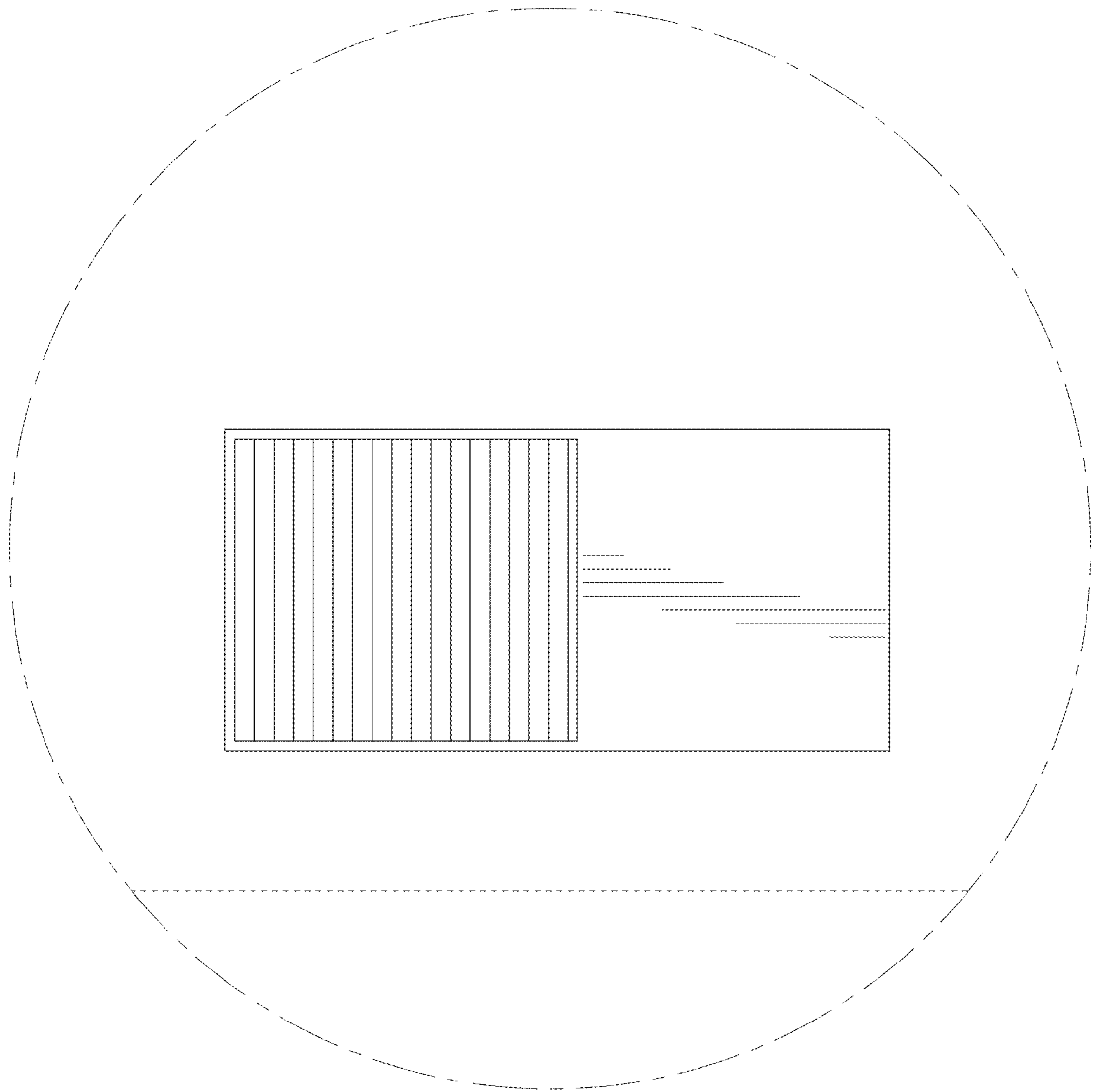


FIG. 14

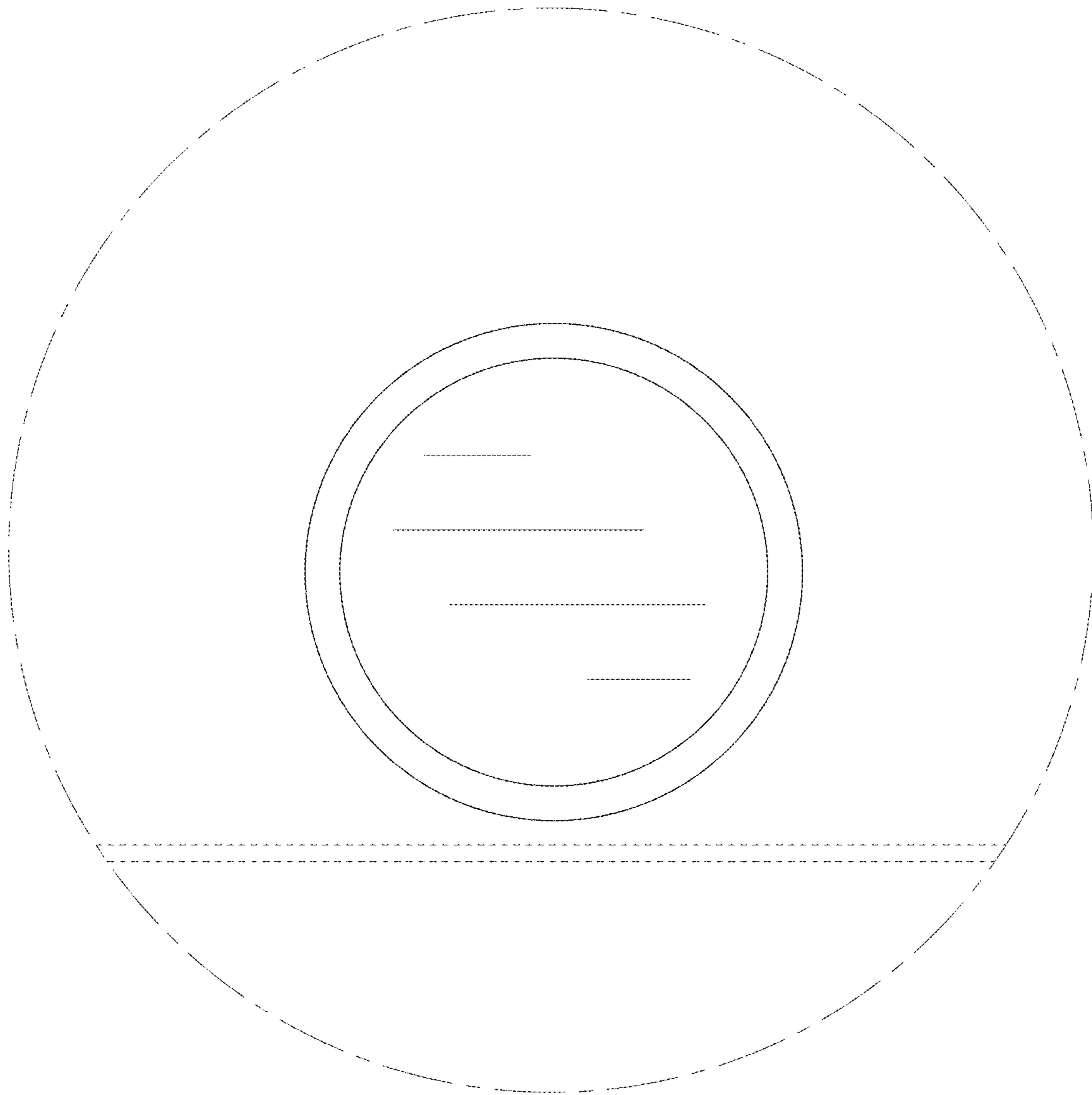


FIG. 15