



US00D971482S

(12) **United States Design Patent** (10) **Patent No.:** **US D971,482 S**  
**Lou** (45) **Date of Patent:** **\*\* Nov. 29, 2022**

(54) **FLOOR LAMP**

FOREIGN PATENT DOCUMENTS

(71) Applicant: **Huaxin technology innovation**  
**(Shenzhen) Co., Ltd, Shenzhen (CN)**

EM 009018849-0001 \* 5/2022  
GB 6206635 \* 5/2022

(72) Inventor: **Xinyong Lou, Shenzhen (CN)**

OTHER PUBLICATIONS

(\*\*) Term: **15 Years**

Adesso 3116-01 USB & AC Charging Station Floor Night Lamp. Date First Available Feb. 17, 2017. Site visited Sep. 22, 2022. [https://www.amazon.com/Adesso-3116-01-Charging-Station-Floor/dp/B06WP88T1F/ref=sr\_1\_4?crd=22HEUYL7JDQW3&keywords=round+top+floor+lamp&qid=1663865585&s=hi&sprefix=round+top+floor+lamp%2Ctools%2C89&sr=1-4 (Year: 2017).\*

(21) Appl. No.: **29/837,803**

(22) Filed: **May 9, 2022**

(51) **LOC (13) Cl.** ..... **26-05**

(52) **U.S. Cl.**  
USPC ..... **D26/93**

(58) **Field of Classification Search**  
USPC ... D26/1, 24, 51, 58, 63, 67, 72, 88, 93, 94,  
D26/96, 101, 104-110, 112, 113, 118;  
D6/661, 673, 675, 675.1; D11/131  
CPC ..... F21S 6/00; F21S 6/002; F21S 8/00; F21V  
21/02; F21W 2131/10; F21W 2131/30  
See application file for complete search history.

(Continued)

*Primary Examiner* — Wendy L Arminio  
*Assistant Examiner* — Maheen Khurshid  
(74) *Attorney, Agent, or Firm* — Daniel M. Cohn;  
Howard M. Cohn

(57) **CLAIM**

The ornamental design for a floor lamp, as shown and described.

**DESCRIPTION**

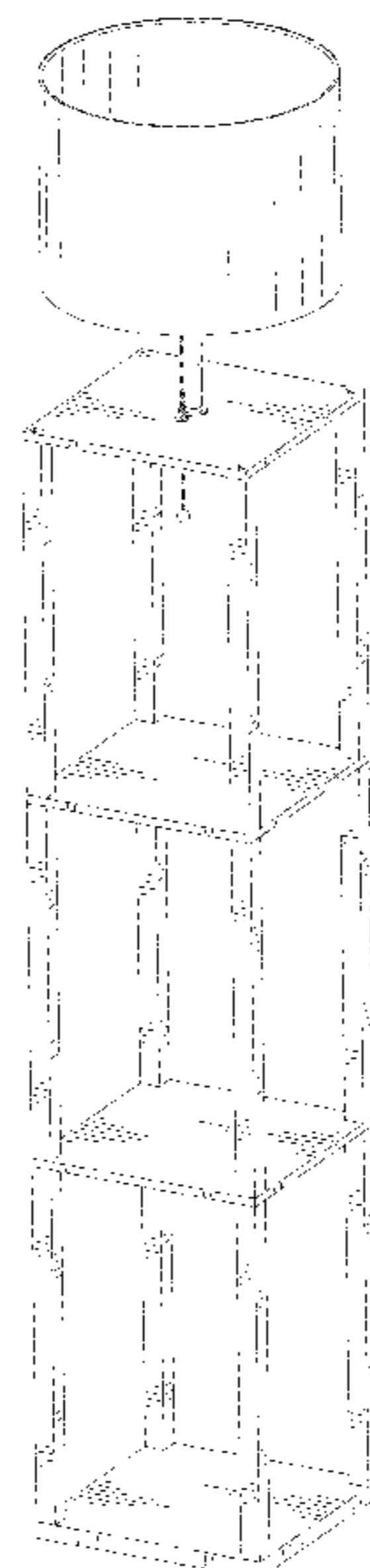
(56) **References Cited**

U.S. PATENT DOCUMENTS

D212,641 S \* 11/1968 Mok et al. .... D26/93  
3,877,396 A \* 4/1975 Patterson ..... A47F 5/116  
211/186  
D241,101 S \* 8/1976 Kapnek ..... D6/661  
D294,542 S \* 3/1988 Hill ..... D6/673  
4,940,150 A \* 7/1990 Spengler ..... A47B 87/0223  
211/188  
D328,956 S \* 8/1992 Leonard ..... D11/131  
D387,226 S \* 12/1997 Dardashti ..... D6/675.1  
D403,175 S \* 12/1998 Dardashti ..... D26/58  
D648,058 S \* 11/2011 Chen ..... D26/110  
D670,420 S 11/2012 Hui  
D934,487 S 10/2021 Yeh  
2014/0118995 A1 \* 5/2014 Chen ..... F21V 33/0012  
362/127

FIG. 1 is a perspective view of a floor lamp showing my new design;  
FIG. 2 is another perspective view thereof;  
FIG. 3 is a front elevational view thereof;  
FIG. 4 is a rear elevational view thereof;  
FIG. 5 is a left side elevational view thereof;  
FIG. 6 is a right side elevational view thereof;  
FIG. 7 is a top plan view thereof;  
FIG. 8 is a bottom plan view thereof;  
FIG. 9 is an enlarged view of portion 9 shown in FIG. 2; and,  
FIG. 10 is an enlarged view of portion 10 shown in FIG. 2.  
The dash-dash broken lines in the drawings depict portions of the floor lamp that form no part of the claimed design. The dot-dash broken lines in the drawings depict the boundary of the enlarged portion and form no part of the claimed design.

**1 Claim, 10 Drawing Sheets**



(56)

**References Cited**

## OTHER PUBLICATIONS

Brightech Maxwell Charger—Modern Shelf Floor Lamp. Date First Available Feb. 26, 2016. Site visited Sep. 22, 2022. [[https://www.amazon.com/Brightech-Maxwell-Charging-Bedrooms-Electric/dp/B07D55SVQ7/ref=sr\\_1\\_148?crd=22HEUYL7JDQW3&keywords=round%2Btop%2Bfloor%2Blamp&qid=1663865998&s=hi&srefix=round%2Btop%2Bfloor%2Blamp%2Ctools%2C89&sr=1-148&th=1](https://www.amazon.com/Brightech-Maxwell-Charging-Bedrooms-Electric/dp/B07D55SVQ7/ref=sr_1_148?crd=22HEUYL7JDQW3&keywords=round%2Btop%2Bfloor%2Blamp&qid=1663865998&s=hi&srefix=round%2Btop%2Bfloor%2Blamp%2Ctools%2C89&sr=1-148&th=1)] (Year: 2016).\*

ATAMIN Alvis Floor Lamp with Shelves. Date First Available Jul. 6, 2021. Site visited Sep. 22, 2022. [[https://www.amazon.com/ATAMIN-Contemporary-Minimalist-Apartment-Essentials/dp/B095XQ2KV8/ref=sr\\_1\\_190?crd=22HEUYL7JDQW3&keywords=round%2Btop%2Bfloor%2Blamp&qid=1663870951&s=hi&srefix=round%2Btop%2Bfloor%2Blamp%2Ctools%2C89&sr=1-190&th=1](https://www.amazon.com/ATAMIN-Contemporary-Minimalist-Apartment-Essentials/dp/B095XQ2KV8/ref=sr_1_190?crd=22HEUYL7JDQW3&keywords=round%2Btop%2Bfloor%2Blamp&qid=1663870951&s=hi&srefix=round%2Btop%2Bfloor%2Blamp%2Ctools%2C89&sr=1-190&th=1)] (Year: 2021).\*

Rosen Garden Floor Lamp. Date First Available Jul. 17, 2020. Site visited Sep. 22, 2022. [[https://www.amazon.com/ROSEN-GARDEN-Standing-Furniture-Lighting/dp/B0895GZ9CH/ref=sr\\_1\\_199\\_sspa?crd=22HEUYL7JDQW3&keywords=round%2Btop%2Bfloor%2Blamp&qid=1663870951&s=hi&srefix=round%2Btop%2Bfloor%2Blamp%2Ctools%2C89&sr=1-199-spons&spLa=ZW5jcnIwdGVkUXVhbGImaWVyPUEzRE1CWTFDM0NTNUxVJmVuY3J5cHRIZElkPUEwMzM5ODAzU0VSRIVCQkhSQjdPjMvY3J5cHRIZEFkSWQ9QTA0ODY3ODAzVTIaUIIdSTUpaMVNSJndpZGdIdE5hbWU9c3BfYnRmJmFjdGlvbjljGIja1JIZGIyZWN0JmRvTm90TG9nQ2xpY2s9dHJlZQ&th=1](https://www.amazon.com/ROSEN-GARDEN-Standing-Furniture-Lighting/dp/B0895GZ9CH/ref=sr_1_199_sspa?crd=22HEUYL7JDQW3&keywords=round%2Btop%2Bfloor%2Blamp&qid=1663870951&s=hi&srefix=round%2Btop%2Bfloor%2Blamp%2Ctools%2C89&sr=1-199-spons&spLa=ZW5jcnIwdGVkUXVhbGImaWVyPUEzRE1CWTFDM0NTNUxVJmVuY3J5cHRIZElkPUEwMzM5ODAzU0VSRIVCQkhSQjdPjMvY3J5cHRIZEFkSWQ9QTA0ODY3ODAzVTIaUIIdSTUpaMVNSJndpZGdIdE5hbWU9c3BfYnRmJmFjdGlvbjljGIja1JIZGIyZWN0JmRvTm90TG9nQ2xpY2s9dHJlZQ&th=1)] (Year: 2020).\*

\* cited by examiner

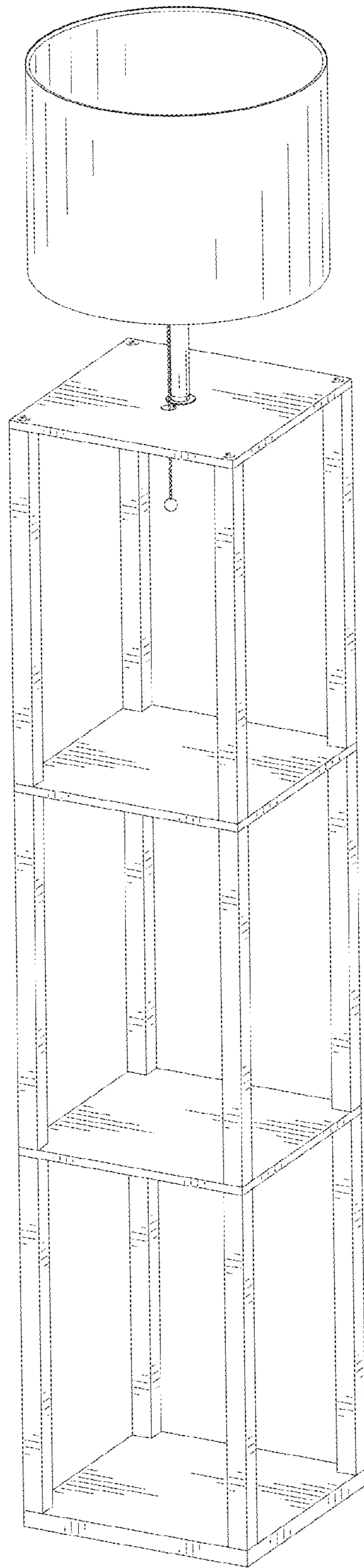


FIG. 1

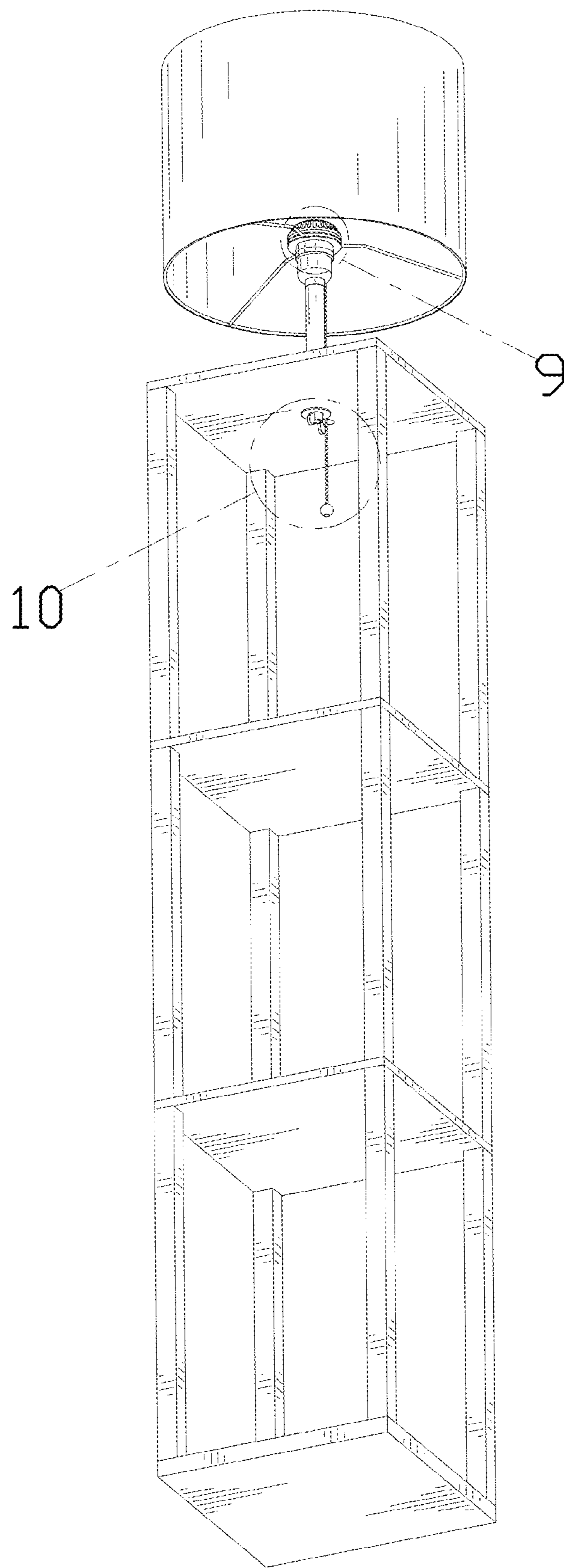


FIG. 2

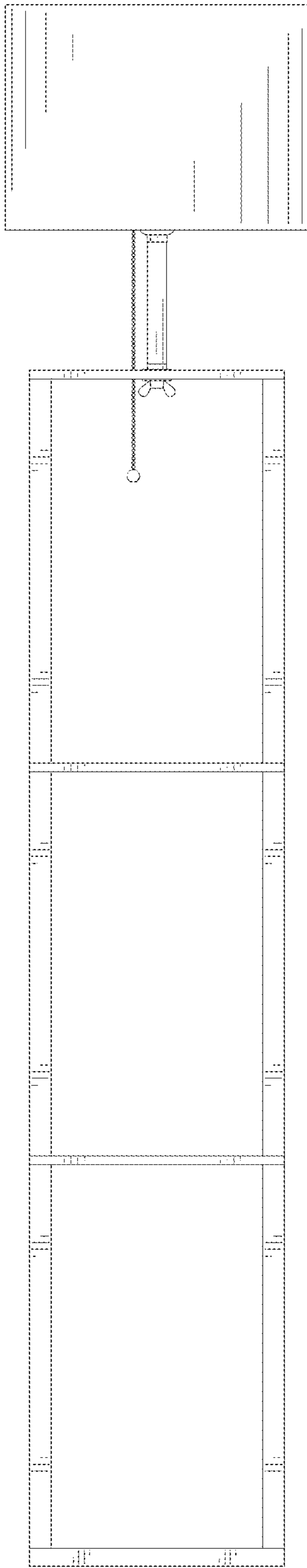


FIG. 3



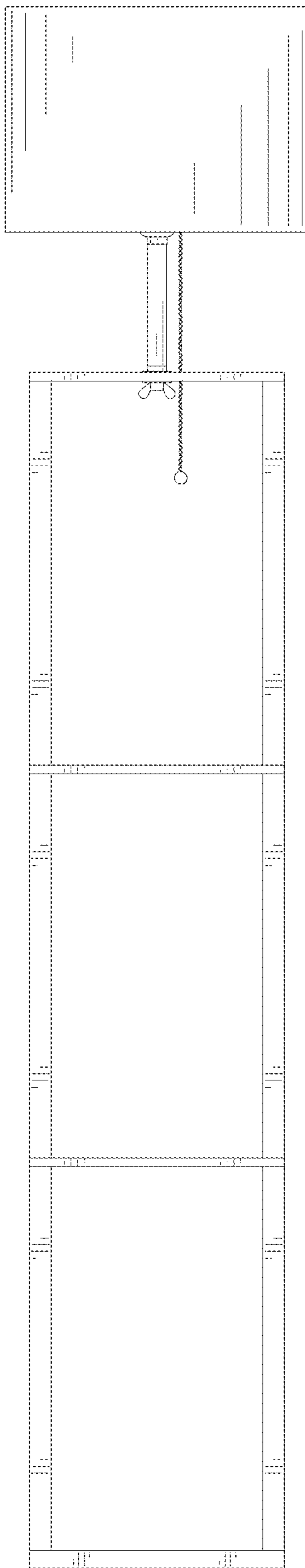


FIG. 4

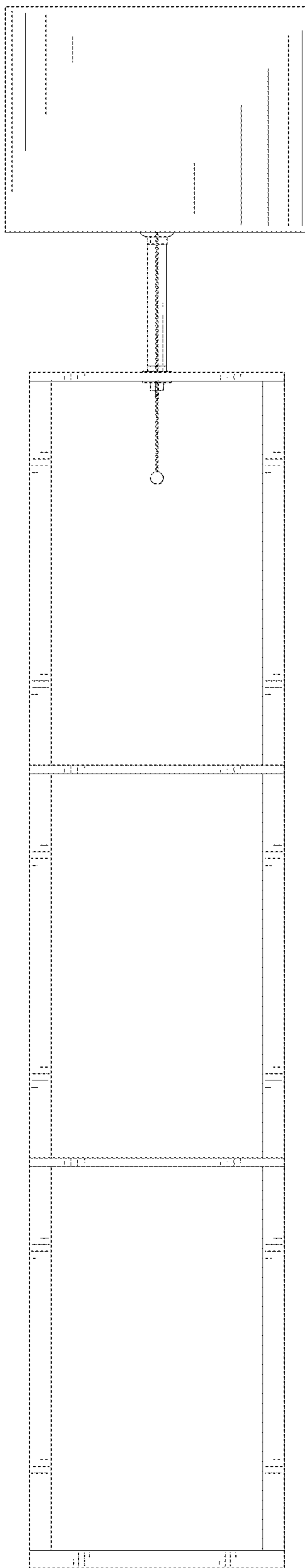


FIG. 5

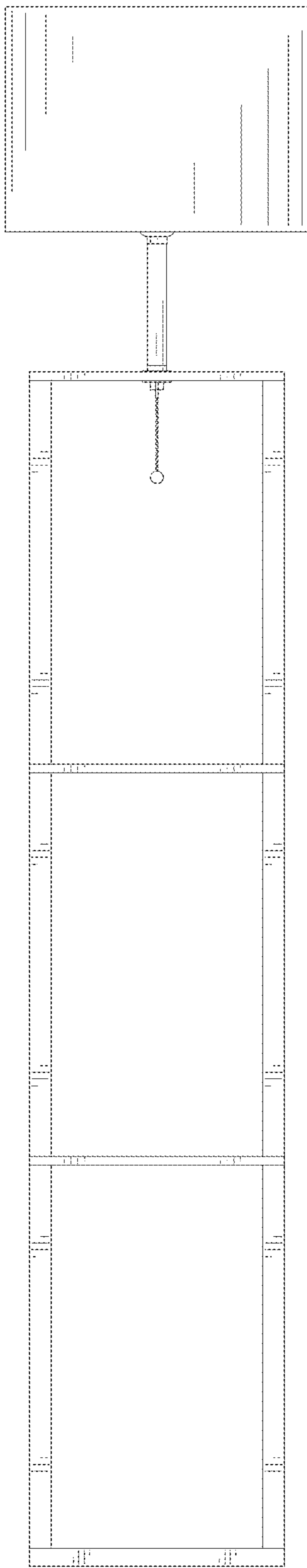


FIG. 6



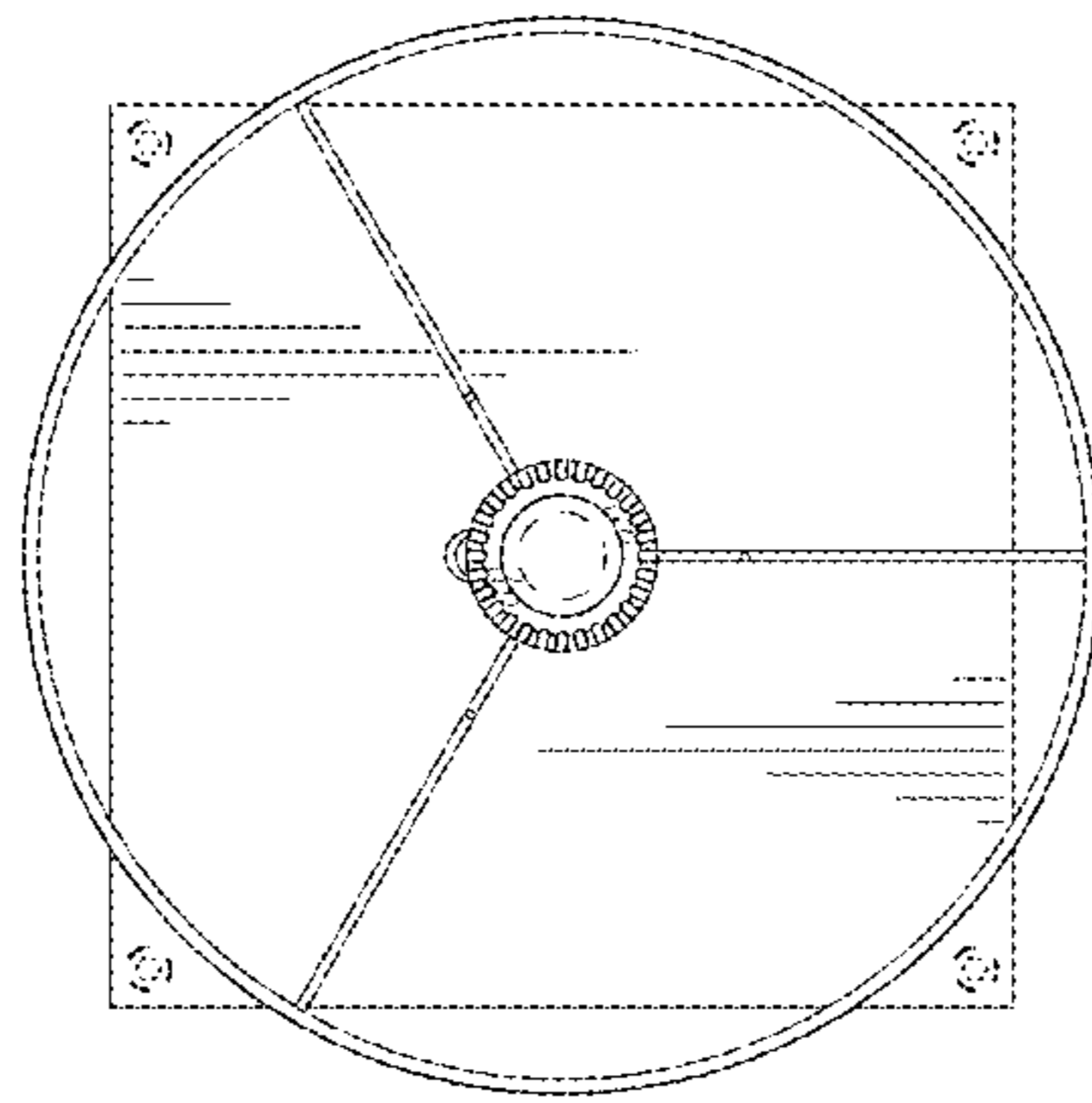


FIG. 7

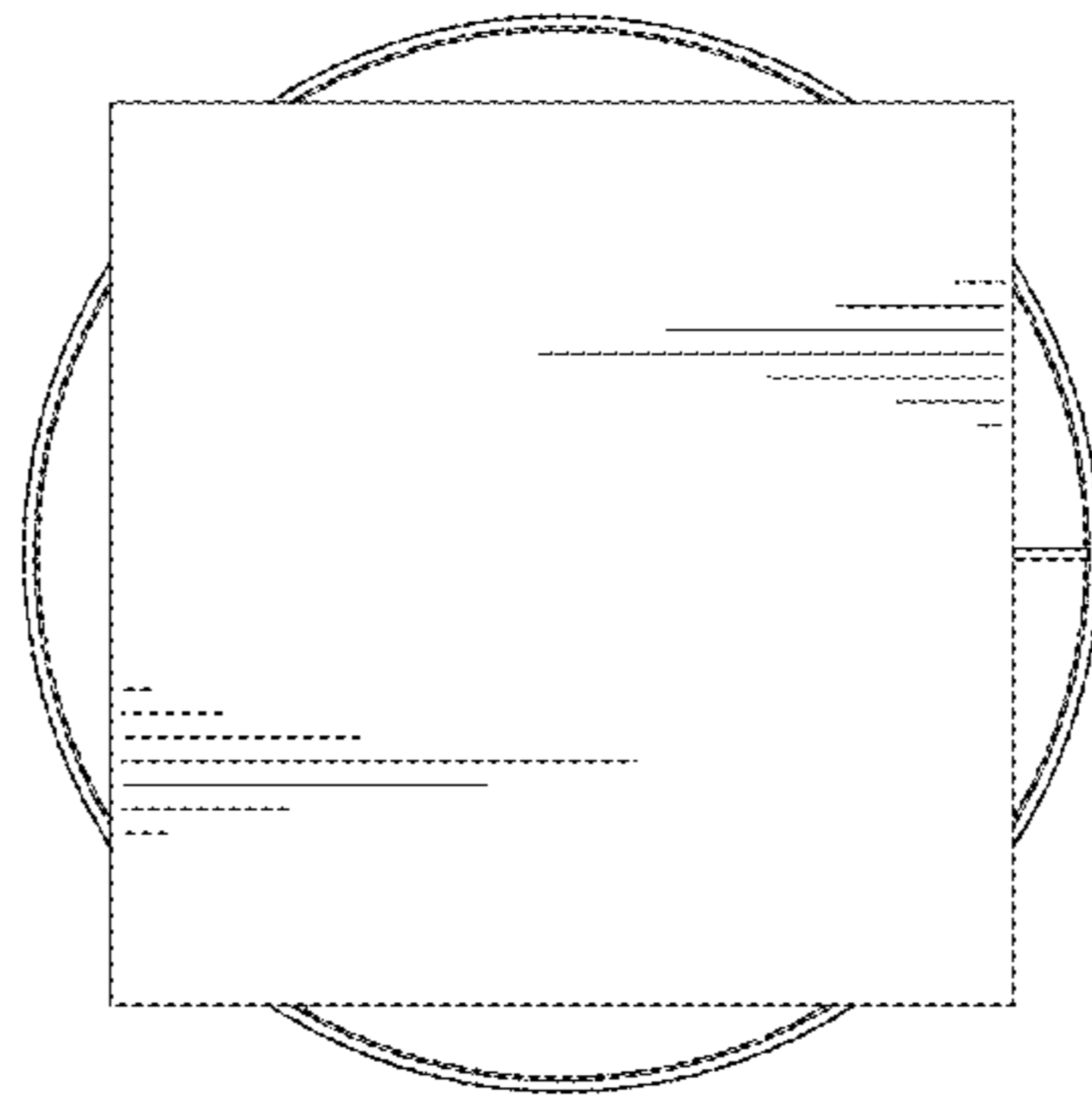


FIG. 8

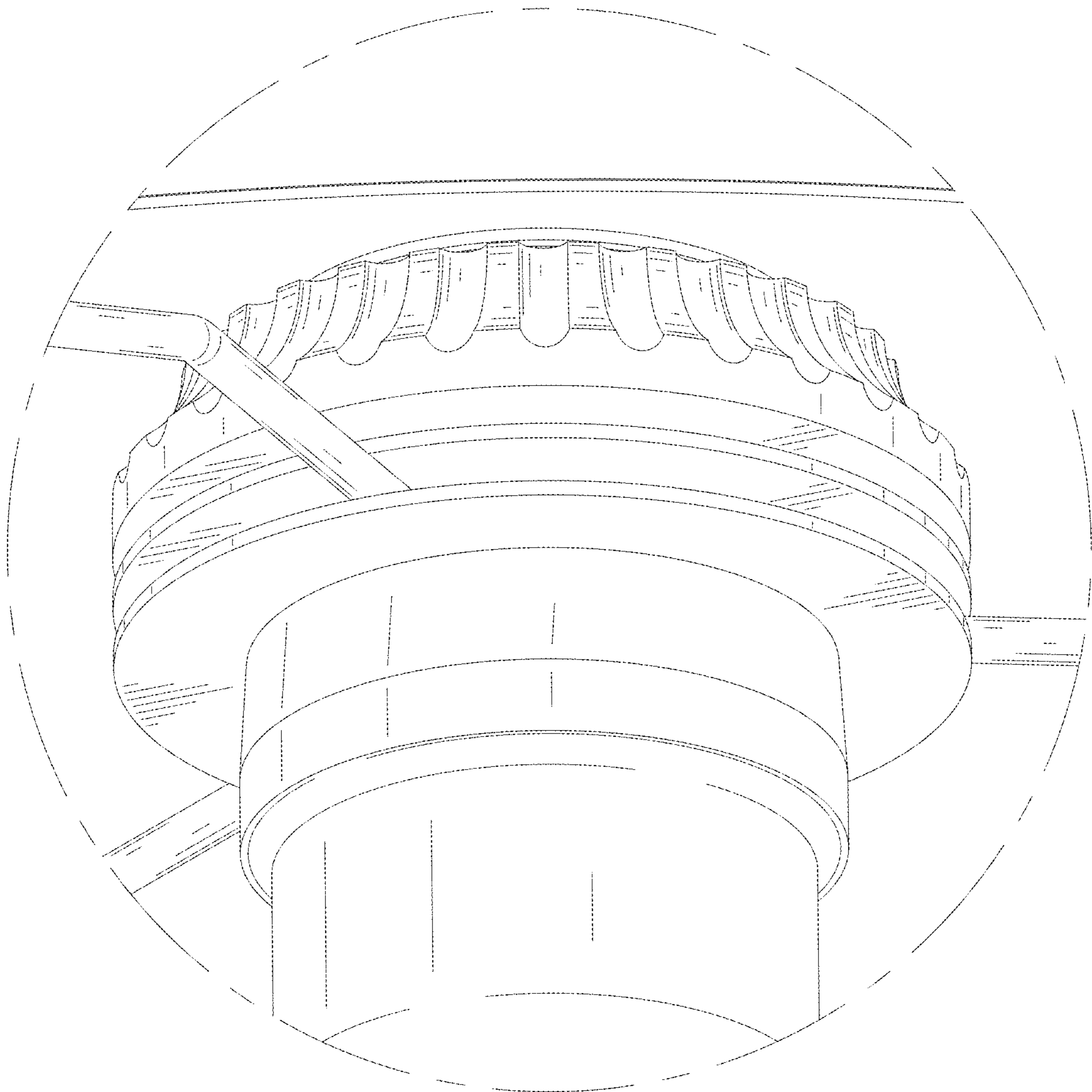


FIG. 9

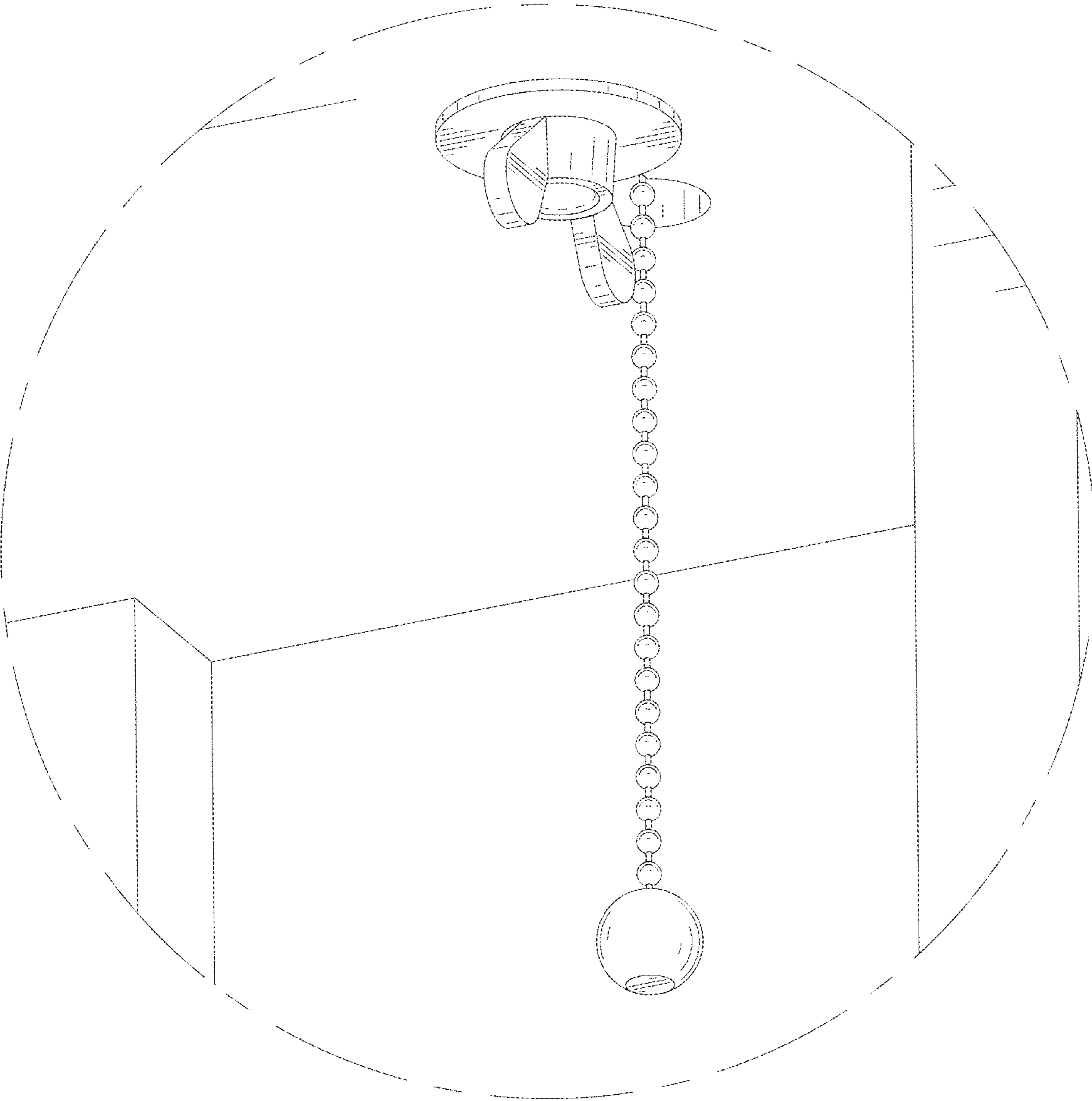


FIG. 10