



US00D971480S

(12) **United States Design Patent**  
**Sheng et al.**

(10) **Patent No.:** **US D971,480 S**

(45) **Date of Patent:** **\*\* Nov. 29, 2022**

(54) **DOWNLIGHT**

(71) Applicant: **Wonderful (HangZhou) Smart Home Co., Ltd.**, Hangzhou (CN)

(72) Inventors: **Chuanxin Sheng**, Hangzhou (CN); **Hao Lv**, Hangzhou (CN); **Pengcheng Huang**, Hangzhou (CN)

(\*\*) Term: **15 Years**

(21) Appl. No.: **29/789,582**

(22) Filed: **Sep. 30, 2021**

(30) **Foreign Application Priority Data**

Sep. 29, 2021 (CN) ..... 202130649068.3

(51) **LOC (13) Cl.** ..... **26-05**

(52) **U.S. Cl.**  
USPC ..... **D26/74**

(58) **Field of Classification Search**  
USPC ..... D26/74, 72, 75, 76, 77, 78, 85, 88, 89,  
D26/118, 138, 141  
CPC ..... F21V 7/06; F21V 21/044; F21V 21/047;  
F21S 8/02; F21S 8/026  
See application file for complete search history.

(56) **References Cited**

**U.S. PATENT DOCUMENTS**

- D640,819 S \* 6/2011 Pan ..... D26/74
- D702,867 S \* 4/2014 Kim ..... D26/88
- D713,585 S 9/2014 Van Lierde
- D767,809 S 9/2016 Gotz-Schafer
- D808,058 S 1/2018 Johnson
- D866,040 S \* 11/2019 Wu ..... D26/74
- D880,049 S \* 3/2020 Guercio ..... D26/118
- 10,801,681 B1 \* 10/2020 Chaimberg ..... F21V 21/03
- D907,273 S \* 1/2021 Wang ..... D26/74

- D925,806 S \* 7/2021 Xia ..... D26/85
- D946,807 S \* 3/2022 Hoshi ..... D26/74
- 2019/0093864 A1 \* 3/2019 Huang ..... F21V 29/70
- 2019/0226671 A1 \* 7/2019 Huang ..... F21V 7/04

(Continued)

*Primary Examiner* — Angela J Lee

(74) *Attorney, Agent, or Firm* — Rumit R. Kanakia

(57) **CLAIM**

The ornamental design for a downlight, as shown and described.

**DESCRIPTION**

FIG. 1 is a first perspective view of the first embodiment of a downlight showing my new design;

FIG. 2 is a second perspective view of the first embodiment thereof;

FIG. 3 is a front view of the first embodiment thereof;

FIG. 4 is a back view of the first embodiment thereof;

FIG. 5 is a left side view of the first embodiment thereof;

FIG. 6 is a right side view of the first embodiment thereof;

FIG. 7 is a top view of the first embodiment thereof;

FIG. 8 is a bottom view of the first embodiment thereof;

FIG. 9 is a first perspective view of the second embodiment of a downlight showing my new design;

FIG. 10 is a second perspective view of the second embodiment thereof;

FIG. 11 is a front view of the second embodiment thereof;

FIG. 12 is a back view of the second embodiment thereof;

FIG. 13 is a left side view of the second embodiment thereof;

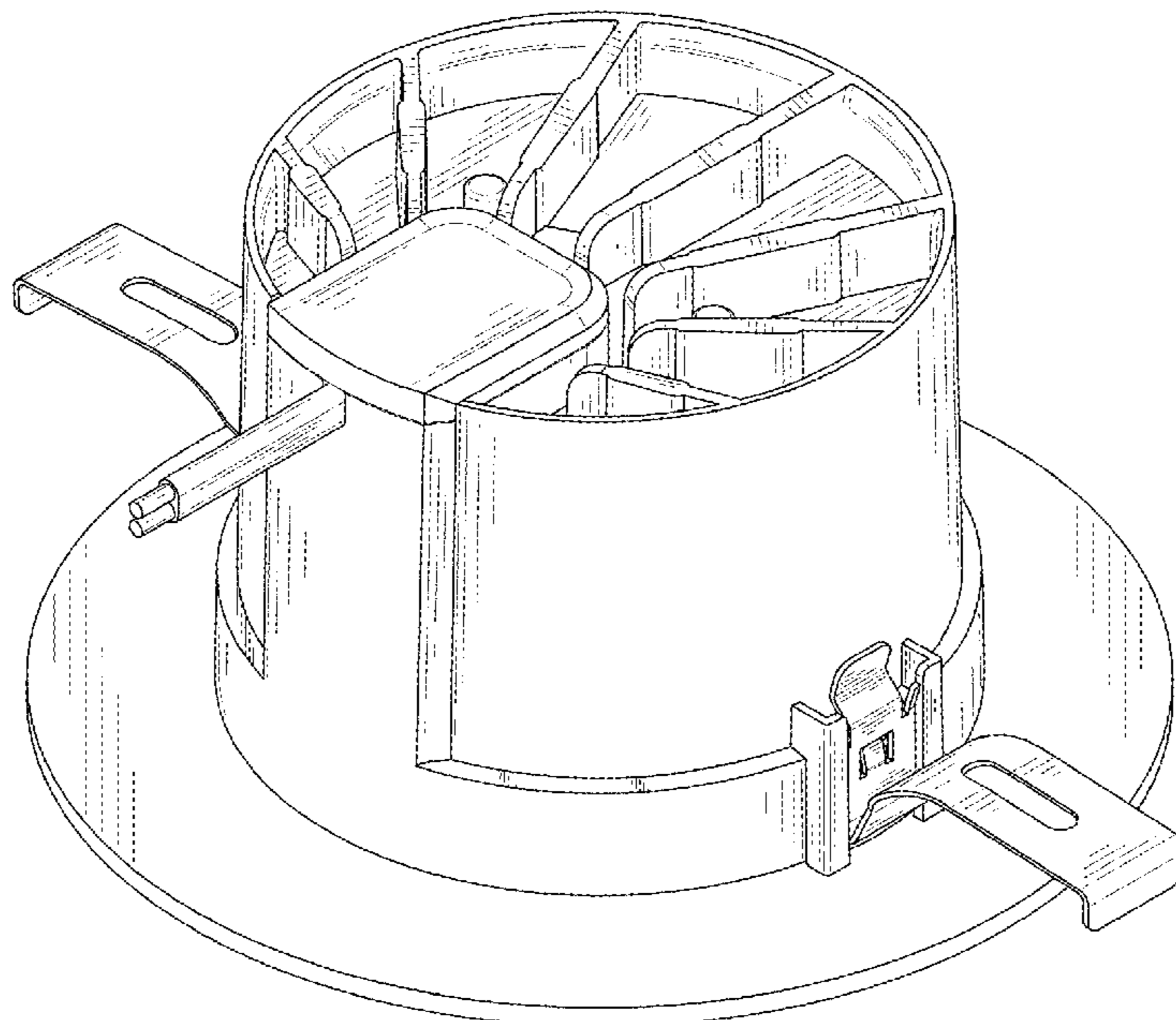
FIG. 14 is a right side view of the second embodiment thereof;

FIG. 15 is a top view of the second embodiment thereof;

FIG. 16 is a bottom view of the second embodiment thereof; and,

FIG. 17 is an enlarged view of the selected portion in FIG. 9.

**1 Claim, 17 Drawing Sheets**



(56)

**References Cited**

U.S. PATENT DOCUMENTS

2019/0234569 A1\* 8/2019 Zhan ..... F21V 23/008  
2020/0224857 A1\* 7/2020 Liang ..... F21V 14/06

\* cited by examiner

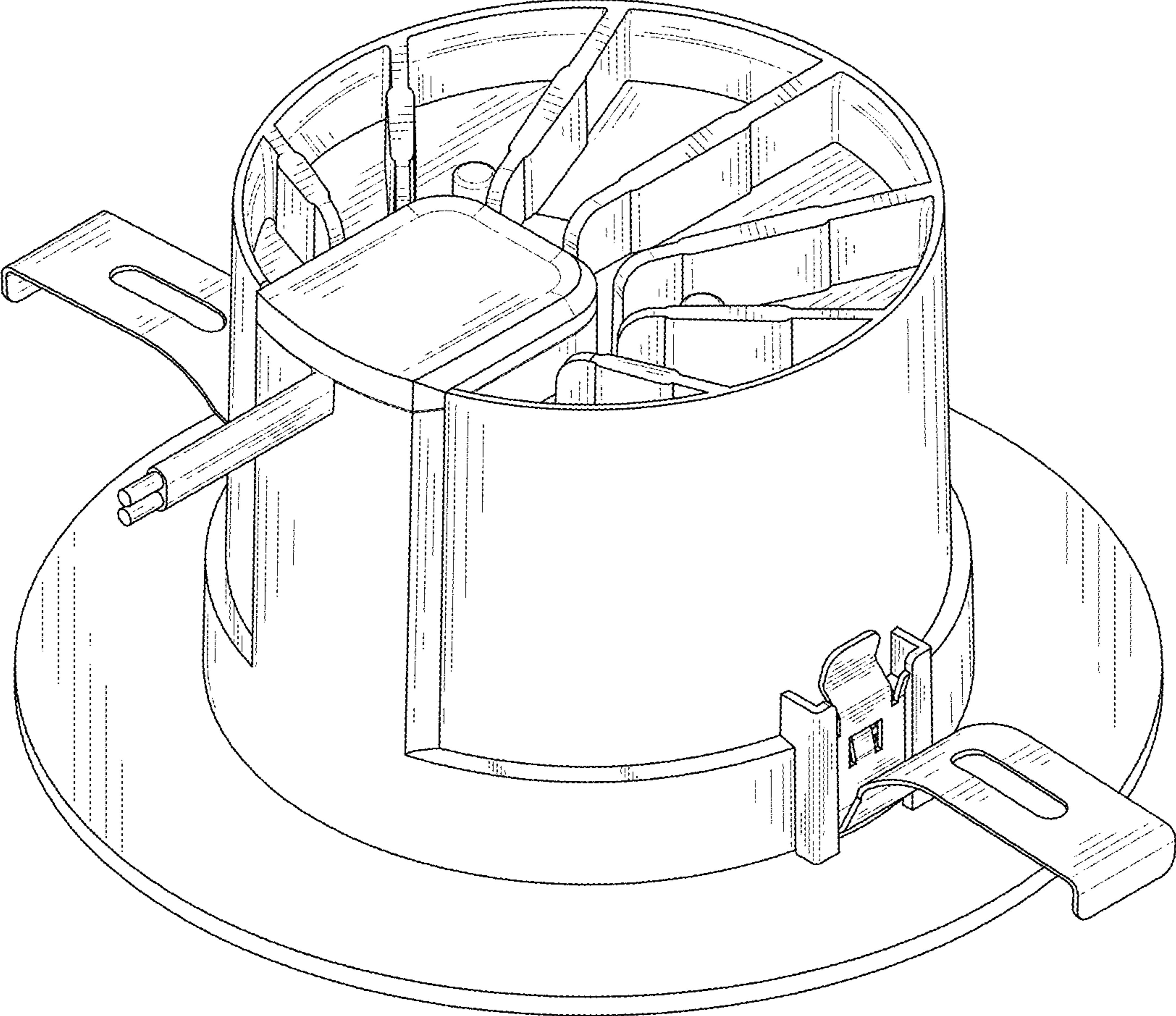


FIG. 1

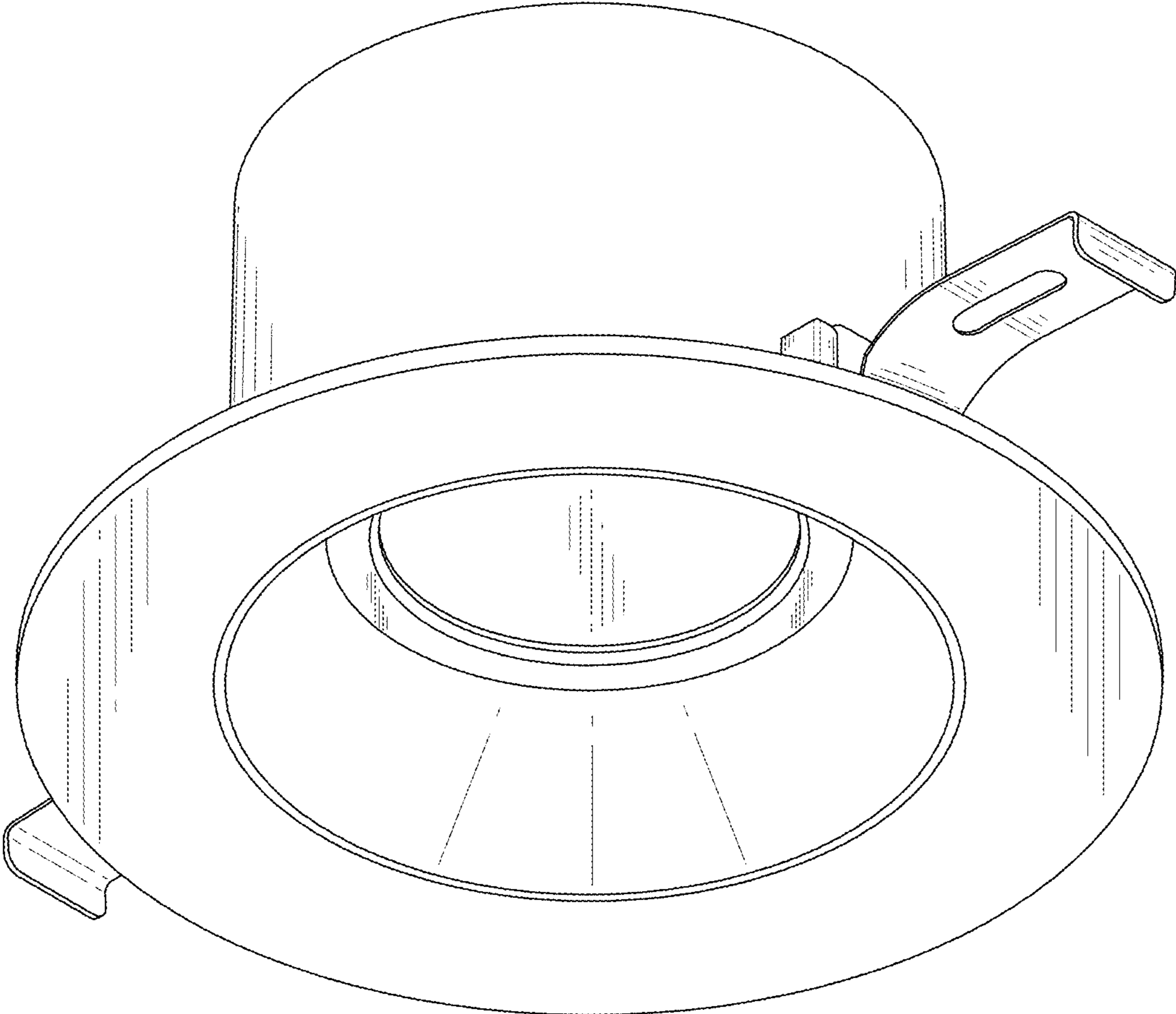


FIG. 2

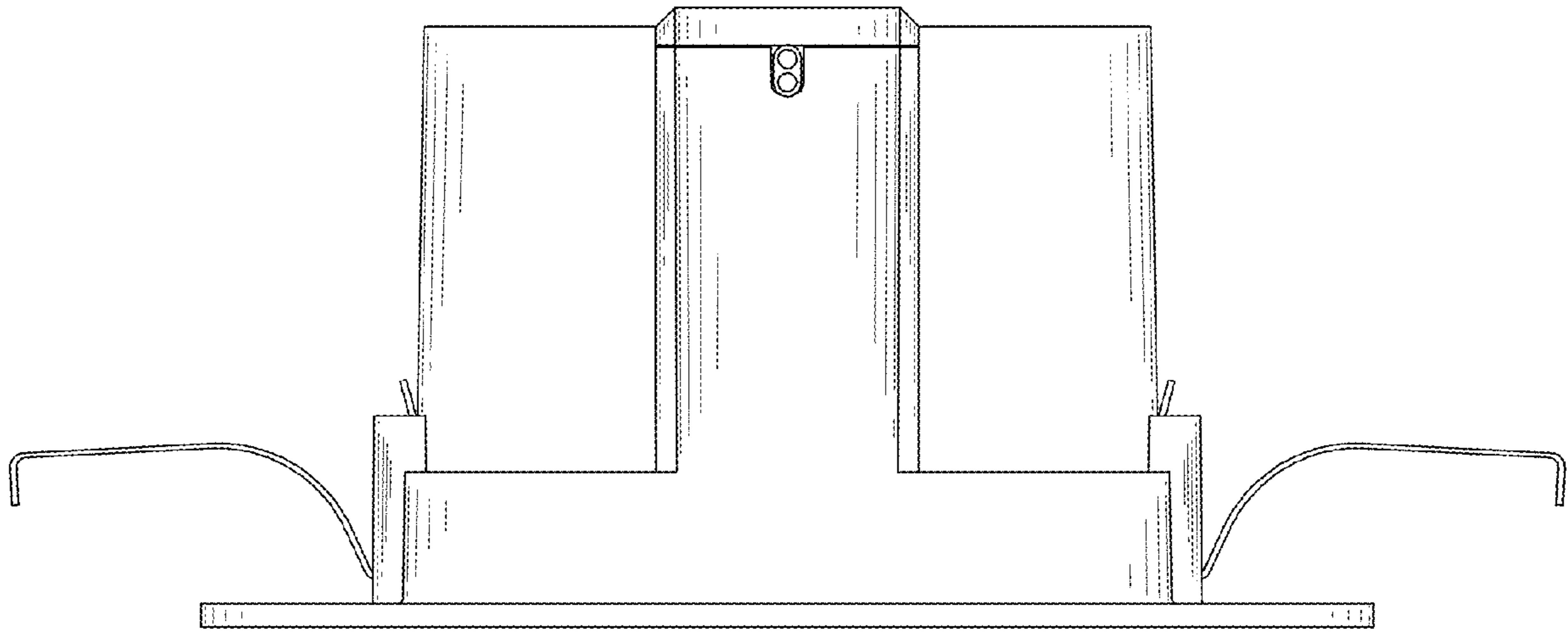


FIG. 3

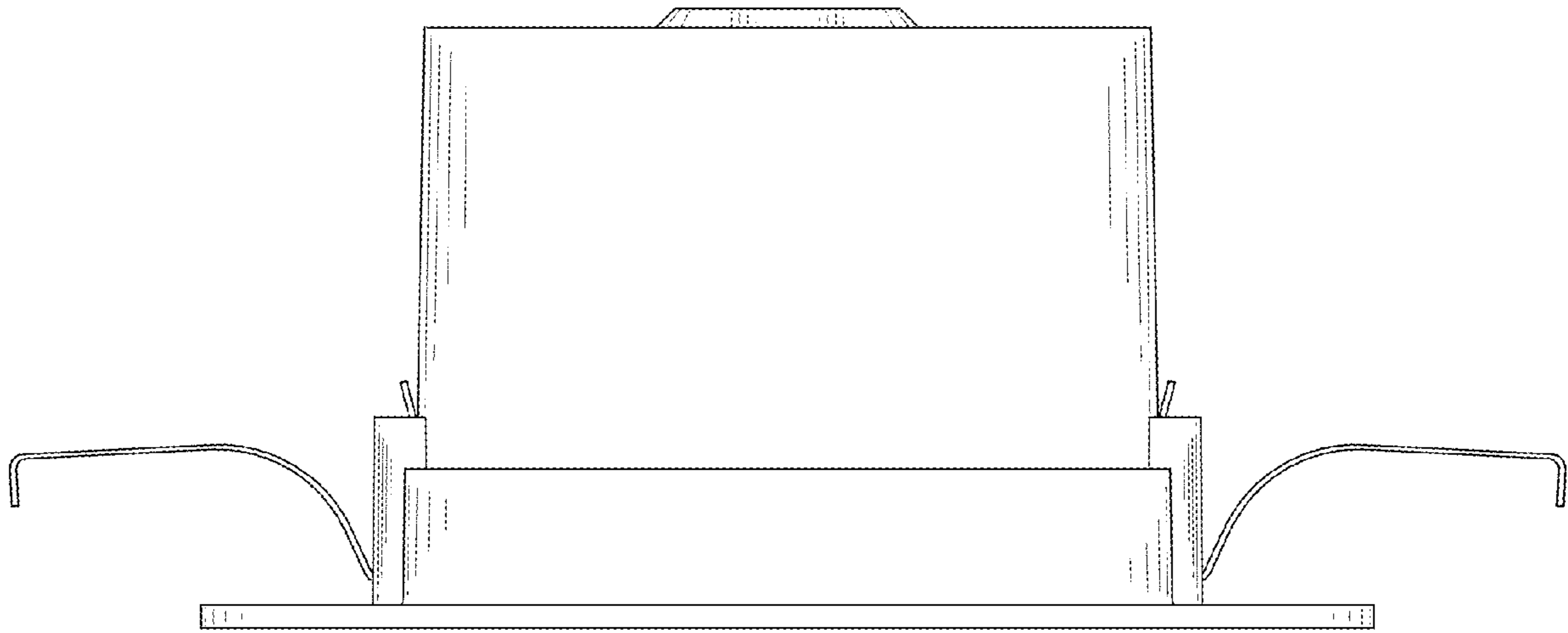


FIG. 4



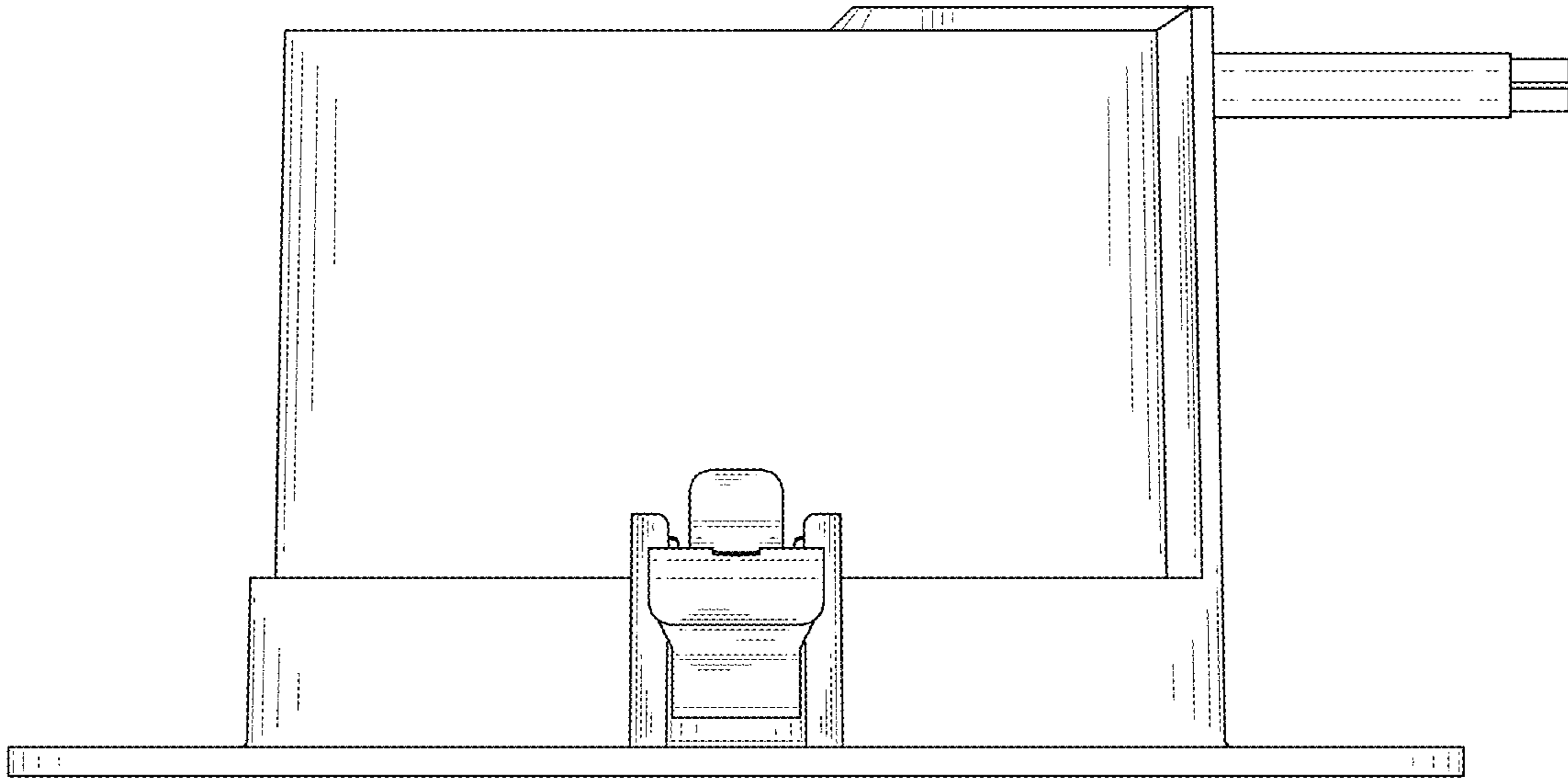


FIG. 5

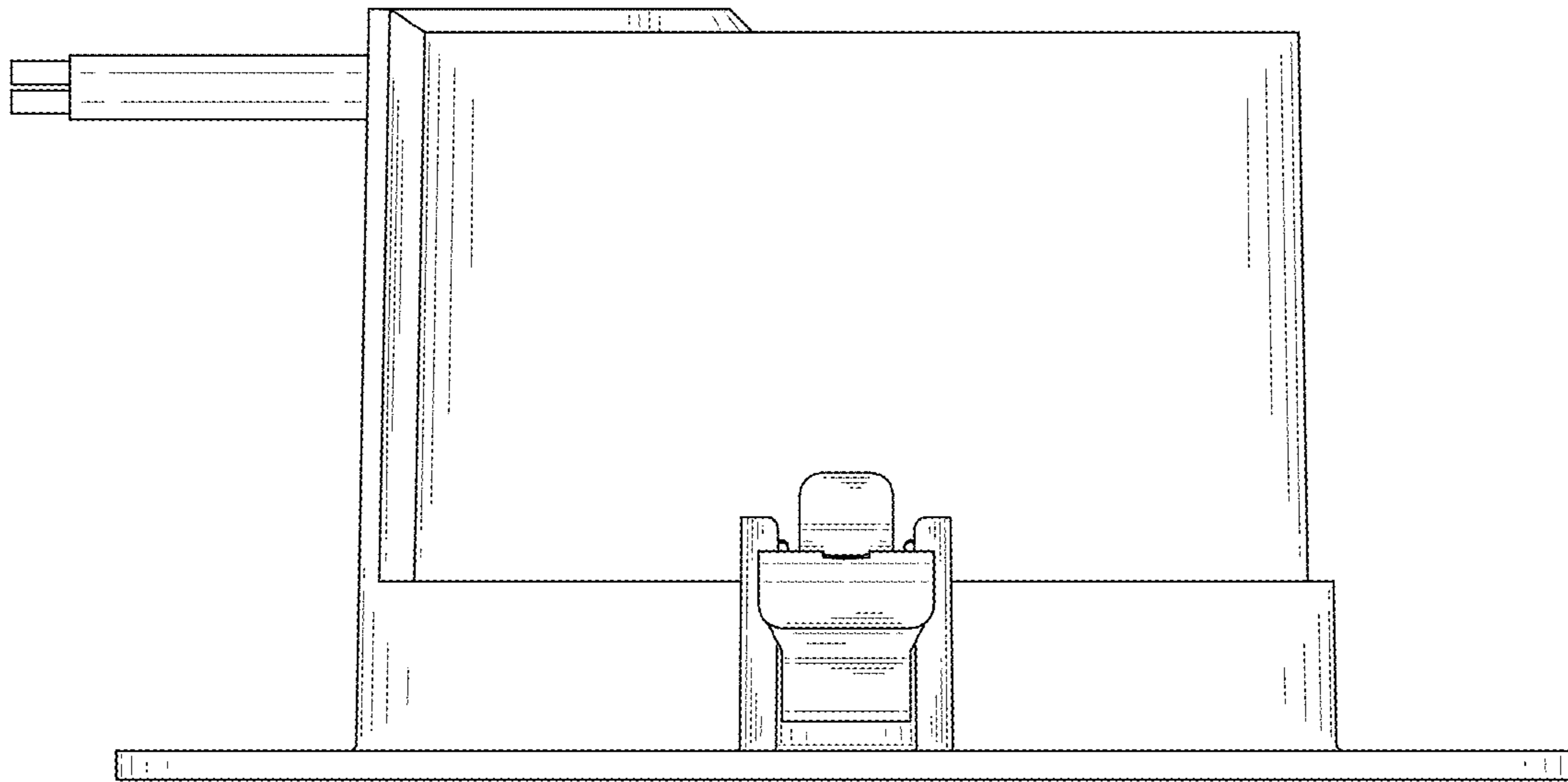


FIG. 6



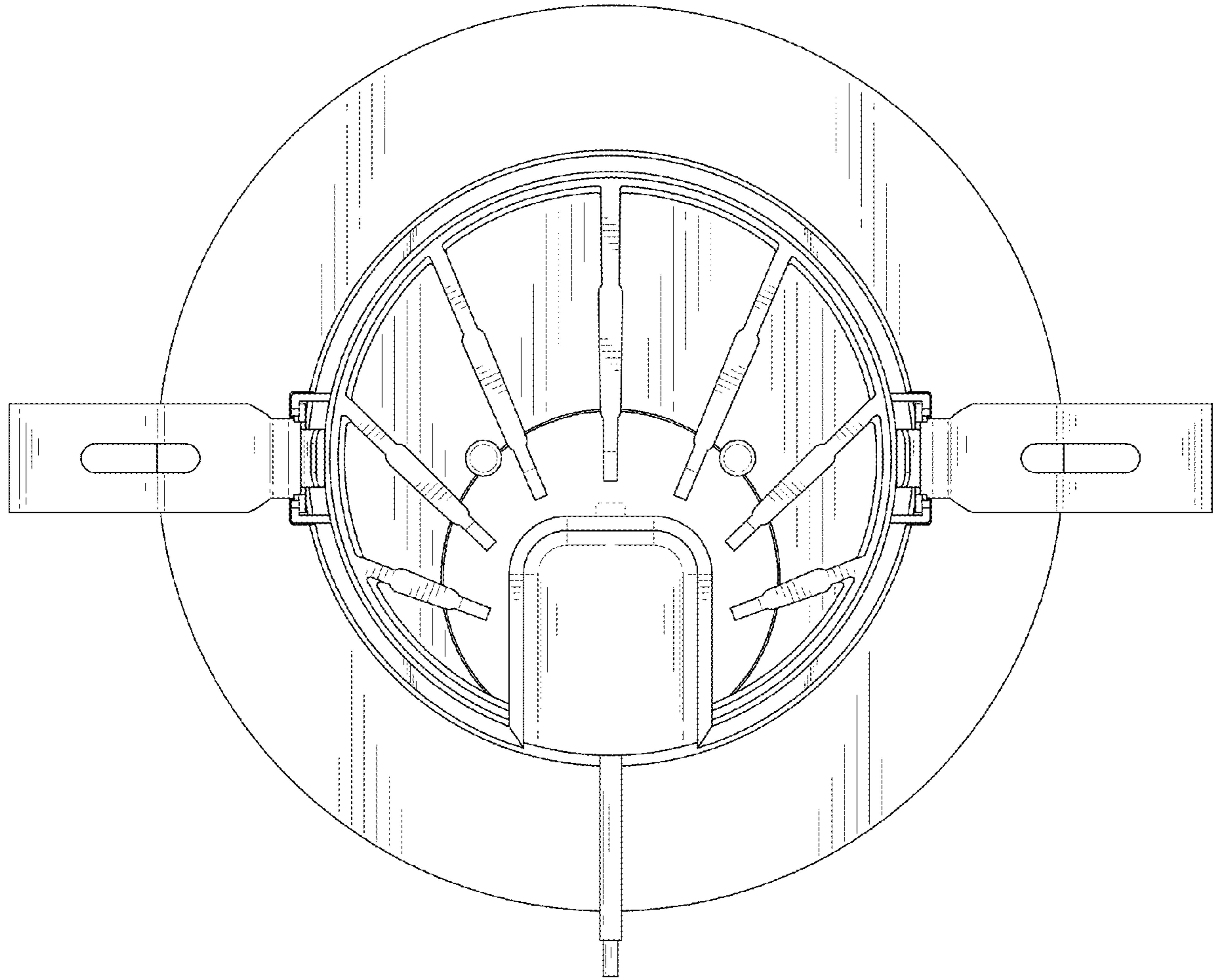


FIG. 7

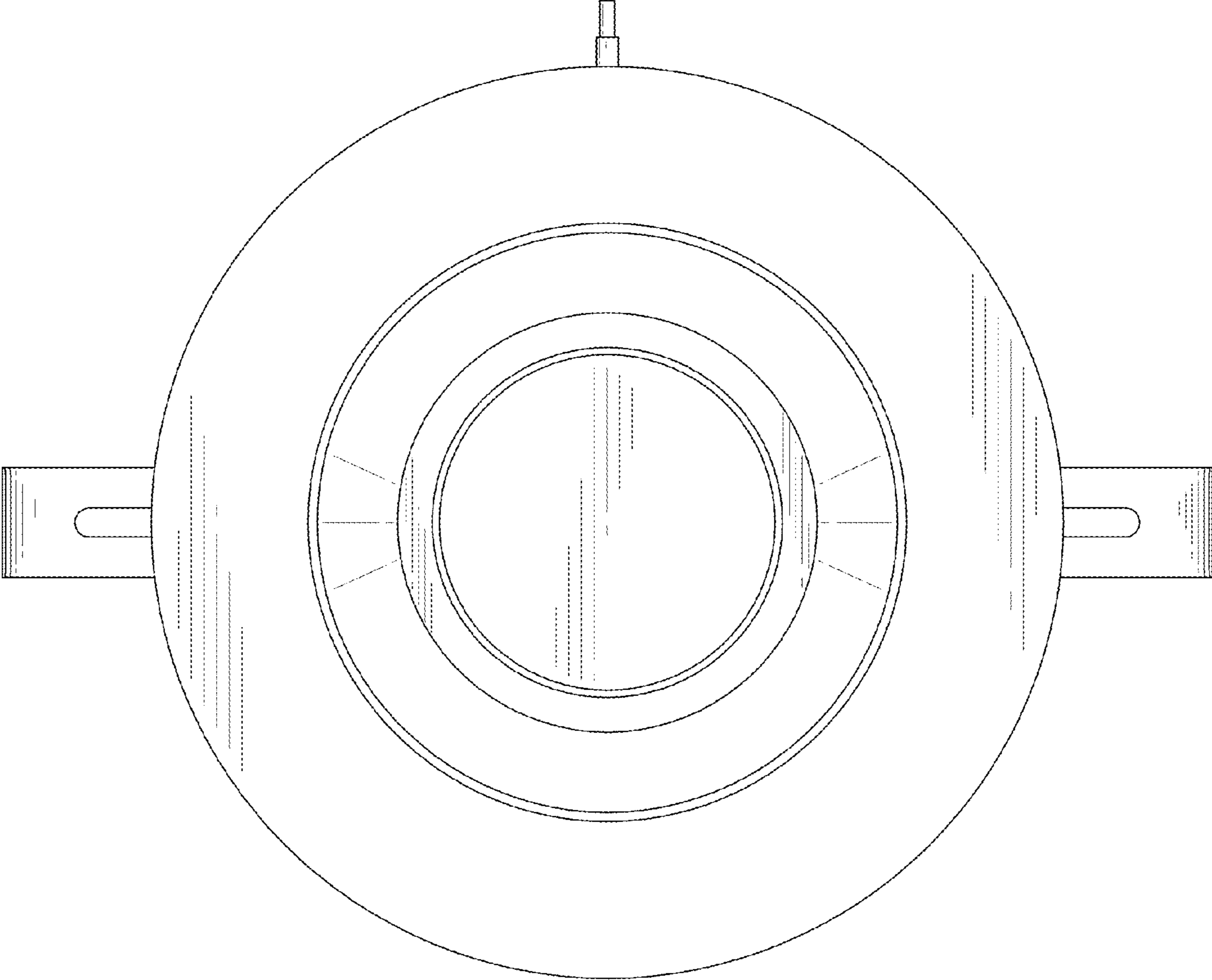


FIG. 8

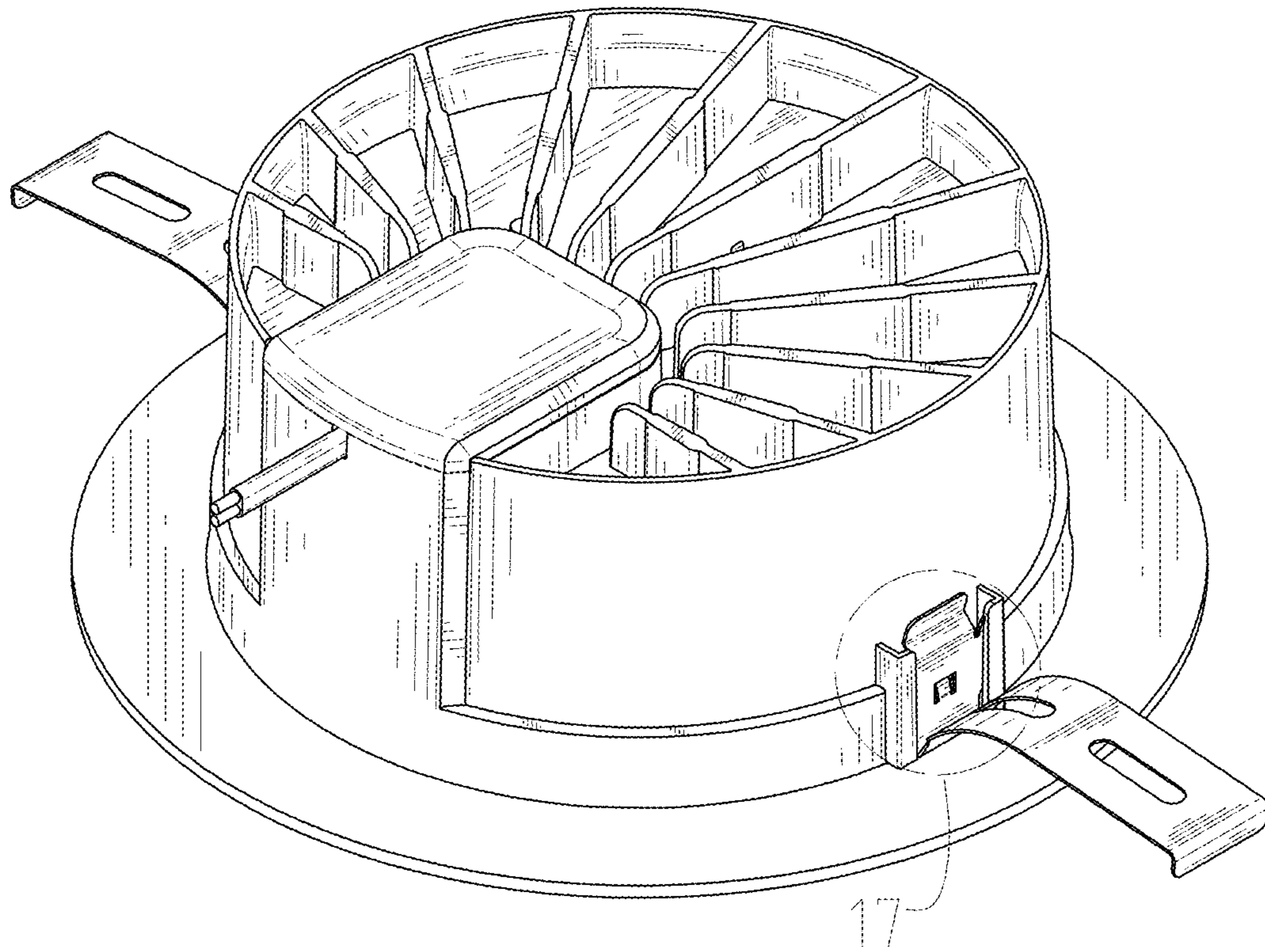


FIG. 9

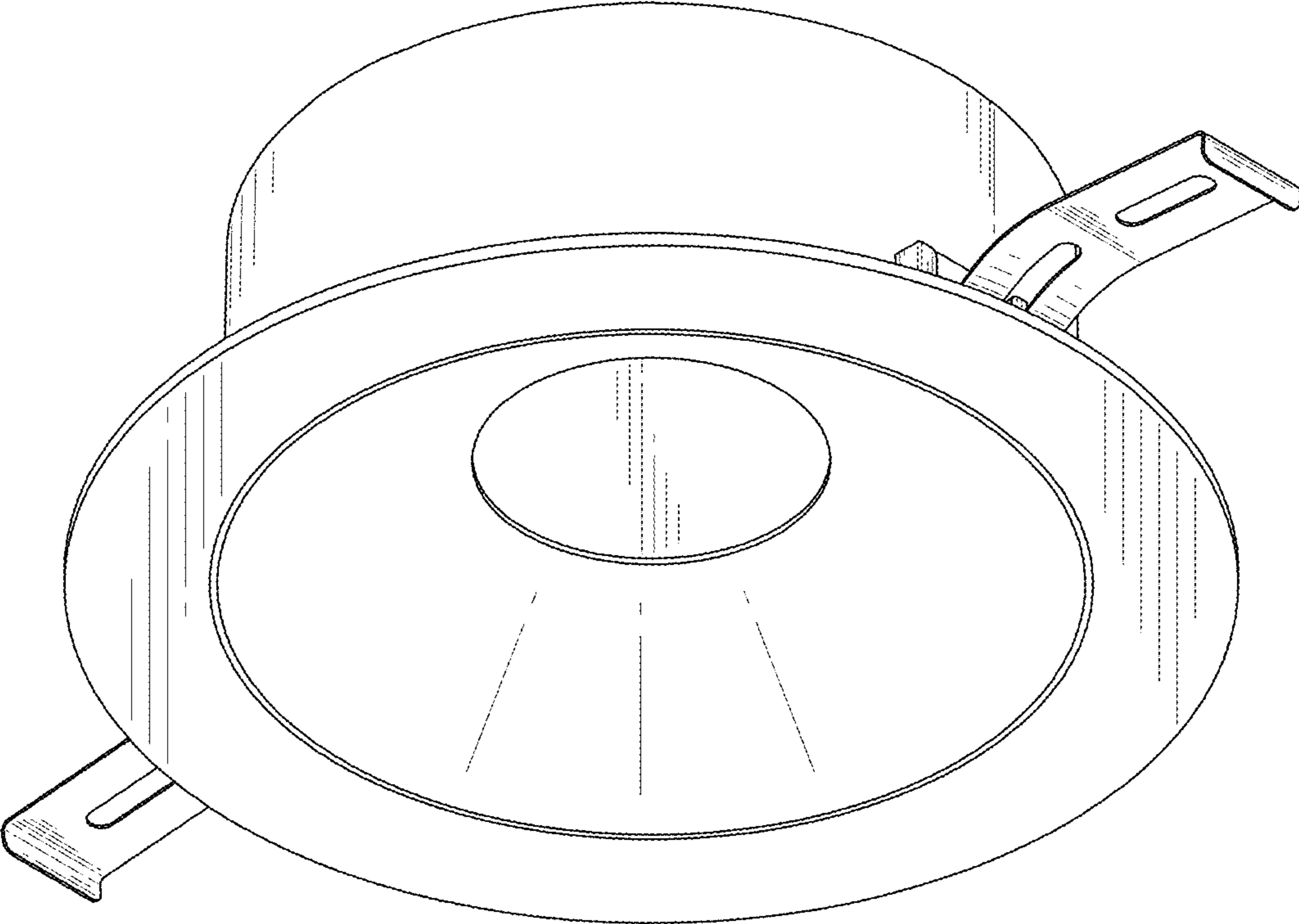


FIG. 10

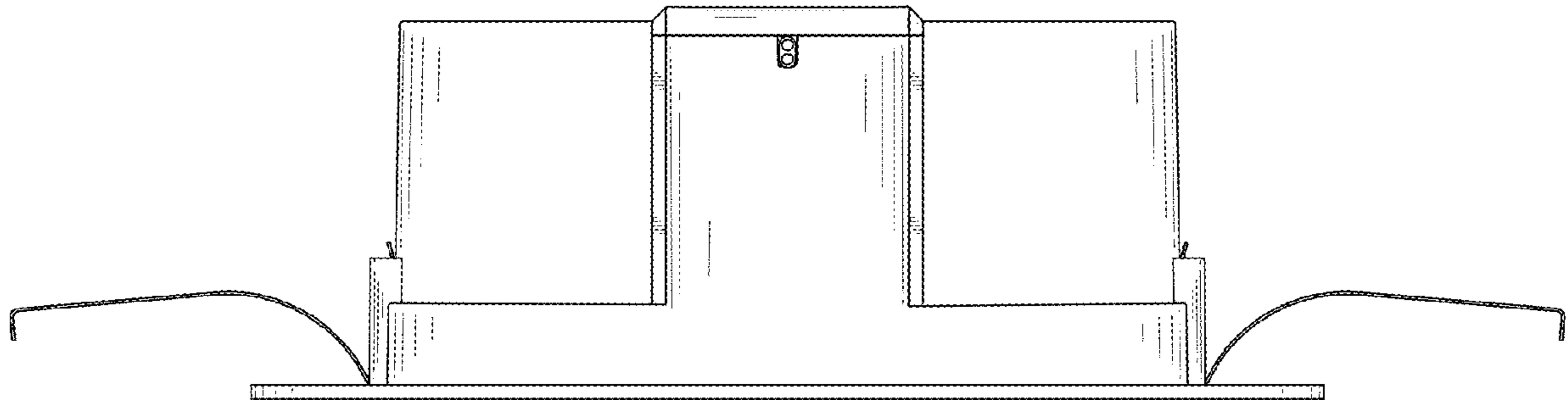


FIG. 11

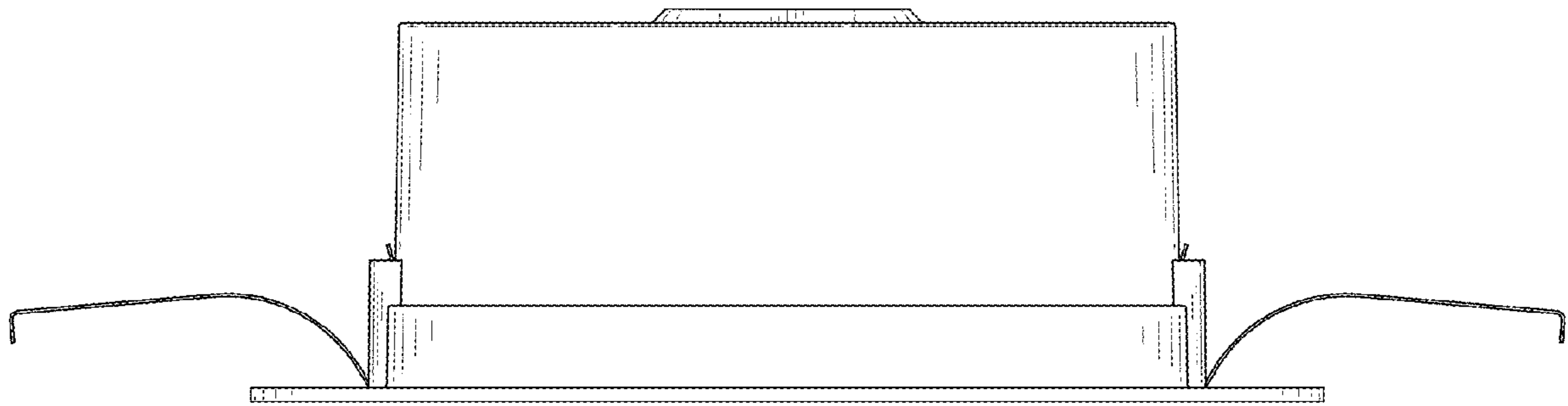


FIG. 12



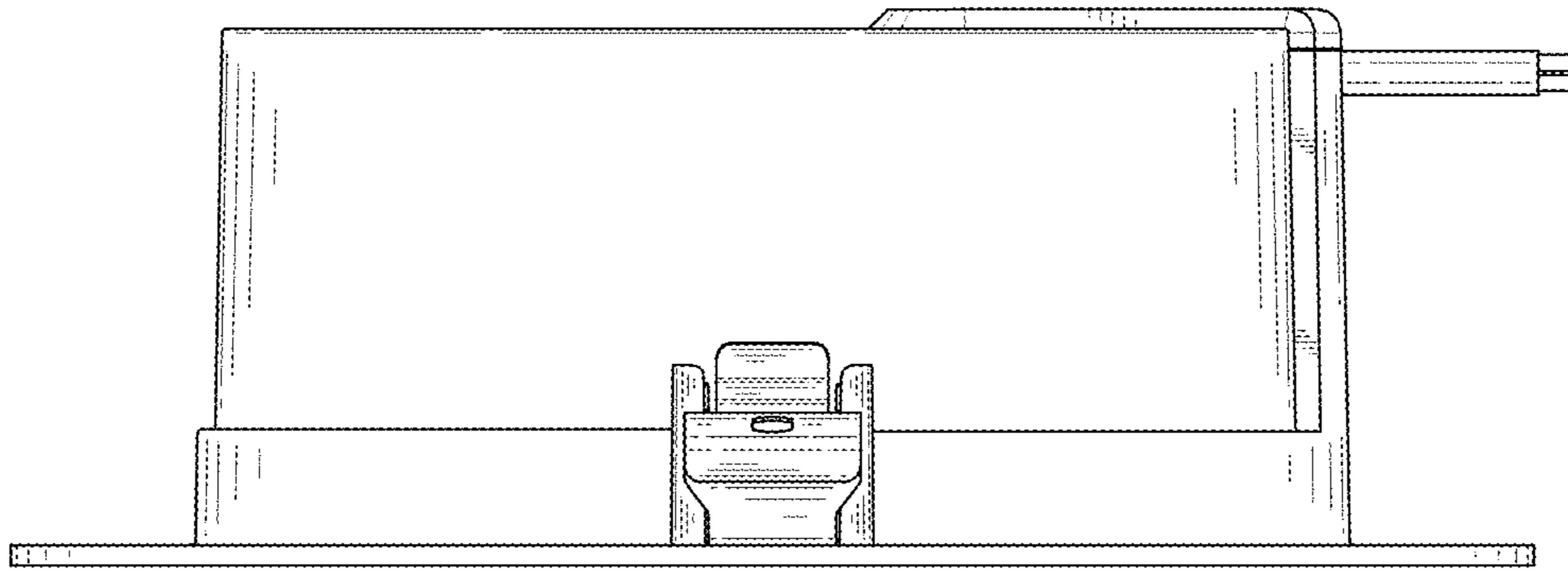


FIG. 13

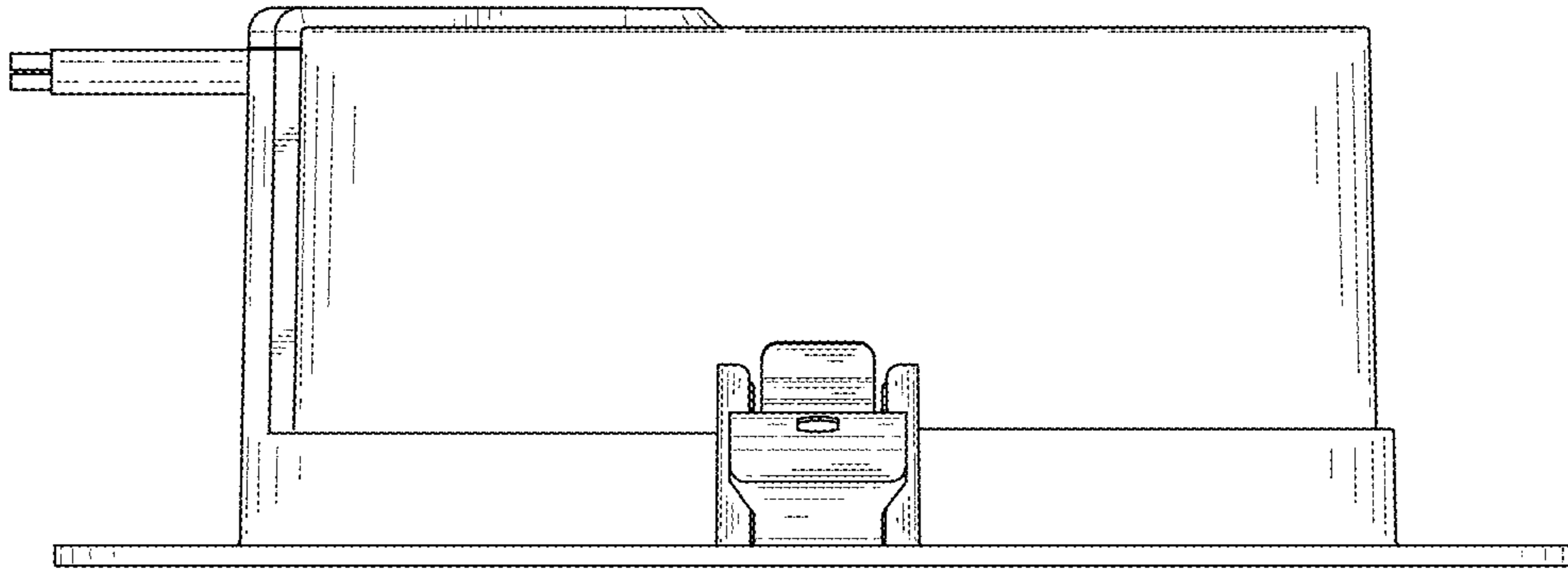


FIG. 14

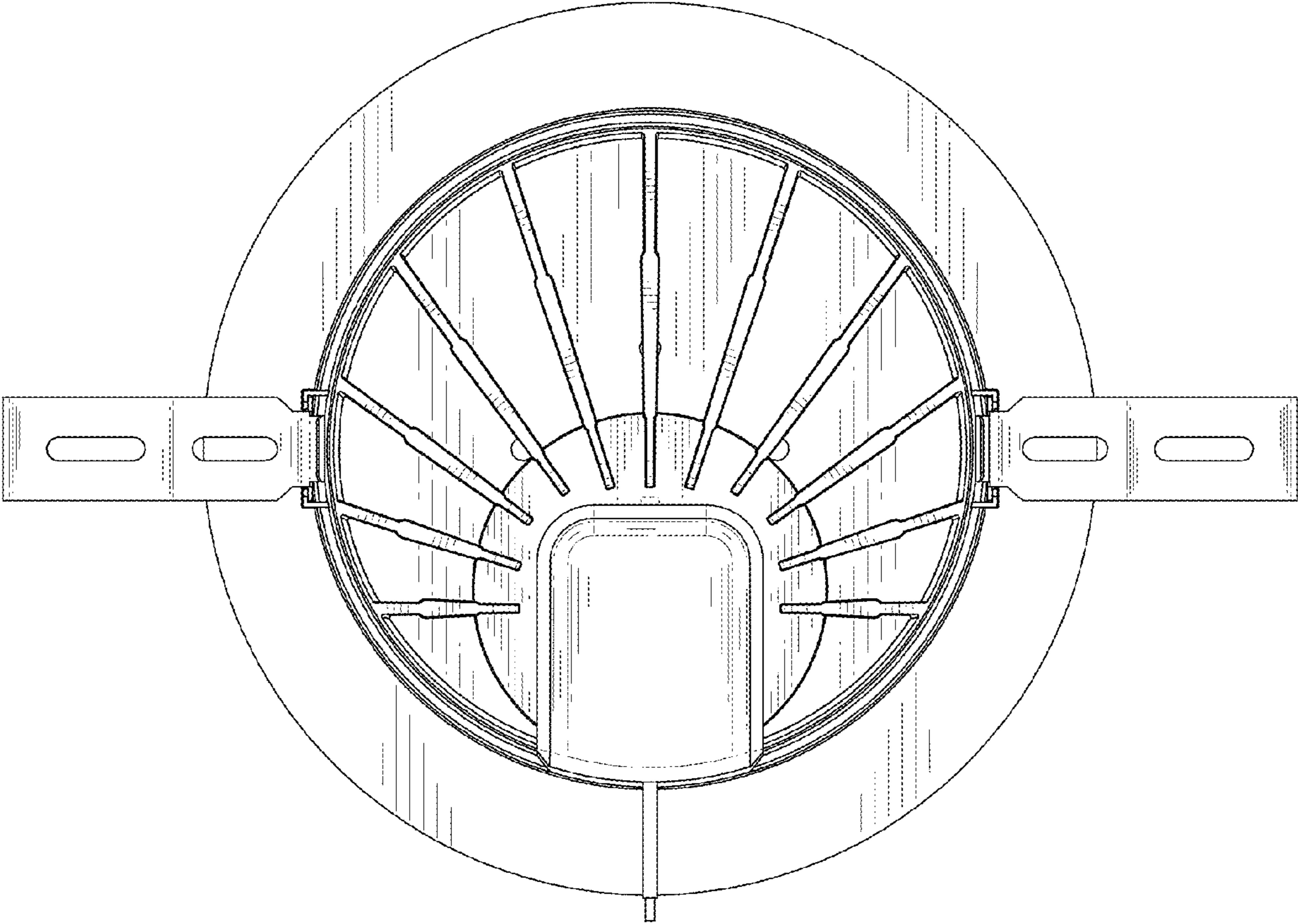


FIG. 15

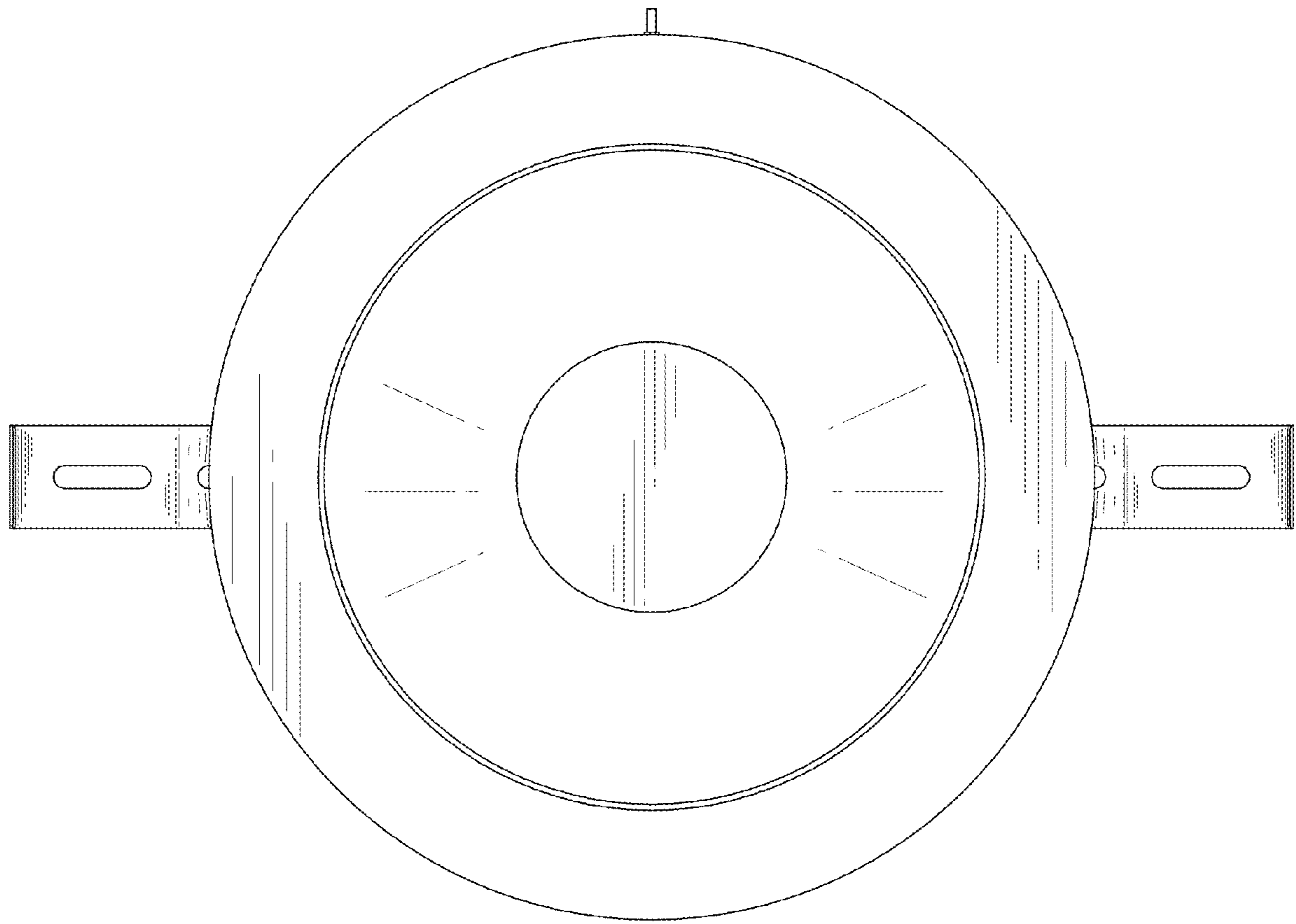


FIG. 16

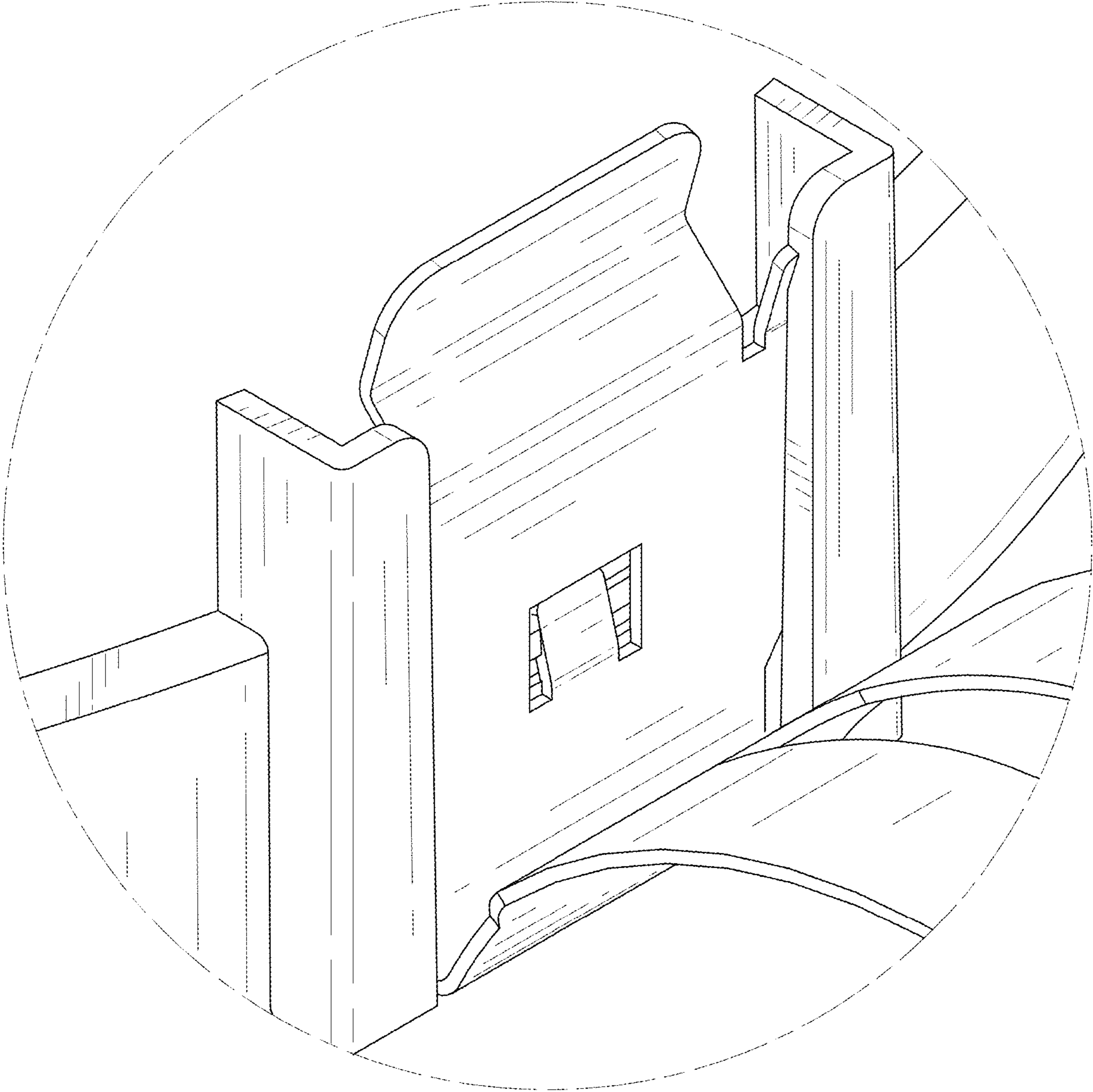


FIG. 17