



US00D971477S

(12) **United States Design Patent** (10) **Patent No.:** **US D971,477 S**
Zhang (45) **Date of Patent:** **** Nov. 29, 2022**

- (54) **COLUMN HEADLIGHT**
- (71) Applicant: **Donglin Zhang**, Jinniu Town (CN)
- (72) Inventor: **Donglin Zhang**, Jinniu Town (CN)
- (73) Assignee: **Shenzhen YuYiYuan Technology Co., Ltd**, Shenzhen (CN)
- (**) Term: **15 Years**
- (21) Appl. No.: **29/778,196**
- (22) Filed: **Apr. 12, 2021**
- (51) **LOC (13) Cl.** **26-03**
- (52) **U.S. Cl.**
USPC **D26/67**
- (58) **Field of Classification Search**
USPC D26/40, 67, 72, 113; D25/126-135
CPC F21S 8/00; F21S 8/088; F21W 2111/02;
F21W 2131/10; F21W 2131/109
See application file for complete search history.

D910,897 S * 2/2021 Liu D26/67
 D961,142 S * 8/2022 Zhuang D26/67
 2011/0205730 A1* 8/2011 Richmond F21V 21/0824
 362/183

FOREIGN PATENT DOCUMENTS

KR 300710172 * 9/2013

* cited by examiner

Primary Examiner — Cary M Robinson
Assistant Examiner — Julie Marie Bailey
 (74) *Attorney, Agent, or Firm* — Xuan Zhang

(57) **CLAIM**

The ornamental design for a column headlight, as shown and described.

DESCRIPTION

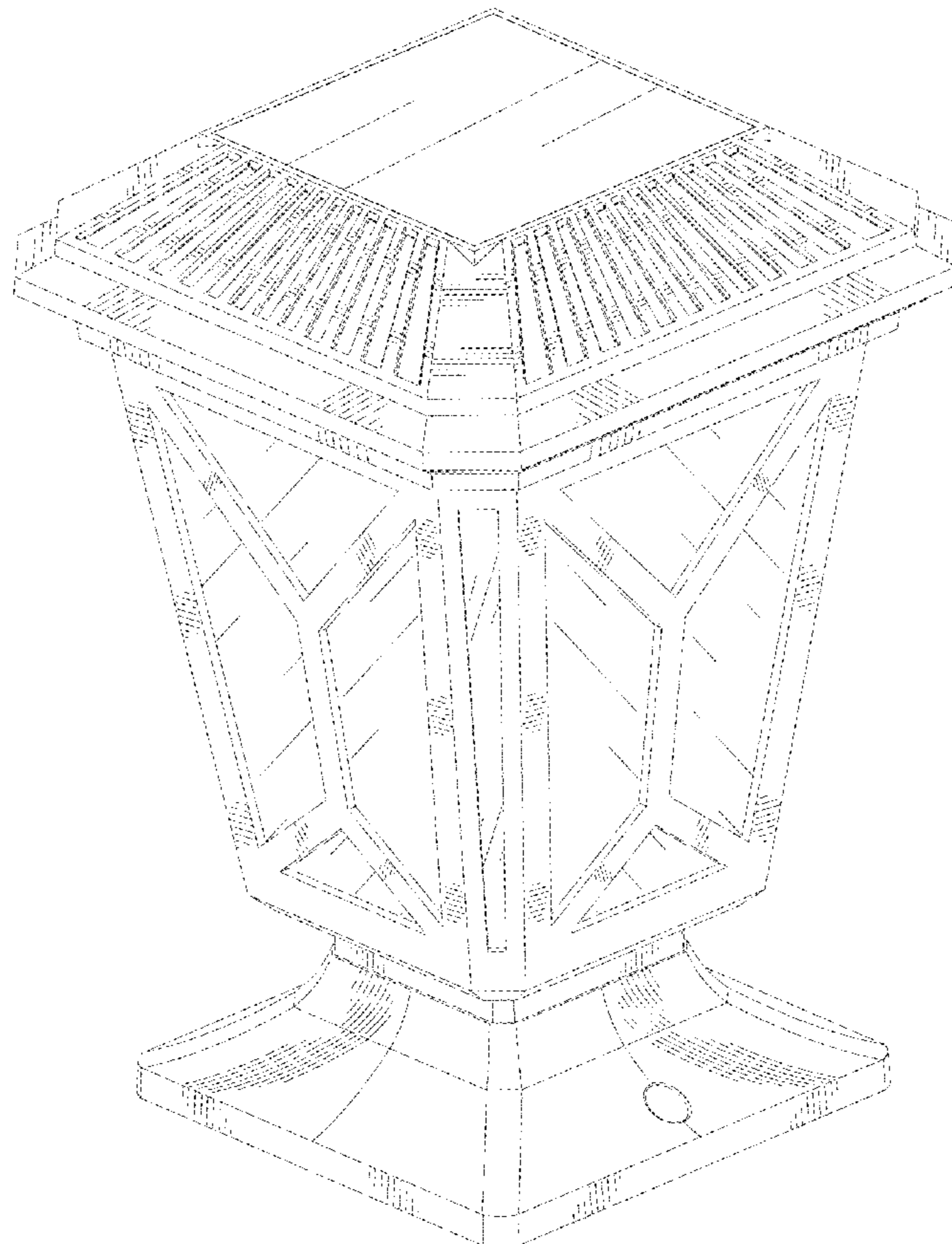
FIG. 1 is a perspective view of a column headlight showing my new design;
 FIG. 2 is a front view thereof;
 FIG. 3 is a rear view thereof;
 FIG. 4 is a left view thereof;
 FIG. 5 is a right view thereof;
 FIG. 6 is a top view thereof; and,
 FIG. 7 is a bottom view thereof.
 The broken lines in the drawings are included for the purpose of illustrating environmental structure and forms no part of the claimed design.

(56) **References Cited**

U.S. PATENT DOCUMENTS

- D483,895 S * 12/2003 Kuelbs F21V 21/0824
D26/67
- D497,684 S * 10/2004 Hon D26/67
- D694,932 S * 12/2013 Meyer D26/67

1 Claim, 7 Drawing Sheets



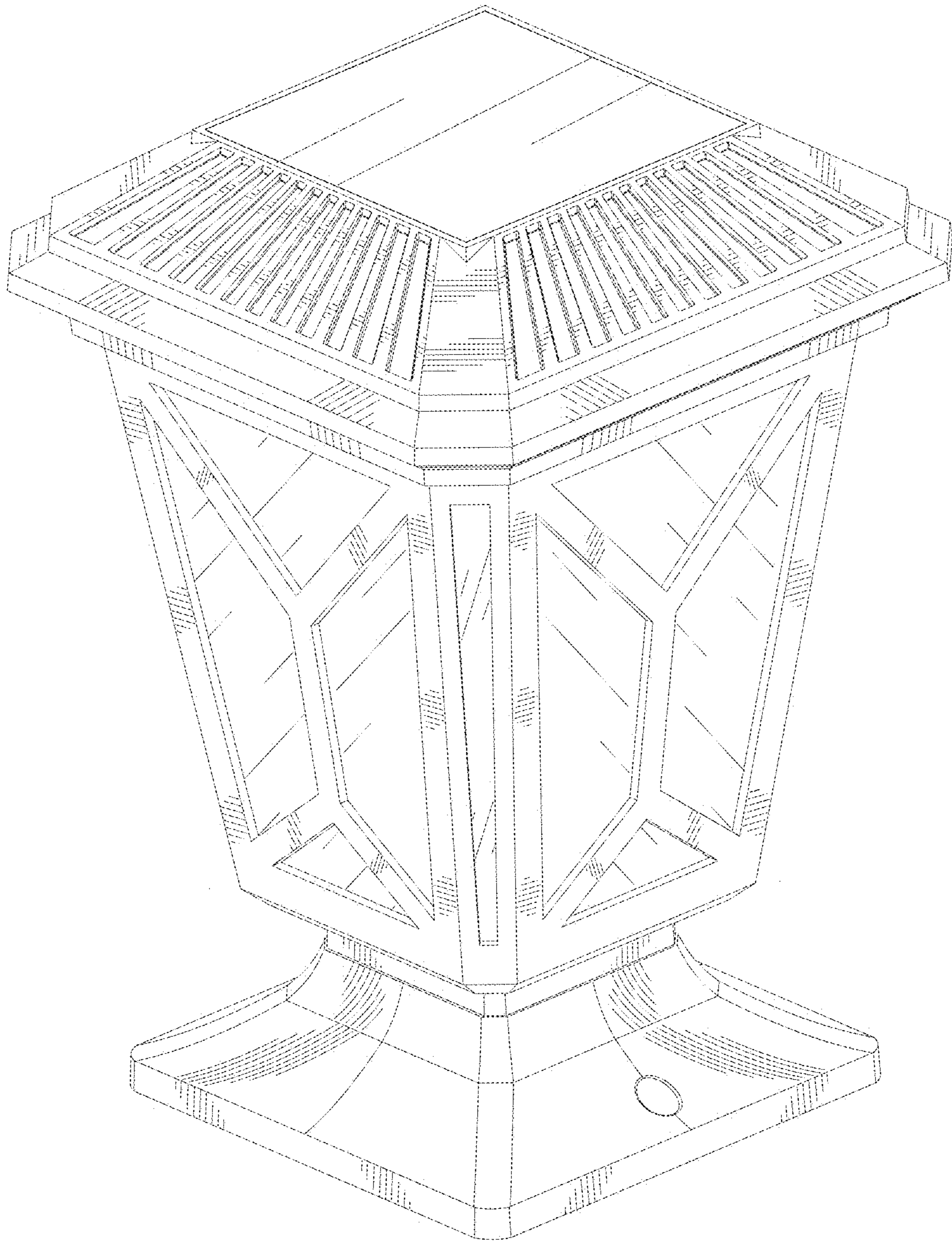


FIG. 1

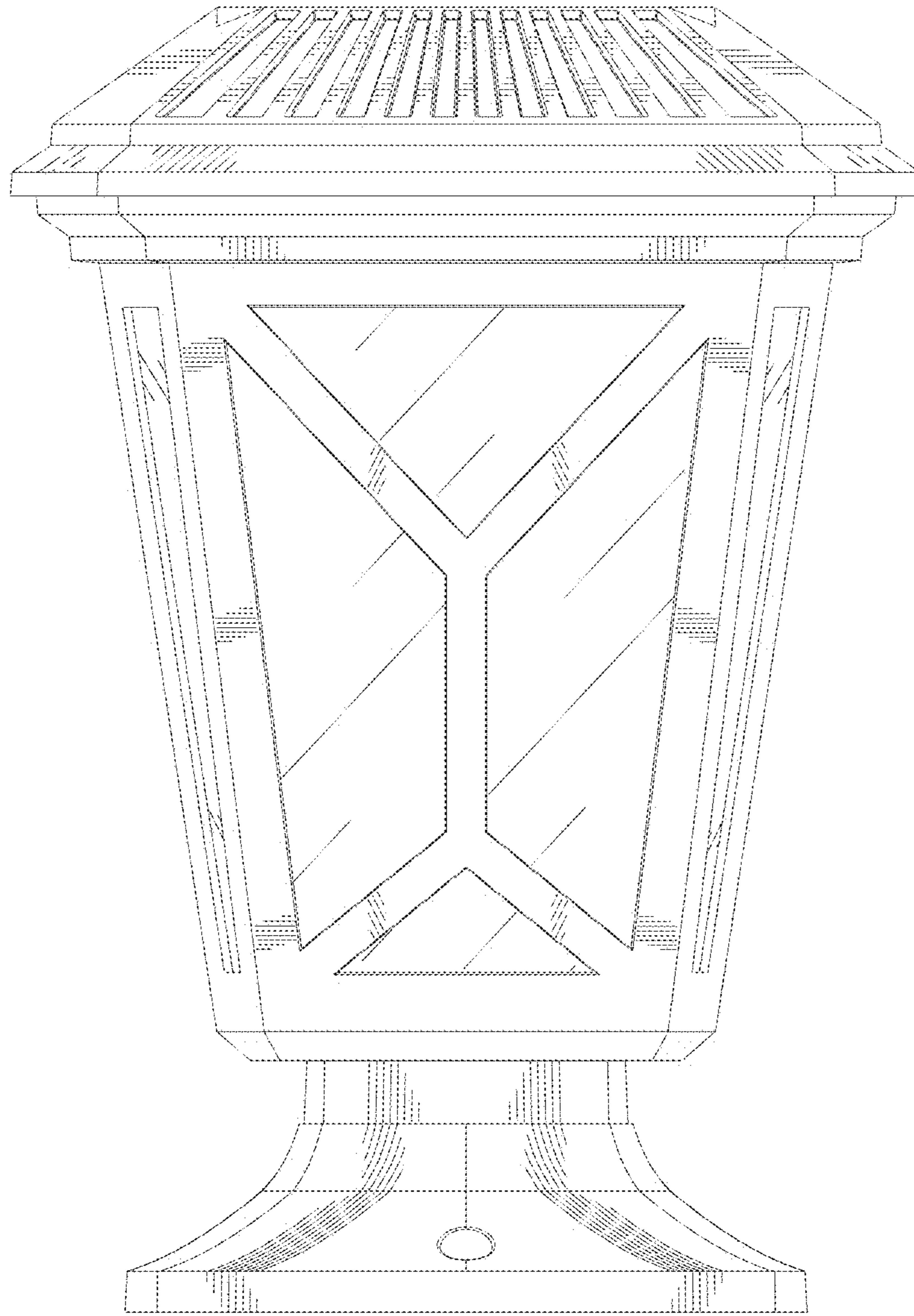


FIG. 2

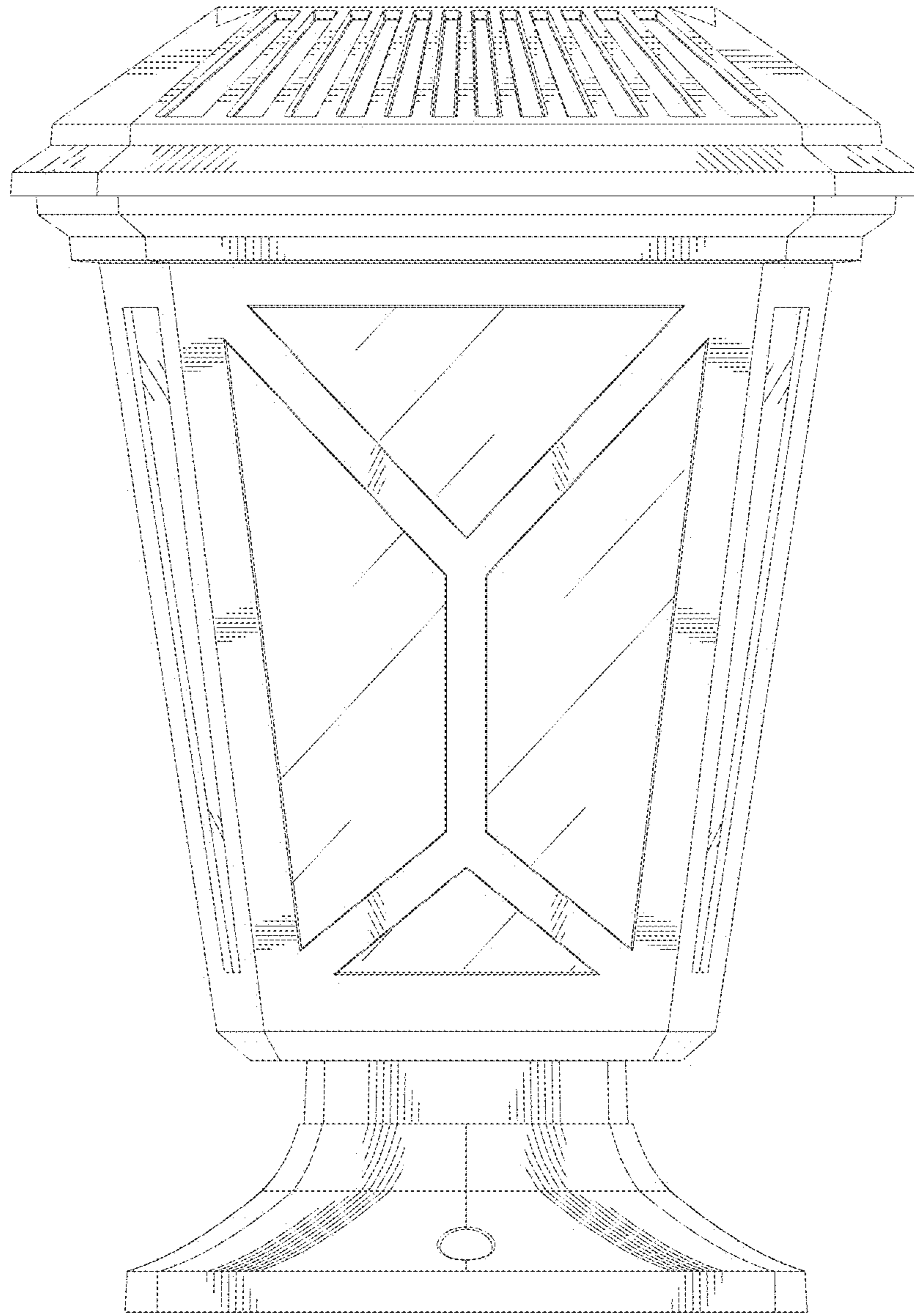


FIG. 3

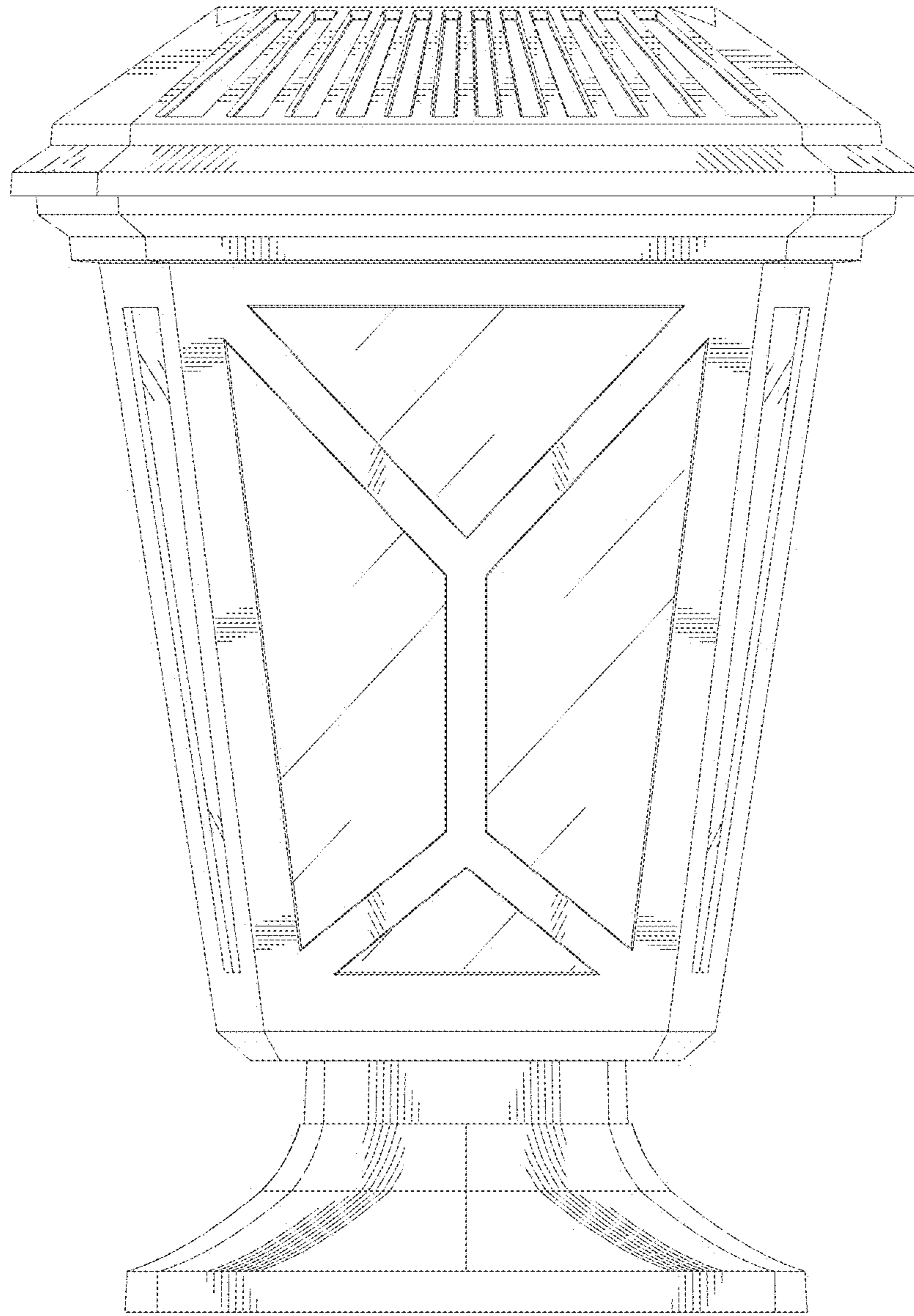


FIG. 4

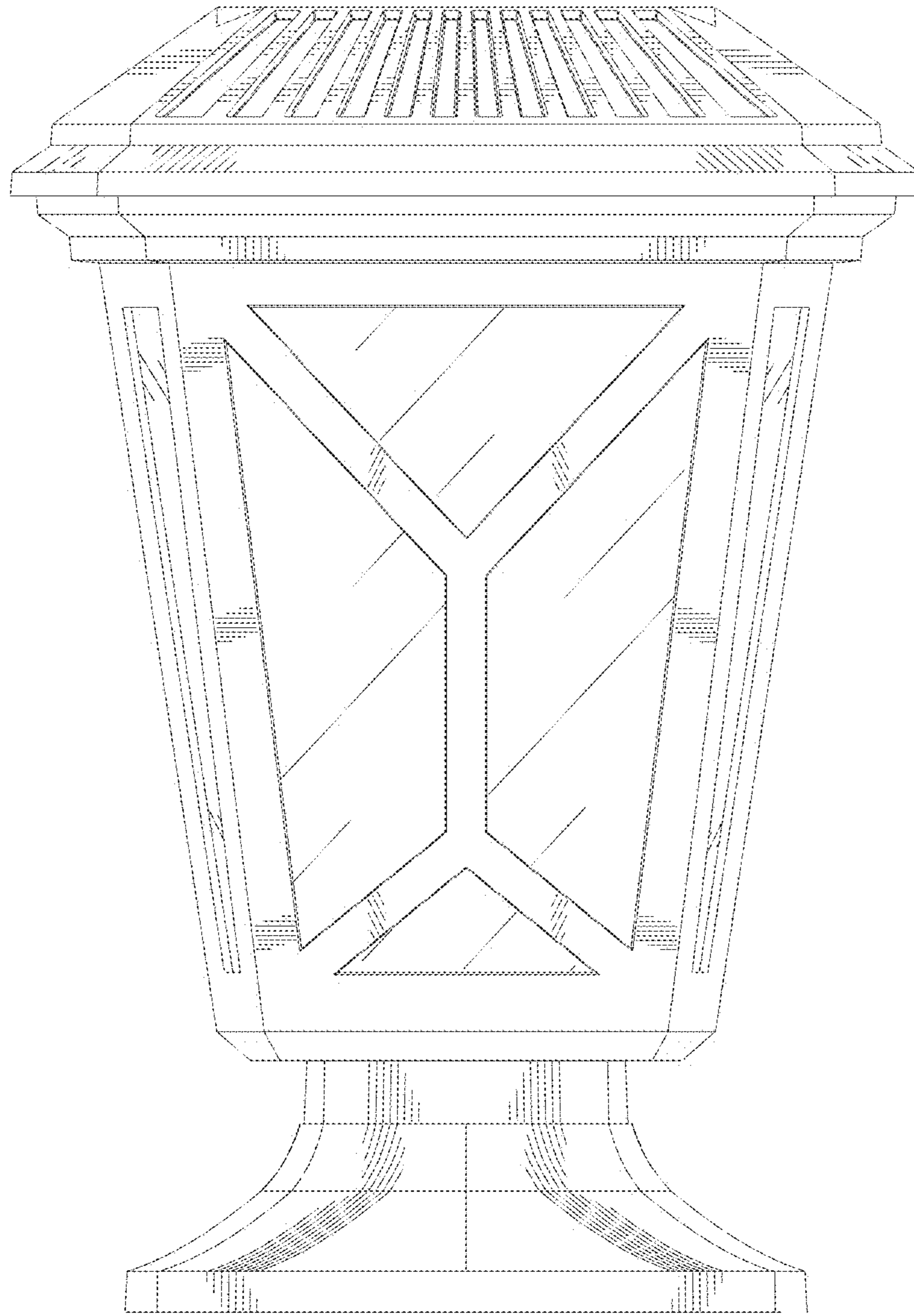


FIG. 5

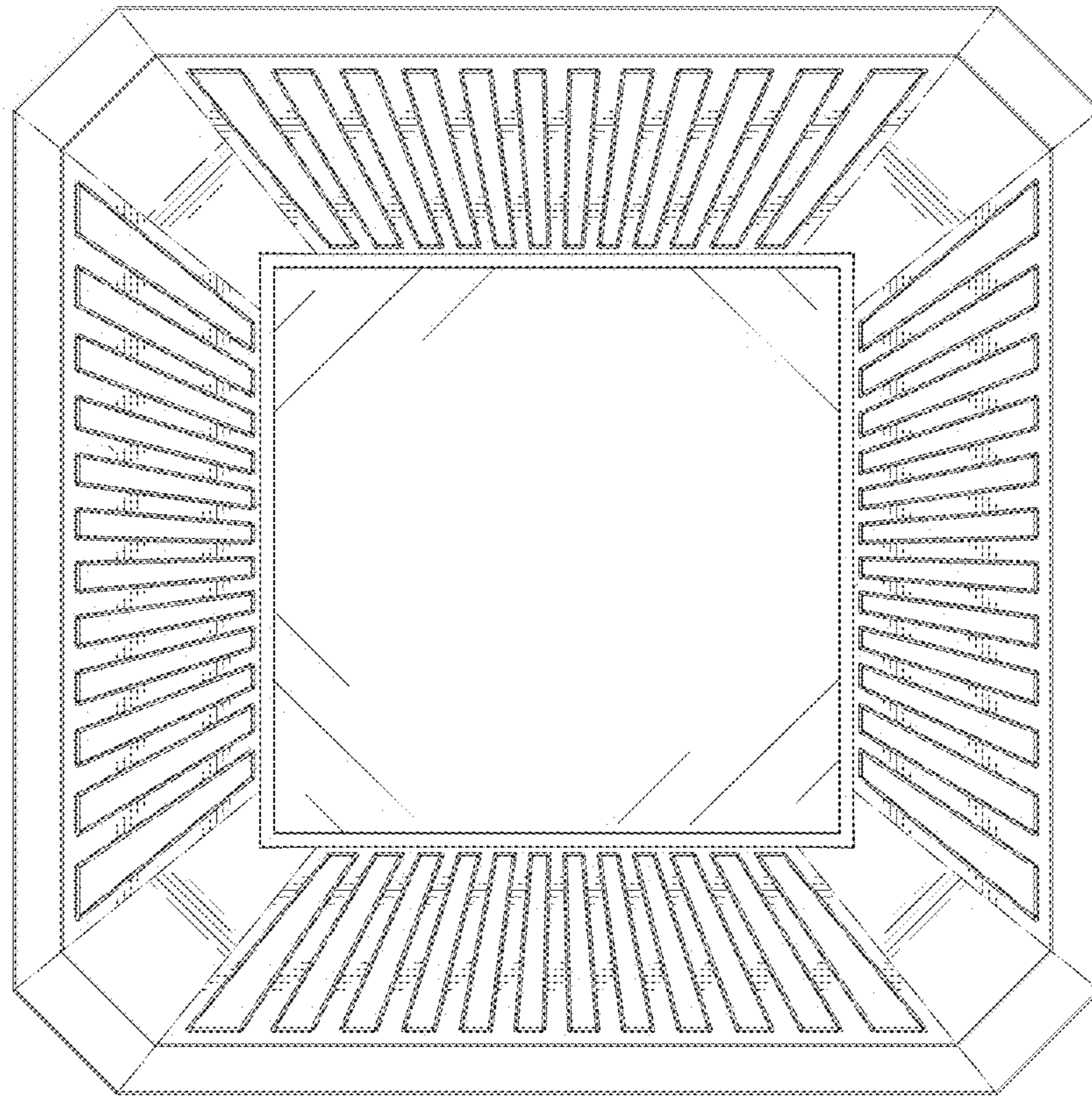


FIG. 6

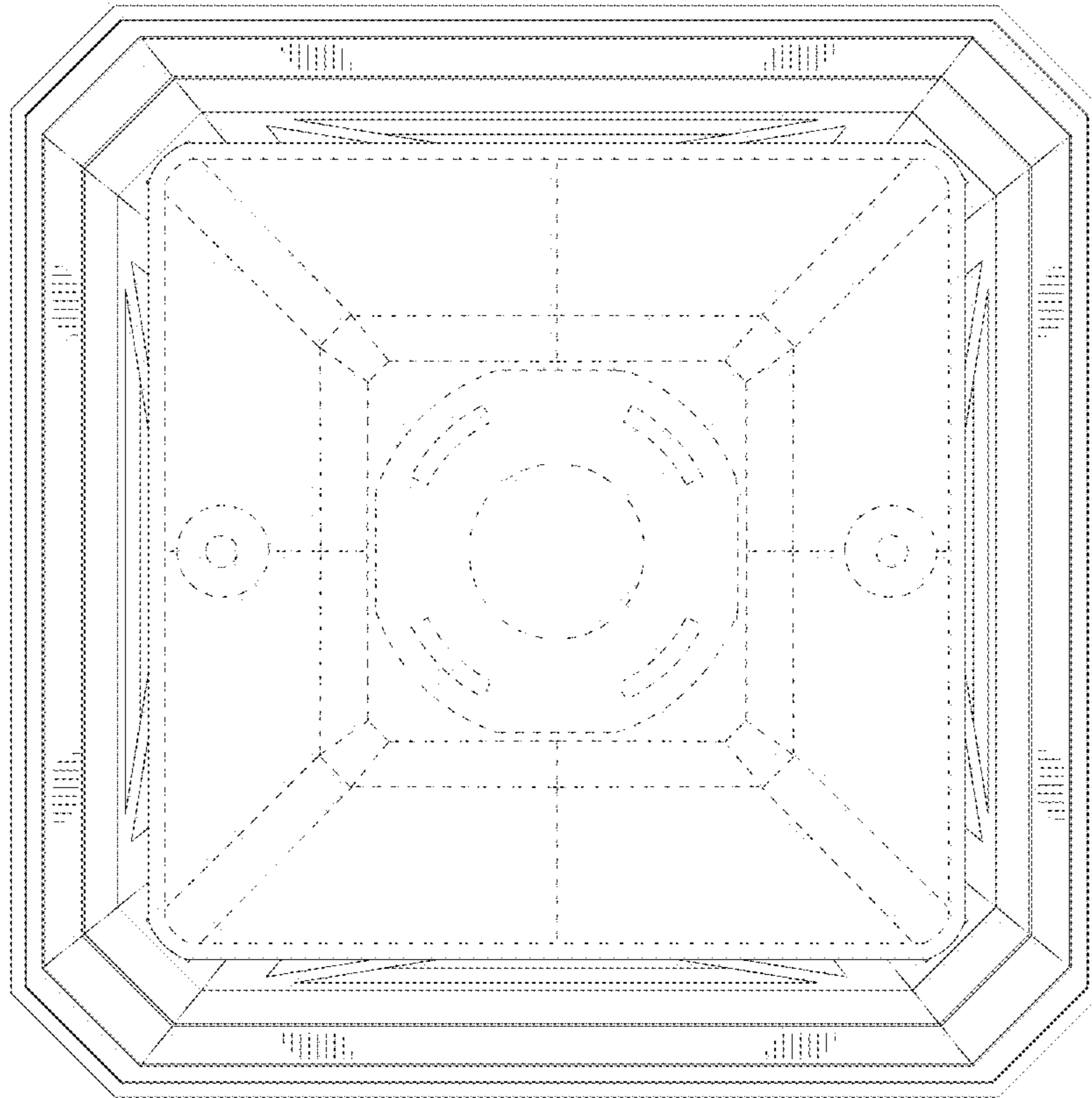


FIG. 7