



US00D971476S

(12) **United States Design Patent** (10) **Patent No.:** **US D971,476 S**  
**Li** (45) **Date of Patent:** **\*\* Nov. 29, 2022**

(54) **CIRCLE LIGHT**

OTHER PUBLICATIONS

(71) Applicant: **Shenzhen Youbaise Technology Co., Ltd.**, Shenzhen (CN)

Amazon.CA | UBeesize Ring Light Kit, posted on Jun. 11, 2020, © 1996-2022, Amazon.com, Inc. or its affiliates [online], site visited Aug. 29, 2022]. Available from Internet, <URL: [https://www.amazon.ca/UBeesize-Ring-Light-Kit-Professional/dp/B089NZRG31/ref=sr\\_1\\_1](https://www.amazon.ca/UBeesize-Ring-Light-Kit-Professional/dp/B089NZRG31/ref=sr_1_1)>(Year: 2020).\*

(72) Inventor: **Dinglan Li**, Shenzhen (CN)

\* cited by examiner

(\*\*) Term: **15 Years**

(21) Appl. No.: **29/725,344**

*Primary Examiner* — Cary M Robinson  
*Assistant Examiner* — Julie Marie Bailey

(22) Filed: **Feb. 25, 2020**

(51) **LOC (13) Cl.** ..... **26-05**

(52) **U.S. Cl.**  
USPC ..... **D26/65; D26/106**

(57) **CLAIM**

(58) **Field of Classification Search**  
USPC ..... D26/61, 63, 65, 72, 106; D16/237, 239, D16/244, 250

The ornamental design for a circle light, as shown and described.

CPC ..... F21V 7/0058; F21Y 2103/30  
See application file for complete search history.

**DESCRIPTION**

(56) **References Cited**

U.S. PATENT DOCUMENTS

D753,755 S	*	4/2016	Zhan	.....	D16/239
D855,242 S	*	7/2019	Chen	.....	D26/106
D877,392 S	*	3/2020	Yu	.....	D26/106
D895,877 S	*	9/2020	Kaiser	.....	D26/72
D901,054 S	*	11/2020	Zhao	.....	D16/237
D907,836 S	*	1/2021	Zhou	.....	D16/237
D929,023 S	*	8/2021	Xiao	.....	D16/244
D936,883 S	*	11/2021	Vargas	.....	D26/56
D957,714 S	*	7/2022	Hodgson	.....	D26/106

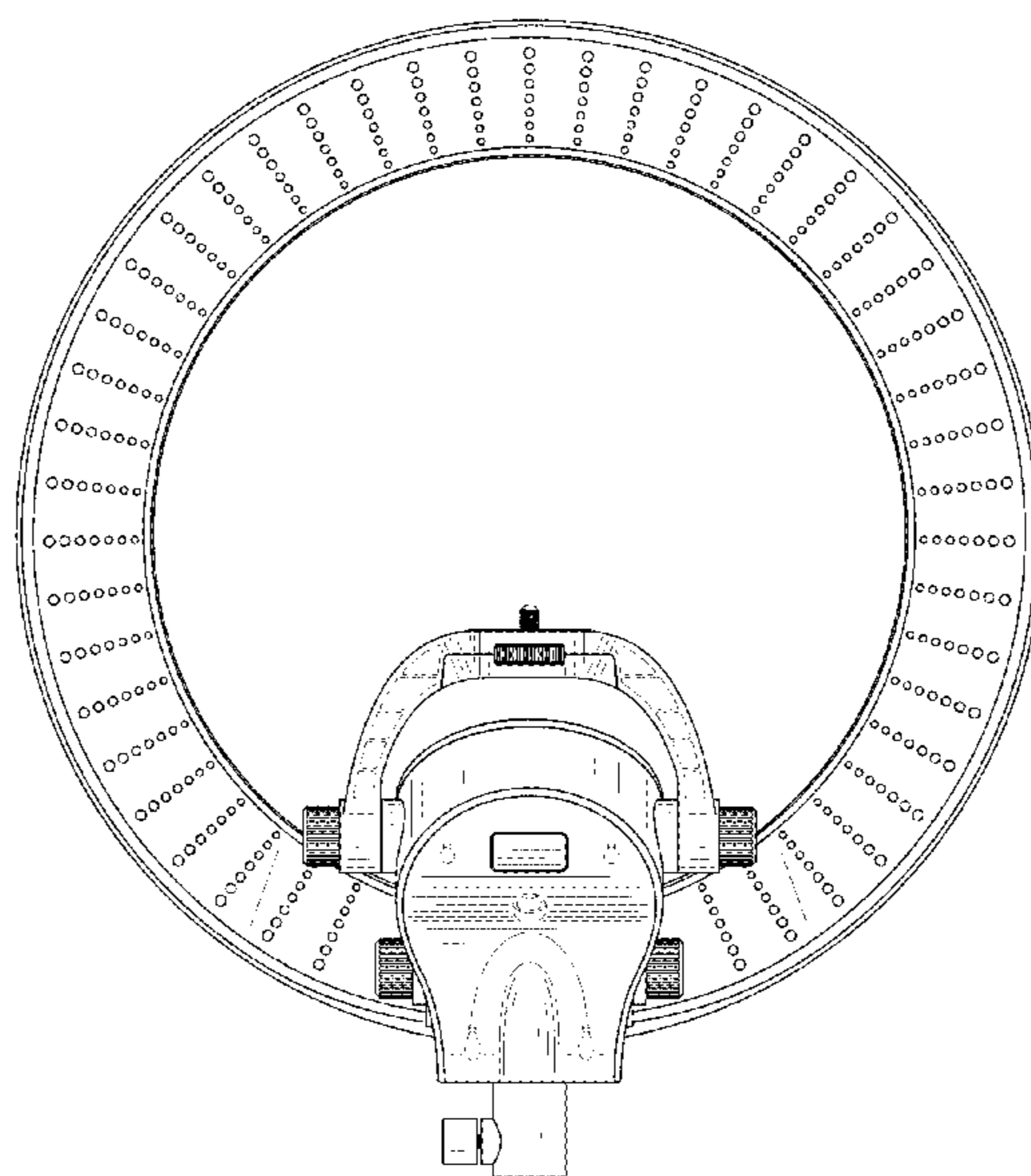
FIG. 1 is a first perspective view of a circle light showing my new design;  
FIG. 2 is a second perspective view thereof;  
FIG. 3 is a front view thereof;  
FIG. 4 is a back view thereof;  
FIG. 5 is a left side view thereof;  
FIG. 6 is a right side view thereof;  
FIG. 7 is a top view thereof; and,  
FIG. 8 is a bottom view thereof.

The broken lines shown in the drawings depict portions of the circle light in which the design is embodied that, form no part of the claimed design.

FOREIGN PATENT DOCUMENTS

CN 306553661 \* 5/2021

**1 Claim, 8 Drawing Sheets**



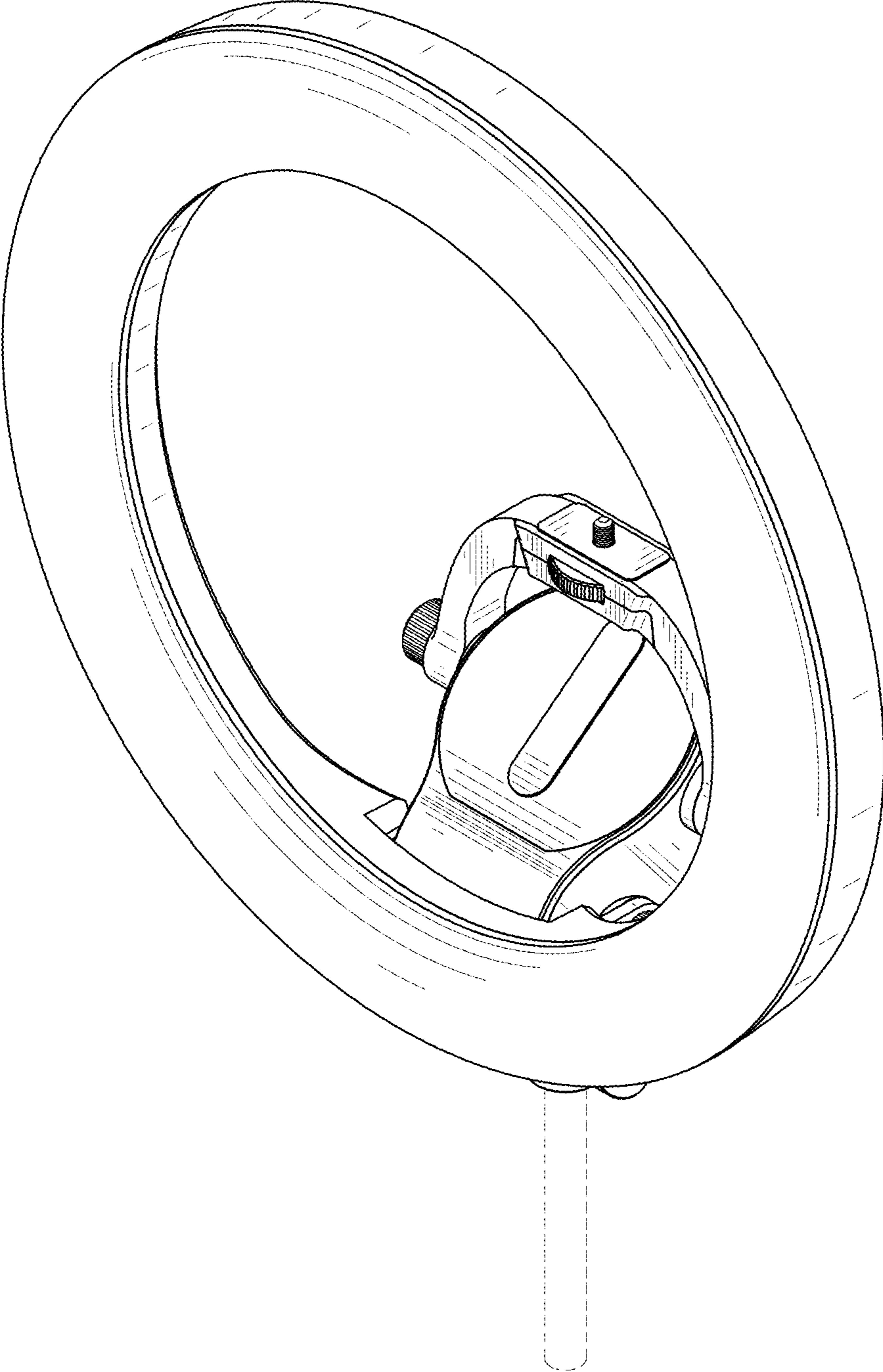


FIG. 1

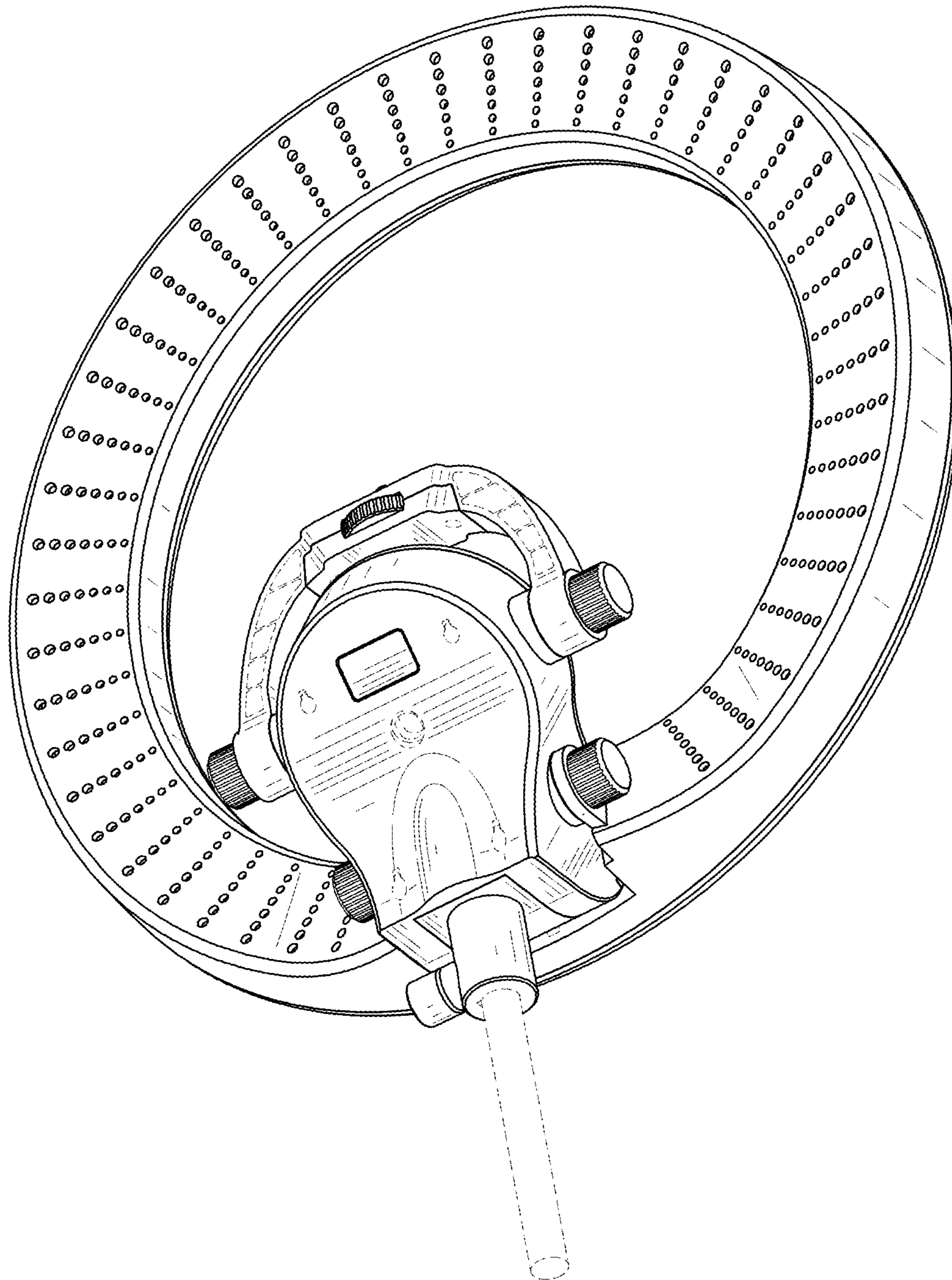


FIG. 2

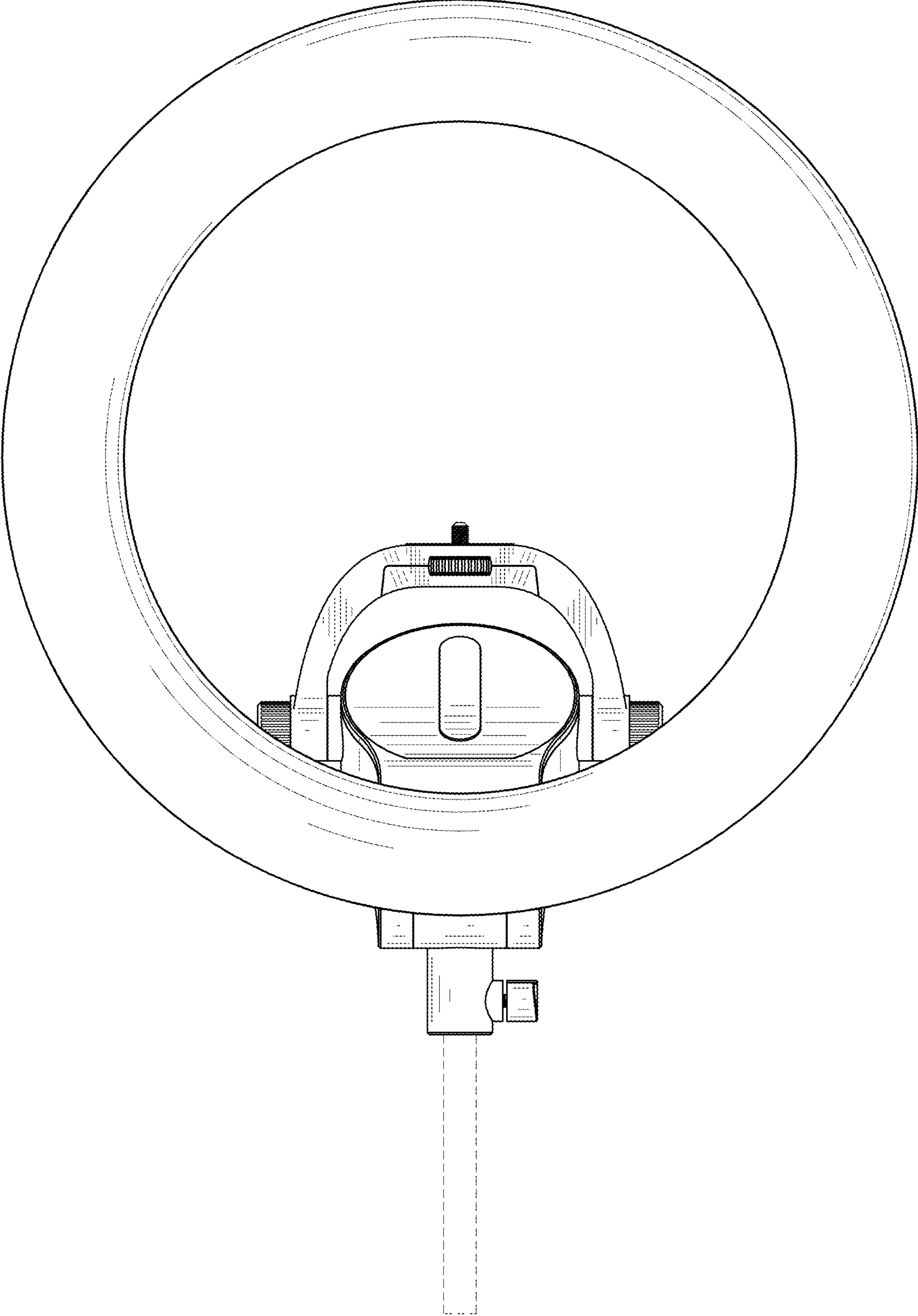


FIG. 3

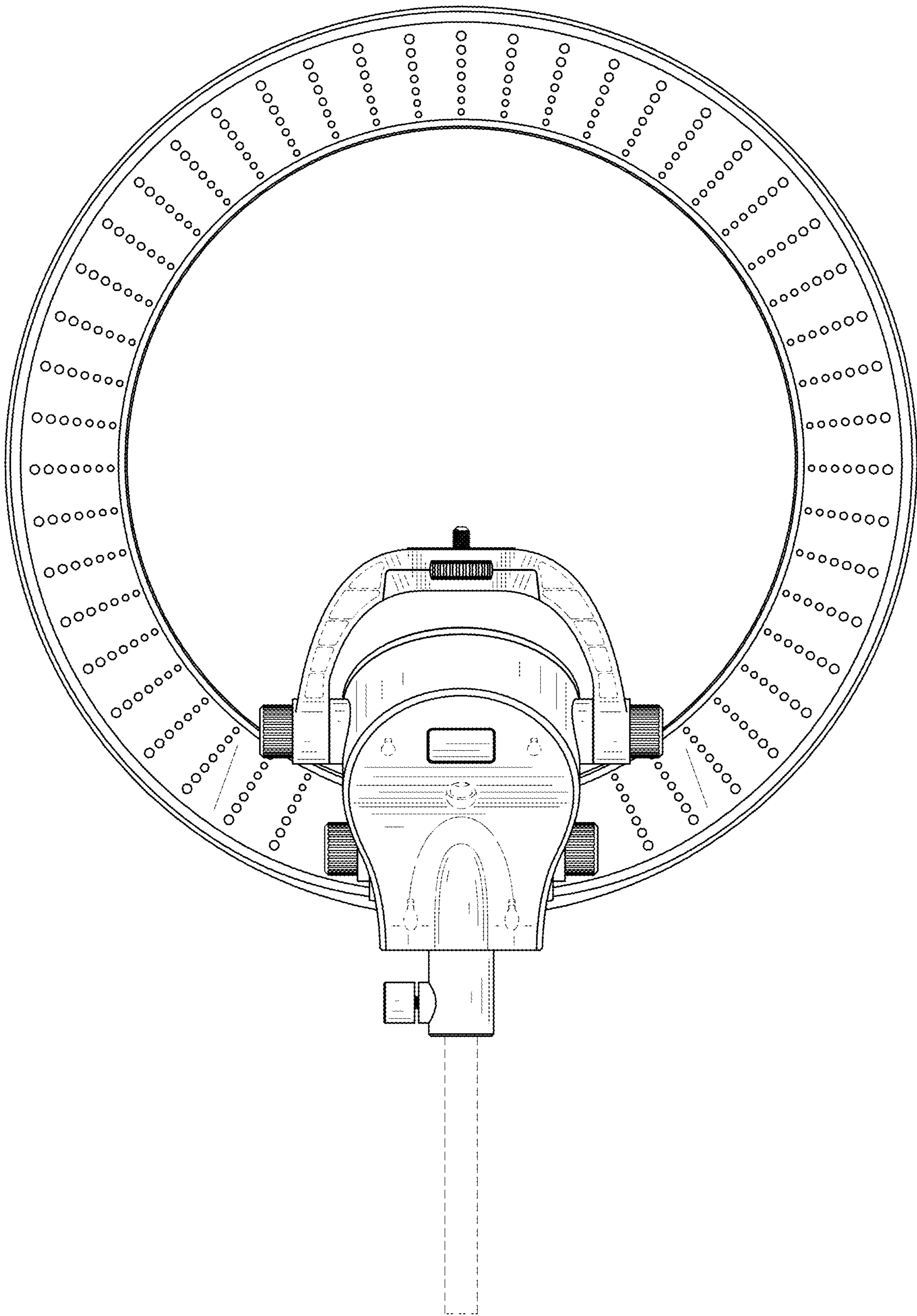


FIG. 4

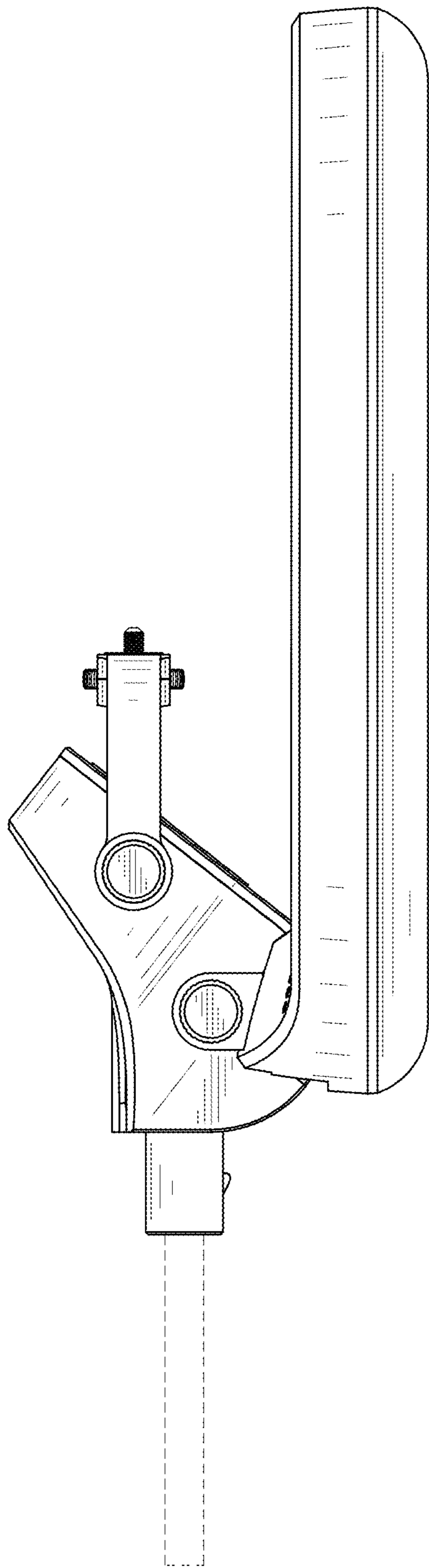


FIG. 5

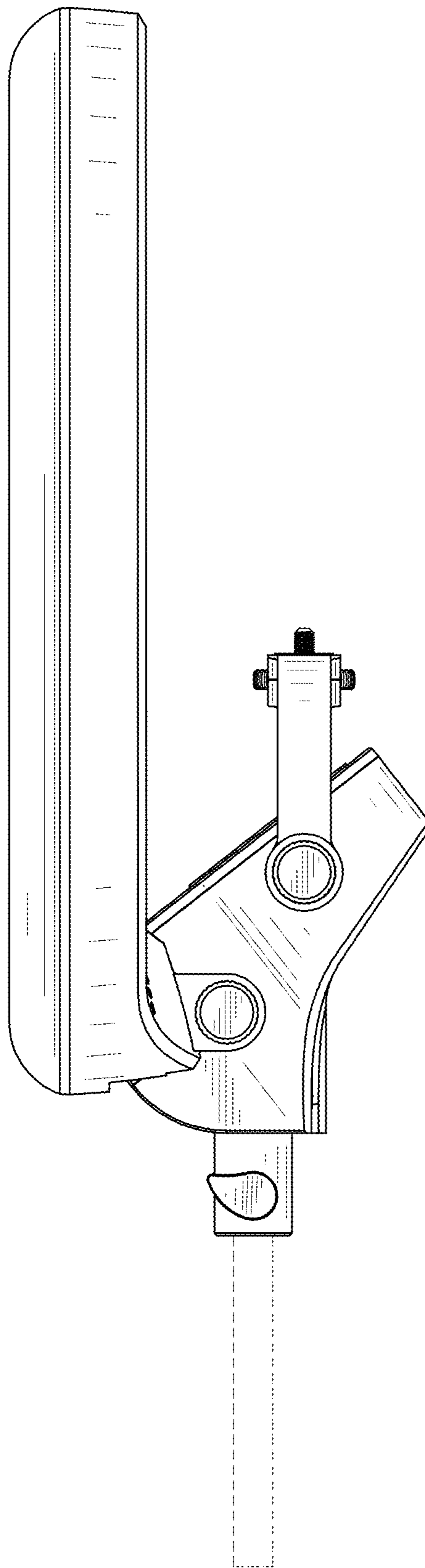


FIG. 6

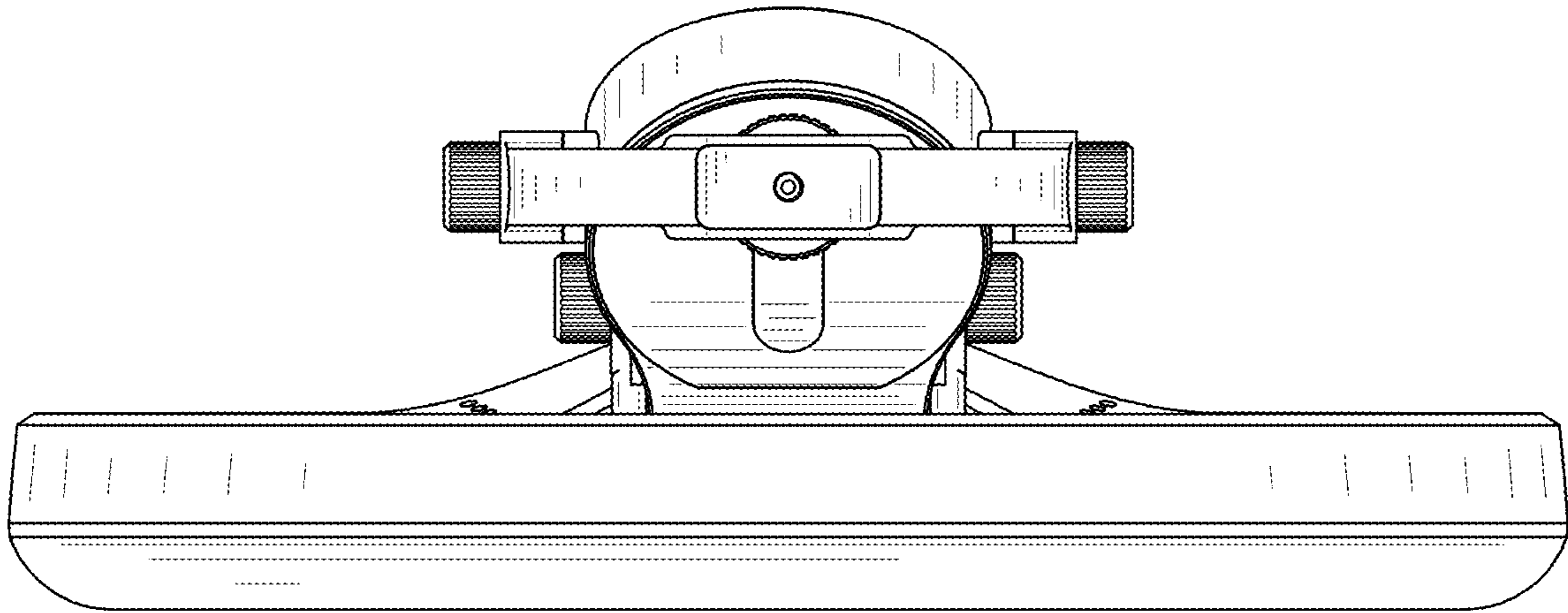


FIG. 7



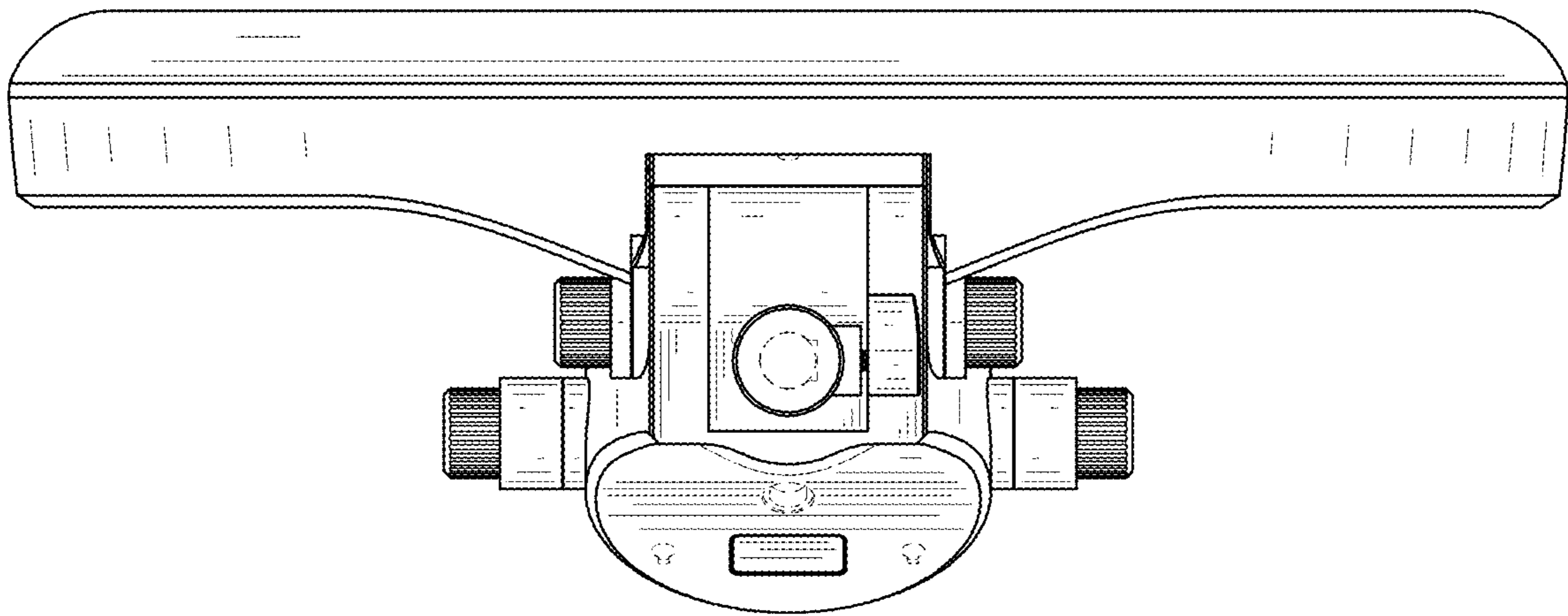


FIG. 8