



US00D971474S

(12) **United States Design Patent** (10) **Patent No.:** **US D971,474 S**
Sun (45) **Date of Patent:** **** Nov. 29, 2022**

(54) **PLANT LAMP**
(71) Applicant: **Chenyao Sun**, Fuyang (CN)
(72) Inventor: **Chenyao Sun**, Fuyang (CN)
(**) Term: **15 Years**
(21) Appl. No.: **29/812,712**
(22) Filed: **Oct. 24, 2021**
(51) **LOC (13) Cl.** **26-05**
(52) **U.S. Cl.**
USPC **D26/63**
(58) **Field of Classification Search**
USPC D26/24, 43, 59, 60, 61, 62, 63, 72, 76,
D26/80, 83, 89, 102, 109, 110, 118, 120
CPC F21S 8/00; F21S 8/04; F21S 8/06; F21S
8/026; F21S 8/032; F21S 8/033; F21S
8/081; F21S 4/28; F21V 21/00; F21V
21/02; F21V 21/008
See application file for complete search history.

D929,007 S * 8/2021 Ke D26/60
D932,081 S * 9/2021 Wang D16/250
D932,681 S * 10/2021 Chen D26/104
D936,884 S * 11/2021 Lin D26/60
D956,306 S * 6/2022 Wang D26/63
D956,307 S * 6/2022 Wang D26/63
2017/0118385 A1* 4/2017 Vargas G03B 17/561
2020/0281054 A1* 9/2020 Li F21S 9/02

* cited by examiner

Primary Examiner — Wan Laymon
Assistant Examiner — Clint A Samuel

(57) **CLAIM**

The ornamental design for a plant lamp, as shown and described.

DESCRIPTION

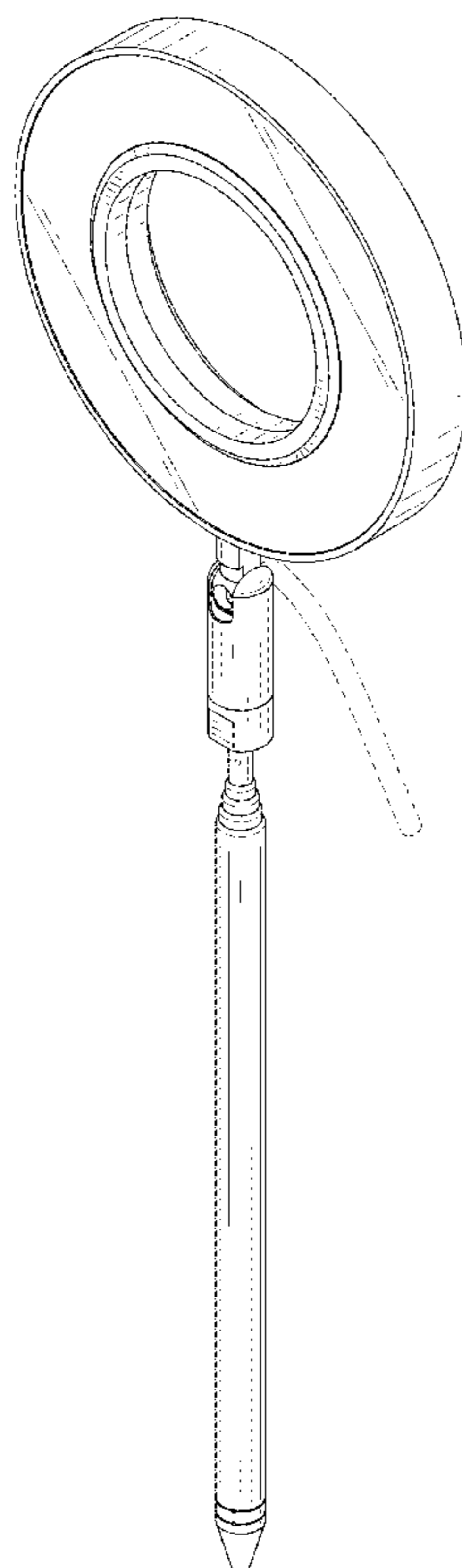
FIG. 1 is a front and top perspective view of a plant lamp, showing my new design;
FIG. 2 is a rear and bottom perspective view thereof;
FIG. 3 is a front elevation view thereof;
FIG. 4 is a rear elevation view thereof;
FIG. 5 is a left side elevation view thereof;
FIG. 6 is a right side elevation view thereof;
FIG. 7 is a top plan view thereof;
FIG. 8 is a bottom plan view thereof; and,
FIG. 9 is another perspective view thereof, shown in an alternative position.
The broken lines in the figures illustrate portions of the plant lamp that form no part of the claimed design.

1 Claim, 9 Drawing Sheets

(56) **References Cited**

U.S. PATENT DOCUMENTS

D617,035 S * 6/2010 Sabernig D26/89
D619,287 S * 7/2010 Liu D26/62
D857,273 S 8/2019 Zou
D882,843 S * 4/2020 Kaiser D26/60
D907,836 S * 1/2021 Zhou D16/237
D909,649 S * 2/2021 Chu D26/63
D924,454 S * 7/2021 Xiong D26/51



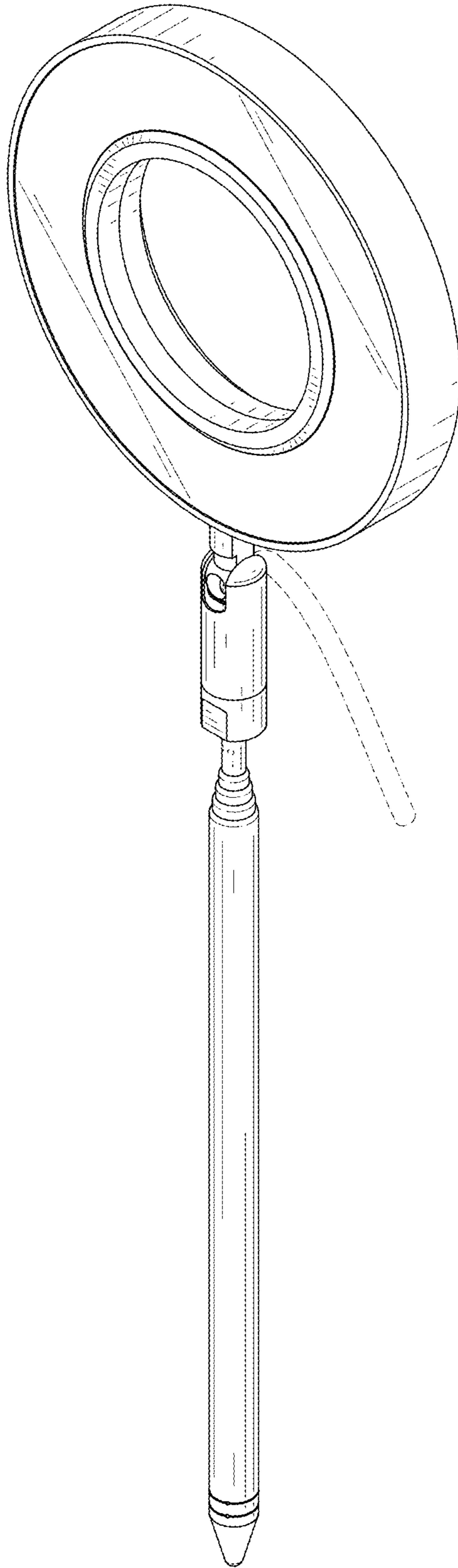


FIG. 1

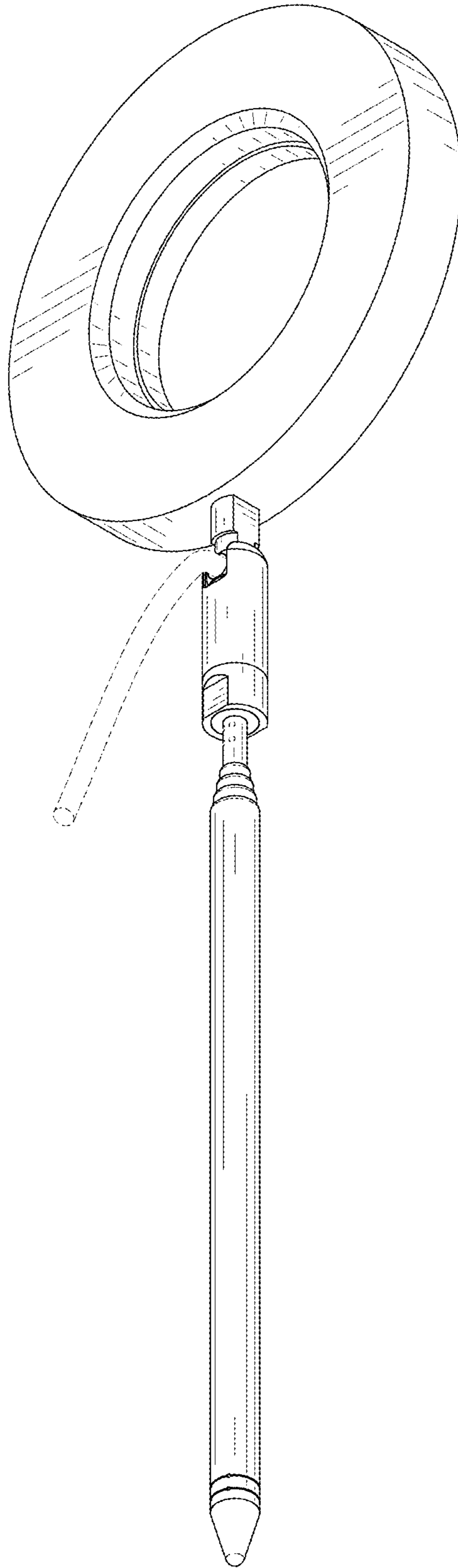


FIG. 2

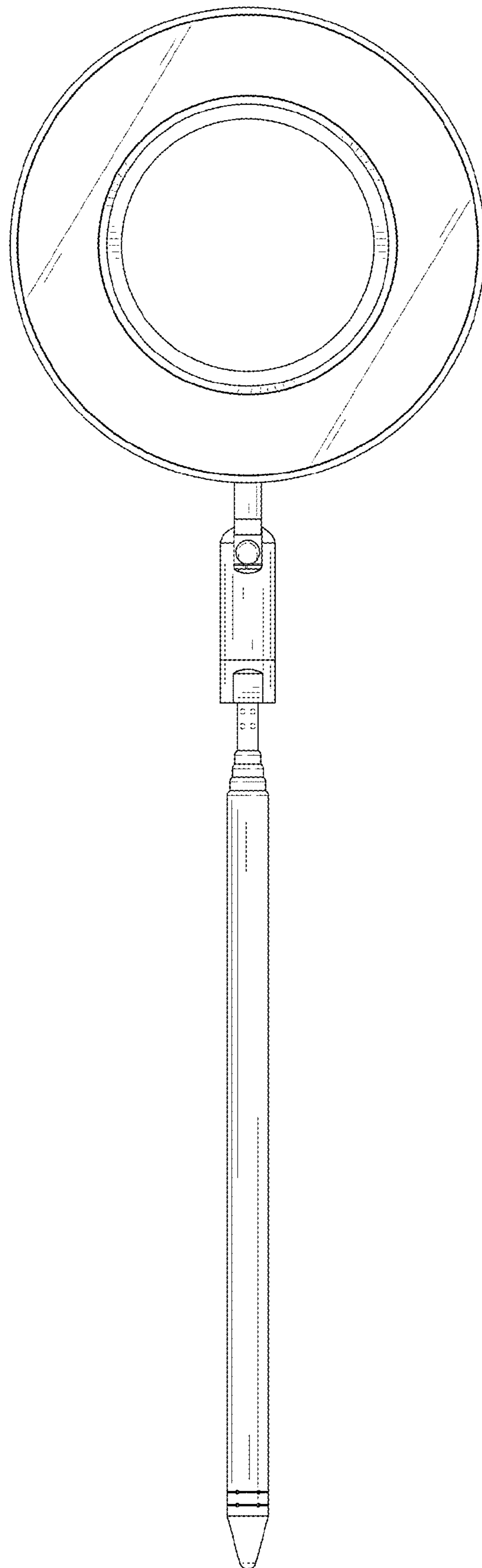


FIG. 3

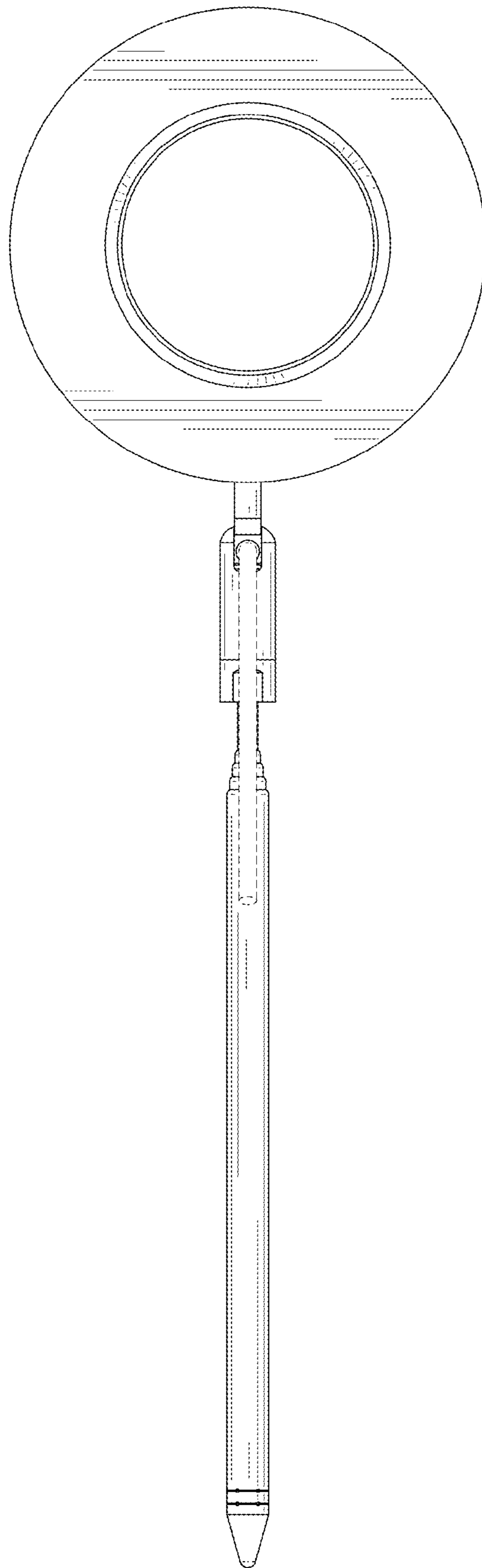


FIG. 4

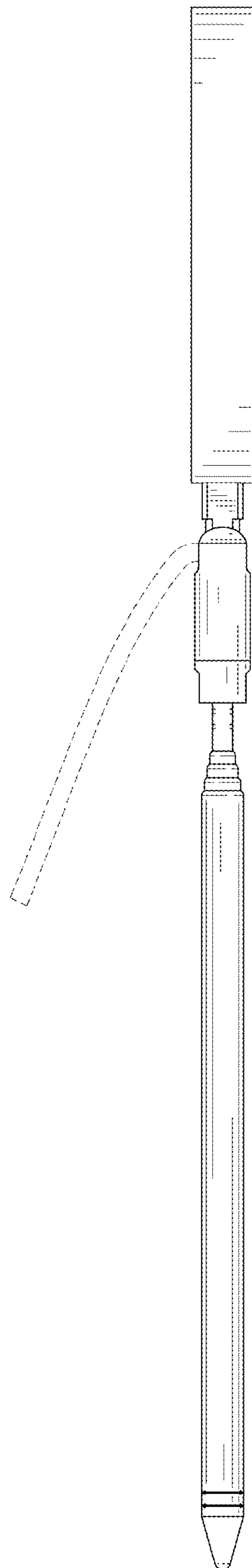


FIG. 5

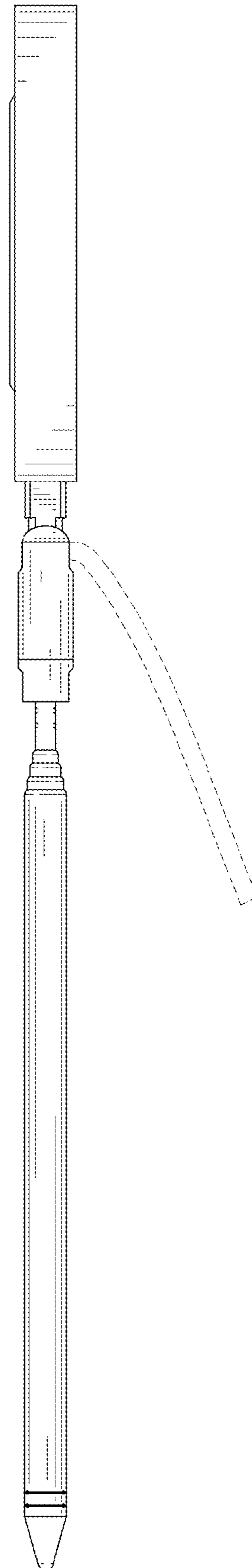


FIG. 6

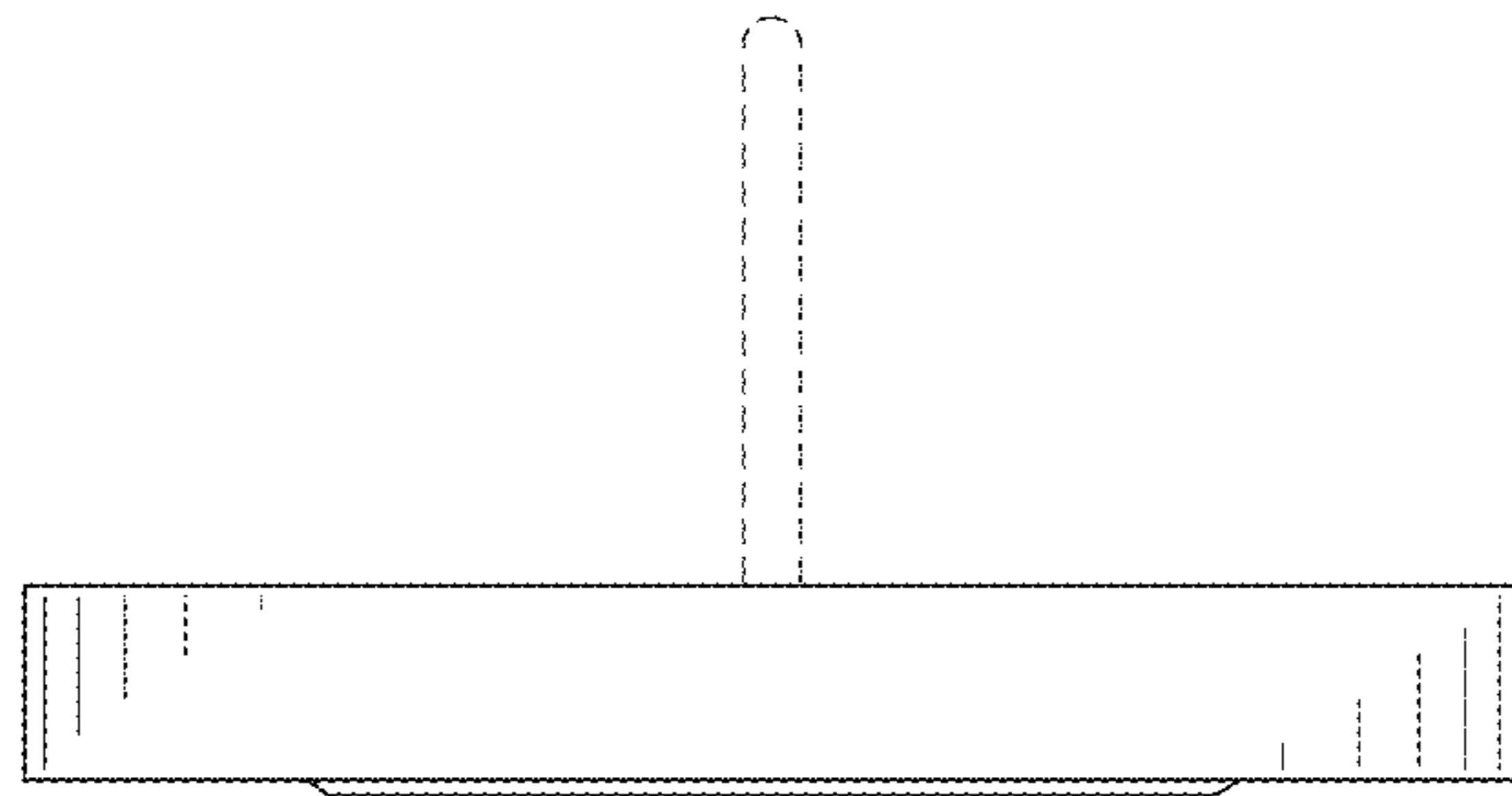


FIG. 7

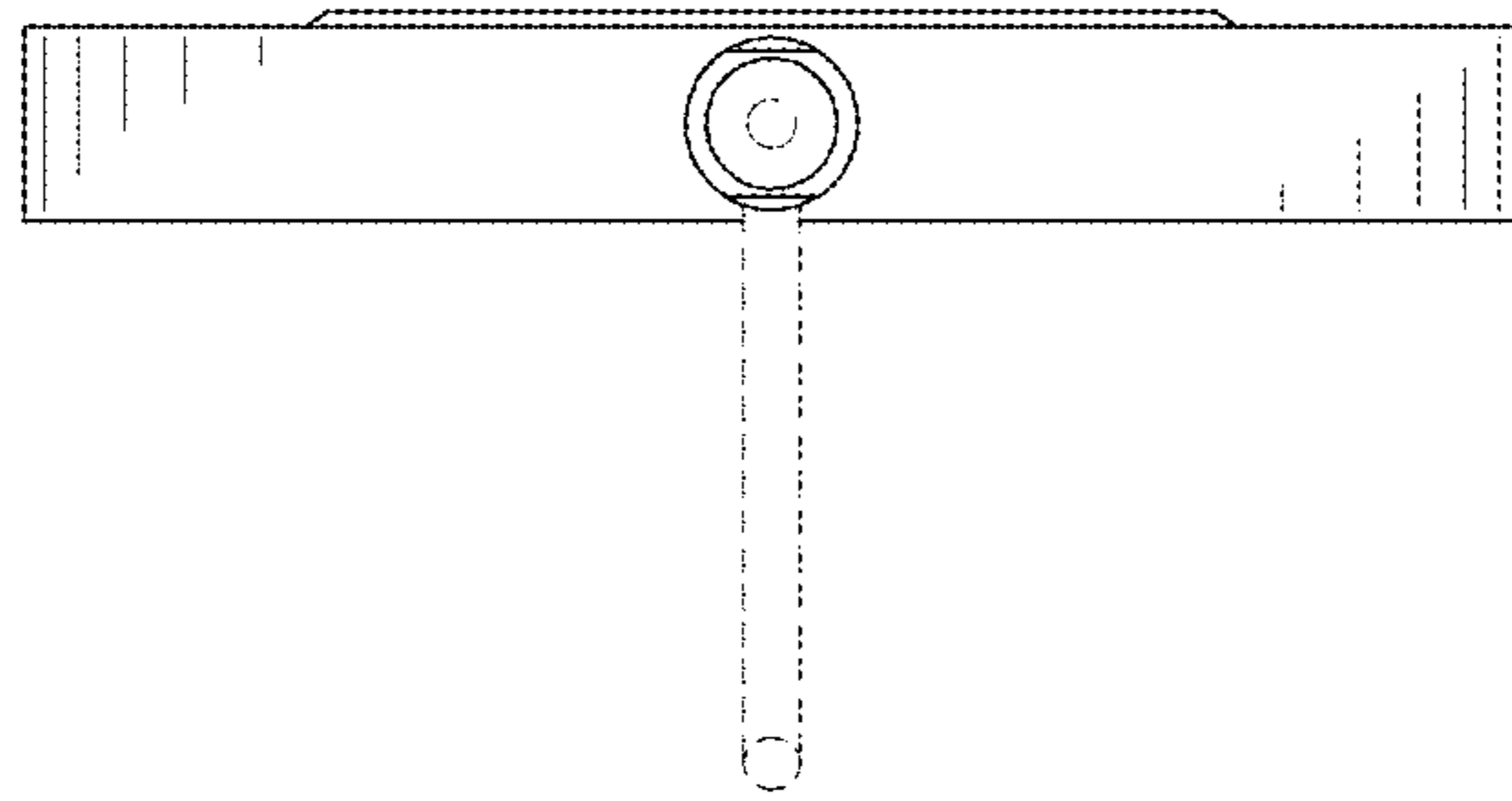


FIG. 8

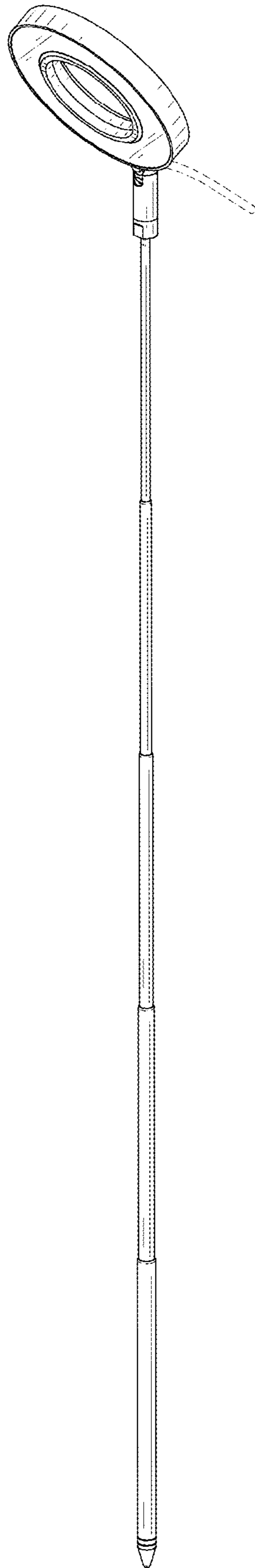


FIG. 9