



US00D971473S

(12) **United States Design Patent** (10) **Patent No.:** **US D971,473 S**  
**Gao** (45) **Date of Patent:** **\*\* Nov. 29, 2022**

(54) **PROJECTION LAMP**

FOREIGN PATENT DOCUMENTS

(71) Applicant: **ACEVEL (GD) CO., LTD**, Guangzhou (CN)

CN 303358997 \* 12/2014  
KR 300997557.0000 \* 6/2018  
KR 3020180042159 \* 9/2018

(72) Inventor: **Meiqin Gao**, Zhujiang New Town (CN)

(73) Assignee: **ACEVEL (GD) CO., LTD.**

OTHER PUBLICATIONS

(\*\*) Term: **15 Years**

“7W” reference by Shining Light on Amazon.com, date first available Oct. 25, 2019 [online], site visited Mar. 29, 2022, available from internet URL: <https://www.amazon.com/Spotlight-Gallery-Exhibition-Ceiling-Mounted/dp/B07ZKKDG9Z> (Year: 2019).\*

(21) Appl. No.: **29/759,779**

(Continued)

(22) Filed: **Nov. 25, 2020**

*Primary Examiner* — Marissa J Cash

*Assistant Examiner* — Liv C Anderson

(30) **Foreign Application Priority Data**

(74) *Attorney, Agent, or Firm* — Foley & Lardner LLP

Aug. 12, 2020 (CN) ..... 202030457748.0

(51) **LOC (13) Cl.** ..... **26-05**

(52) **U.S. Cl.**  
USPC ..... **D26/63**

(57) **CLAIM**

I claim the ornamental design for a projection lamp, as shown and described.

(58) **Field of Classification Search**

**DESCRIPTION**

USPC ... D26/1, 24, 35, 44, 61, 63, 65, 66, 72, 80,  
D26/60, 76, 81, 83, 84, 93

CPC .... F21S 8/00; F21S 8/003; F21S 8/033; F21S  
9/03; F21S 9/037; F21V 23/0471; F21V  
21/26; F21V 21/30; F21W 2131/10;  
F21W 2131/107

See application file for complete search history.

FIG. 1 is a perspective view of the claimed design;  
FIG. 2 is a front view of the claimed design shown in FIG. 1;

FIG. 3 is a rear view of the claimed design shown in FIG. 1;

FIG. 4 is a left side view of the claimed design shown in FIG. 1;

FIG. 5 is a right side view of the claimed design shown in FIG. 1;

FIG. 6 is a top view of the claimed design shown in FIG. 1; and,

FIG. 7 is a bottom view of the claimed design shown in FIG. 1.

The ornamental design which is claimed is shown in solid lines in the drawings. The broken lines in the drawings depict portions of the projection lamp that form no part of the claimed design.

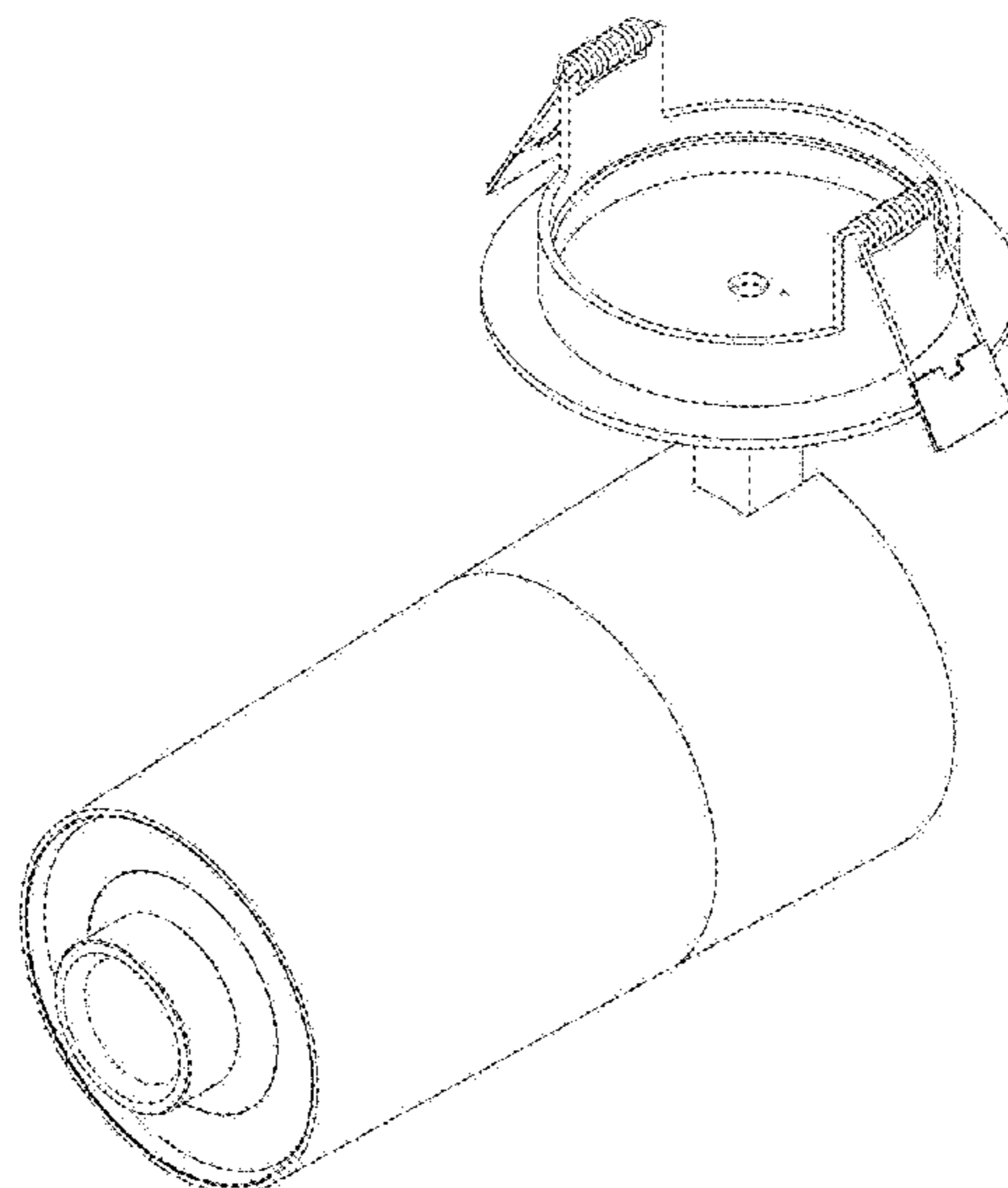
(56) **References Cited**

U.S. PATENT DOCUMENTS

D646,010 S \* 9/2011 Janssen ..... D26/63  
D659,281 S \* 5/2012 Patkus ..... D26/137  
D754,241 S \* 4/2016 Ferro ..... D26/63  
D773,091 S \* 11/2016 Nouvel ..... D26/63  
D787,730 S \* 5/2017 Gines ..... D26/63  
D788,344 S \* 5/2017 Gecchelin ..... D26/63  
D799,093 S \* 10/2017 Terumichi ..... D26/63  
D799,739 S \* 10/2017 Dean ..... D26/128

(Continued)

**1 Claim, 7 Drawing Sheets**



(56)

**References Cited**

U.S. PATENT DOCUMENTS

D800,363	S	*	10/2017	Terumichi	.....	F21V 21/30
						D26/63
D821,625	S	*	6/2018	Couvreur	.....	D26/63
D859,717	S	*	9/2019	Martinez Weber	.....	D26/63
D887,057	S	*	6/2020	Healey	.....	D26/63
D917,754	S	*	4/2021	Dean	.....	D26/44
D958,436	S	*	7/2022	Holscher	.....	D26/74
2017/0211800	A1	*	7/2017	Chiu	.....	F21V 23/06
2018/0119925	A1	*	5/2018	Yamae	.....	F21V 5/004

OTHER PUBLICATIONS

“Recessed” reference by Shining Light on Amazon.com, date first available Oct. 9, 2019 [online], site visited Mar. 29, 2022, available from internet URL: <https://www.amazon.com/Recessed-Spotlights-Retractable-Rotating-Gallery/dp/B07YWZ2XZN> (Year: 2019).\*

“LEASTYLE” reference by Rainbow iris on Amazon.com, date first available Feb. 17, 2020 [online], site visited Mar. 29, 2022, available from internet URL: <https://www.amazon.com/LEASTYLE-Wireless-Operated-Spotlight-Rotatable/dp/B085HDKJHN> (Year: 2020).\*

“FLSNT” reference by FLSNT on Amazon.com, date first available Mar. 3, 2019 [online], site visited Mar. 29, 2022, available from internet URL: <https://www.amazon.com/dp/B07P7FMKZK/> (Year: 2019).\*

“Aisilan” reference by Aisilan Lighting on Amazon.com, date first available Aug. 2, 2019 [online], site visited Mar. 29, 2022, available from internet URL: <https://www.amazon.com/Aisilan-Adjustable-Degrees-Downlight-MSD015PB3K12W/dp/B07VYZ716R/> (Year: 2019).\*

“BRILLRAYDO” reference by Topeed on Amazon.com, date first available Jun. 25, 2018 [online], site visited Mar. 29, 2022, available from internet URL: <https://www.amazon.com/BRILLRAYDO-Directional-Spotlight-Adjustable-White-Finish/dp/B07DZXSS1V> (Year: 2018).\*

\* cited by examiner

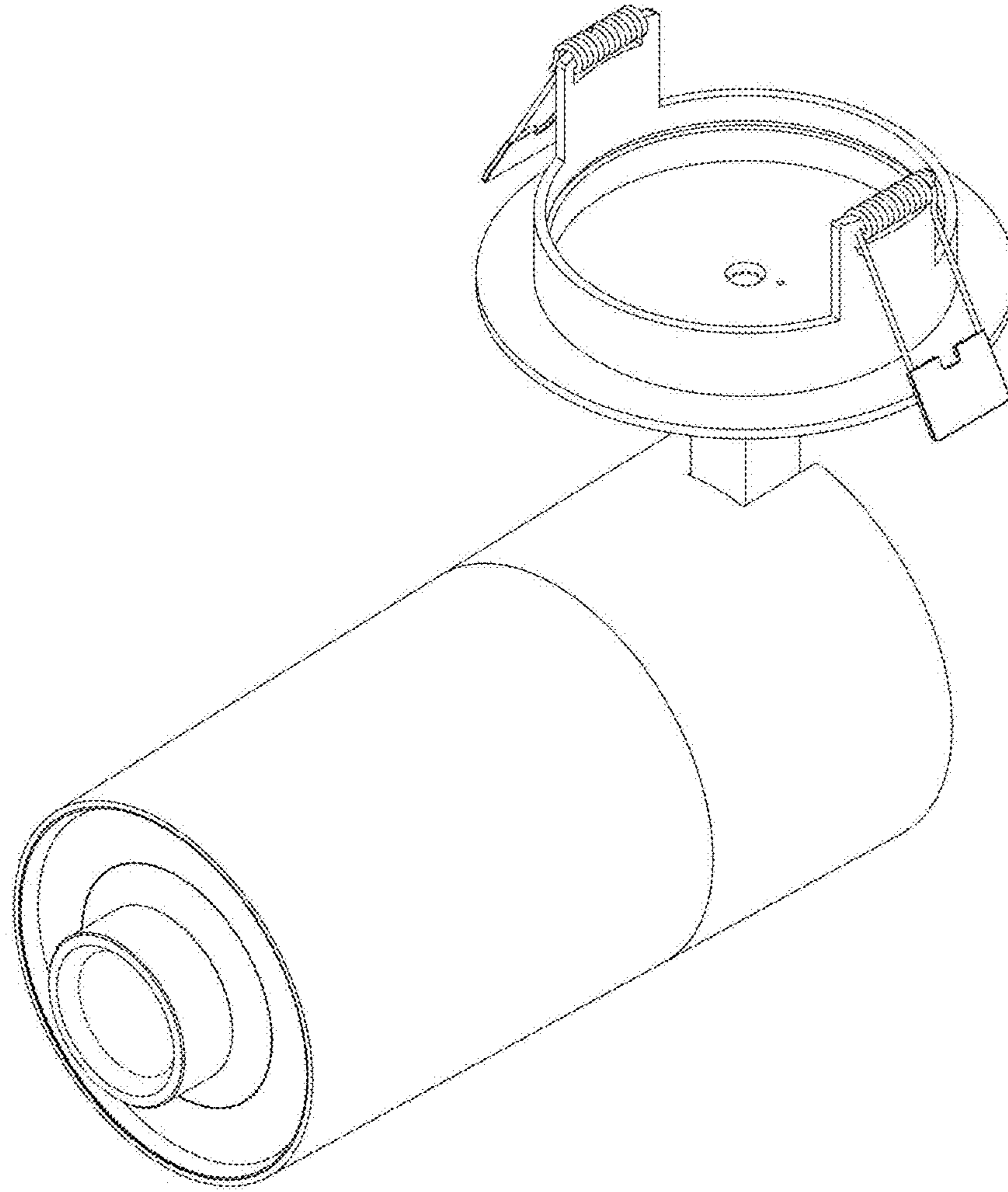


FIG. 1

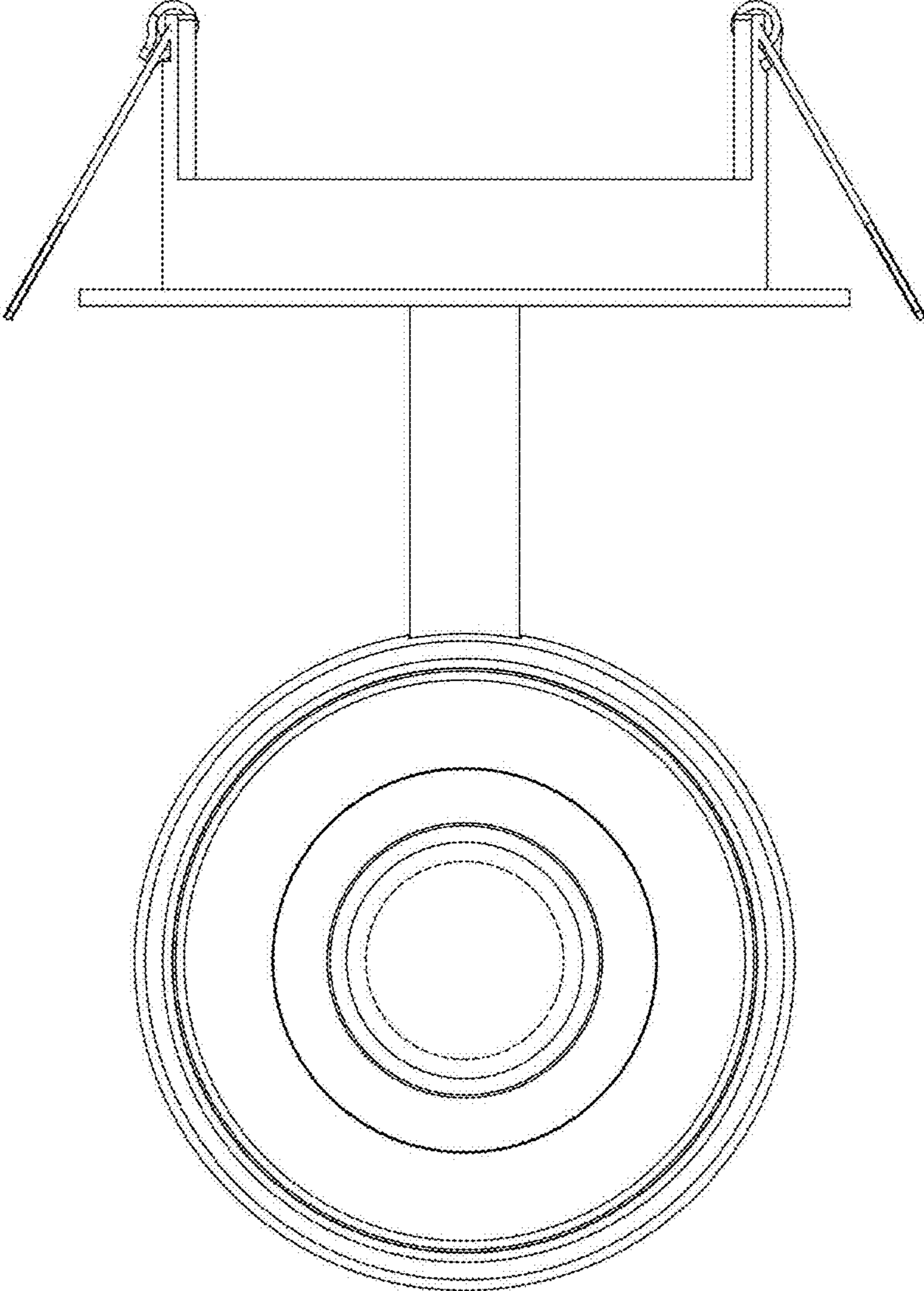


FIG. 2

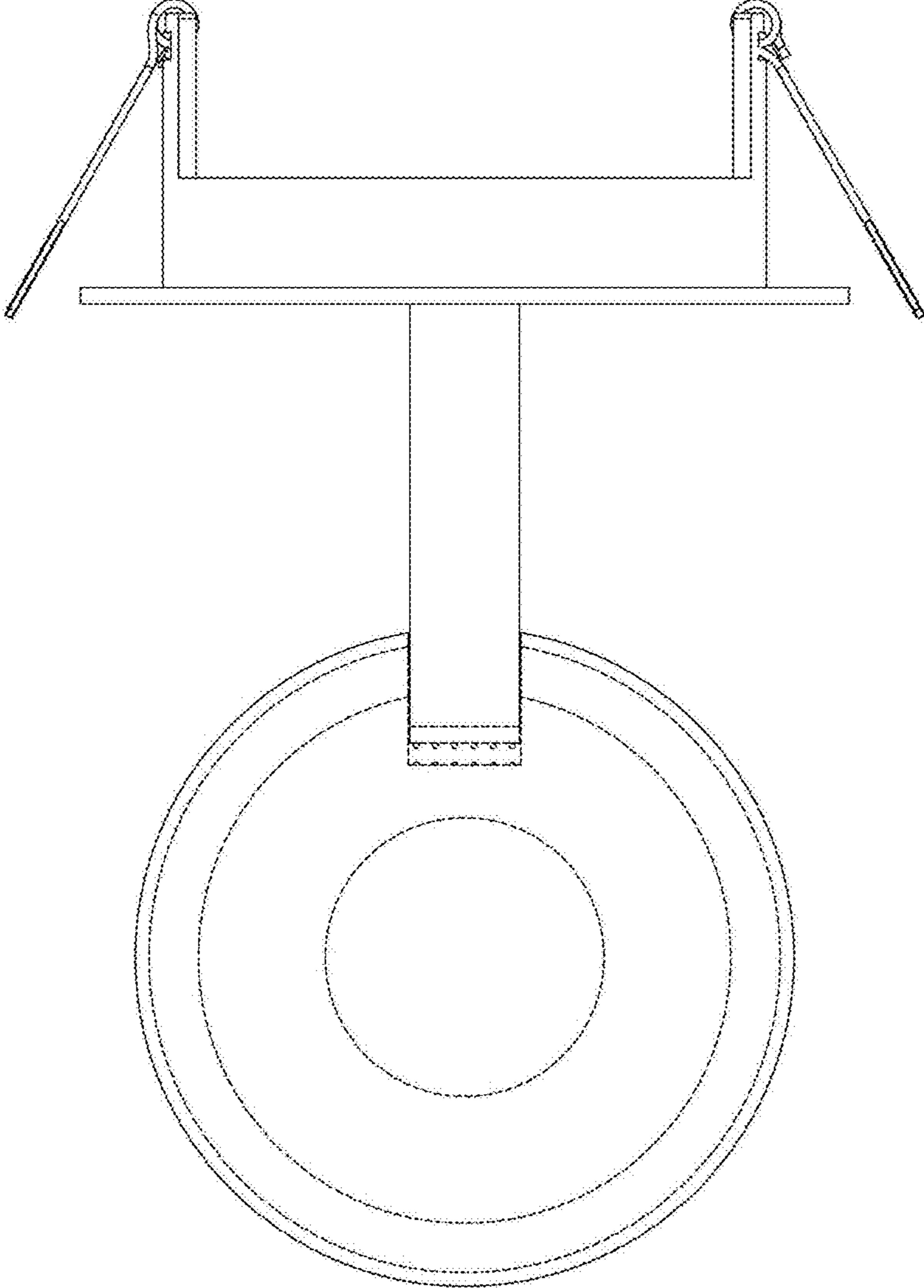


FIG. 3

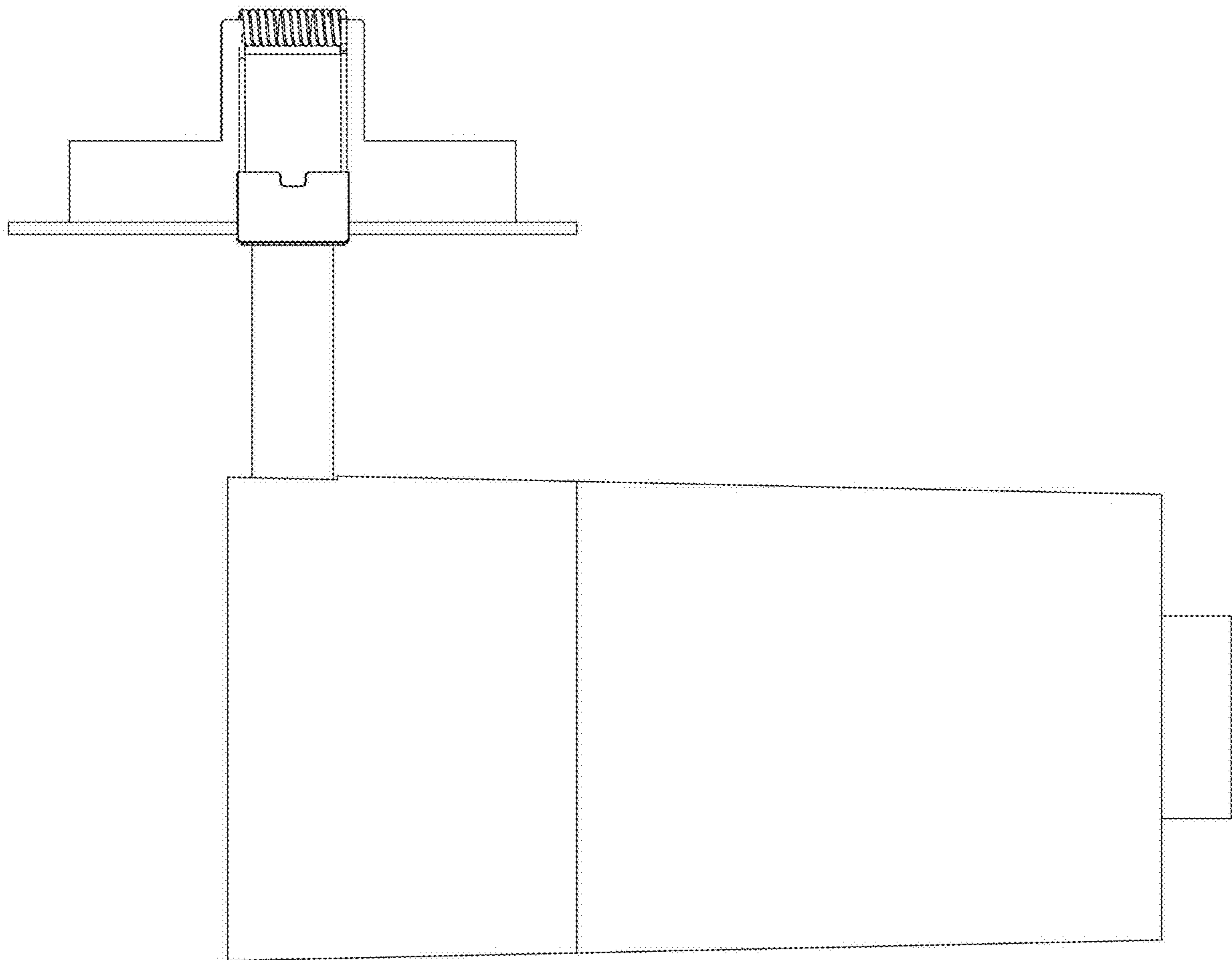


FIG. 4

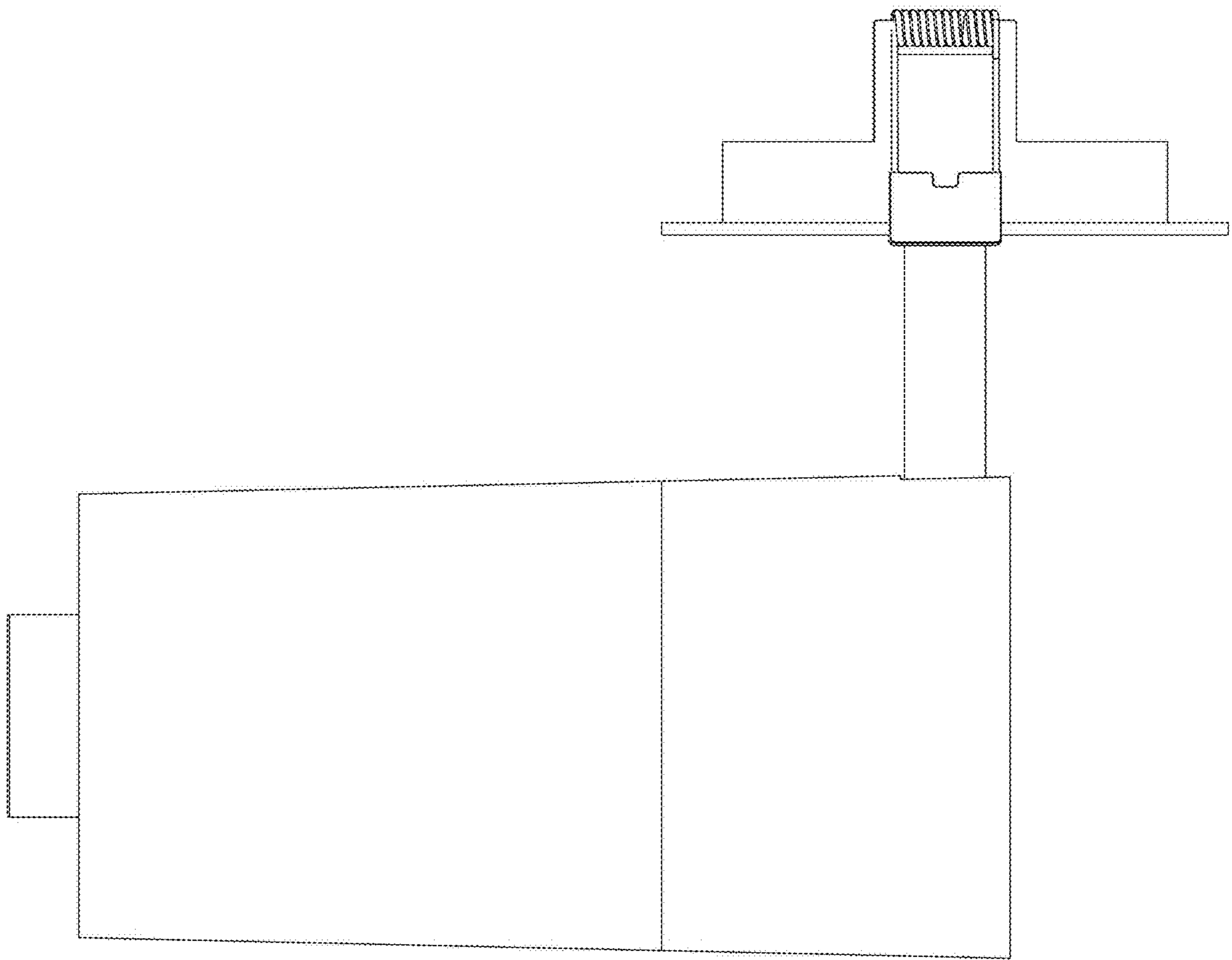


FIG. 5

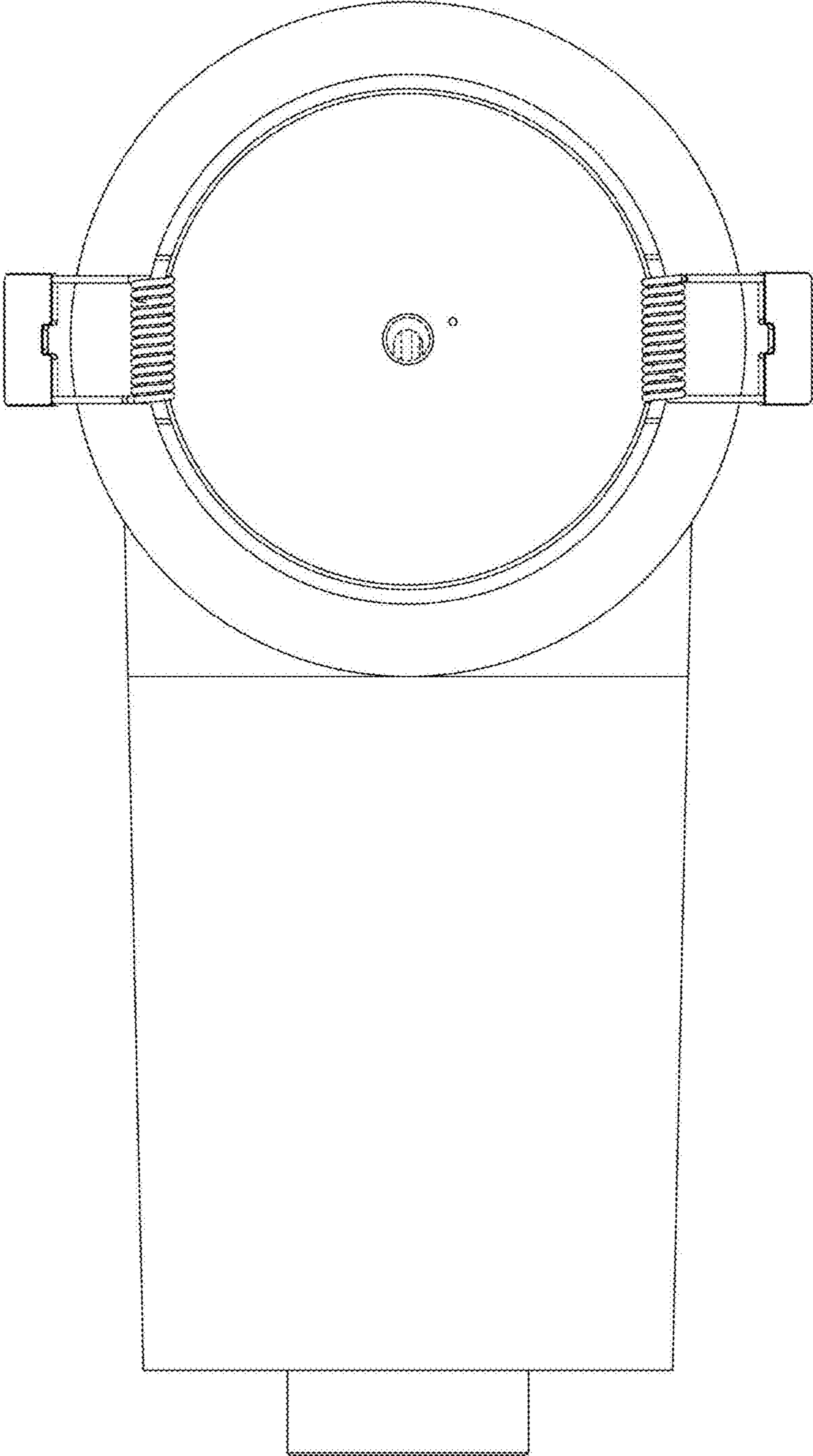


FIG. 6



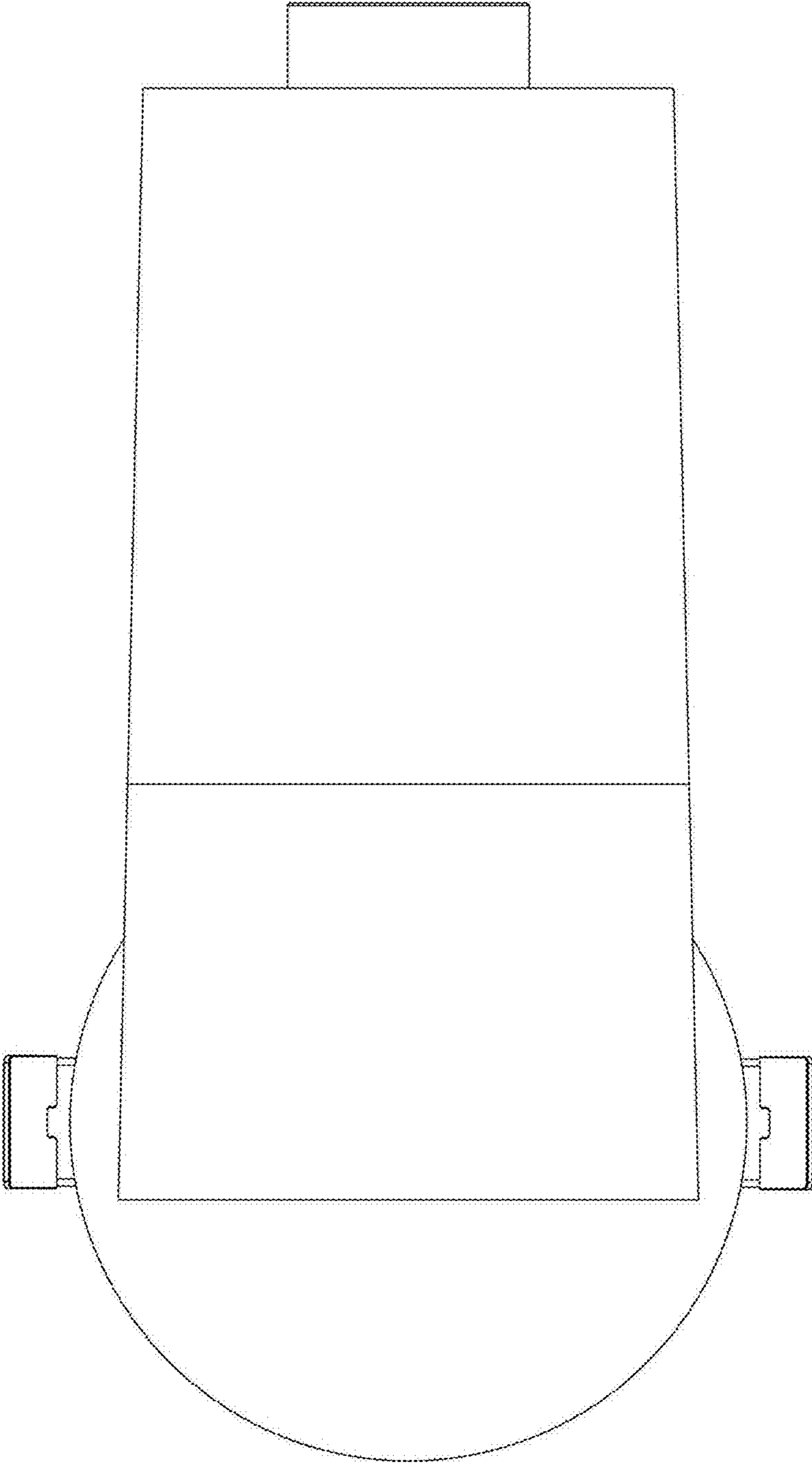


FIG. 7