



US00D971472S

(12) **United States Design Patent**
Sheng et al.

(10) **Patent No.: US D971,472 S**

(45) **Date of Patent: ** Nov. 29, 2022**

(54) **OUTDOOR LIGHT**

(71) Applicant: **Wonderful (HangZhou) Smart Home Co., Ltd.**, Hangzhou (CN)

(72) Inventors: **Chuanxin Sheng**, Hangzhou (CN); **Hao Lv**, Hangzhou (CN); **Pengcheng Huang**, Hangzhou (CN)

(**) Term: **15 Years**

(21) Appl. No.: **29/801,482**

(22) Filed: **Jul. 29, 2021**

(51) **LOC (13) Cl.** **26-02**

(52) **U.S. Cl.**
USPC **D26/50; D26/63**

(58) **Field of Classification Search**
USPC D26/24, 60, 61, 63, 65, 72, 85, 113, 118,
D26/124, 40, 41, 50
CPC F21S 8/00; F21S 8/003; F21S 8/043; F21S
10/00; F21V 17/00; F21V 21/14; F21V
21/26; F21W 2131/10; F21W 2131/107;
F21W 2131/109; F21W 2131/406
See application file for complete search history.

(56) **References Cited**

U.S. PATENT DOCUMENTS

D263,507 S	*	3/1982	Wong	D26/44
D315,610 S	*	3/1991	Joosten	D26/24
D364,476 S	*	11/1995	Pettersen	D26/50
D429,832 S	*	8/2000	Poon	D26/40
D482,816 S	*	11/2003	Packer	D26/89
D531,748 S		11/2006	Sanoner		
D586,491 S	*	2/2009	Levine	D26/63
D655,028 S		2/2012	Cravedi		
D689,232 S	*	9/2013	Velazquez	F21V 23/06
					D26/63
D693,500 S	*	11/2013	Souvay	D26/44
D703,354 S	*	4/2014	Kotsis	D26/37
D758,636 S		6/2016	Breedlove, Sr.		
D815,769 S	*	4/2018	Gong	D26/63
D824,560 S	*	7/2018	Qiu	D26/63

(Continued)

FOREIGN PATENT DOCUMENTS

CN	306944974	*	11/2021
EM	008633077-0001	*	8/2021
GB	6151291	*	7/2021

OTHER PUBLICATIONS

Greenlight Planet Portable Solar Lantern, Oct. 29, 2019, Amazon.com, site visited Jul. 6, 2022, url: <https://www.amazon.com/dp/B07V7SHPWK/> (Year: 2019).*

(Continued)

Primary Examiner — T Chase Nelson

Assistant Examiner — Rachel Wolfe

(74) *Attorney, Agent, or Firm* — Runit R. Kanakia

(57) **CLAIM**

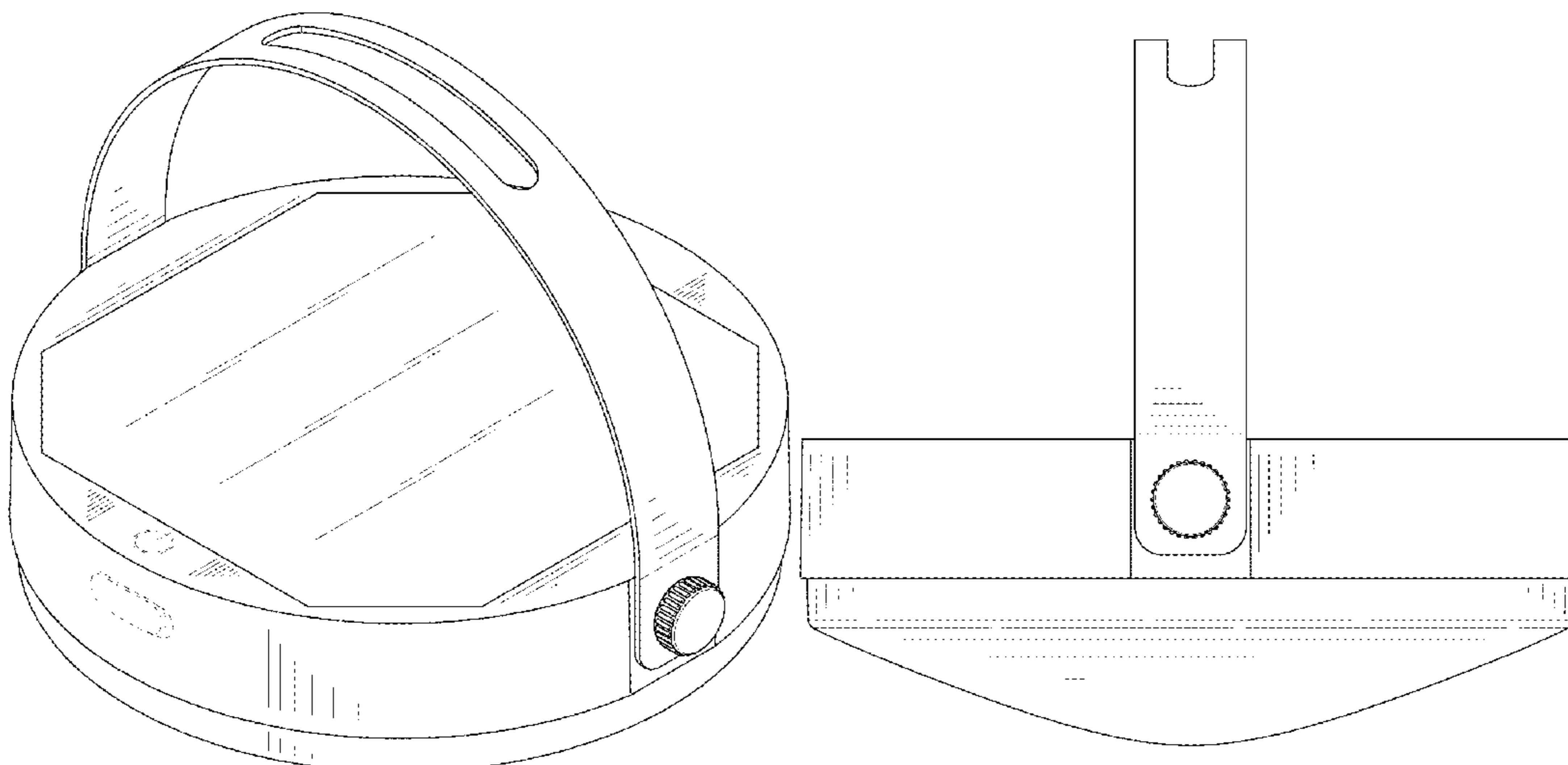
The ornamental design for an outdoor light, as shown and described.

DESCRIPTION

FIG. 1 is a first perspective view of an outdoor light showing our new design;
FIG. 2 is a second perspective view thereof;
FIG. 3 is a front view thereof;
FIG. 4 is a back view thereof;
FIG. 5 is a left side view thereof;
FIG. 6 is a right side view thereof;
FIG. 7 is a top view thereof;
FIG. 8 is a bottom view thereof;
FIG. 9 is a perspective view of another state of the outdoor light thereof; and,
FIG. 10 is an enlarged view of the selected portion in FIG. 2.

The broken lines of alternating length are for the purpose of illustrating the boundaries of the enlarged fragment shown in FIG. 10 and form no part of the claimed design.

1 Claim, 10 Drawing Sheets



(56)

References Cited

U.S. PATENT DOCUMENTS

D825,805 S * 8/2018 Jurik D26/63
D825,806 S * 8/2018 Jurik D26/63
D832,480 S * 10/2018 Qiu D26/41
D845,530 S * 4/2019 Yu F21V 23/06
D26/63
D849,293 S * 5/2019 Ko F21V 29/80
D26/36
D860,492 S * 9/2019 Wang D26/41
D866,828 S * 11/2019 Pedersen D26/41
D900,373 S * 10/2020 Richardson D26/63
D901,740 S * 11/2020 Bao D26/44
D910,218 S * 2/2021 Somasekar D26/63
D915,651 S * 4/2021 Tan D26/63
2012/0287627 A1 * 11/2012 Campbell F21V 29/80
29/592.1
2018/0306426 A1 * 10/2018 Patterson F21V 21/30

OTHER PUBLICATIONS

NPET Camping Lantern Rechargeable Solar Lantern, Sep. 9, 2020, Amazon.com, site visited Jul. 6, 2022, url: <https://www.amazon.com/dp/B08HQGSSMQ/> (Year: 2020).*

Eventek LED Camping Lantern, Sep. 8, 2020, Amazon.com, site visited Jul. 6, 2022, url: <https://www.amazon.com/dp/B08HVMVJ1RY/> (Year: 2020).*

* cited by examiner

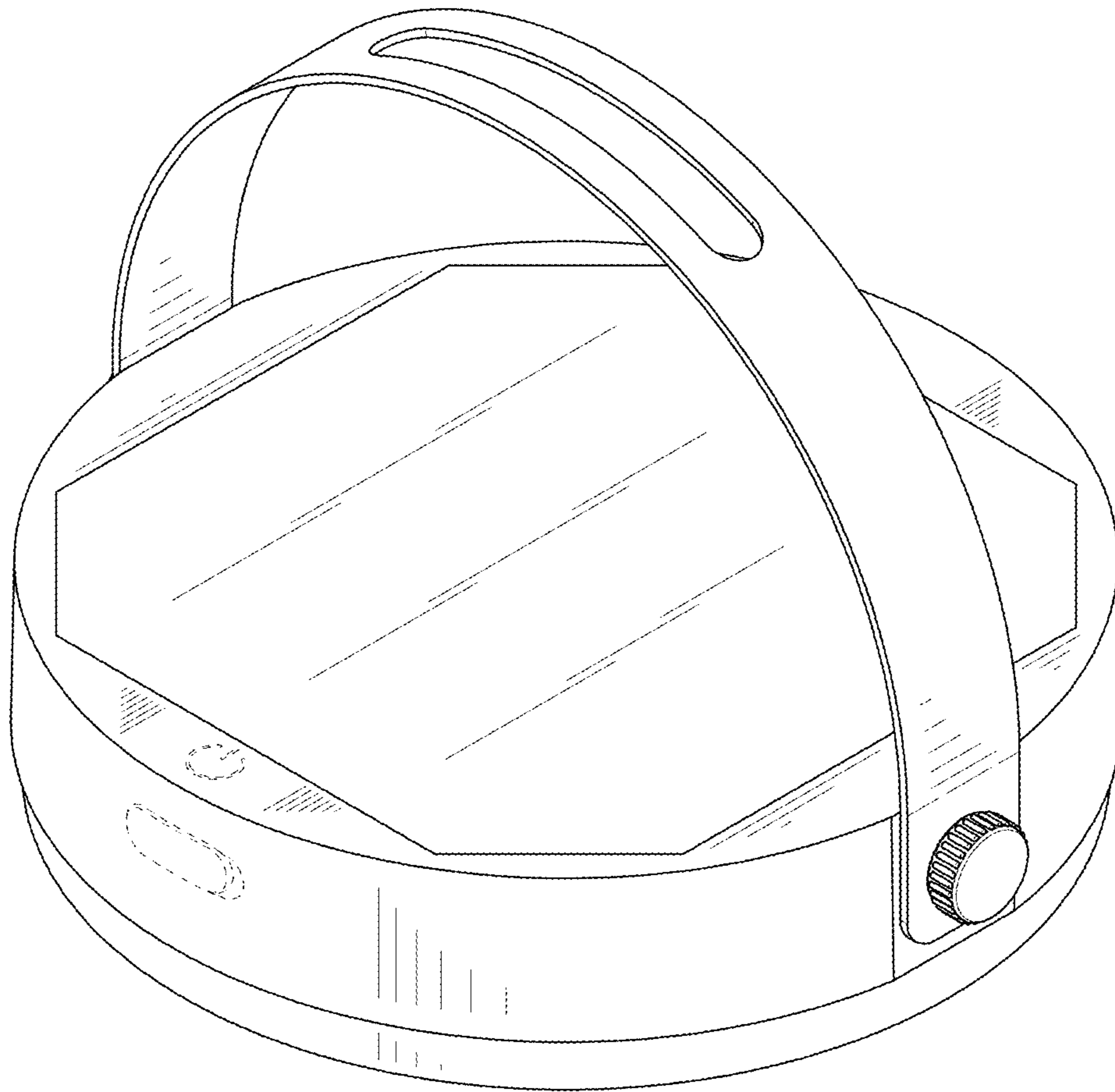


FIG. 1

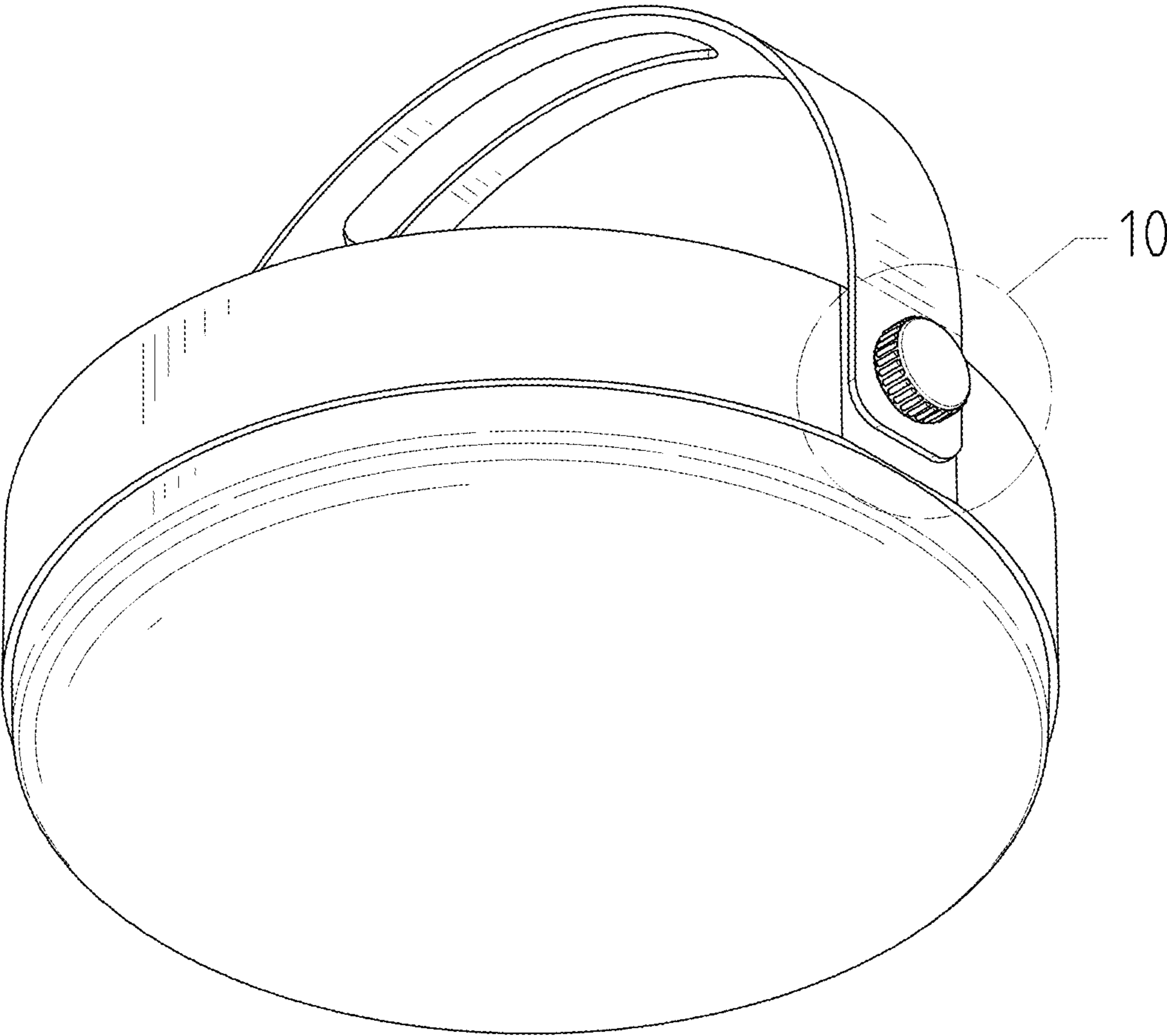


FIG. 2

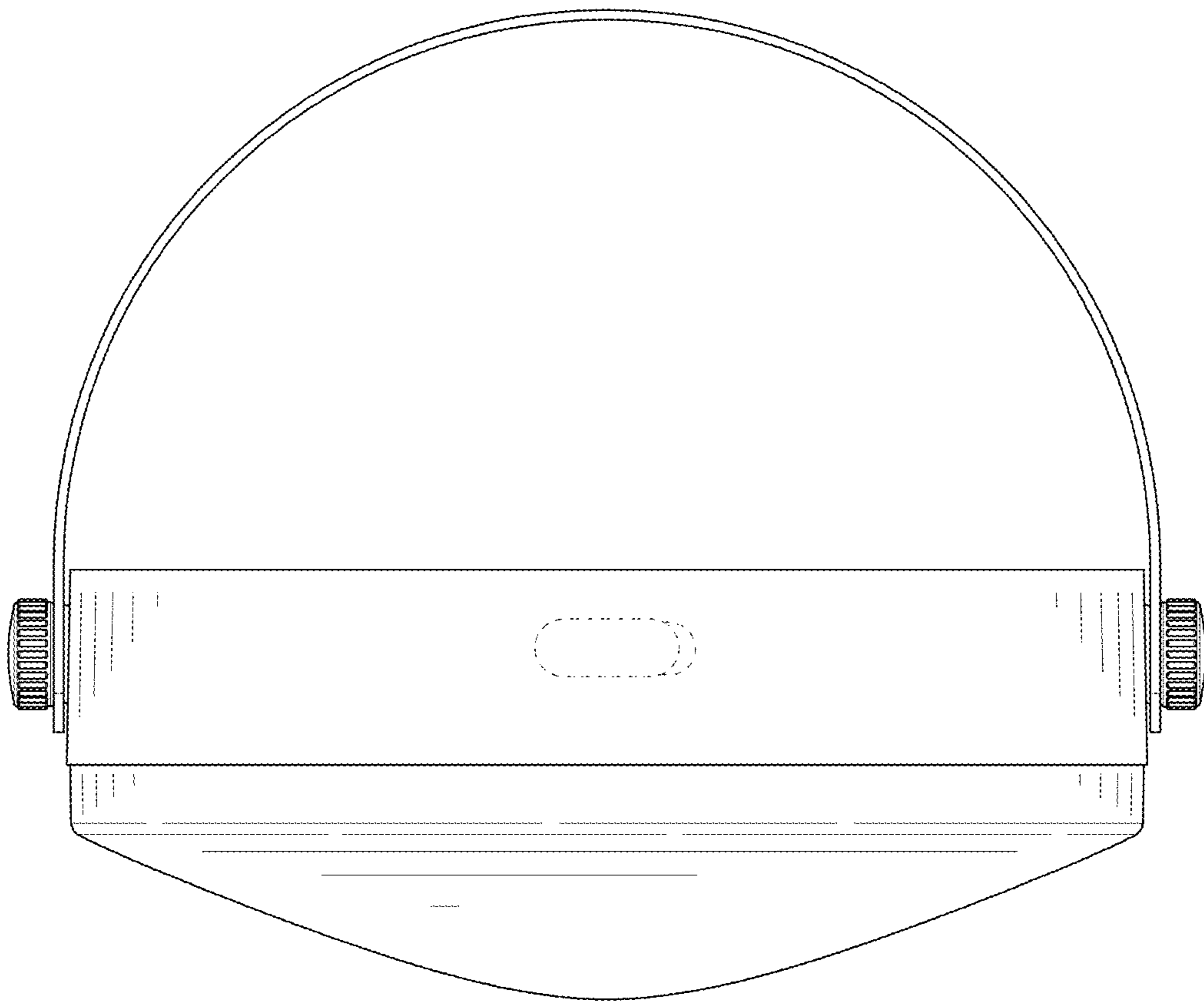


FIG. 3

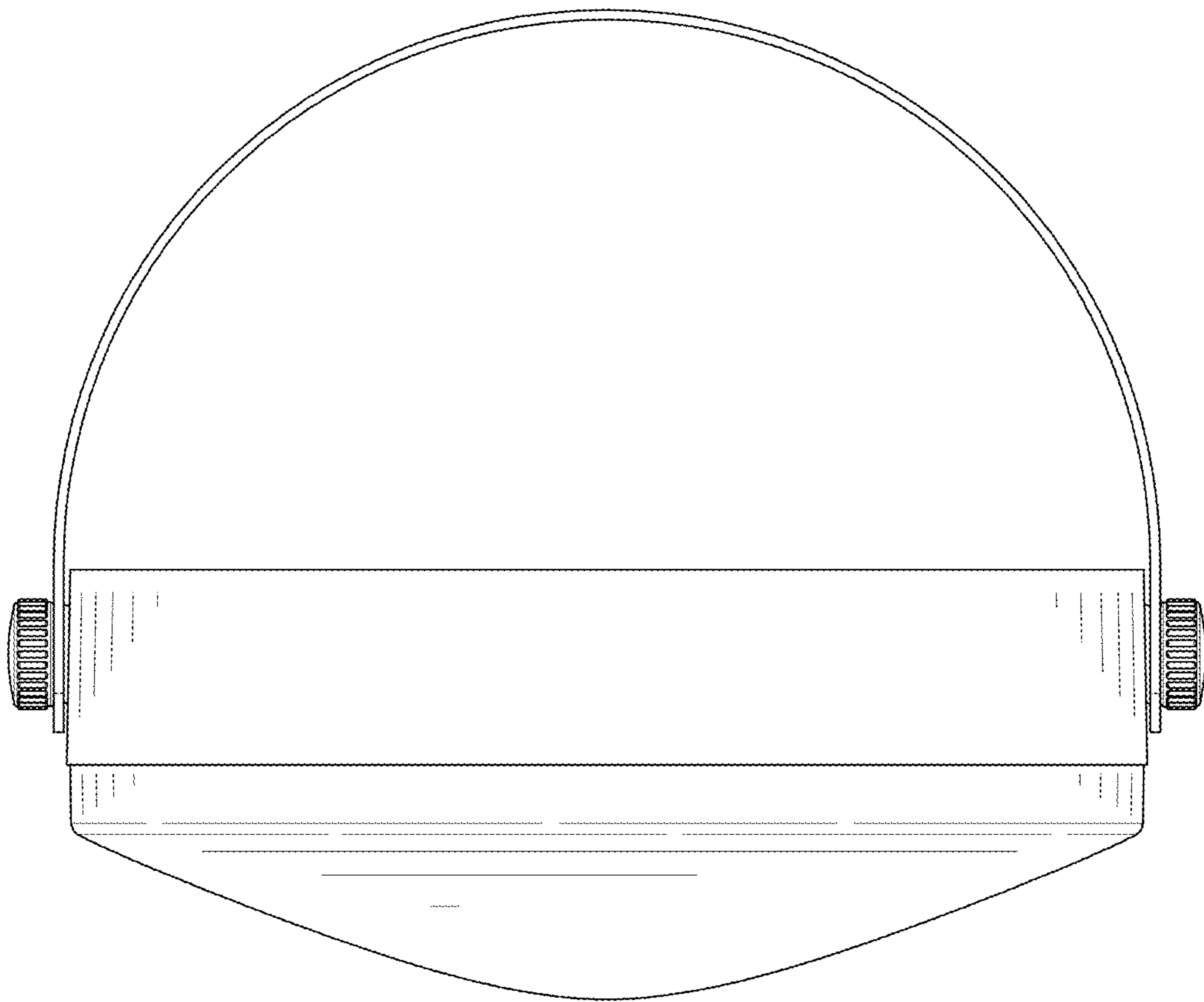


FIG. 4

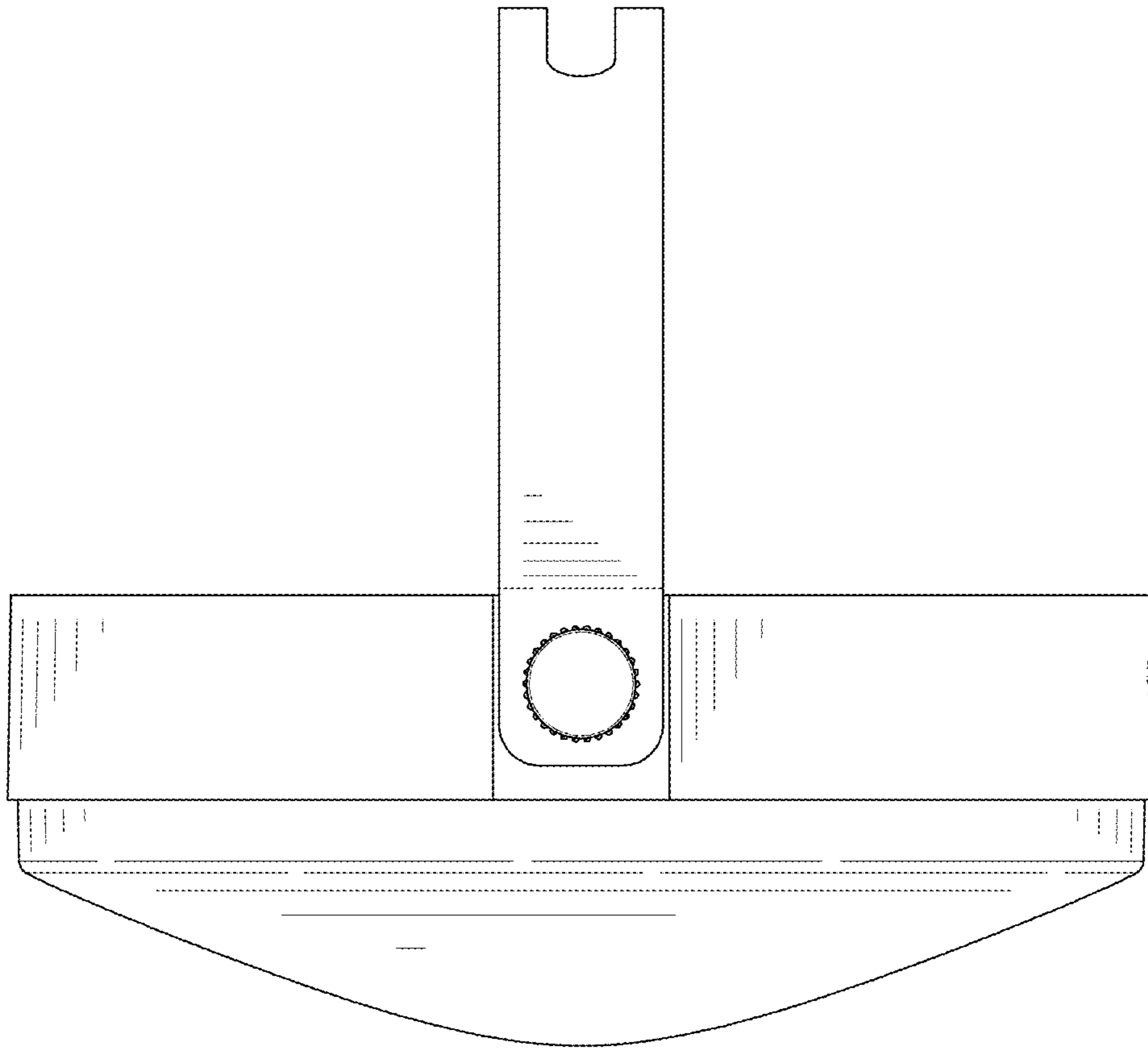


FIG. 5

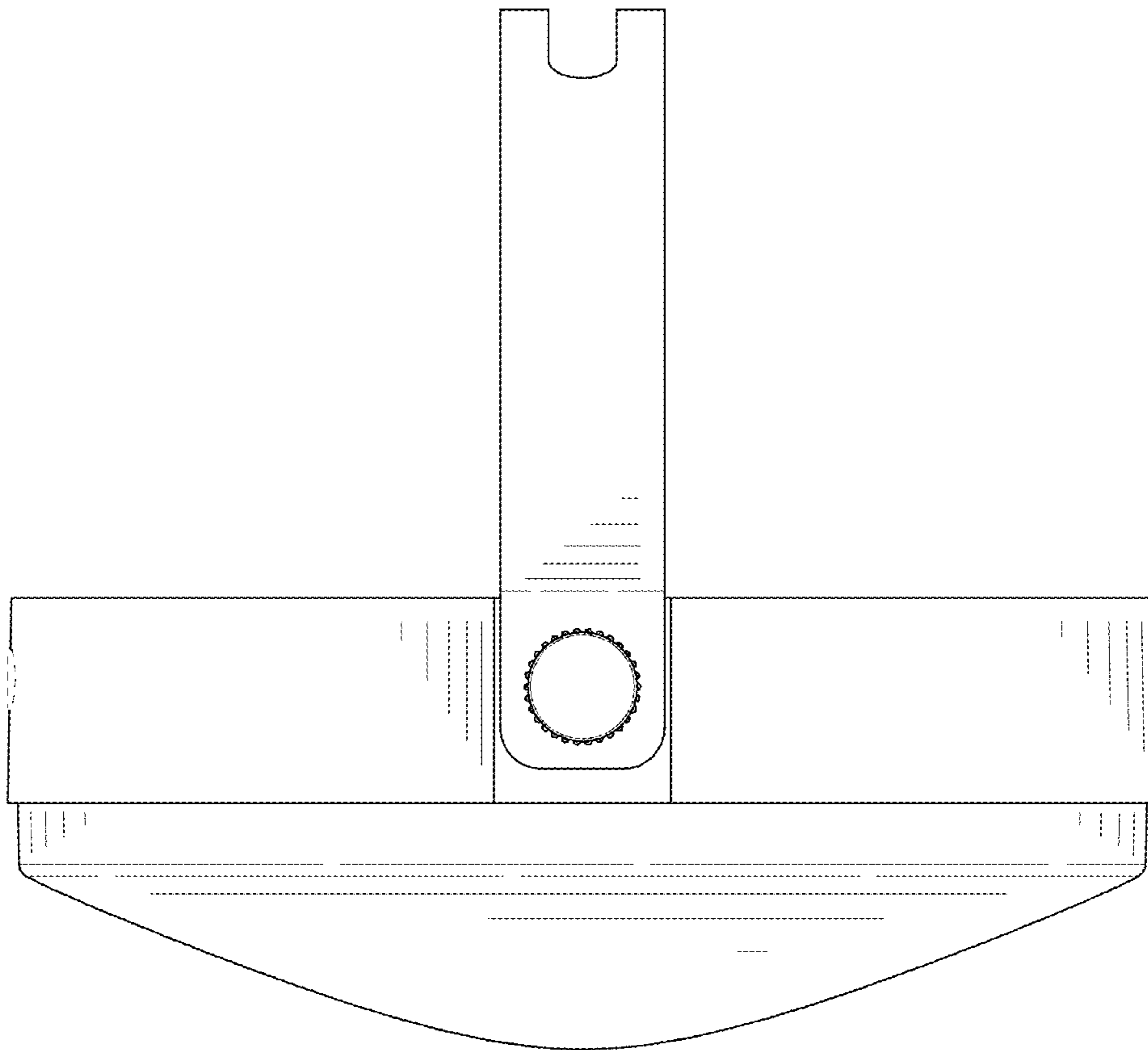


FIG. 6

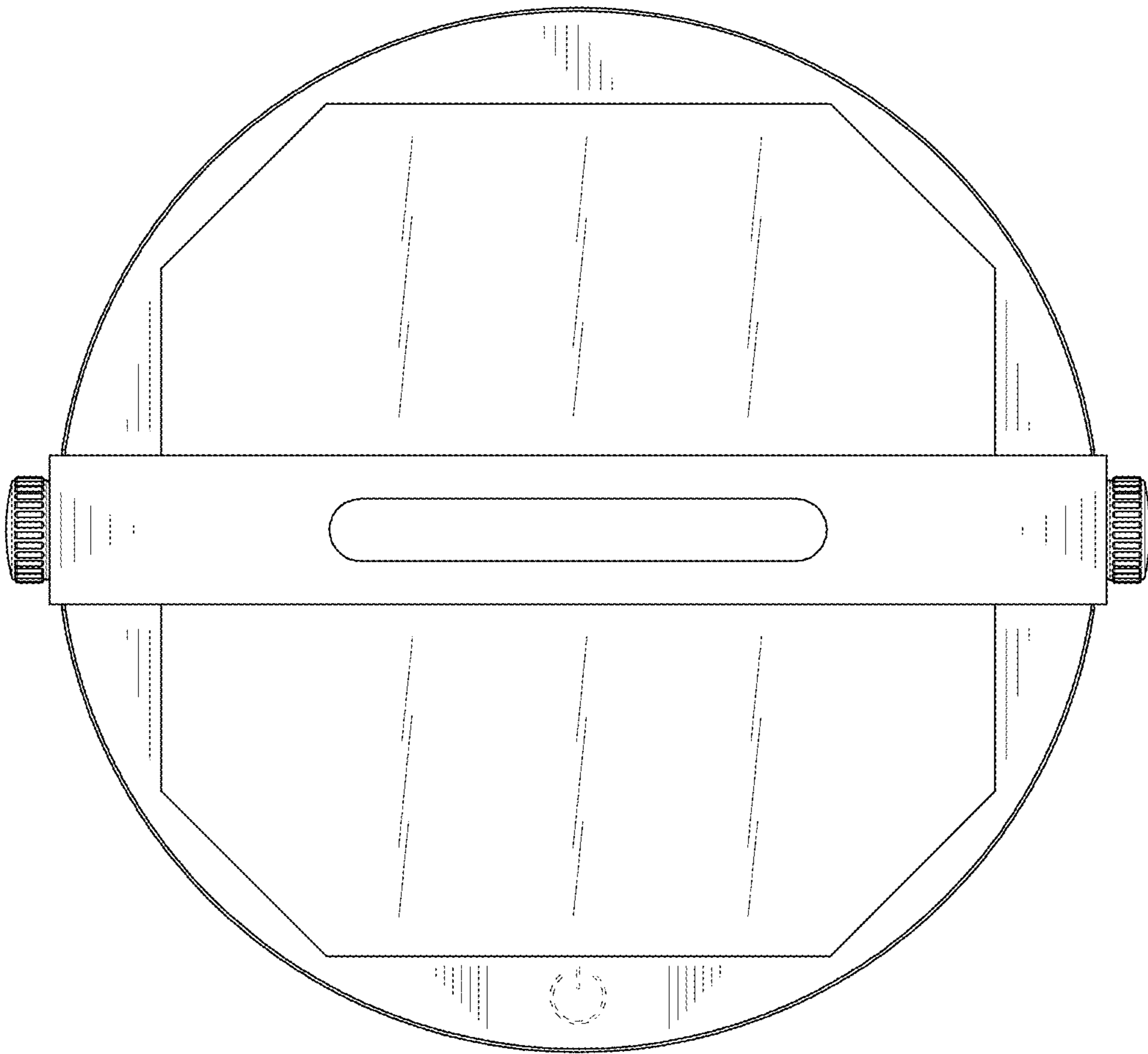


FIG. 7

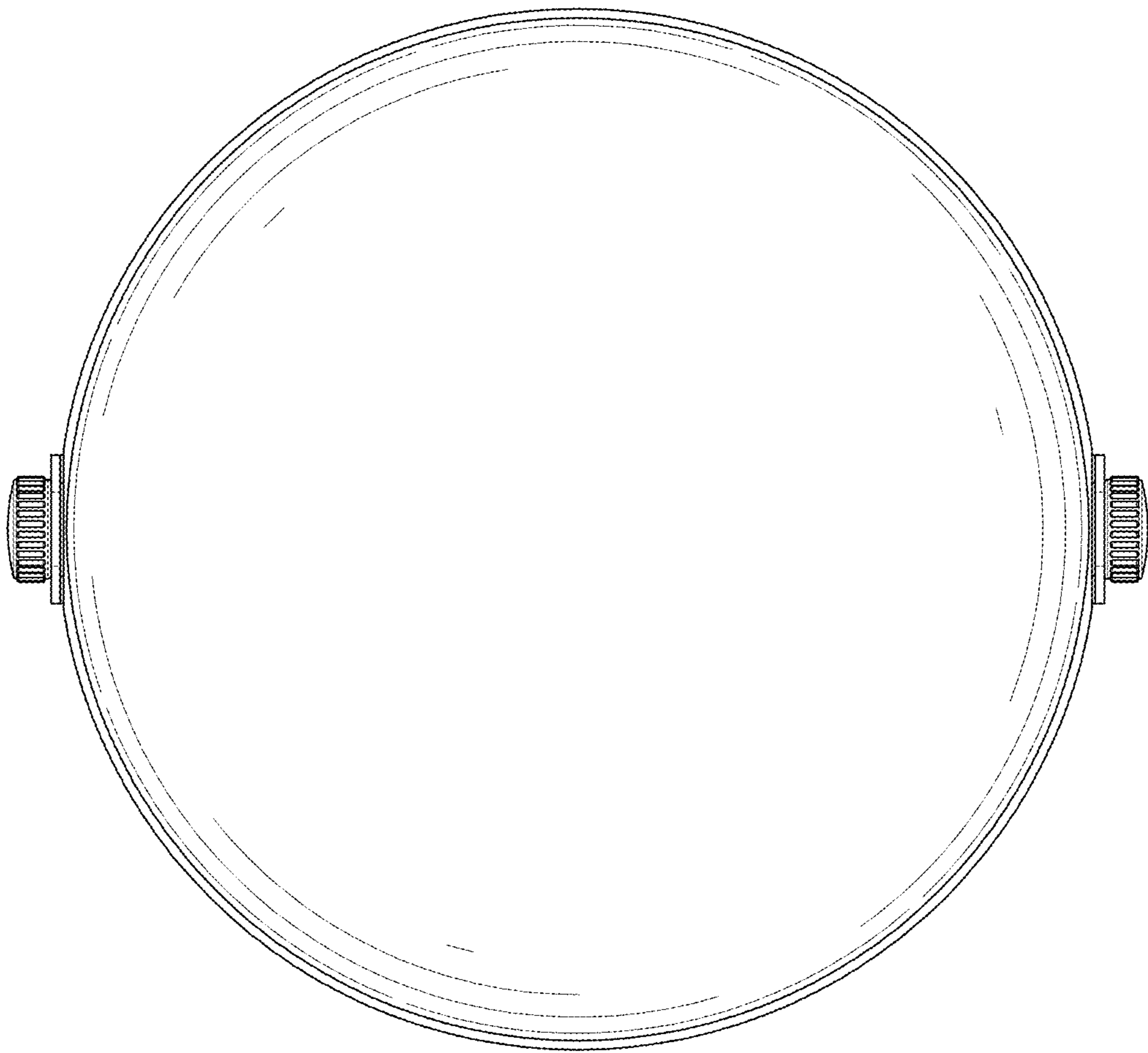


FIG. 8

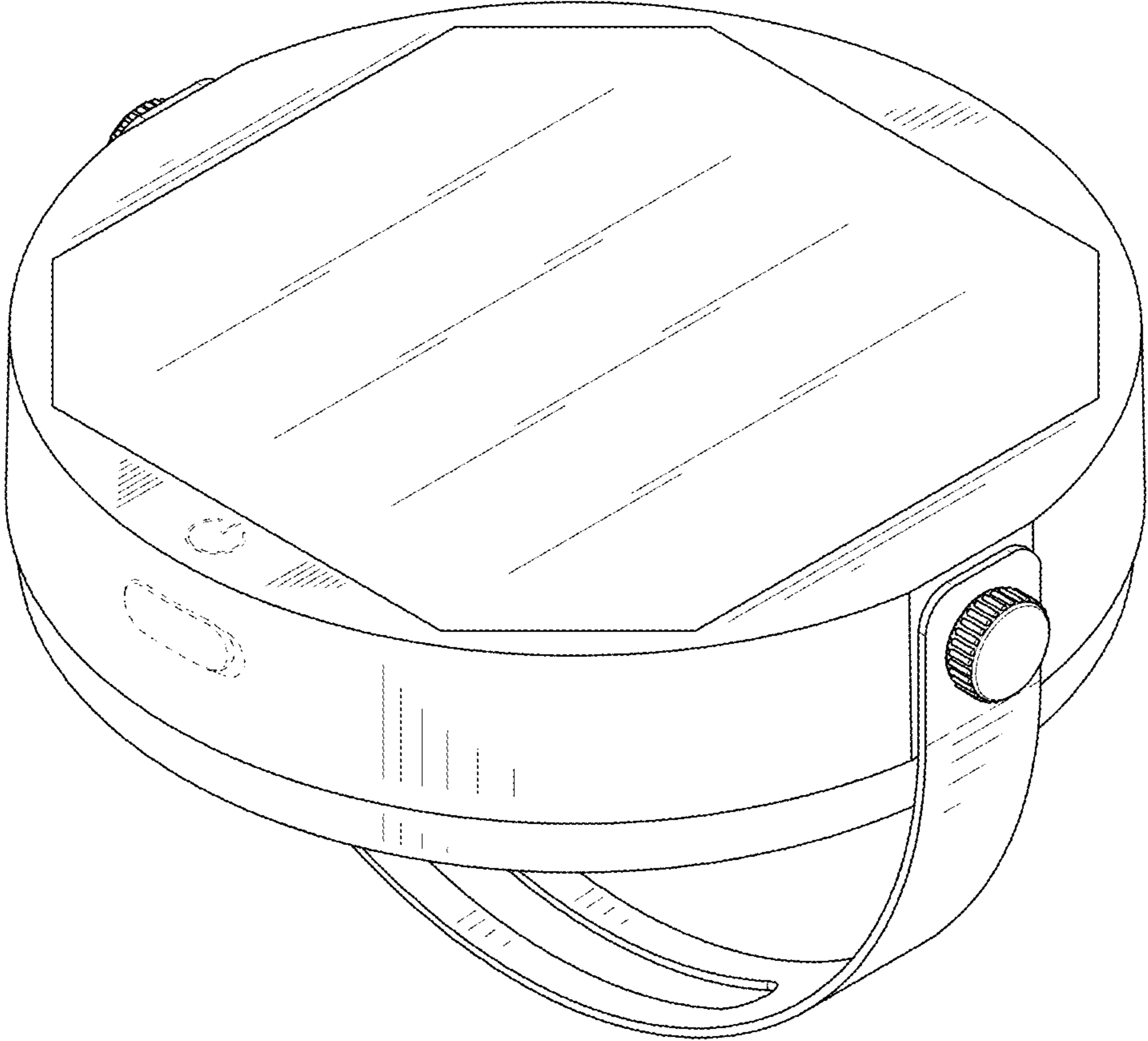


FIG. 9

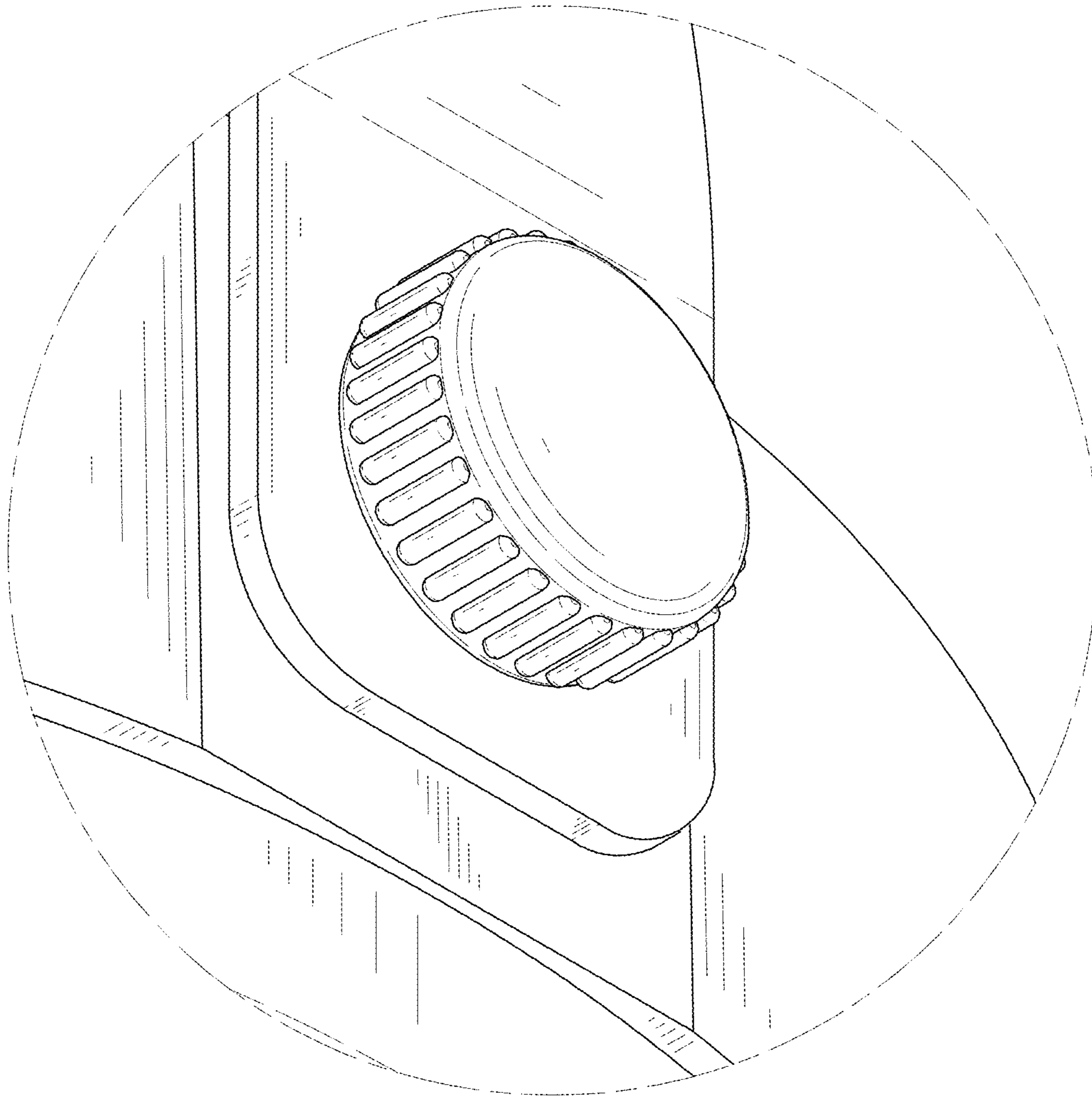


FIG. 10