



US00D971471S

(12) **United States Design Patent** (10) **Patent No.:** **US D971,471 S**  
**Landt et al.** (45) **Date of Patent:** **\*\* \*Nov. 29, 2022**

(54) **FLASHLIGHT**

(71) Applicant: **Robert Bosch GmbH**, Stuttgart (DE)

(72) Inventors: **Michael Landt**, Glenview, IL (US);  
**Gregory Herman**, Elk Grove Village, IL (US)

(73) Assignees: **Robert Bosch Tool Corporation**, Broadview, IL (US); **Robert Bosch GmbH**, Stuttgart (DE)

(\*) Notice: This patent is subject to a terminal disclaimer.

(\*\*) Term: **15 Years**

(21) Appl. No.: **29/743,740**

(22) Filed: **Jul. 23, 2020**

(51) **LOC (13) Cl.** ..... **26-02**

(52) **U.S. Cl.**  
USPC ..... **D26/49**

(58) **Field of Classification Search**  
USPC ..... D26/24, 37-51, 113  
CPC ..... F21Y 2115/10; F21Y 2113/13; F21Y 2101/00; F21Y 2103/10; F21Y 2107/40; F21Y 2105/10; F21Y 2105/18; F21Y 2113/00; F21Y 2113/10; F21Y 2113/17; F21Y 2113/20; F21L 4/005; F21L 4/027; F21L 4/085; F21L 4/08; F21L 4/045; F21L 4/00; F21L 4/02; F21L 4/022; F21L 4/04; F21L 4/025; F21L 13/00; F21L 14/02; F21L 2/00; F21V 23/0414; F21V 23/0428; F21V 23/0421; F21V 21/0965; F21V 15/01; F21V 21/0885; F21V 21/406; F21V 23/0407; F21V 23/06; F21V 33/0064; F21V 33/0084; F21V 14/025; F21V 23/04; F21V 14/065; F21V 21/084; F21V 23/003; F21V 5/006; F21V 5/04; F21V 21/08; F21V 23/0435; F21V 23/0464; F21V 31/00; F21V 31/005; F21V 33/0076; F21V 33/008; F21V 7/0075; F21V 14/045; F21V 15/012;

F21V 17/12; F21V 19/02; F21V 21/0816; F21V 21/0925; F21V 21/30; F21V 23/0471; F21V 3/00; F21V 13/045; F21V 17/10; F21V 21/096; F21V 21/145; F21V 23/023; F21V

(Continued)

(56) **References Cited**

U.S. PATENT DOCUMENTS

D521,166 S \* 5/2006 Yamamoto ..... D26/37  
D529,643 S \* 10/2006 Kung ..... D26/37

(Continued)

OTHER PUBLICATIONS

Introducing the Dremel Flashlight. By Dremel. Dated Nov. 9, 2020. Found online [Nov. 8, 2021]. <https://www.youtube.com/watch?v=SYCXNynscF4> (Year: 2020).\*

(Continued)

*Primary Examiner* — Marissa J Cash  
*Assistant Examiner* — William B Melliar  
(74) *Attorney, Agent, or Firm* — Kelly McGlashen; Maginot, Moore & Beck LLP

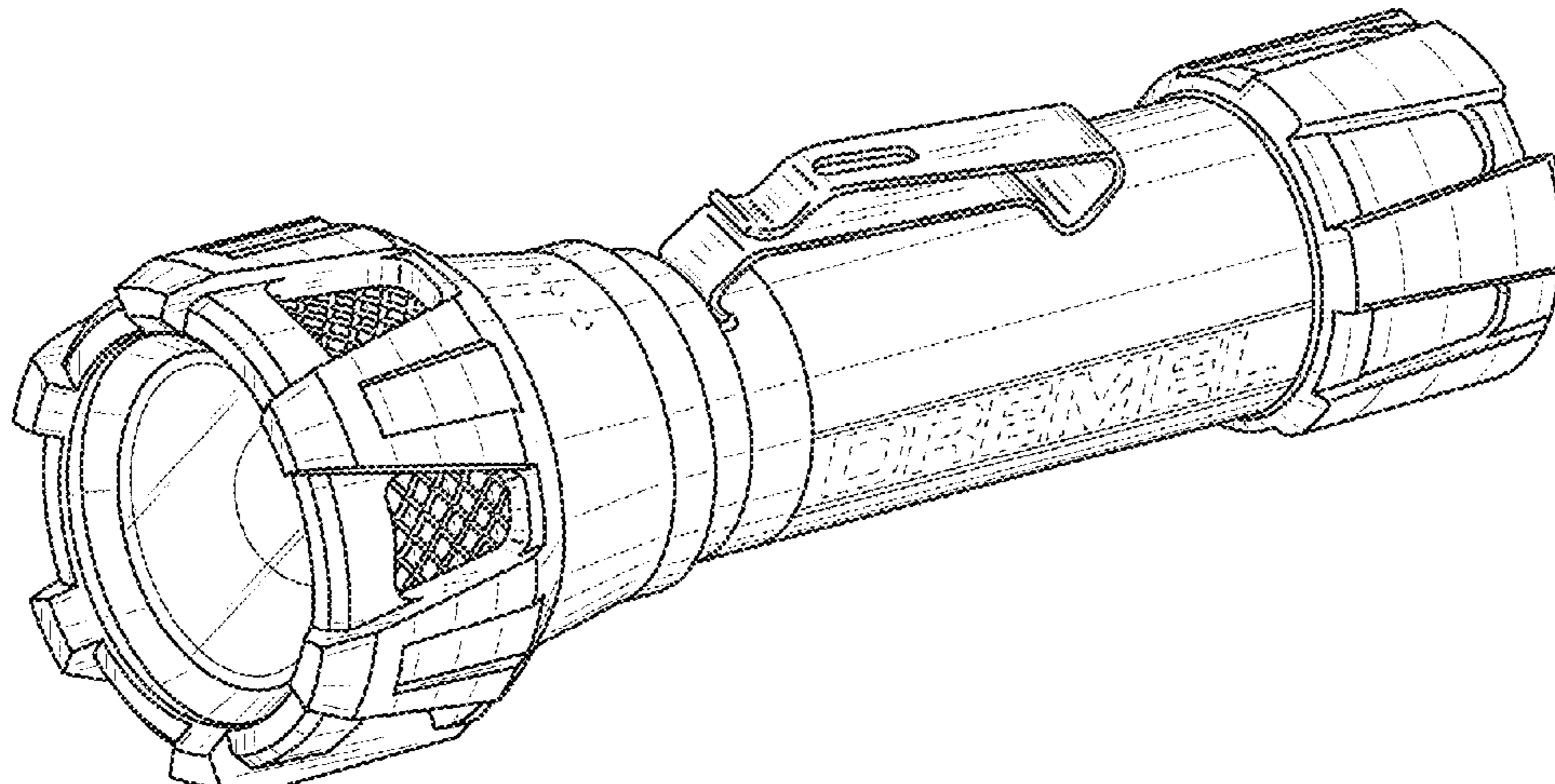
(57) **CLAIM**

We claim the ornamental design for a flashlight, as shown and described.

**DESCRIPTION**

FIG. 1 is a perspective view of a flashlight, showing our new design;  
FIG. 2 is a left side view thereof;  
FIG. 3 is a top view thereof;  
FIG. 4 is a right side view thereof;  
FIG. 5 is a bottom view thereof;  
FIG. 6 is a rear end view thereof; and,  
FIG. 7 is a front end view thereof.

(Continued)



The broken lines are included for the purpose of illustrating portions of the flashlight that form no part of the claim.

(56)

**References Cited**

**1 Claim, 4 Drawing Sheets**

(58) **Field of Classification Search**

CPC .. 23/0442; F21V 29/70; F21V 33/0068; F21V 9/083; F21V 9/20; F21V 11/08; F21V 13/14; F21V 14/04; F21V 14/06; F21V 14/085; F21V 15/00; F21V 17/002; F21V 17/02; F21V 17/06; F21V 17/105; F21V 17/107; F21V 19/001; F21V 19/047; F21V 21/00; F21V 21/002; F21V 21/06; F21V 21/14; F21V 21/22; F21V 21/26; F21V 21/32; F21V 23/001; F21V 23/002; F21V 23/005; F21V 23/02; F21V 23/045; F21V 23/0492; F21V 25/04; F21V 29/15; F21V 29/503; F21V 29/508; F21V 29/713; F21V 29/763; F21V 29/767; F21V 29/89; F21V 29/90; F21V 33/00; F21V 33/004; F21V 33/0036; F21V 33/0052; F21V 3/02; F21V 5/00; F21V 5/008; F21V 5/046; F21V 5/048; F21V 5/08; F21V 7/00; F21V 7/0008; F21V 7/0083; F21V 7/0091; F21V 7/04; F21V 7/041; F21V 7/06; F21V 7/22; F21V 7/24; F41G 1/35; F41G 11/003; F41G 1/34; F41G 1/345; F41G 11/001; F41G 1/36; F41G 3/2655; B25F 1/04

See application file for complete search history.

U.S. PATENT DOCUMENTS

D551,366	S	*	9/2007	Galli	.....	D26/37
D557,836	S	*	12/2007	Shiu	.....	D26/37
D566,309	S	*	4/2008	Kornfeld	.....	D26/37
D608,034	S	*	1/2010	Hesse	.....	D26/37
D629,546	S	*	12/2010	Deguglimo	.....	D26/49
D716,984	S	*	11/2014	Inskeep	.....	D26/49
D783,193	S	*	4/2017	Kao	.....	D26/49
D814,087	S	*	3/2018	Cao	.....	D26/49
D814,088	S	*	3/2018	Cao	.....	D26/49
D816,251	S	*	4/2018	Johnson	.....	D26/49
D846,782	S	*	4/2019	Huang	.....	D26/49
D877,379	S	*	3/2020	Qiu	.....	D26/49
D897,578	S	*	9/2020	Le	.....	D26/37
D897,579	S	*	9/2020	Le	.....	D26/37
D900,367	S	*	10/2020	Petrucci	.....	D26/49
D900,368	S	*	10/2020	Petrucci	.....	D26/49

OTHER PUBLICATIONS

Olight Warrior X Pro 2100 Lumens Tactical Flashlight. By Olight. Dated May 7, 2020. Found online [Nov. 8, 2021]. <https://www.amazon.com/dp/B083NPLG93> (Year: 2020).\*

Husky 500 Lumens LED Flashlight. By Husky. Dated Jul. 28, 2021. Found online [Nov. 8, 2021]. <https://www.homedepot.com/p/Husky-500-Lumens-Tough-Stainless-Steel-Core-Multi-Setting-LED-Flashlight-Impact-and-Water-Resistant-with-Batteries-HSK1PAK500PSF1/313015202> (Year: 2021).\*

\* cited by examiner

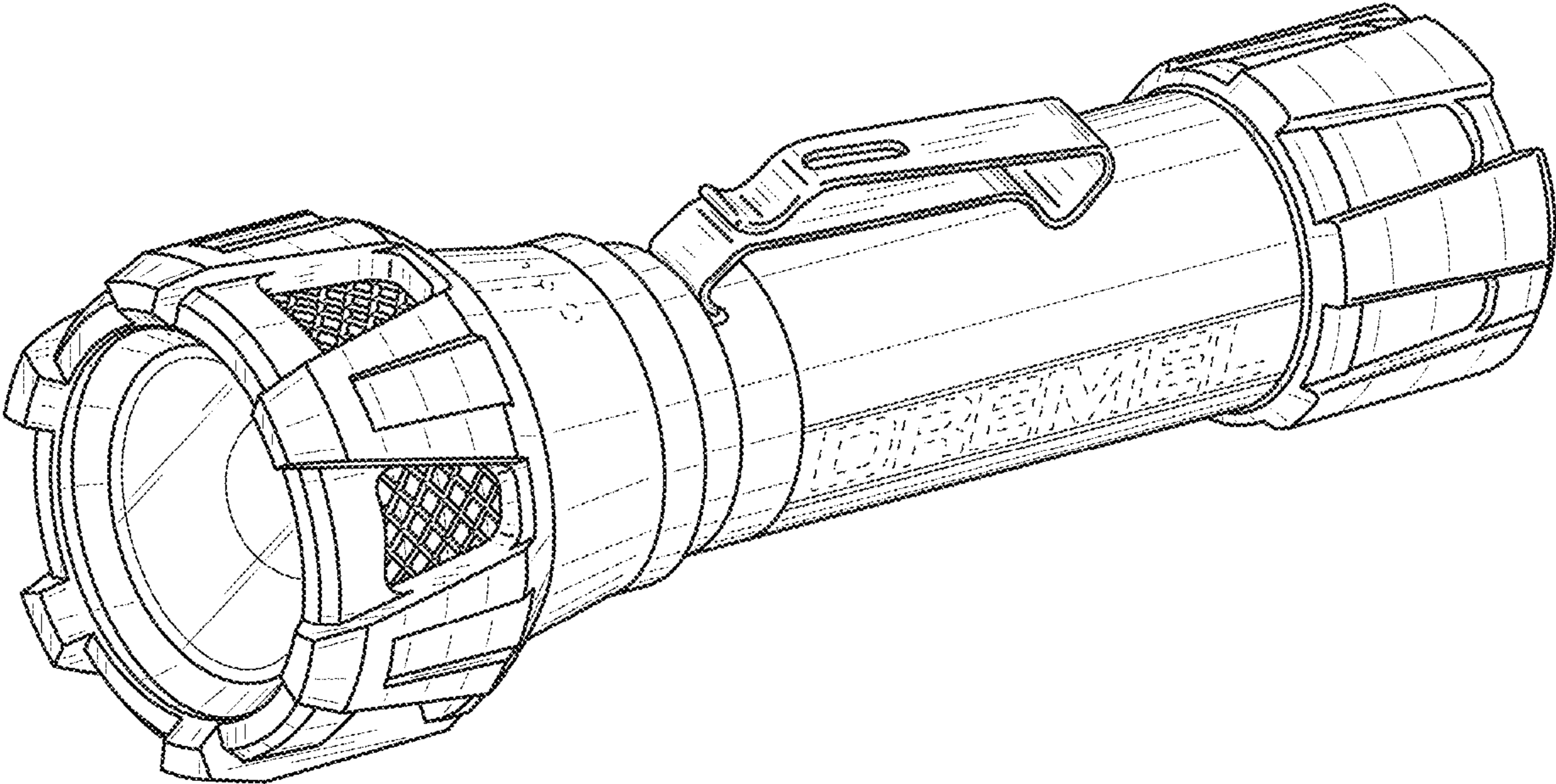


FIG. 1

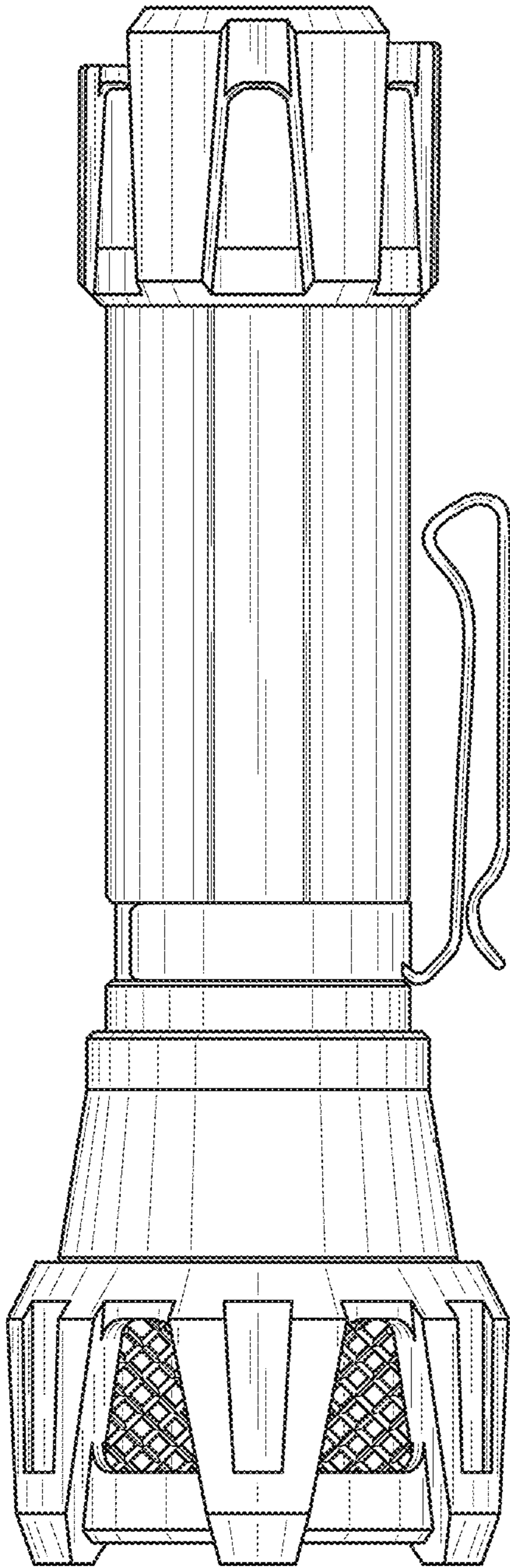


FIG. 2

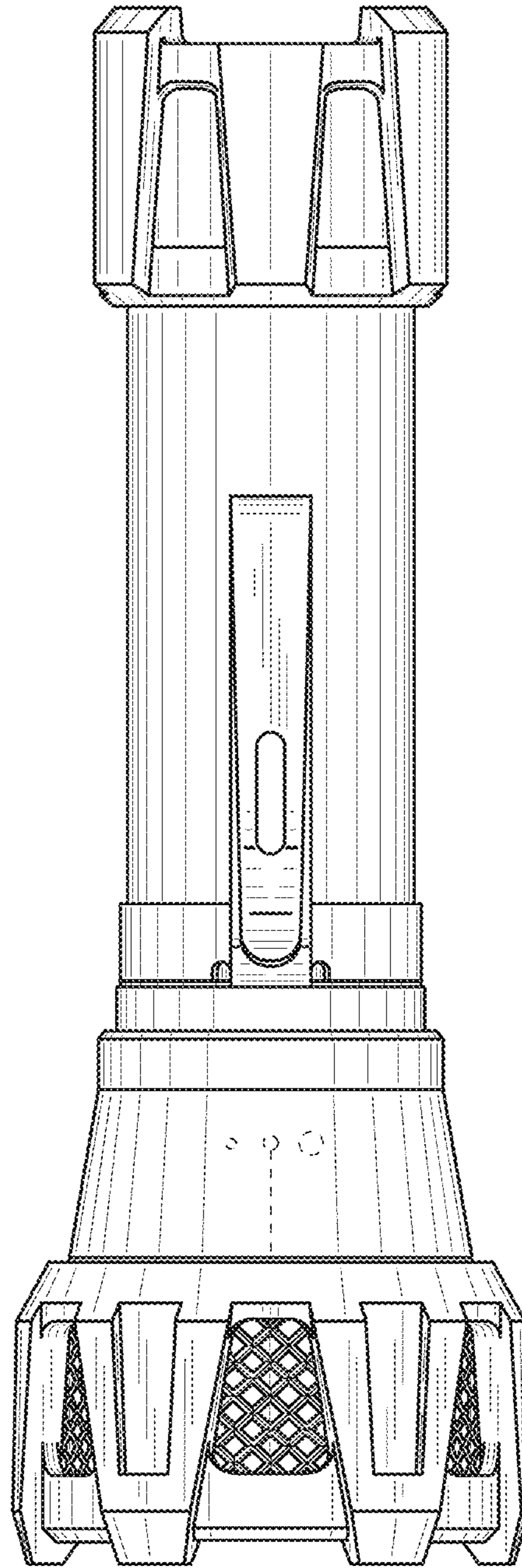


FIG. 3

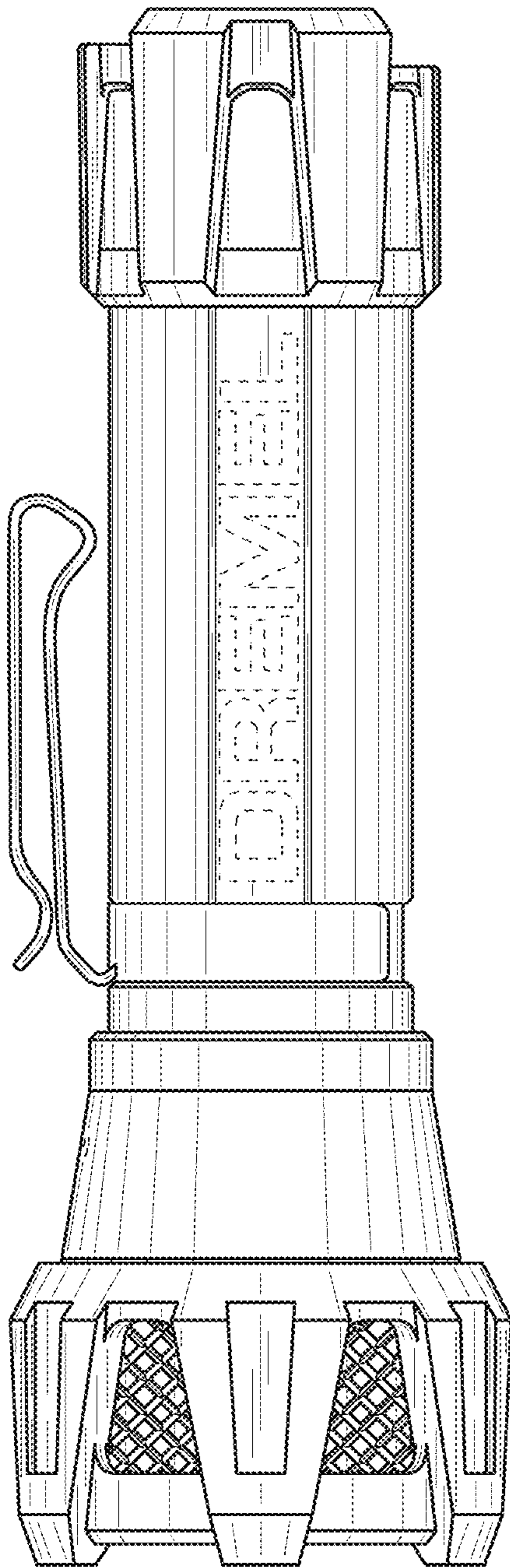


FIG. 4

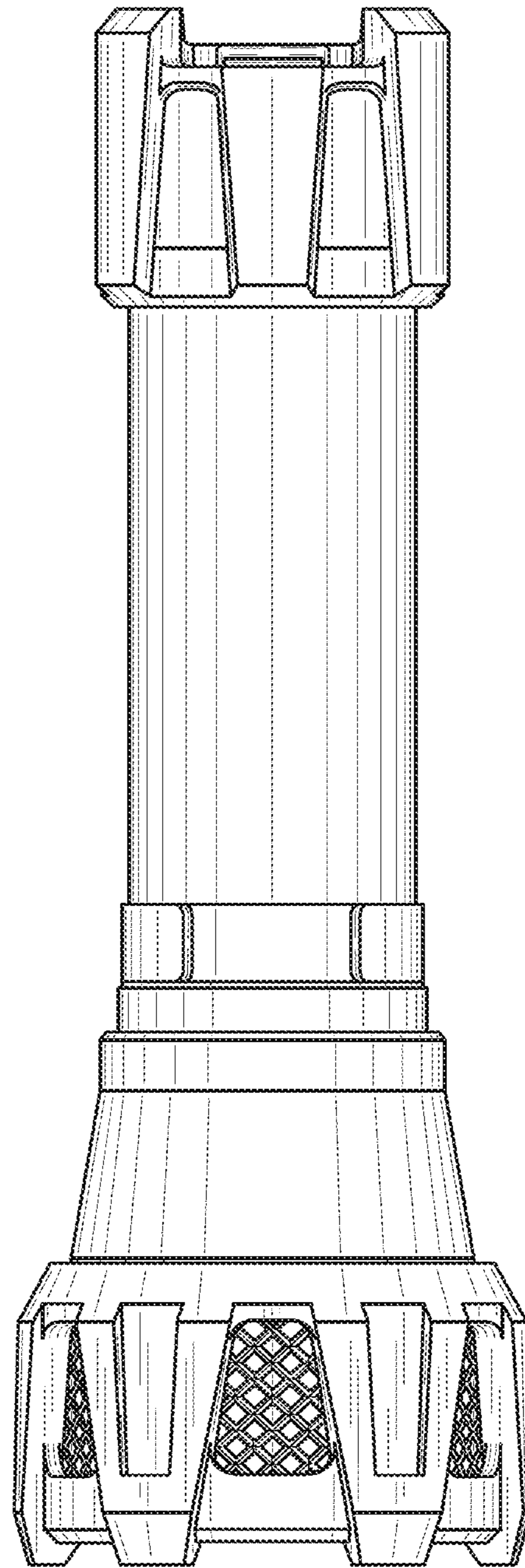


FIG. 5

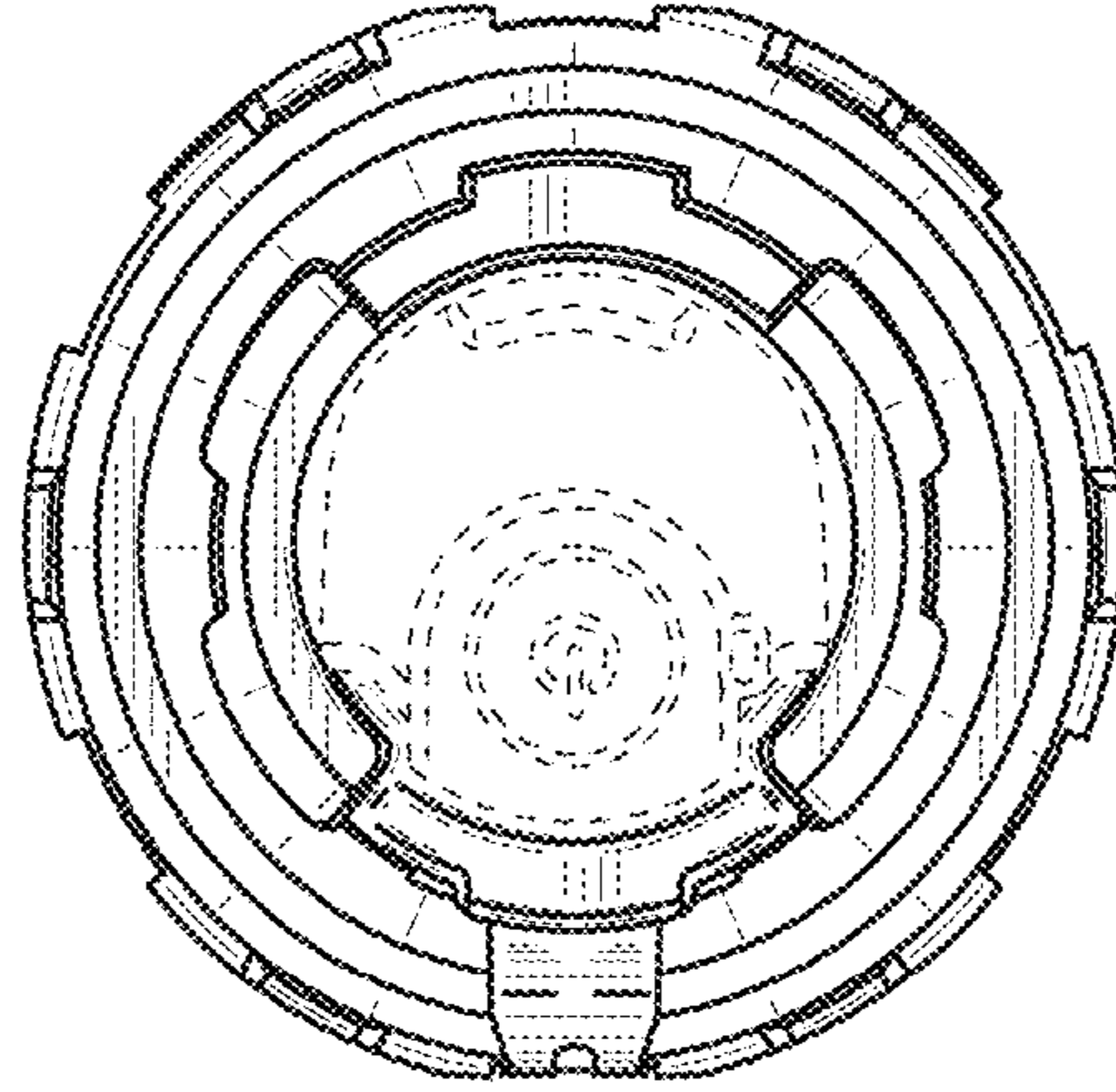


FIG. 6

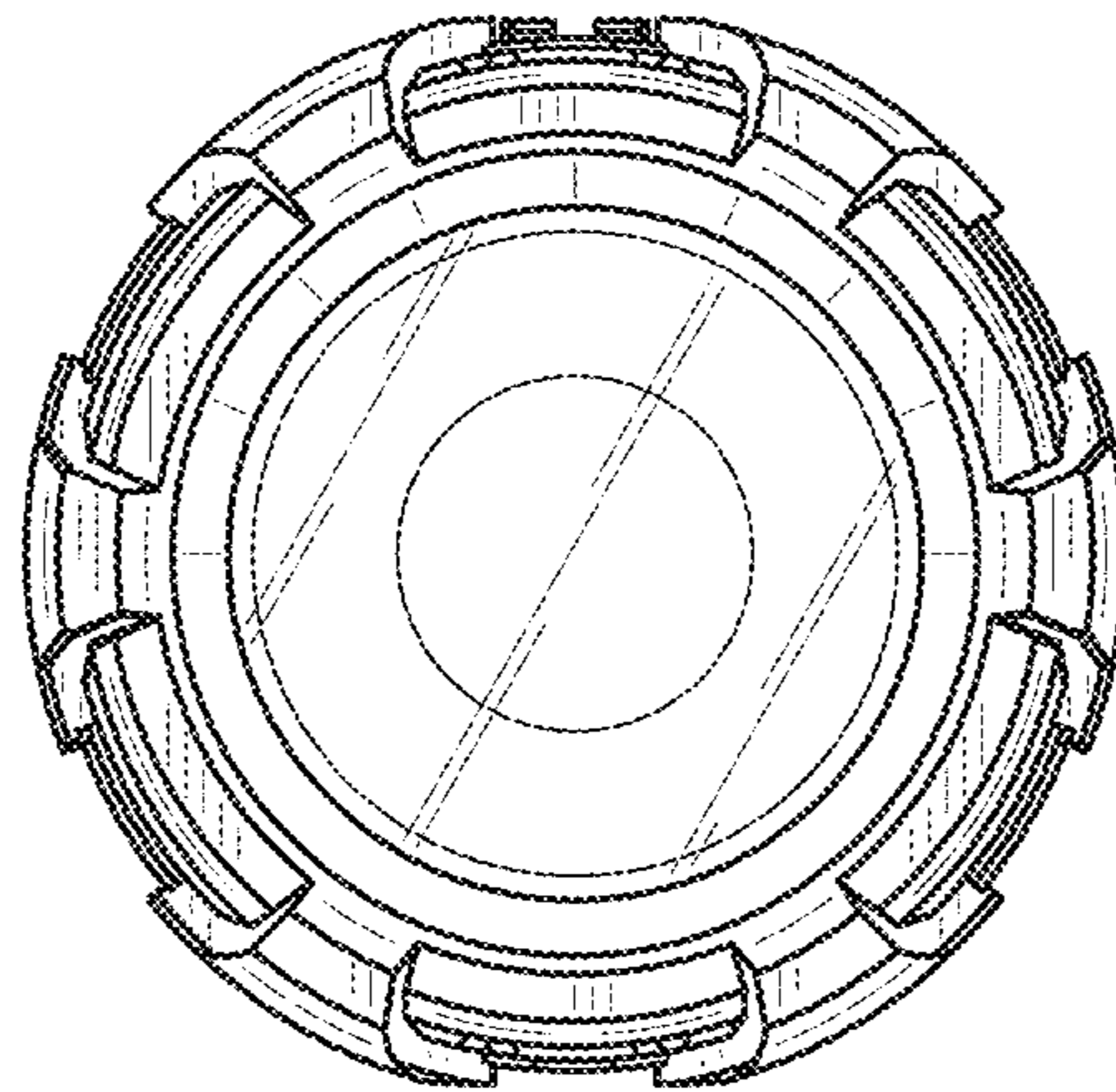


FIG. 7