



US00D971470S

(12) **United States Design Patent** (10) **Patent No.:** **US D971,470 S**
Zeng (45) **Date of Patent:** **** Nov. 29, 2022**

(54) **SOLAR LAMP**

FOREIGN PATENT DOCUMENTS

(71) Applicant: **ANWINER TECHNOLOGY INTERNATIONAL INC**, Brighton, CO (US)

CN 307372190 * 5/2022
CN 307483069 * 8/2022

(72) Inventor: **Fenglan Zeng**, Brighton, CO (US)

(73) Assignee: **ANWINER TECHNOLOGY INTERNATIONAL INC**, Brighton, CO (US)

OTHER PUBLICATIONS

“AUDEW” reference by Audew.com, date first available [unavailable], site visited Oct. 3, 2022, available from internet URL: <https://www.audew.com/AUDEW-USB-Rechargeable-LED-Camping-Light-Tent-Lantern-Solar-Lantern-Rechargeable-Outdoor-Camping-Lantern-for-Hiking-Camping-Emergencies-Bright-Night-Lamp-p-407658.html> (Year: 2022).*

(**) Term: **15 Years**

“LED Camping Lights” reference by Xuebin on Amazon.com, date first available Mar. 29, 2022 [online], site visited Oct. 3, 2022, available from internet URL: <https://www.amazon.com/Camping-Rechargeable-Lantern-Waterproof-Emergency/dp/B09WQJYRKH> (Year: 2022).*

(21) Appl. No.: **29/807,928**

(22) Filed: **Sep. 15, 2021**

(Continued)

(51) **LOC (13) Cl.** **26-02**

Primary Examiner — Marissa J Cash
Assistant Examiner — Liv C Anderson

(52) **U.S. Cl.**
USPC **D26/41**

(57) **CLAIM**

(58) **Field of Classification Search**
USPC D26/2, 9, 22, 24, 25, 37, 60, 62, 72, 93,
D26/106, 110, 113, 138, 41
CPC F21L 4/00; F21K 9/00; F21S 4/00; F21S
6/00; F21S 8/00; F21S 8/003; F21S 8/03;
F21S 8/038; F21V 33/004; F21V 35/00;
F21Y 2107/70

The ornamental design for a solar lamp, as shown and described.

See application file for complete search history.

DESCRIPTION

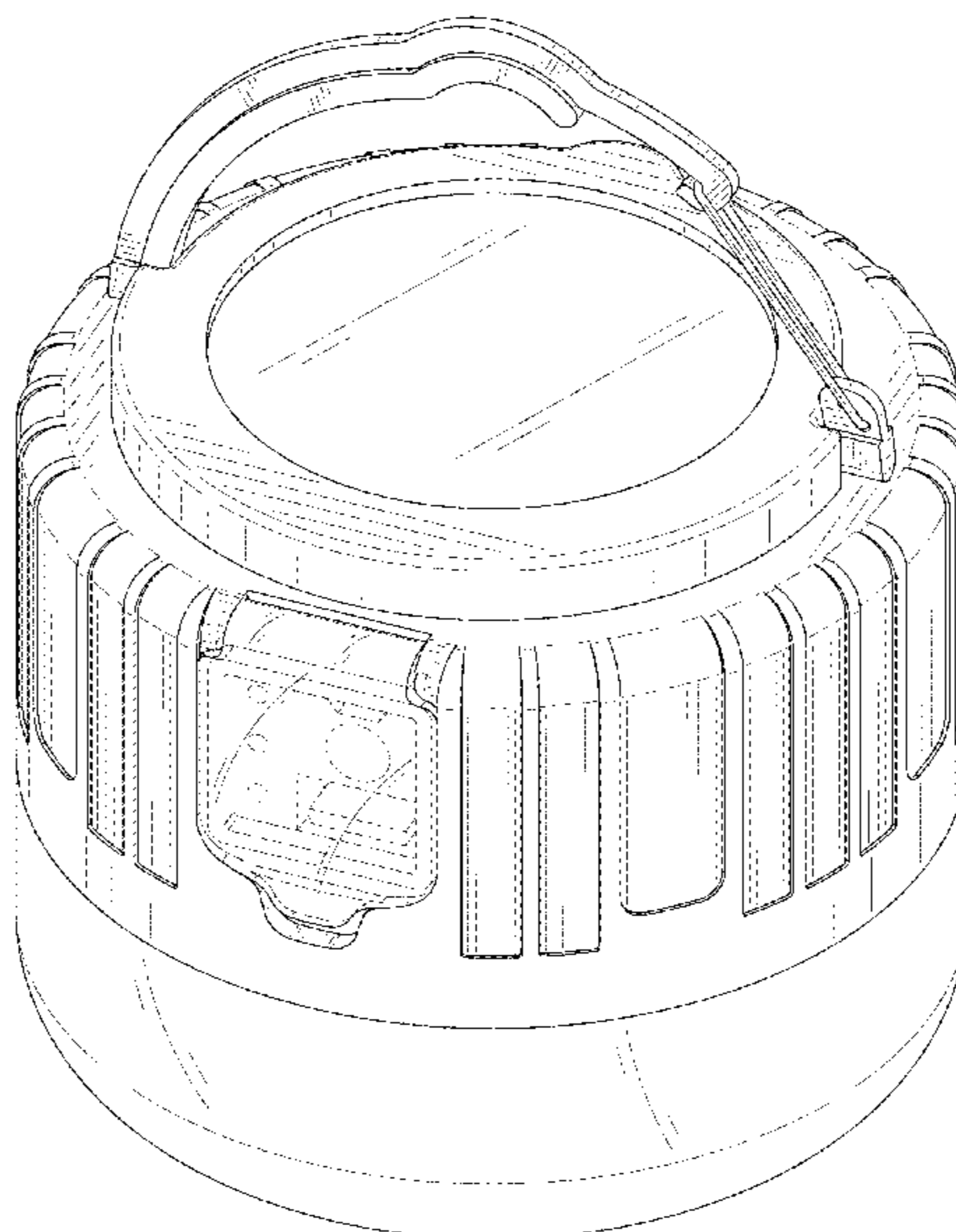
(56) **References Cited**

U.S. PATENT DOCUMENTS

D344,348 S * 2/1994 Lo D26/41
D397,817 S * 9/1998 Yuen D26/41
D443,707 S * 6/2001 Poon D26/41
D870,947 S 12/2019 Zhang et al.
D890,402 S 7/2020 Liu
D894,454 S * 8/2020 Yang D26/41
2013/0271997 A1 * 10/2013 Kim F21V 23/006
362/373

FIG. 1 is a perspective view of a solar lamp showing my new design;
FIG. 2 is another perspective view thereof;
FIG. 3 is a front elevational view thereof;
FIG. 4 is a rear elevational view thereof;
FIG. 5 is a left side elevational view thereof;
FIG. 6 is a right side elevational view thereof;
FIG. 7 is a top plan view thereof;
FIG. 8 is a bottom plan view thereof; and,
FIG. 9 is a perspective view of the solar lamp where the solar lamp is in a configuration of use.
The broken lines in the drawings depict portions of the solar lamp that form no part of the claimed design.

1 Claim, 9 Drawing Sheets



(56)

References Cited

OTHER PUBLICATIONS

“Solar Camping Lantern” reference by Isunmea on Amazon.com, date first available Apr. 26, 2022 [online], site visited Oct. 3, 2022, available from internet URL: <https://www.amazon.com/Rechargeable-Emergency-ISUNMEA-Waterproof-Hurricane/dp/B09YTTHT4K> (Year: 2022).*

“LED Solar Camping Lantern” reference by Tuolan on Amazon.com, date first available Jun. 19, 2022 [online], site visited Oct. 3, 2022, available from internet URL: <https://www.amazon.com/Rechargeable-Bluetooth-Flashlight-Emergency-Waterproof/dp/B0B4GDN4RB> (Year: 2022).*

“Solar Camping Lights” reference by WO Lighting Store on Amazon.com, date first available Apr. 20, 2021 [online], site visited Oct. 3, 2022, available from internet URL: <https://www.amazon.com/Camping-Rechargeable-Waterproof-Emergency-Hurricane/dp/B092W6W2K8> (Year: 2021).*

* cited by examiner

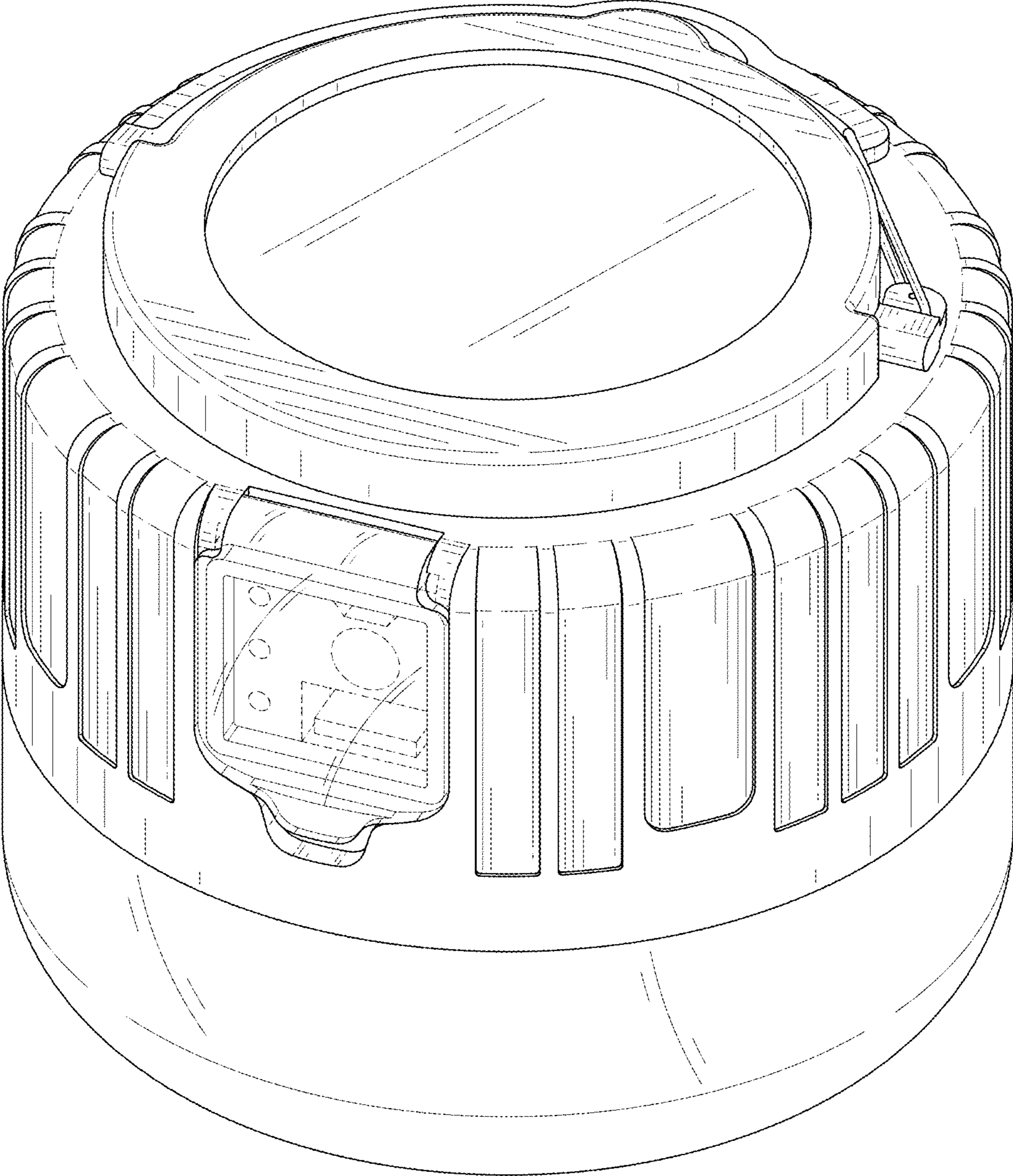


FIG. 1

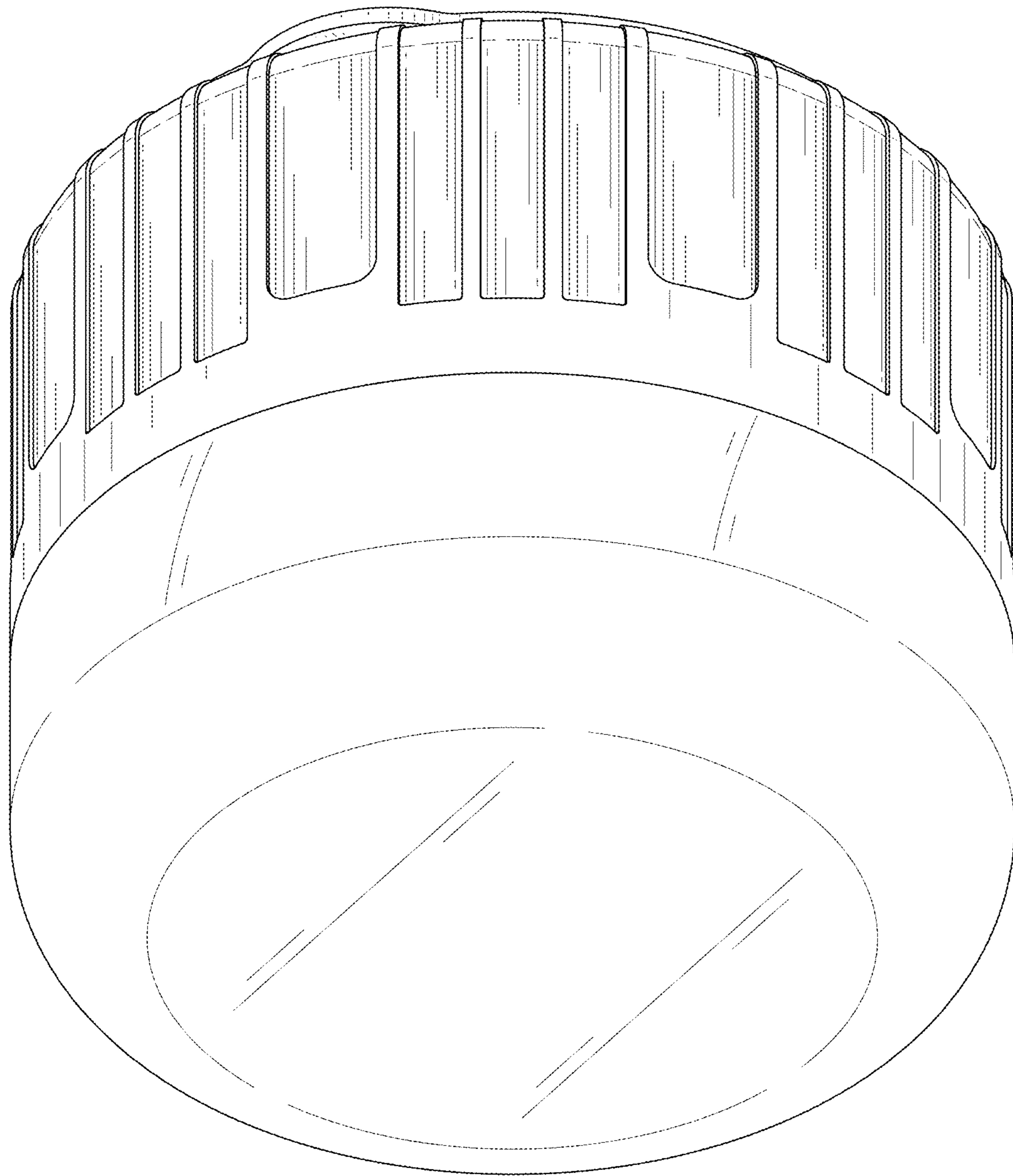


FIG. 2

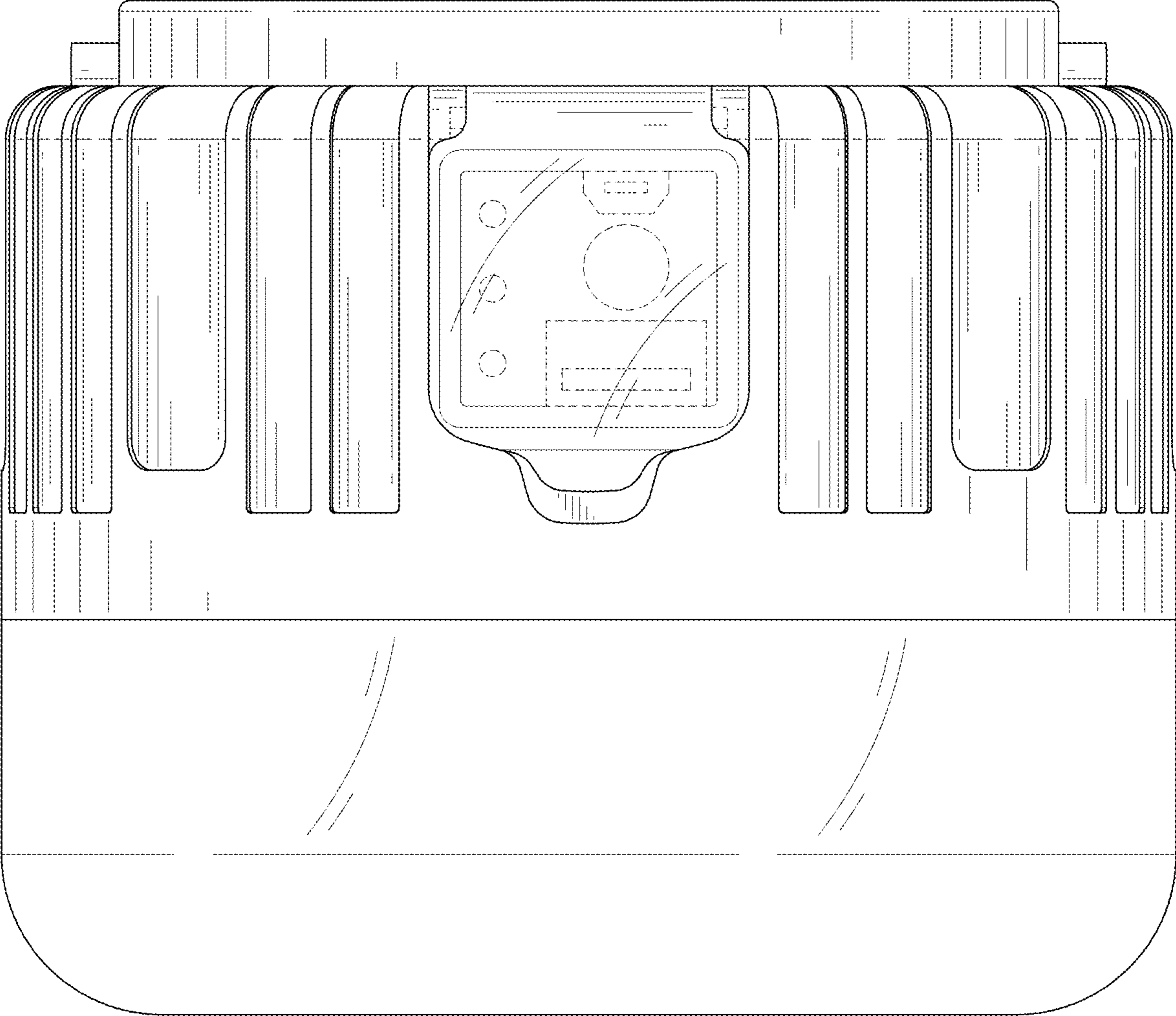


FIG. 3

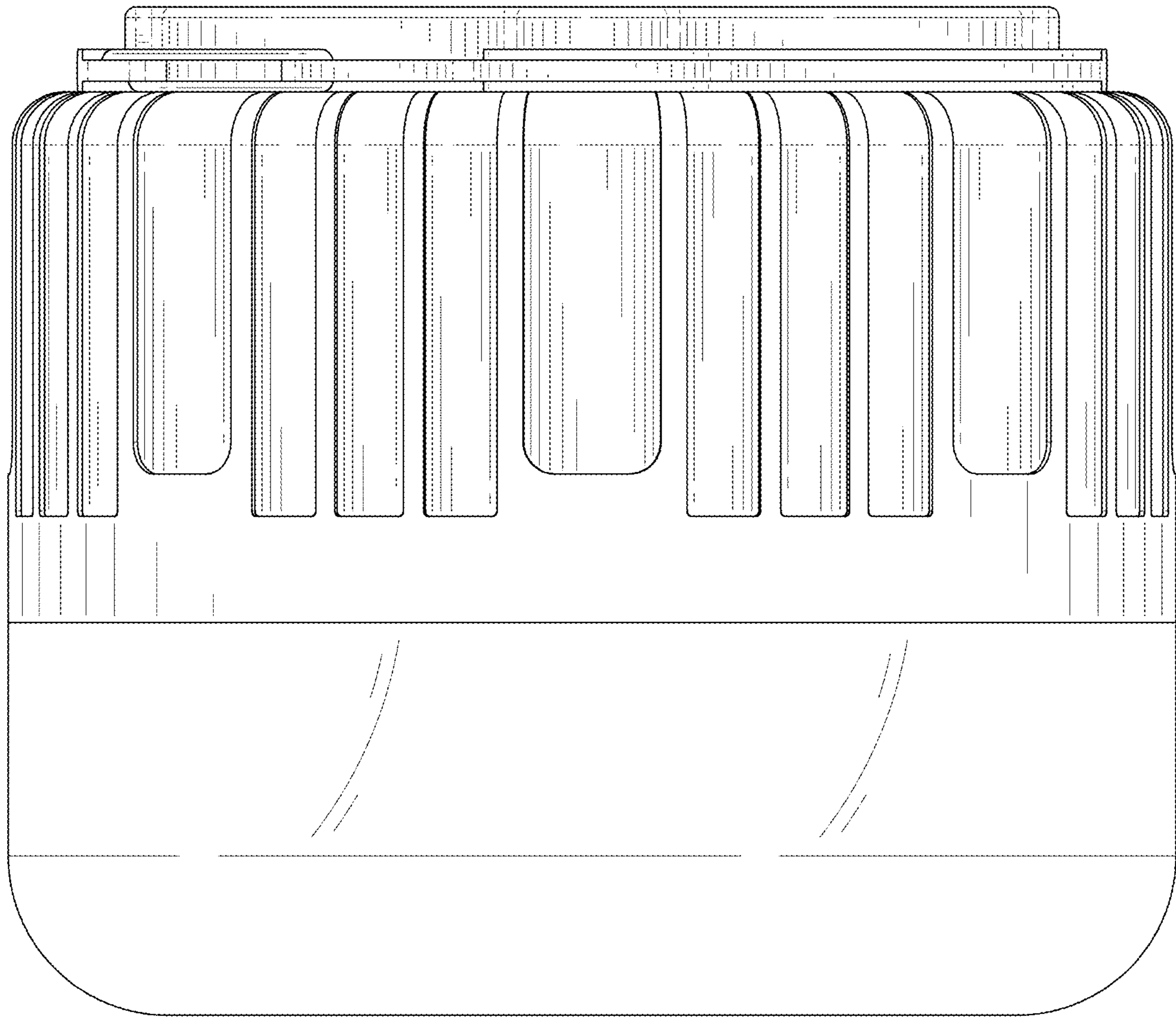


FIG. 4

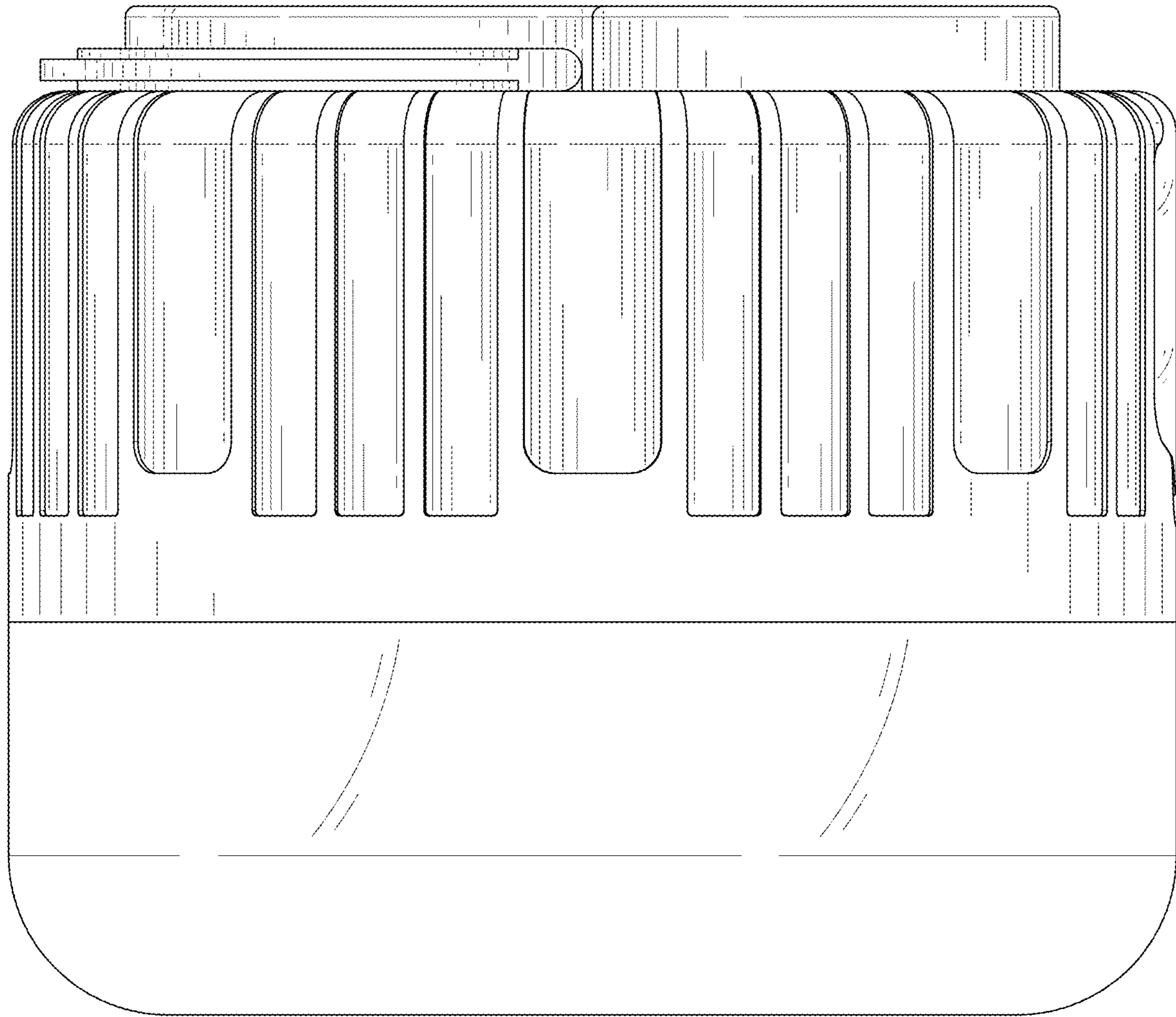


FIG. 5

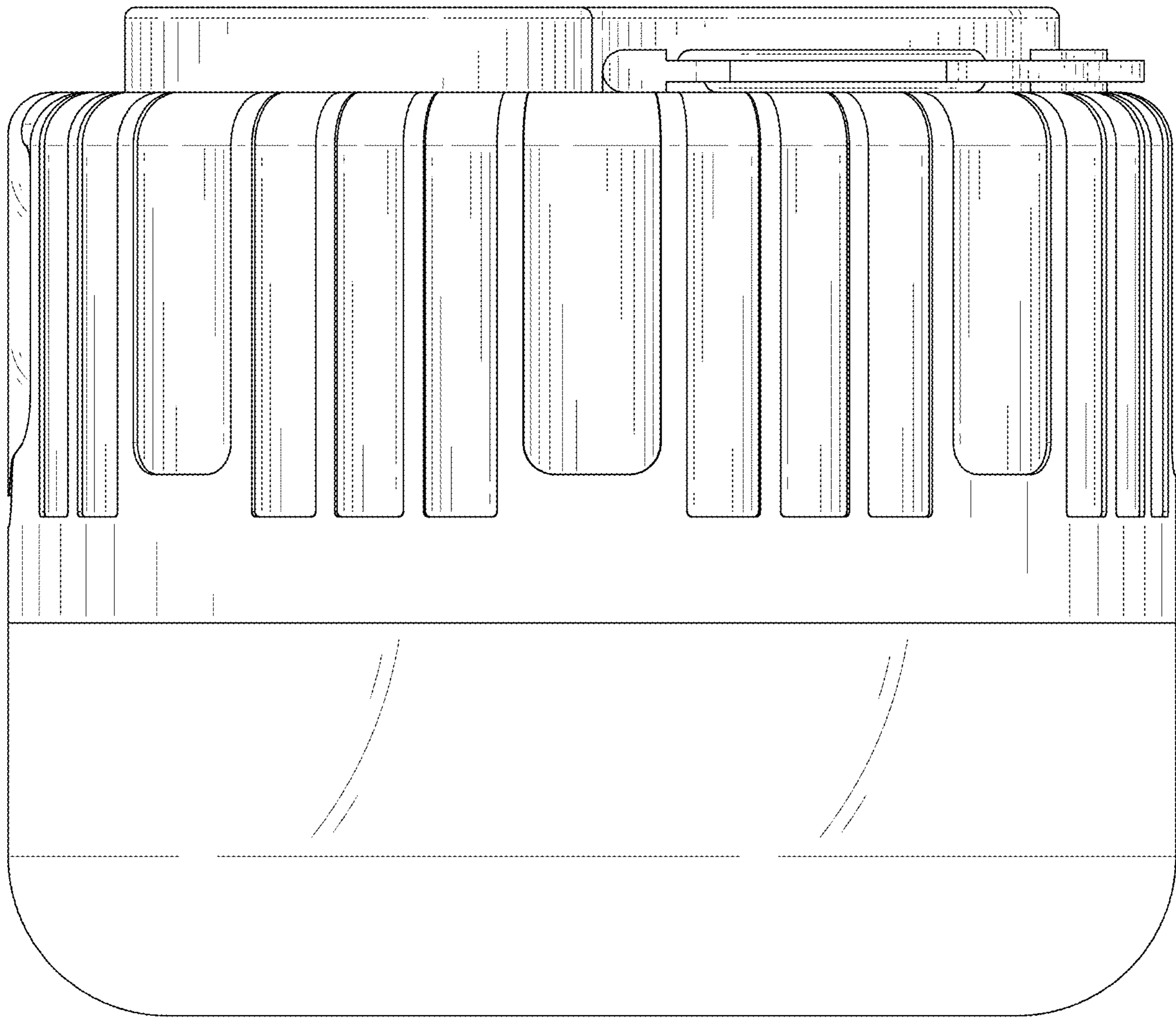


FIG. 6

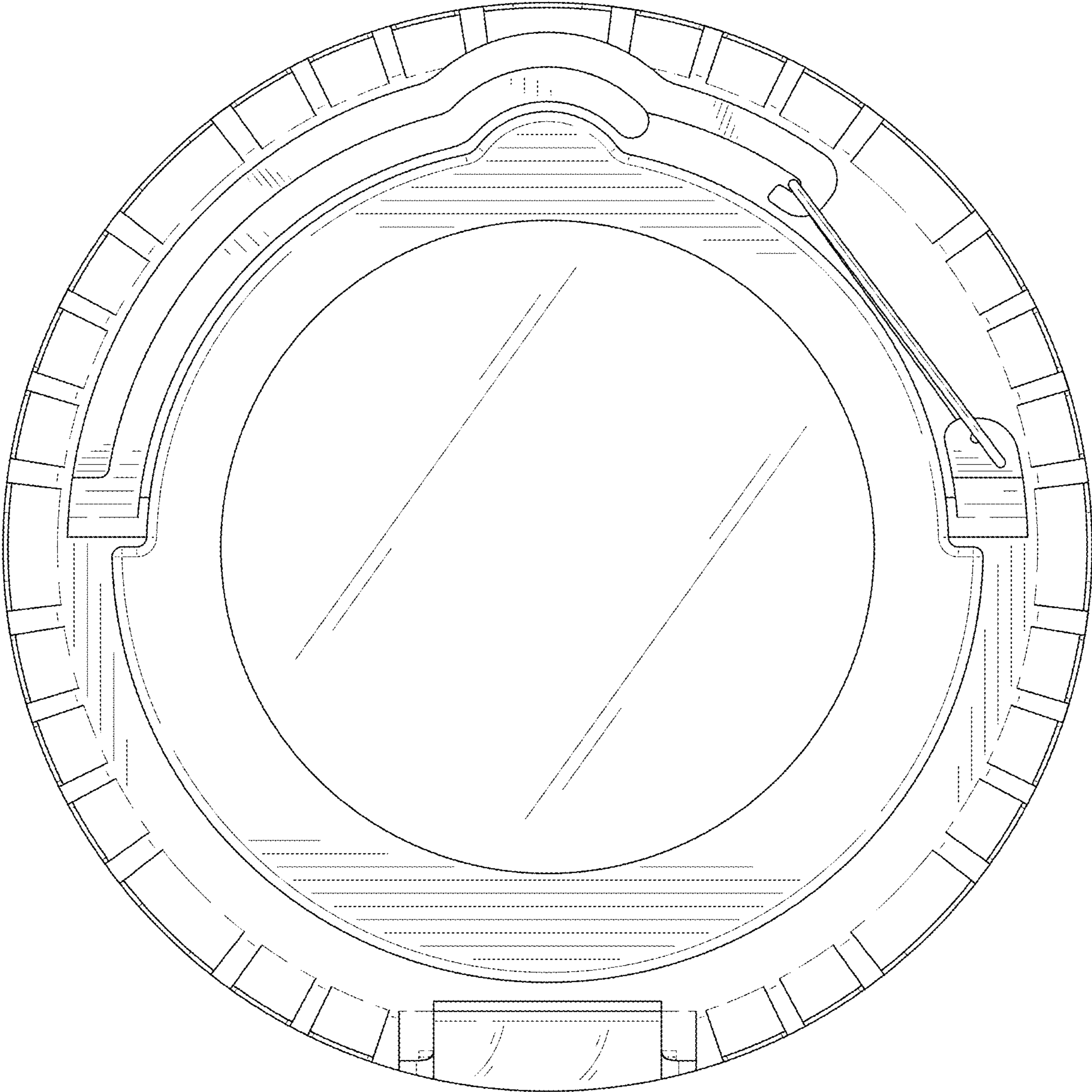


FIG. 7

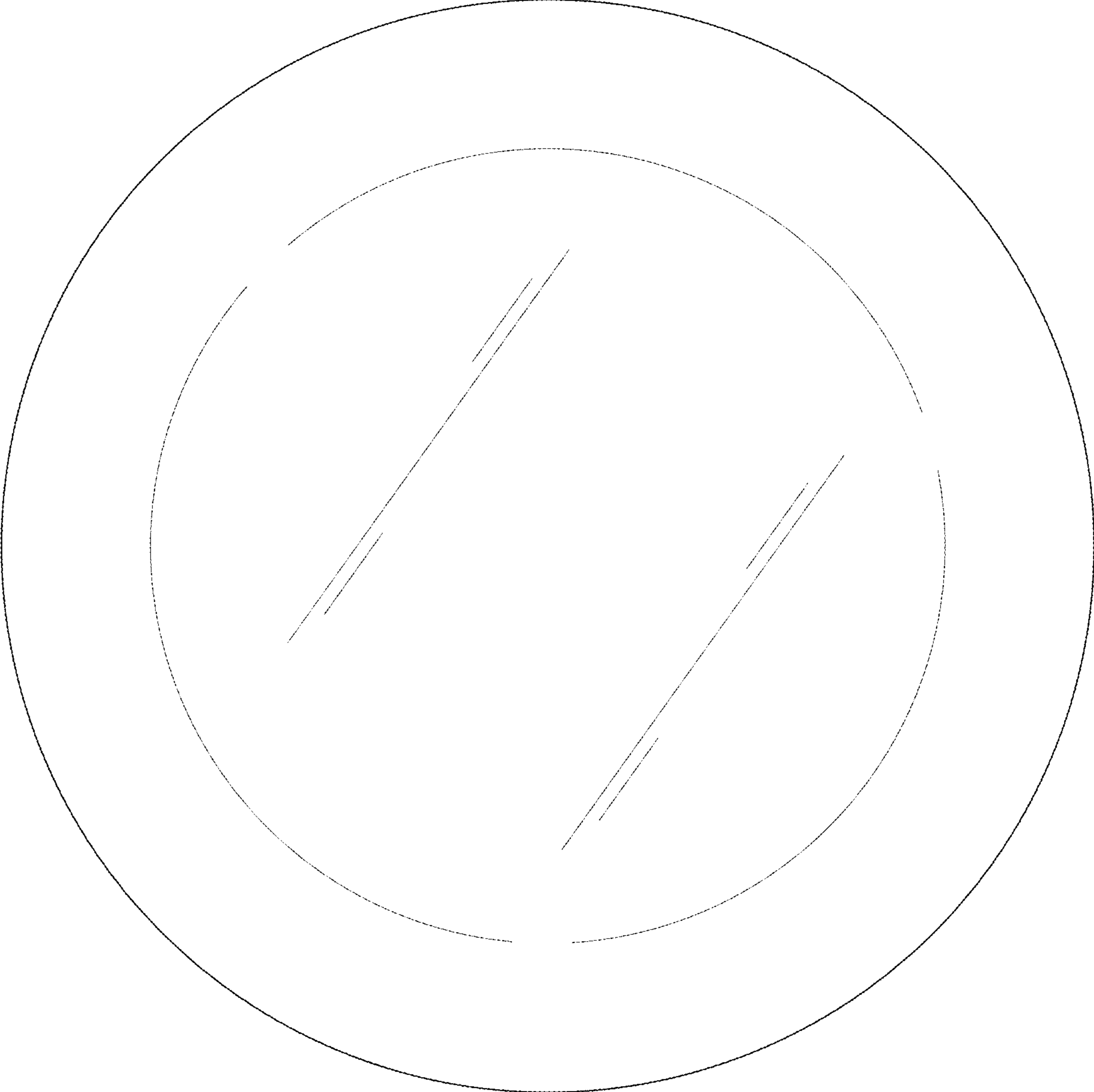


FIG. 8

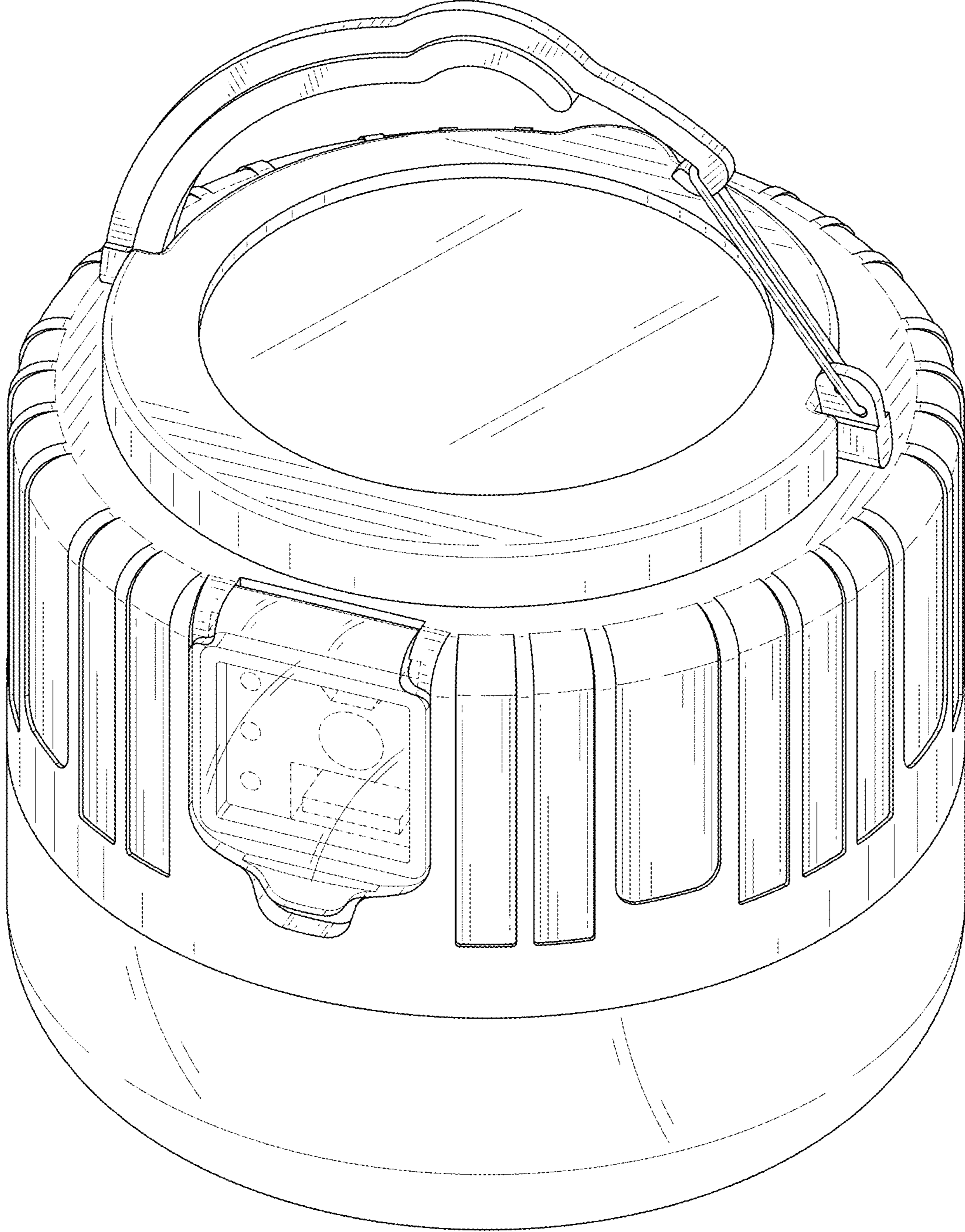


FIG. 9