



US00D971469S

(12) **United States Design Patent** (10) **Patent No.:** **US D971,469 S**
Terao et al. (45) **Date of Patent:** **** Nov. 29, 2022**

(54) **LANTERN**
(71) Applicant: **BALMUDA INC.**, Tokyo (JP)
(72) Inventors: **Gen Terao**, Tokyo (JP); **Kazuma Higa**, Tokyo (JP); **Kyouhei Matsufuji**, Tokyo (JP); **Akihito Ikeuchi**, Tokyo (JP)

D527,128 S 8/2006 Lo et al.
D528,228 S 9/2006 Kakuno et al.
D537,966 S * 3/2007 Lo D26/40
D576,329 S 9/2008 Poon
D649,670 S 11/2011 Robinson
D711,559 S 8/2014 Webb et al.
(Continued)

(73) Assignee: **BALMUDA INC.**, Tokyo (JP)
(**) Term: **15 Years**

FOREIGN PATENT DOCUMENTS

CN 303043702 * 12/2014
CN 306244087 * 12/2020
(Continued)

(21) Appl. No.: **29/725,530**

(22) Filed: **Feb. 25, 2020**

OTHER PUBLICATIONS

Balmuda The Lantern. By Balmuda. Dated Dec. 12, 2019. Found online [Mar. 7, 2022]. <https://www.amazon.com/BALMUDA-L02A-BK-Lantern-LED-Black/dp/B07XF31GNH> (Year: 2019).*

(30) **Foreign Application Priority Data**

Aug. 26, 2019 (JP) 2019-018902

(51) **LOC (13) Cl.** **26-02**

(52) **U.S. Cl.**
USPC **D26/40**

(58) **Field of Classification Search**
USPC D26/24, 37-52, 60, 72, 93, 104-106, D26/113, 118-119, 138
CPC F21Y 2115/10; F21L 19/00; F21L 4/027; F21L 26/00; F21V 23/0414; F21V 15/01; F21V 21/145; F21V 21/406; F21V 1/06; F21V 21/0885

See application file for complete search history.

Primary Examiner — Marissa J Cash
Assistant Examiner — William B Melliar

(57) **CLAIM**

The ornamental design for a lantern, as shown and described.

DESCRIPTION

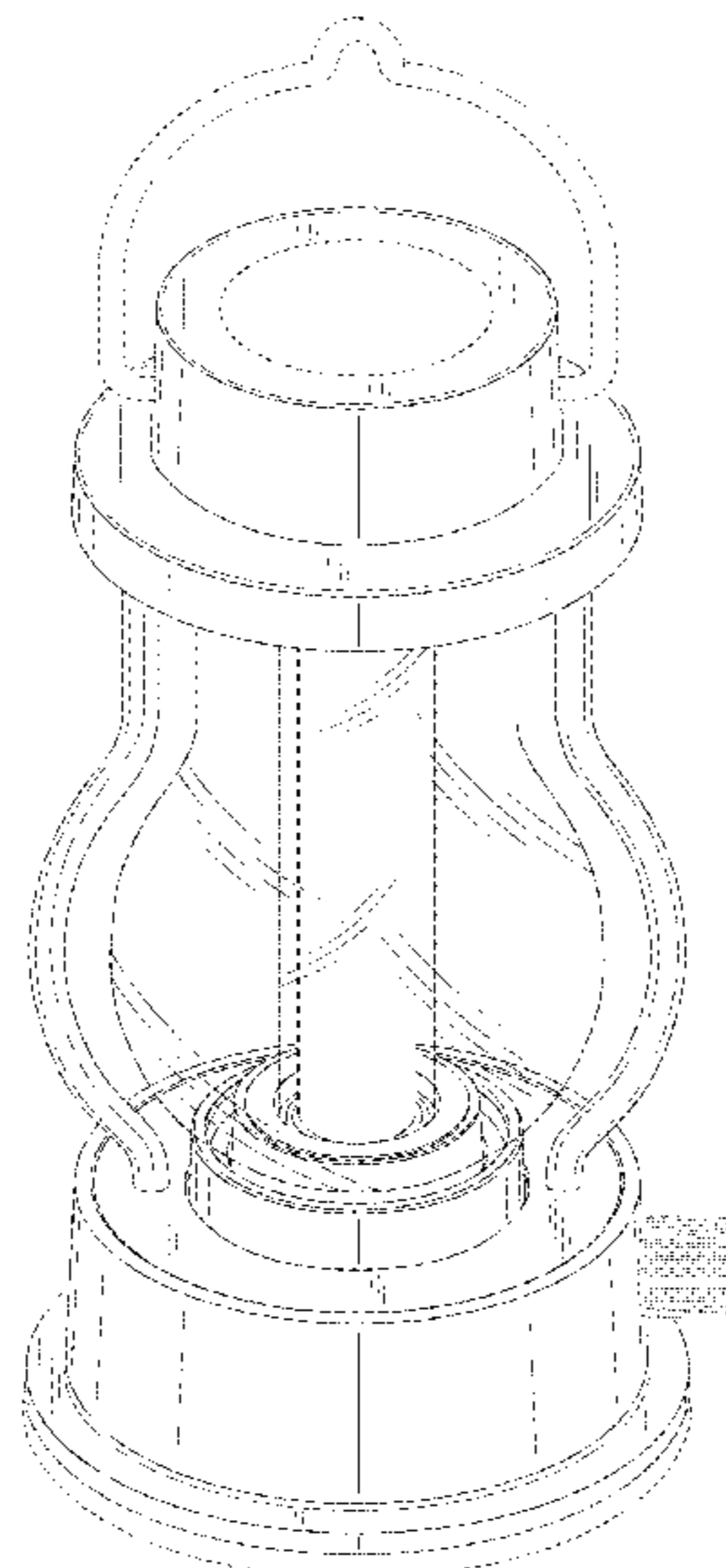
FIG. 1 is a front top perspective view of a lantern showing our new design;
FIG. 2 is a front bottom perspective view thereof;
FIG. 3 is a front elevational view thereof;
FIG. 4 is a rear elevational view thereof;
FIG. 5 is a right side elevational view thereof;
FIG. 6 is a left side elevational view thereof; and,
FIG. 7 is a top plan view thereof.
The even broken lines showing in the drawings depict portions of the lantern that form no part of the claimed design. The dot-dash broken lines depict the boundaries of the claimed design and form no part thereof.

(56) **References Cited**

U.S. PATENT DOCUMENTS

D21,421 S * 3/1892 Wright D26/40
3,817,684 A * 6/1974 Sell F23Q 2/16
222/3
D396,891 S * 8/1998 Lam D26/41
D485,385 S 1/2004 Lo
D486,934 S 2/2004 Leung et al.
D503,006 S 3/2005 May et al.
D521,669 S * 5/2006 Krieger D26/67

1 Claim, 7 Drawing Sheets



(56)

References Cited

U.S. PATENT DOCUMENTS

D861,941 S * 10/2019 Hammer D26/40
D930,873 S * 9/2021 Shin D26/41

FOREIGN PATENT DOCUMENTS

CN 306706425 * 7/2021
CN 306930717 * 11/2021

* cited by examiner

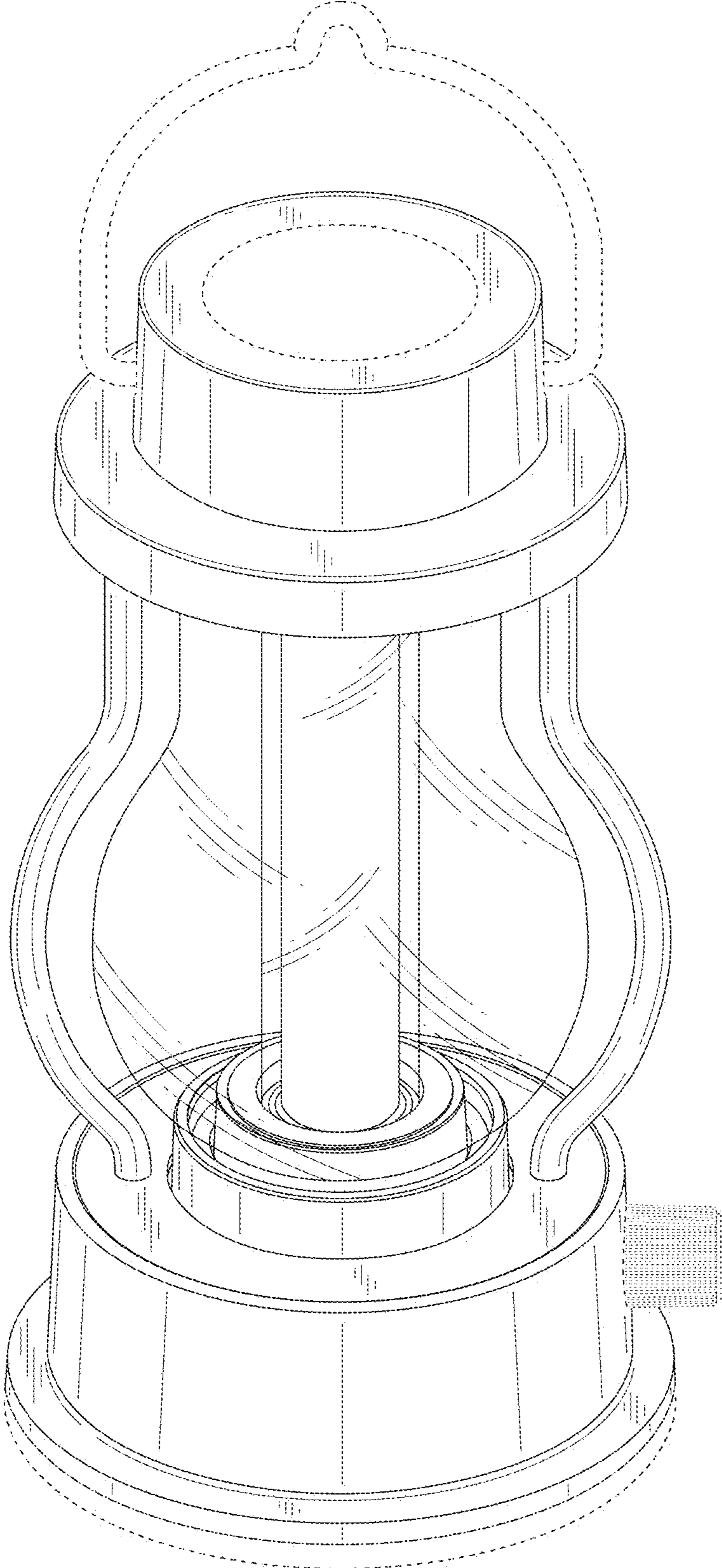


FIG. 1

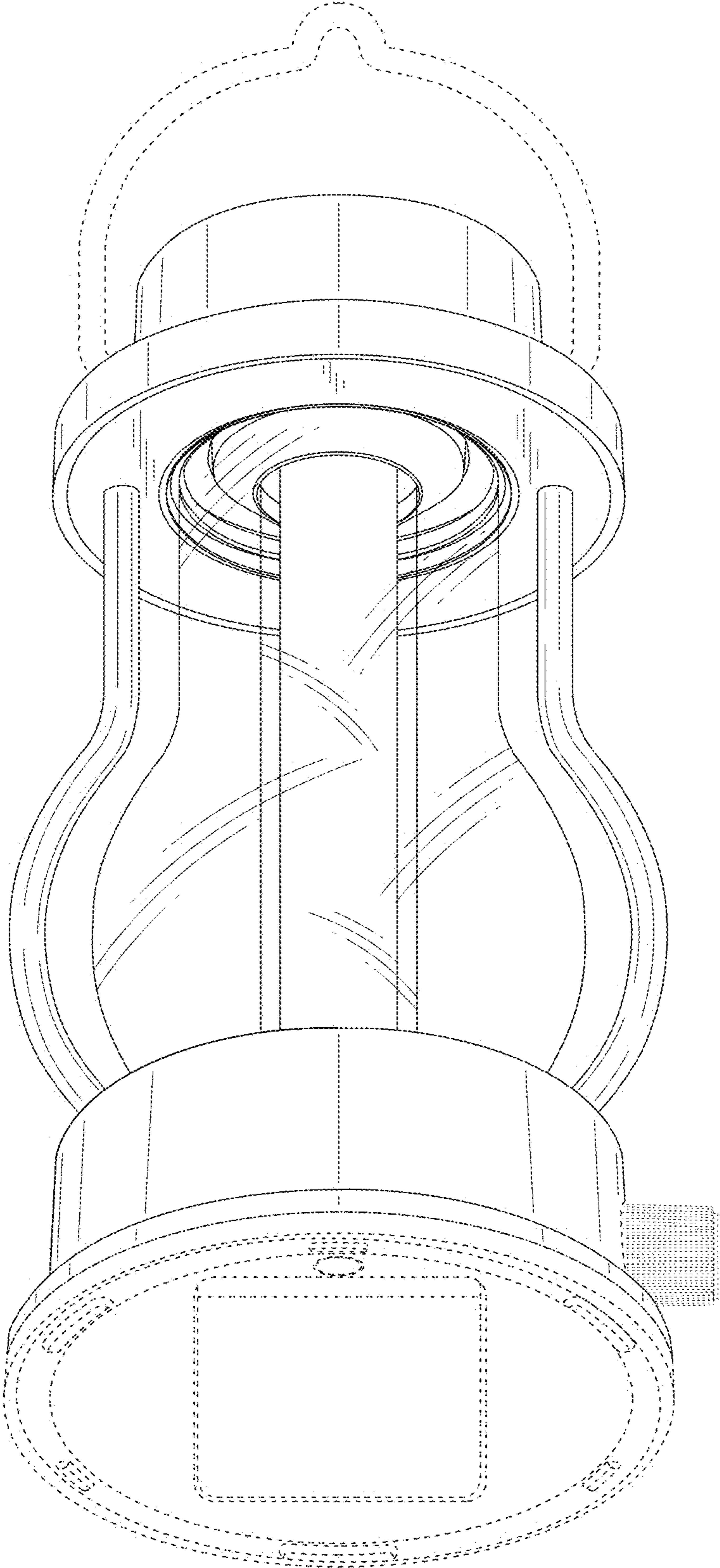


FIG. 2

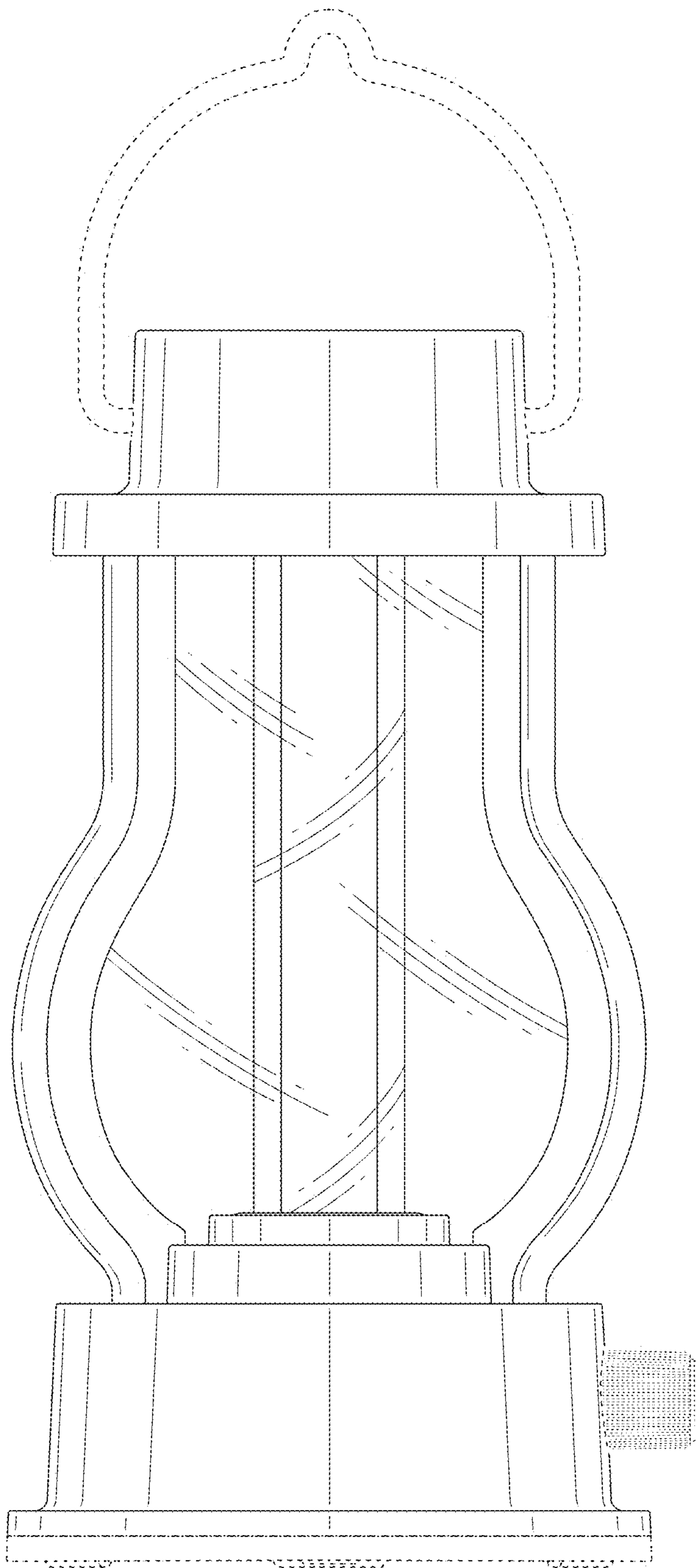


FIG. 3

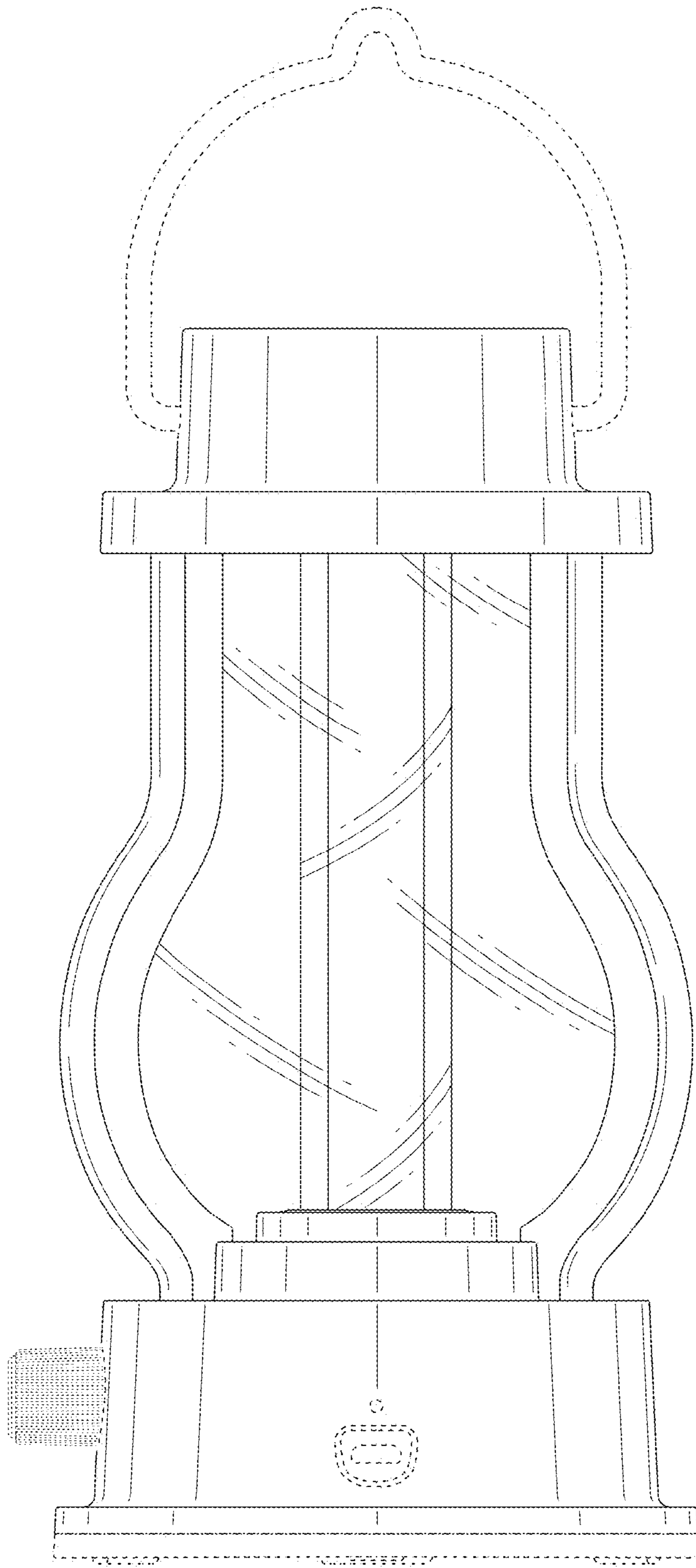


FIG. 4

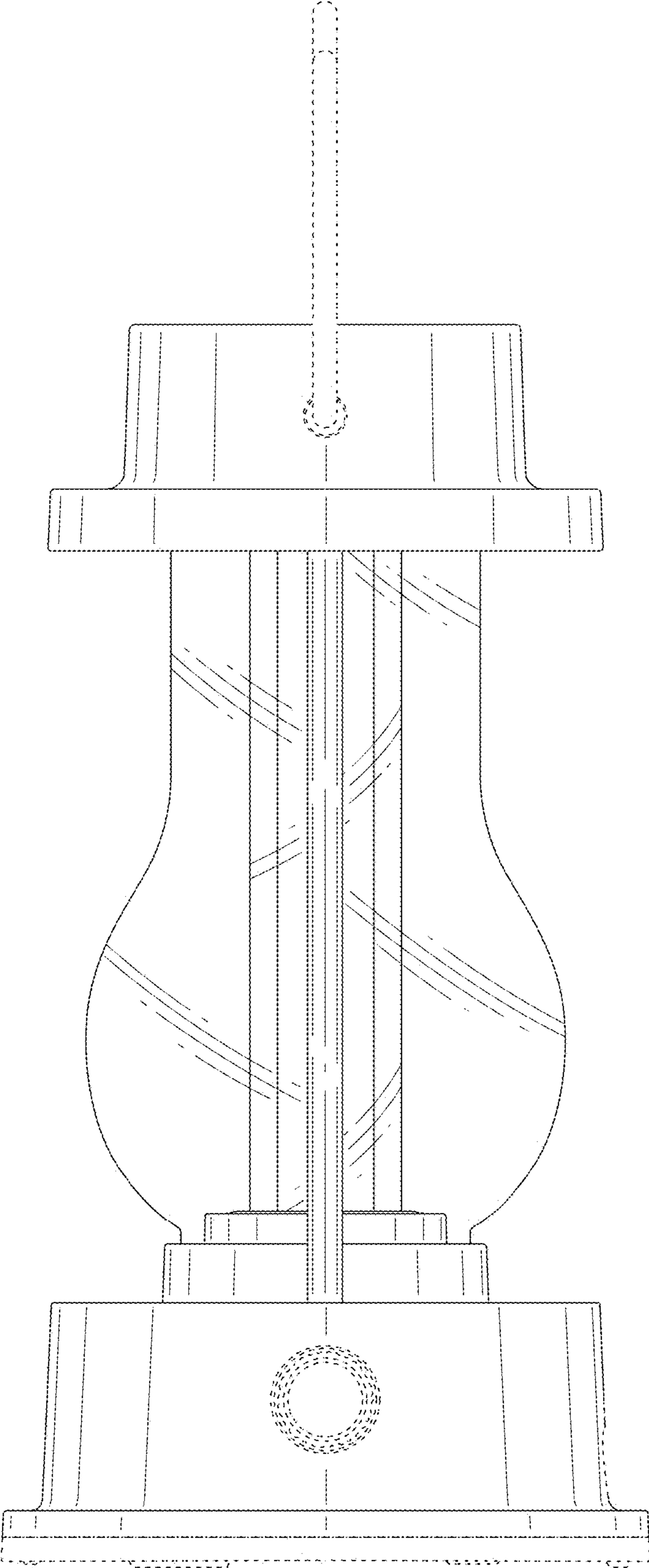


FIG. 5

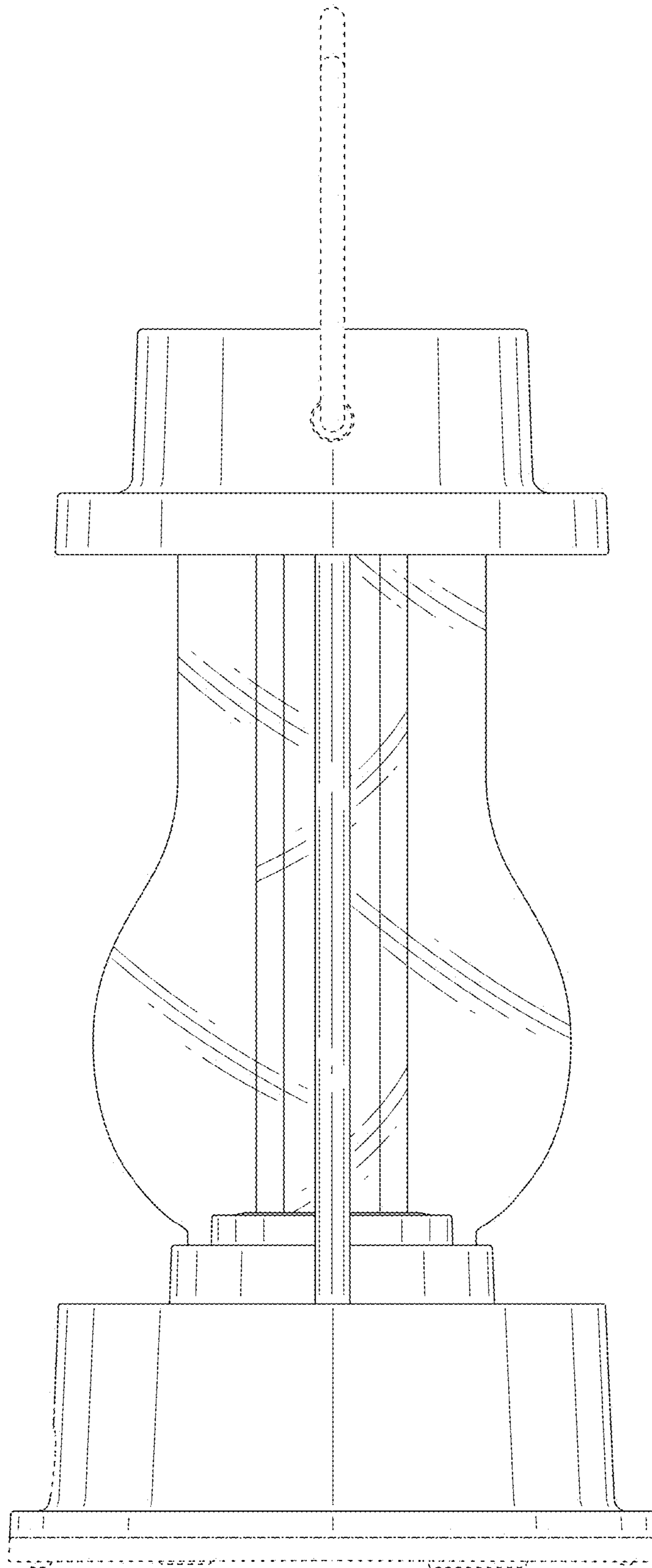


FIG. 6

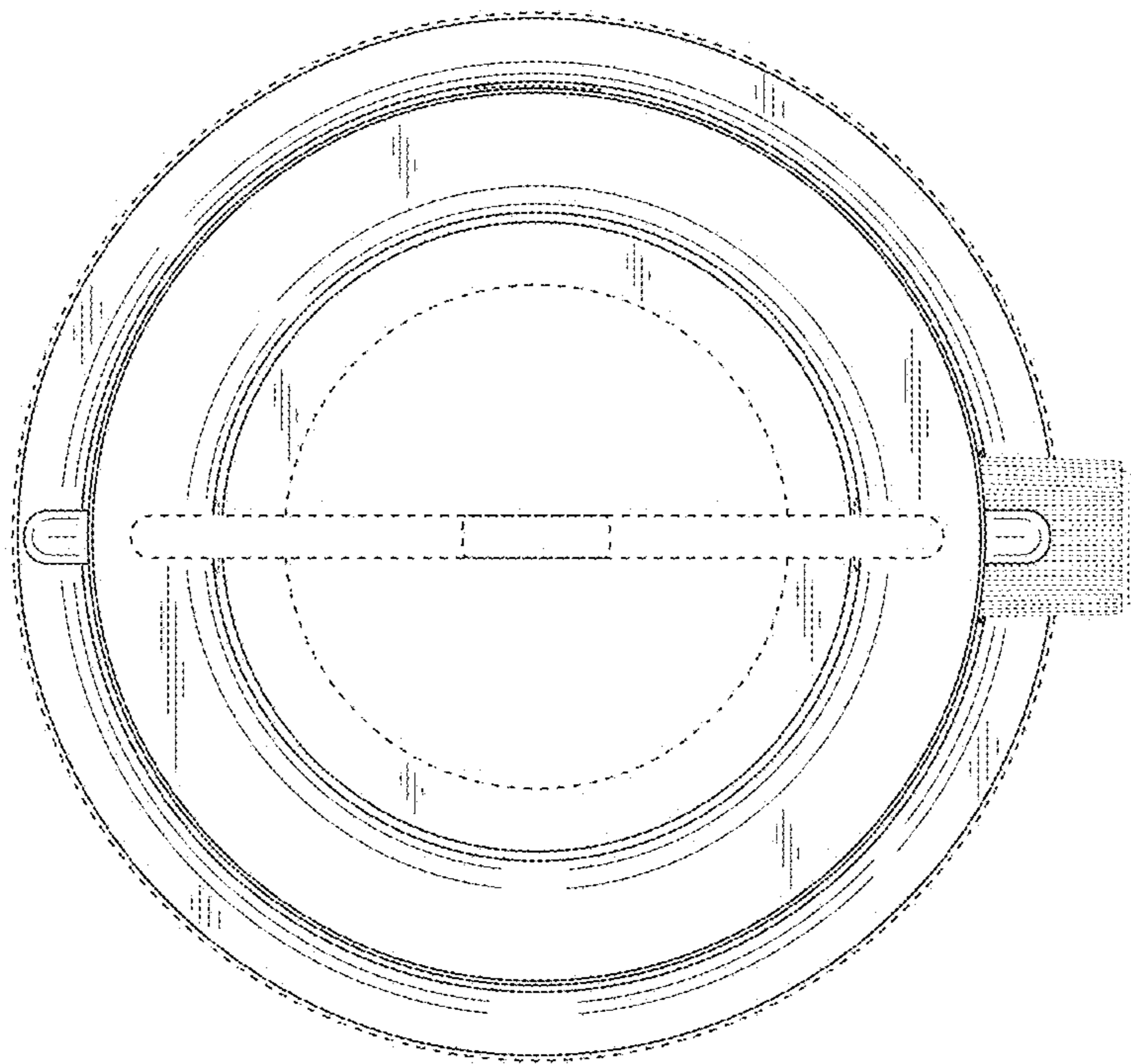


FIG. 7