



US00D971468S

(12) **United States Design Patent** (10) **Patent No.:** **US D971,468 S**
Zhu (45) **Date of Patent:** **** Nov. 29, 2022**

(54) **CLIP-ON LED LIGHT**

(71) Applicant: **Wuhan Qiyue Electronic Commerce Co. LTD, Wuhan (CN)**

(72) Inventor: **Zhe Zhu, Changde (CN)**

(**) Term: **15 Years**

(21) Appl. No.: **29/845,901**

(22) Filed: **Jul. 12, 2022**

(51) **LOC (13) Cl.** **26-02**

(52) **U.S. Cl.**
USPC **D26/39; D26/60**

(58) **Field of Classification Search**
USPC **D26/40, 41, 67-70, 85, 91, 55, 60**
CPC **F21S 8/03; F21S 9/037; F21W 2111/02;**
F21W 2131/109

See application file for complete search history.

(56) **References Cited**

U.S. PATENT DOCUMENTS

D737,492 S	8/2015	Li	
D846,175 S	4/2019	Baumeister et al.	
D872,920 S	1/2020	Korpi	
D907,836 S *	1/2021	Zhou	D16/237
D910,220 S *	2/2021	Wang	D26/63
D910,221 S *	2/2021	Wang	D26/63
D924,454 S *	7/2021	Xiong	D26/51
D929,007 S *	8/2021	Ke	D26/60
D932,080 S *	9/2021	Wang	D16/250
D932,081 S *	9/2021	Wang	D16/250
D932,681 S *	10/2021	Chen	D26/104
D936,884 S *	11/2021	Lin	D26/60
D937,251 S *	11/2021	Peng	D16/237
D956,306 S *	6/2022	Wang	D26/63
D956,307 S *	6/2022	Wang	D26/63
D957,714 S *	7/2022	Hodgson	D26/106

D961,829 S *	8/2022	Chen	D26/60
D964,634 S *	9/2022	Le	D16/244
2021/0180783 A1 *	6/2021	Frydenger	H05B 45/22

OTHER PUBLICATIONS

Amazon, Ring Light, Ring Light for Computer Video Conference Lighting—Laptop Ring Light with Clip and Tripod for Zoom Meeting, Video Calls, Webcam Lighting, Online Learning, Live Streaming, Self Broadcasting, Mar. 23, 2022, <https://a.co/d/ghtV9tT> (Year: 2022).*

* cited by examiner

Primary Examiner — Keli L Hill

Assistant Examiner — Harold E Blackwell, II

(74) *Attorney, Agent, or Firm* — Runit Ranjit Kanakia

(57) **CLAIM**

The ornamental design for a clip-on LED light, as shown and described.

DESCRIPTION

FIG. 1 is a first perspective view of a clip-on LED light showing my new design;

FIG. 2 is a second perspective view thereof;

FIG. 3 is a front view thereof;

FIG. 4 is a back view thereof;

FIG. 5 is a left side view thereof;

FIG. 6 is a right side view thereof;

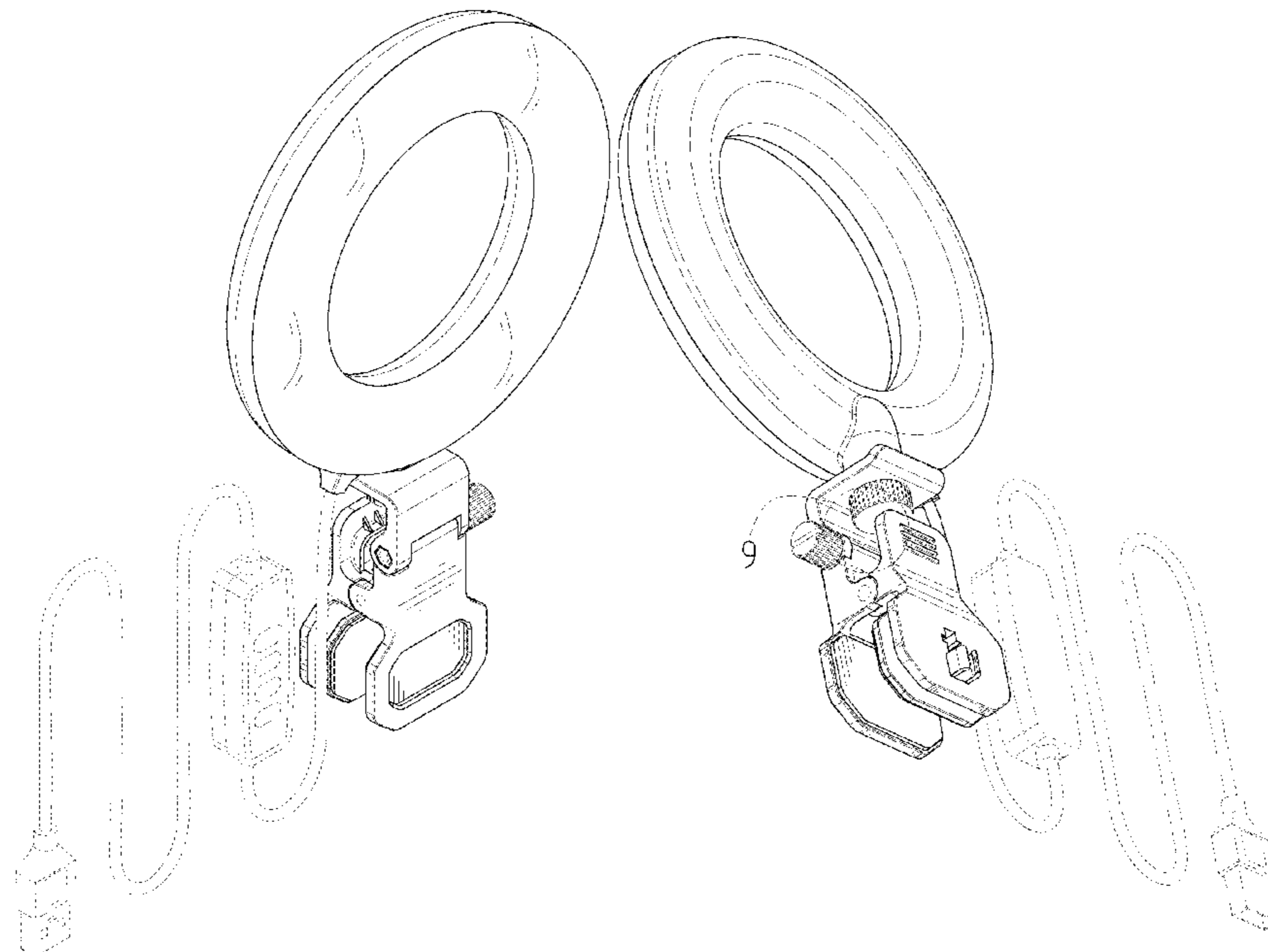
FIG. 7 is a top view thereof;

FIG. 8 is a bottom view thereof; and,

FIG. 9 is an enlarged view of the selected portion 9 in FIG. 2.

The broken lines shown in the drawings depict portions of the clip-on LED light that form no part of the claimed design.

1 Claim, 9 Drawing Sheets



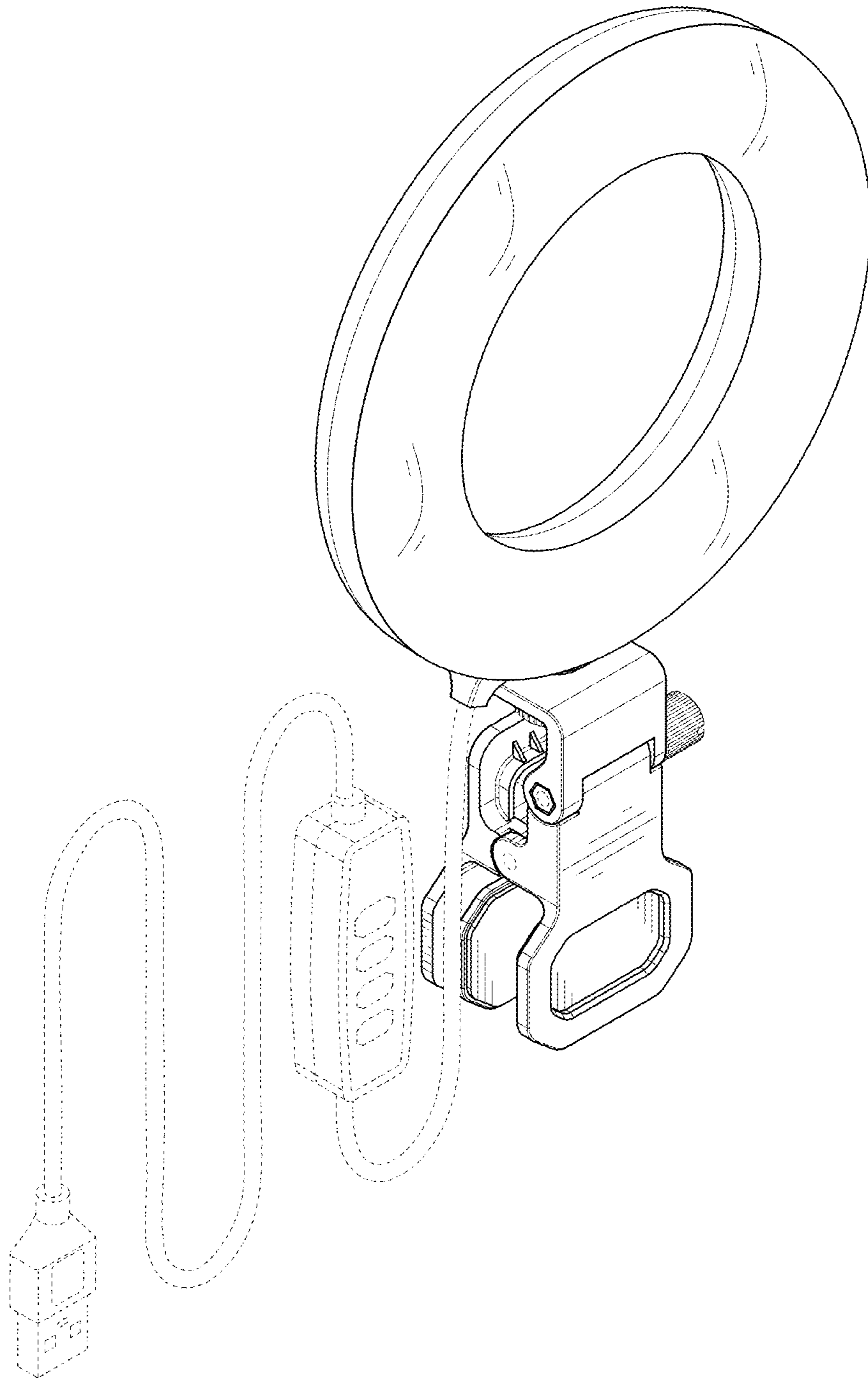


FIG. 1

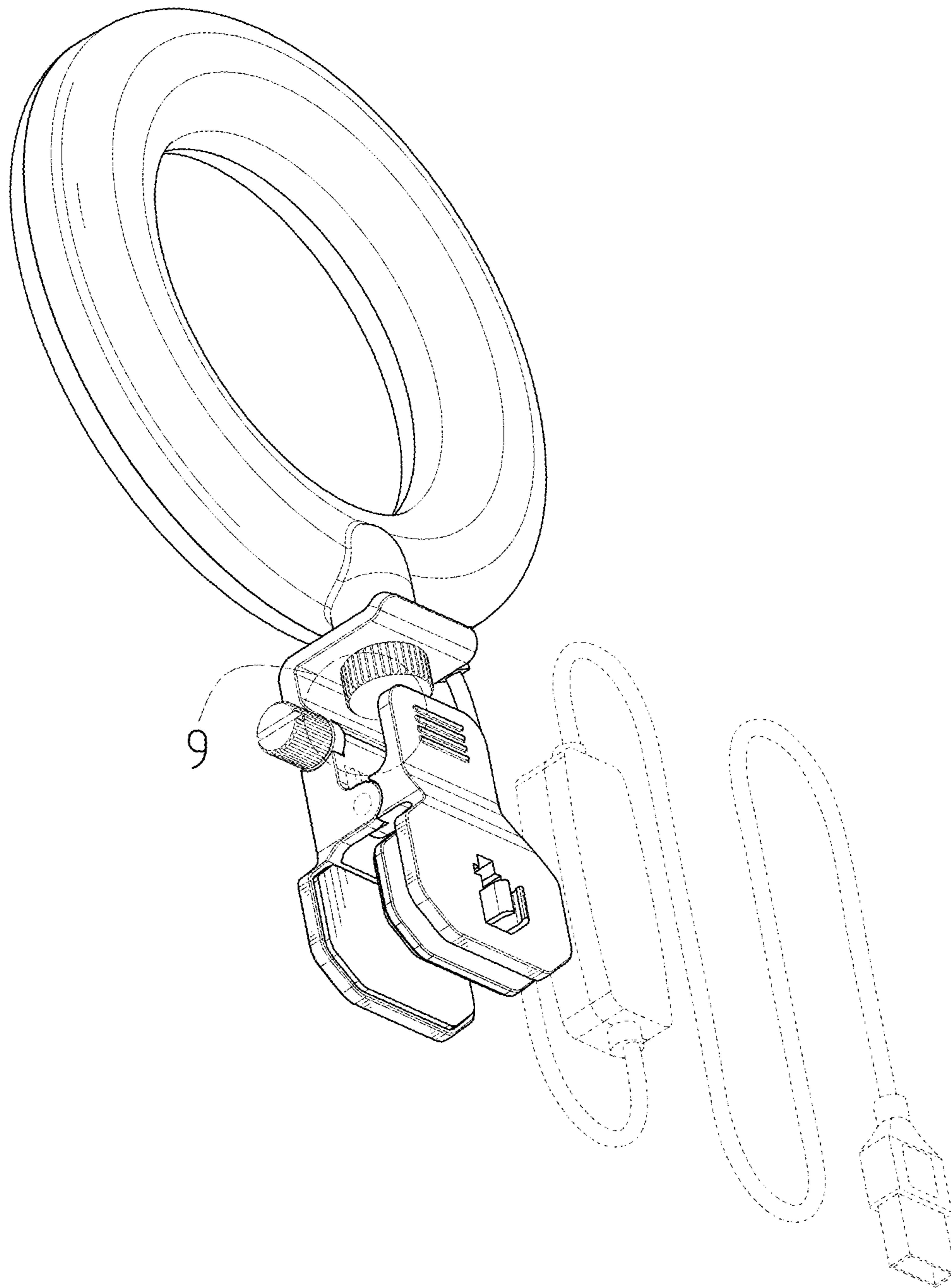


FIG. 2

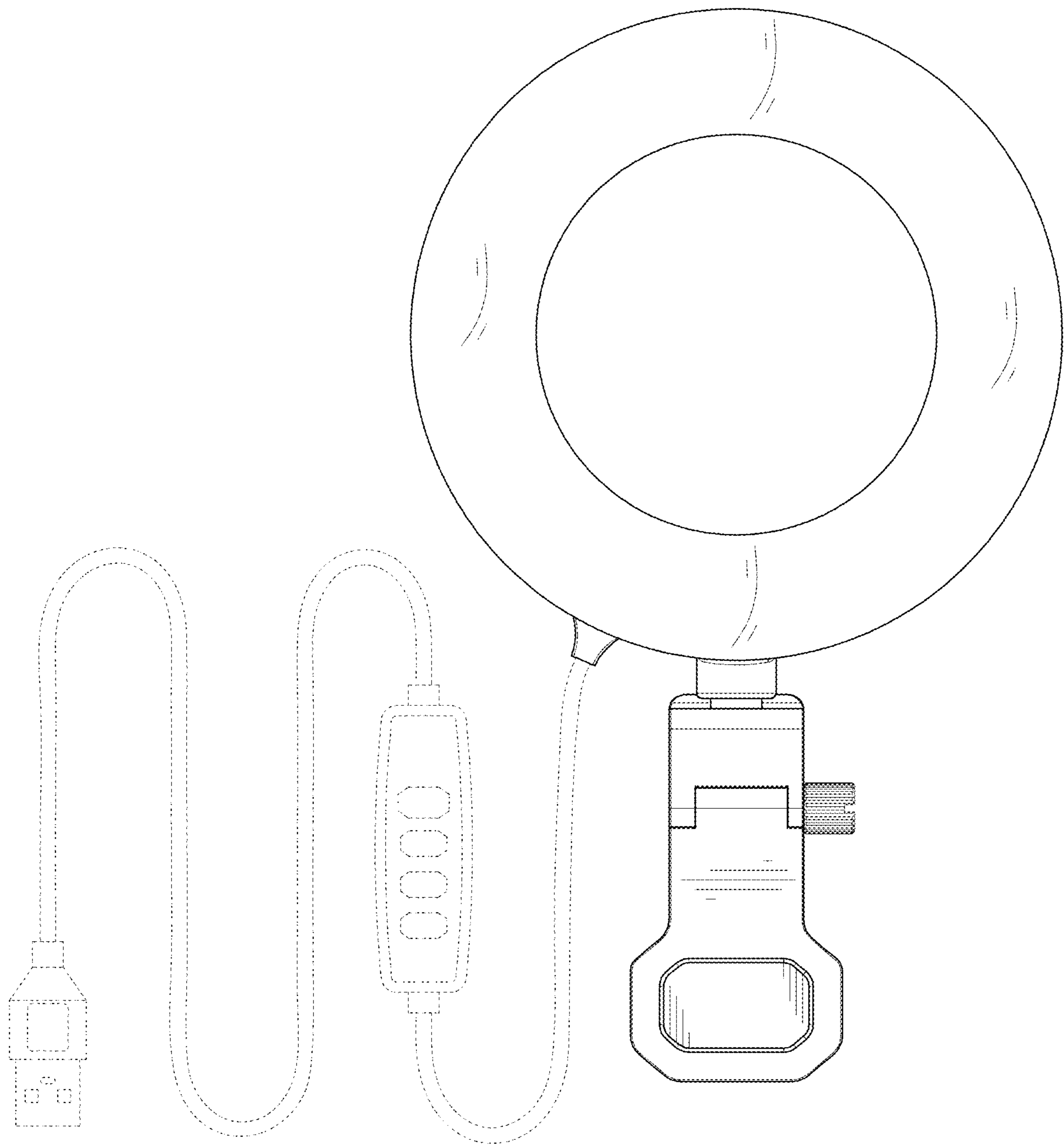


FIG. 3

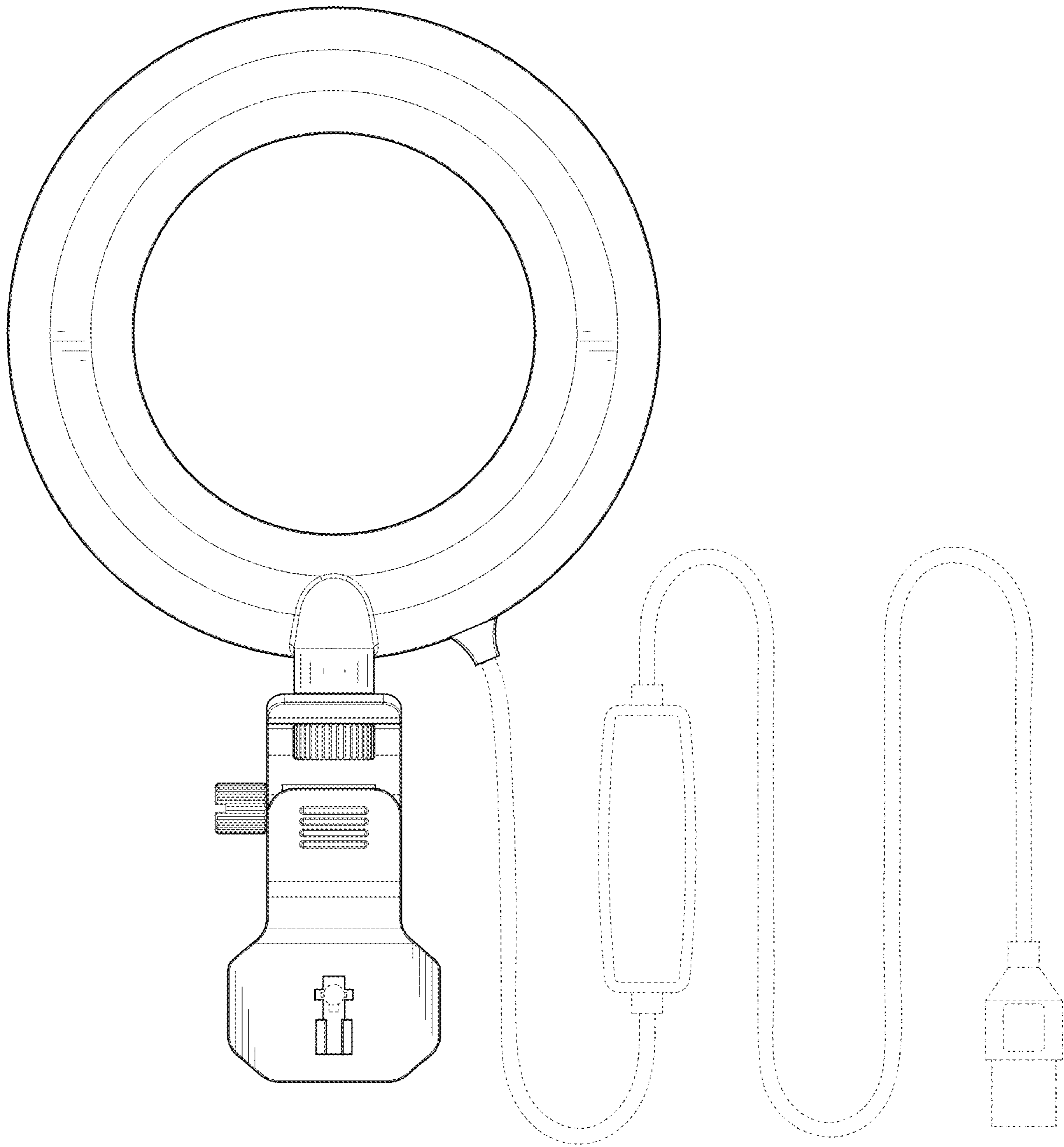


FIG. 4

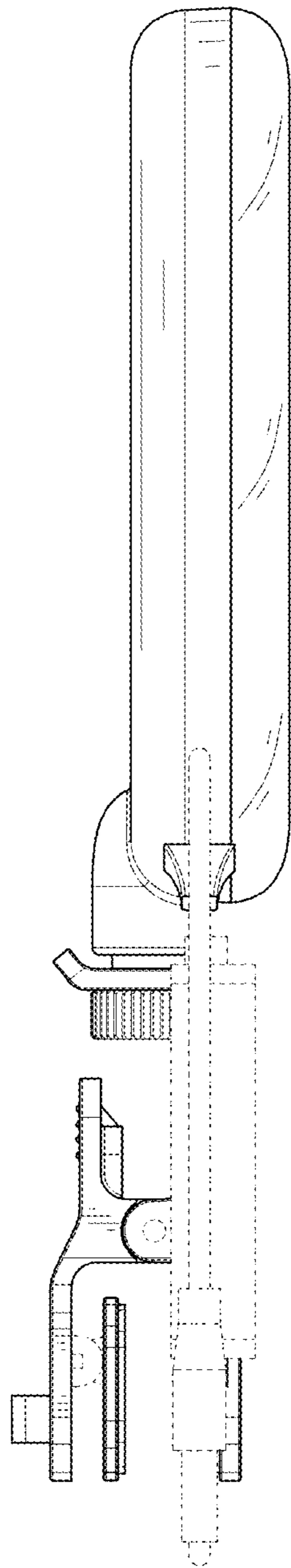


FIG. 5

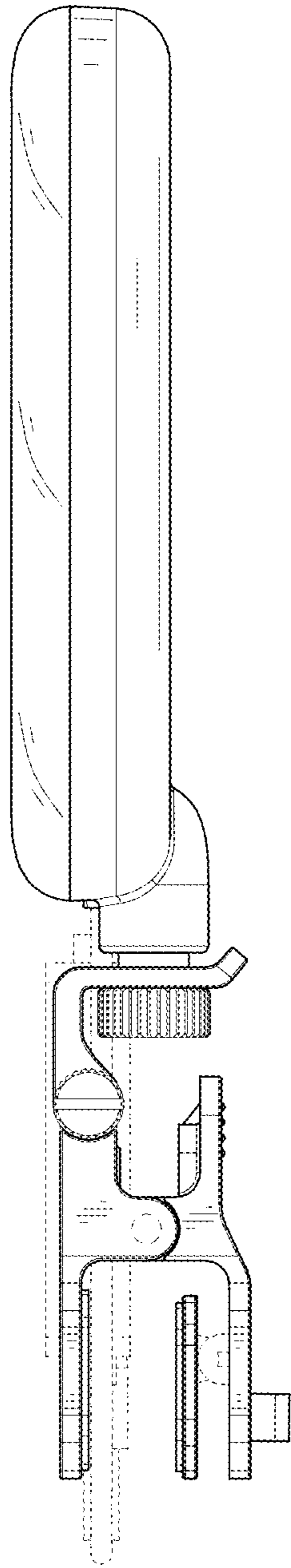


FIG. 6

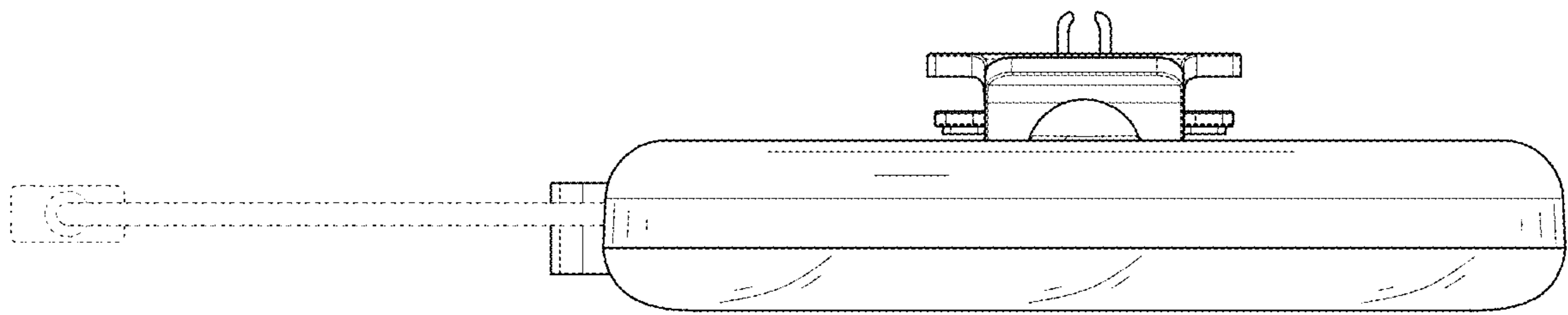


FIG. 7

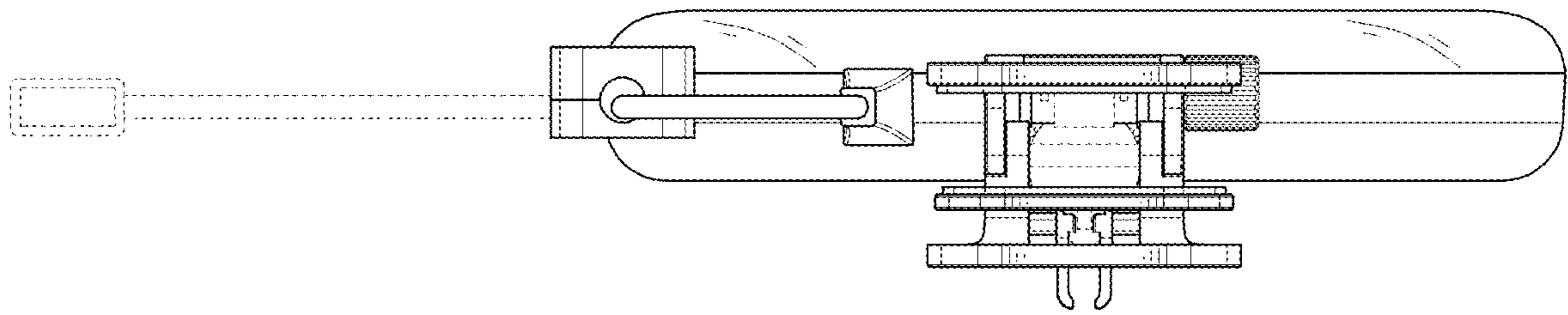


FIG. 8

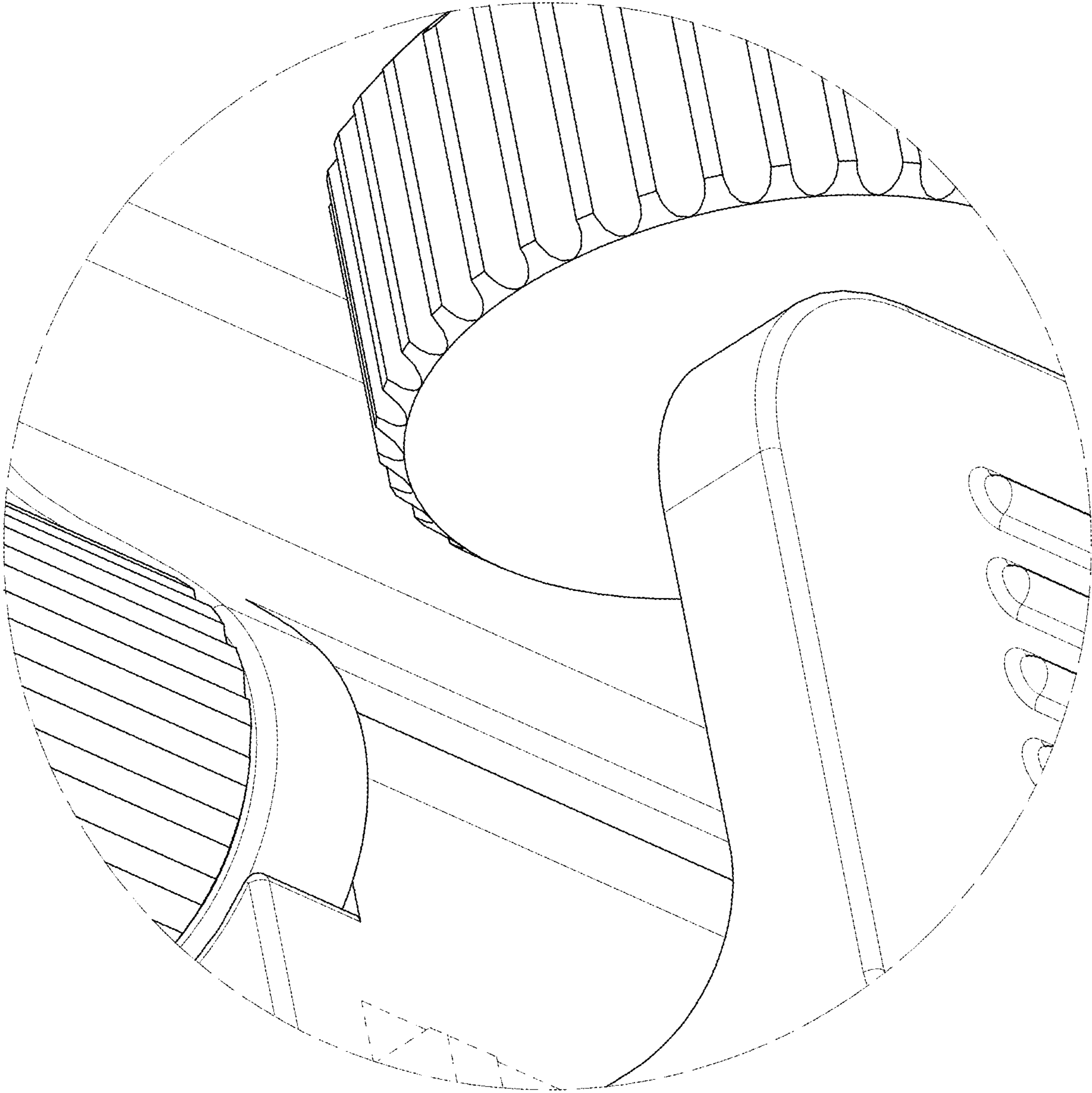


FIG. 9