



US00D971467S

(12) **United States Design Patent** (10) **Patent No.:** **US D971,467 S**
Petzl (45) **Date of Patent:** **** Nov. 29, 2022**

(54) **HEADLAMP**

(71) Applicant: **ZEDEL**, Crolles (FR)

(72) Inventor: **Paul Petzl**, Barraux (FR)

(73) Assignee: **ZEDEL**, Crolles (FR)

(**) Term: **15 Years**

(21) Appl. No.: **29/735,042**

(22) Filed: **May 18, 2020**

(30) **Foreign Application Priority Data**

Nov. 21, 2019 (EM) 007271168

(51) **LOC (13) Cl.** **26-02**

(52) **U.S. Cl.**
USPC **D26/39**

(58) **Field of Classification Search**
USPC D26/24, 37-52, 113, 118-119, 138
CPC F21Y 2115/10; F21Y 2113/13; F21Y
2115/30; F21Y 2113/10; F21Y 2105/12;
F21Y 2107/00; F21Y 2113/00; F21Y
2113/17; F21Y 2113/20; F21Y 2115/00;
F21V 21/084; F21V 23/0414; F21V
23/0492; F21V 23/002; F21V 21/0816;
F21V 21/30; F21V 23/003; F21V
23/0471; F21V 14/06; F21V 15/01; F21V
17/02; F21V 21/096; F21V 21/0965;
F21V 21/145; F21V 23/023; F21V
23/0442; F21V 14/02; F21V 14/025;
F21V 14/04; F21V 17/007; F21V 17/06;
F21V 17/12; F21V 21/002; F21V
21/0885; F21V 21/10; F21V 23/007;
F21V 23/02; F21V 23/0464; F21V
23/0478; F21V 23/0485; F21V 29/15;
F21V 29/70; F21V 33/0008; F21V 5/004;
F21V 5/006; F21V 5/008; F21V 5/08;
F21V 7/00; F21V 7/09; F21V 9/30
See application file for complete search history.

(56) **References Cited**

U.S. PATENT DOCUMENTS

| | | | | | | |
|----------|---|---|---------|-----------|-------|--------|
| D611,629 | S | * | 3/2010 | Sharrah | | D26/39 |
| D633,233 | S | * | 2/2011 | DeBrunner | | D26/24 |
| D693,040 | S | * | 11/2013 | Svensson | | D26/39 |
| D715,982 | S | * | 10/2014 | Windom | | D26/39 |
| D810,336 | S | * | 2/2018 | Green | | D26/39 |
| D853,002 | S | * | 7/2019 | Petzl | | D26/39 |
| D872,331 | S | * | 1/2020 | Smith | | D26/39 |
| D929,006 | S | * | 8/2021 | Yan | | D26/39 |
| D932,671 | S | * | 10/2021 | Bertken | | D26/39 |

(Continued)

OTHER PUBLICATIONS

Duo RL. By Petzl. Dated Nov. 4, 2020. Found online [Feb. 7, 2022].
<https://www.petzl.com/US/en/Sport/Headlamps/DUO-RL> (Year: 2020).*

Primary Examiner — Marissa J Cash
Assistant Examiner — William B Melliar
(74) *Attorney, Agent, or Firm* — Oliff PLC

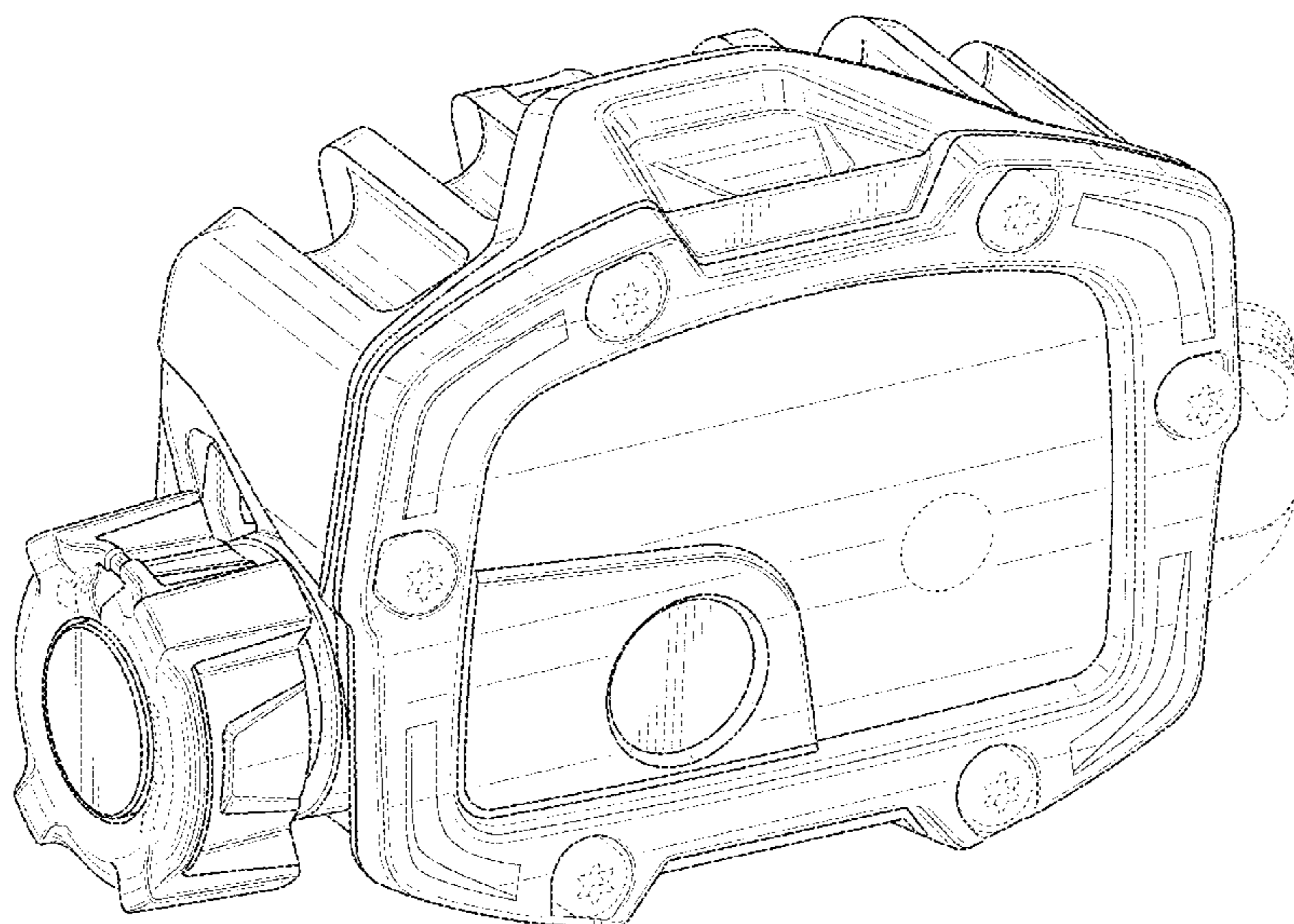
(57) **CLAIM**

The ornamental design for a headlamp, as shown and described.

DESCRIPTION

FIG. 1 is a front, left-side, top perspective view of the headlamp, showing the new design;
FIG. 2 is a front elevational view thereof;
FIG. 3 is a rear elevational view thereof;
FIG. 4 is a left-side elevational view thereof;
FIG. 5 is a right-side elevational view thereof;
FIG. 6 is a top plan view thereof;
FIG. 7 is a bottom plan view thereof; and,
FIG. 8 is a rear, left-side, bottom perspective view thereof.
The broken lines depict parts of the headlamp that form no part of the claimed design.

1 Claim, 8 Drawing Sheets



(56)

References Cited

U.S. PATENT DOCUMENTS

D935,657 S * 11/2021 Xiao D26/39
D955,619 S * 6/2022 Lu D26/39

* cited by examiner

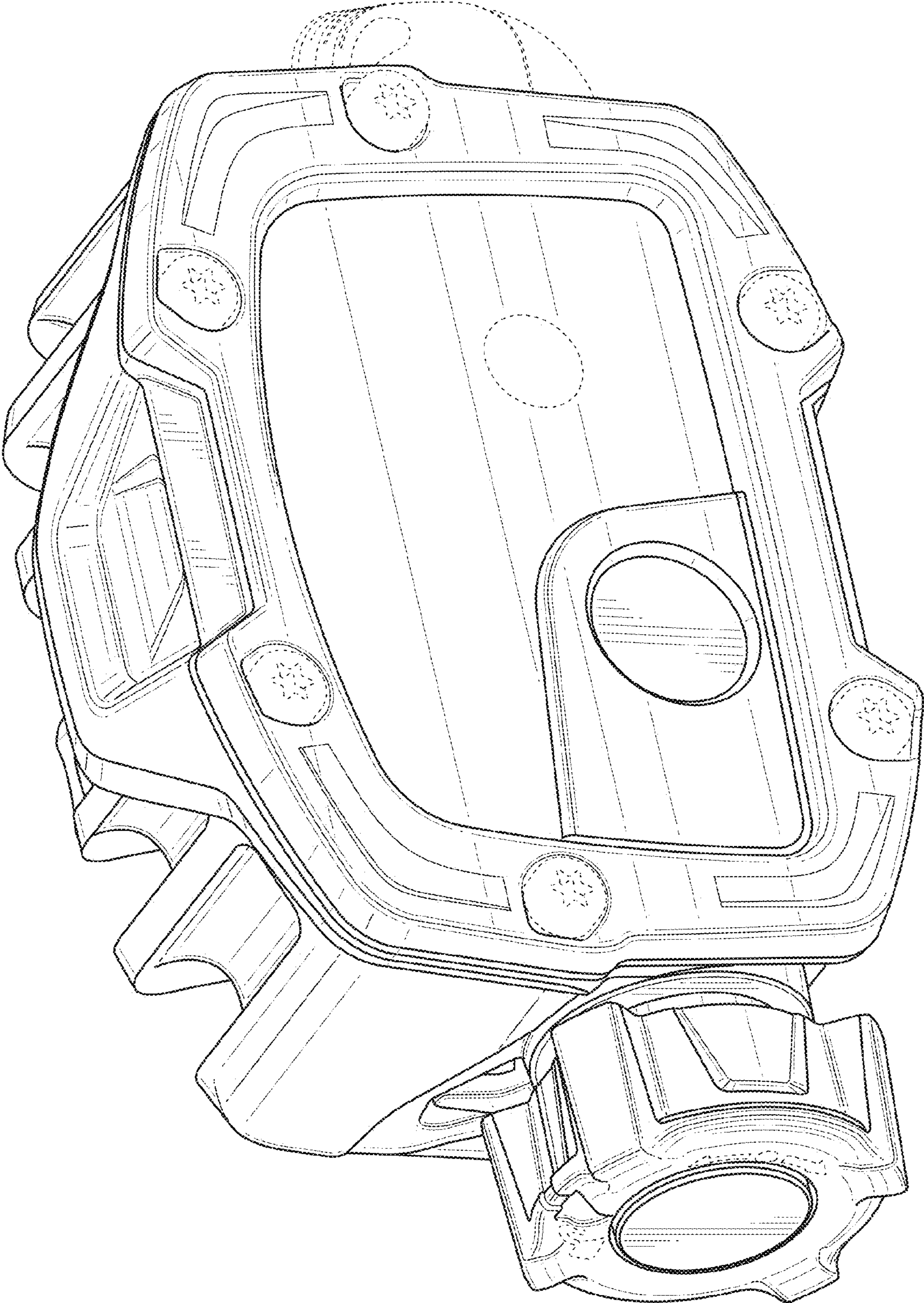


FIG. 1

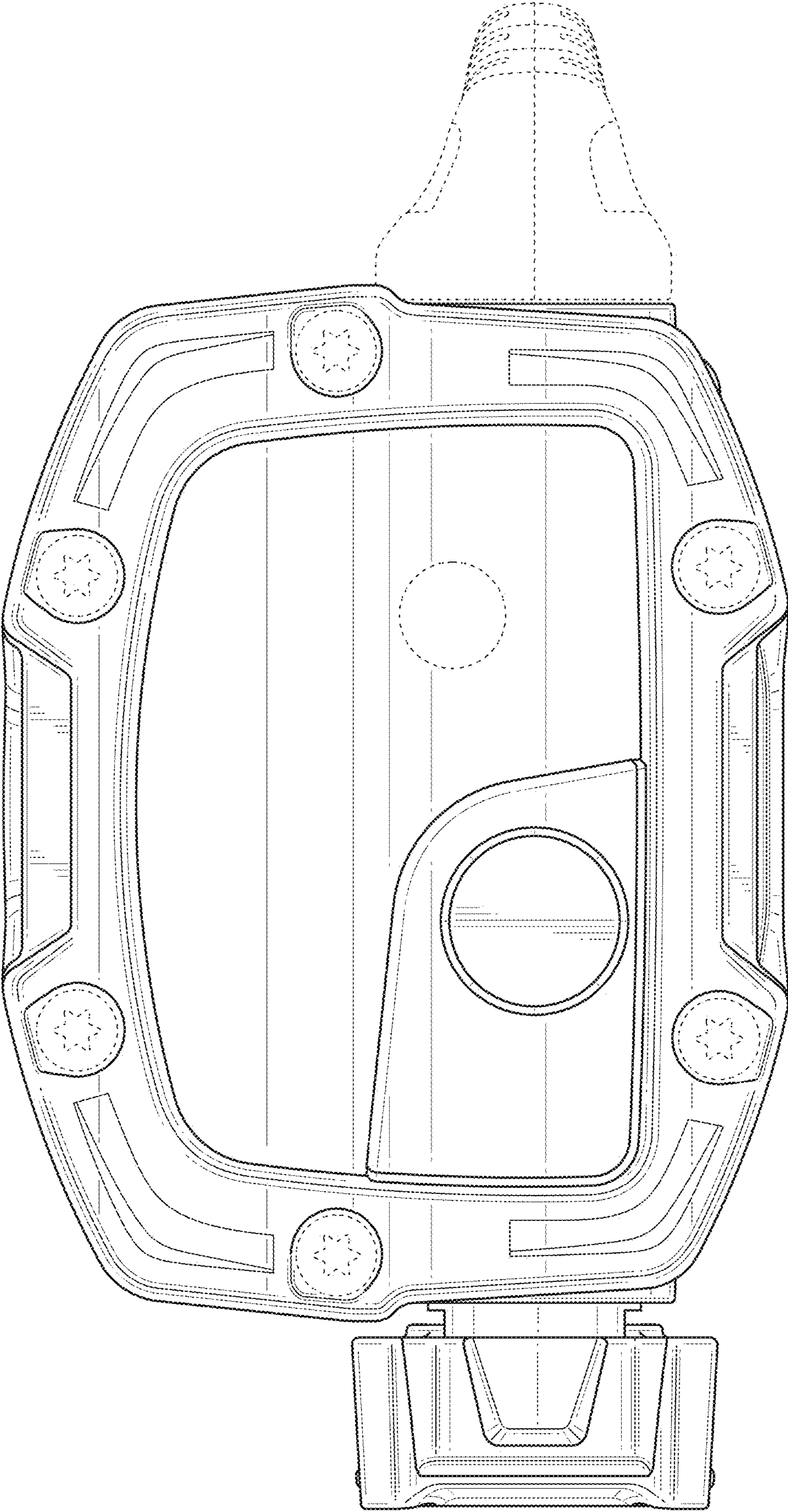


FIG. 2

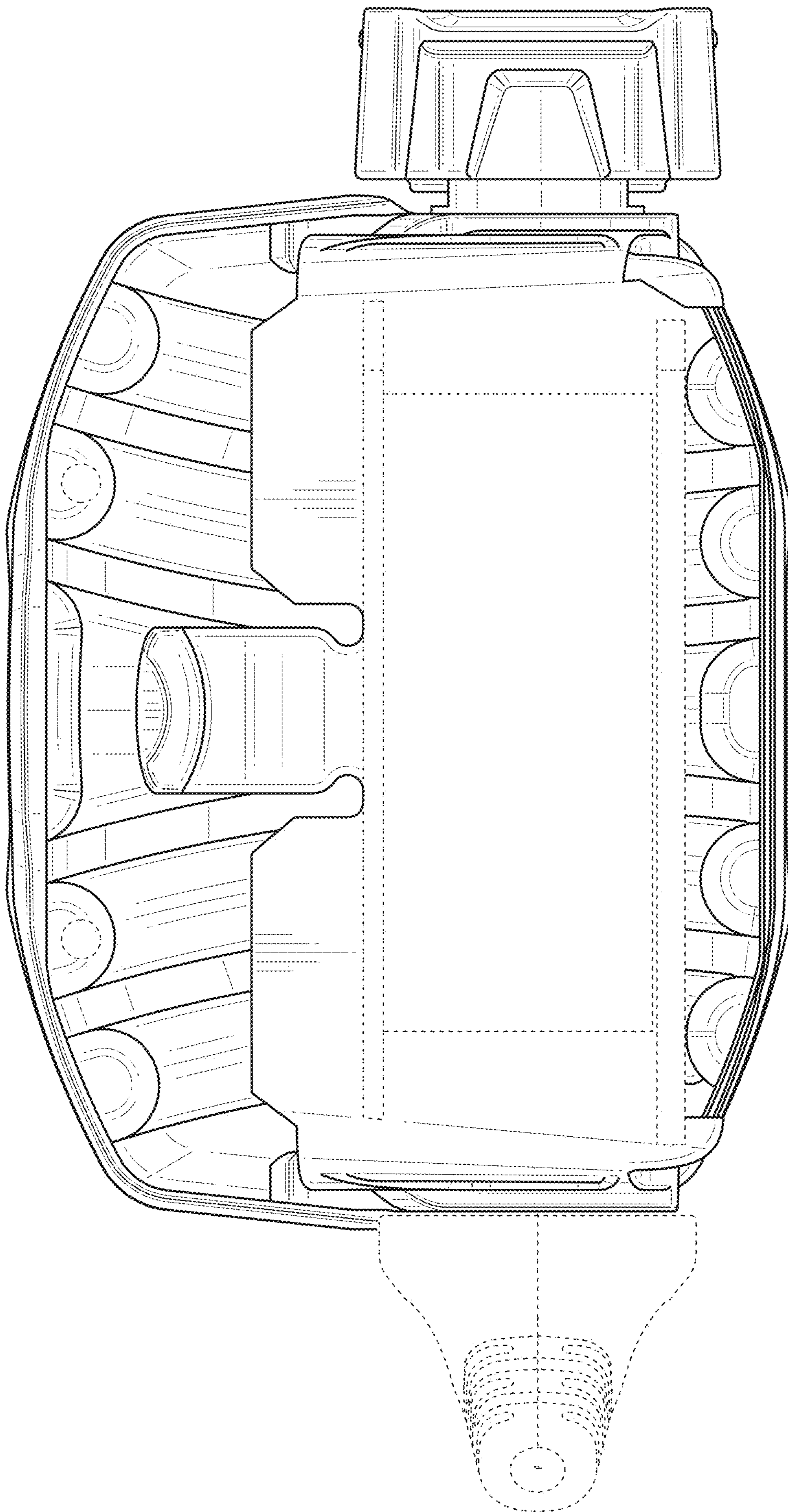


FIG. 3

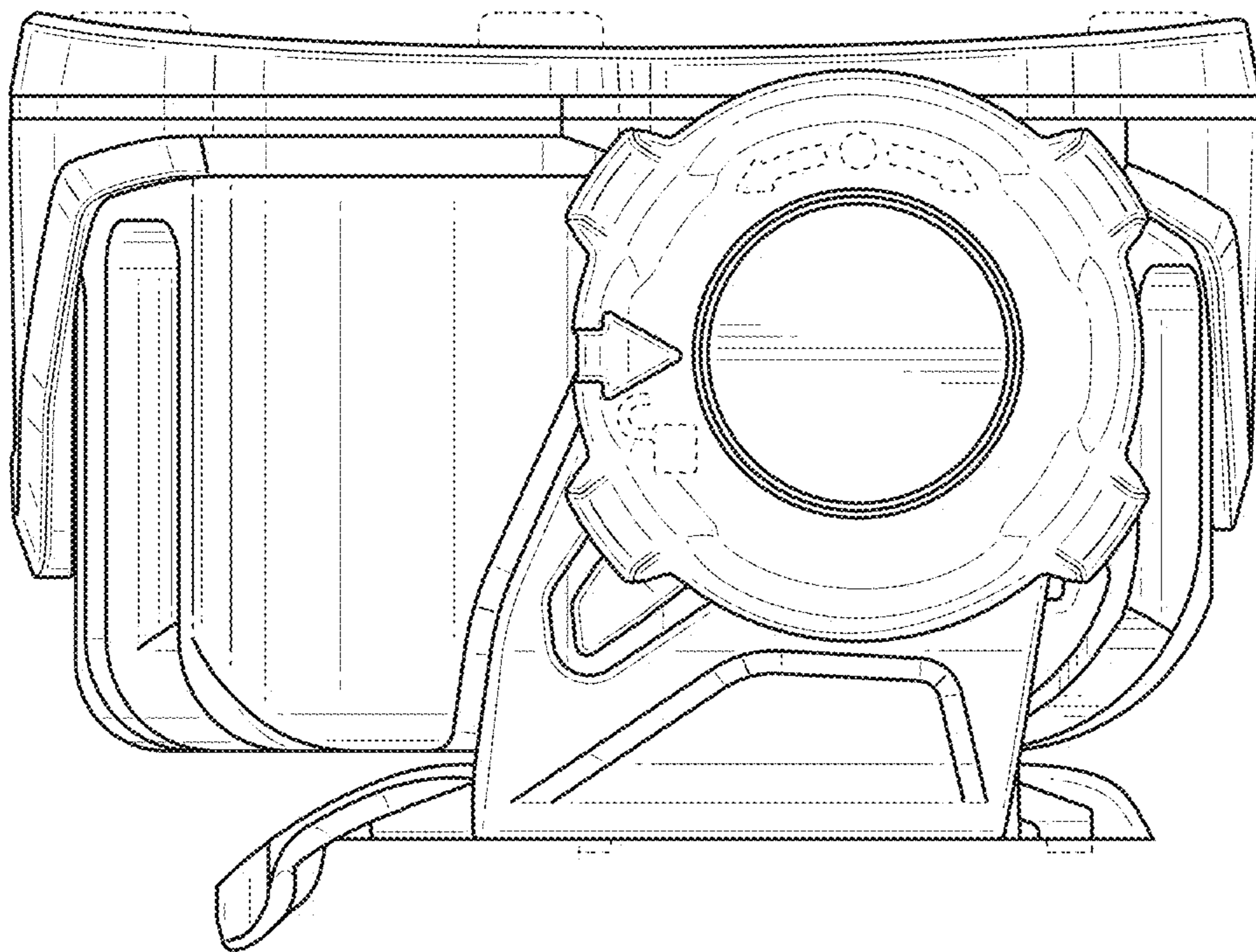


FIG. 4

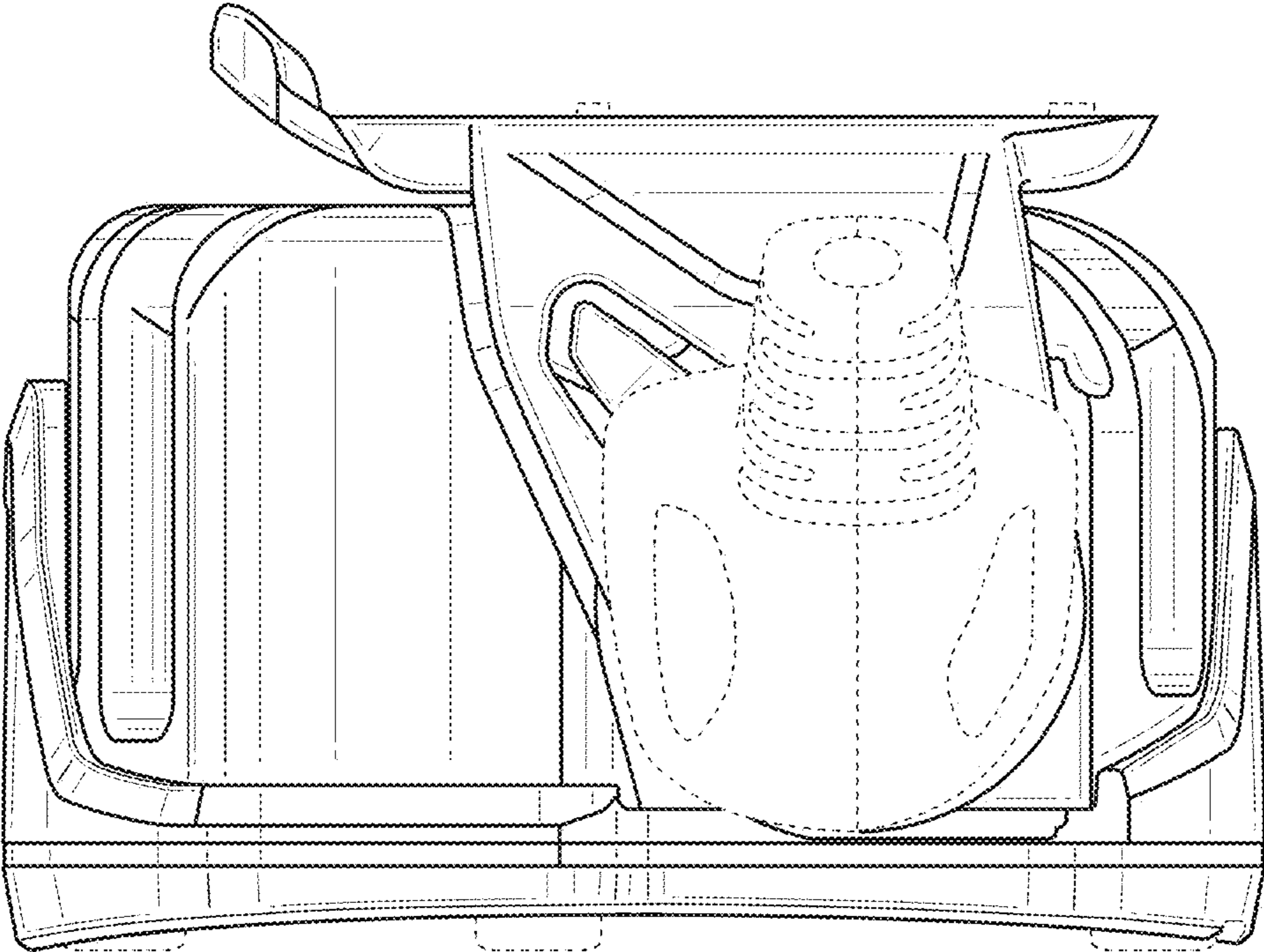


FIG. 5

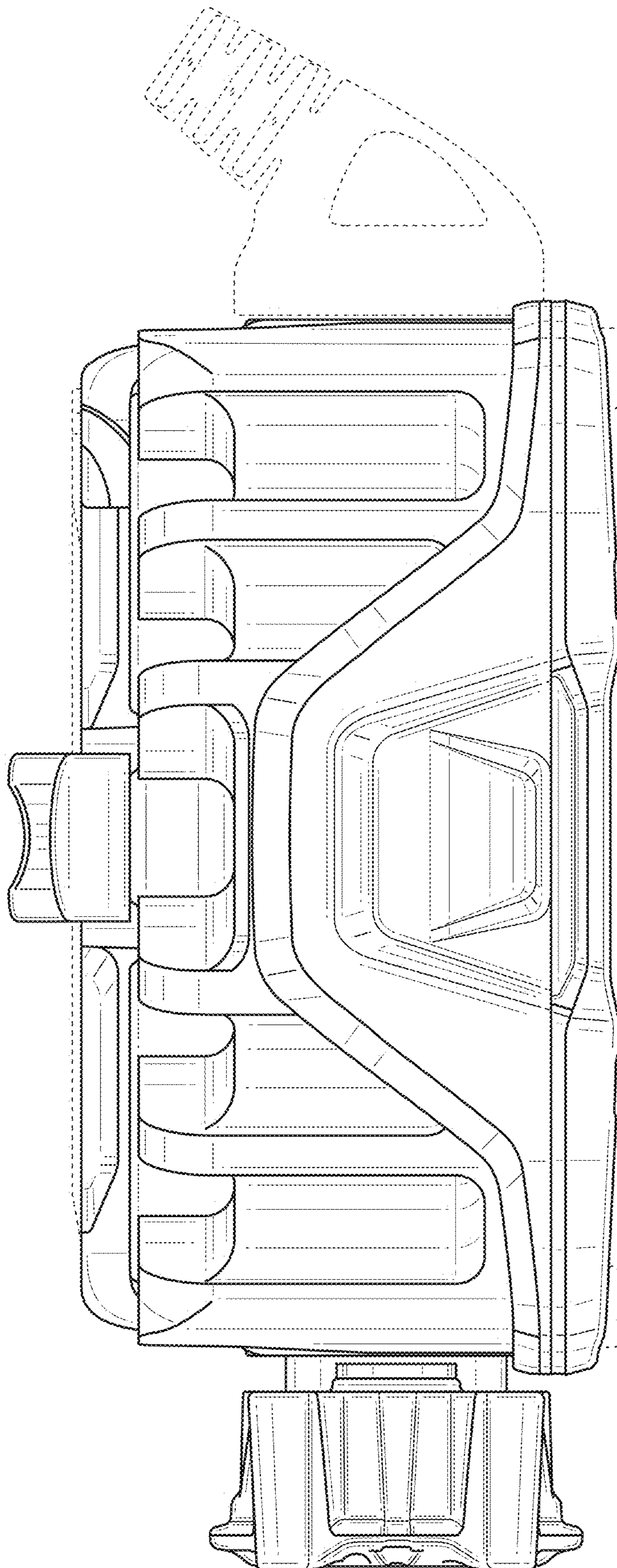


FIG. 6

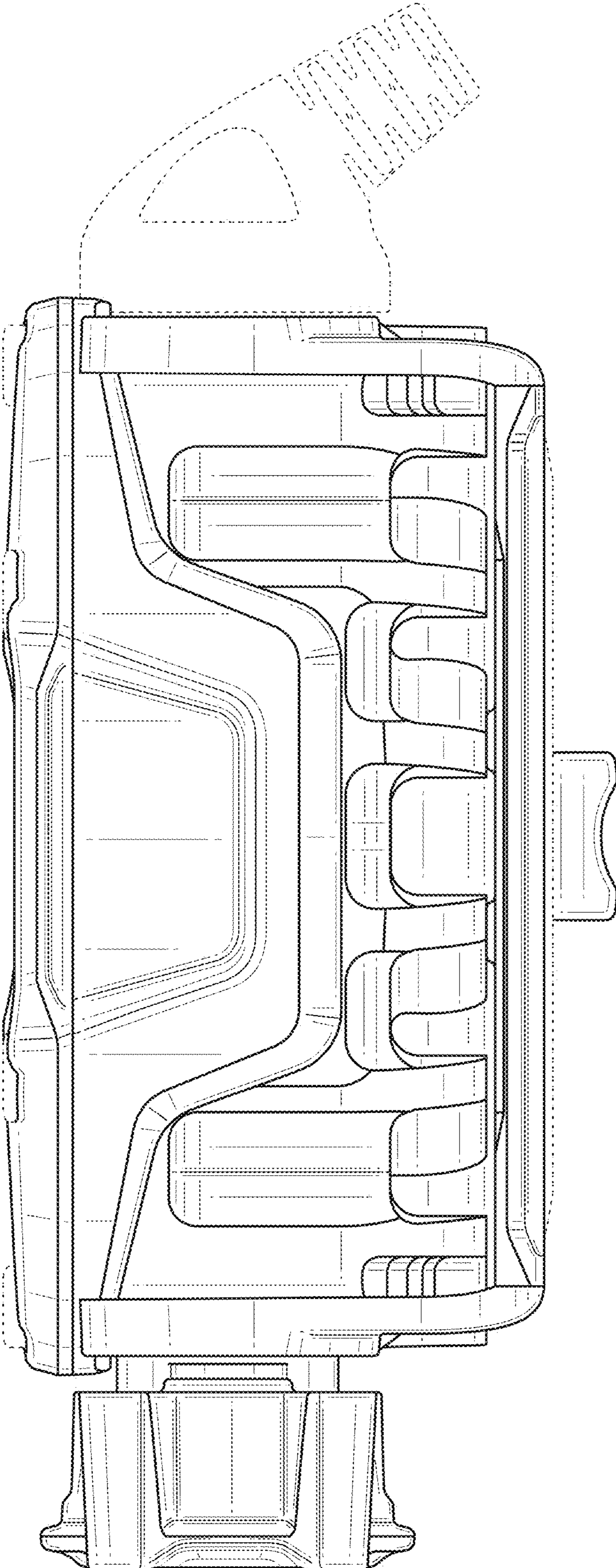


FIG. 7

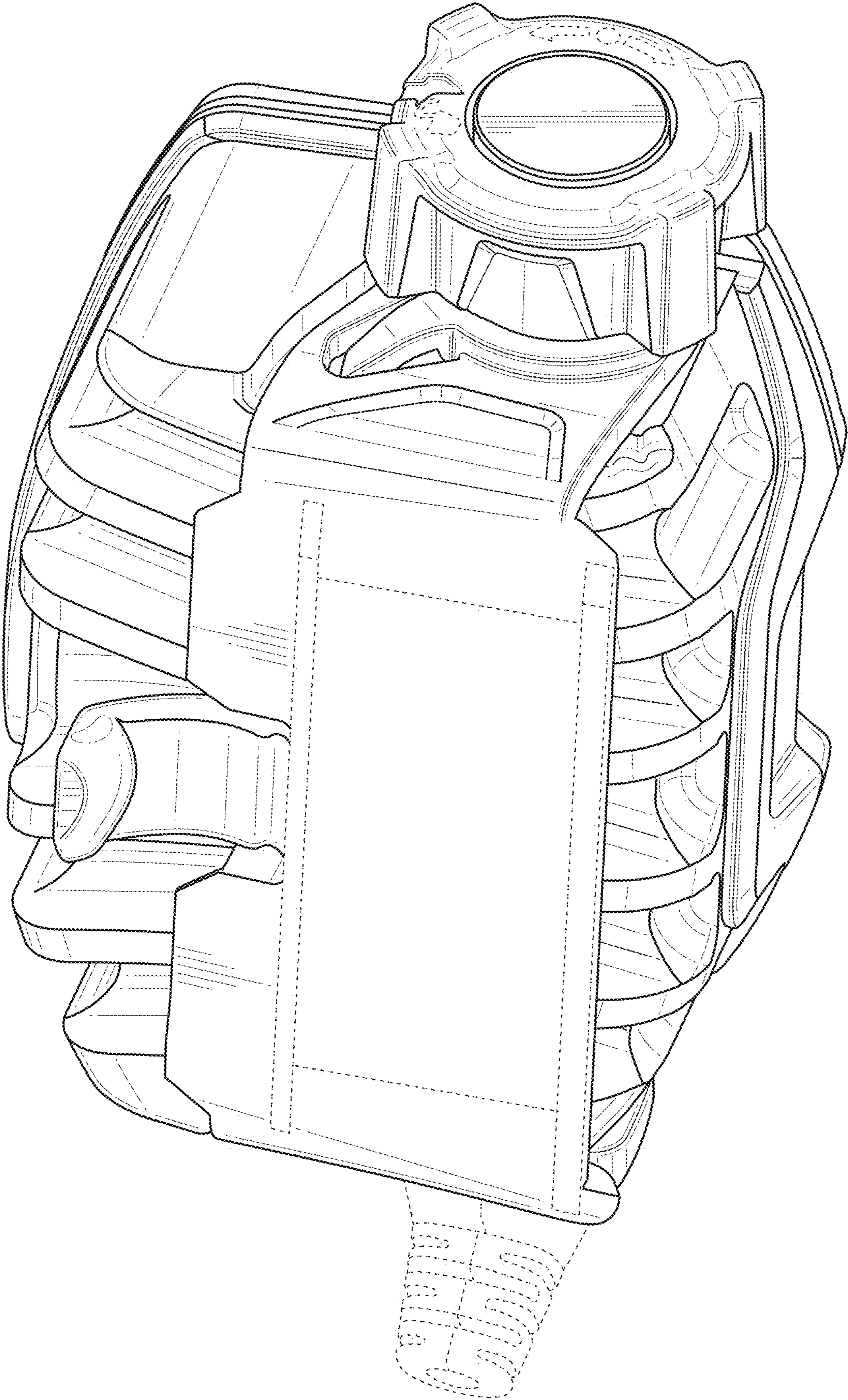


FIG. 8