



US00D971462S

(12) **United States Design Patent** (10) **Patent No.:** **US D971,462 S**
Chang (45) **Date of Patent:** **** Nov. 29, 2022**

(54) **LIGHTING UNIT FOR VEHICLE LIGHT**

(71) Applicant: **SONAR AUTO PARTS CO., LTD.**,
New Taipei (TW)

(72) Inventor: **Chung-Yi Chang**, Hsinchu County
(TW)

(73) Assignee: **SONAR AUTO PARTS CO., LTD.**,
New Taipei (TW)

(**) Term: **15 Years**

(21) Appl. No.: **29/757,980**

(22) Filed: **Nov. 11, 2020**

(51) **LOC (13) Cl.** **26-06**

(52) **U.S. Cl.**
USPC **D26/28**

(58) **Field of Classification Search**
USPC D26/28, 122, 123, 36, 34, 35
CPC .. F21S 41/32; F21S 41/20; F21S 41/36; F21S
41/40; F21S 41/50; F21V 21/04
See application file for complete search history.

(56) **References Cited**

U.S. PATENT DOCUMENTS

D882,833	S	*	4/2020	Wu	D26/28
D885,645	S	*	5/2020	Dennis	D26/118
D886,338	S	*	6/2020	Wu	D26/28
D886,340	S	*	6/2020	Wu	D26/28
D886,341	S	*	6/2020	Wu	D26/28
D909,637	S	*	2/2021	Wu	D26/28
11,001,193	B2	*	5/2021	Letoumelin	F21S 41/151
11,047,545	B1	*	6/2021	Chang	F21S 41/26
D927,740	S	*	8/2021	You	D26/28
D928,997	S	*	8/2021	Korpi	D26/24
D930,200	S	*	9/2021	Kellermann	D26/136

D944,428	S	*	2/2022	Tang	D26/28
D956,328	S	*	6/2022	Owens	D26/118
D957,023	S	*	7/2022	Greenwaldt	D26/63
2012/0008335	A1		1/2012	Yamamoto		
2016/0341391	A1		11/2016	Yamamoto et al.		
2016/0363283	A1		12/2016	Yamamoto		
2019/0257494	A1		8/2019	Mochizuki		
2021/0164632	A1*		6/2021	Pan	F21S 41/321
2021/0231278	A1*		7/2021	Zhang	F21S 41/143
2021/0356090	A1*		11/2021	Zhang	F21S 41/25
2022/0018512	A1*		1/2022	Kay	F21S 41/148
2022/0163182	A1*		5/2022	Mitterlehner	F21S 41/675

* cited by examiner

Primary Examiner — Shawn T Gingrich
Assistant Examiner — Kathryn Elizabeth Chambers
(74) *Attorney, Agent, or Firm* — Li & Cai Intellectual
Property (USA) Office

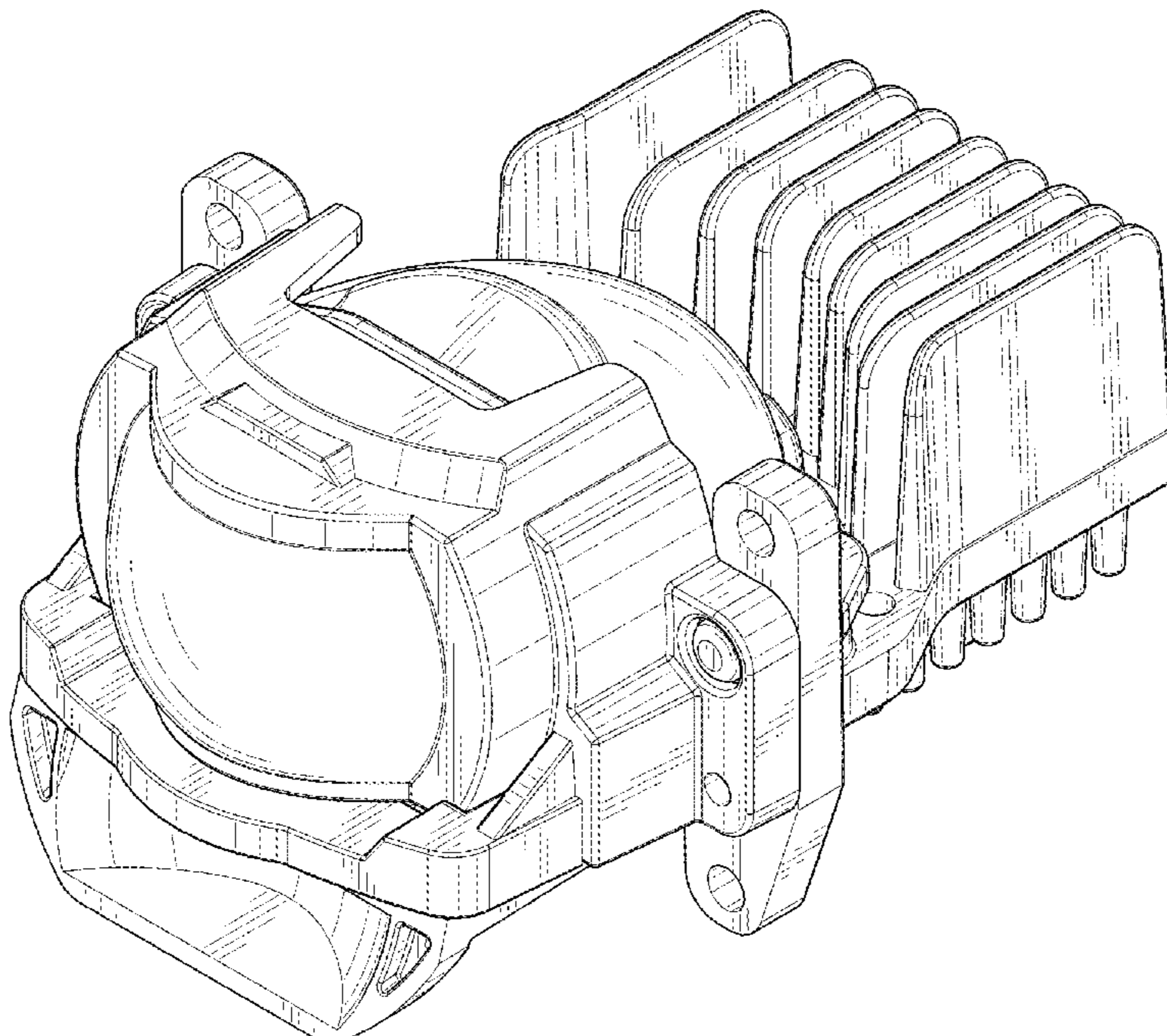
(57) **CLAIM**

The ornamental design for a lighting unit for vehicle light,
as shown and described.

DESCRIPTION

FIG. 1 is a front, right side and top perspective view of a
lighting unit for vehicle light showing the claimed design;
FIG. 2 is a front elevational view thereof;
FIG. 3 is a rear elevational view thereof;
FIG. 4 is a left side elevational view thereof;
FIG. 5 is a right side elevational view thereof;
FIG. 6 is a top plan view thereof;
FIG. 7 is a bottom plan view thereof; and,
FIG. 8 is a rear, left side and bottom perspective view thereof
The dashed broken lines in the drawing depict portions of
the lighting unit for vehicle light that form no part of the
claimed design.

1 Claim, 8 Drawing Sheets



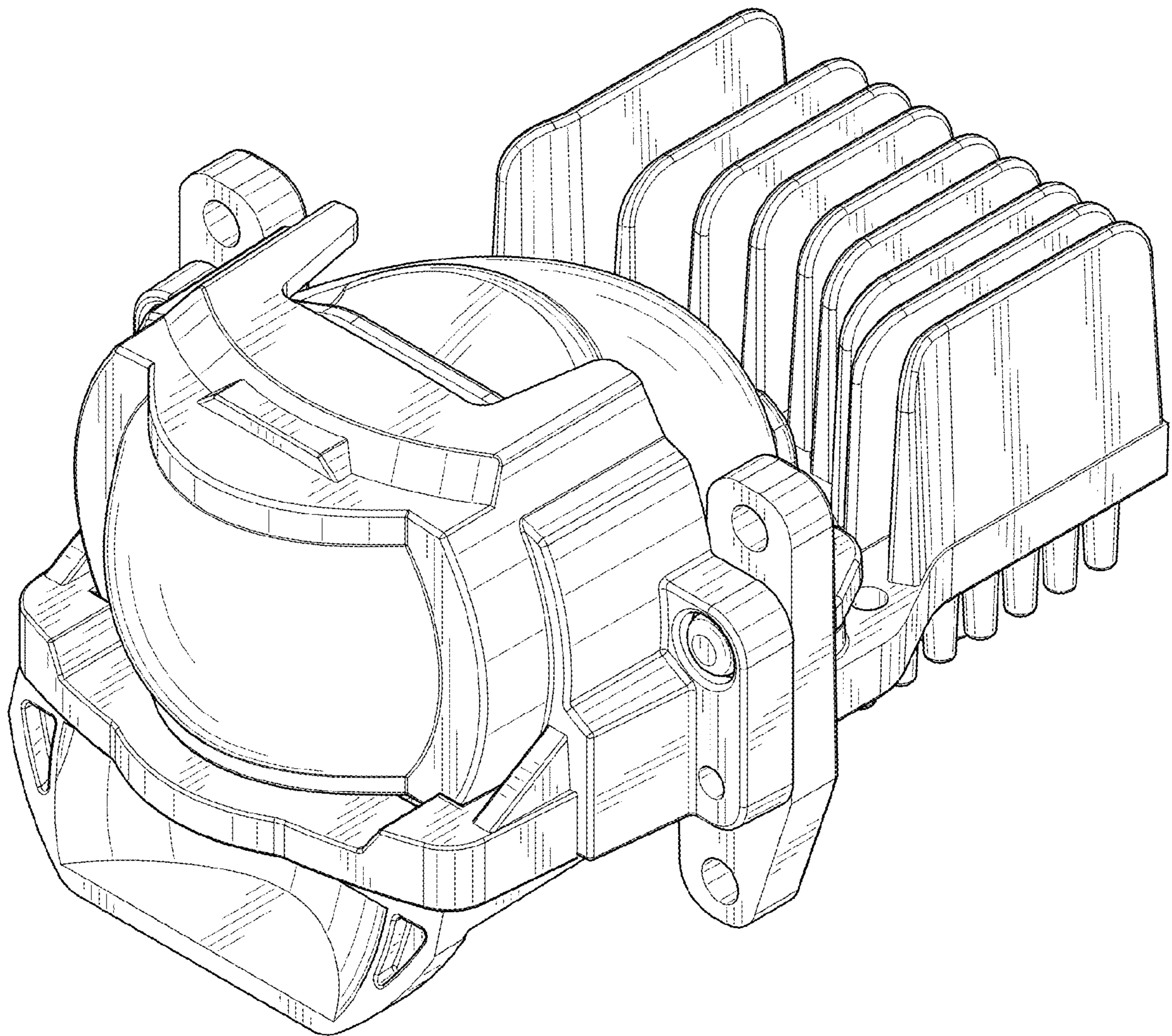


FIG. 1

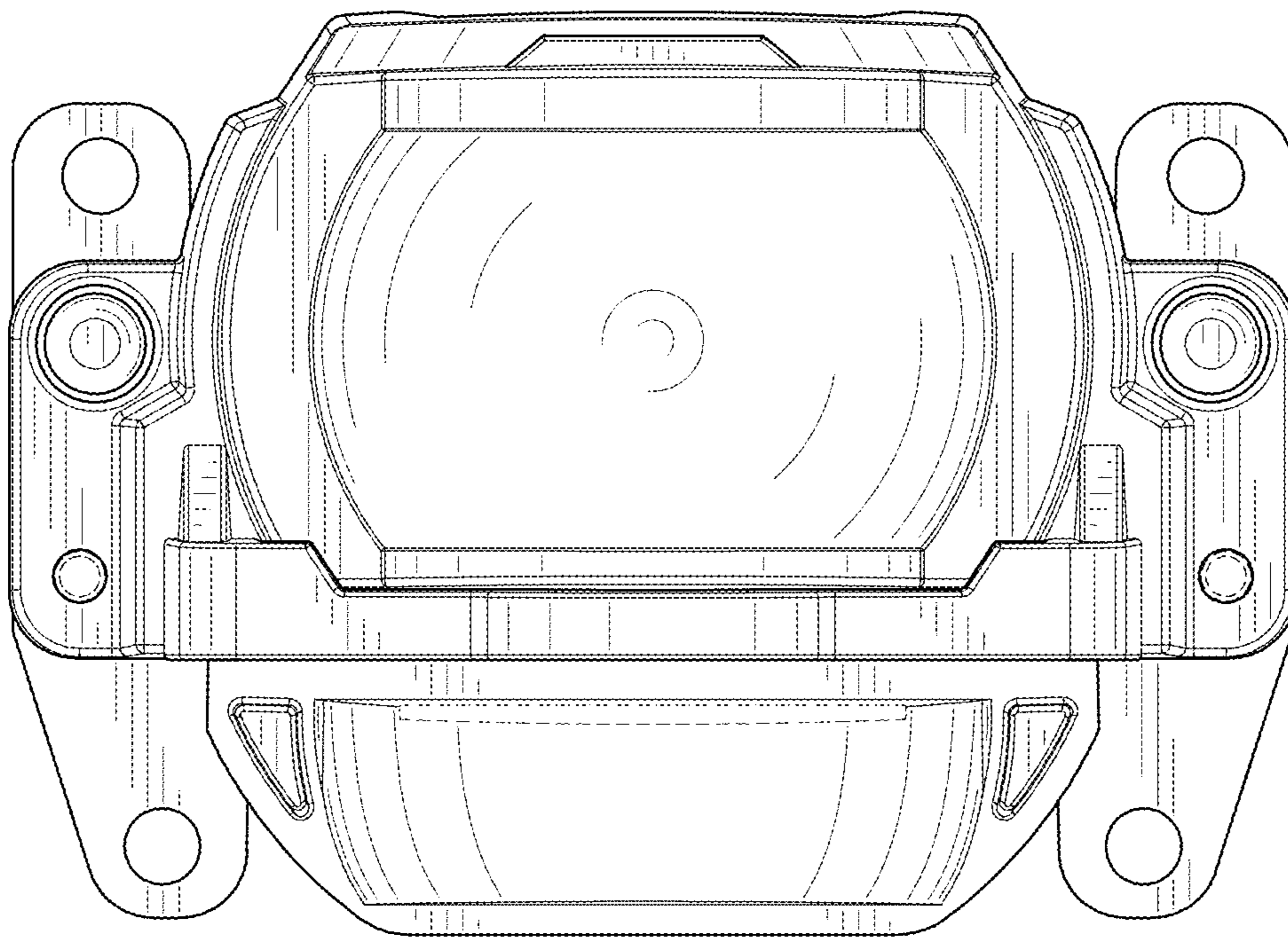


FIG. 2

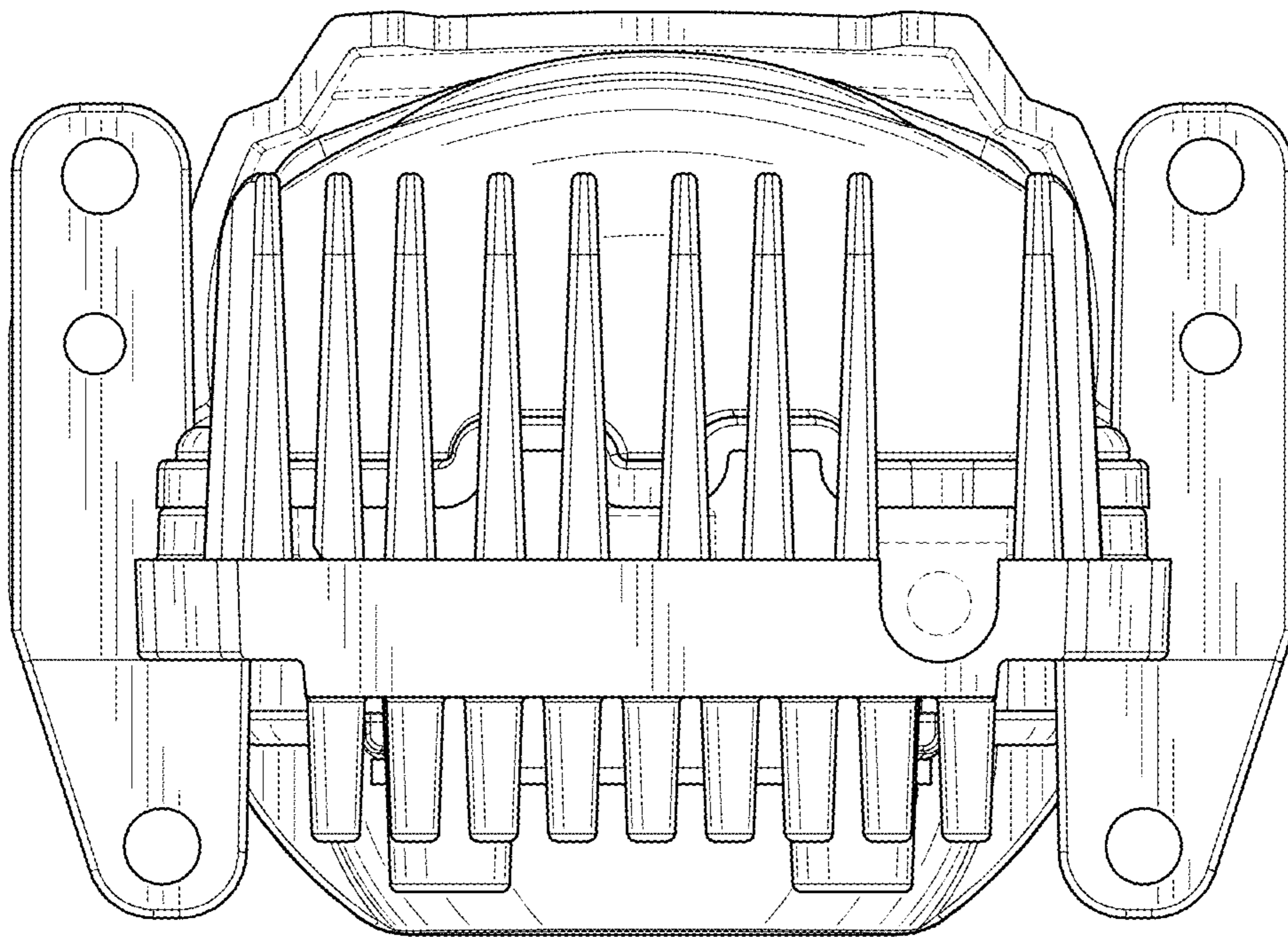


FIG. 3

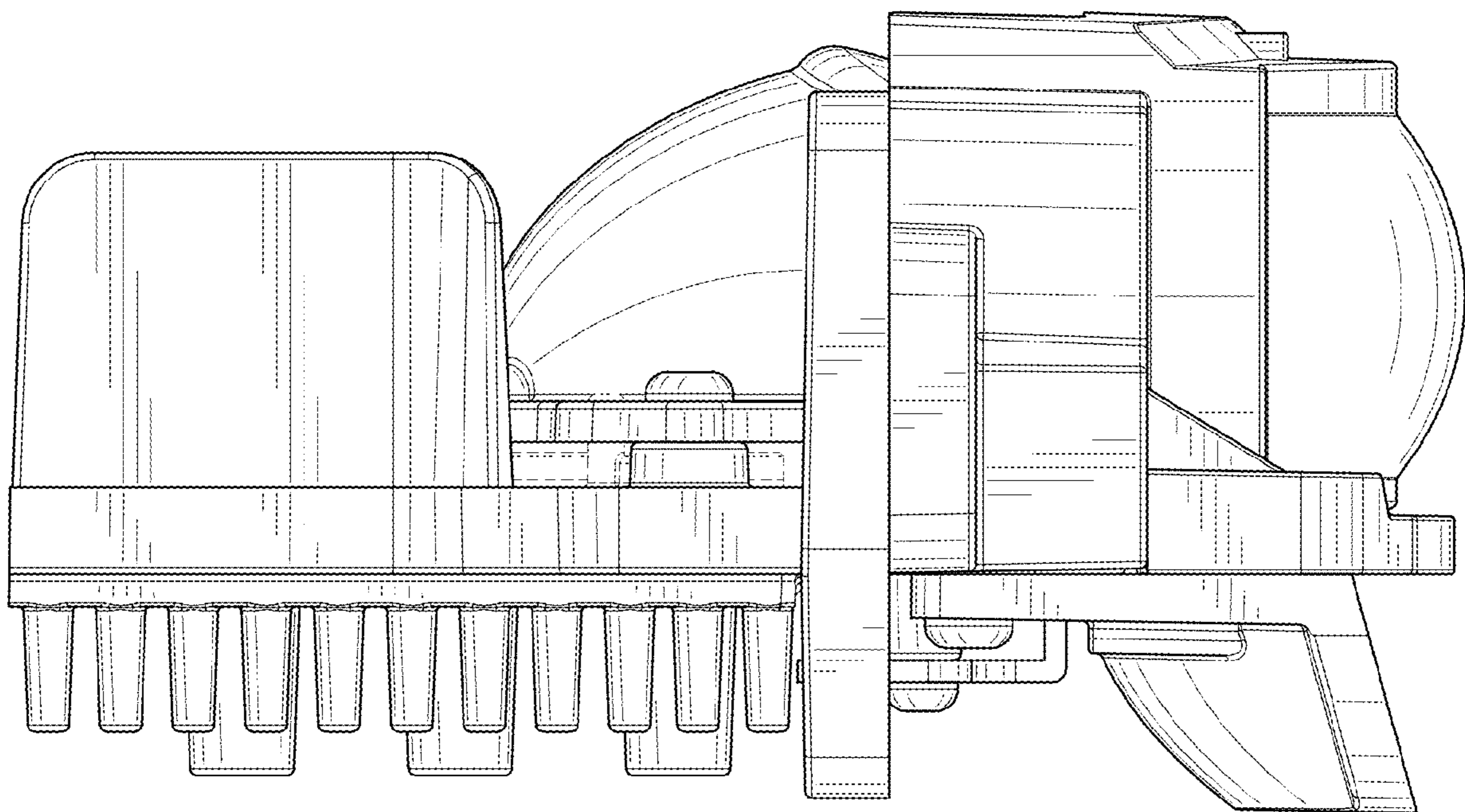


FIG. 4

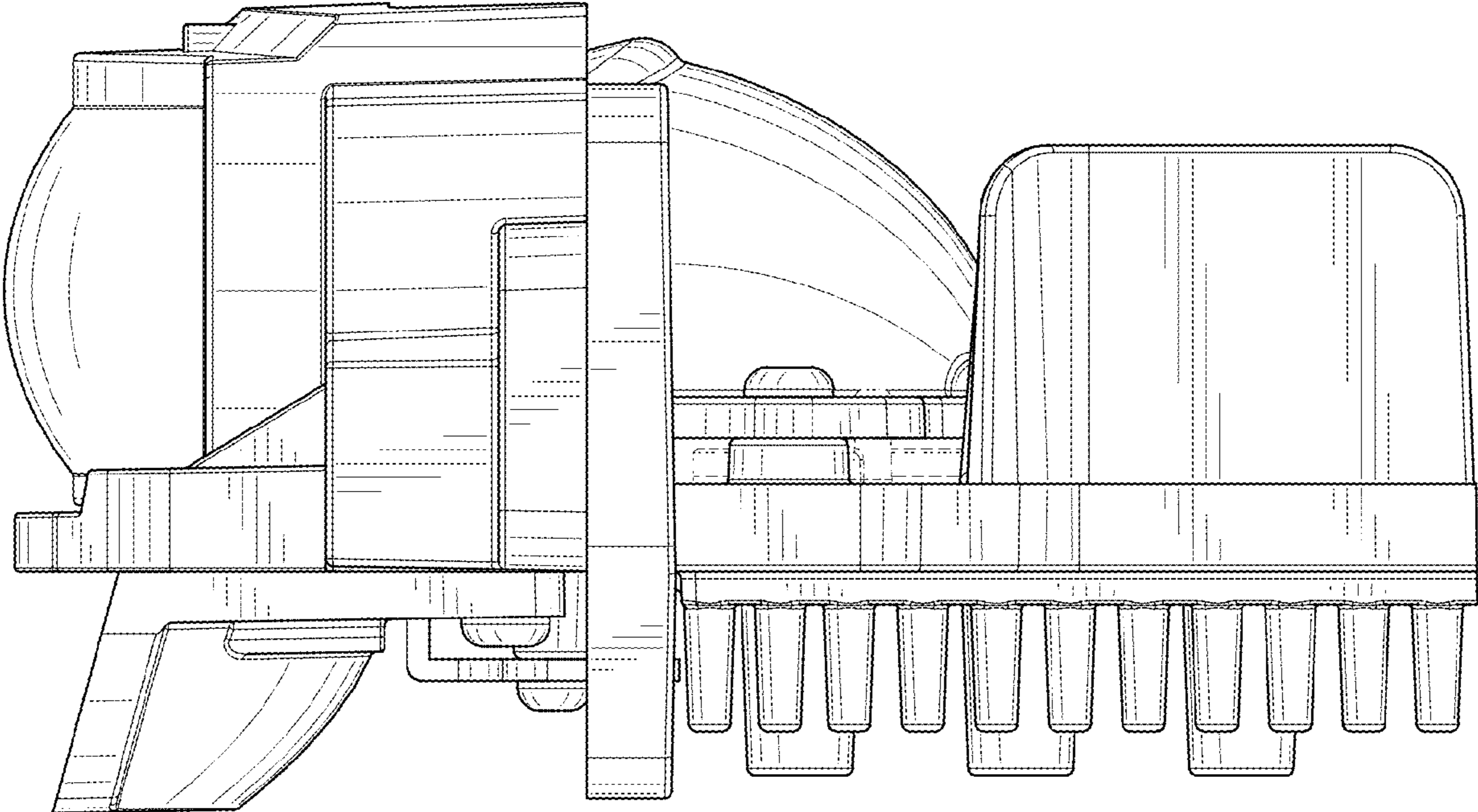


FIG. 5

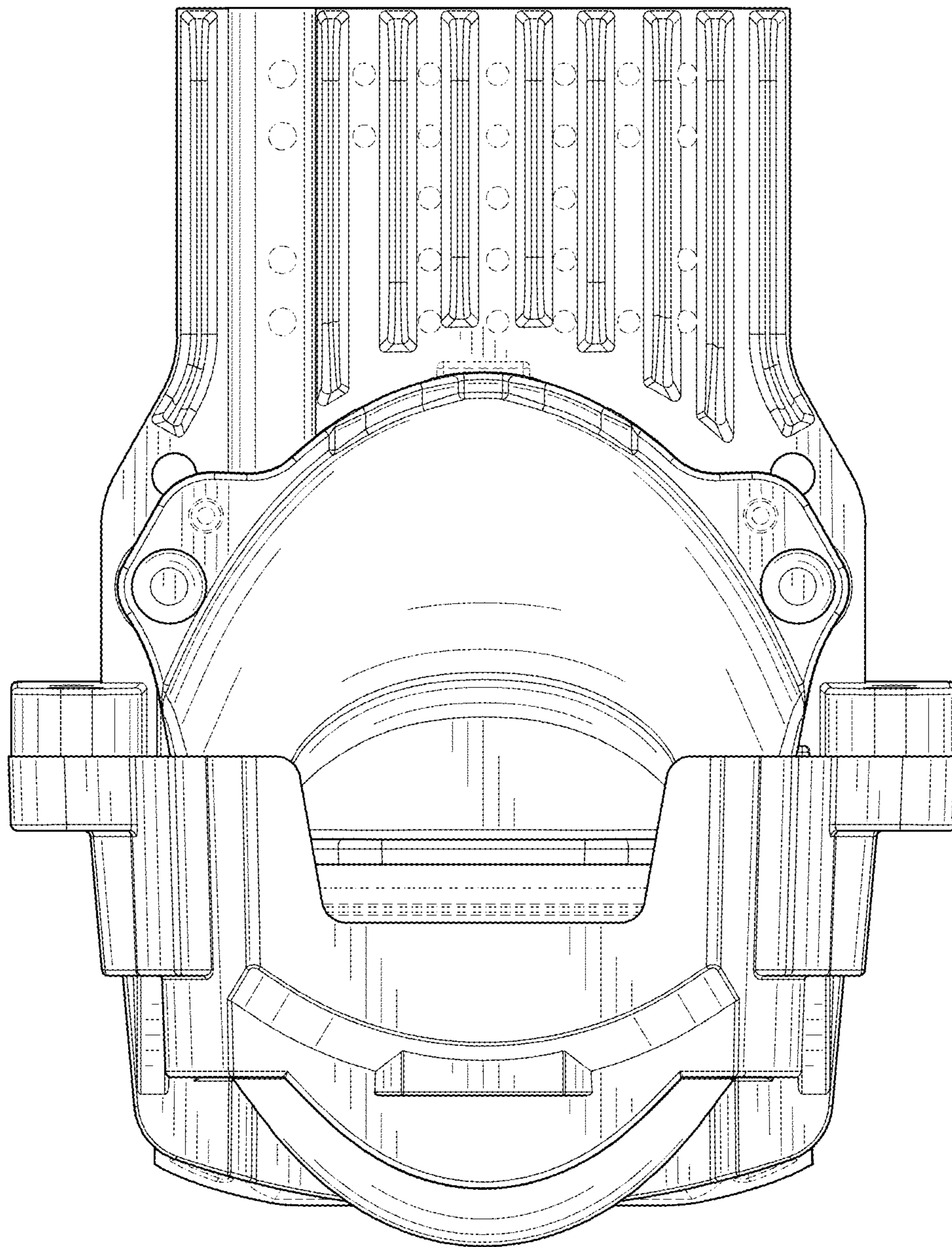


FIG. 6

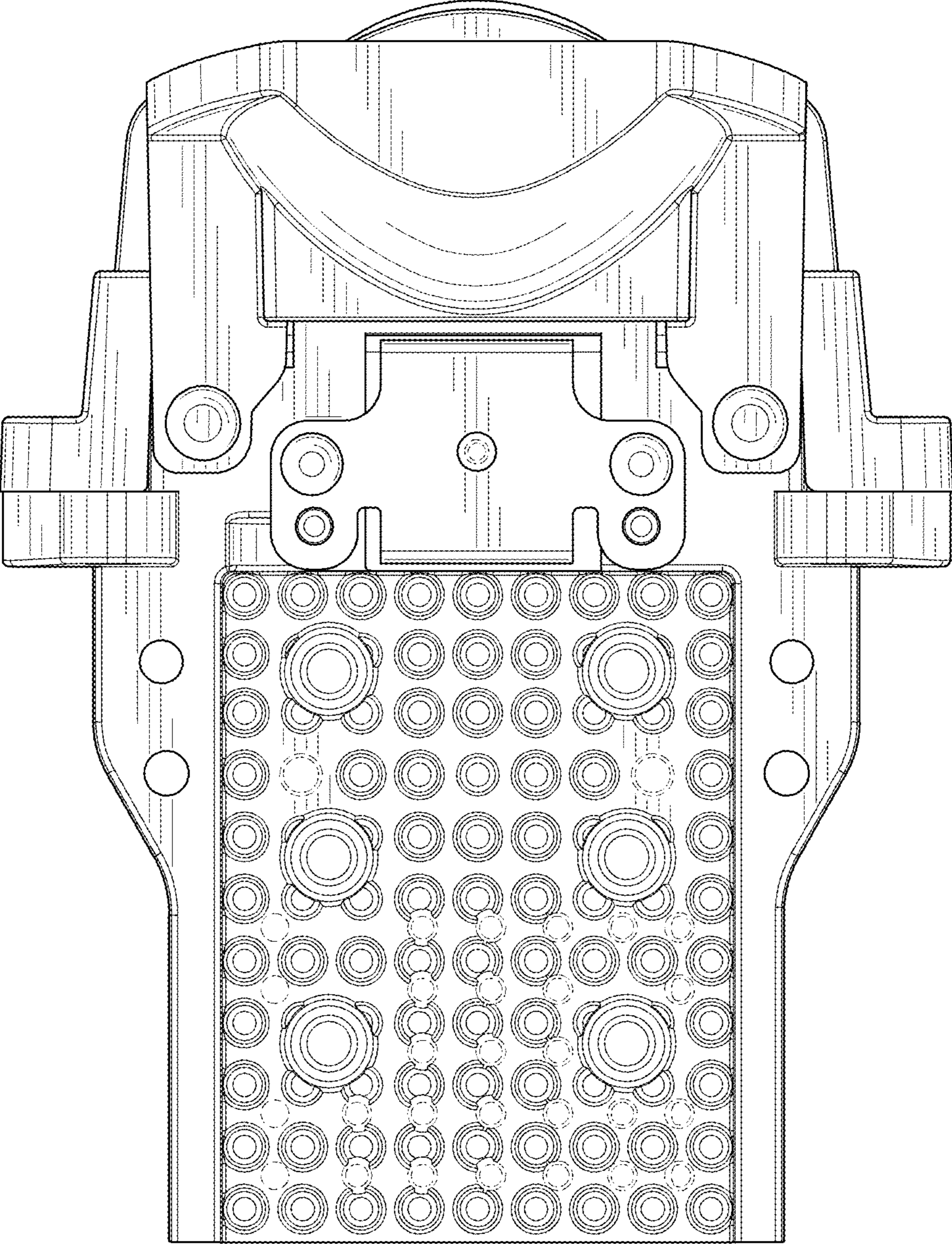


FIG. 7

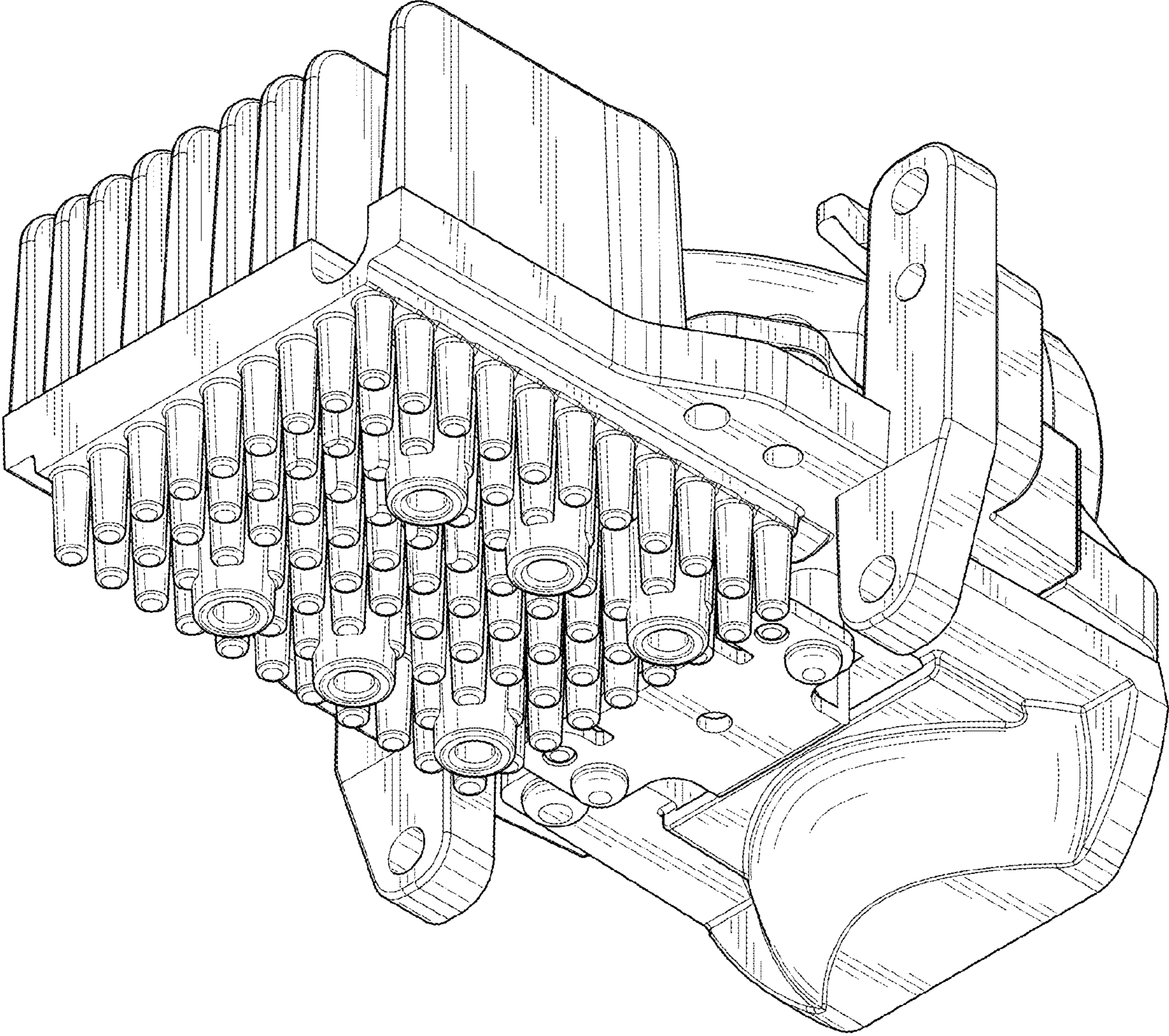


FIG. 8