



US00D971459S

(12) **United States Design Patent** (10) **Patent No.:** **US D971,459 S**
Zou (45) **Date of Patent:** **** Nov. 29, 2022**

(54) **HEADLIGHT**

OTHER PUBLICATIONS

(71) Applicant: **Xutao Zou**, Hunan Province (CN)
(72) Inventor: **Xutao Zou**, Hunan Province (CN)
(73) Assignee: **GUANGZHOU CHENGGUANG ELECTRONIC TECHNOLOGY CO., LTD.**, Guangzhou (CN)

“Round LED Pods Driving Lights Bar”, by Kassam, first available Nov. 9, 2019, published by Amazon, visited on Nov. 2021 via URL: <<https://www.amazon.com/Round-Driving-Lights-Amber-Light/dp/B07ZDDVF5K>> (Year: 2019).*

“Z-offroad LED Headlight Round Motorcycle Headlamp”, by Z-Of-froad, first available Jul. 17, 2018, published by Amazon, visited on Nov. 3, 2021 via URL: <<https://www.amazon.com/Z-OFFROAD-Headlight-Motorcycle-Sportster-Nightster/dp/B07FNHNYVM?th=1>> (Year: 2018).*

(**) Term: **15 Years**

“China Wholesale Circularly Usable Aes Bi Xenon Lens Headlight”, by Shenzen Saint Sunny Electronic Technology Co. Ltd, published by Alibaba, first visited on Nov. 3, 2021 via URL: <https://www.alibaba.com/product-detail/China-Wholesale-Circularly-usable-aes-bi_1600169452084.html>.*

(21) Appl. No.: **29/737,854**

(22) Filed: **Jun. 12, 2020**

* cited by examiner

(30) **Foreign Application Priority Data**

Primary Examiner — Leanne Was-Englehart

Mar. 6, 2020 (CN) 202030072568.0

(74) *Attorney, Agent, or Firm* — Jeenam Park

(51) **LOC (13) Cl.** **26-06**

(52) **U.S. Cl.**
USPC **D26/28**

(57) **CLAIM**

The ornamental design for a headlight, as shown and described.

(58) **Field of Classification Search**
USPC D26/28, 29, 30, 31, 32, 33, 34, 35, 36
CPC F21V 35/00; F21V 14/01; A47G 23/03;
F21S 41/00; F21F 8/00
See application file for complete search history.

DESCRIPTION

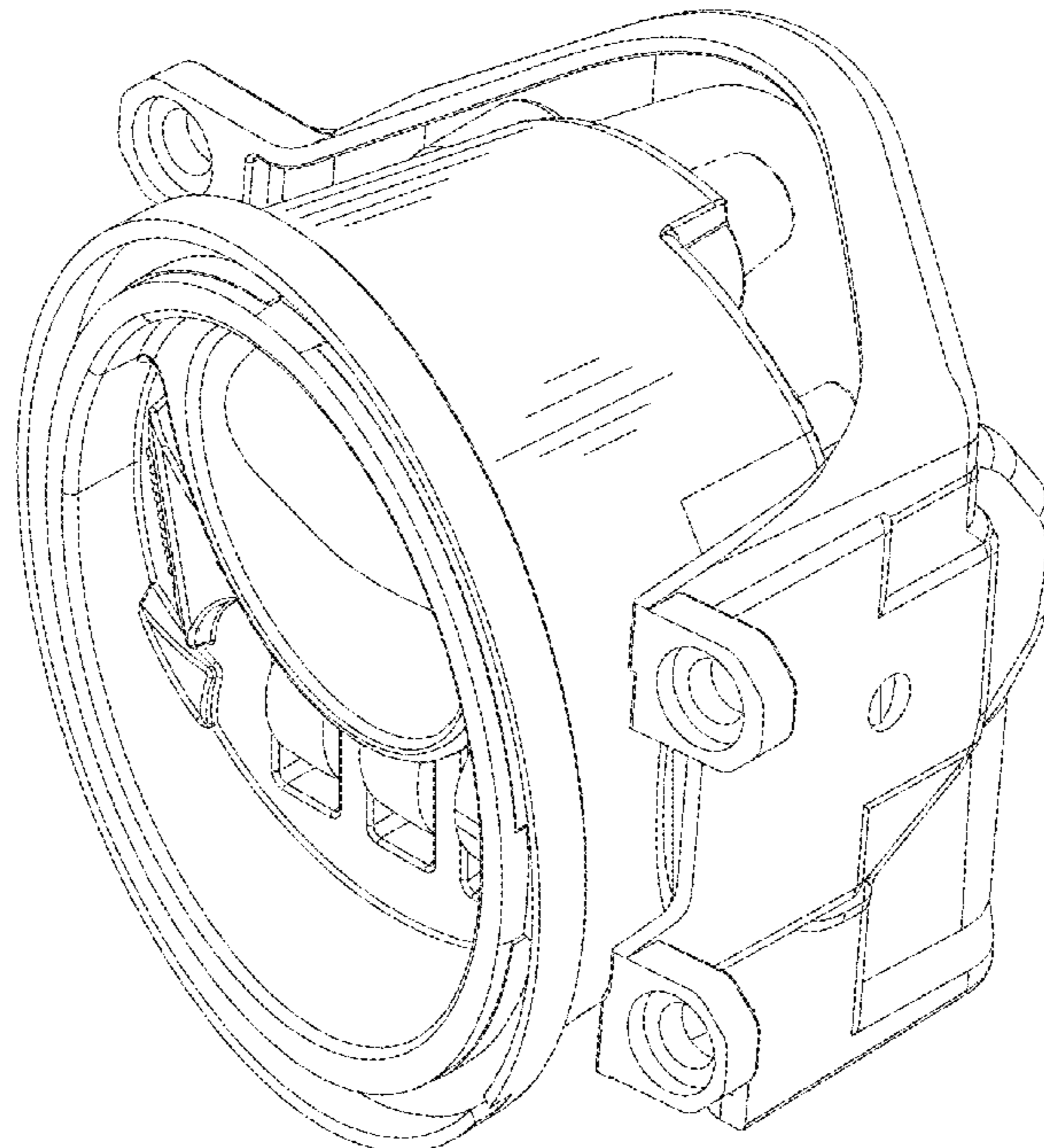
FIG. 1 is a perspective view of a headlight showing my new design;
FIG. 2 is a front elevational view thereof;
FIG. 3 is a top plan view thereof;
FIG. 4 is a left side elevational view thereof;
FIG. 5 is a rear elevational view thereof;
FIG. 6 is a right side view thereof; and,
FIG. 7 is a bottom plan view thereof.
The broken lines in the drawings illustrate portions of the headlight, that form no part of the claimed design.

(56) **References Cited**

U.S. PATENT DOCUMENTS

D849,293 S	*	5/2019	Ko	D26/36
D883,541 S	*	5/2020	Johnson	D26/36
D898,240 S	*	10/2020	Sahara	D26/28
D905,878 S	*	12/2020	Finocchiaro	D26/28
D912,288 S	*	3/2021	Yang	D26/29
D926,342 S	*	7/2021	Birtulescu	D26/36

1 Claim, 7 Drawing Sheets



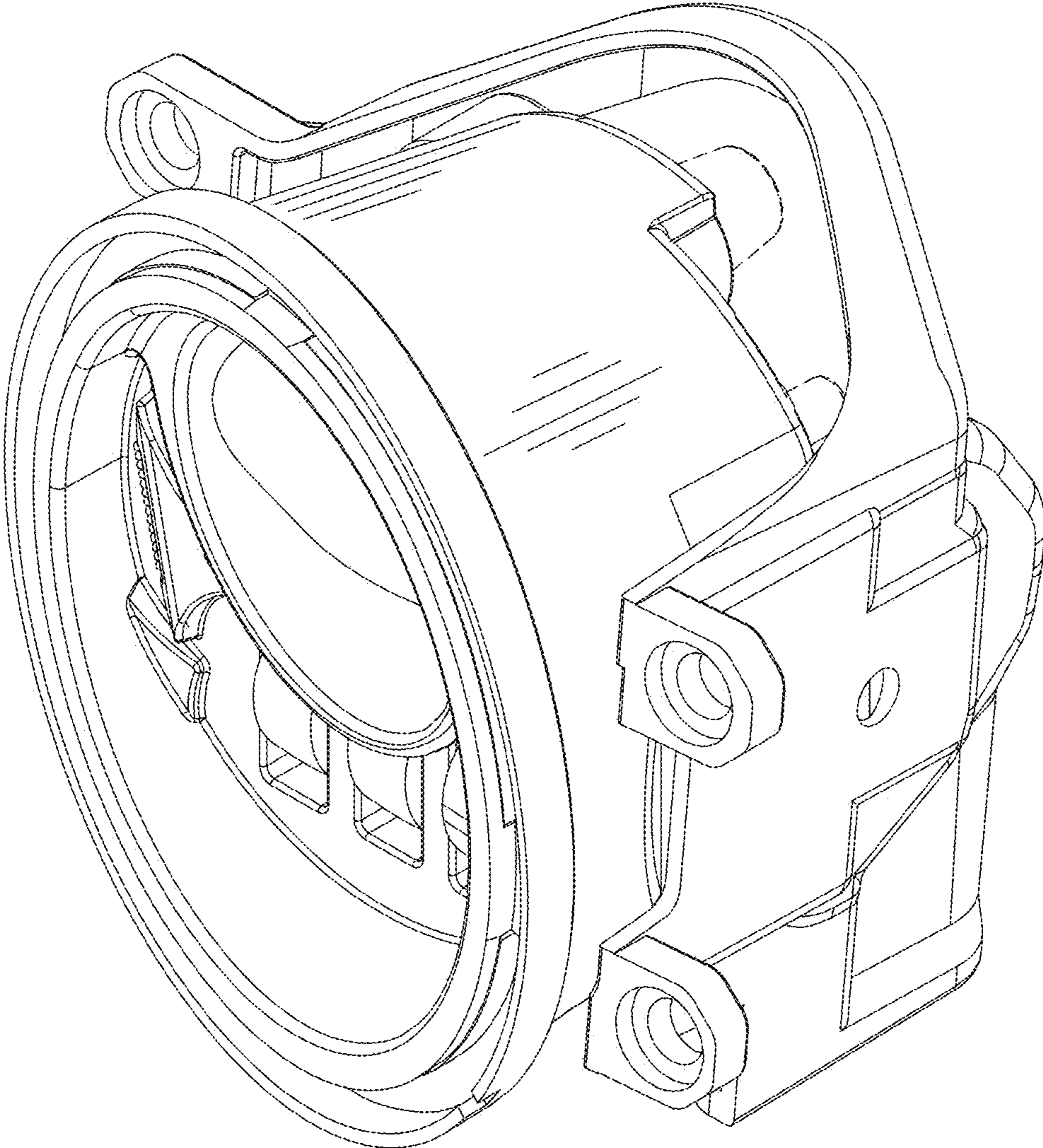


FIG. 1

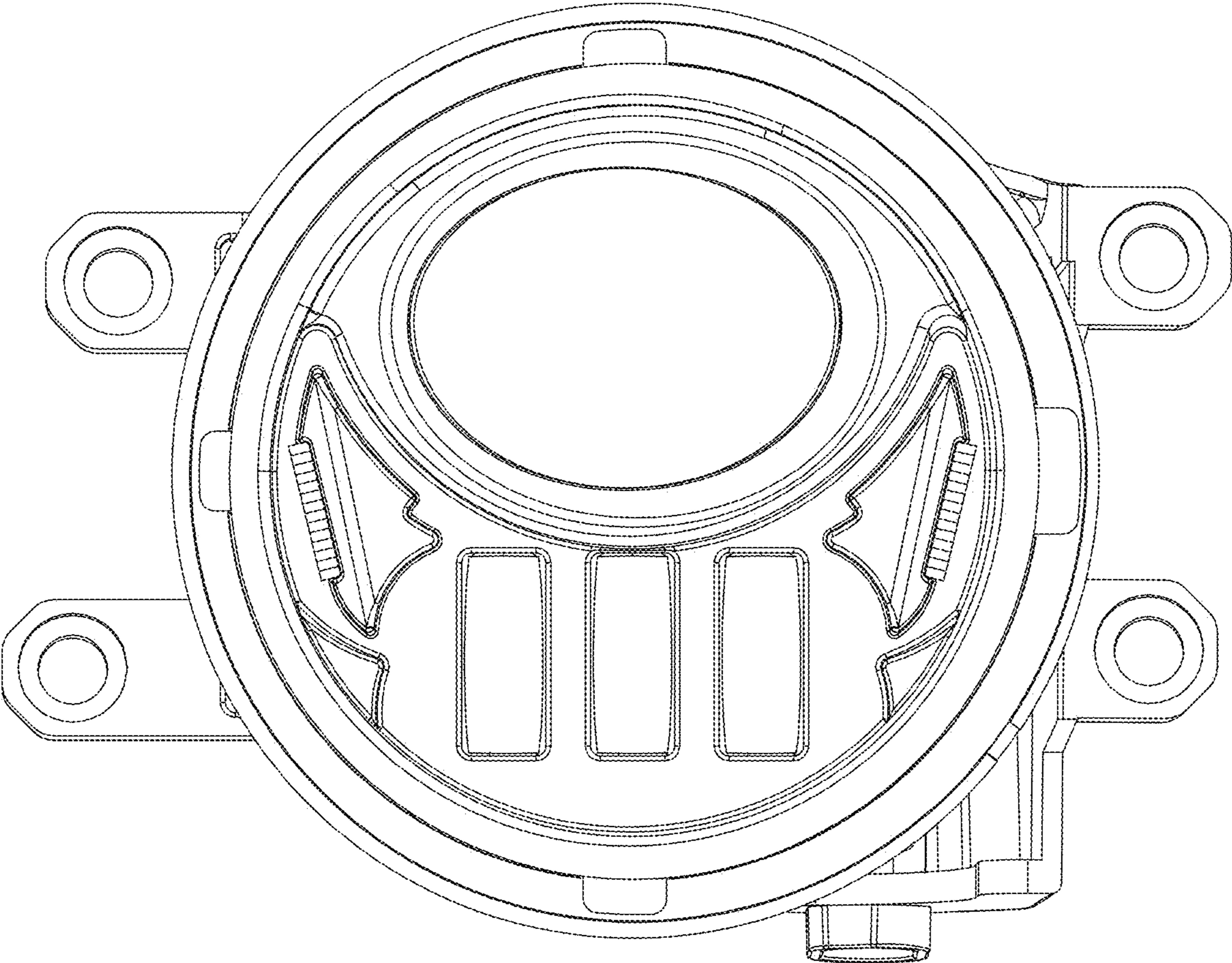


FIG. 2

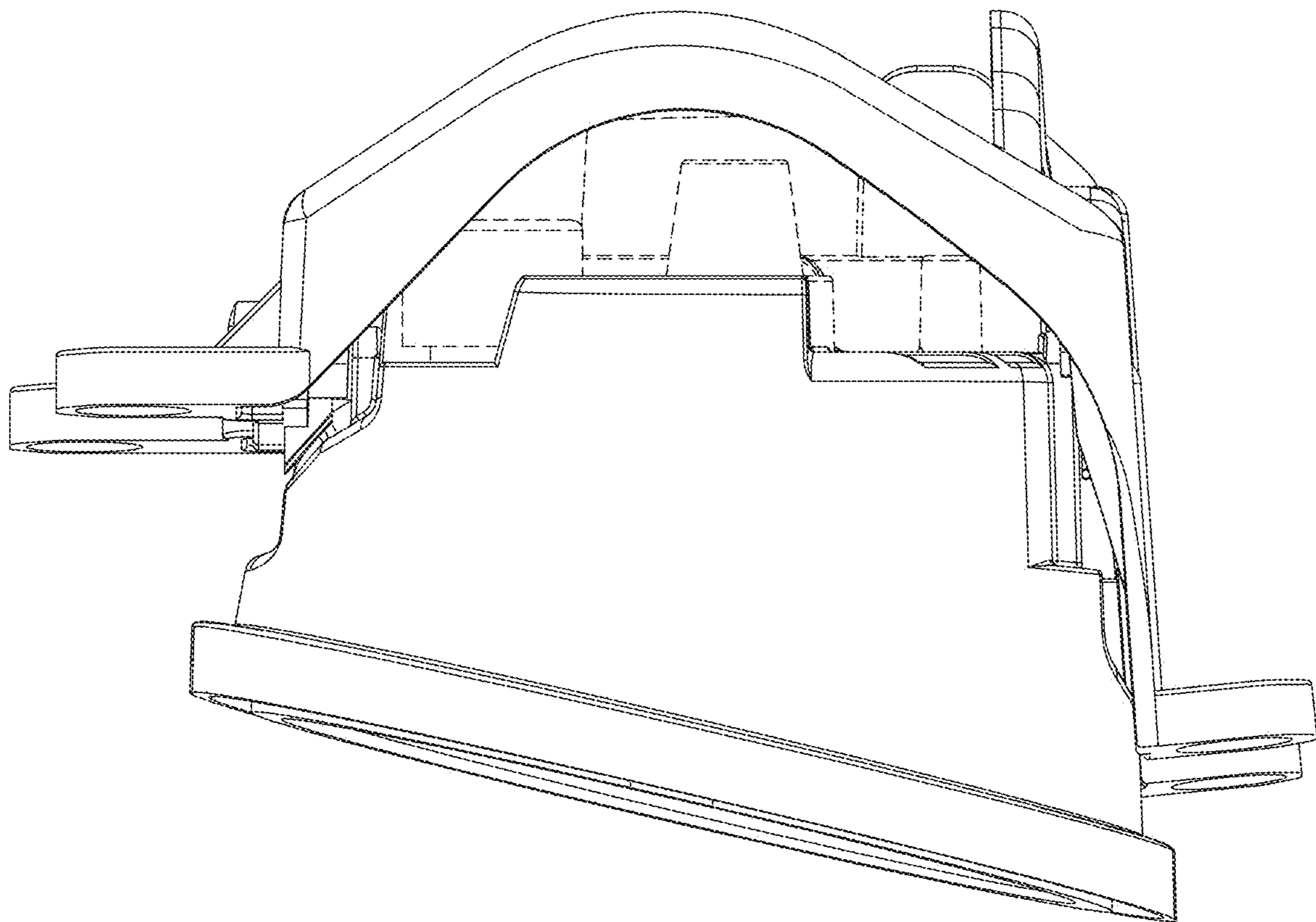


FIG. 3

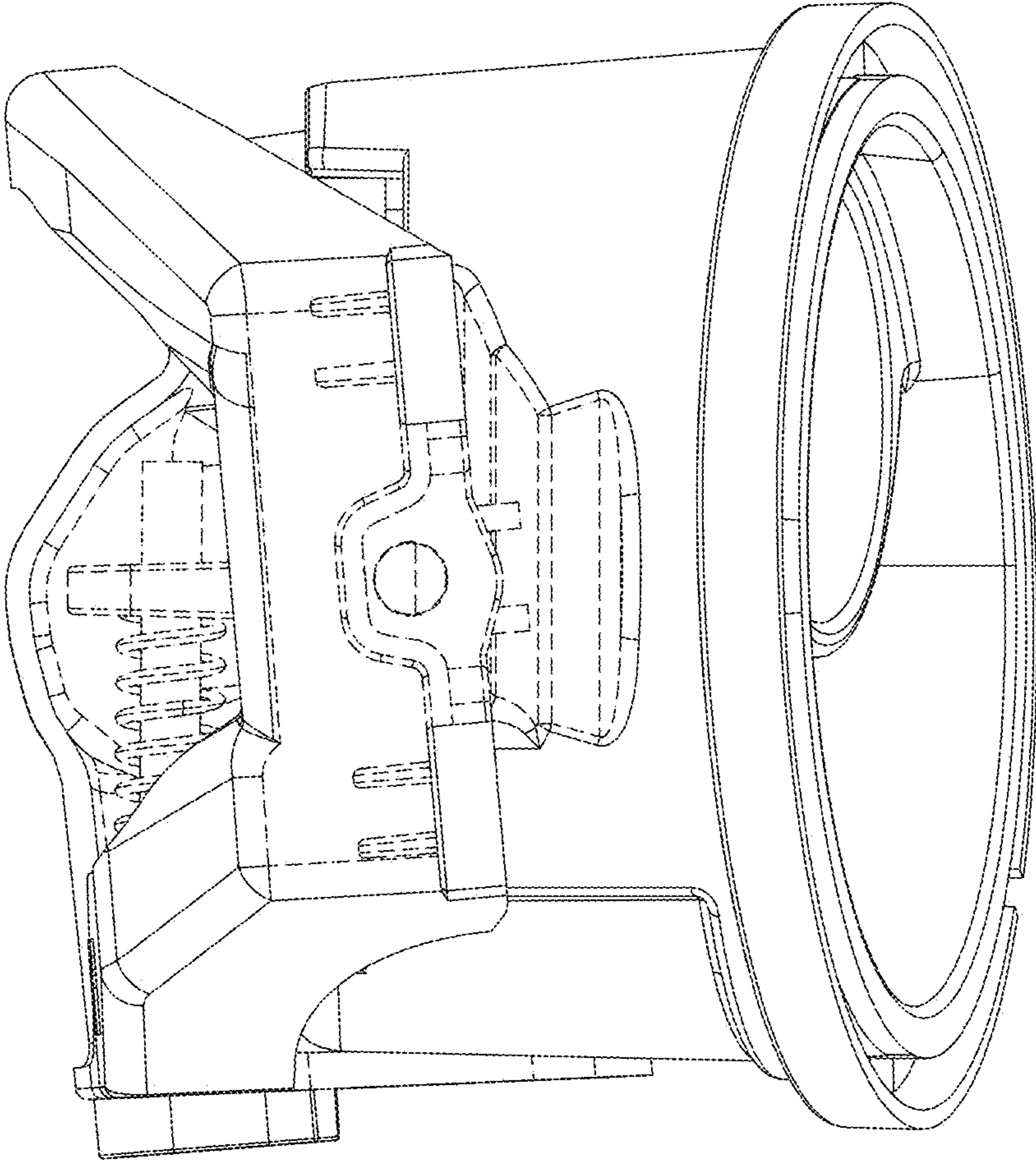


FIG. 4

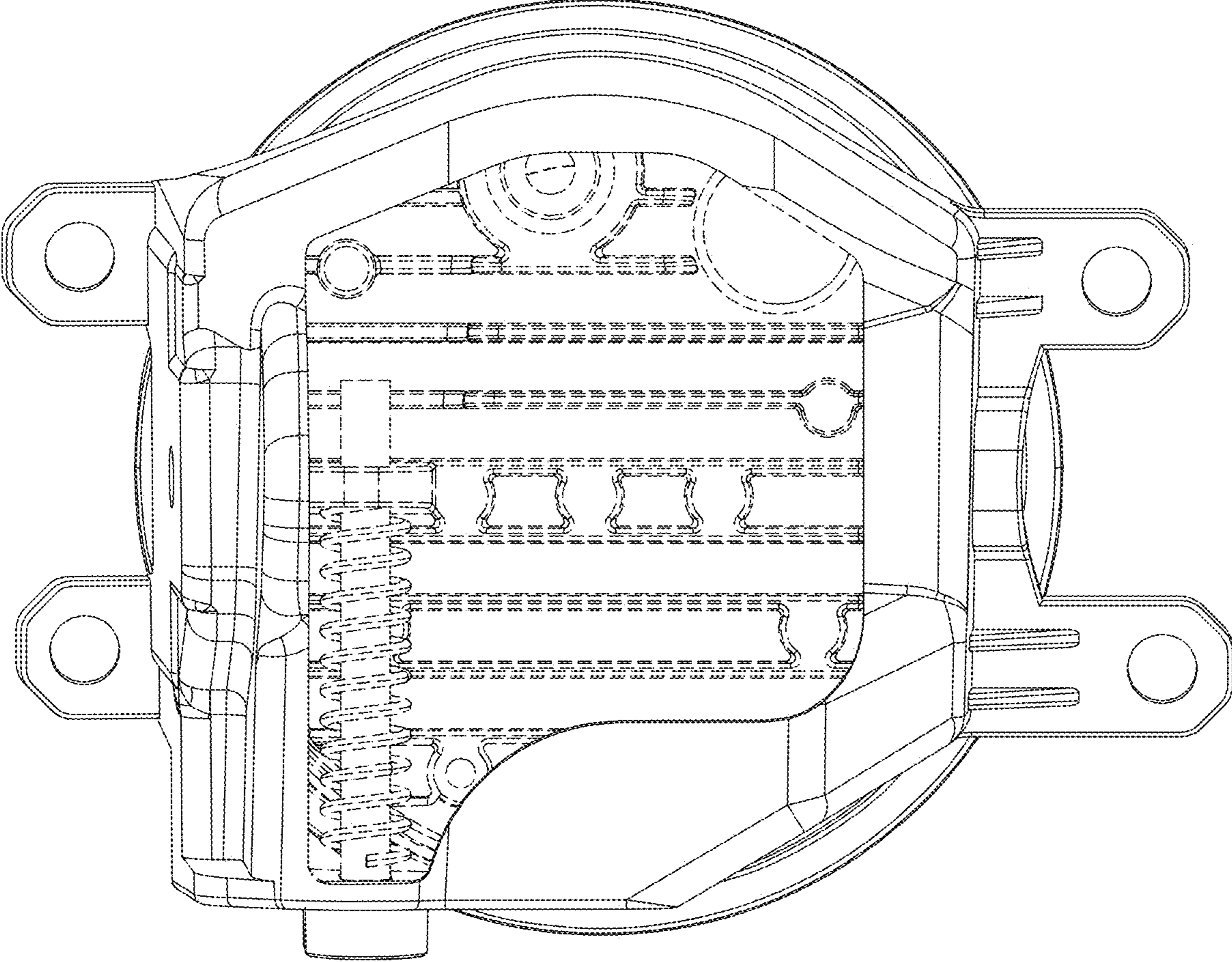


FIG. 5

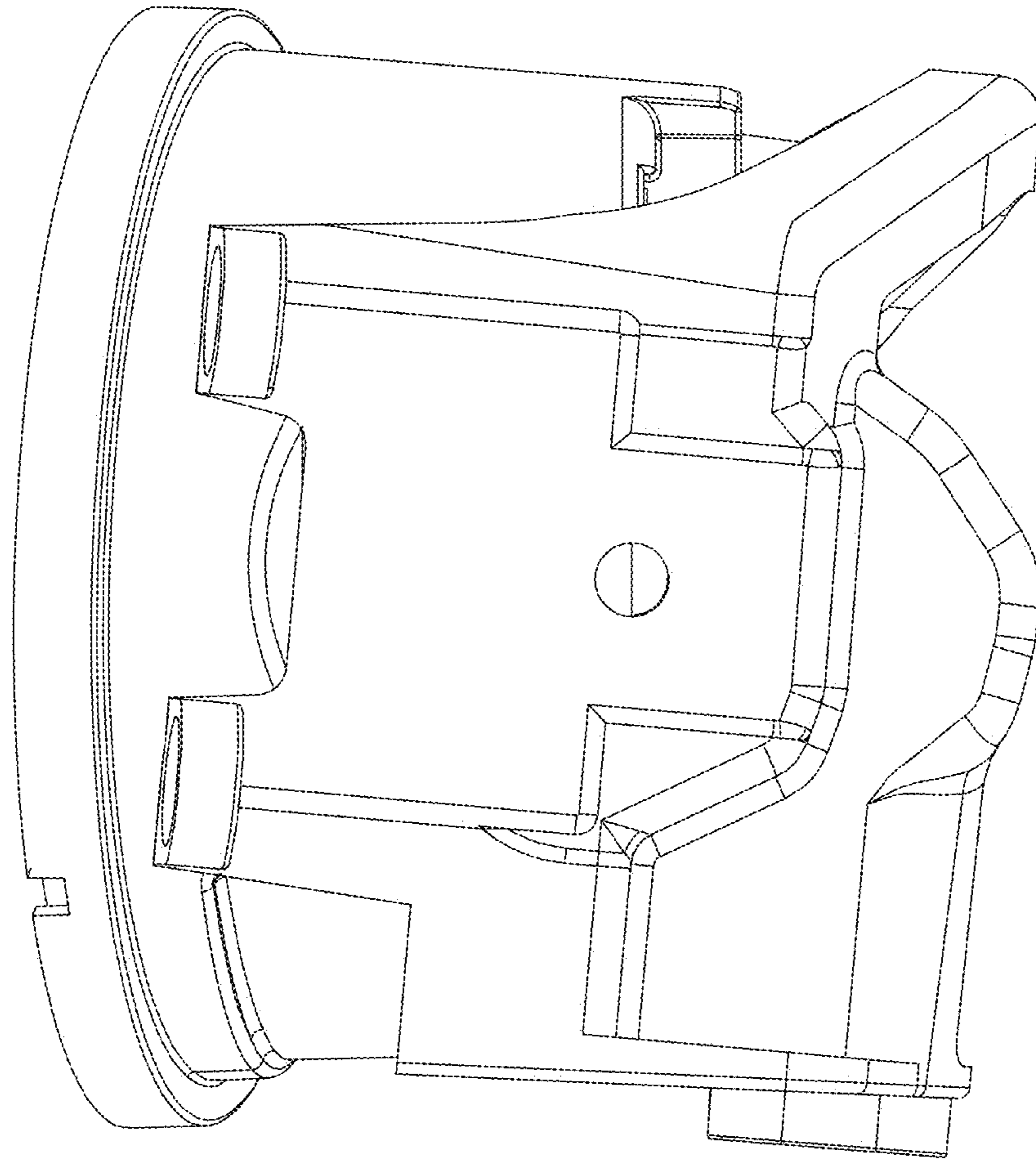


FIG. 6

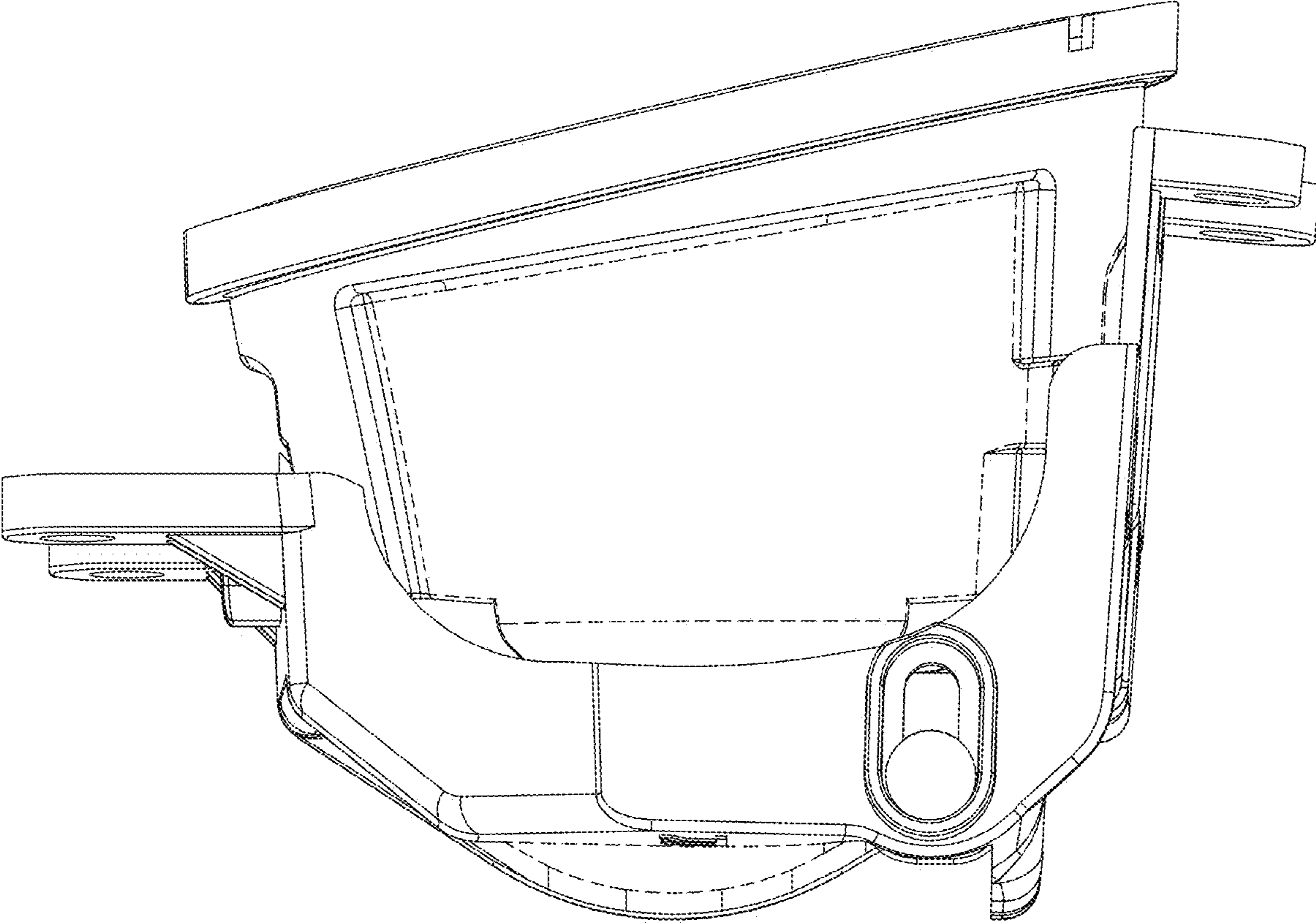


FIG. 7