



US00D971458S

(12) **United States Design Patent**
Dai

(10) **Patent No.:** **US D971,458 S**

(45) **Date of Patent:** **** Nov. 29, 2022**

(54) **LED LIGHT**

(71) Applicant: **Huaqin Dai**, Linhai (CN)

(72) Inventor: **Huaqin Dai**, Linhai (CN)

(**) Term: **15 Years**

(21) Appl. No.: **29/801,223**

(22) Filed: **Jul. 28, 2021**

(51) **LOC (13) Cl.** **26-04**

(52) **U.S. Cl.**
USPC **D26/25**

(58) **Field of Classification Search**

USPC D11/118, 124–129, 576, 629; D26/1, 24,
D26/25, 27, 40–44, 90, 113
CPC F21S 8/00; F21S 8/026; F21S 8/038; F21S
8/06; F21S 8/061; F21S 8/063; F21S
8/065; F21S 8/068; F21S 4/00; F21S
4/10; F21S 4/15; F21S 4/20; F21S 4/22;
F21S 4/24; F21S 4/26; F21S 4/28
See application file for complete search history.

(56) **References Cited**

U.S. PATENT DOCUMENTS

6,027,228	A *	2/2000	Adams	F21V 21/0824 362/249.11
6,652,927	B1 *	11/2003	Chen	F21S 4/10 428/9
D498,171	S	11/2004	Webster		
D691,295	S *	10/2013	Chappey	D26/25
D778,468	S	2/2017	van der Lande		
D833,280	S *	11/2018	Katopis	D9/451
D888,293	S *	6/2020	Xie	D26/1
D899,965	S *	10/2020	Zhou	D26/25
D905,592	S *	12/2020	York	D11/121
D910,889	S *	2/2021	Zhou	D26/25
D914,927	S *	3/2021	Liu	D26/25
D917,084	S *	4/2021	Zhou	D26/25
D925,077	S *	7/2021	Yang	D26/25

(Continued)

OTHER PUBLICATIONS

GEEFUUN, Amazon, LED Christmas Snowflake String Lights, <https://www.amazon.com/Christmas-Snowflake-String-Hanging-Decorations/dp/B08CZKQVK>, retrieved Aug. 23, 2022 (Year: 2022).*

Primary Examiner — Richard Kearney
Assistant Examiner — Benjamin M Weeks

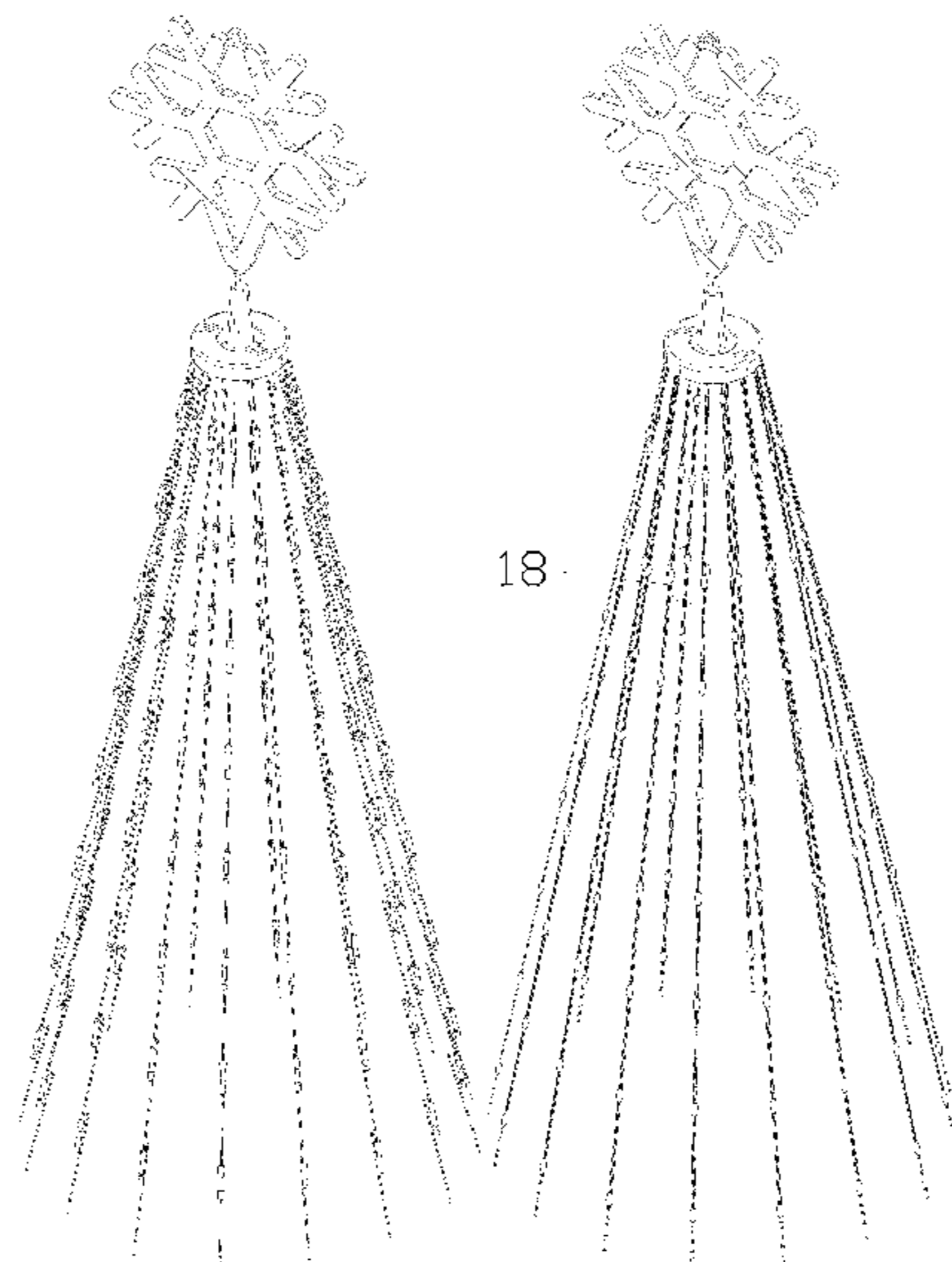
(57) **CLAIM**

The ornamental design for an LED light, as shown and described.

DESCRIPTION

FIG. 1 is a perspective view of a first embodiment of an LED light showing my new design;
FIG. 2 is another perspective view thereof;
FIG. 3 is a front elevational view thereof;
FIG. 4 is a rear elevational view thereof;
FIG. 5 is a left side elevational view thereof;
FIG. 6 is a right side elevational view thereof;
FIG. 7 is a top plan view thereof;
FIG. 8 is a bottom plan view thereof;
FIG. 9 is an enlarged view of portion 9 shown in FIG. 2;
FIG. 10 is a perspective view of a second embodiment of the LED light;
FIG. 11 is another perspective view thereof;
FIG. 12 is a front elevational view thereof;
FIG. 13 is a rear elevational view thereof;
FIG. 14 is a left side elevational view thereof;
FIG. 15 is a right side elevational view thereof;
FIG. 16 is a top plan view thereof;
FIG. 17 is a bottom plan view thereof; and,
FIG. 18 is an enlarged view of portion 18 shown in FIG. 10. The dash-dash broken lines in the drawings depict portions of the LED light that form no part of the claimed design. The dot-dash broken lines in the drawings depict boundaries of the enlarged portions and form no part of the claimed design.

1 Claim, 18 Drawing Sheets



(56)

References Cited

U.S. PATENT DOCUMENTS

D935,648 S * 11/2021 Shi D26/25
D938,627 S * 12/2021 Li D26/25
D957,696 S * 7/2022 Yu D11/121
D960,403 S * 8/2022 Wei D26/25
D962,494 S * 8/2022 Zheng D26/1
D962,496 S * 8/2022 Yu D11/121
D962,497 S * 8/2022 Yu D11/121
2022/0146064 A1* 5/2022 Reich F21V 23/04

* cited by examiner

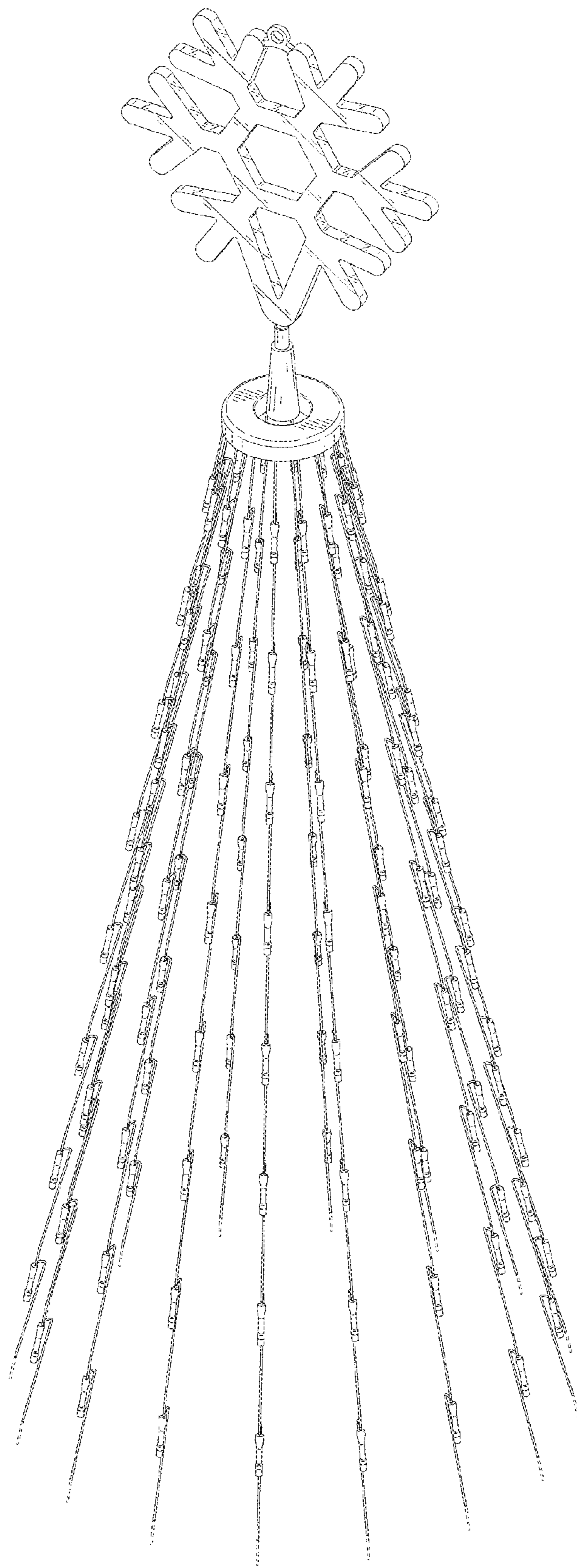


FIG. 1

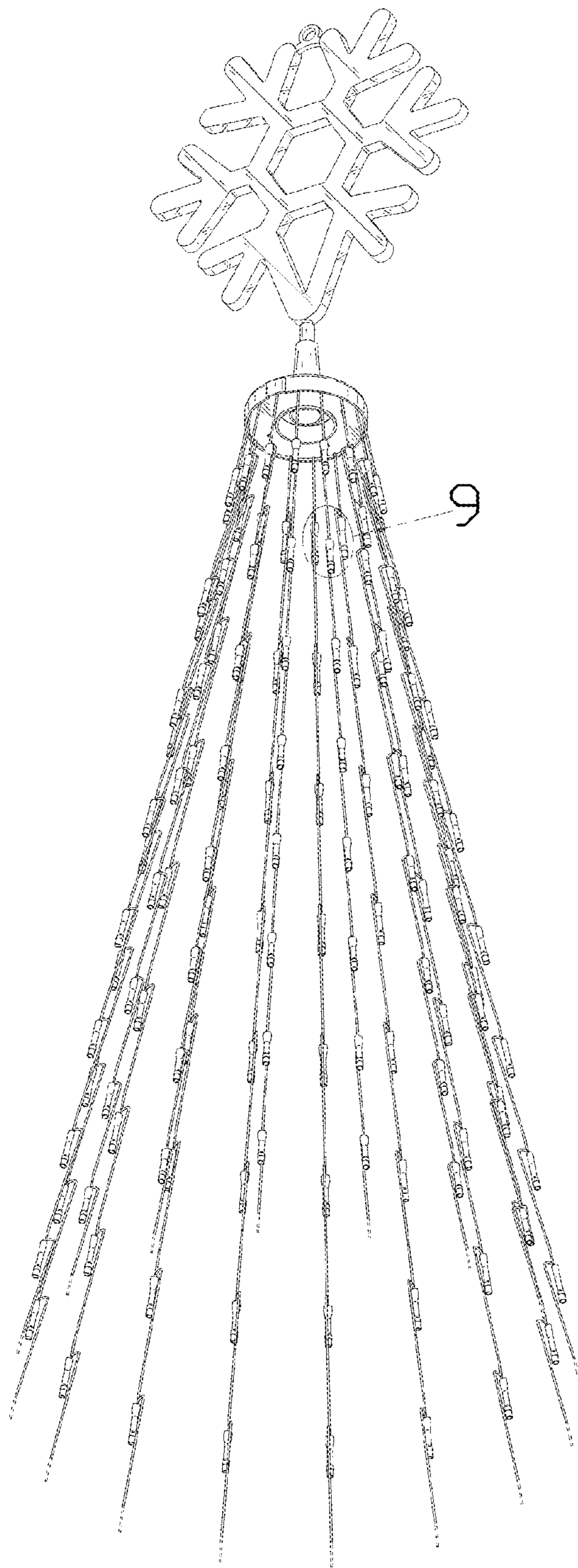


FIG. 2

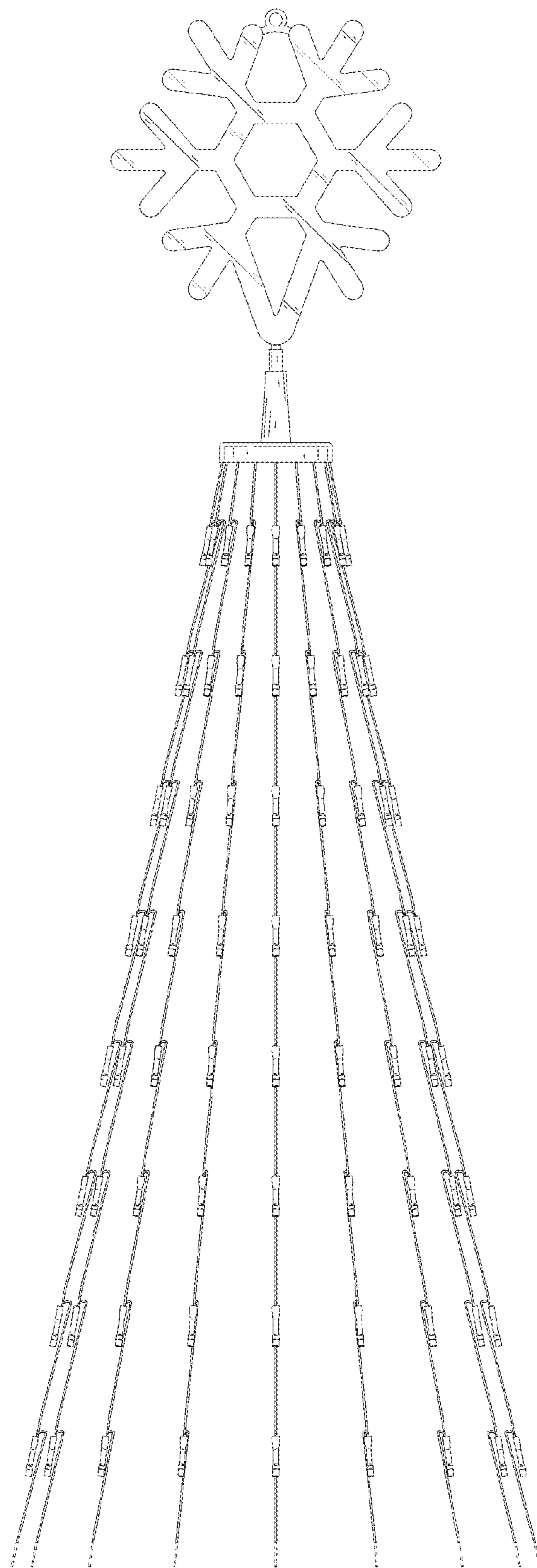


FIG. 3

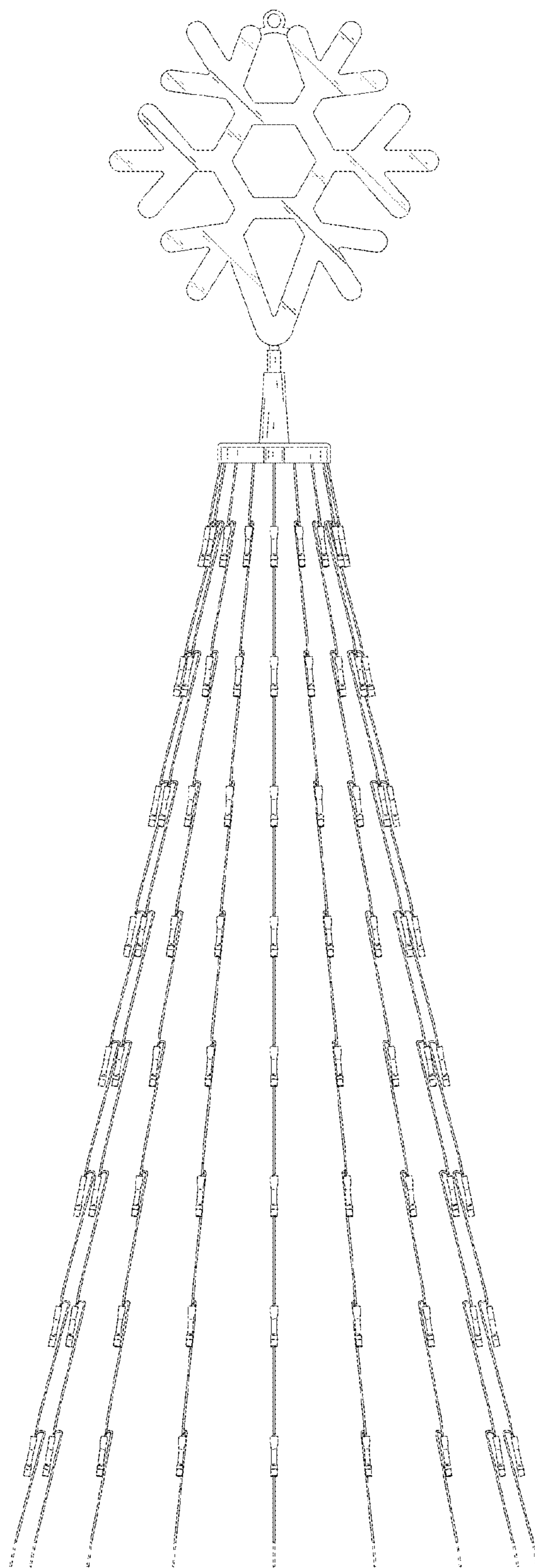


FIG. 4

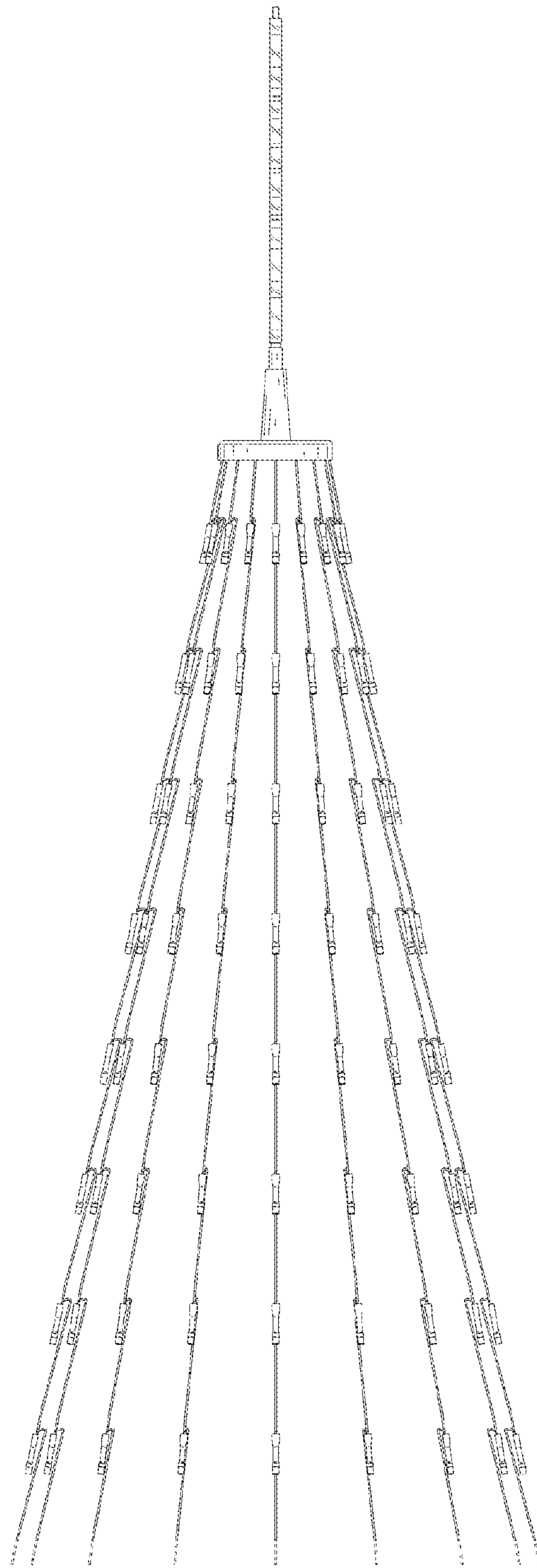


FIG. 5

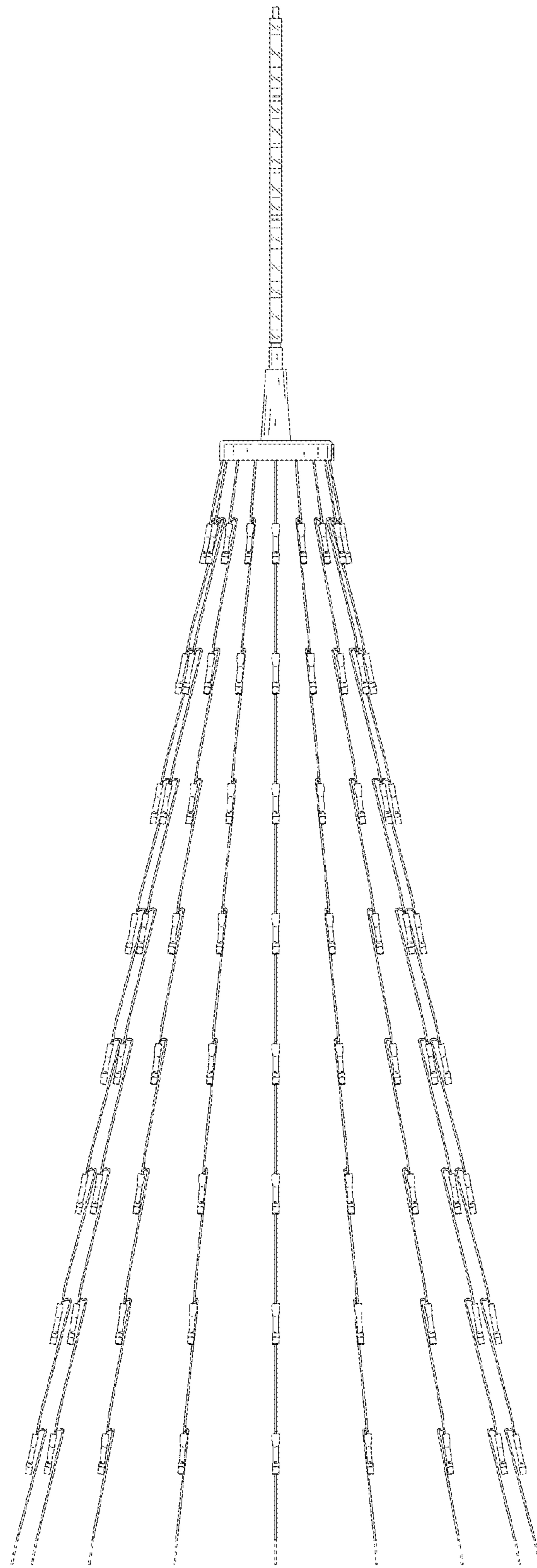


FIG. 6

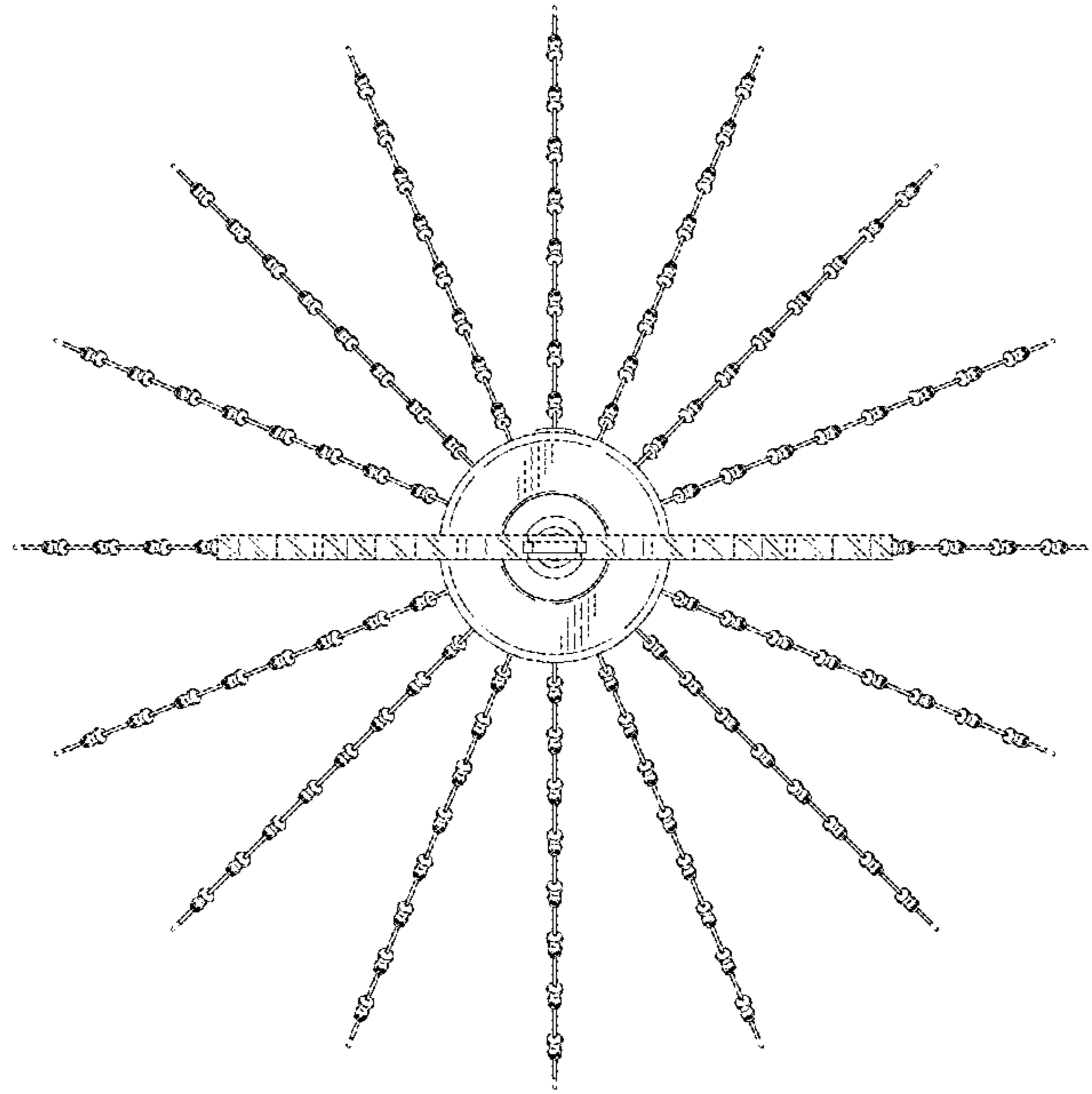


FIG. 7

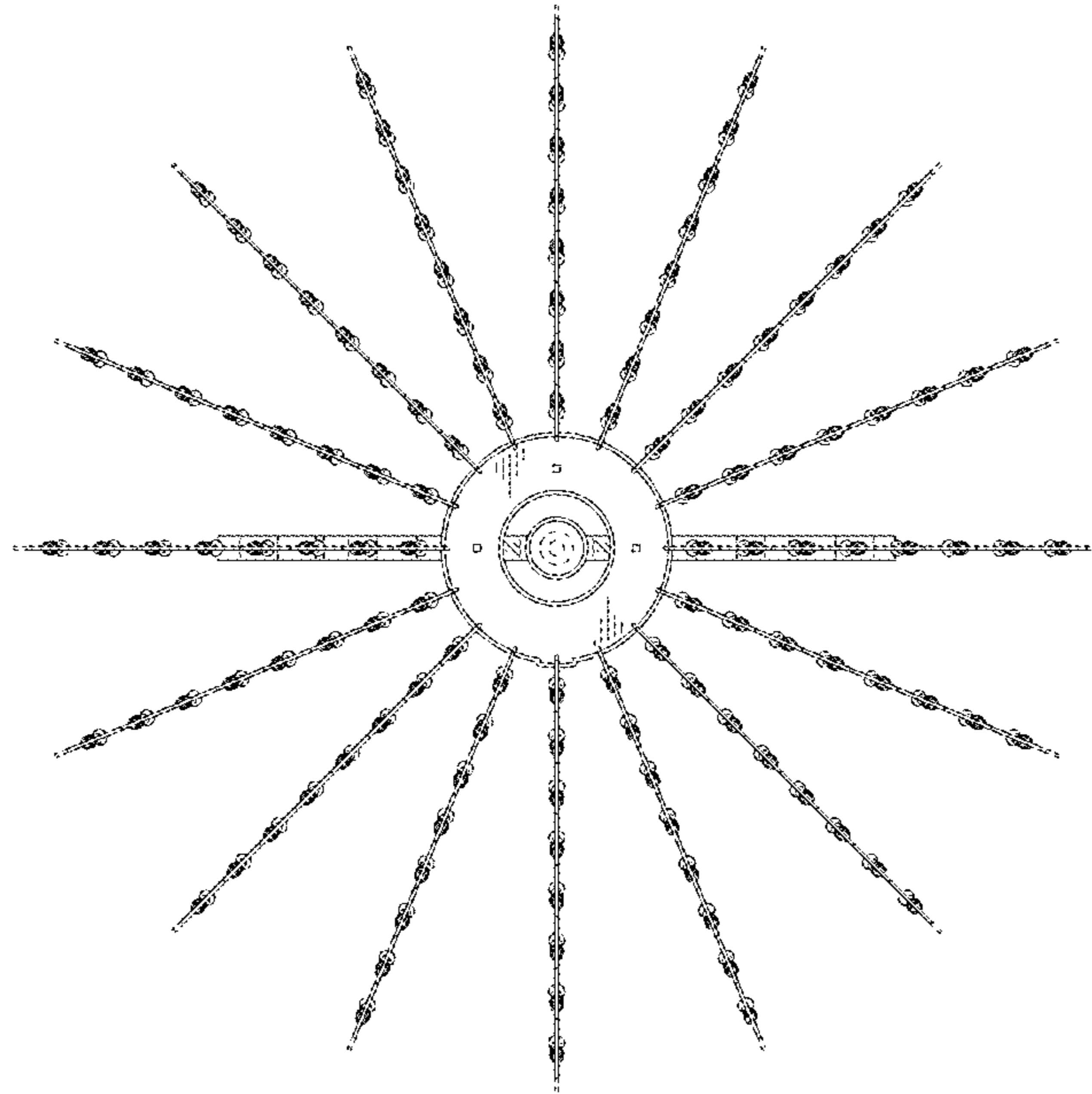


FIG. 8

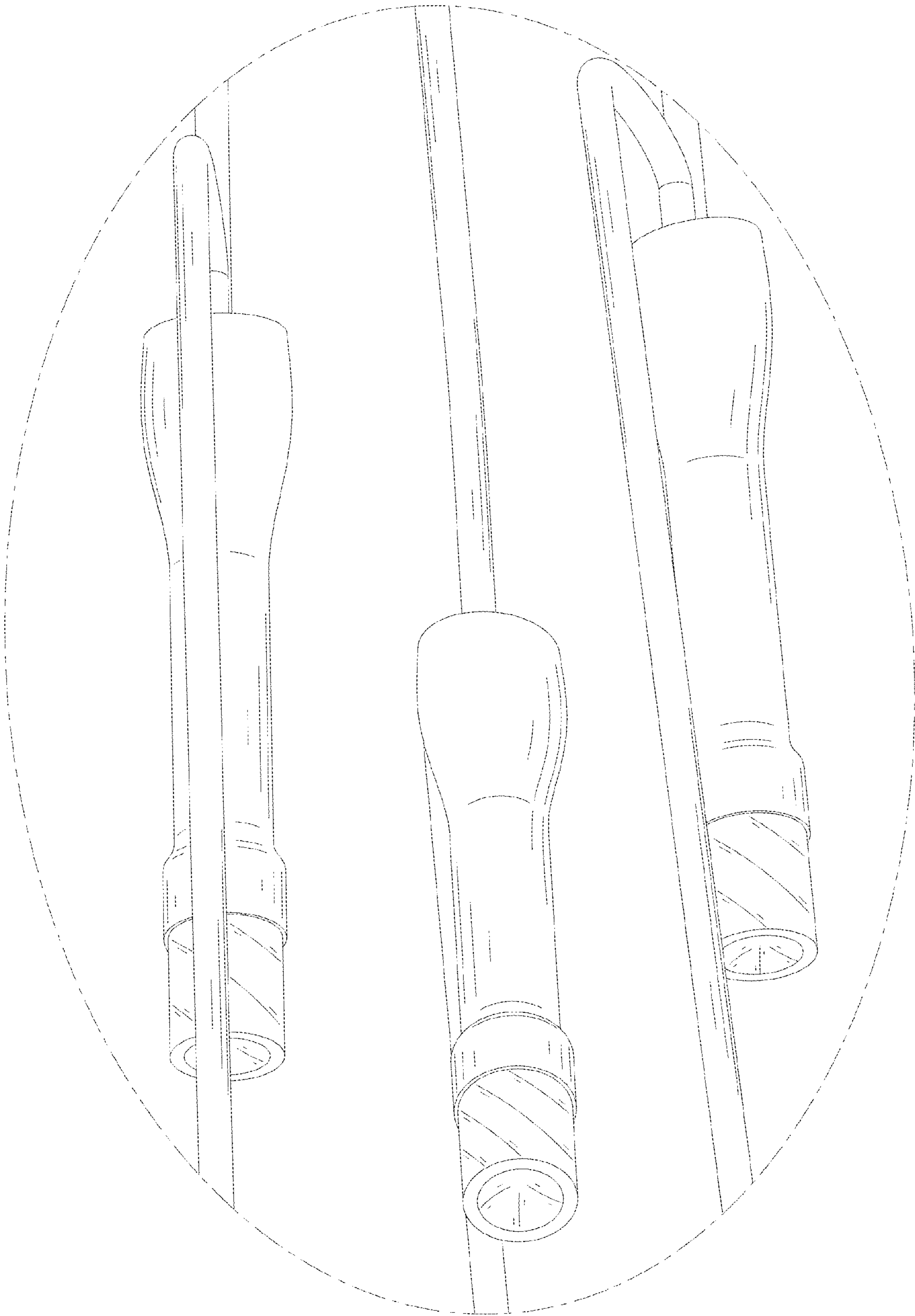


FIG. 9

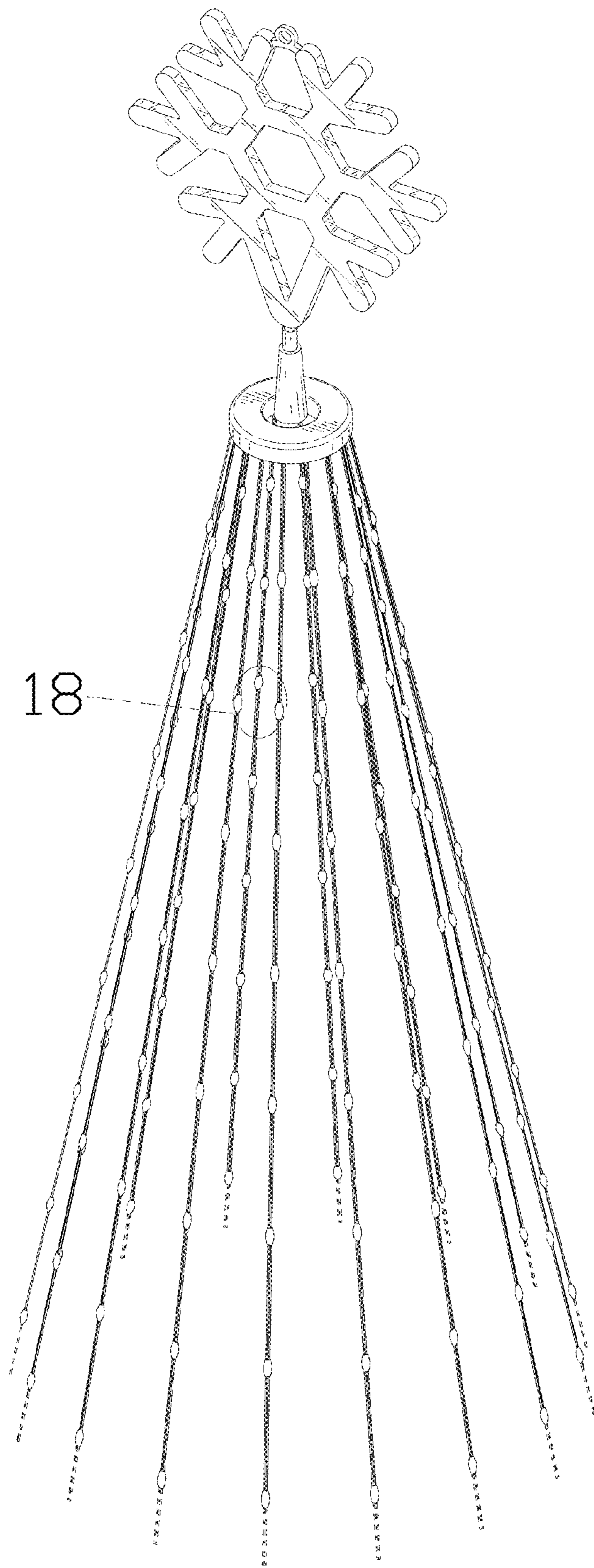


FIG. 10

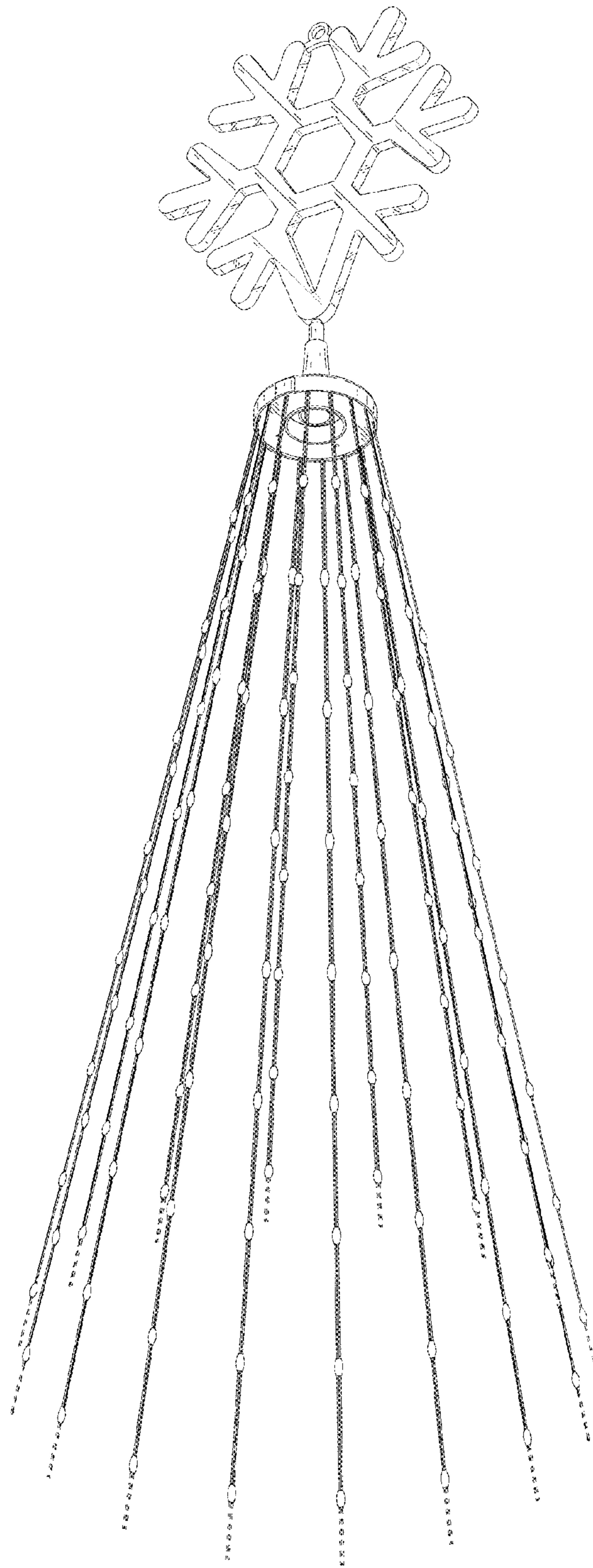


FIG. 11

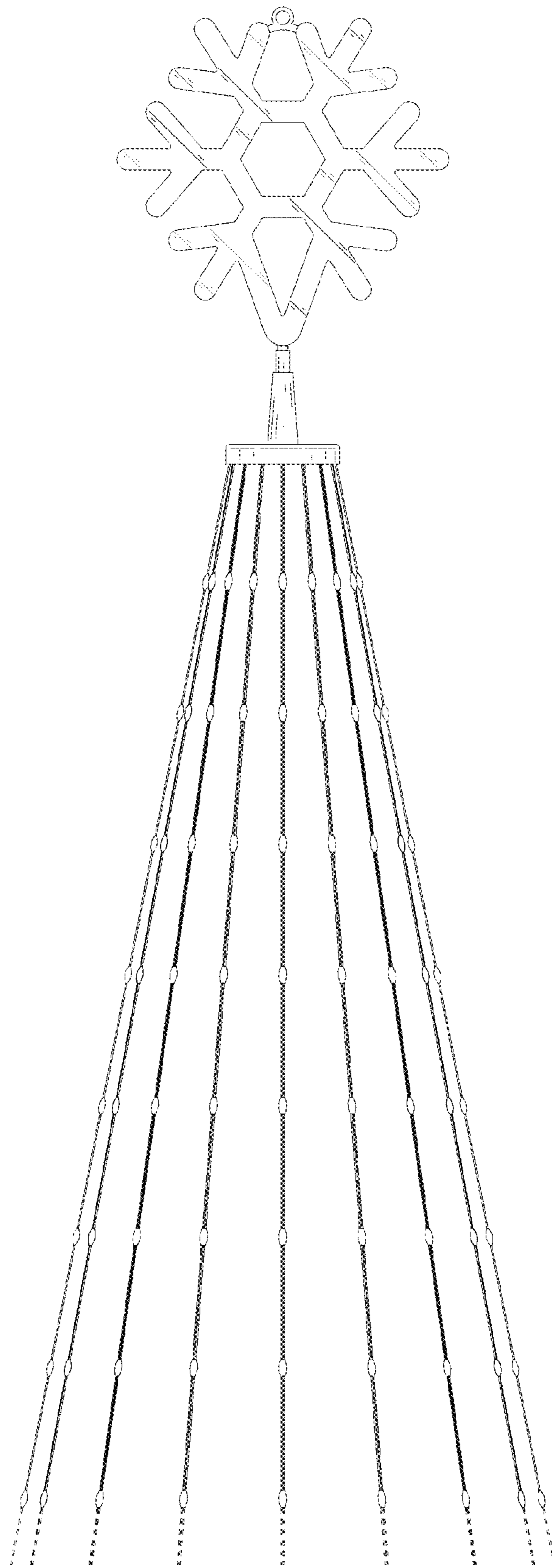


FIG. 12

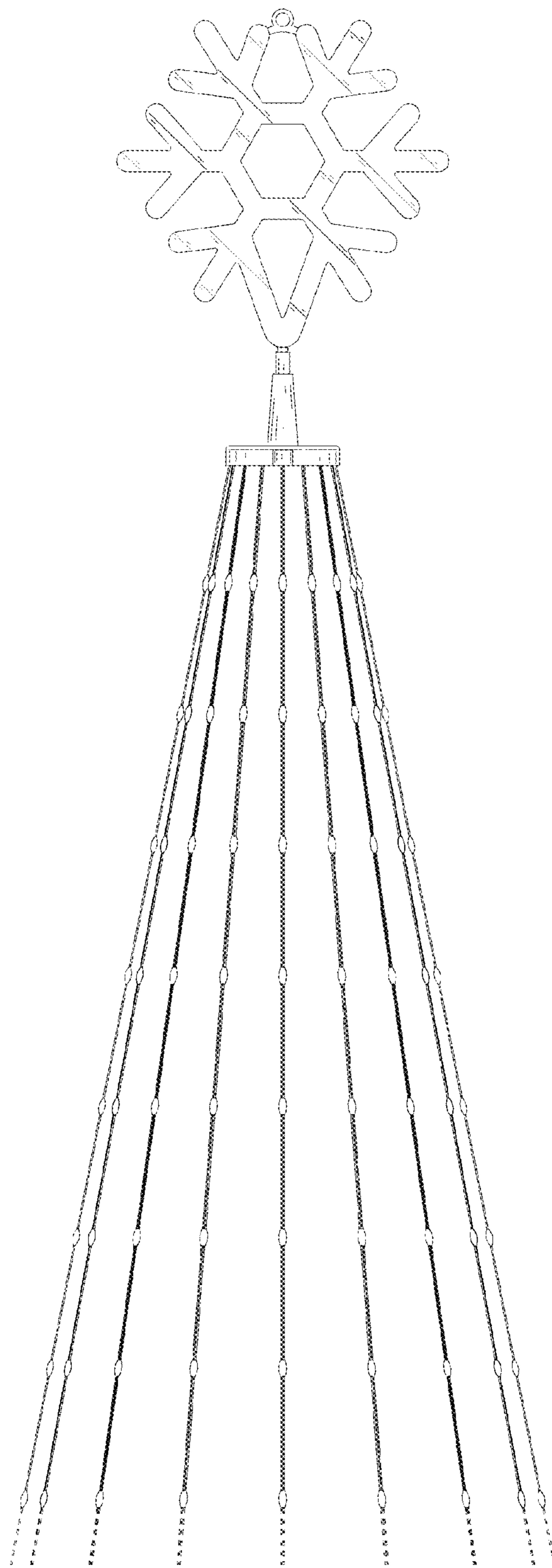


FIG. 13

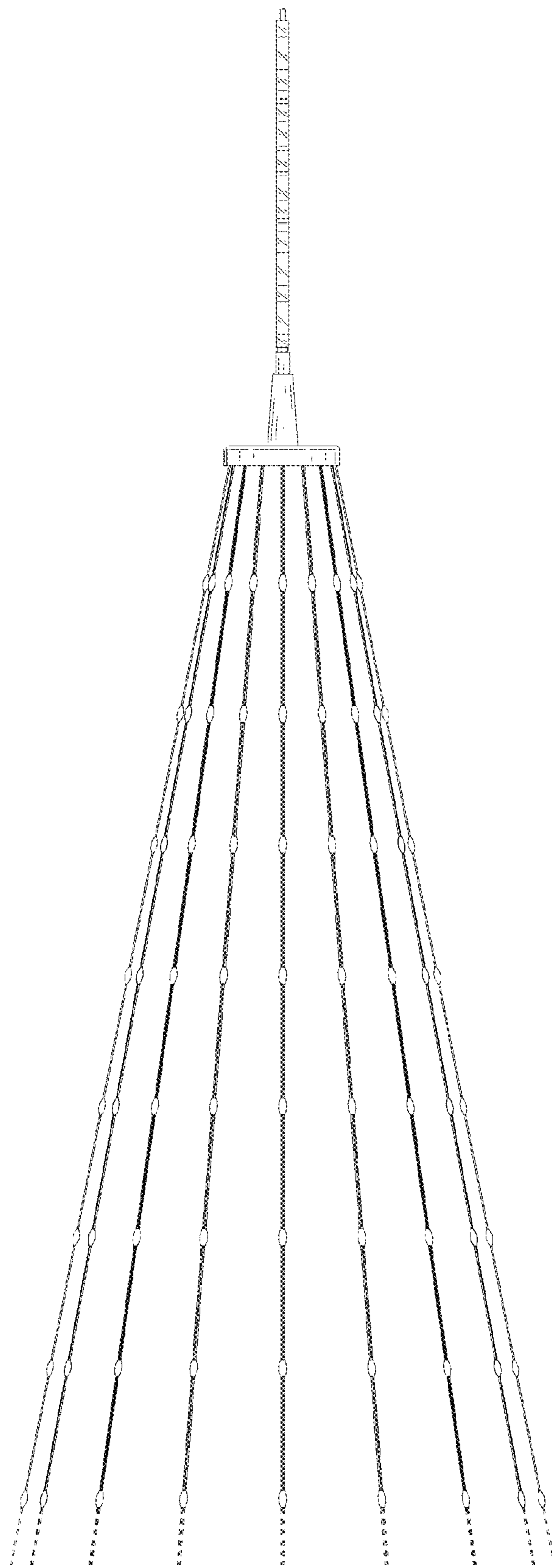


FIG. 14

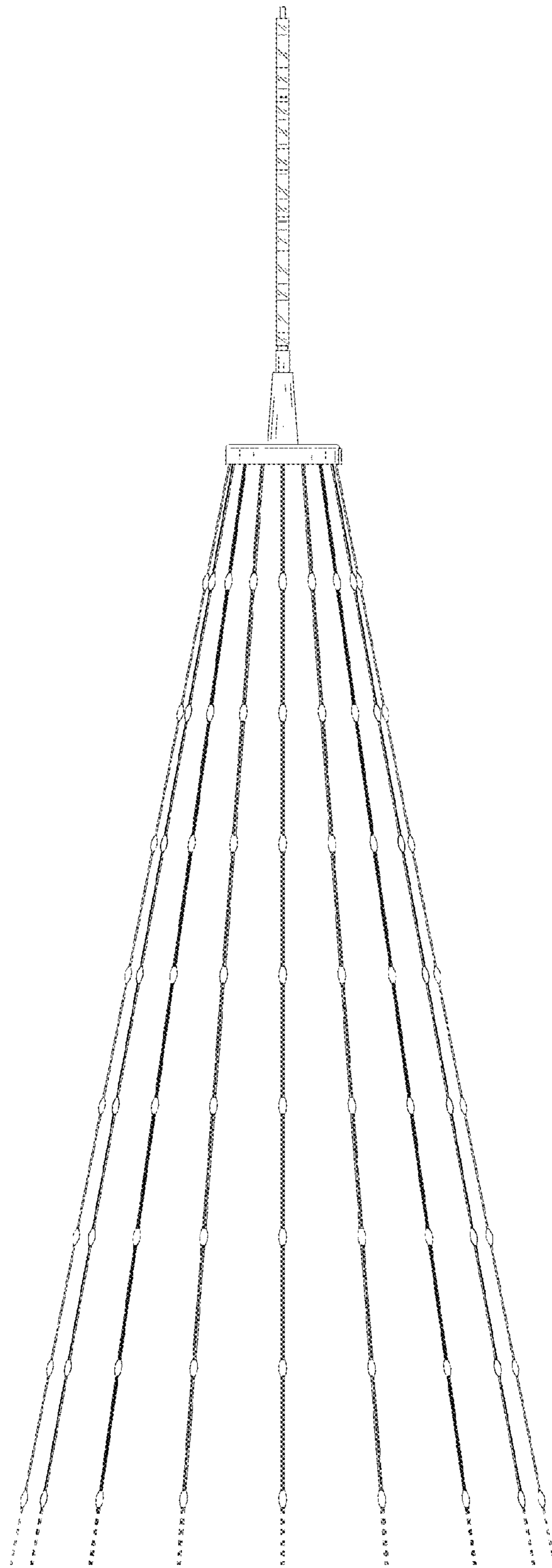


FIG. 15

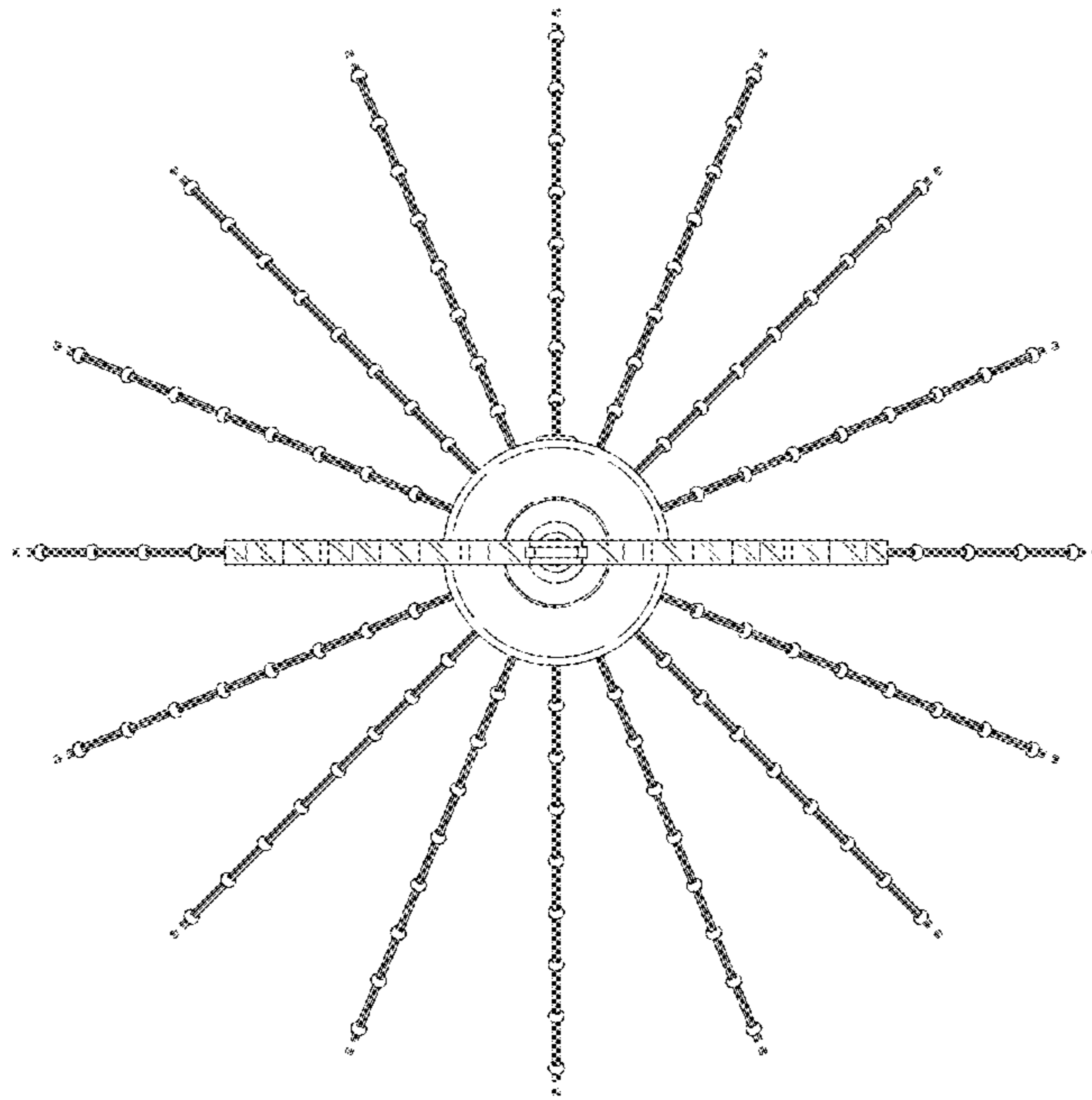


FIG. 16

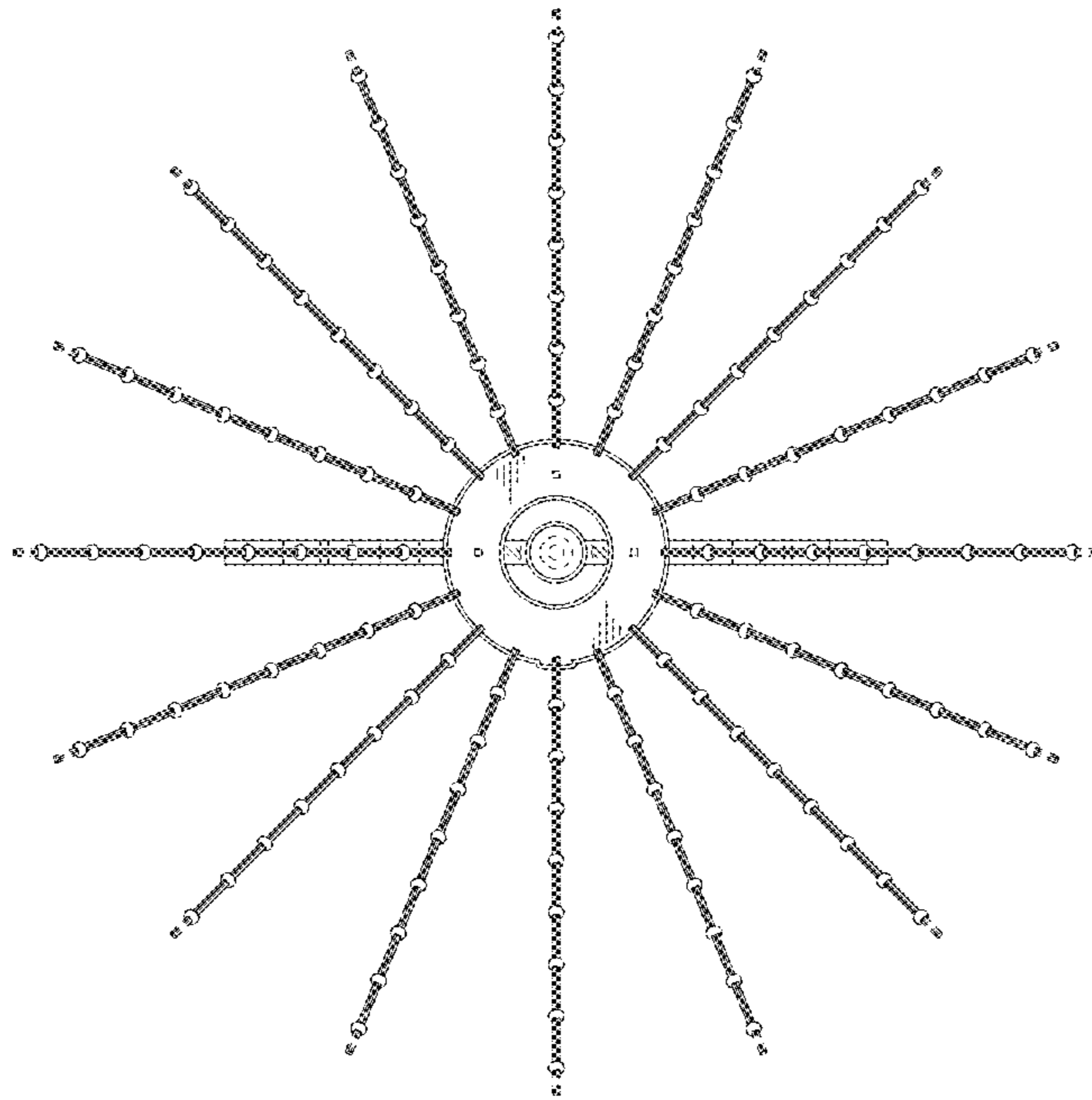


FIG. 17

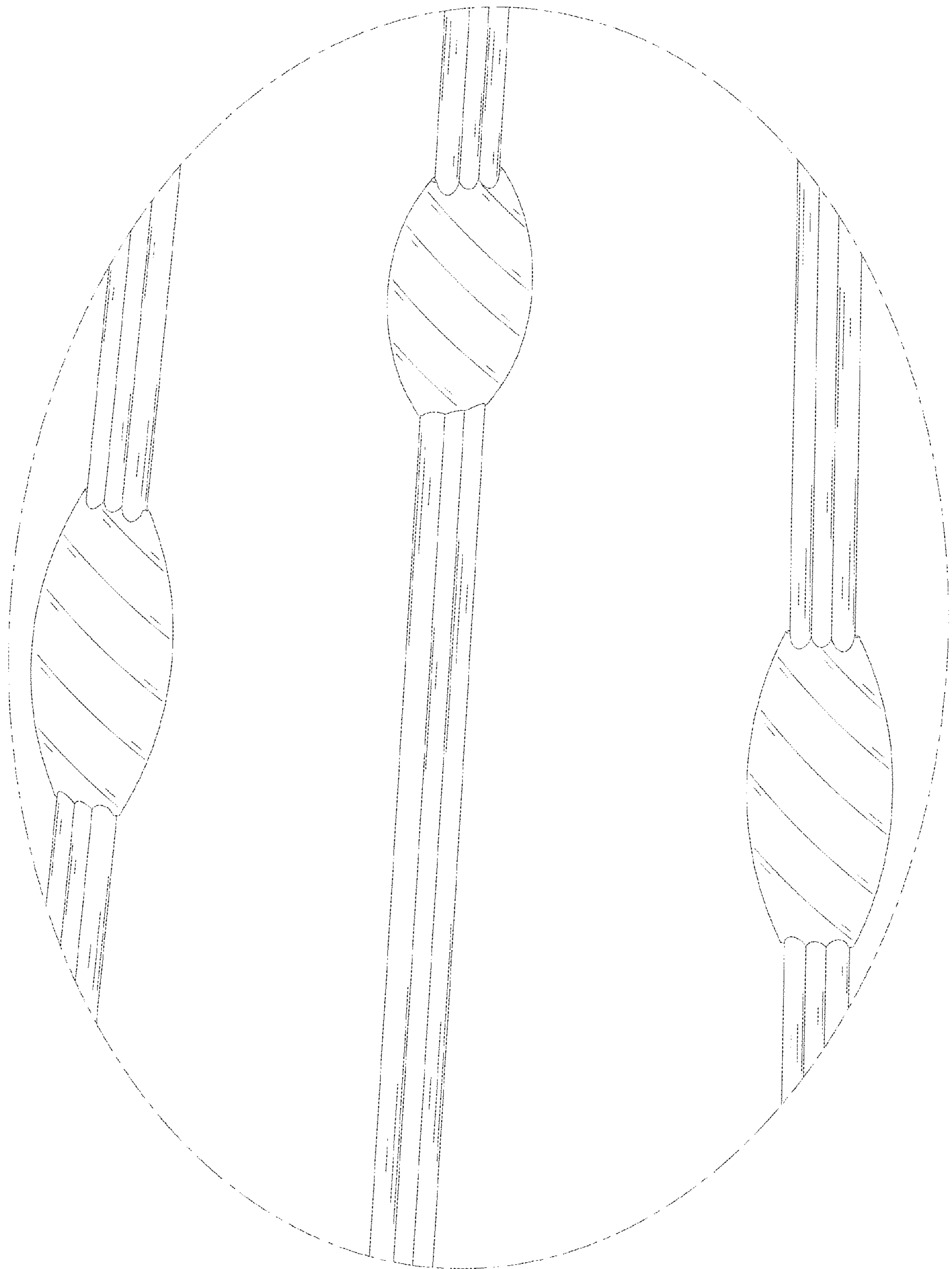


FIG. 18