

US00D971456S

(12) **United States Design Patent**
Zhou

(10) **Patent No.:** **US D971,456 S**

(45) **Date of Patent:** **** Nov. 29, 2022**

(54) **LAMP**

(71) Applicant: **Hongxue Zhou**, Taizhou (CN)

(72) Inventor: **Hongxue Zhou**, Taizhou (CN)

(**) Term: **15 Years**

(21) Appl. No.: **29/799,497**

(22) Filed: **Jul. 14, 2021**

(51) **LOC (13) Cl.** **26-04**

(52) **U.S. Cl.**
USPC **D26/25; D11/121**

(58) **Field of Classification Search**
USPC **D26/1, 2, 24, 25, 27, 113, 118, 80;**
D11/121, 125, 130

(Continued)

(56) **References Cited**

U.S. PATENT DOCUMENTS

D430,901 S * 9/2000 Palmer D20/43
D489,071 S * 4/2004 Nishioka D26/1

(Continued)

FOREIGN PATENT DOCUMENTS

DE 4020212026420001 * 10/2021
DE 4020212026420002 * 10/2021

(Continued)

OTHER PUBLICATIONS

Lofter-pro Christmas Decoration LED String Lights, Oct. 28, 2020,
Amazon.com, site visited Sep. 23, 2022, url: (Year: 2020).*

(Continued)

Primary Examiner — T Chase Nelson

Assistant Examiner — Rachel Wolfe

(57) **CLAIM**

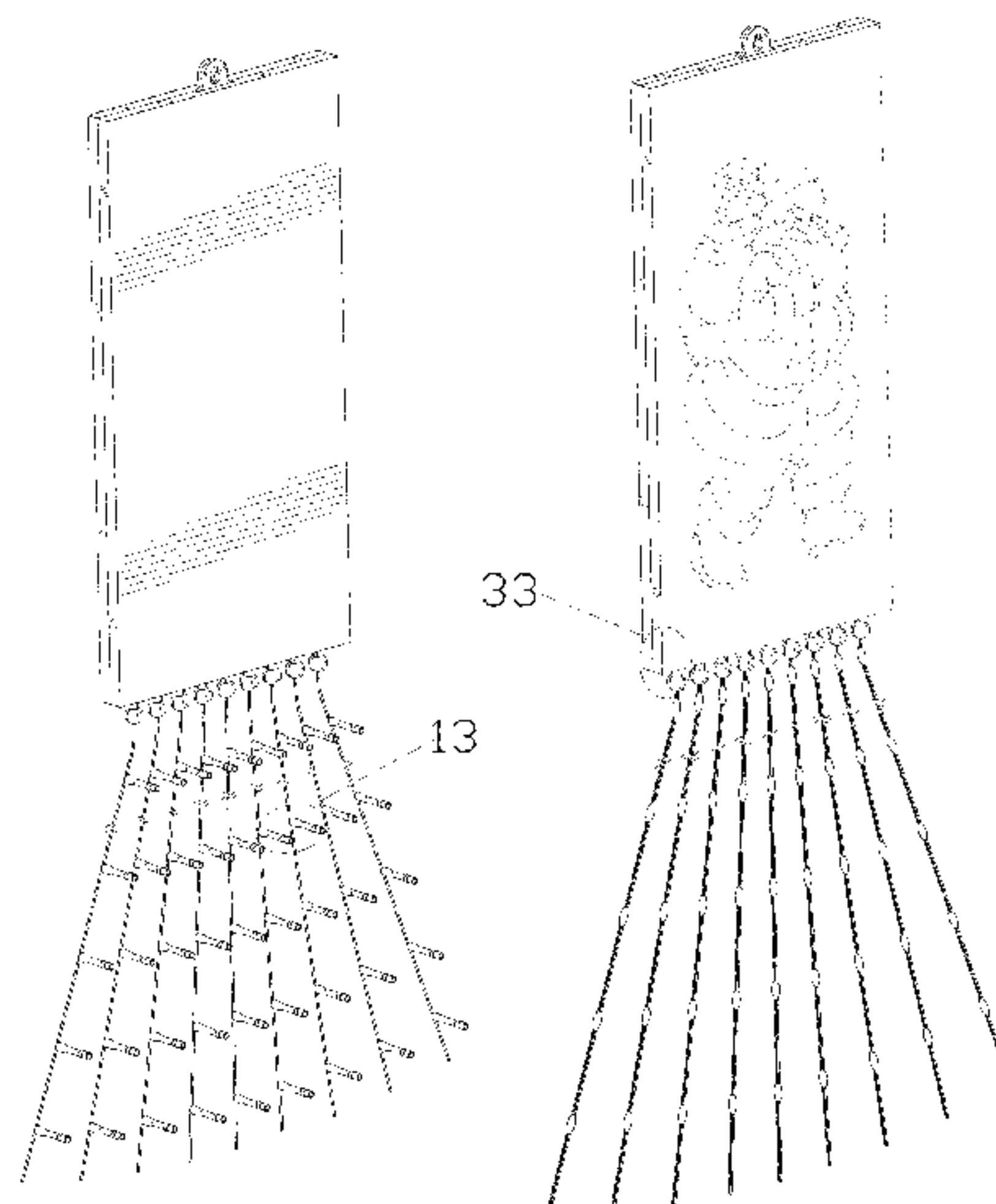
The ornamental design for a lamp, as shown and described.

DESCRIPTION

FIG. 1 is a perspective view of a first embodiment of a lamp showing my new design;

FIG. 2 is another perspective view thereof;
FIG. 3 is a front elevational view thereof;
FIG. 4 is a rear elevational view thereof;
FIG. 5 is a left side elevational view thereof;
FIG. 6 is a right side elevational view thereof;
FIG. 7 is a top plan view thereof;
FIG. 8 is a bottom plan view thereof;
FIG. 9 is a perspective view of the first embodiment of the lamp where the lamp is in a first configuration of use;
FIG. 10 is a perspective view of the first embodiment of the lamp where the lamp is in a second configuration of use;
FIG. 11 is a perspective view of a the first embodiment of the lamp where the lamp is in a third configuration of use;
FIG. 12 is a perspective view of a the first embodiment of the lamp where the lamp is in a fourth configuration of use;
FIG. 13 is an enlarged view of portion 13 shown in FIG. 1;
FIG. 14 is an enlarged view of portion 14 shown in FIG. 9;
FIG. 15 is an enlarged view of portion 15 shown in FIG. 10;
FIG. 16 is an enlarged view of portion 16 shown in FIG. 11;
FIG. 17 is an enlarged view of portion 17 shown in FIG. 12;
FIG. 18 is a perspective view of a second embodiment of the lamp showing my new design;
FIG. 19 is another perspective view thereof;
FIG. 20 is a front elevational view thereof;
FIG. 21 is a rear elevational view thereof;
FIG. 22 is a left side elevational view thereof;
FIG. 23 is a right side elevational view thereof;
FIG. 24 is a top plan view thereof;
FIG. 25 is a bottom plan view thereof;
FIG. 26 is a perspective view of the second embodiment of the lamp where the lamp is in a first configuration of use;
FIG. 27 is a perspective view of the second embodiment of the lamp where the lamp is in a second configuration of use;
FIG. 28 is a perspective view of the second embodiment of the lamp where the lamp is in a third configuration of use;
FIG. 29 is a perspective view of the second embodiment of the lamp where the lamp is in a fourth configuration of use;
FIG. 30 is an enlarged view of portion 30 shown in FIG. 18;
FIG. 31 is an enlarged view of portion 31 shown in FIG. 26;
FIG. 32 is an enlarged view of portion 32 shown in FIG. 27;
FIG. 33 is an enlarged view of portion 33 shown in FIG. 28;
and,
FIG. 34 is an enlarged view of portion 34 shown in FIG. 29.

(Continued)



The lamp is shown with symbolic breaks in its length, and the appearance of any portion of the lamp between the break lines forms no part of the claimed design. The dash-dash broken lines in the drawings depict portions of the lamp that form no part of the claimed design. The dot-dash broken lines in the drawings depict boundaries of the enlarged portions and form no part of the claimed design.

1 Claim, 34 Drawing Sheets

(58) **Field of Classification Search**

CPC F21S 4/00; F21S 4/10; F21S 4/15; F21S 4/20; F21K 9/00; F21W 2121/00; F21W 2121/04

See application file for complete search history.

(56) **References Cited**

U.S. PATENT DOCUMENTS

D880,022 S * 3/2020 Gong D26/25
 D885,617 S * 5/2020 Li D26/25
 D910,889 S * 2/2021 Zhou D26/25
 D917,083 S * 4/2021 Zhou D26/25
 D917,084 S * 4/2021 Zhou D26/25
 D917,741 S * 4/2021 Kuang D26/25
 D921,936 S * 6/2021 Zhou D26/25

D925,783 S * 7/2021 Xiao D26/25
 D928,023 S * 8/2021 Haller D6/300
 D935,681 S * 11/2021 Gong D26/81
 D936,513 S * 11/2021 Haller D6/300
 D938,627 S * 12/2021 Li D26/25
 D950,113 S * 4/2022 Zhou D11/125
 D952,200 S * 5/2022 Zhou D11/124
 D957,697 S * 7/2022 Wang D26/25
 D957,698 S * 7/2022 Wang D26/25
 D962,494 S * 8/2022 Zheng D26/1
 D962,496 S * 8/2022 Yu D11/121
 D962,497 S * 8/2022 Yu D11/121
 D962,498 S * 8/2022 Zhou D26/25
 D963,902 S * 9/2022 Wang D26/25
 2002/0176252 A1 * 11/2002 Pan F21S 4/10
 362/249.01

FOREIGN PATENT DOCUMENTS

GB 6146062 * 7/2021
 GB 6146063 * 7/2021

OTHER PUBLICATIONS

Muyun Waterfall Christmas String Lights, Nov. 20, 2020, Amazon.com, site visited Mar. 7, 2022, url: (Year: 2020).*
 Qulist Color Changing Christmas Lights, Jun. 28, 2021, Amazon.com, site visited Mar. 9, 2022, url: (Year: 2021).*

* cited by examiner

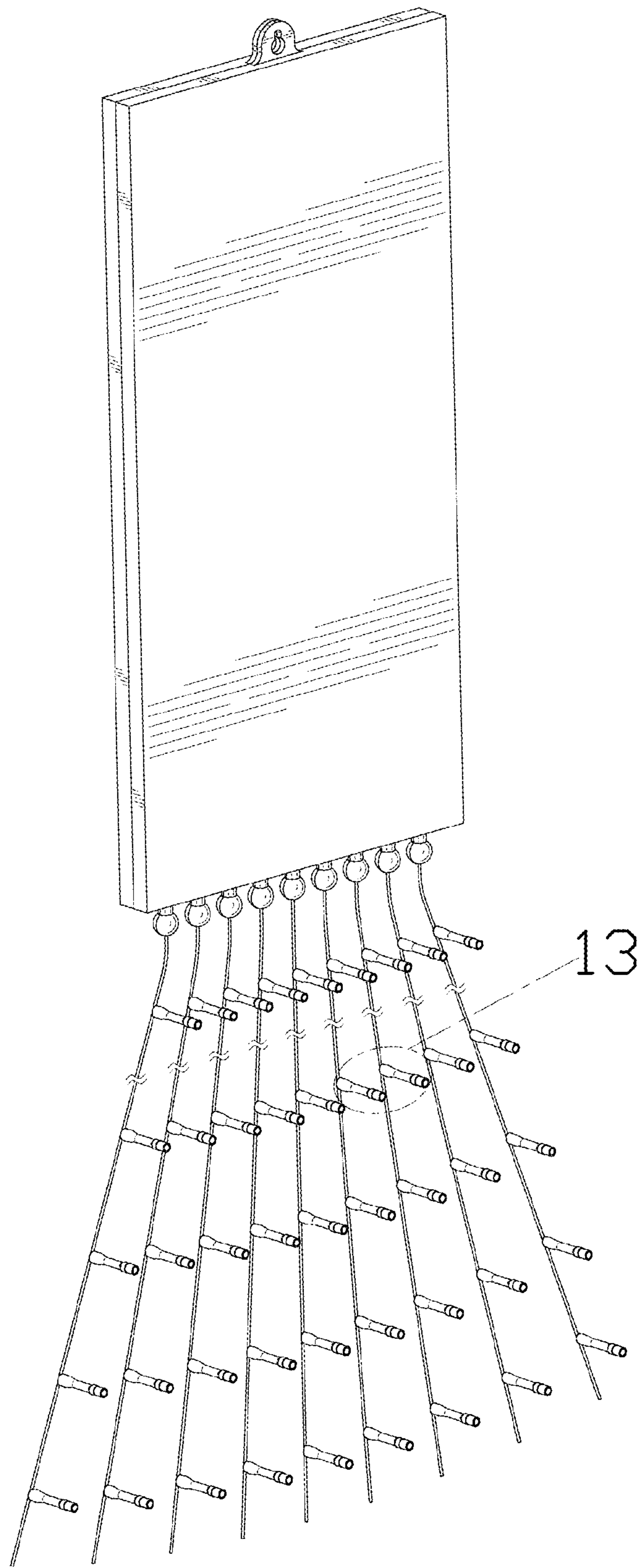


FIG. 1

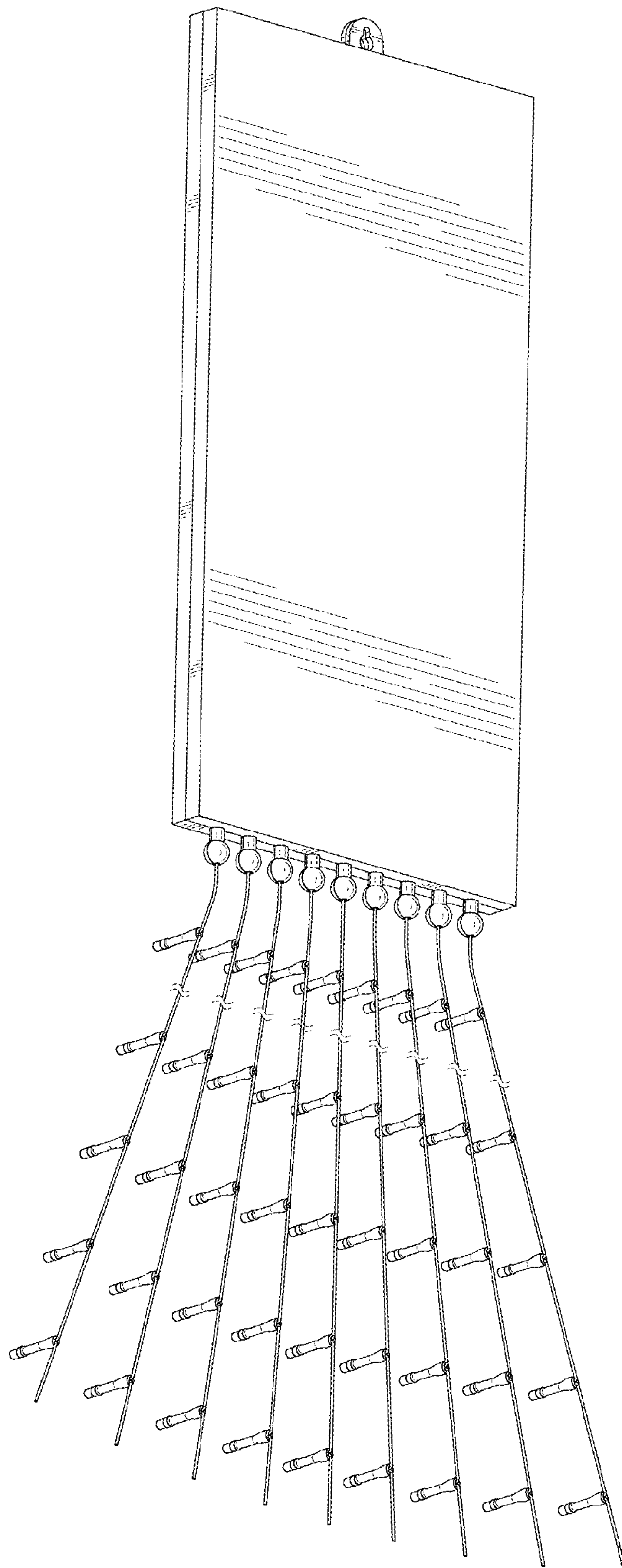


FIG. 2

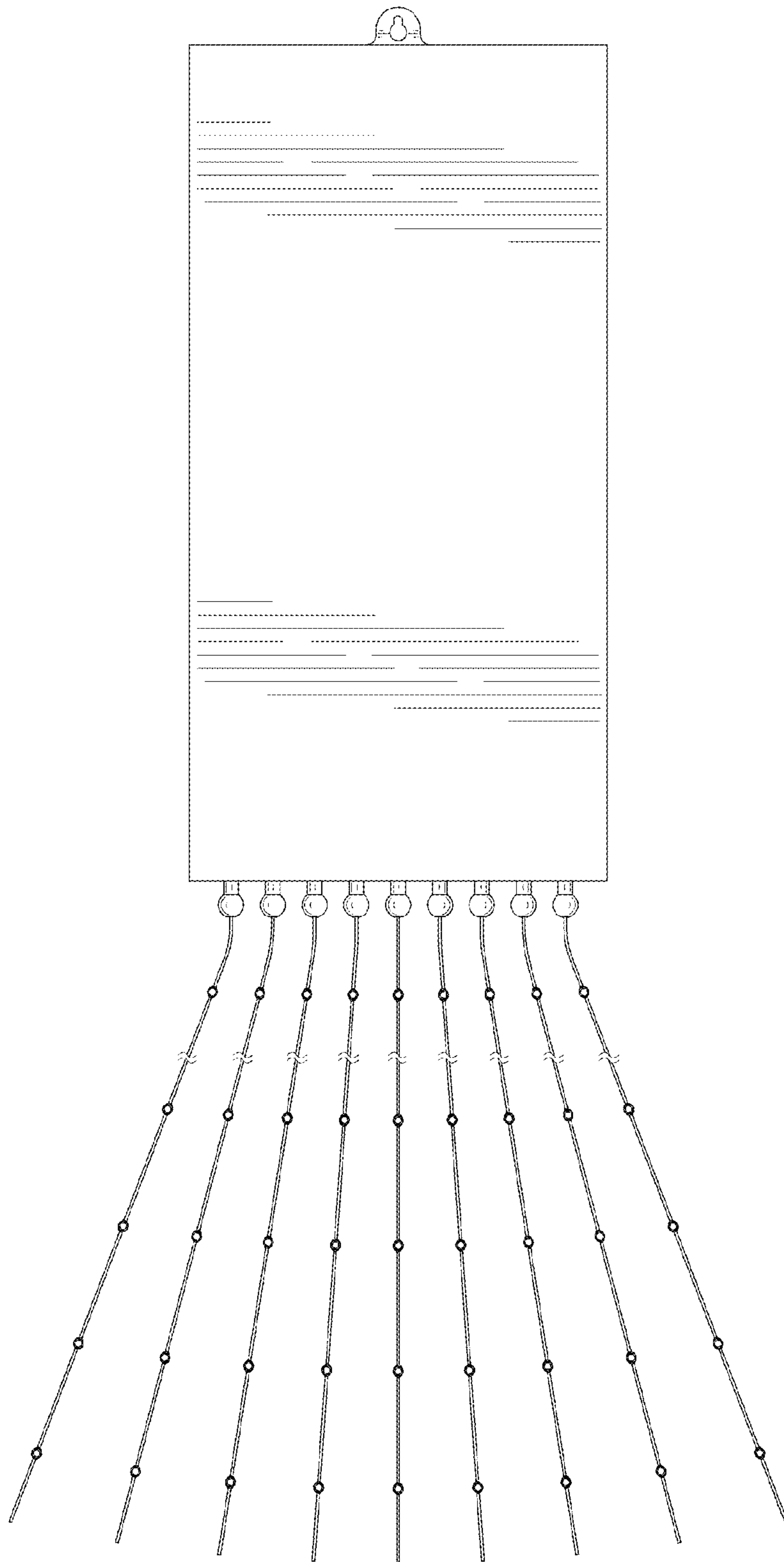


FIG. 3

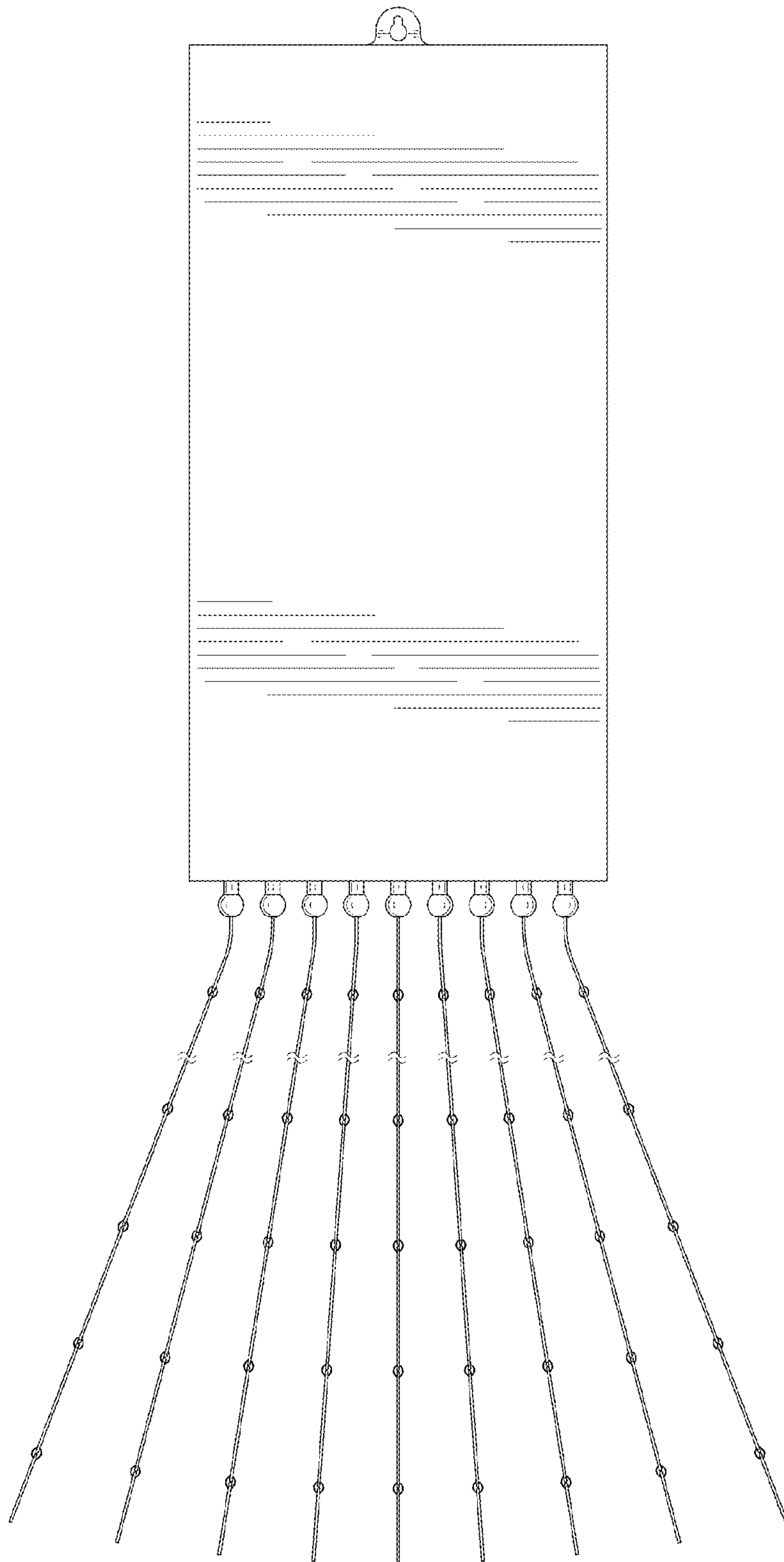


FIG. 4

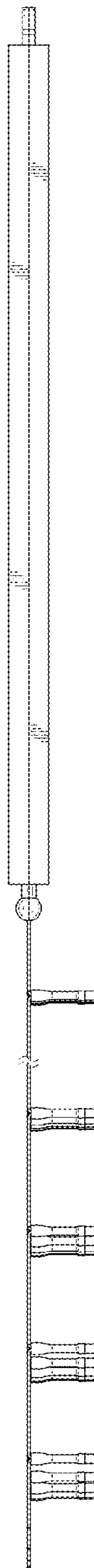


FIG. 5

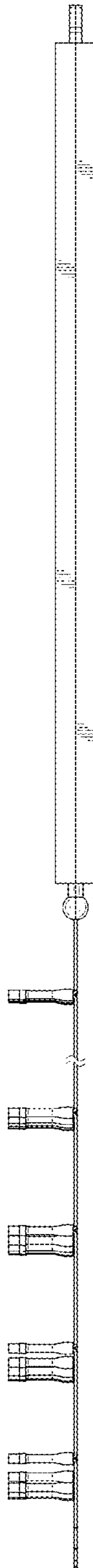


FIG. 6

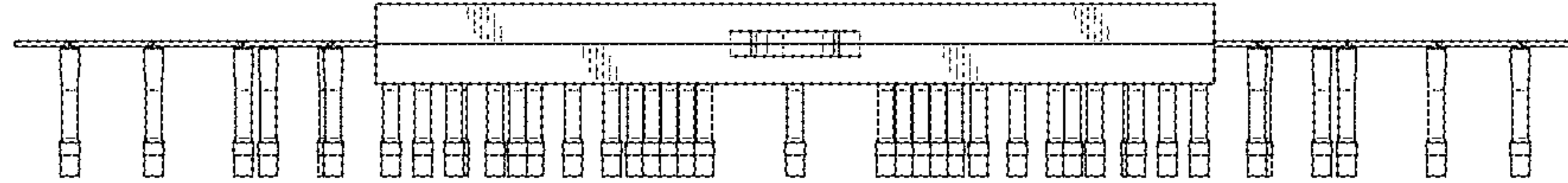


FIG. 7

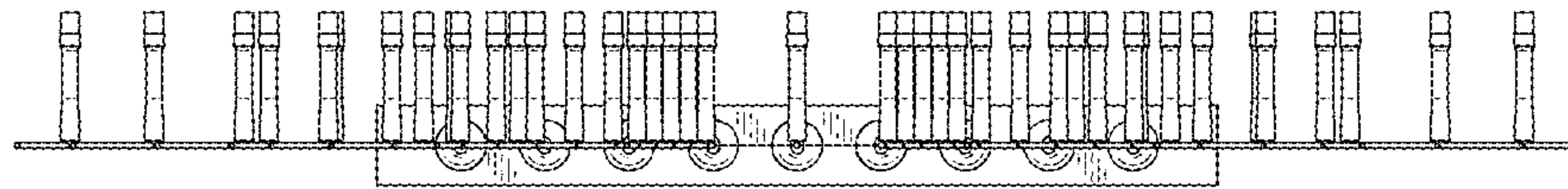


FIG. 8

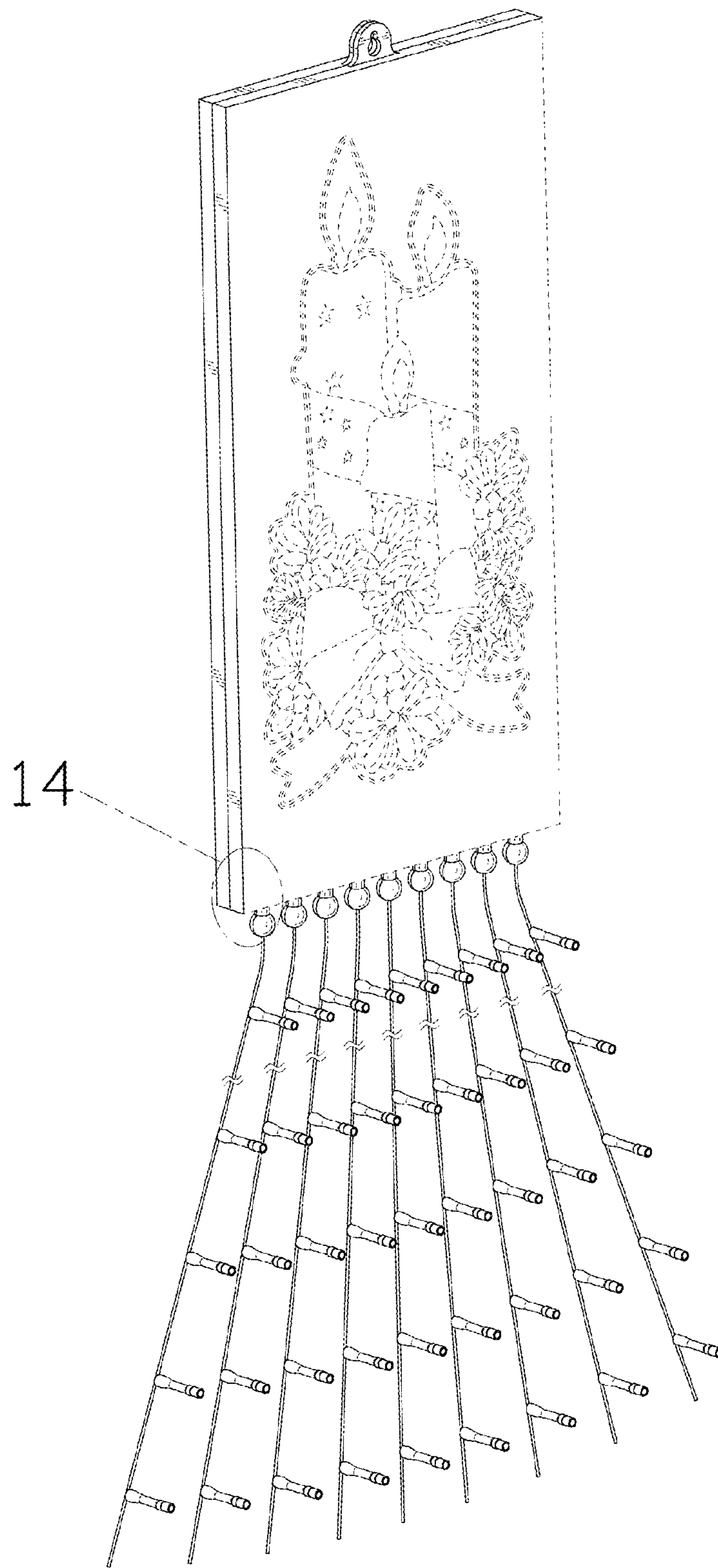


FIG. 9

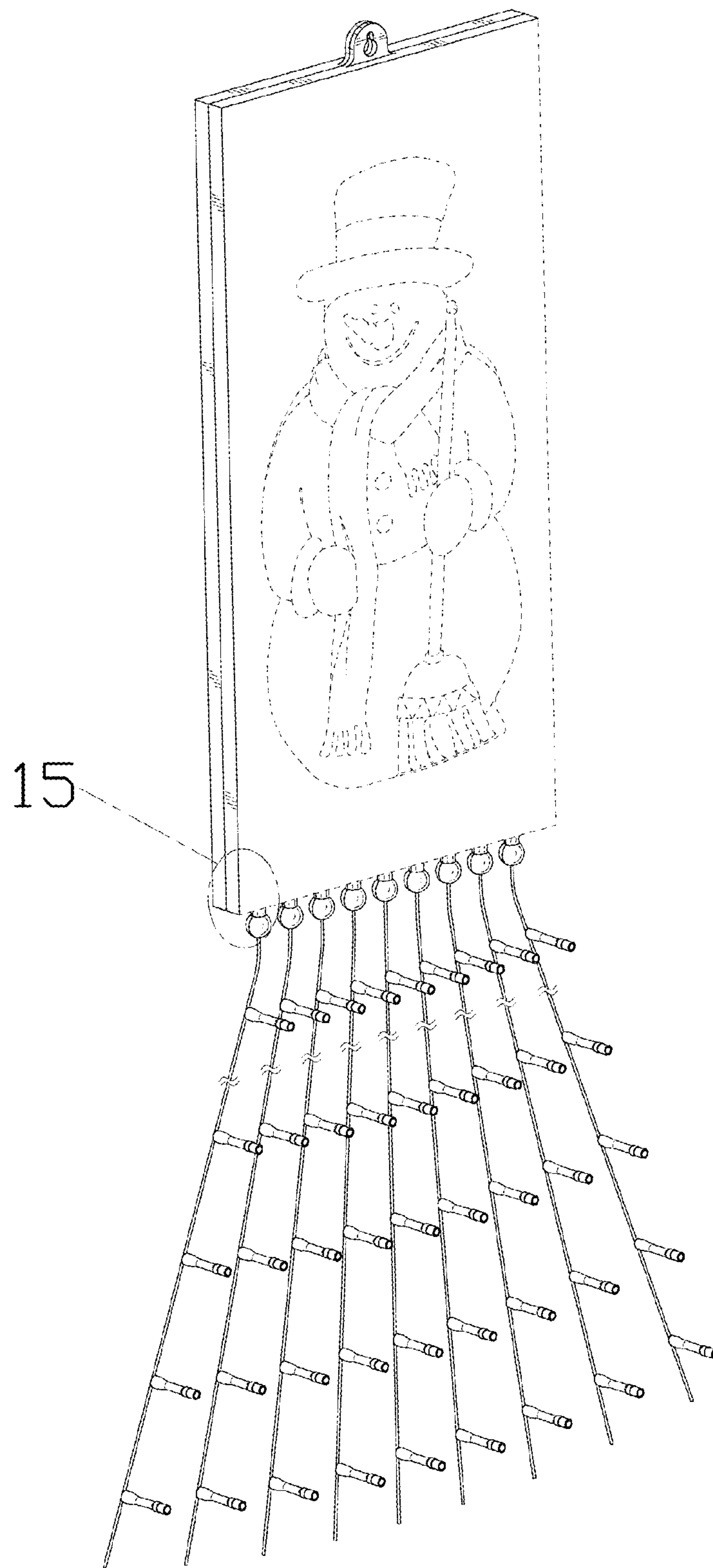


FIG. 10

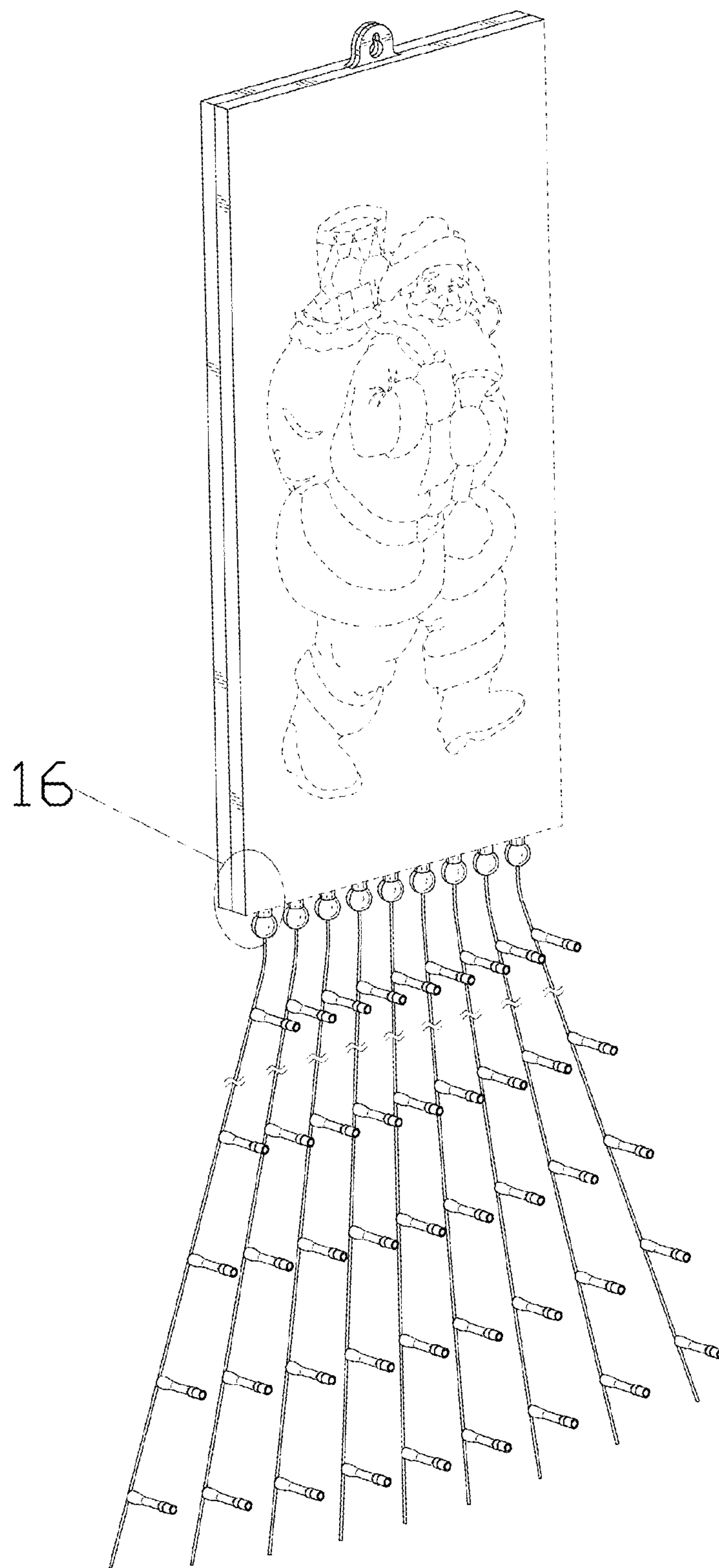


FIG. 11

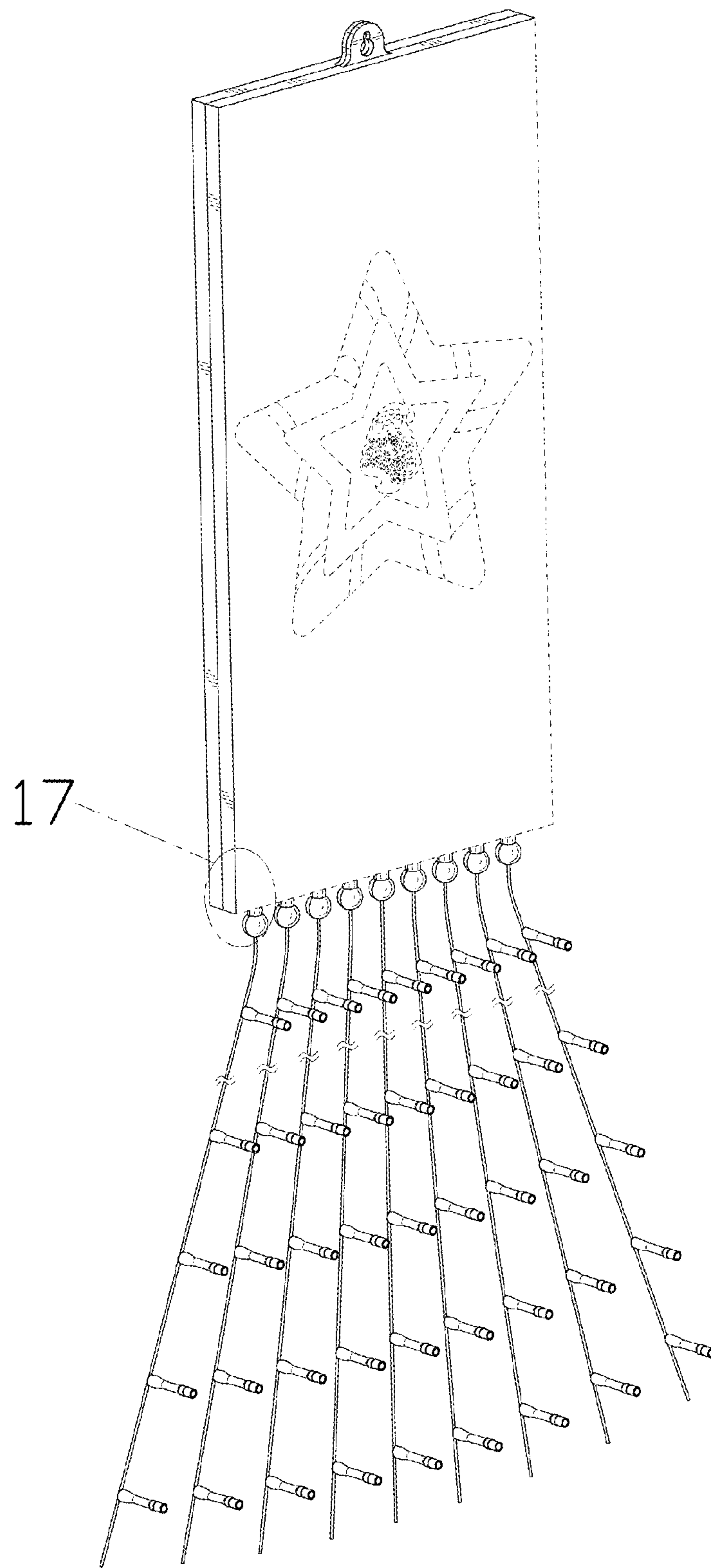


FIG. 12

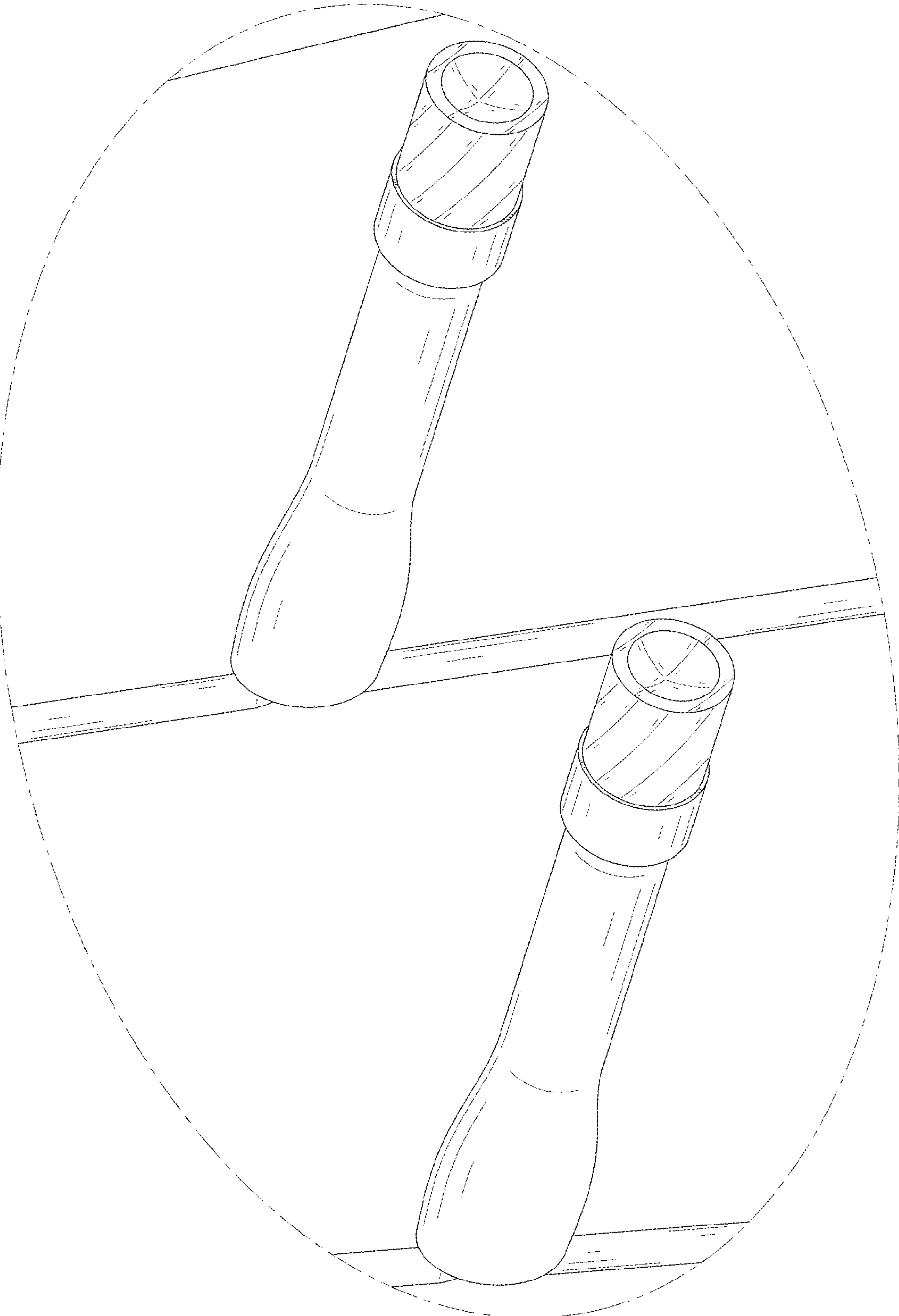


FIG. 13

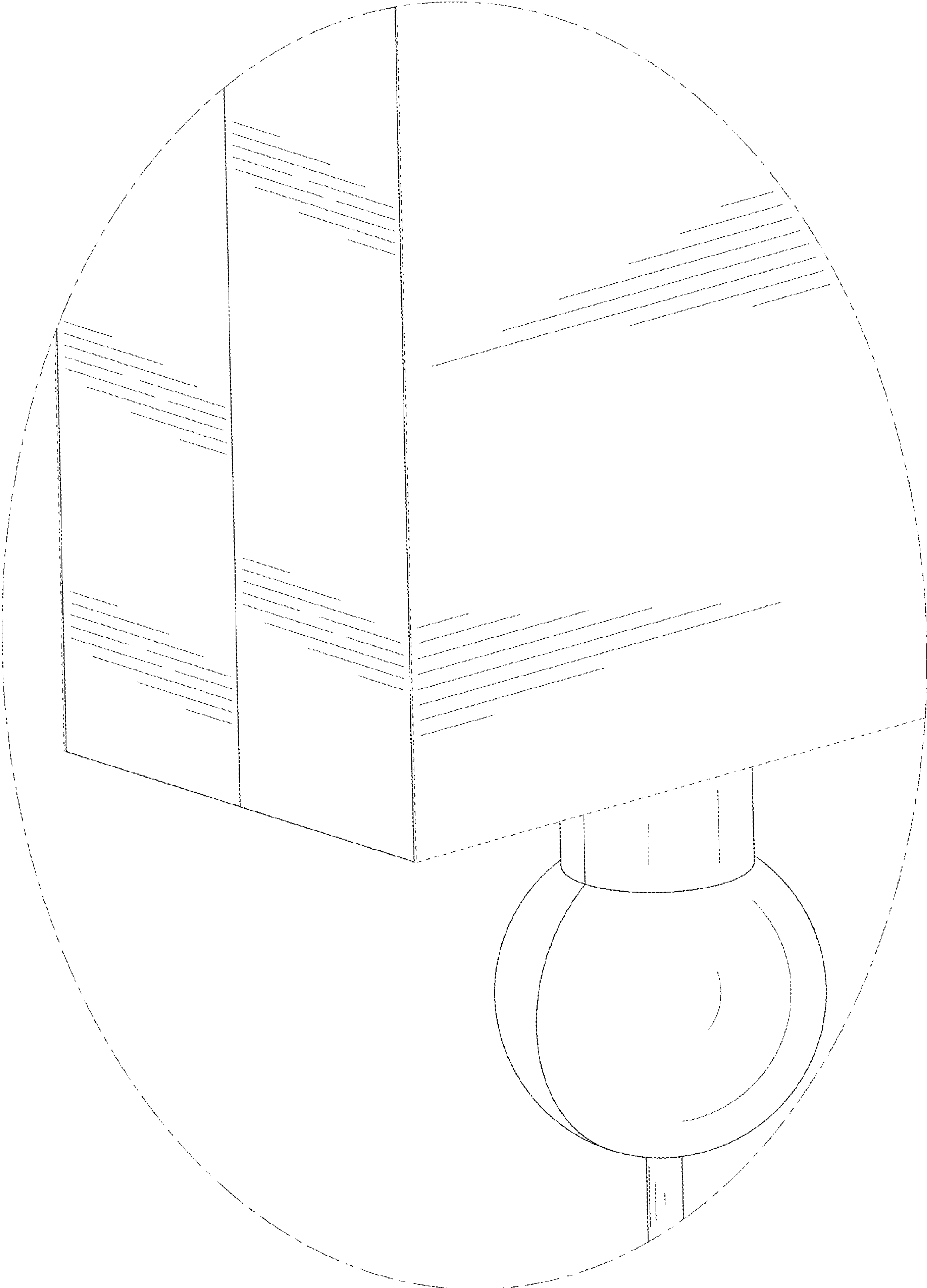


FIG. 14

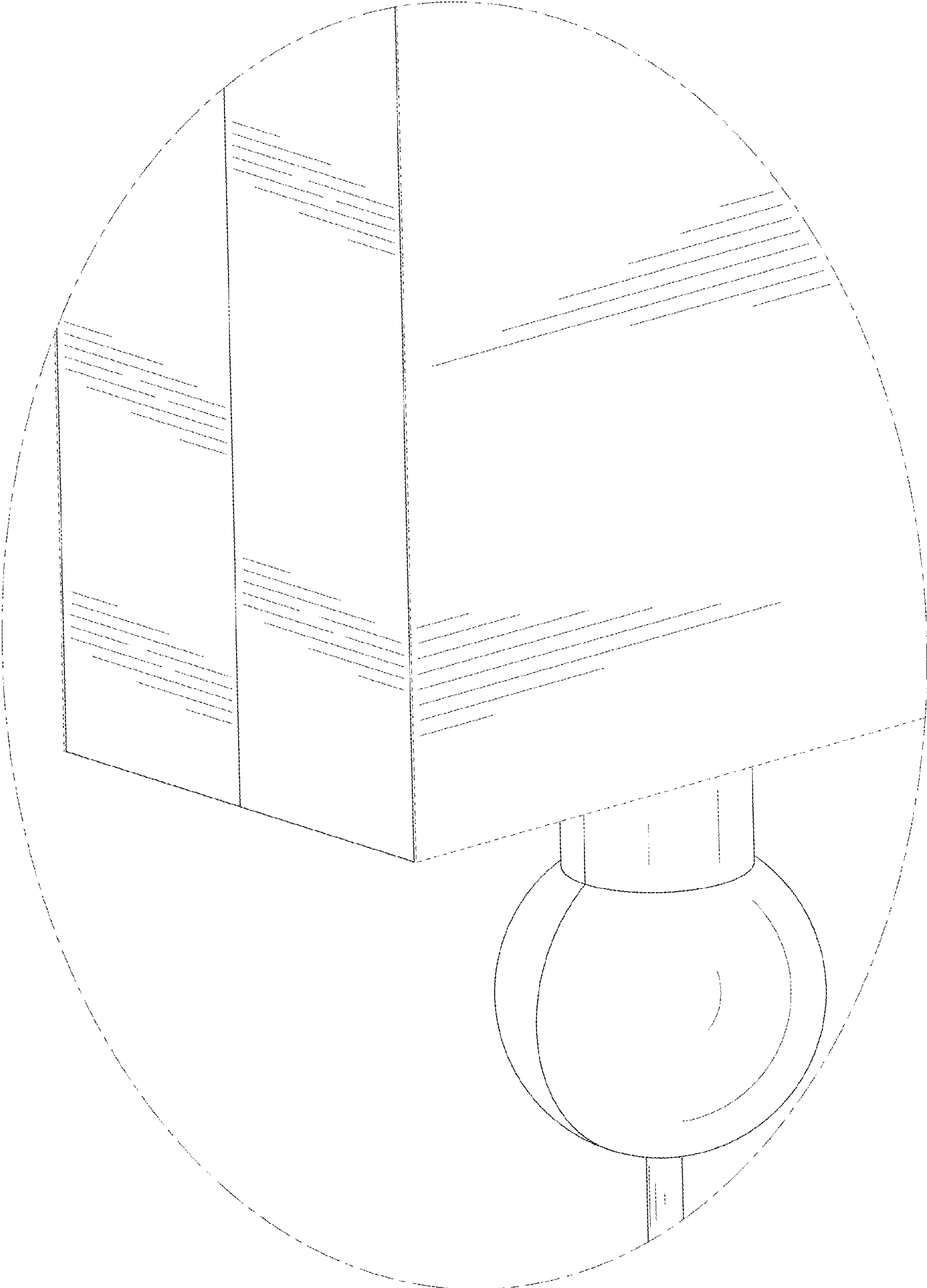


FIG. 15

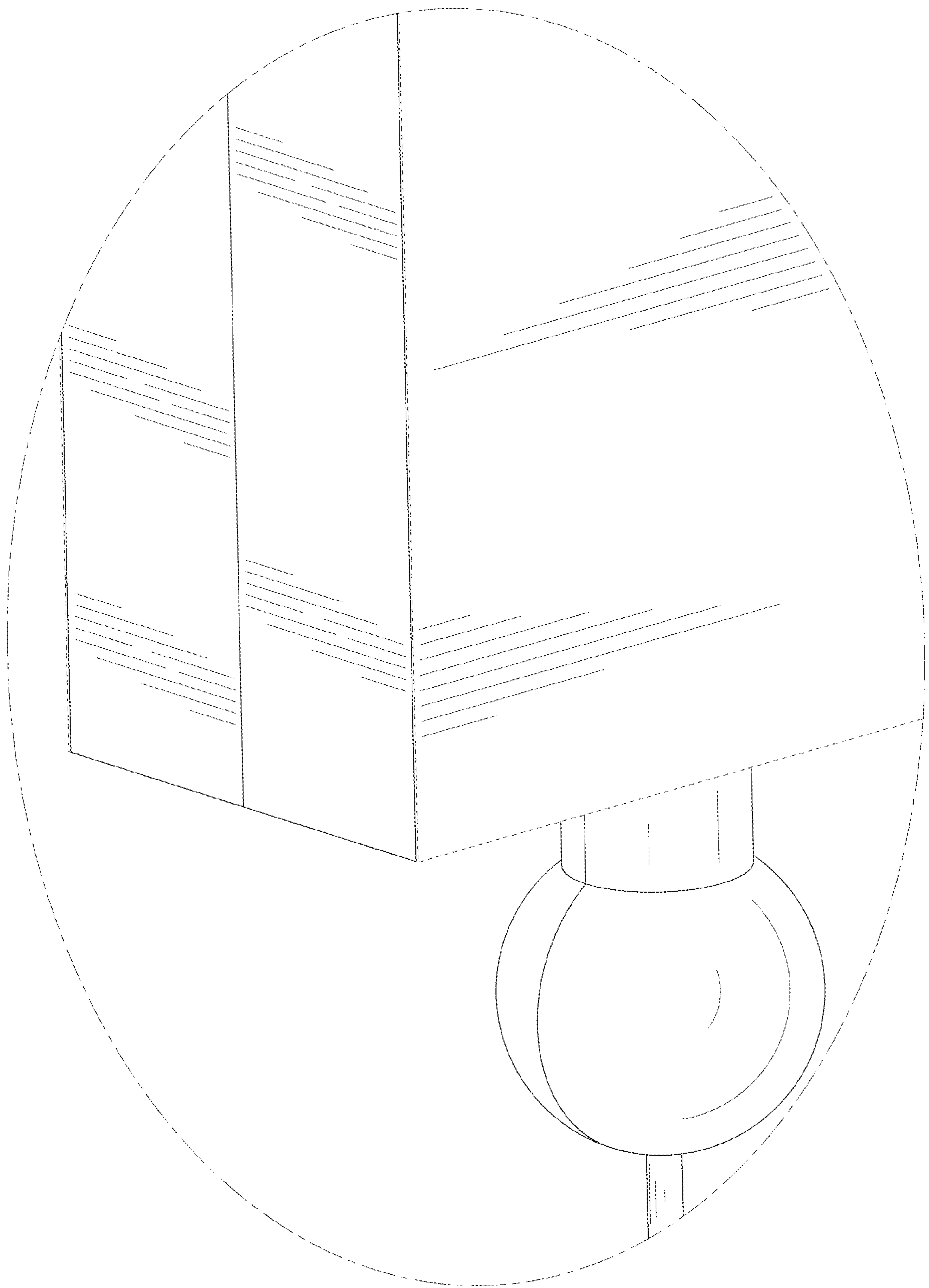


FIG. 16

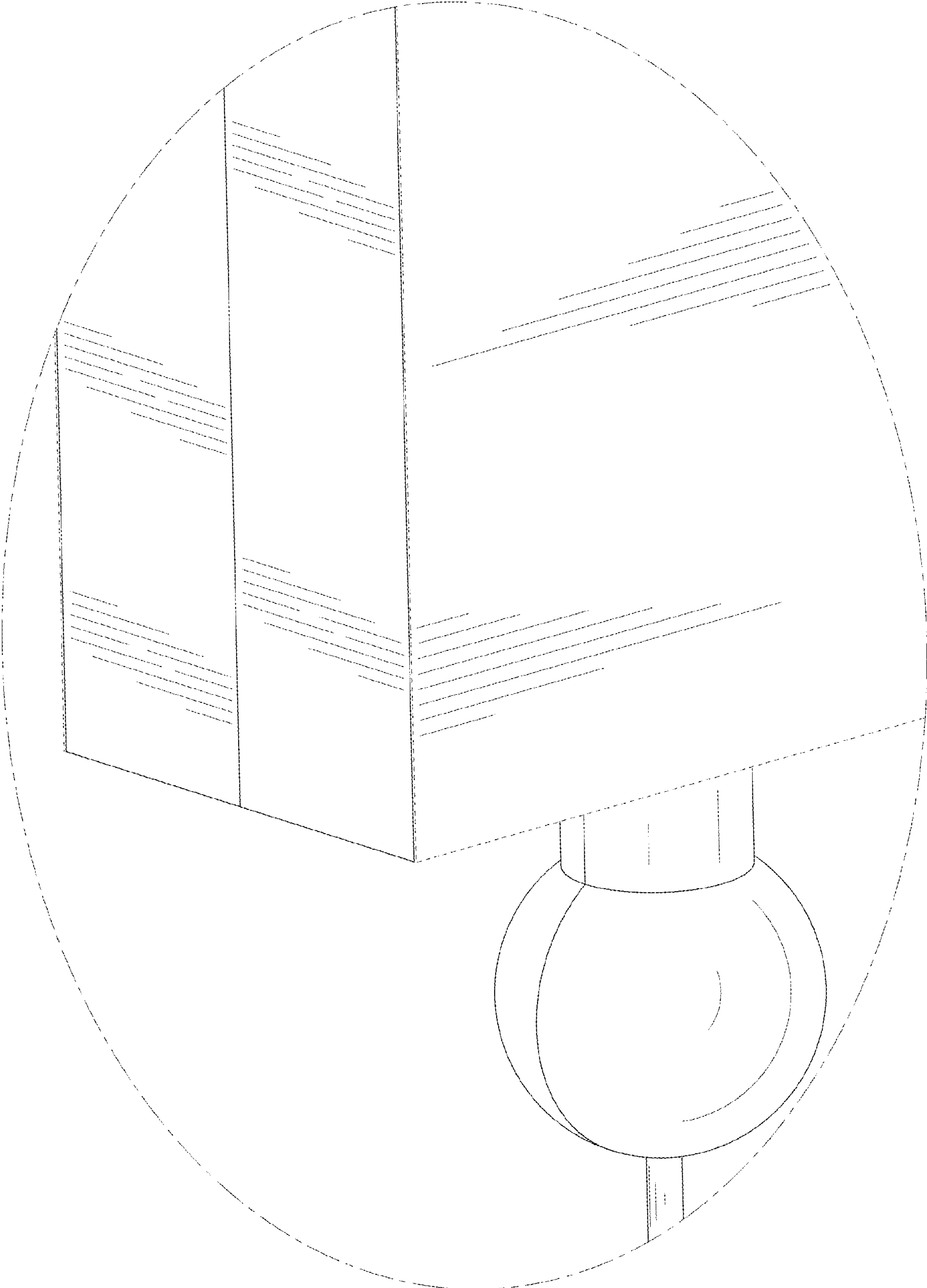


FIG. 17

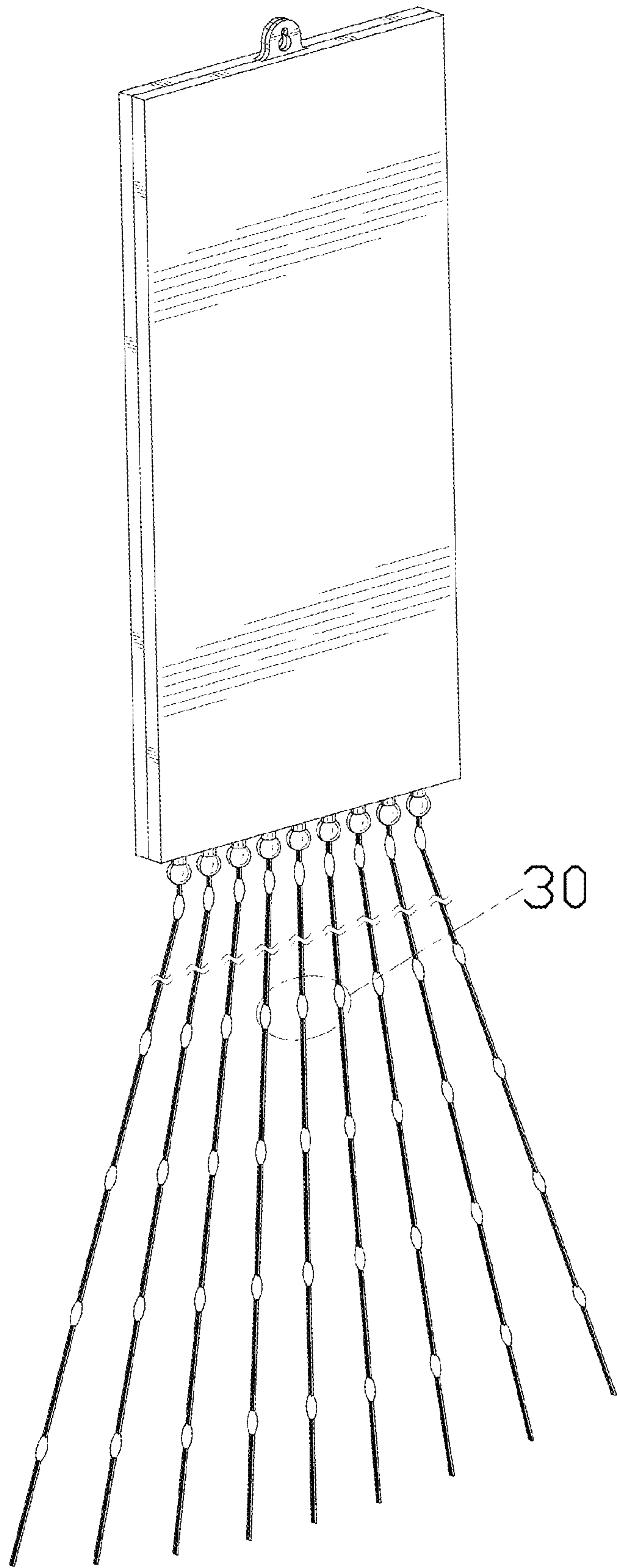


FIG. 18

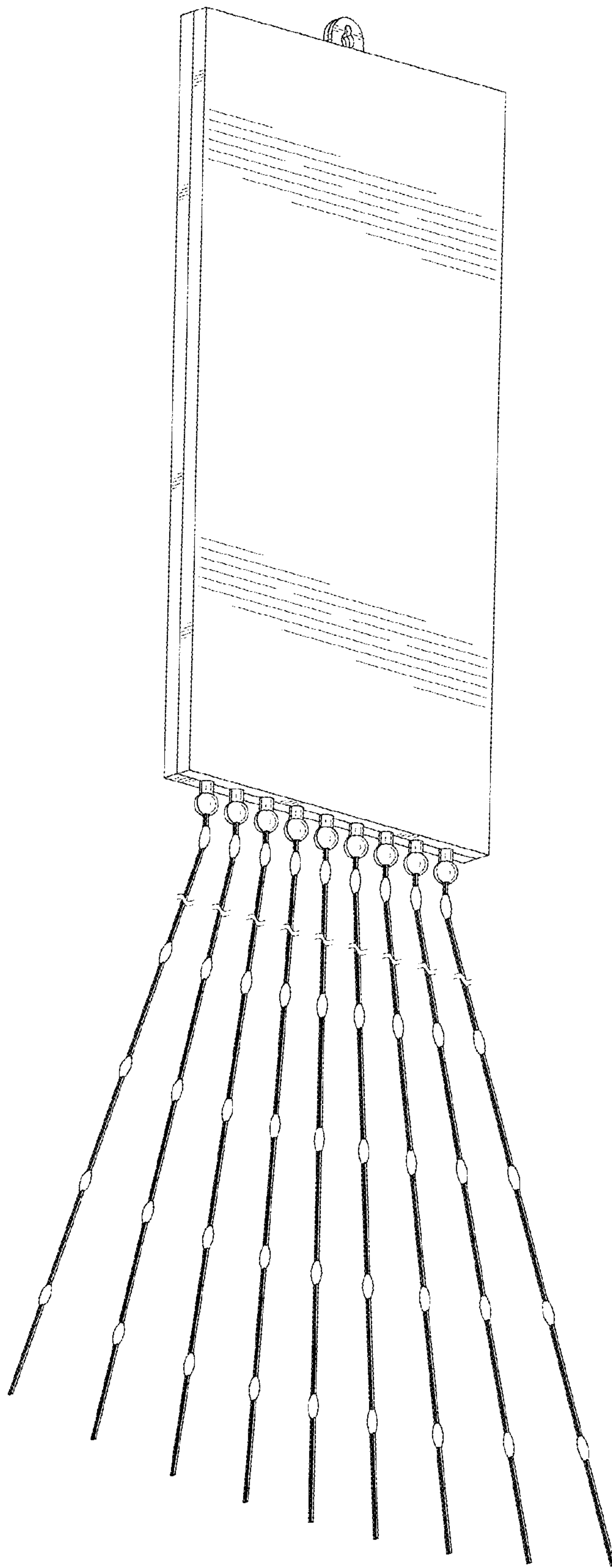


FIG. 19

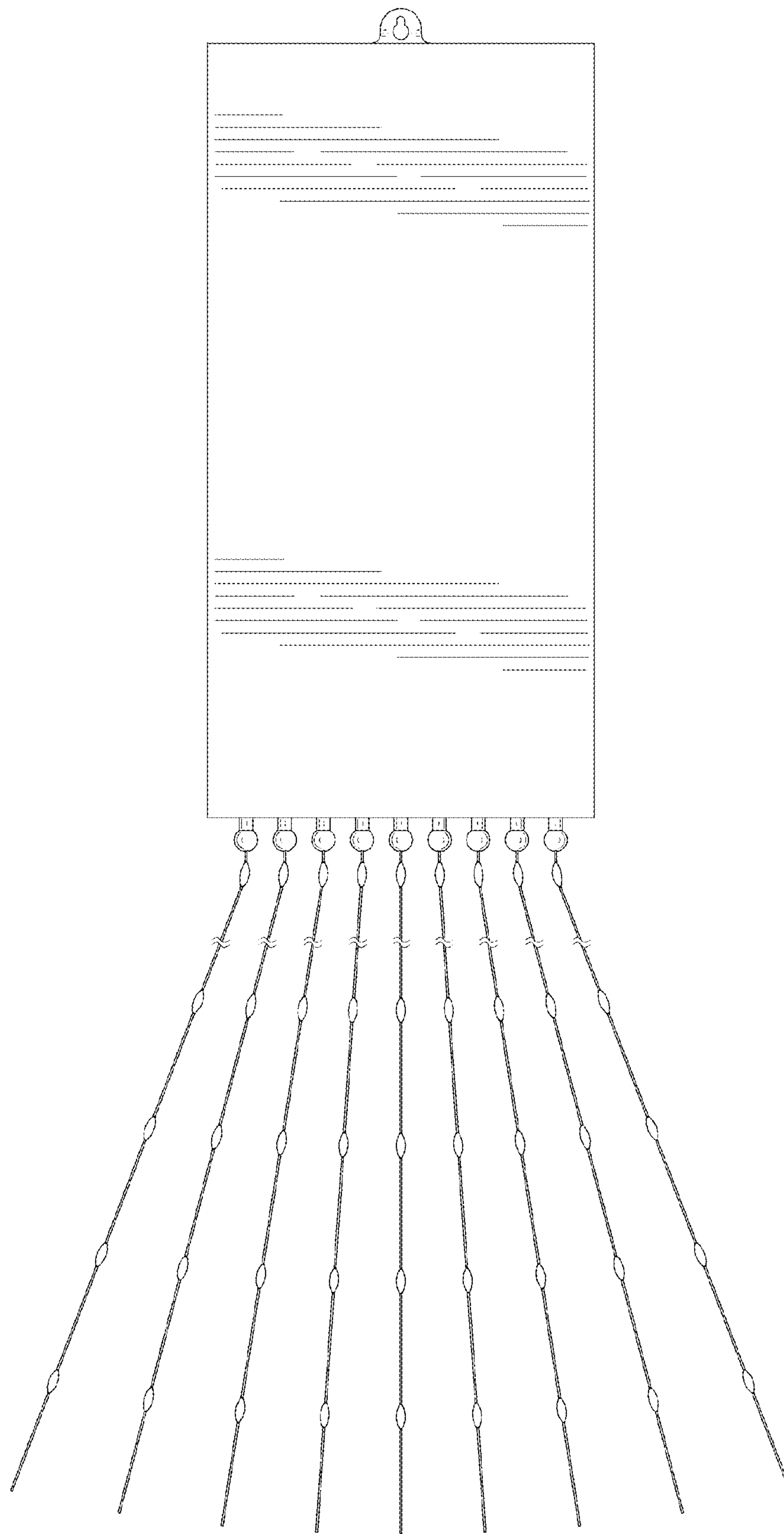


FIG. 20

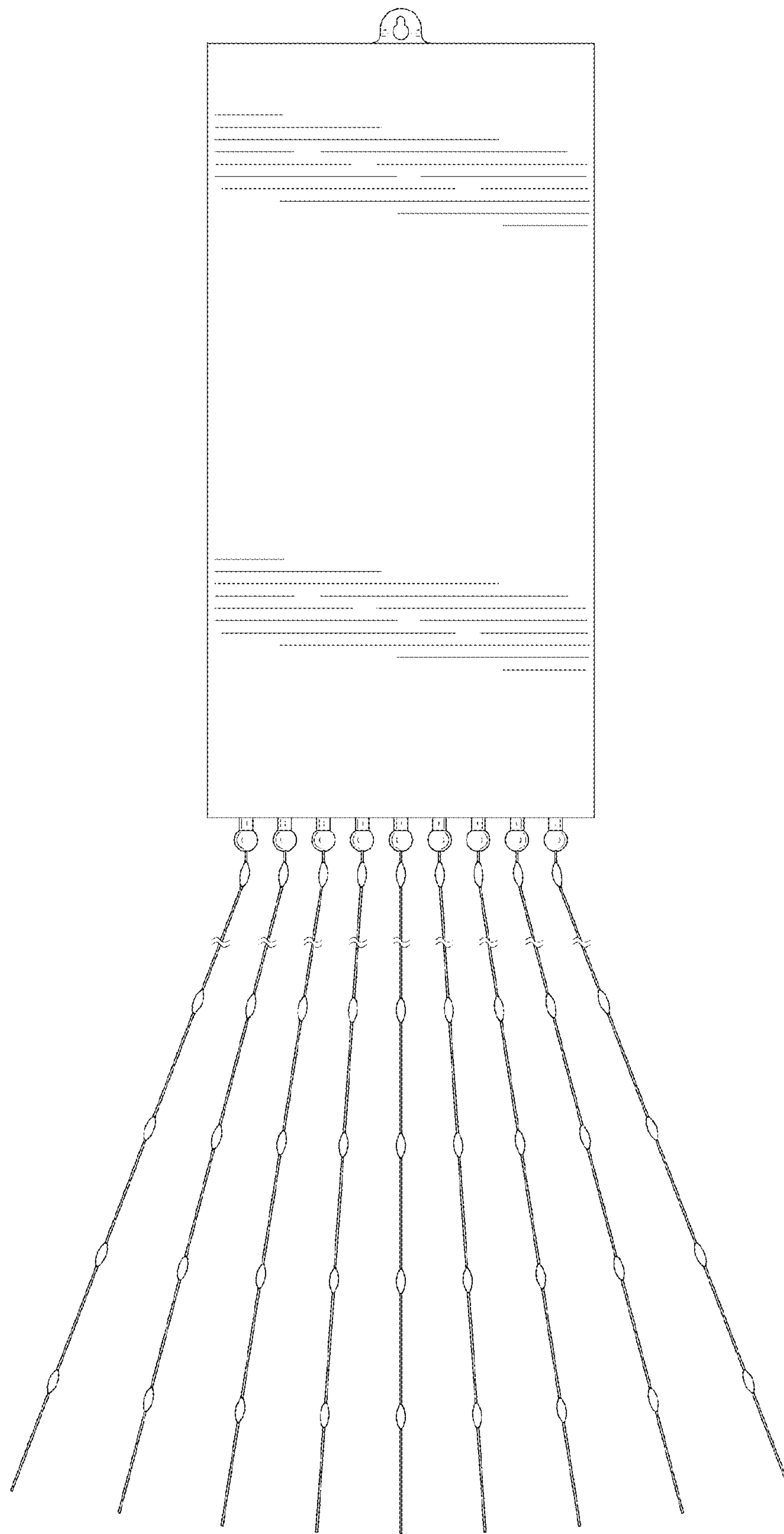


FIG. 21

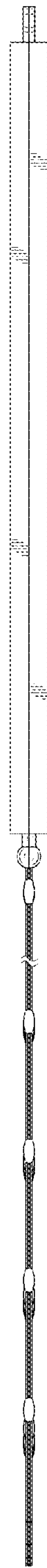


FIG. 22

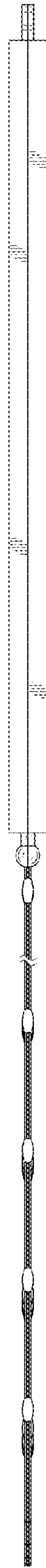


FIG. 23

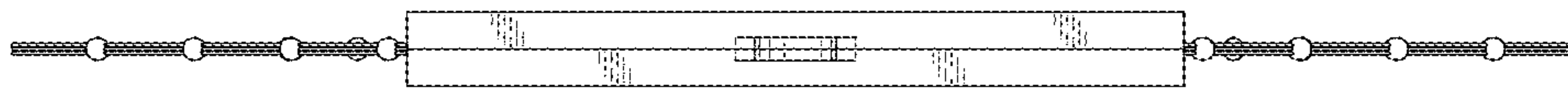


FIG. 24

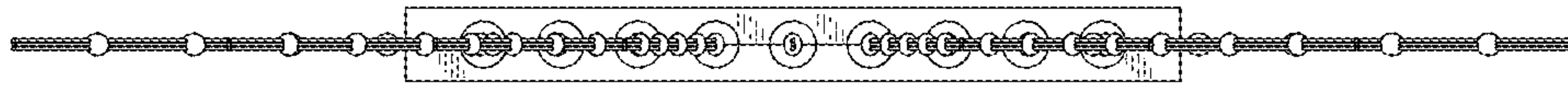


FIG. 25

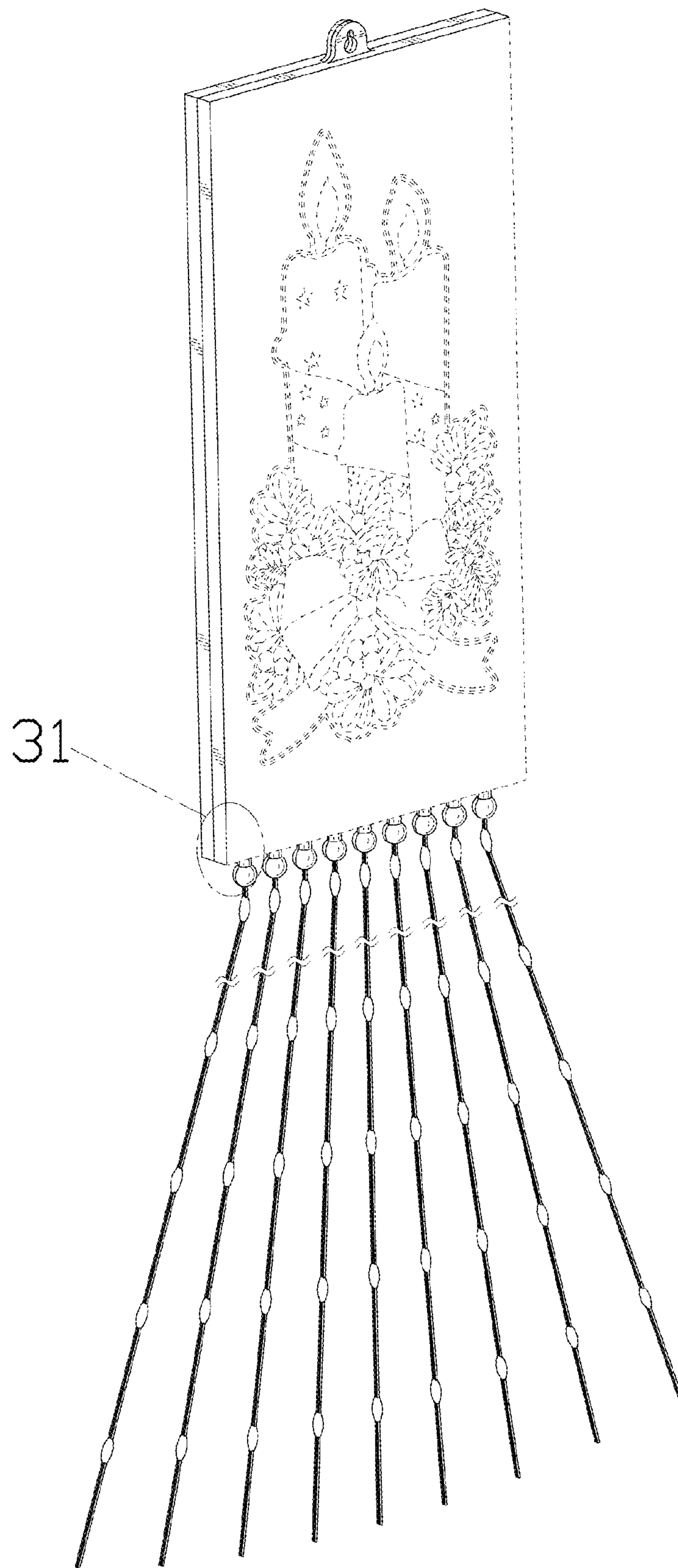


FIG. 26

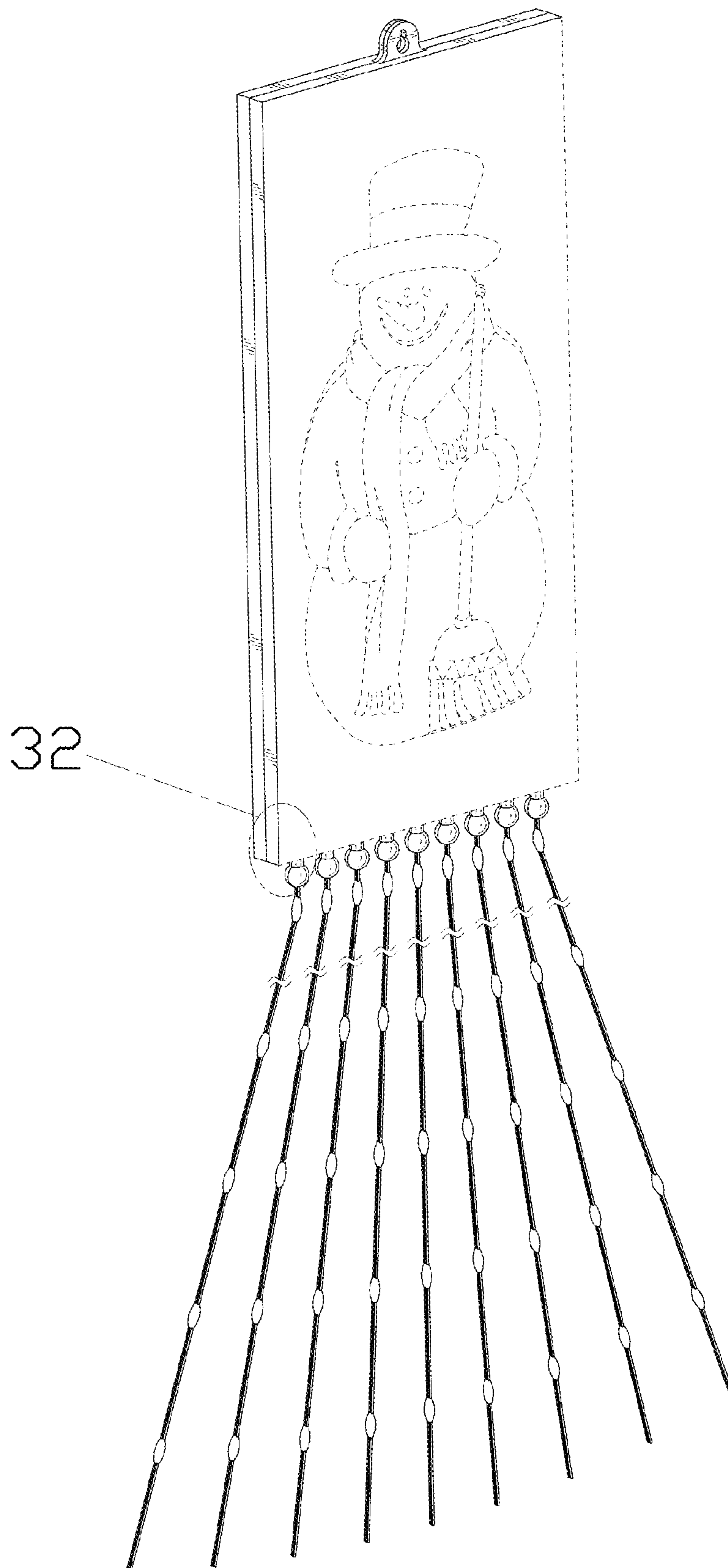


FIG. 27

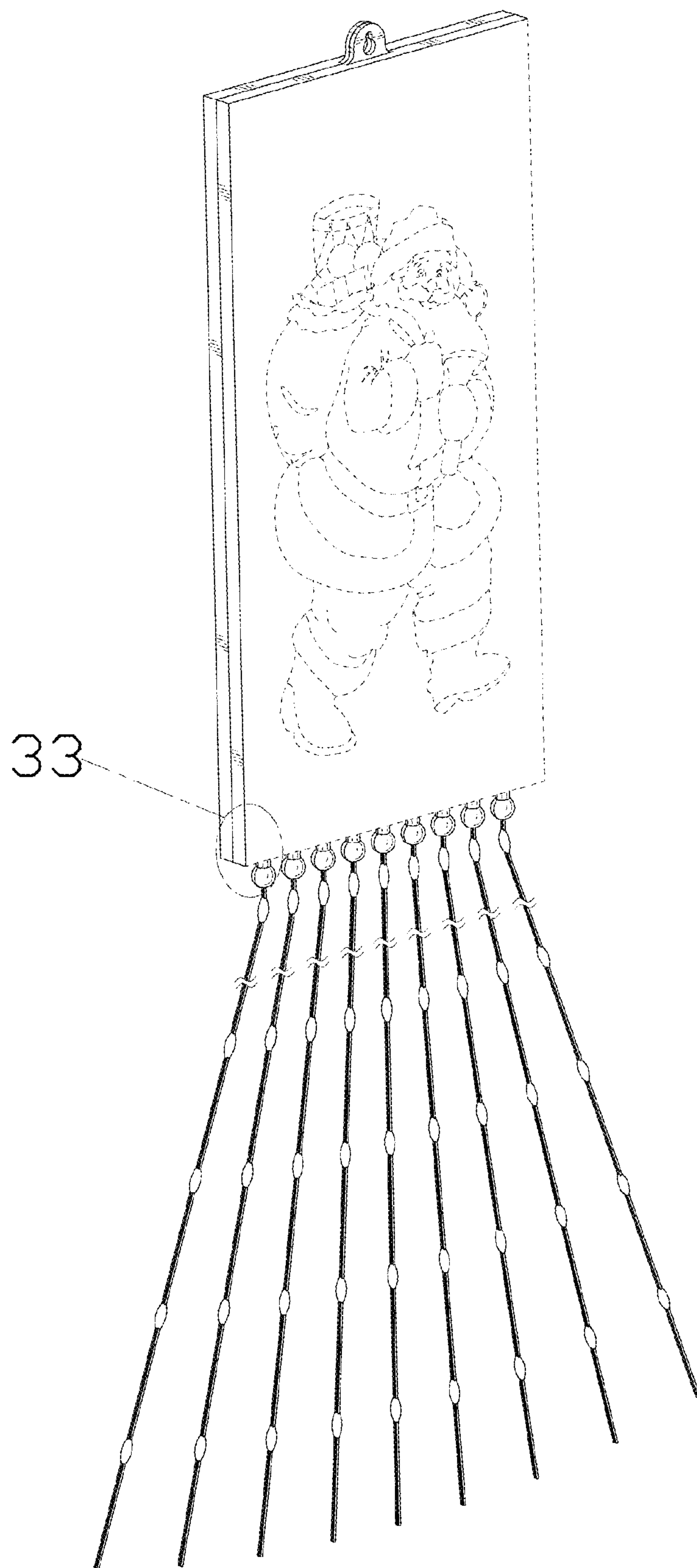


FIG. 28

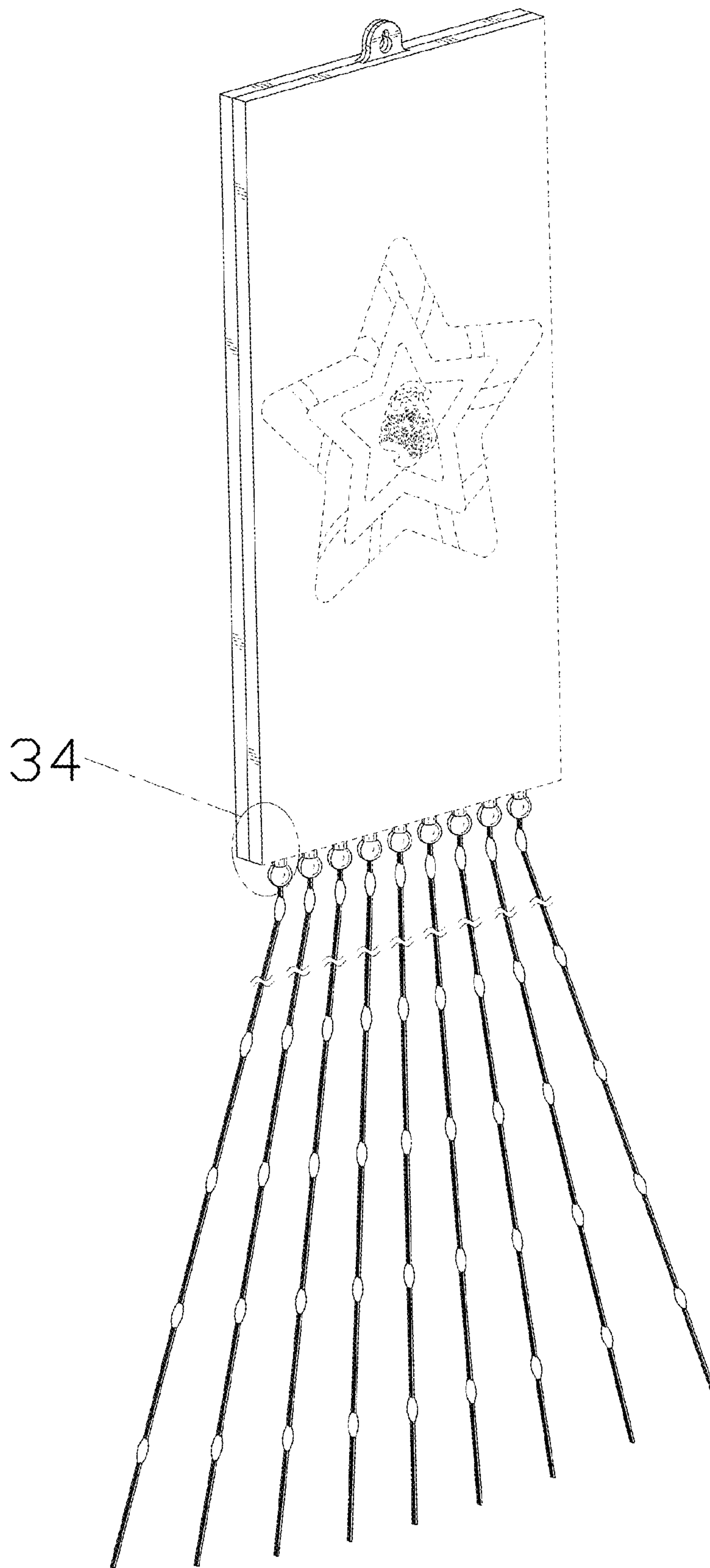


FIG. 29

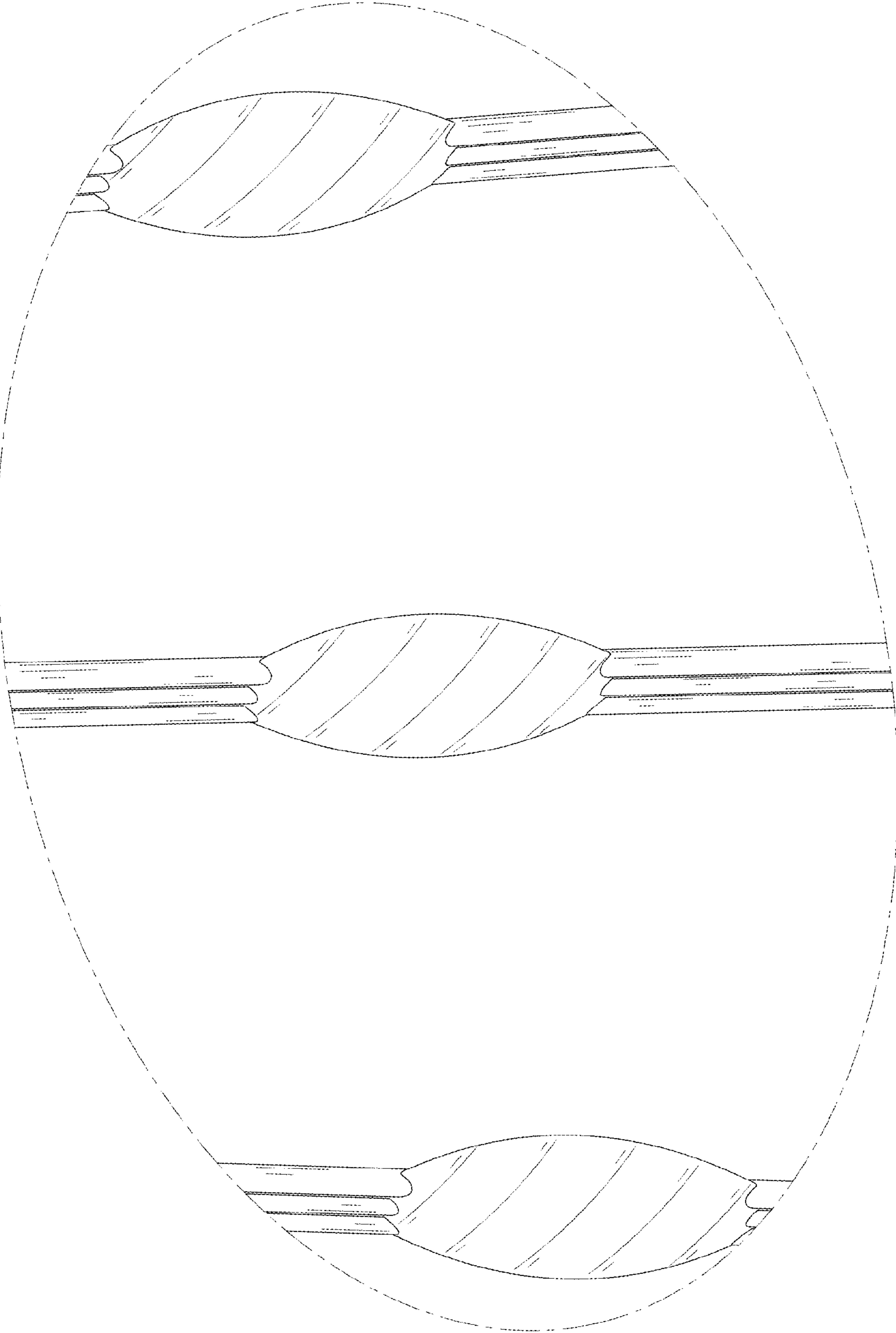


FIG. 30

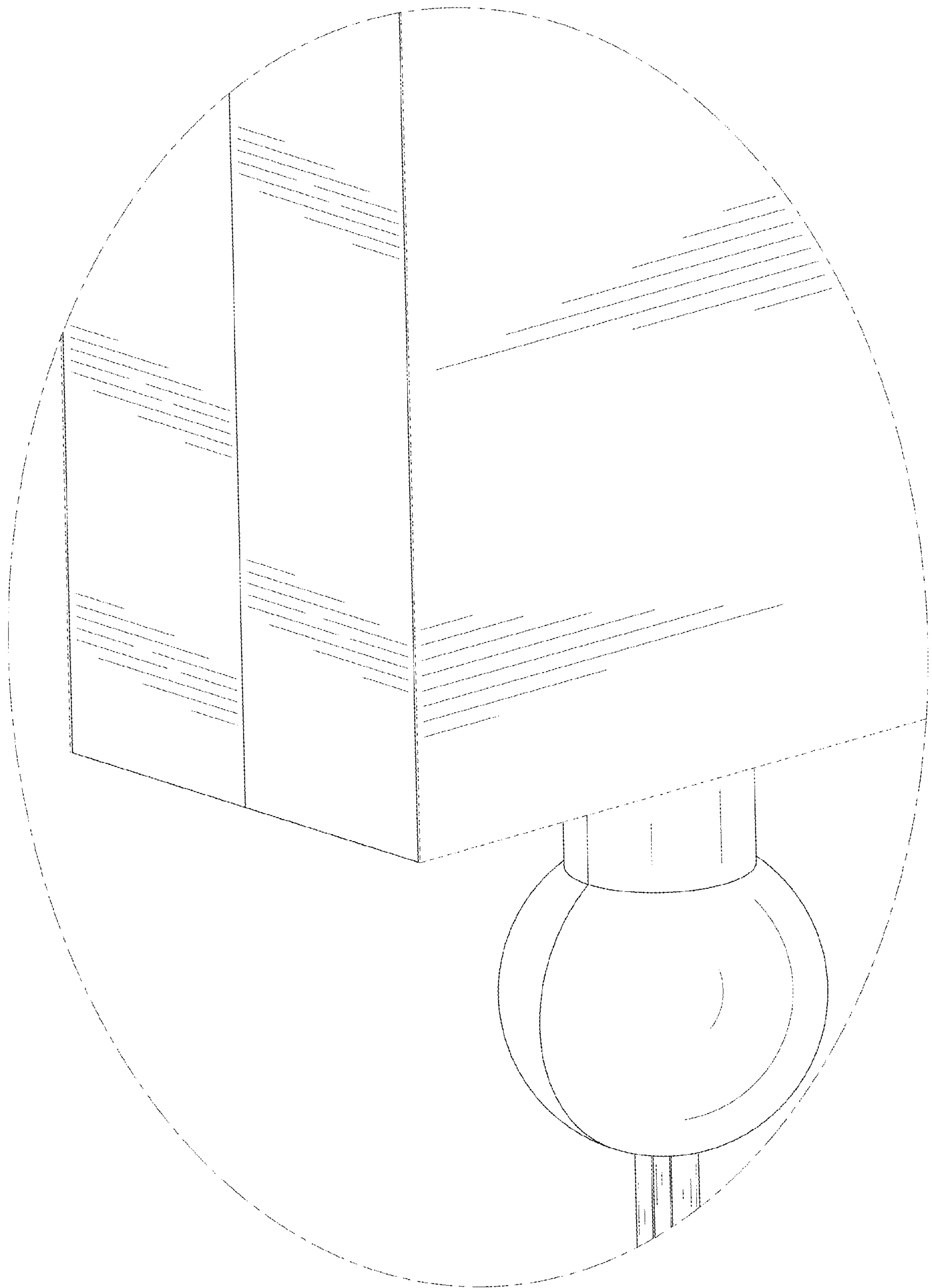


FIG. 31

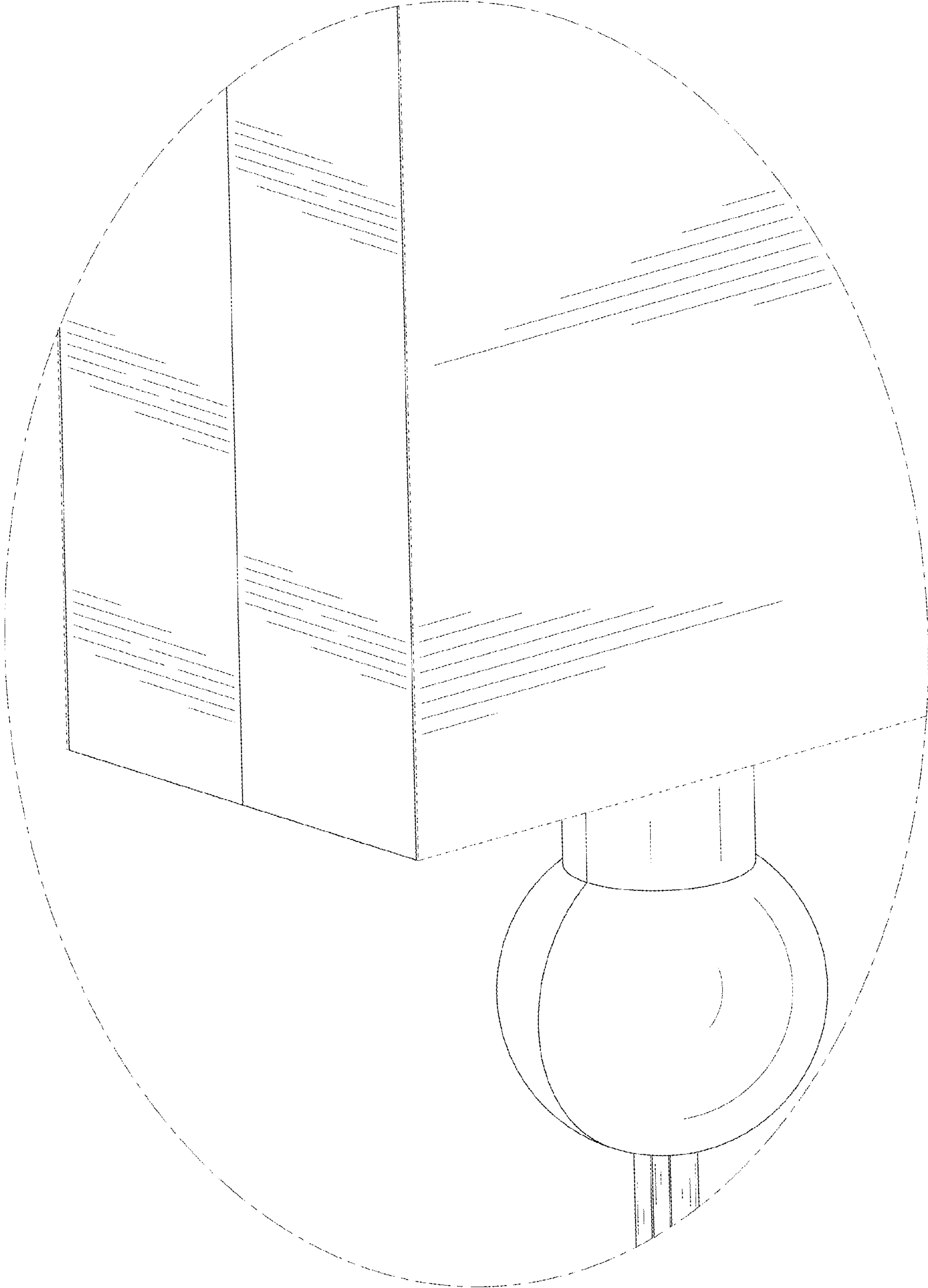


FIG. 32

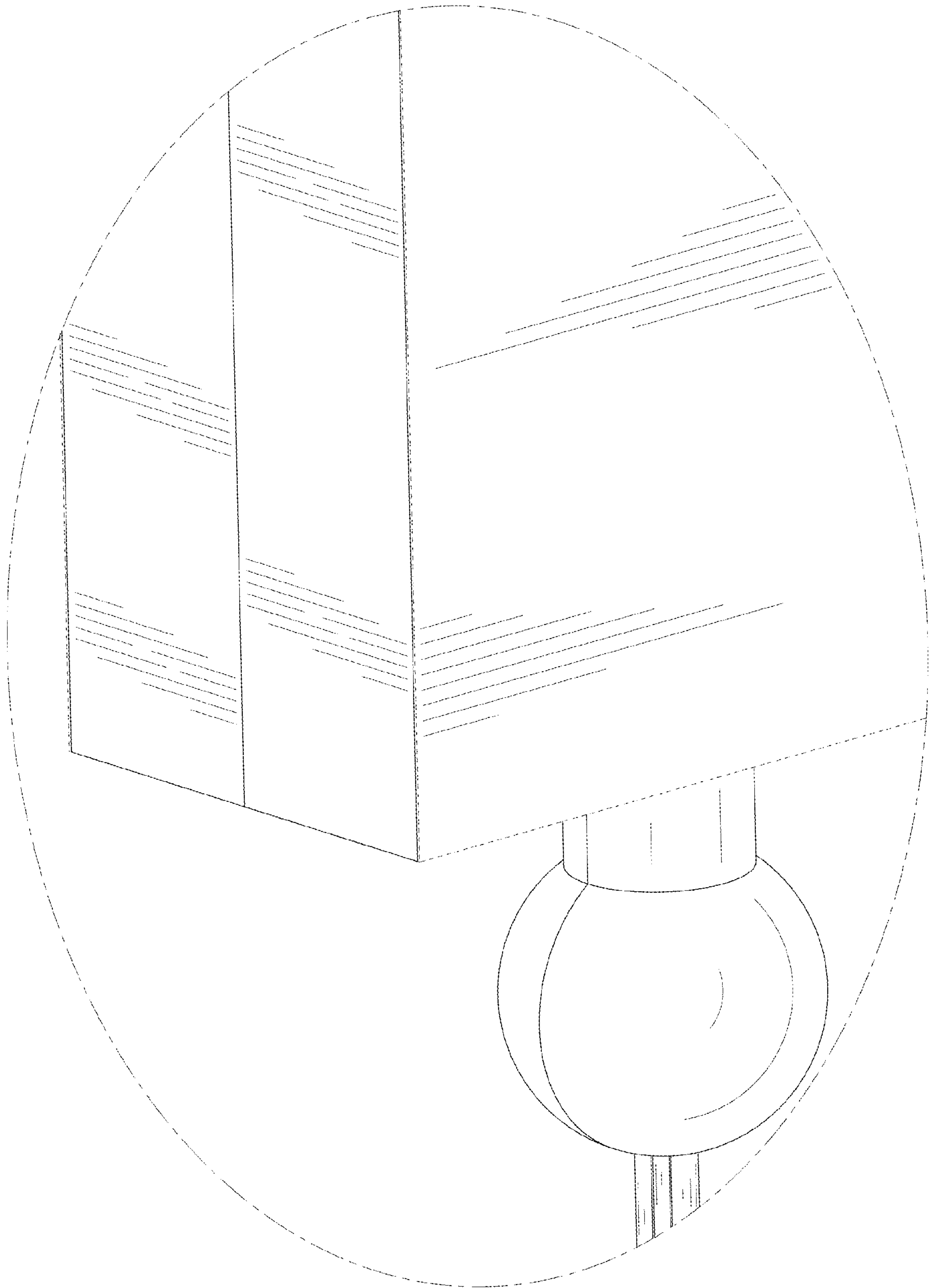


FIG. 33

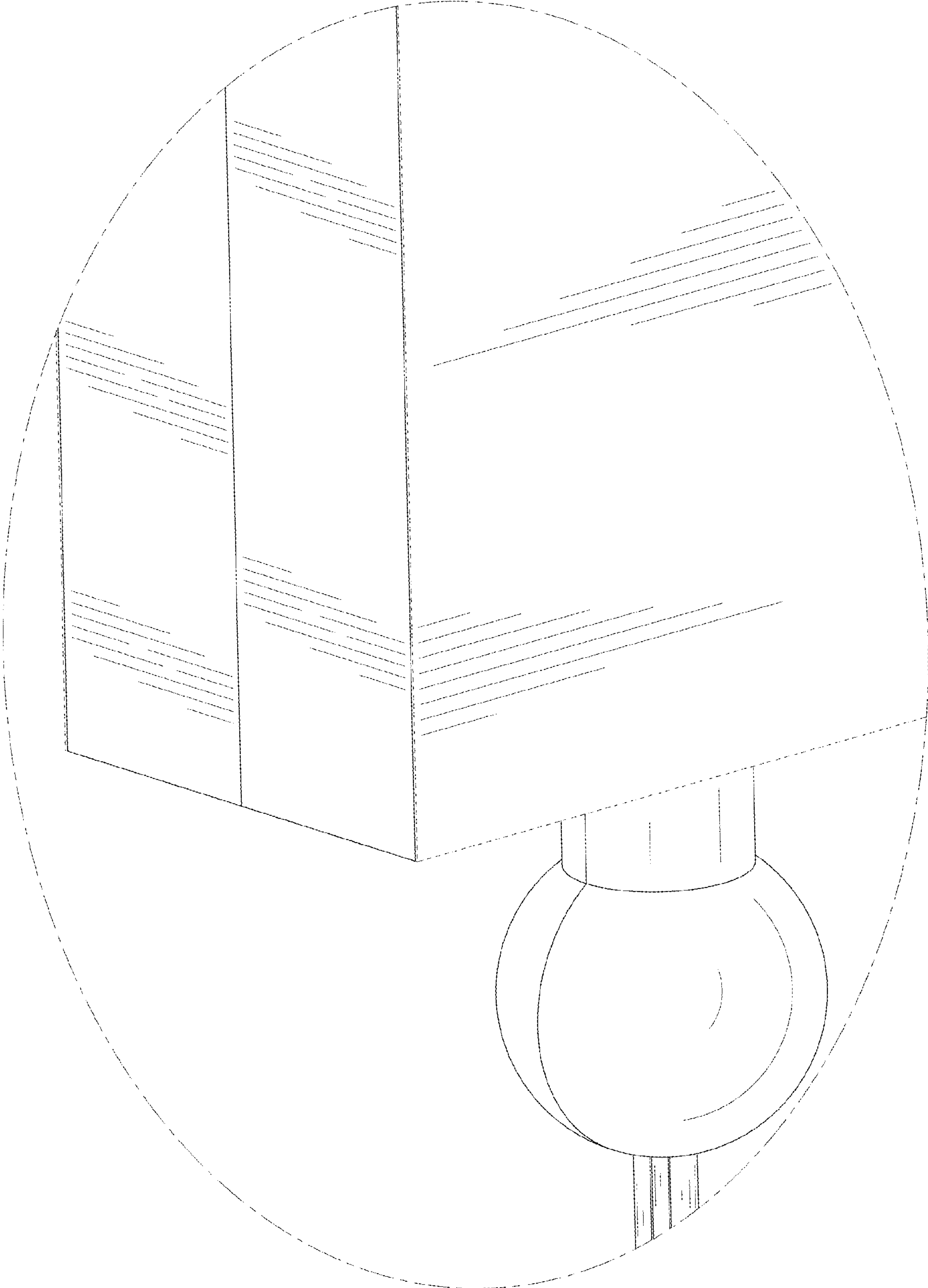


FIG. 34