



US00D971455S

(12) **United States Design Patent**  
**Zhou**

(10) **Patent No.:** **US D971,455 S**  
(45) **Date of Patent:** **\*\* Nov. 29, 2022**

(54) **LAMP**

(71) Applicant: **Zhenbin Zhou**, Linhai (CN)

(72) Inventor: **Zhenbin Zhou**, Linhai (CN)

(\*\*) Term: **15 Years**

(21) Appl. No.: **29/797,750**

(22) Filed: **Jul. 2, 2021**

(51) **LOC (13) Cl.** ..... **26-04**

(52) **U.S. Cl.**  
USPC ..... **D26/25; D11/121**

(58) **Field of Classification Search**  
USPC ..... **D26/1, 2, 24, 25, 27, 113, 118, 80;**  
**D11/121, 125, 130**

(Continued)

(56) **References Cited**

**U.S. PATENT DOCUMENTS**

D430,901 S \* 9/2000 Palmer ..... D20/43  
D468,037 S 12/2002 Jarvis

(Continued)

**FOREIGN PATENT DOCUMENTS**

DE 4020212026420001 \* 10/2021  
DE 4020212026420002 \* 10/2021

(Continued)

**OTHER PUBLICATIONS**

Lofter—pro Christmas Decoration LED String Lights, Oct. 28,  
2020, Amazon.com, site visited Sep. 23, 2022, url: (Year: 2020).\*

(Continued)

*Primary Examiner* — T Chase Nelson

*Assistant Examiner* — Rachel Wolfe

(57) **CLAIM**

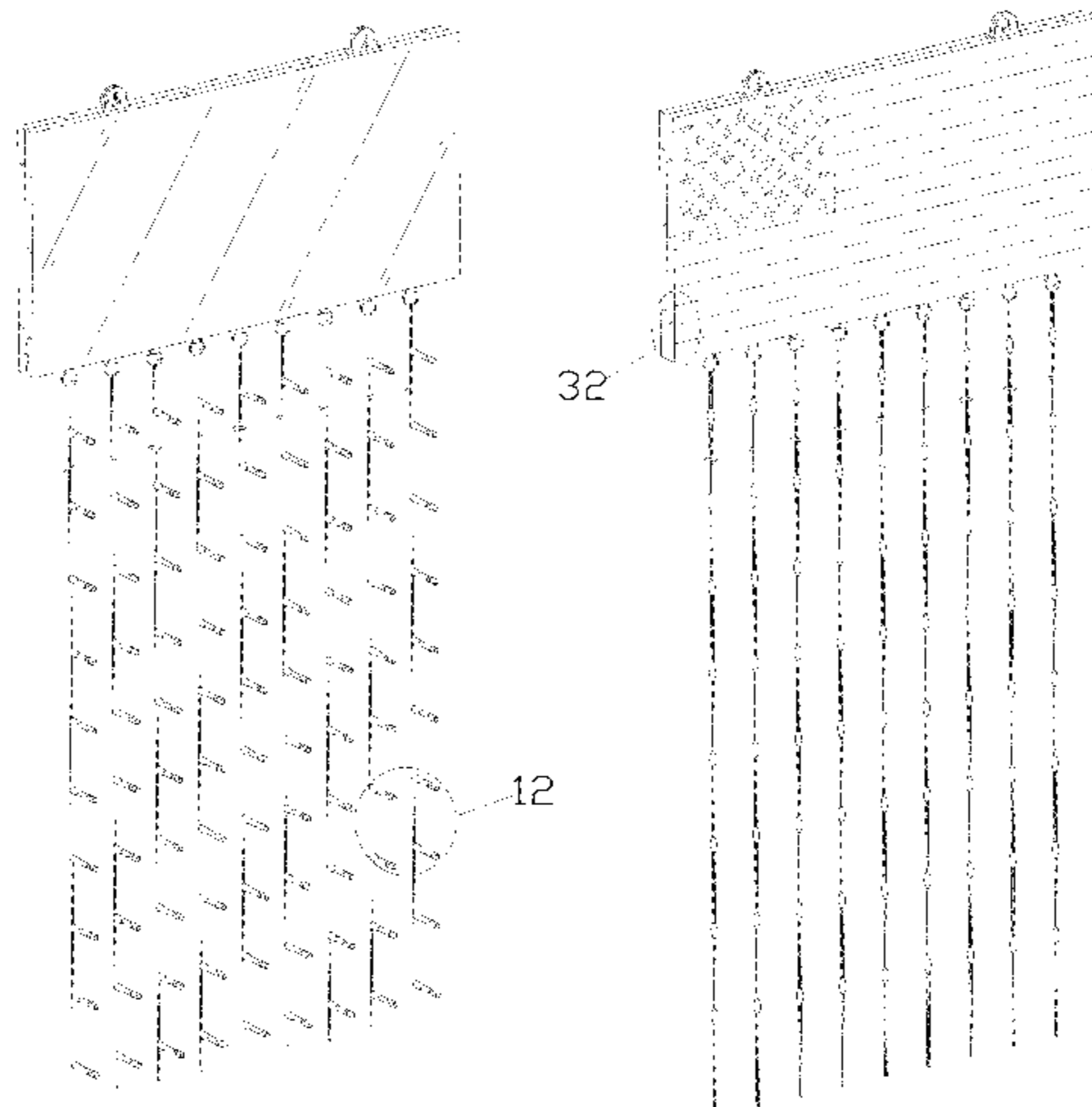
The ornamental design for a lamp, as shown and described.

**DESCRIPTION**

FIG. 1 is a perspective view of a first embodiment of a lamp showing my new design;

FIG. 2 is another perspective view thereof;  
FIG. 3 is a front elevational view thereof;  
FIG. 4 is a rear elevational view thereof;  
FIG. 5 is a left side elevational view thereof;  
FIG. 6 is a right side elevational view thereof;  
FIG. 7 is a top plan view thereof;  
FIG. 8 is a bottom plan view thereof;  
FIG. 9 is a perspective view of the first embodiment of the lamp where the lamp is in a first configuration of use;  
FIG. 10 is a perspective view of the first embodiment of the lamp where the lamp is in a second configuration of use;  
FIG. 11 is a perspective view of the first embodiment of the lamp where the lamp is in a third configuration of use;  
FIG. 12 is an enlarged view of portion 12 shown in FIG. 1;  
FIG. 13 is an enlarged view of portion 13 shown in FIG. 5;  
FIG. 14 is an enlarged view of portion 14 shown in FIG. 9;  
FIG. 15 is an enlarged view of portion 15 shown in FIG. 10;  
FIG. 16 is an enlarged view of portion 16 shown in FIG. 11;  
FIG. 17 is a perspective view of a second embodiment of the lamp showing my new design;  
FIG. 18 is another perspective view thereof;  
FIG. 19 is a front elevational view thereof;  
FIG. 20 is a rear elevational view thereof;  
FIG. 21 is a left side elevational view thereof;  
FIG. 22 is a right side elevational view thereof;  
FIG. 23 is a top plan view thereof;  
FIG. 24 is a bottom plan view thereof;  
FIG. 25 is a perspective view of the second embodiment of the lamp where the lamp is in a first configuration of use;  
FIG. 26 is a perspective view of the second embodiment of the lamp where the lamp is in a second configuration of use;  
FIG. 27 is a perspective view of the second embodiment of the lamp where the lamp is in a third configuration of use;  
FIG. 28 is an enlarged view of portion 28 shown in FIG. 17;  
FIG. 29 is an enlarged view of portion 29 shown in FIG. 21;  
FIG. 30 is an enlarged view of portion 30 shown in FIG. 25;  
FIG. 31 is an enlarged view of portion 31 shown in FIG. 26;  
and,  
FIG. 32 is an enlarged view of portion 32 shown in FIG. 27.  
The broken lines in the drawings depict portions of the lamp that form no part of the claimed design. The broken lines of alternating length in the drawings are for the purpose of illustrating the boundaries of the enlarged fragments shown in FIGS. 12-16 and 28-32. The lamp is shown with symbolic

(Continued)



breaks in its length, and the appearance of any portion of the lamp between the break lines forms no part of the claimed design.

1 Claim, 32 Drawing Sheets

(58) Field of Classification Search

CPC ..... F21S 4/00; F21S 4/10; F21S 4/15; F21S 4/20; F21K 9/00; F21W 2121/00; F21W 2121/04

See application file for complete search history.

(56) References Cited

U.S. PATENT DOCUMENTS

D489,071 S \* 4/2004 Nishioka ..... D26/1
D824,560 S 7/2018 Qiu
D833,054 S 11/2018 Lovegrove
D865,266 S 10/2019 De Bevilacqua et al.
D880,022 S \* 3/2020 Gong ..... D26/25
D885,617 S \* 5/2020 Li ..... D26/25
D910,889 S \* 2/2021 Zhou ..... D26/25
D917,083 S \* 4/2021 Zhou ..... D26/25
D917,084 S \* 4/2021 Zhou ..... D26/25
D917,741 S \* 4/2021 Kuang ..... D26/25
D921,936 S \* 6/2021 Zhou ..... D26/25

D925,783 S \* 7/2021 Xiao ..... D26/25
D928,023 S \* 8/2021 Haller ..... D6/300
D935,681 S \* 11/2021 Gong ..... D26/81
D936,513 S \* 11/2021 Haller ..... D6/300
D938,627 S \* 12/2021 Li ..... D26/25
D950,113 S \* 4/2022 Zhou ..... D11/125
D952,200 S \* 5/2022 Zhou ..... D11/124
D957,697 S \* 7/2022 Wang ..... D26/25
D957,698 S \* 7/2022 Wang ..... D26/25
D962,494 S \* 8/2022 Zheng ..... D26/1
D962,496 S \* 8/2022 Yu ..... D11/121
D962,497 S \* 8/2022 Yu ..... D11/121
D962,498 S \* 8/2022 Zhou ..... D26/25
D963,902 S \* 9/2022 Wang ..... D26/25
2002/0176252 A1 \* 11/2002 Pan ..... F21S 4/10 362/249.01

FOREIGN PATENT DOCUMENTS

GB 6146062 \* 7/2021
GB 6146063 \* 7/2021

OTHER PUBLICATIONS

Muyun Waterfall Christmas String Lights, Nov. 20, 2020, Amazon.com, site visited Mar. 7, 2022, url: (Year: 2020).\*
Qulist Color Changing Christmas Lights, Jun. 28, 2021, Amazon.com, site visited Mar. 9, 2022, url: (Year: 2021).\*

\* cited by examiner

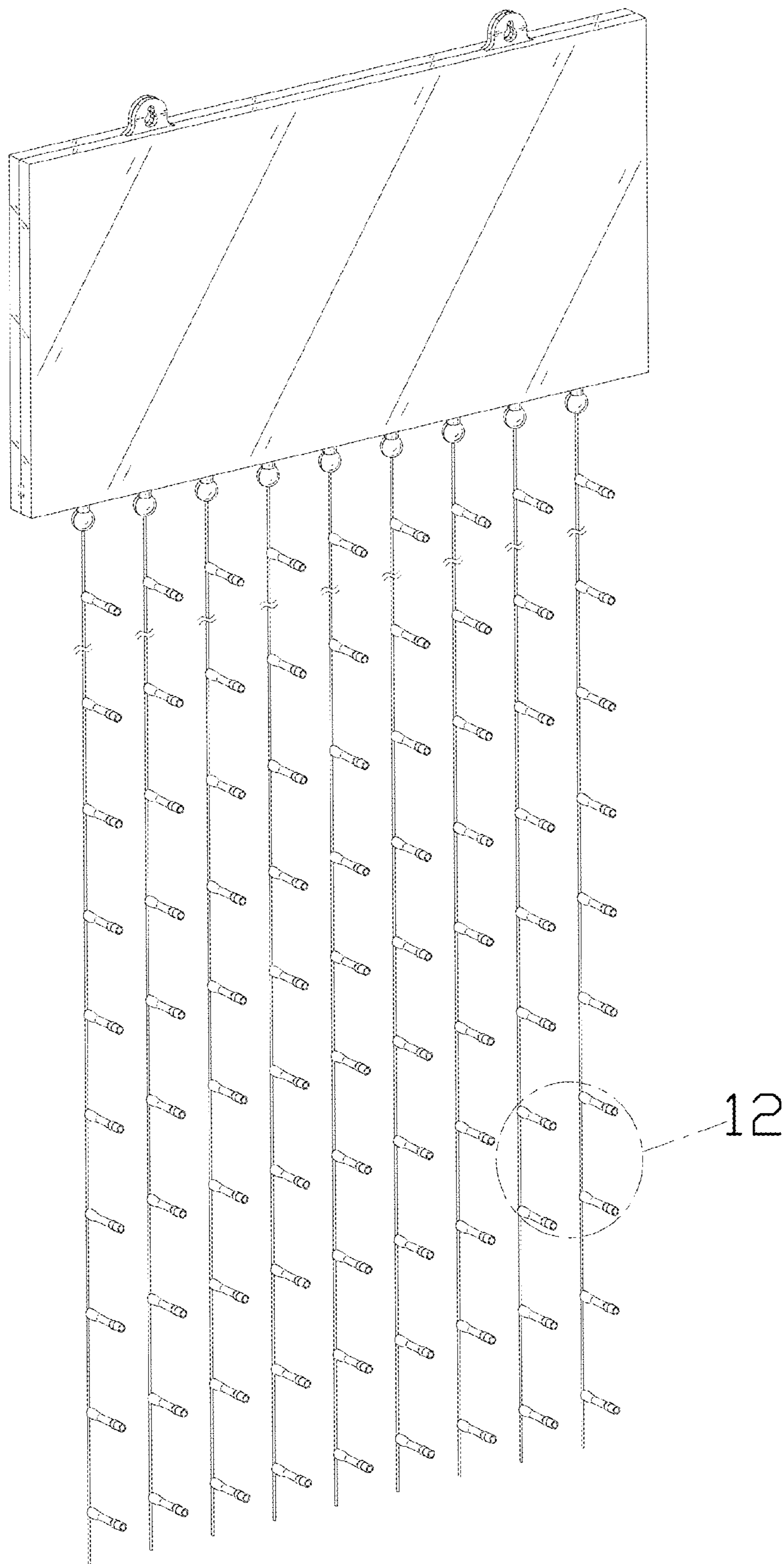


FIG. 1

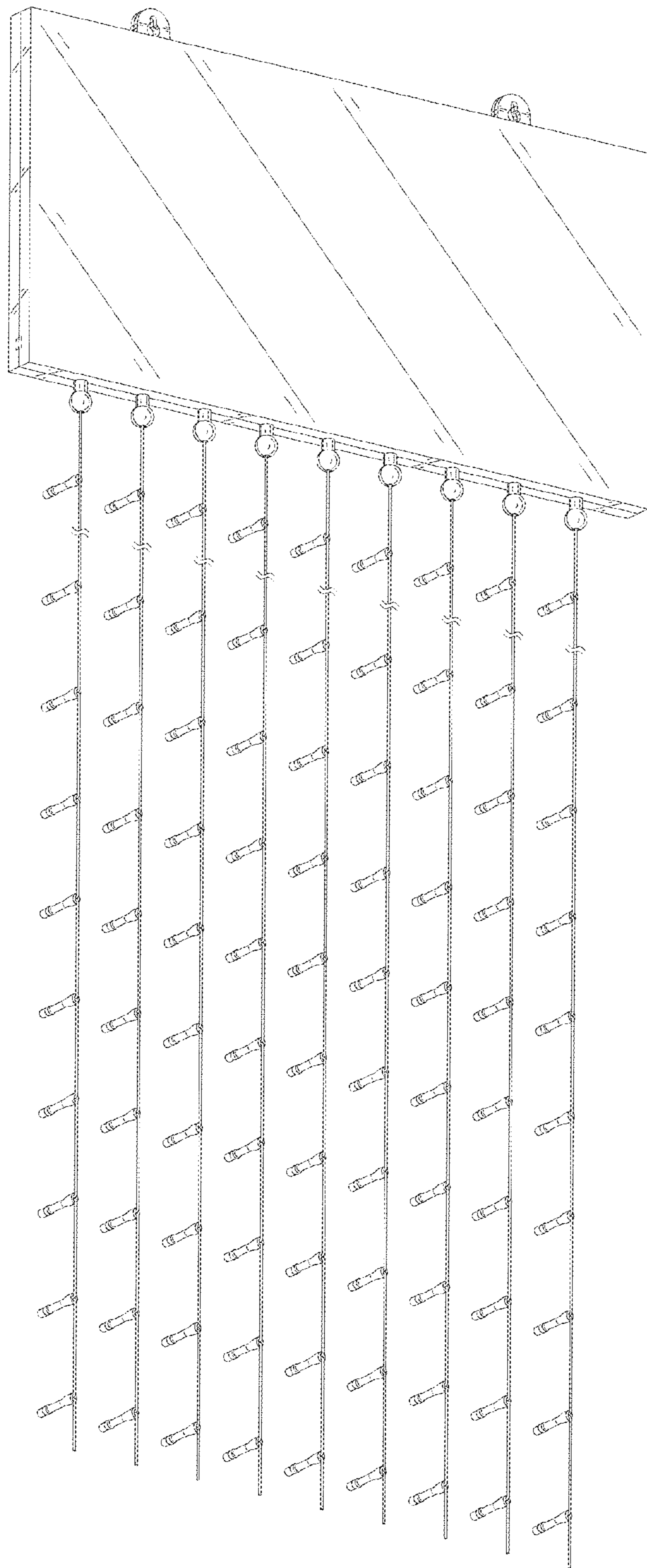


FIG. 2

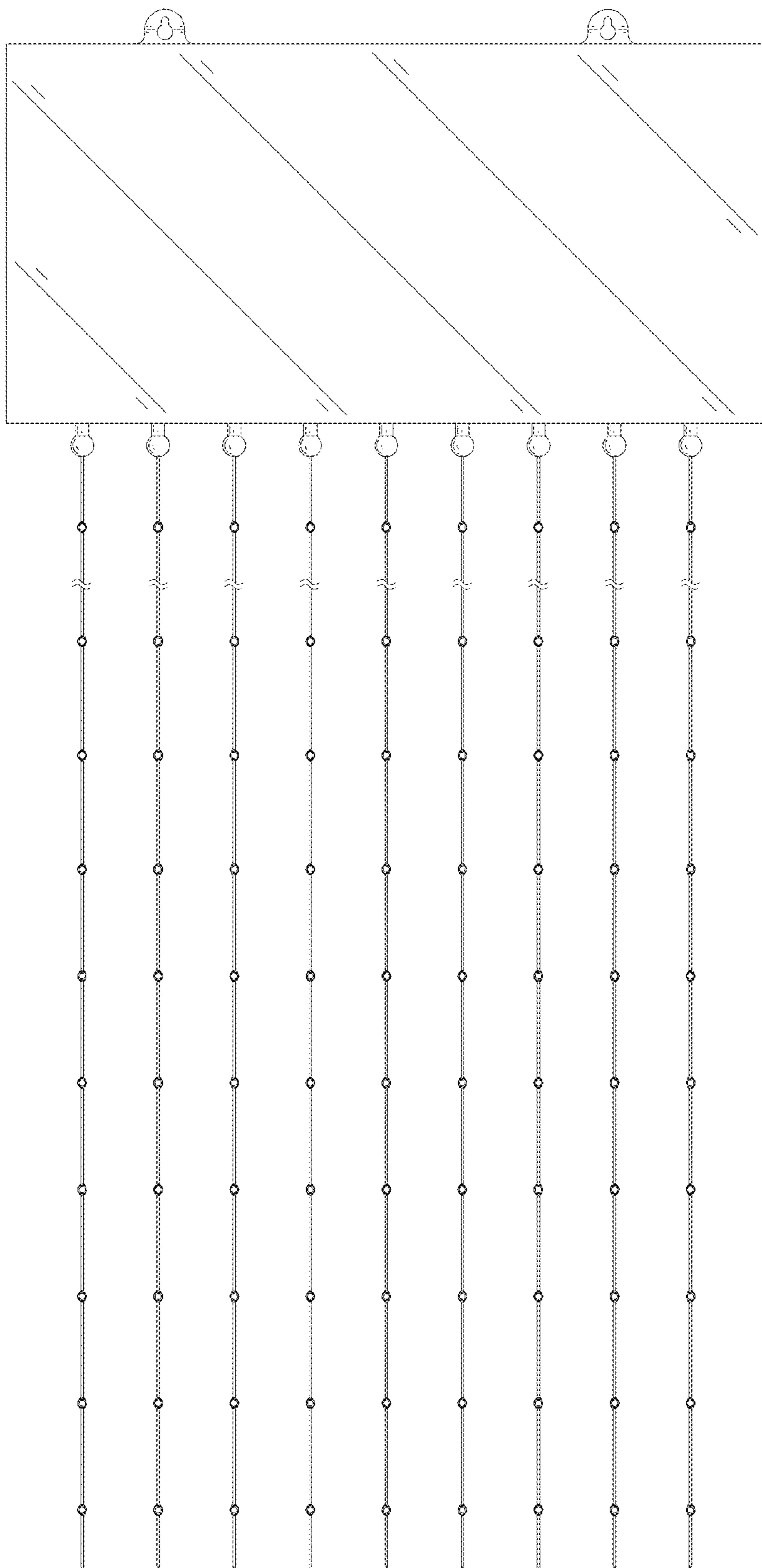


FIG. 3

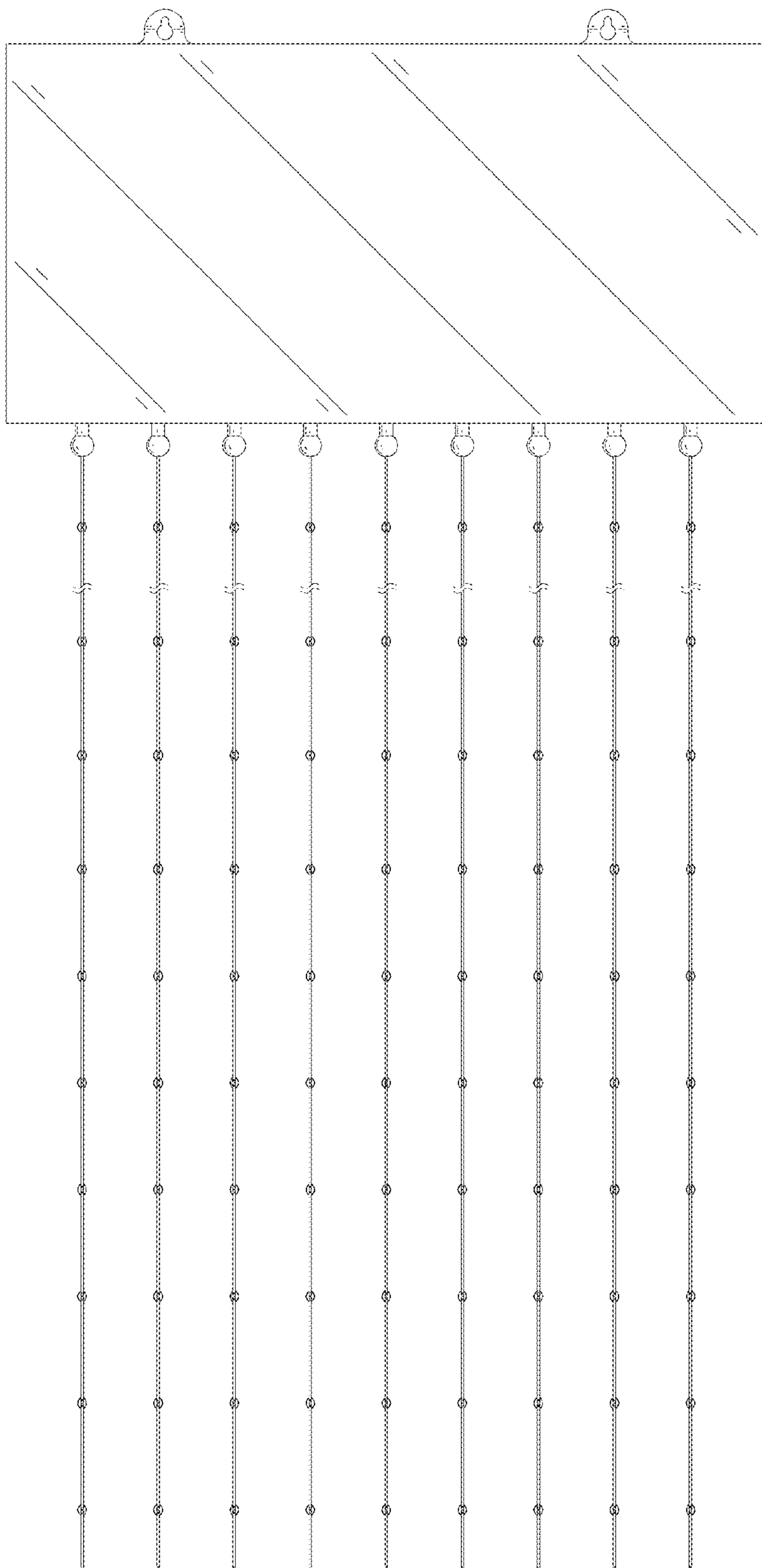


FIG. 4

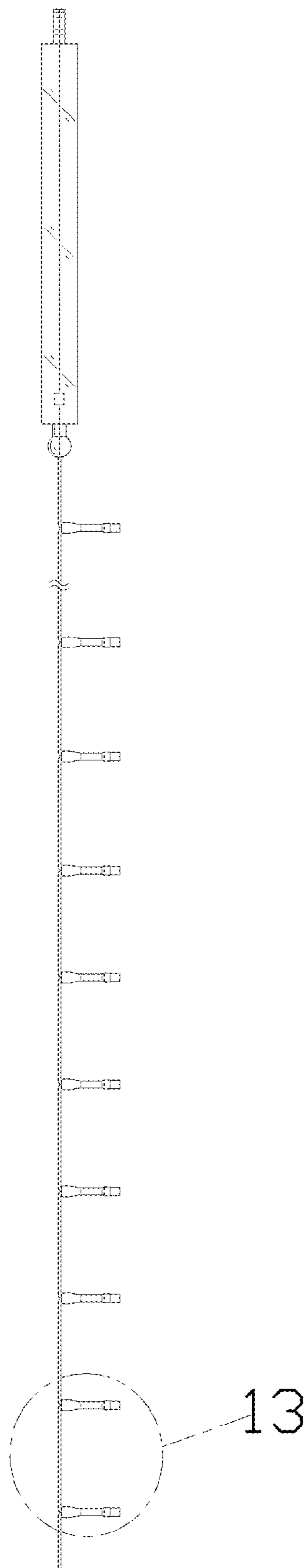


FIG. 5

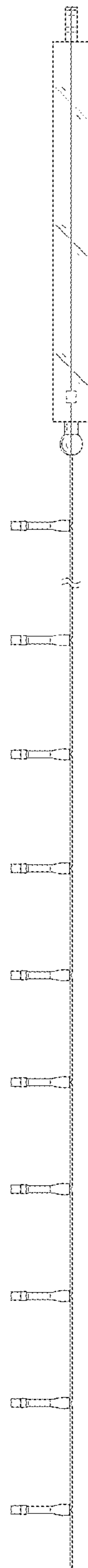


FIG. 6



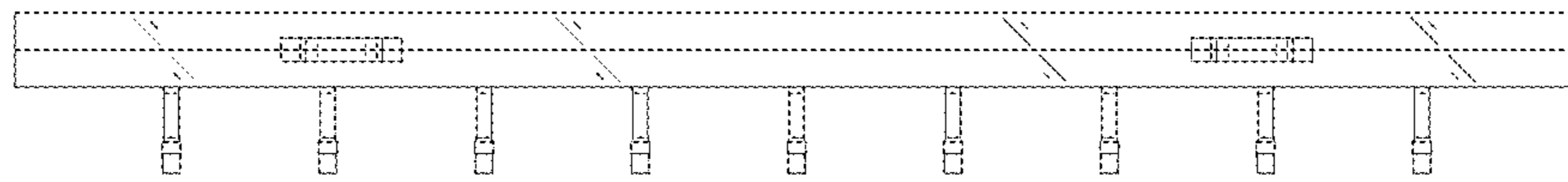


FIG. 7

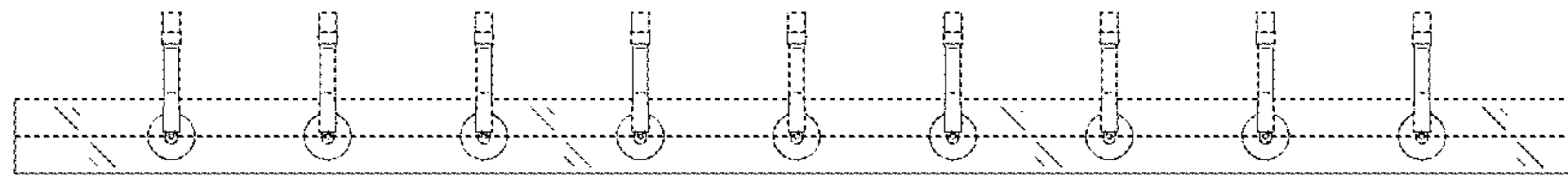


FIG. 8

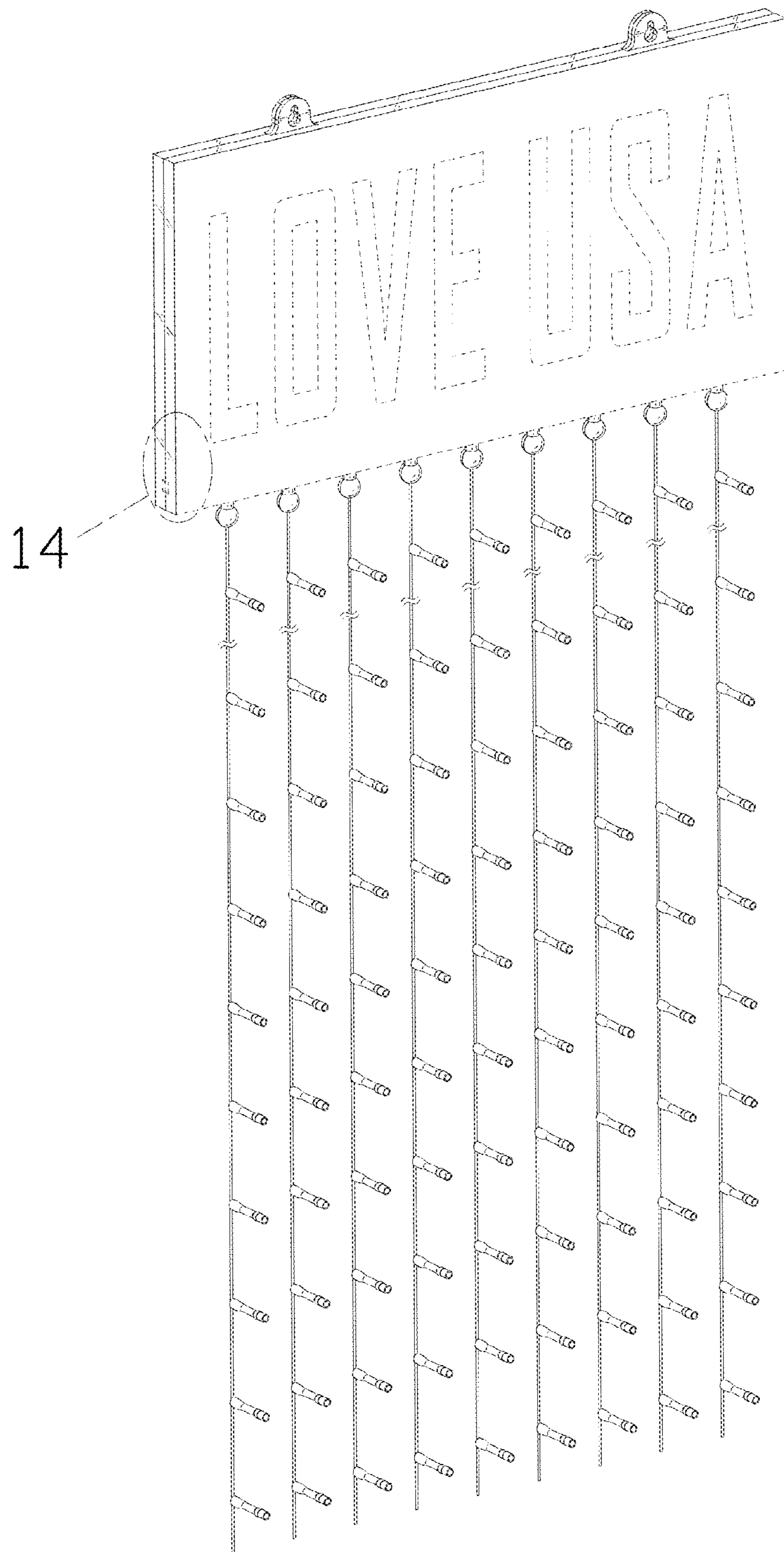


FIG. 9

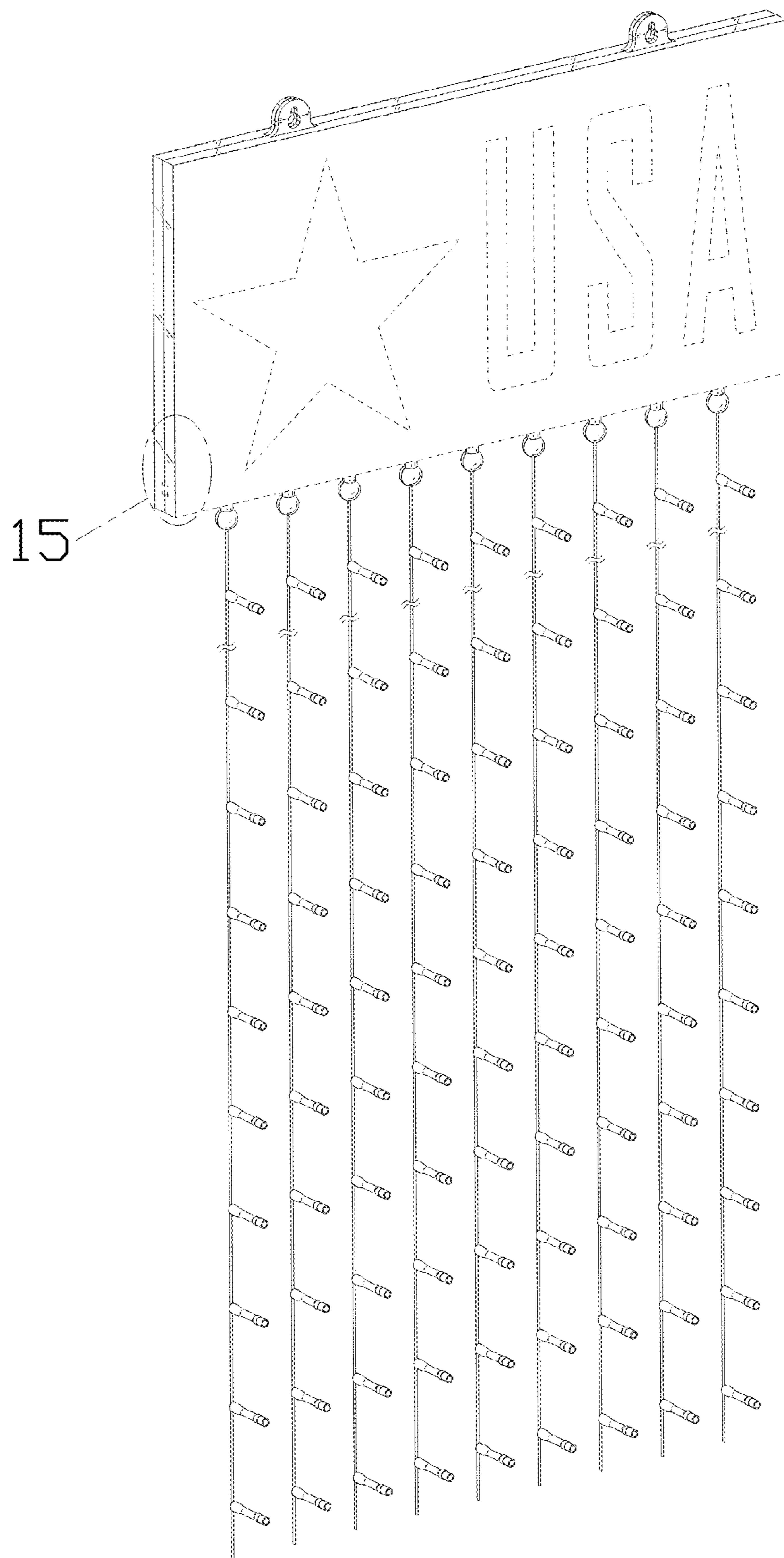


FIG. 10

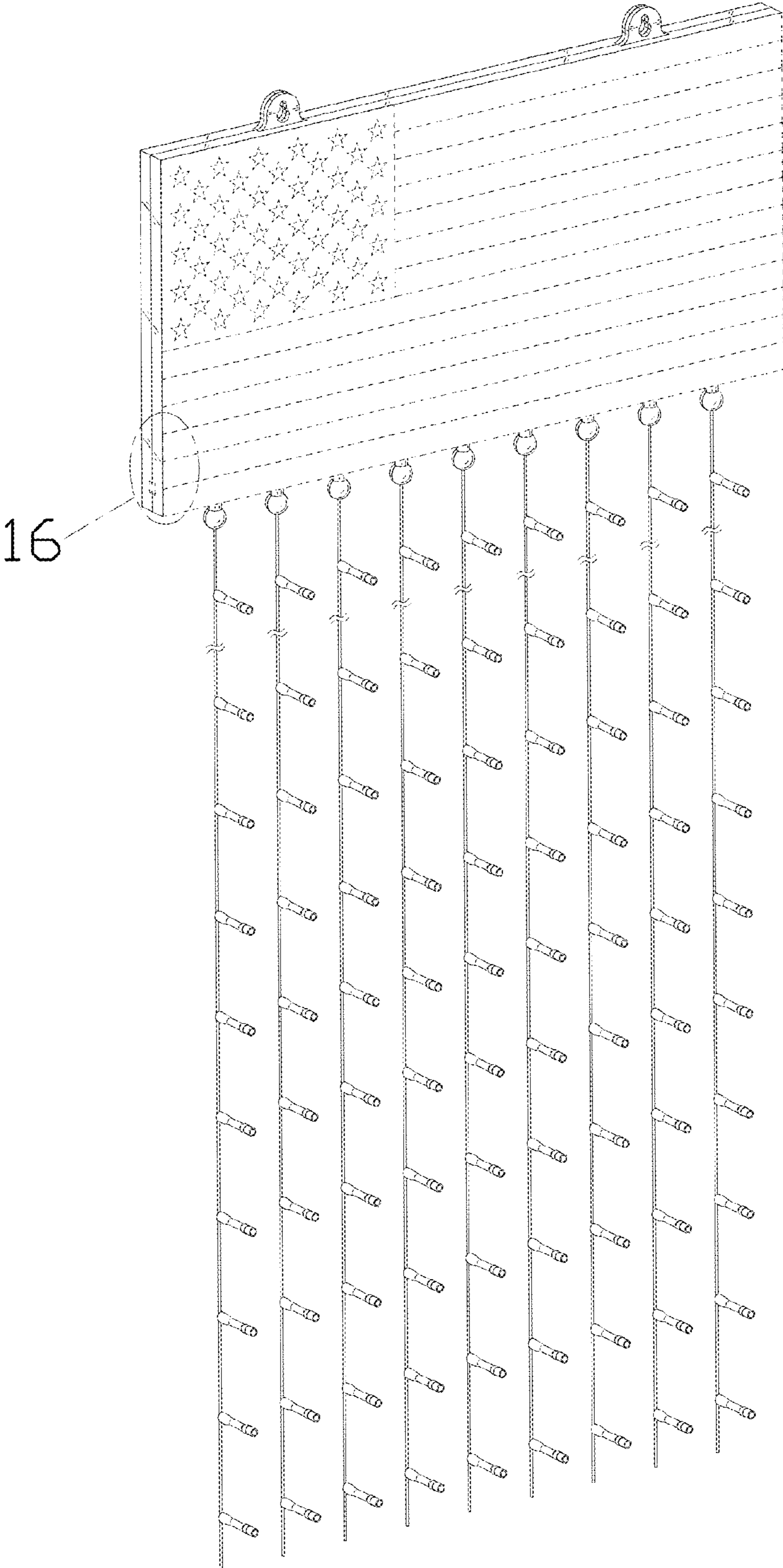


FIG. 11

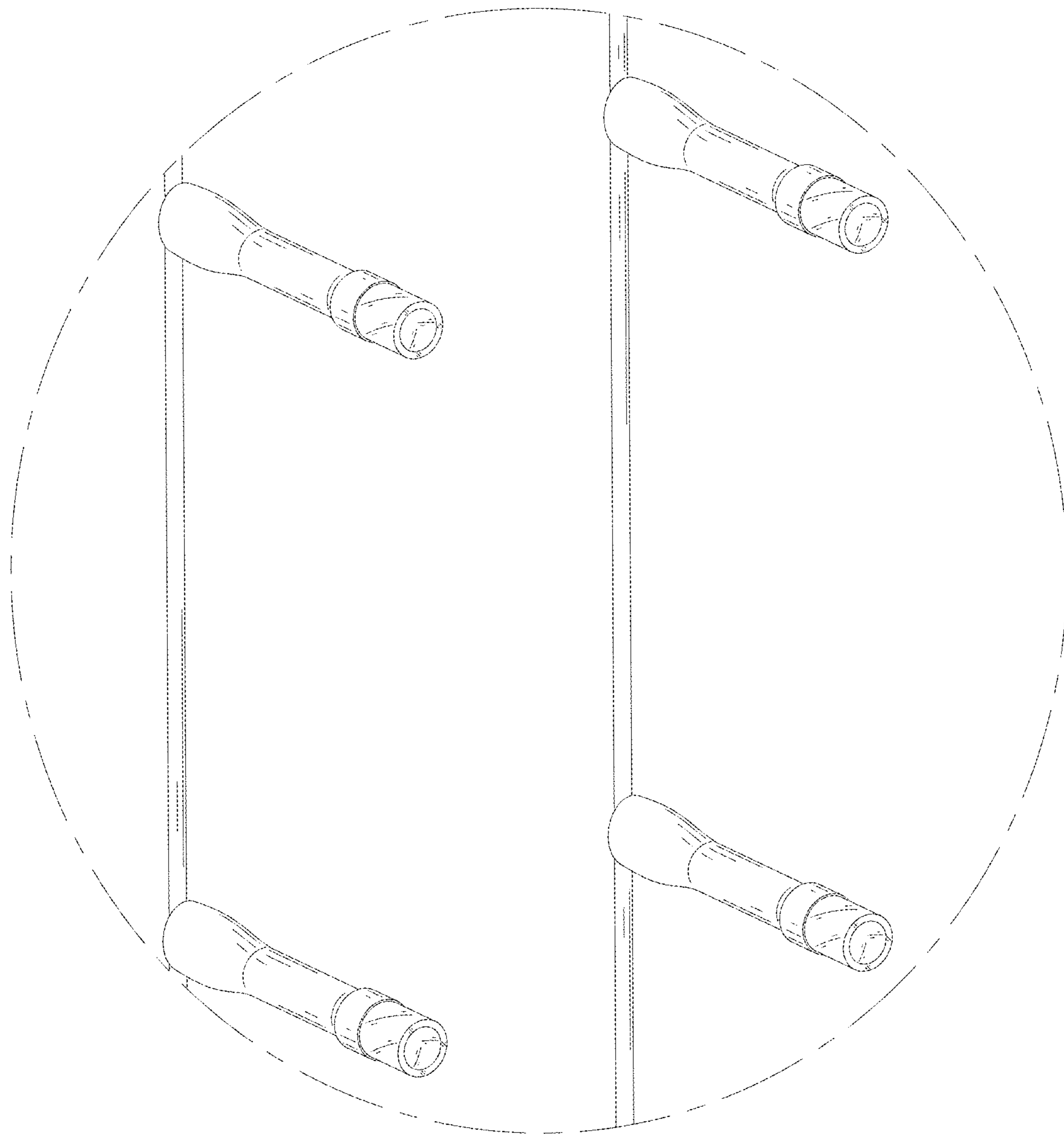


FIG. 12

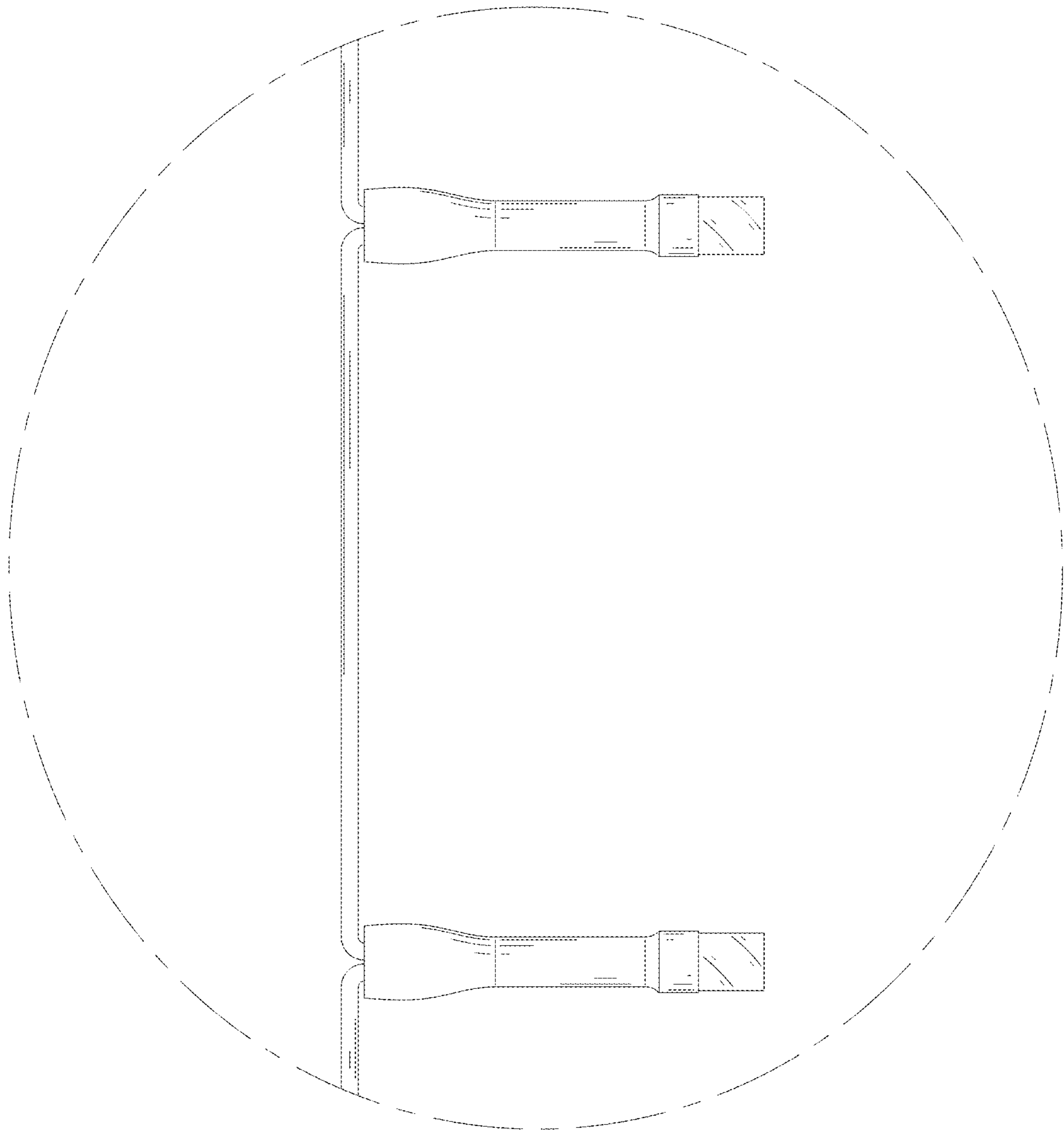


FIG. 13

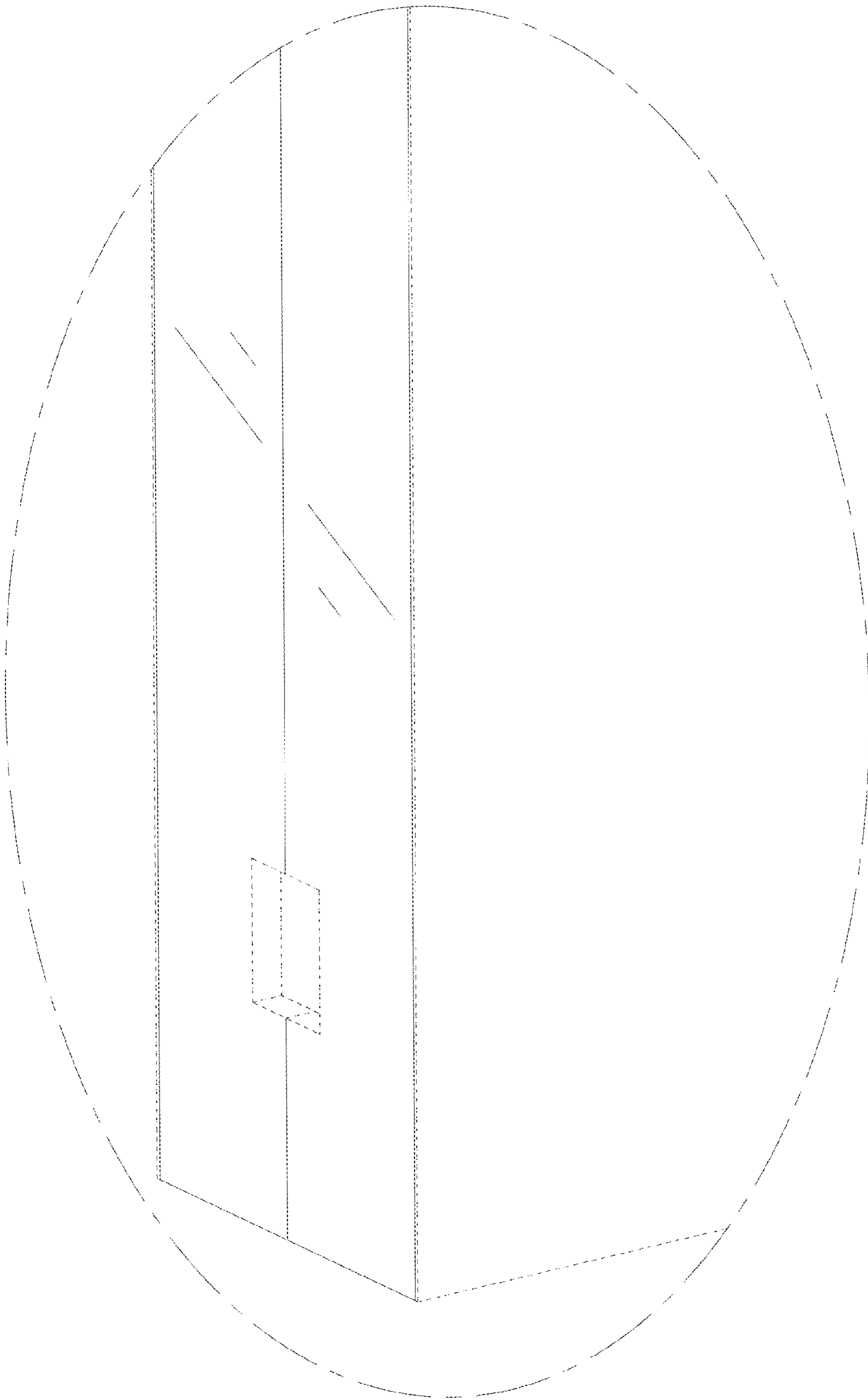


FIG. 14



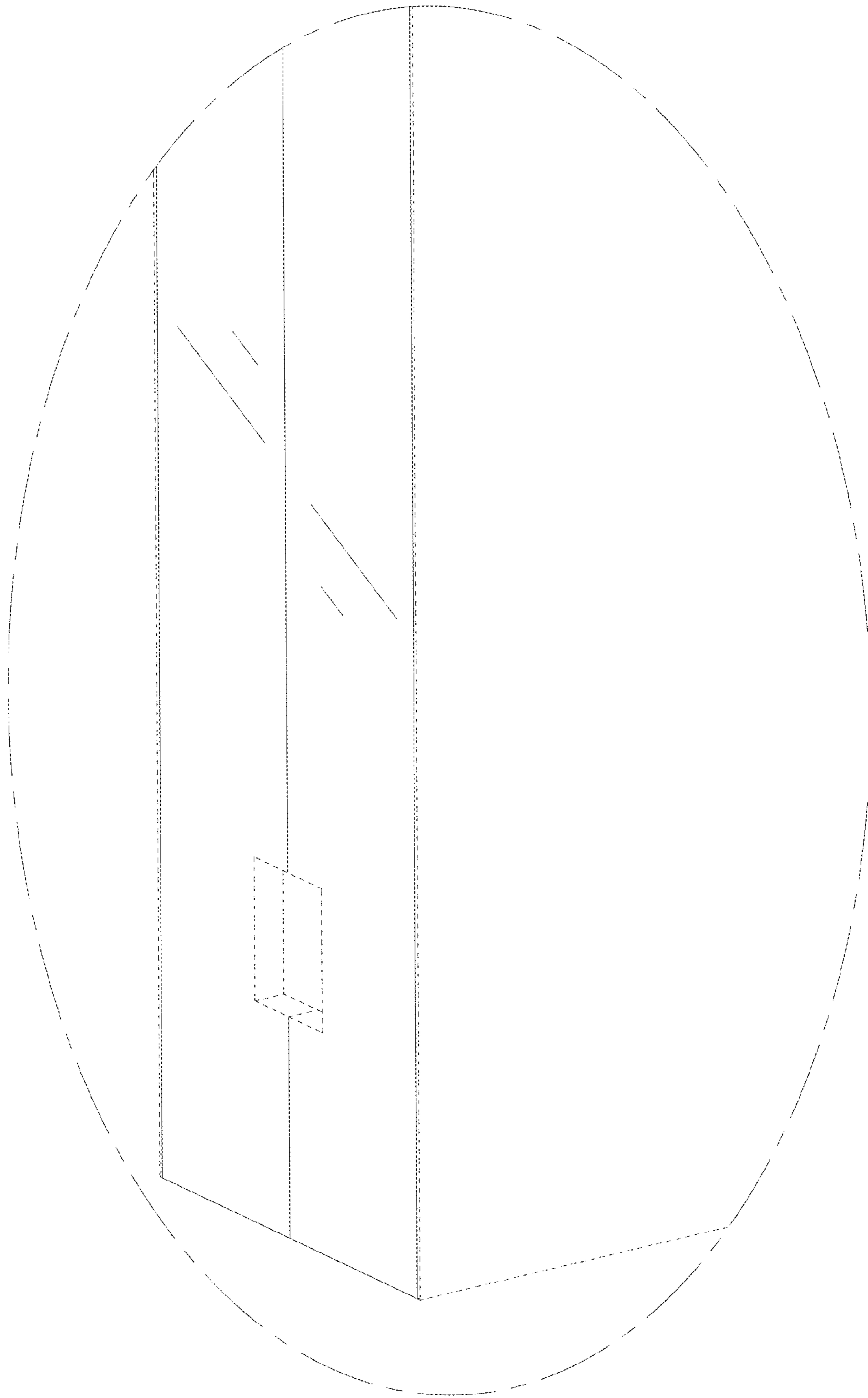


FIG. 15

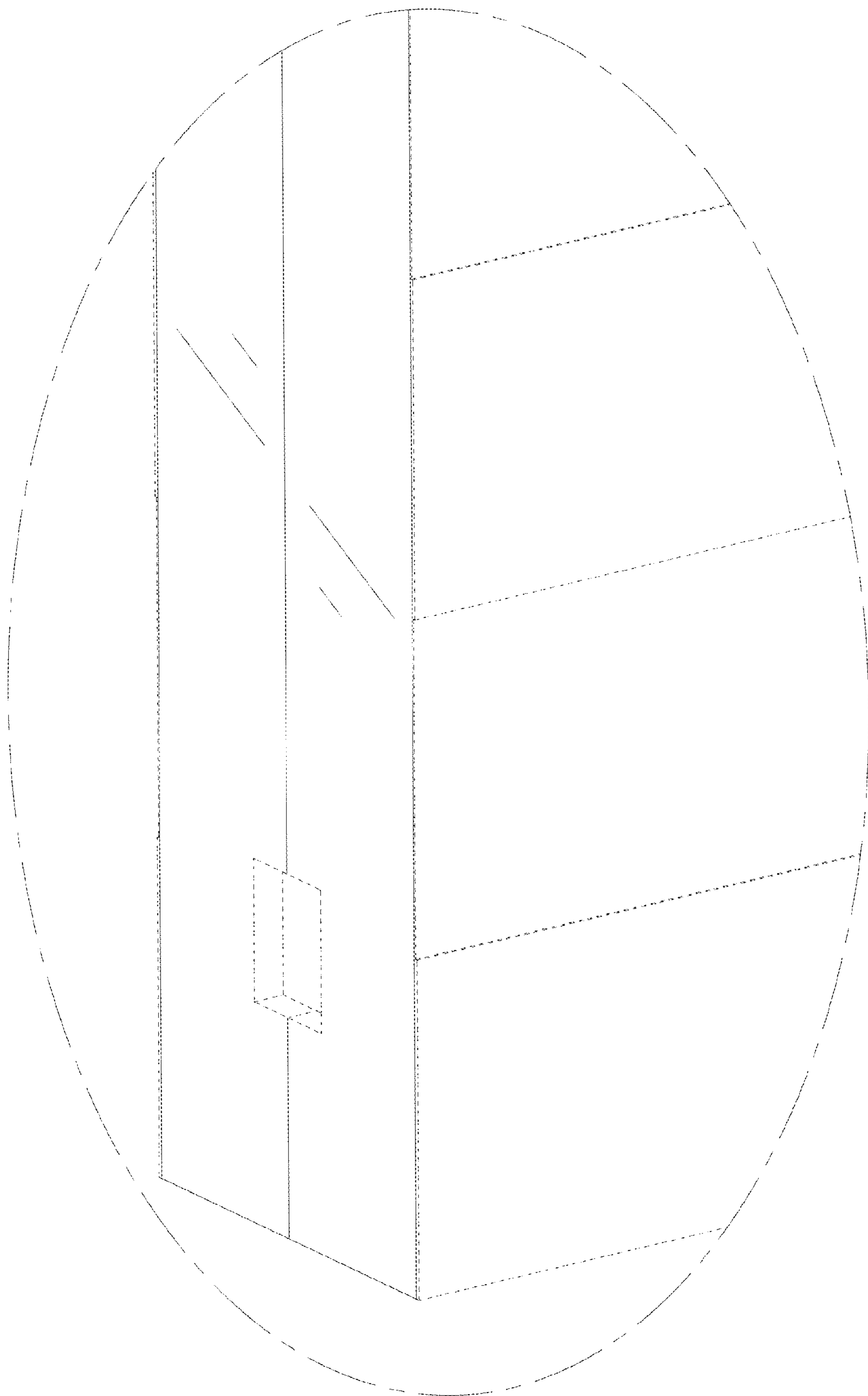


FIG. 16

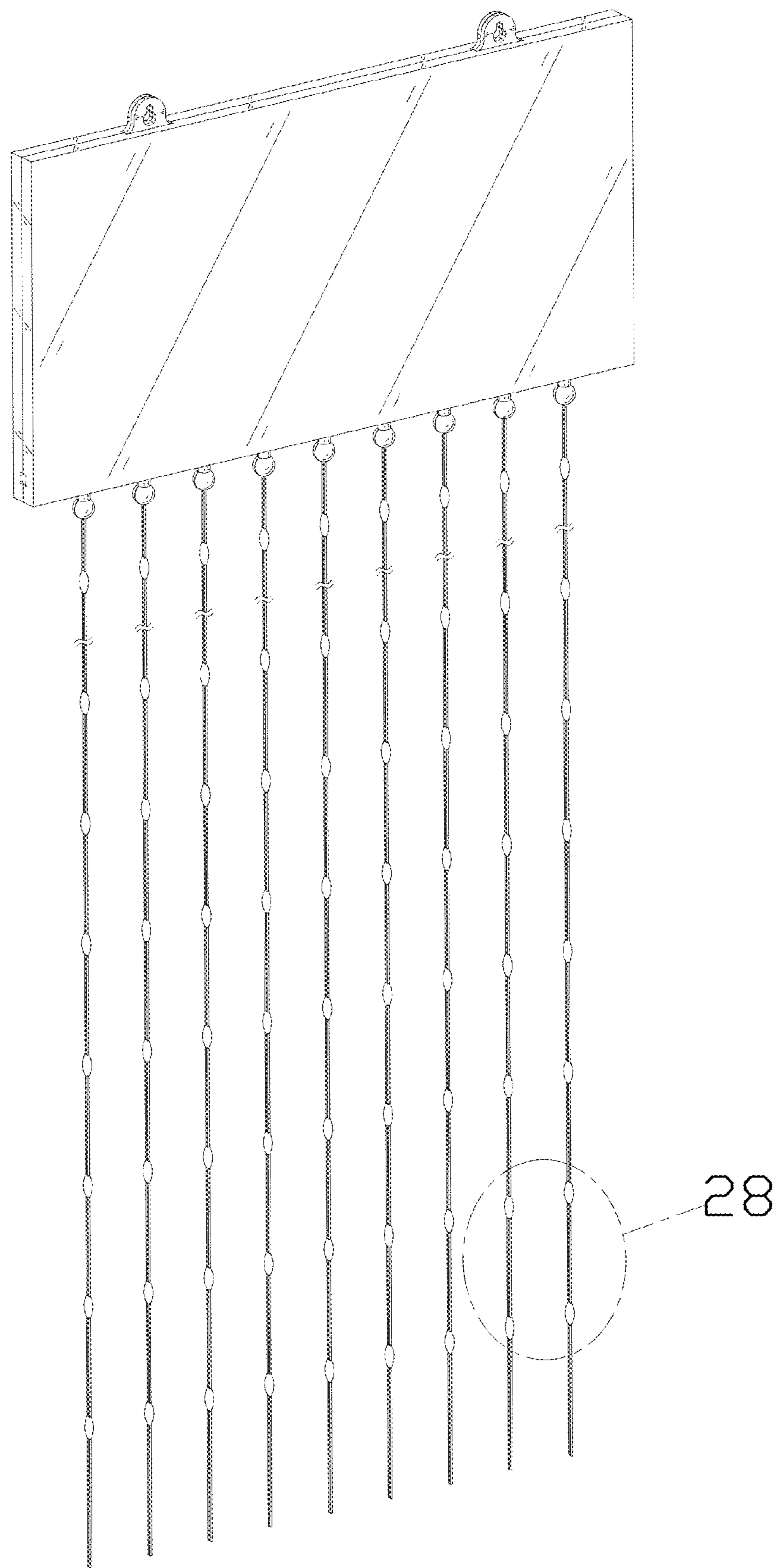


FIG. 17

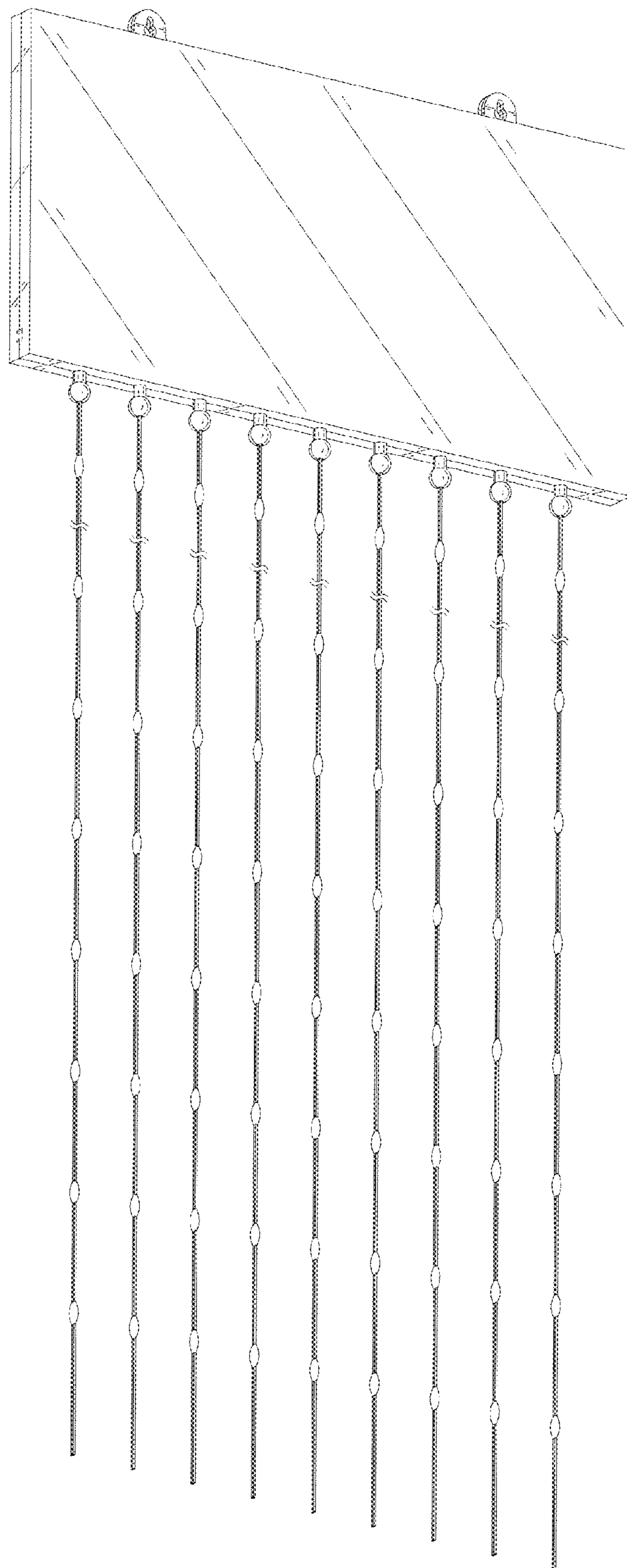


FIG. 18

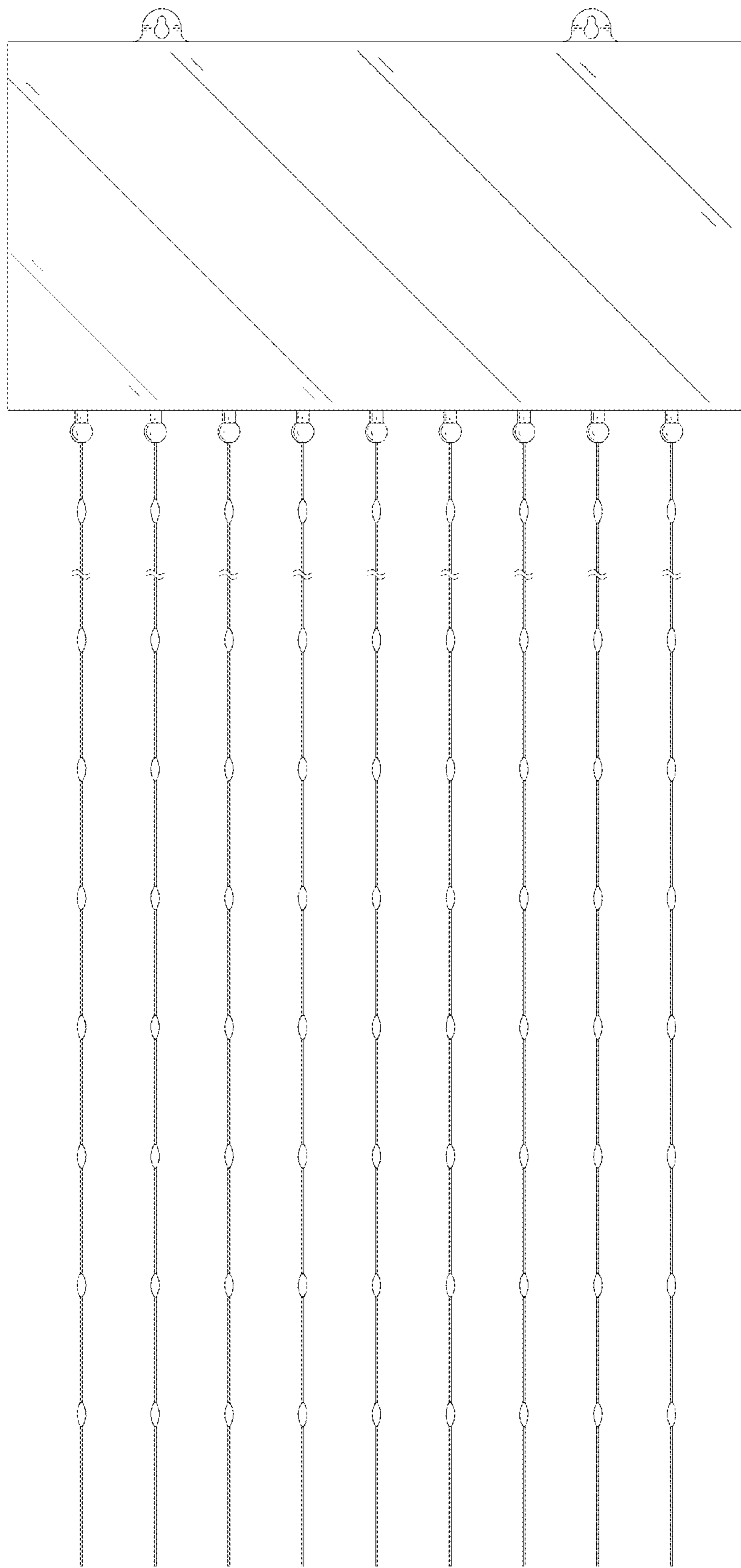


FIG. 19

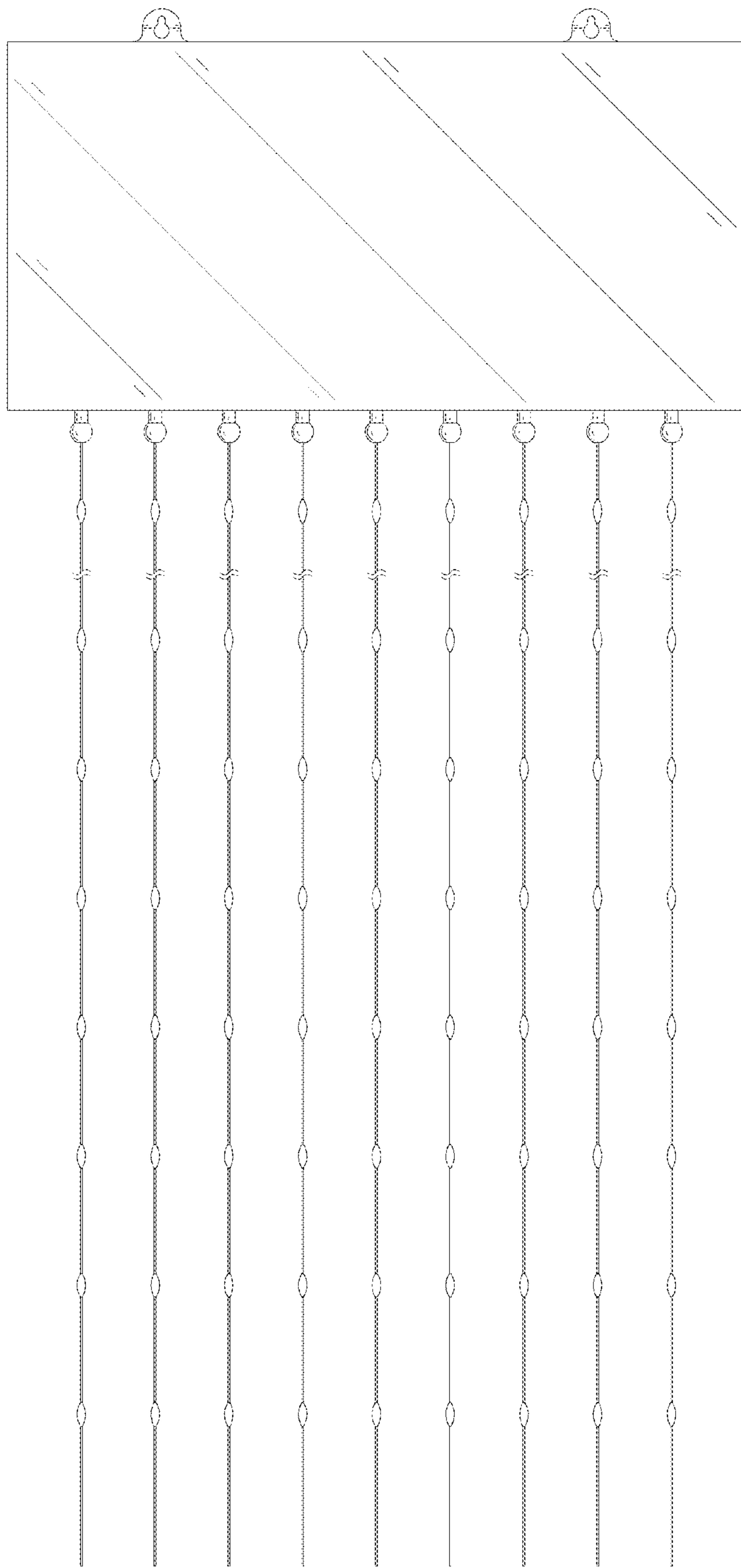


FIG. 20

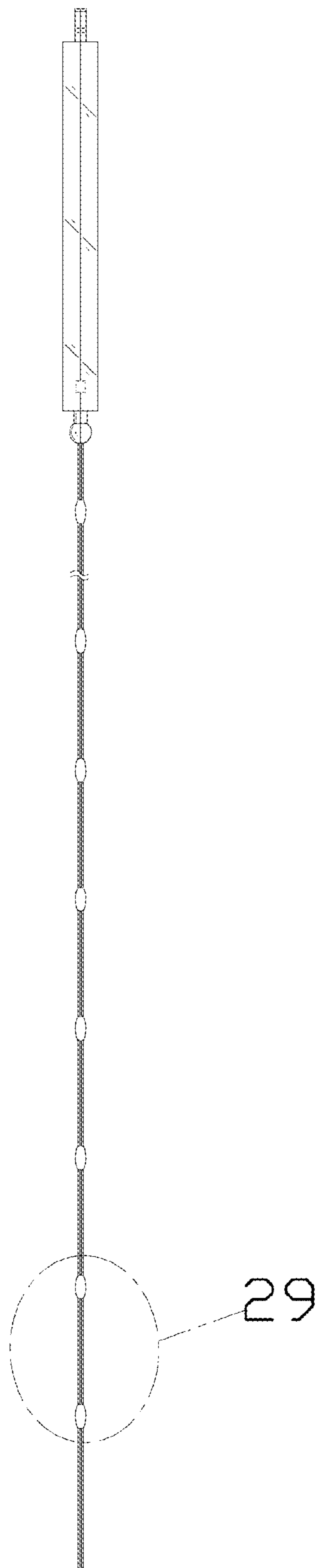


FIG. 21



FIG. 22



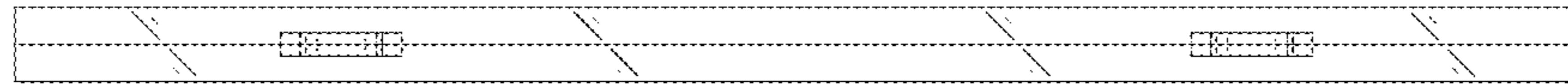


FIG. 23

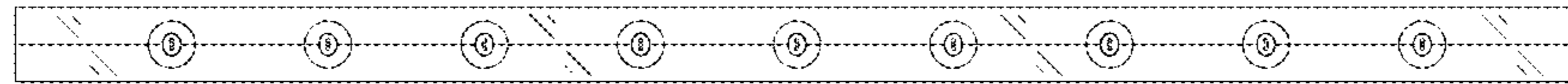


FIG. 24

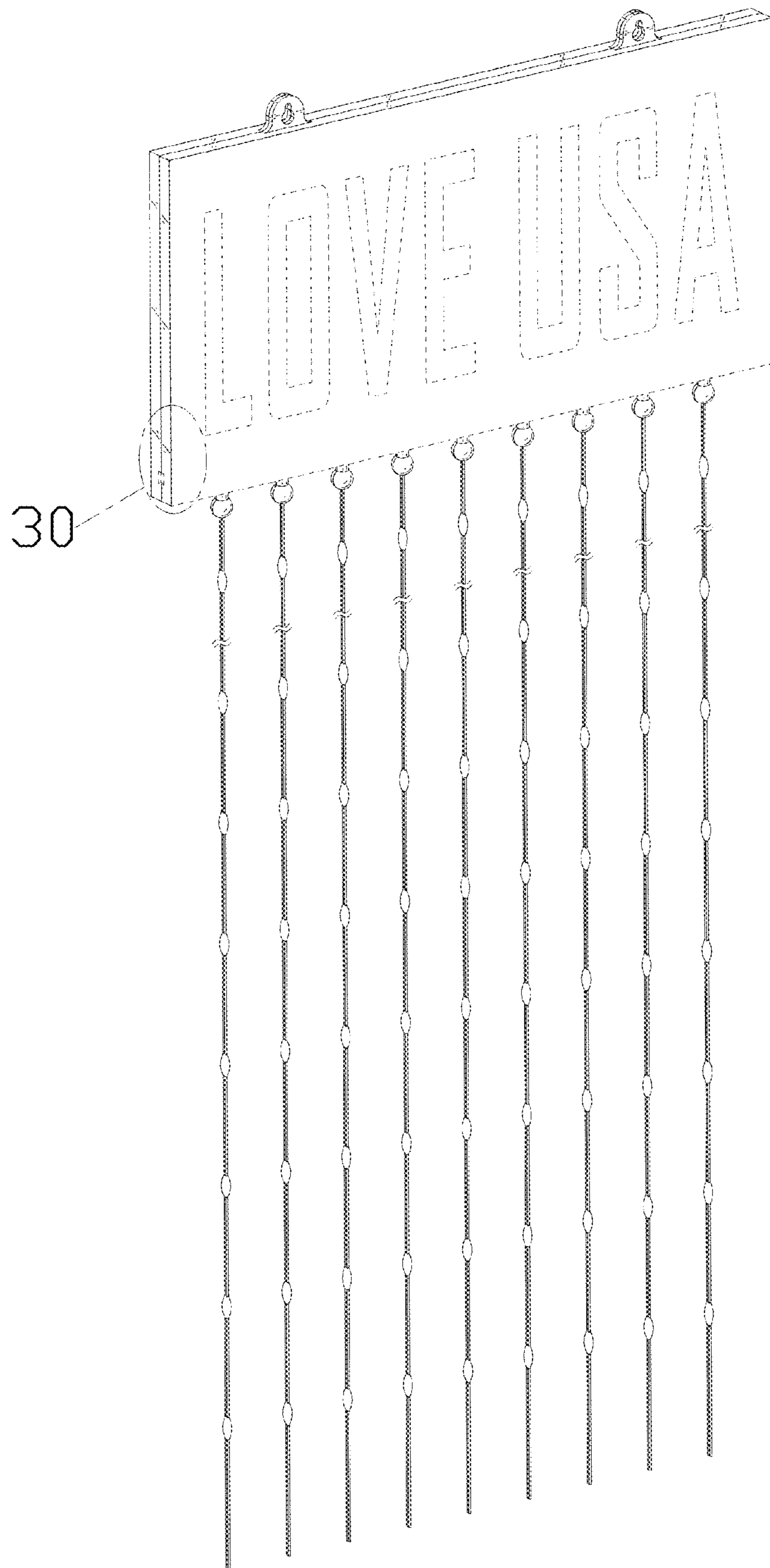


FIG. 25

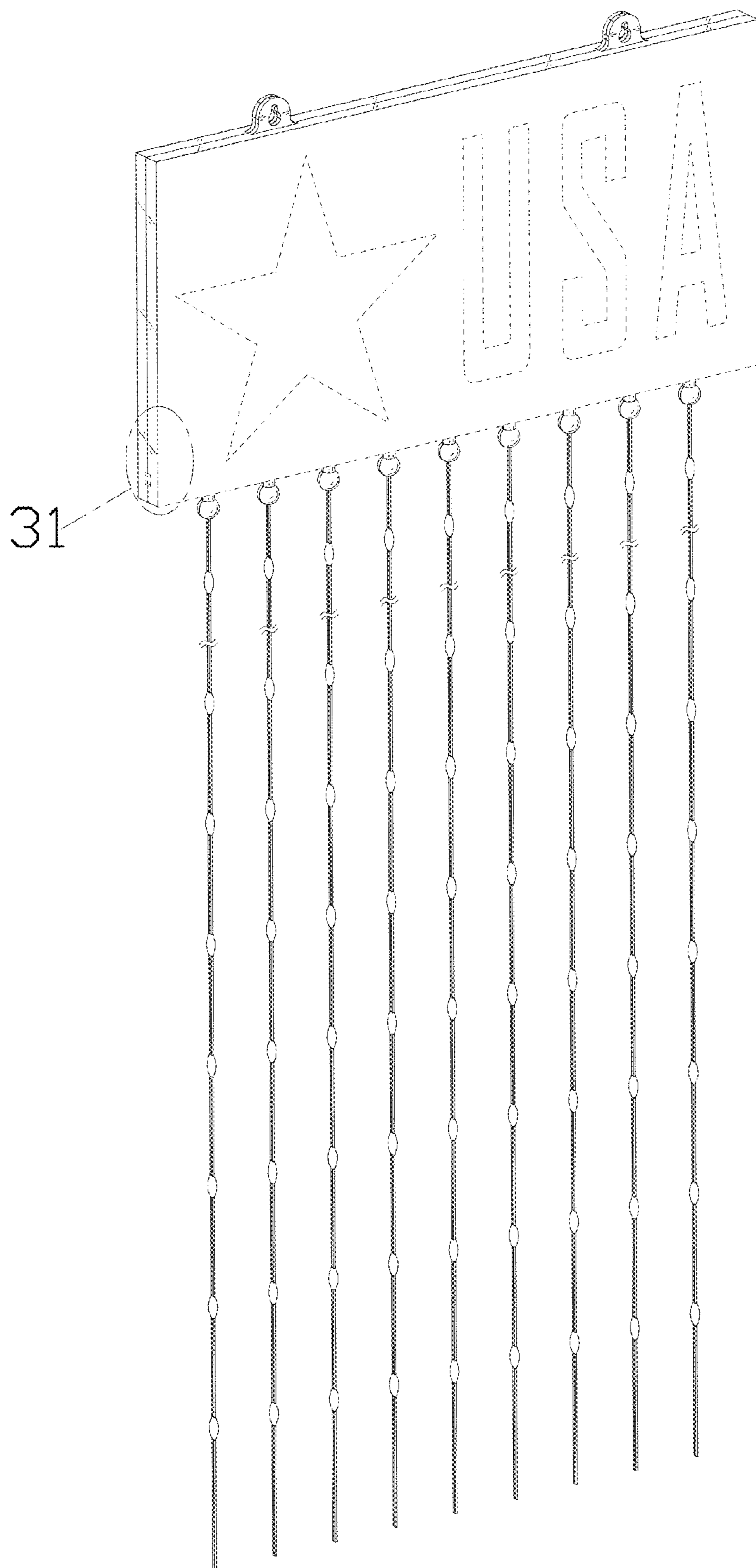


FIG. 26

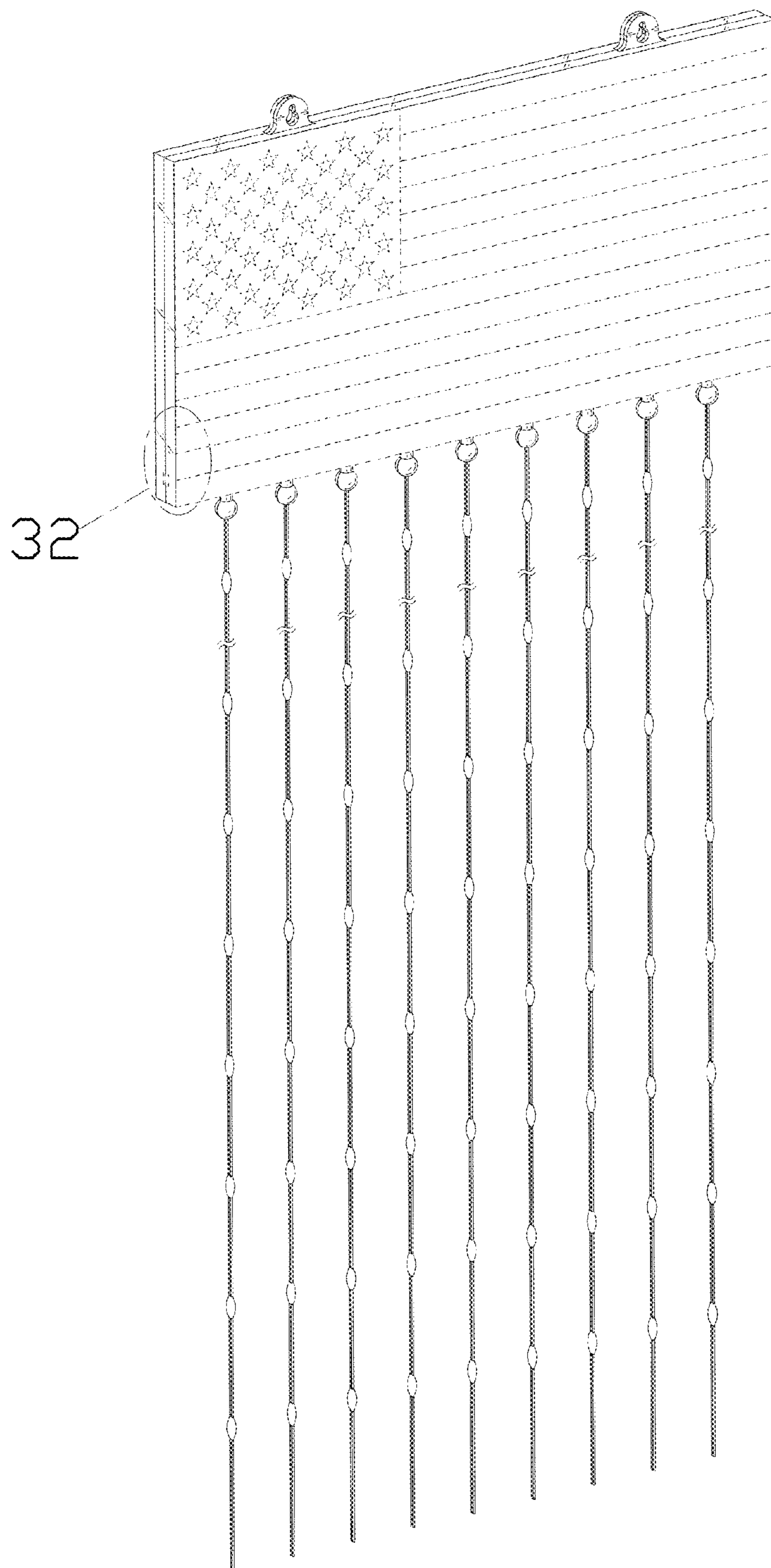


FIG. 27

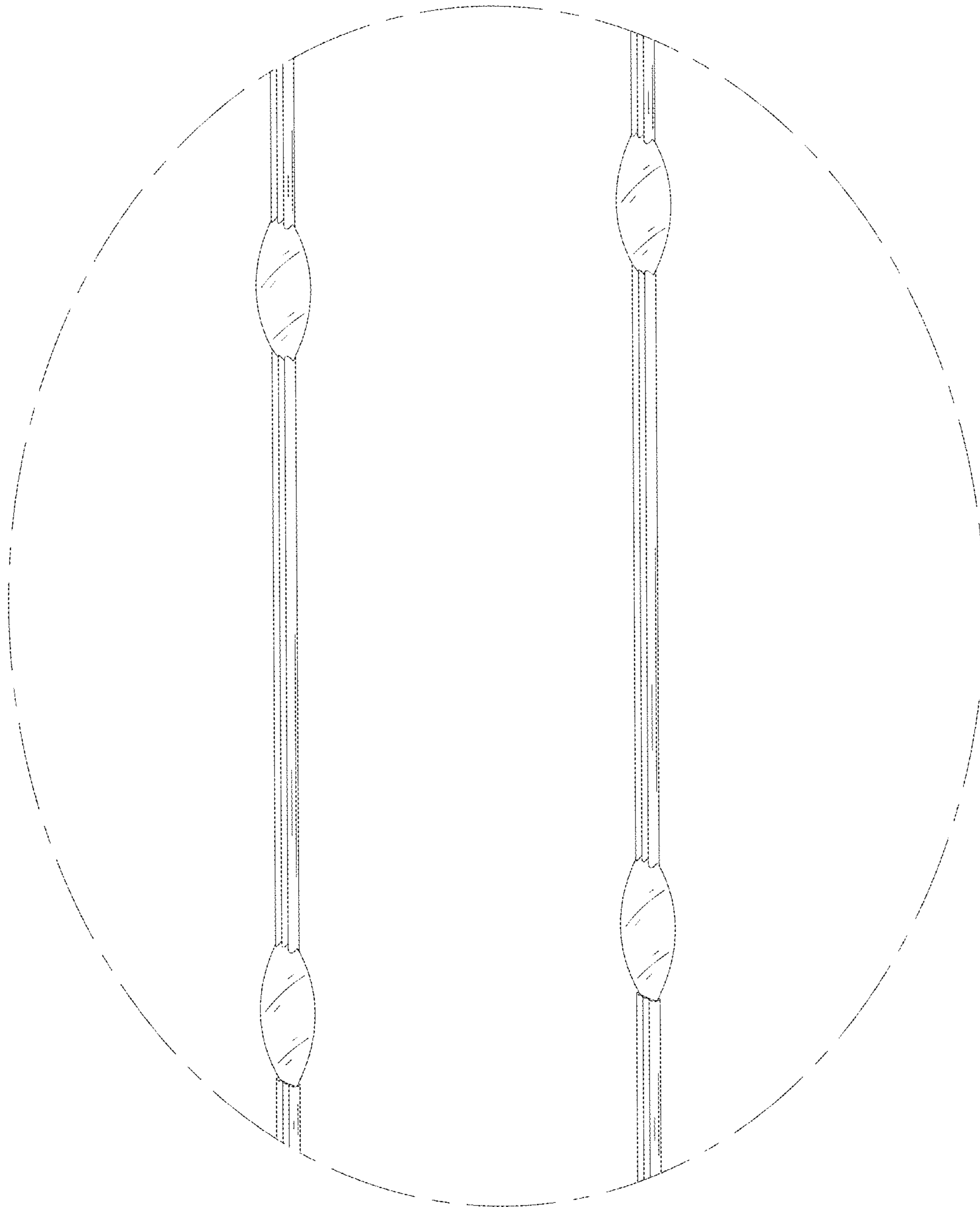


FIG. 28

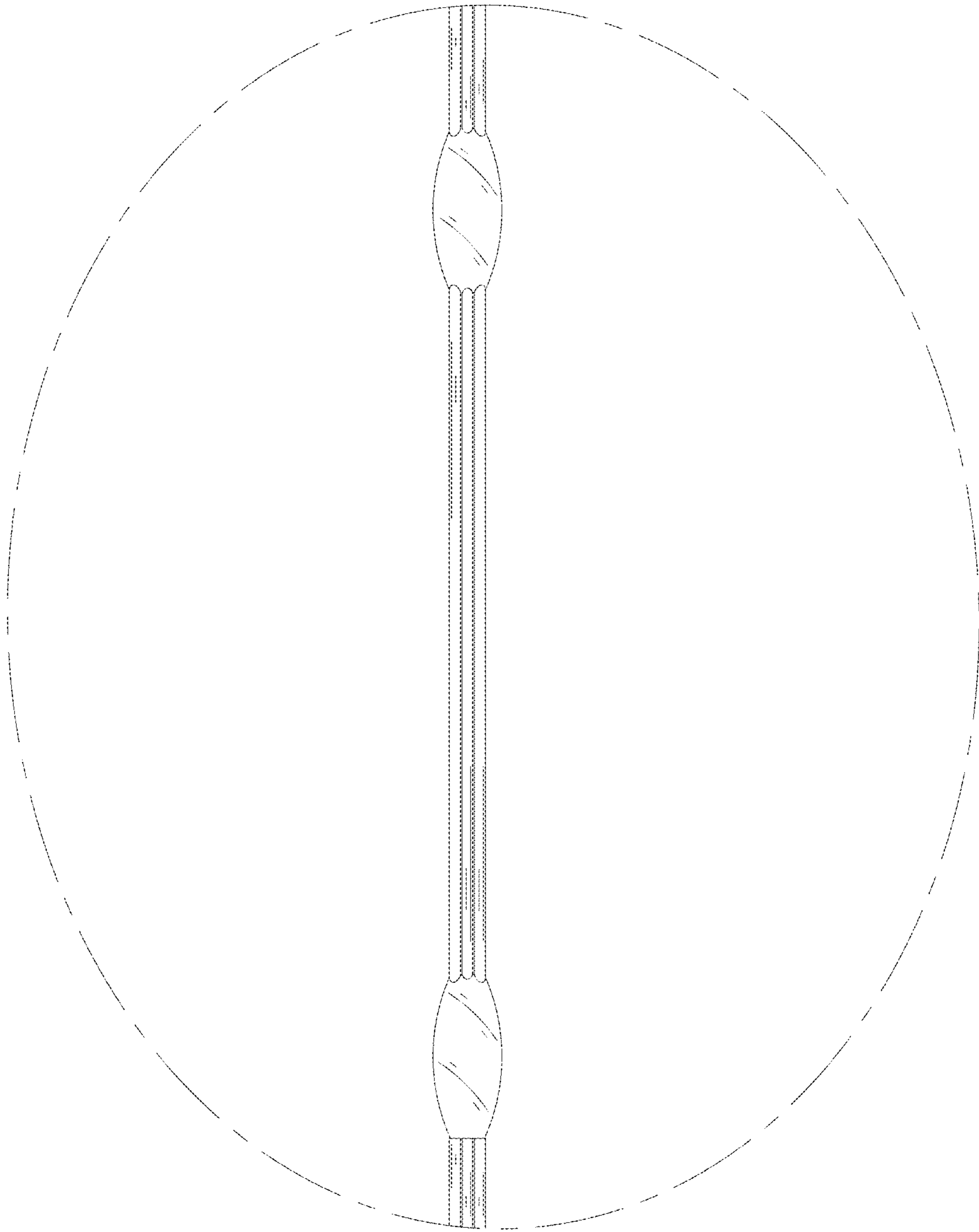


FIG. 29

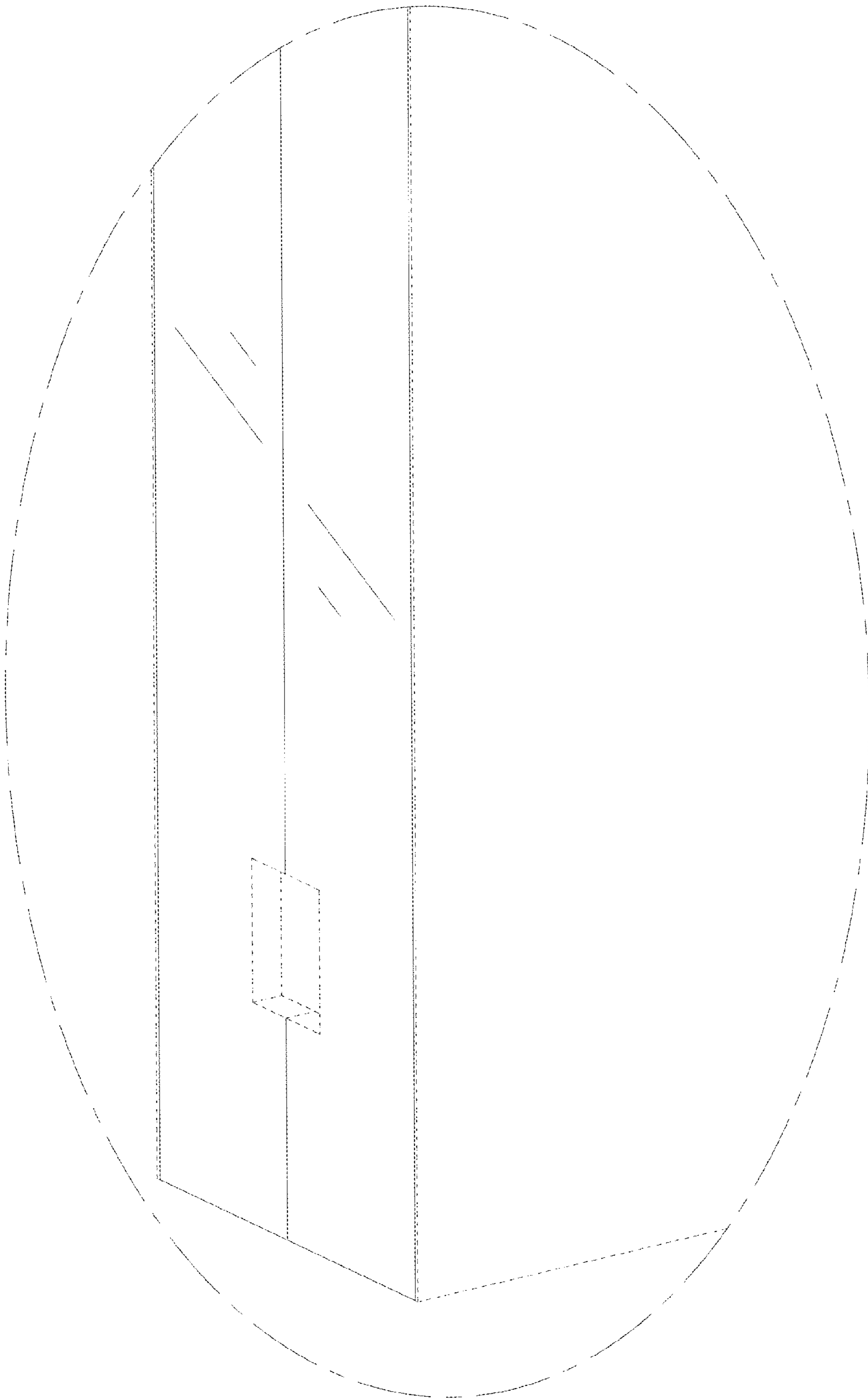


FIG. 30



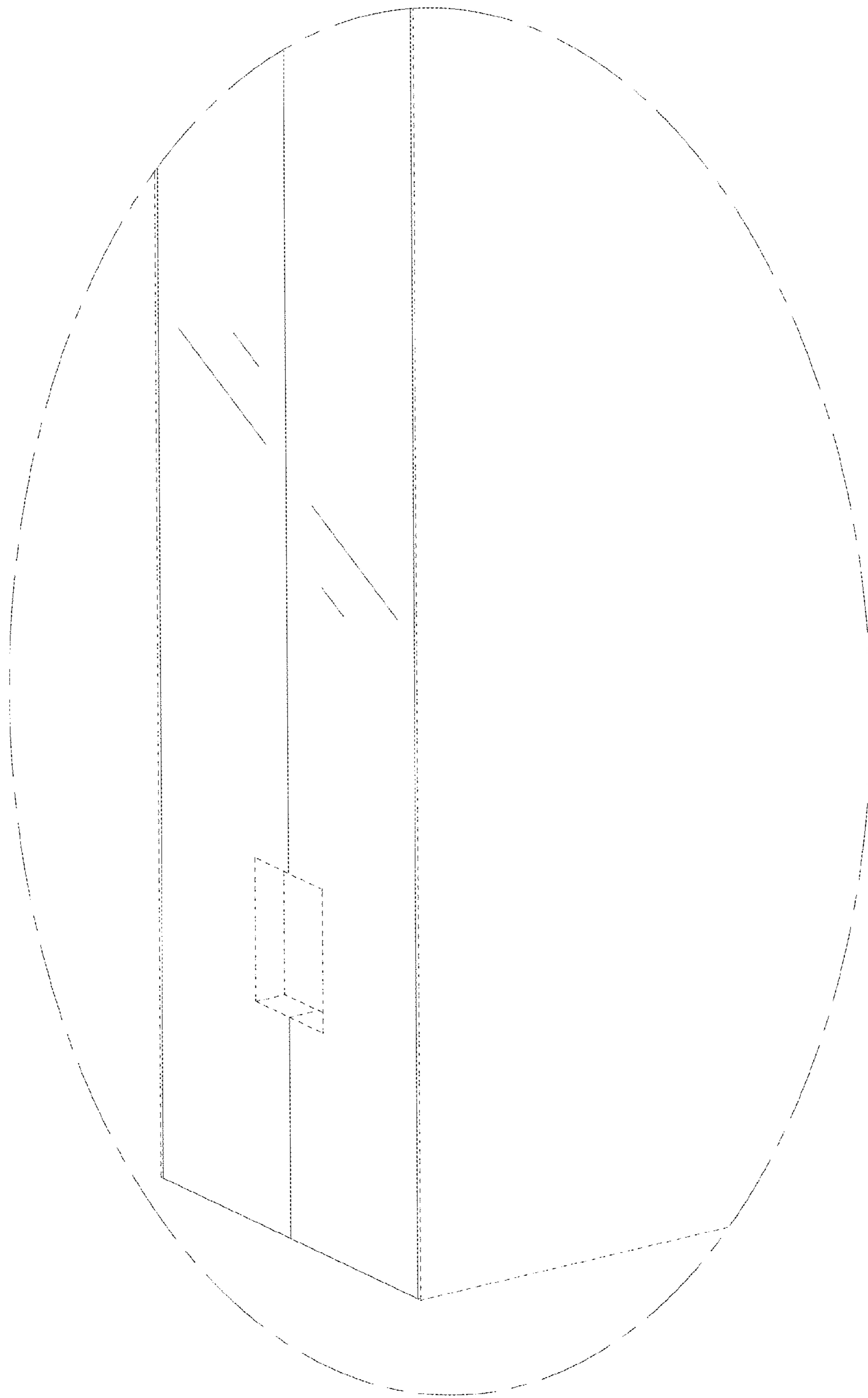


FIG. 31

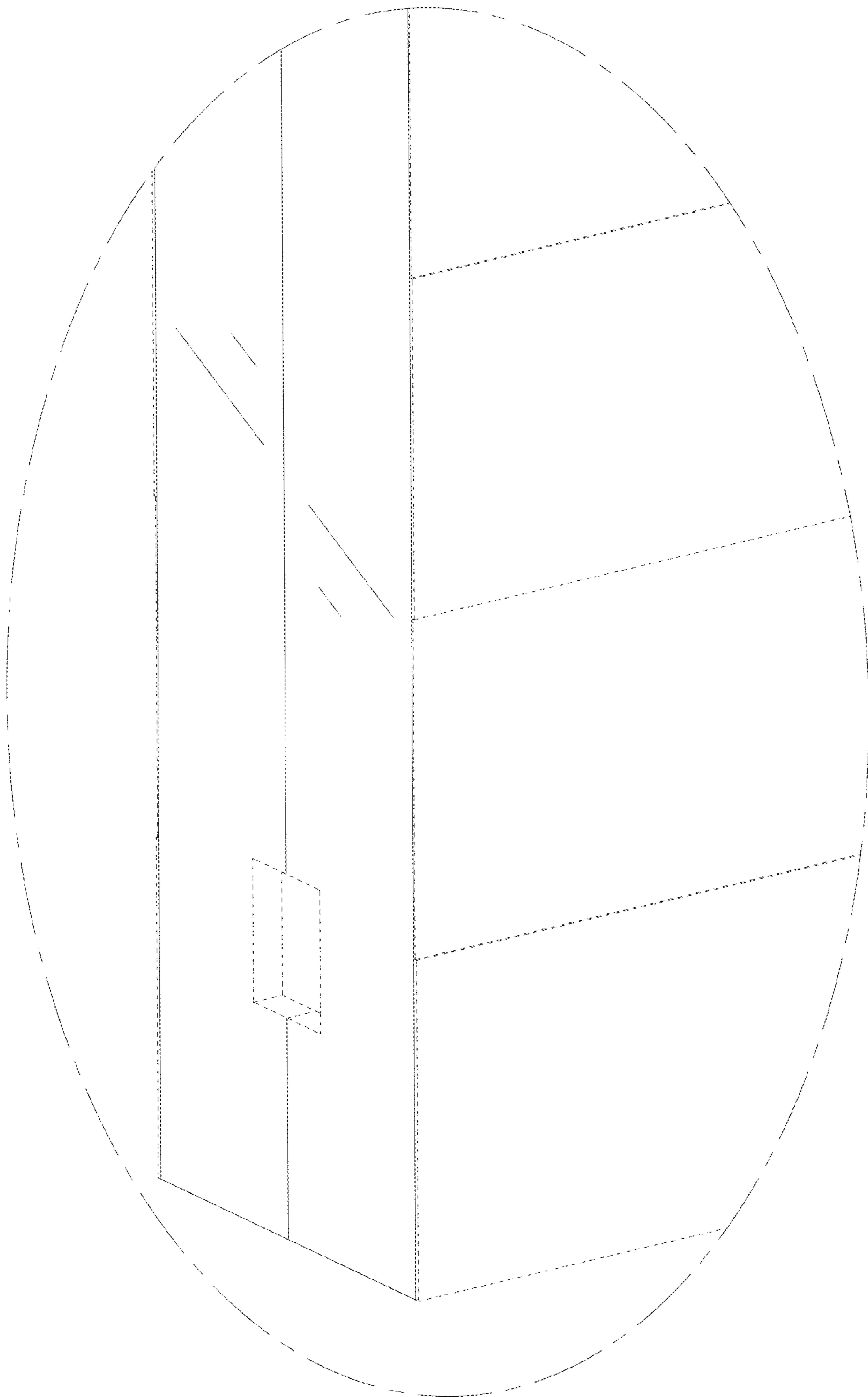


FIG. 32