



US00D971453S

(12) **United States Design Patent** (10) **Patent No.:** **US D971,453 S**  
**Liu** (45) **Date of Patent:** **\*\* Nov. 29, 2022**

(54) **LAMP** 4,930,055 A \* 5/1990 Swadell ..... F21S 8/083  
362/244  
(71) Applicant: **Tao Liu**, Tianjin (CN) 5,055,035 A \* 10/1991 Hancovsky ..... F21V 35/00  
362/180  
(72) Inventor: **Tao Liu**, Tianjin (CN) D343,243 S \* 1/1994 Ewing ..... D26/67  
D437,965 S \* 2/2001 Diviak, Sr. .... F21S 8/083  
D26/104  
(\*\*) Term: **15 Years** D444,253 S \* 6/2001 Blanchard ..... D26/67  
6,364,503 B1 \* 4/2002 Wenzel ..... F21V 33/00  
362/186  
(21) Appl. No.: **29/837,748** D472,338 S \* 3/2003 Barriger ..... D26/67  
(22) Filed: **May 9, 2022** (Continued)

(51) **LOC (13) Cl.** ..... **26-01**  
(52) **U.S. Cl.**  
USPC ..... **D26/11; D26/12; D26/67**  
(58) **Field of Classification Search**  
USPC ..... D26/1, 6, 7, 9-12, 16, 22, 67, 93, 94,  
D26/104, 106, 108, 110, 112  
CPC ..... F21L 2/00; F21L 4/00; F21L 14/00; F21L  
19/00; F21S 6/00; F21S 6/001; F21S  
6/002; F21S 9/00; F21S 9/02; F21S 9/03;  
F21S 9/037; F21V 3/00; F21V 21/0824;  
F21V 35/00; F21V 37/00; F21V  
2131/109  
See application file for complete search history.

(56) **References Cited**

**U.S. PATENT DOCUMENTS**  
1,975,496 A \* 10/1934 Barrett, Jr. .... F21V 35/00  
431/291  
2,050,151 A \* 8/1936 Baumer ..... F21V 37/0095  
431/291  
2,060,324 A \* 11/1936 Knapp ..... F21V 37/0095  
431/291  
2,439,467 A \* 4/1948 Guilfoil, Jr. .... F21V 37/0095  
431/291  
D184,290 S \* 1/1959 Rettman ..... F21V 35/00  
D26/104  
D206,950 S \* 2/1967 Colletti ..... D26/96  
D207,239 S \* 3/1967 Guilfoil, Jr. .... F21V 33/00  
D26/11  
D208,065 S \* 7/1967 Colletti ..... D26/68  
D243,548 S \* 3/1977 Shippee ..... D26/10

**OTHER PUBLICATIONS**

WillandBaumer Red Cemetery Light with Gold Plastic Dome, Jun.  
11, 2014, Amazon.ca, site visited Sep. 14, 2022, url: <https://www.amazon.ca/dp/B0043GRFG4> (Year: 2014).\*  
(Continued)

*Primary Examiner* — T Chase Nelson  
*Assistant Examiner* — Rachel Wolfe

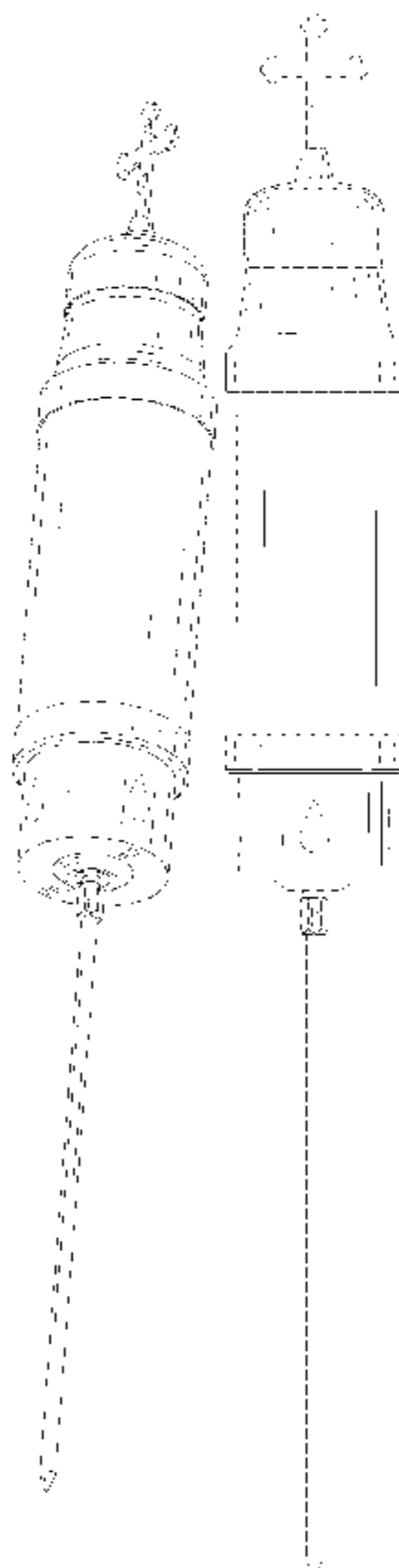
(57) **CLAIM**

The ornamental design for a lamp, as shown and described.

**DESCRIPTION**

FIG. 1 is a perspective view of a lamp showing my new design;  
FIG. 2 is another perspective view thereof;  
FIG. 3 is a front elevational view thereof;  
FIG. 4 is a rear elevational view thereof;  
FIG. 5 is a left side elevational view thereof;  
FIG. 6 is a right side elevational view thereof;  
FIG. 7 is a bottom plan view thereof;  
FIG. 8 is a top plan view thereof;  
FIG. 9 is an enlarged bottom plan view thereof; and,  
FIG. 10 is an enlarged top plan view thereof.  
The broken lines in the drawings depict portions of the lamp that form no part of the claimed design.

**1 Claim, 10 Drawing Sheets**



(56)

**References Cited**

U.S. PATENT DOCUMENTS

D946,191 S \* 3/2022 Hsu ..... D26/67  
D963,901 S \* 9/2022 Liu ..... D26/11  
2009/0175046 A1\* 7/2009 Richard ..... F21V 21/002  
439/577

OTHER PUBLICATIONS

OURMEMO Cemetery Light, Dec. 18, 2019, Amazon.com, site visited Sep. 14, 2022, url: <https://www.amazon.com/dp/B082W1VBHY> (Year: 2019).\*

OURMEMO Cemetery Light Candle Holder Memorial Lantern, Apr. 5, 2022, Amazon.com, site visited Sep. 14, 2022, url: <https://www.amazon.com/dp/B09X6W5C4S/> (Year: 2022).\*

\* cited by examiner

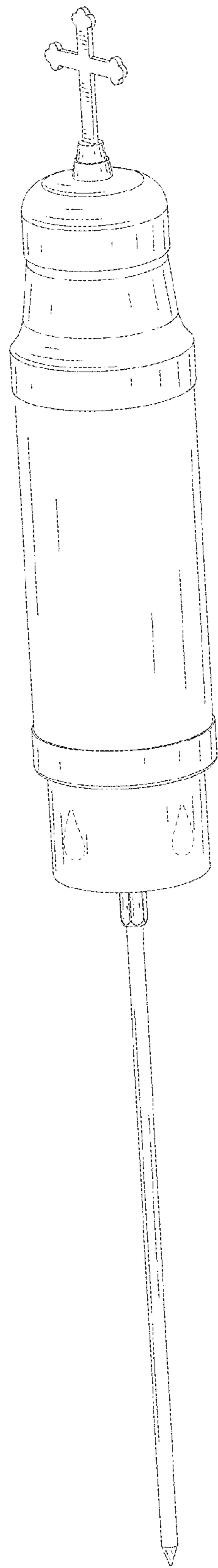


FIG. 1

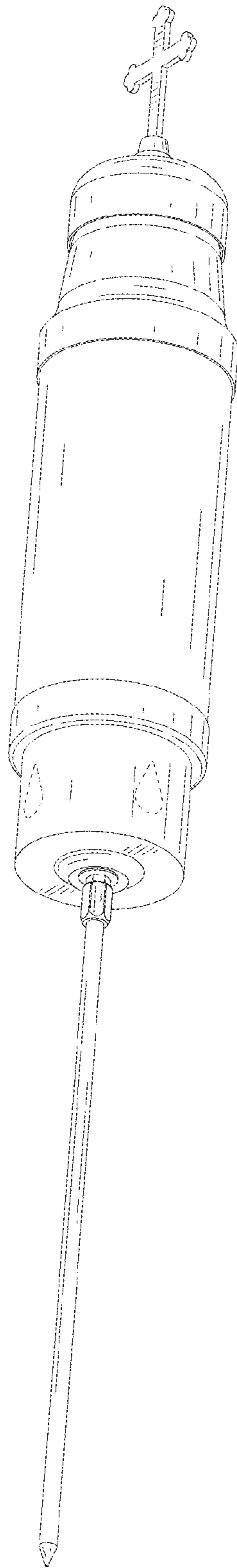


FIG. 2

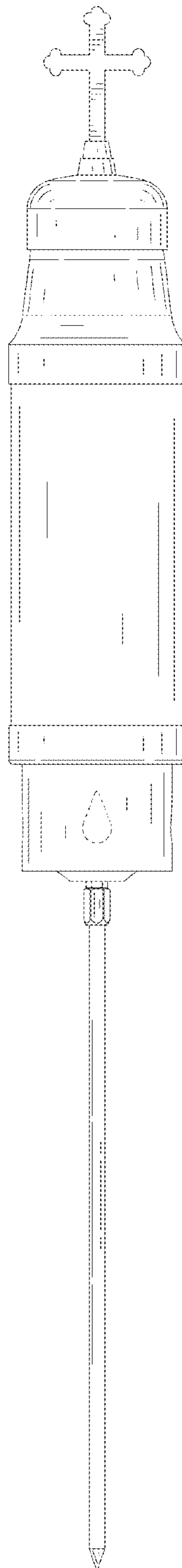


FIG. 3

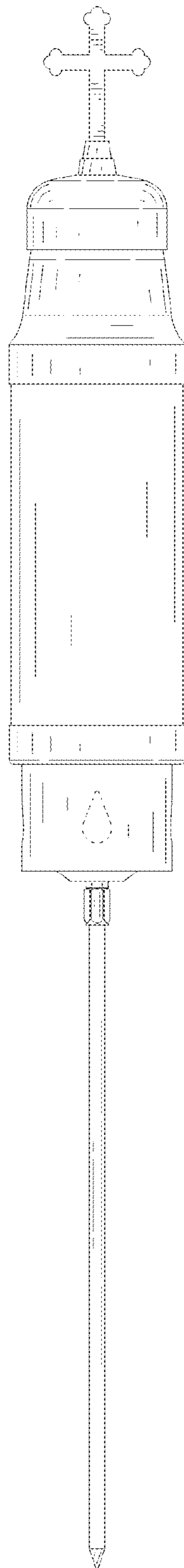


FIG. 4

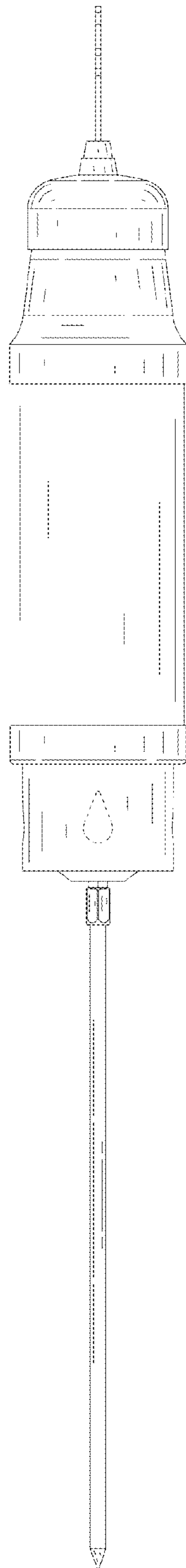


FIG. 5

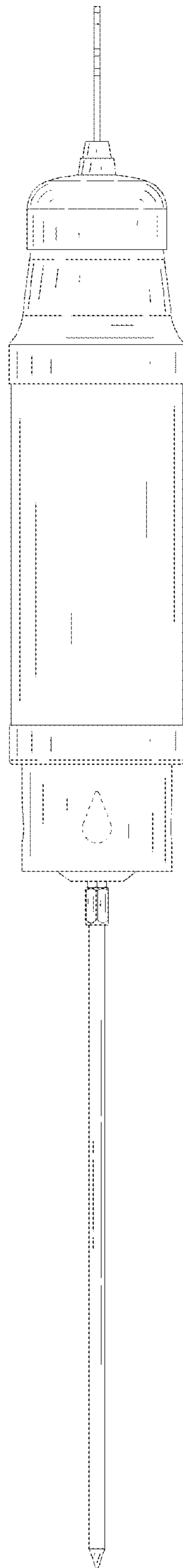


FIG. 6



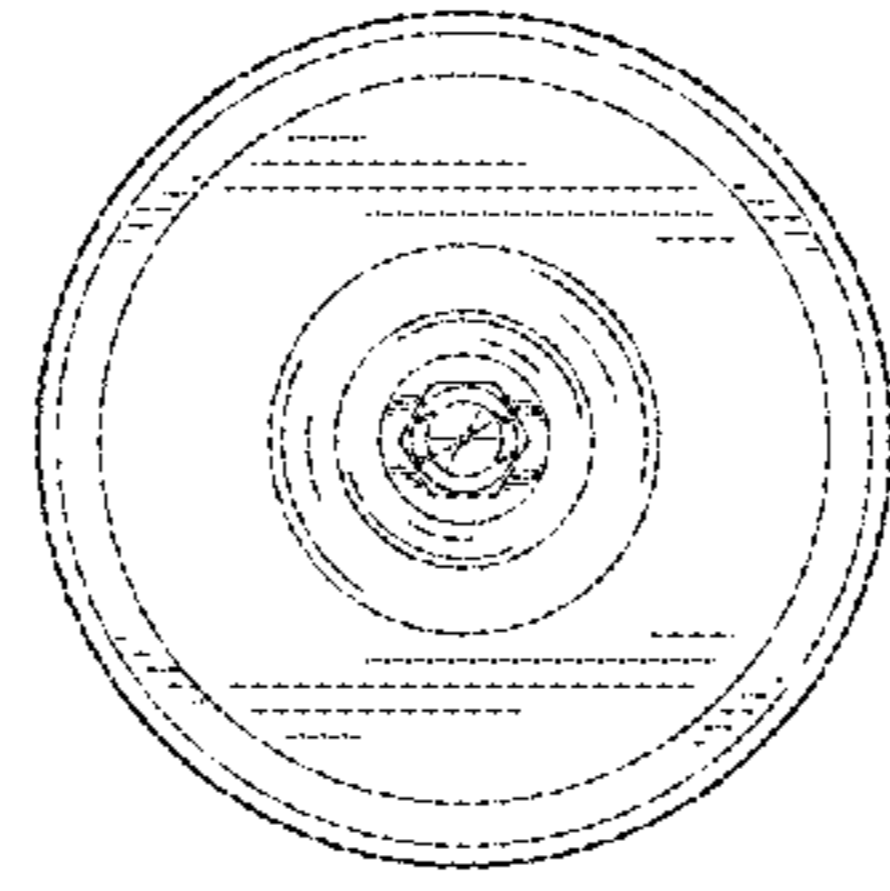


FIG. 7

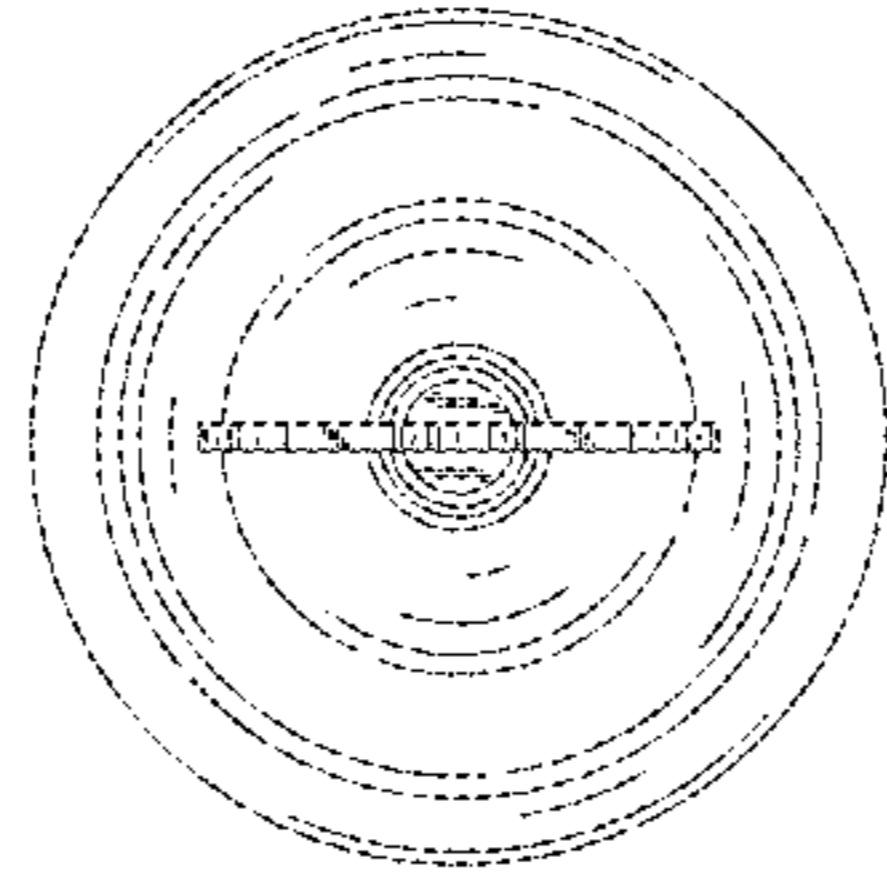


FIG. 8

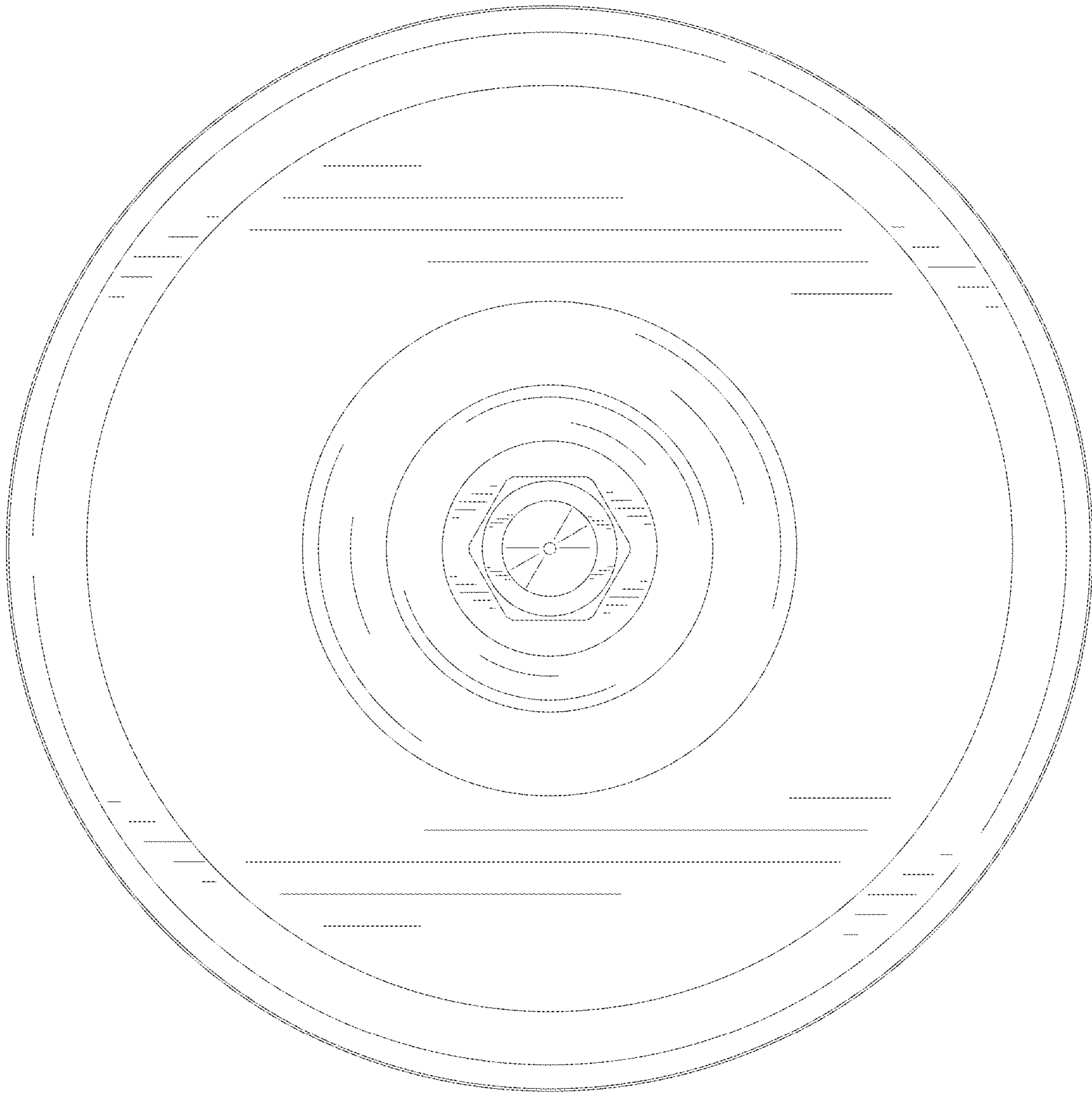


FIG. 9

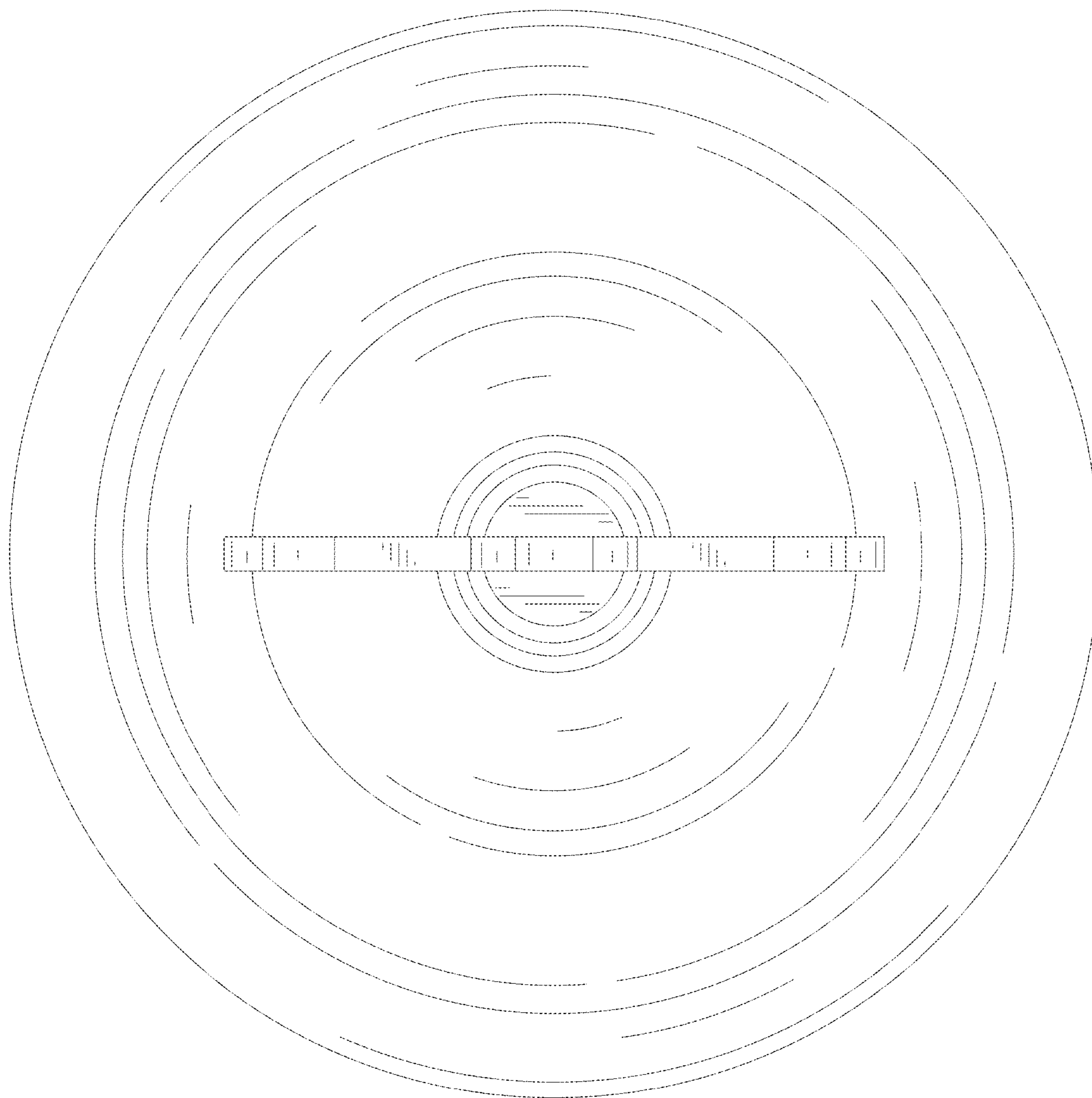


FIG. 10