



US00D971452S

(12) **United States Design Patent**
Liu

(10) **Patent No.:** **US D971,452 S**

(45) **Date of Patent:** **** Nov. 29, 2022**

(54) **LAMP**

(71) Applicant: **Tao Liu**, Tianjin (CN)

(72) Inventor: **Tao Liu**, Tianjin (CN)

(**) Term: **15 Years**

(21) Appl. No.: **29/837,747**

(22) Filed: **May 9, 2022**

(51) **LOC (13) Cl.** **26-01**

(52) **U.S. Cl.**

USPC **D26/11; D26/12; D26/67**

(58) **Field of Classification Search**

USPC D26/1, 6, 7, 9-12, 16, 22, 67, 93, 94,
D26/104, 106, 108, 110, 112

CPC F21L 2/00; F21L 4/00; F21L 14/00; F21L
19/00; F21S 6/00; F21S 6/001; F21S
6/002; F21S 9/00; F21S 9/02; F21S 9/03;
F21S 9/037; F21V 3/00; F21V 21/0824;
F21V 35/00; F21V 37/00; F21W
2131/109

See application file for complete search history.

(56) **References Cited**

U.S. PATENT DOCUMENTS

D100,876	S	*	8/1936	Muench	F21V 37/0095	D26/11
2,050,151	A	*	8/1936	Baumer	F21V 37/0095	431/291
2,060,324	A	*	11/1936	Knapp	F21V 37/0095	431/291
2,214,991	A	*	9/1940	Candy, Jr.	F21V 37/0095	431/291
2,439,467	A	*	4/1948	Guilfoil, Jr.	F21V 37/0095	431/291
D184,290	S	*	1/1959	Rettmann	D26/104	
D206,950	S	*	2/1967	Colletti	D26/96	
D207,239	S	*	3/1967	Guilfoil, Jr.	F21V 33/00	D26/11
D208,065	S	*	7/1967	Colletti	D26/68	

D243,548	S	*	3/1977	Shippee	D26/10	
4,930,055	A	*	5/1990	Swadell	F21S 8/083	362/244
5,055,035	A	*	10/1991	Hancovsky	F21V 35/00	362/180
D338,977	S	*	8/1993	Ewing	D26/67	
D343,243	S	*	1/1994	Ewing	D26/67	
5,980,064	A	*	11/1999	Metroyanis	F21S 9/02	362/800
D437,965	S	*	2/2001	Diviak, Sr.	D26/104	
D444,253	S	*	6/2001	Blanchard	D26/67	

(Continued)

OTHER PUBLICATIONS

WillandBaumer Red Cemetery Light with Gold Plastic Dome, Jun. 11, 2014, Amazon.ca, site visited Sep. 14, 2022, url: <https://www.amazon.ca/dp/B0043GRFG4> (Year: 2014).*

(Continued)

Primary Examiner — T Chase Nelson

Assistant Examiner — Rachel Wolfe

(57) **CLAIM**

The ornamental design for a lamp, as shown and described.

DESCRIPTION

FIG. 1 is a perspective view of a lamp showing my new design;

FIG. 2 is another perspective view thereof;

FIG. 3 is a front elevational view thereof;

FIG. 4 is a rear elevational view thereof;

FIG. 5 is a left side elevational view thereof;

FIG. 6 is a right side elevational view thereof;

FIG. 7 is a top plan view thereof;

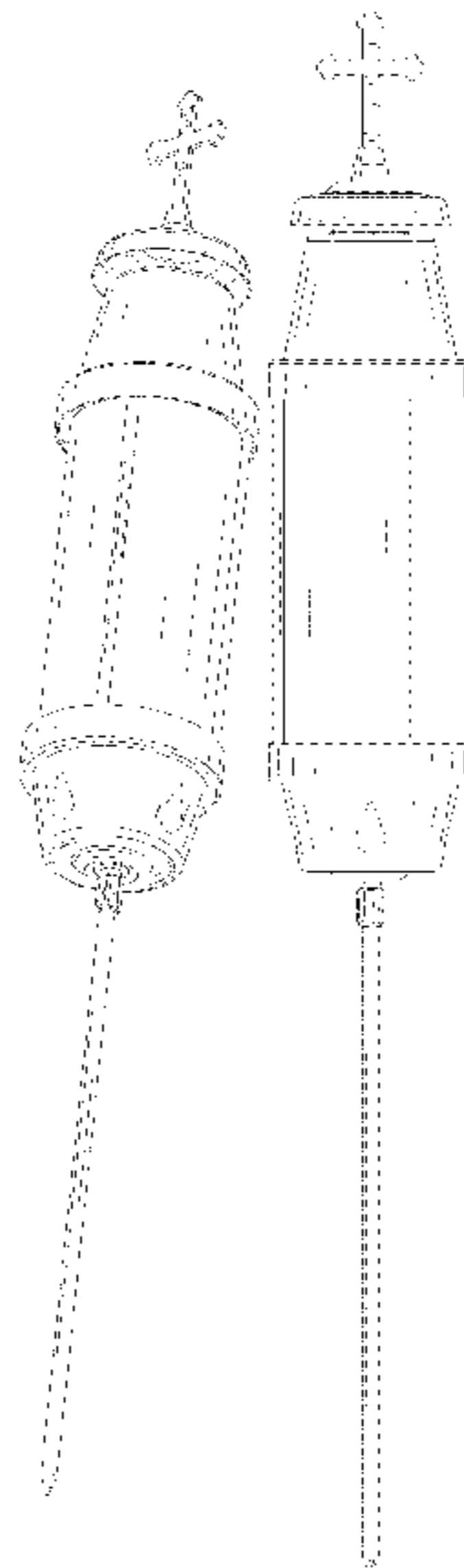
FIG. 8 is a bottom plan view thereof;

FIG. 9 is an enlarged top plan view thereof; and,

FIG. 10 is an enlarged bottom plan view thereof.

The broken lines in the drawings depict portions of the lamp that form no part of the claimed design.

1 Claim, 10 Drawing Sheets



(56)

References Cited

U.S. PATENT DOCUMENTS

6,364,503 B1 * 4/2002 Wenzel F21V 33/00
362/186
D472,338 S * 3/2003 Barriger D26/67
D488,576 S * 4/2004 Chen D26/67
D946,191 S * 3/2022 Hsu D26/67
D963,901 S * 9/2022 Liu D26/11
2009/0175046 A1 * 7/2009 Richard F21V 21/002
439/577

OTHER PUBLICATIONS

OURMEMO Cemetery Light, Dec. 18, 2019, Amazon.com, site
visited Sep. 15, 2022, url: [https://www.amazon.com/dp/
B082W1VBHY](https://www.amazon.com/dp/B082W1VBHY) (Year: 2019).*

* cited by examiner

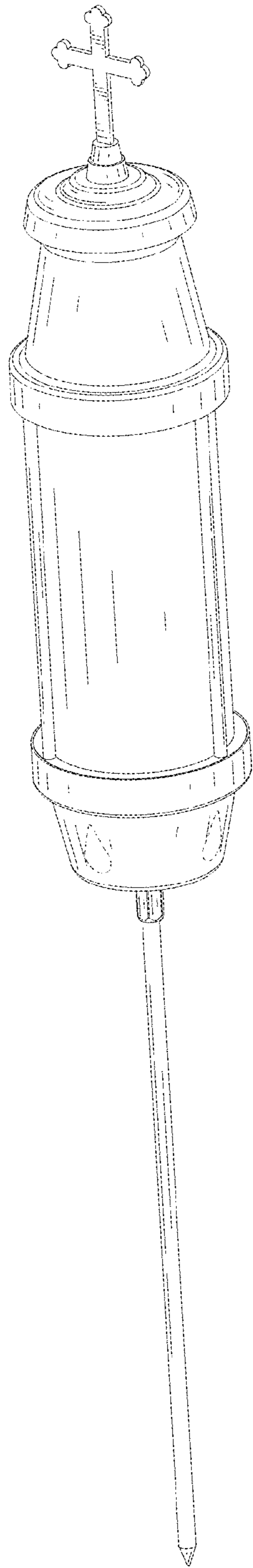


FIG. 1

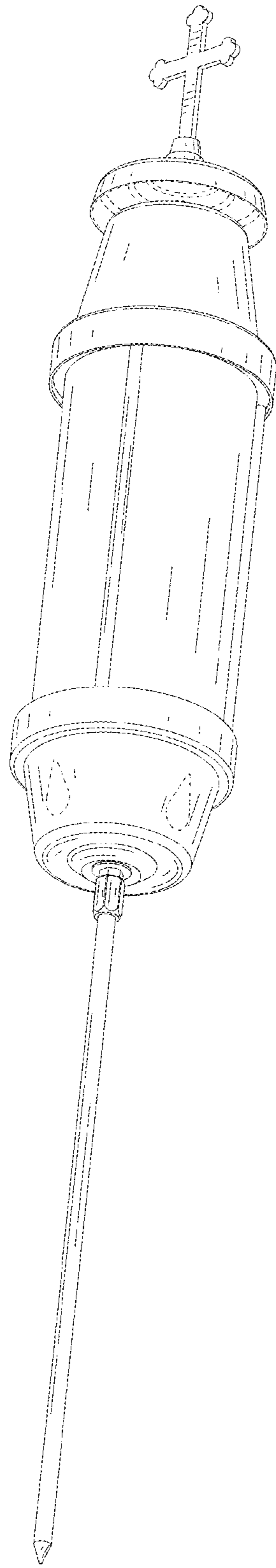


FIG. 2

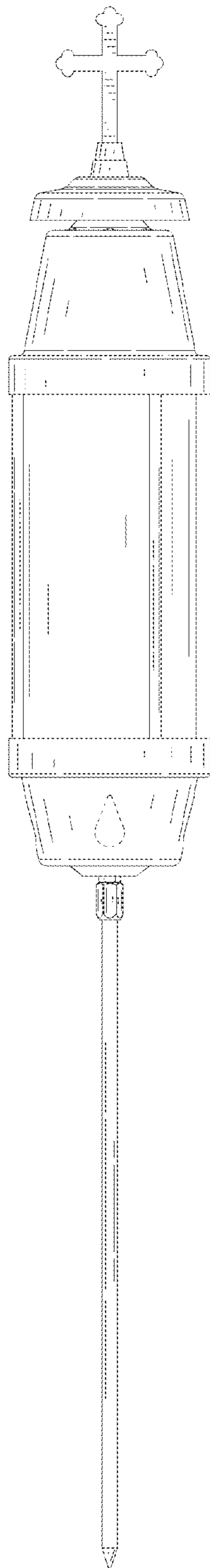


FIG. 3

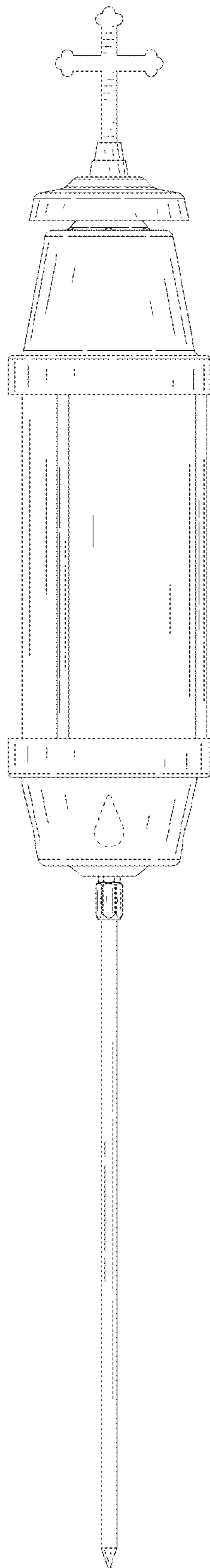


FIG. 4

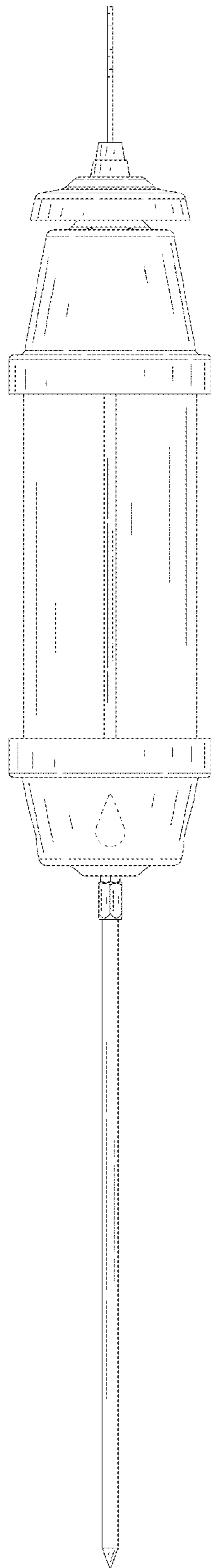


FIG. 5

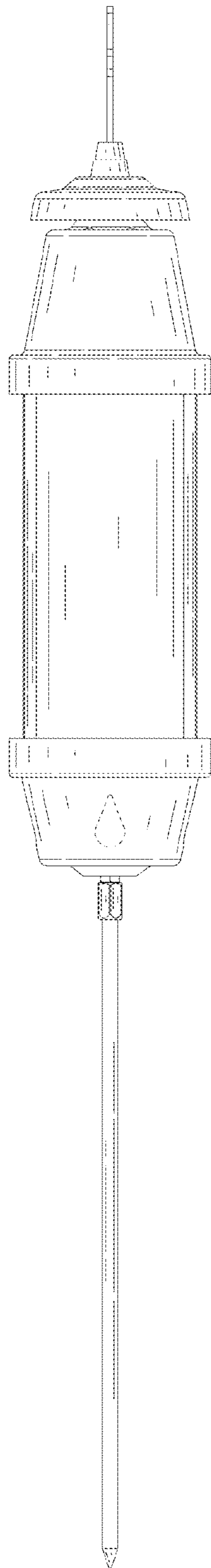


FIG. 6

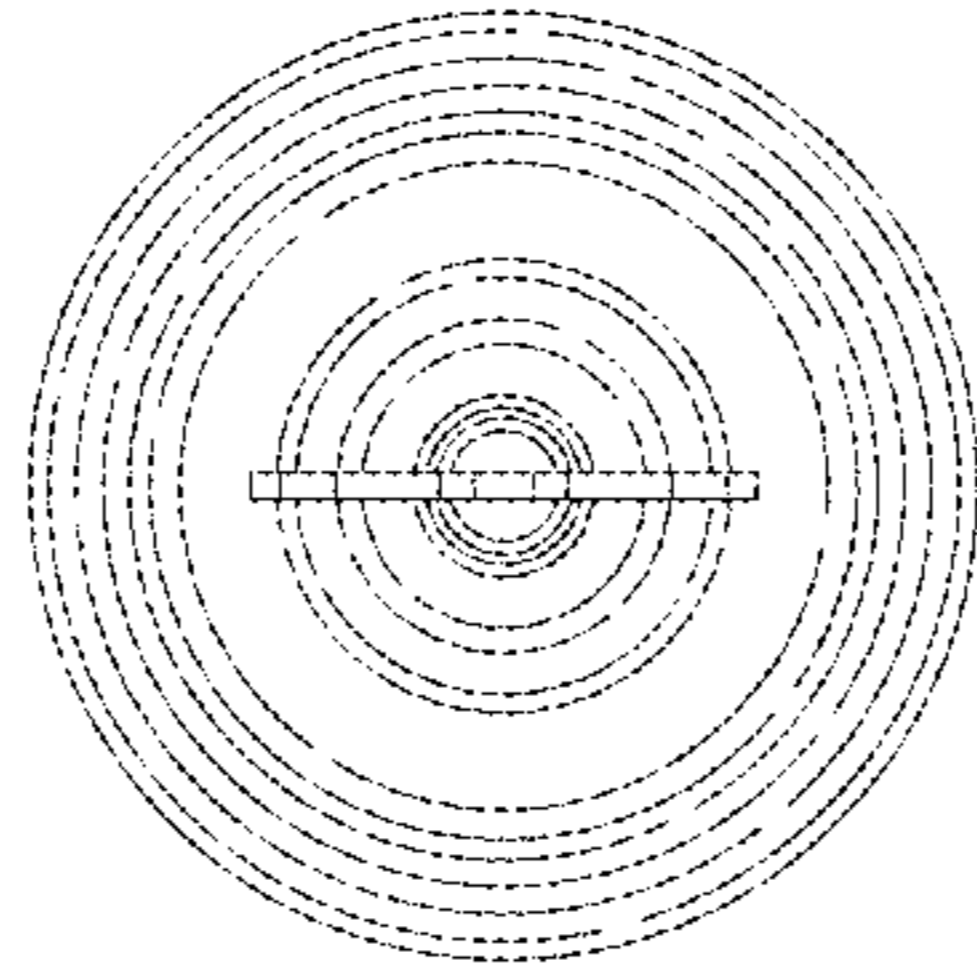


FIG. 7

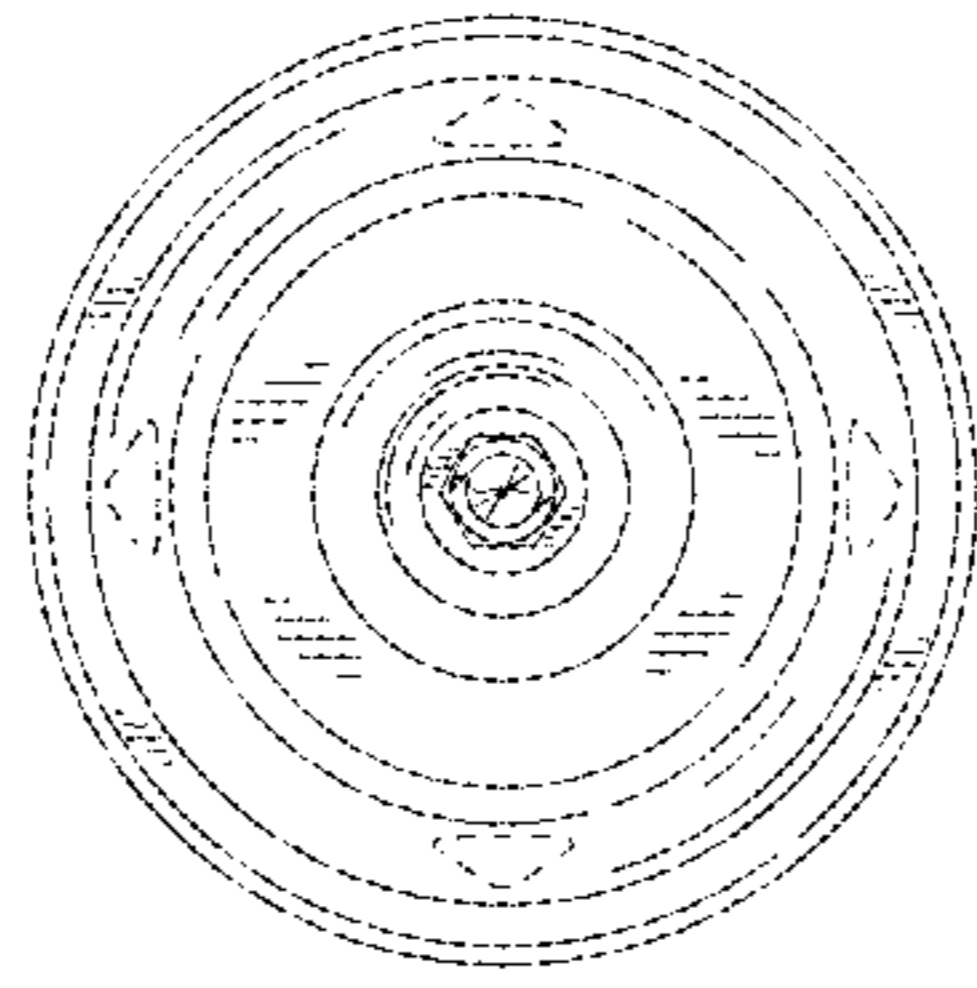


FIG. 8

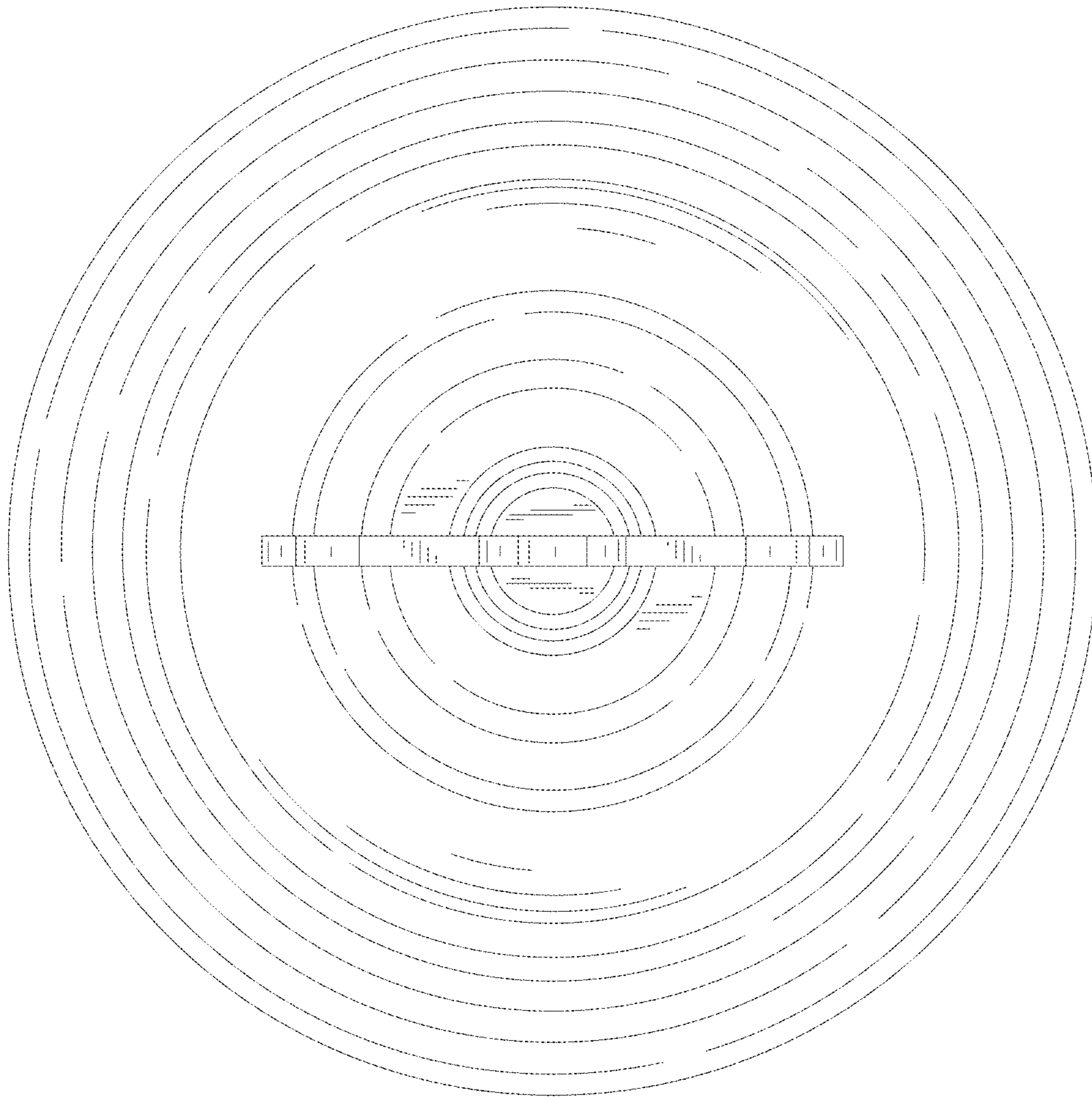


FIG. 9

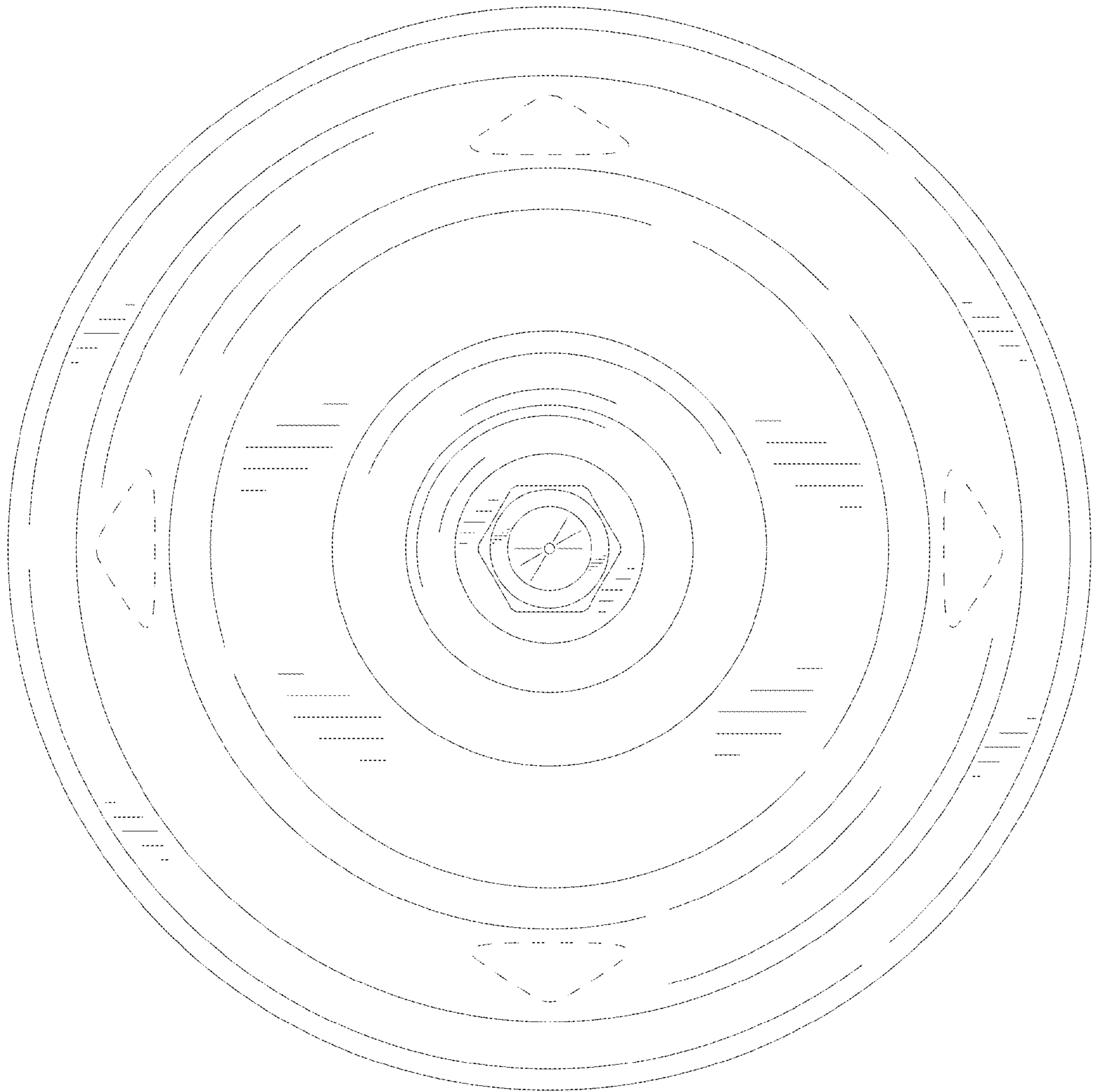


FIG. 10