



US00D971446S

(12) **United States Design Patent** (10) **Patent No.:** **US D971,446 S**
Frick (45) **Date of Patent:** **** Nov. 29, 2022**

(54) **PANEL**
(71) Applicant: **Dolby Laboratories Licensing Corporation**, San Francisco, CA (US)
(72) Inventor: **Paul Frick**, San Francisco, CA (US)
(73) Assignee: **Dolby Laboratories Licensing Corporation**, San Francisco, CA (US)
(**) Term: **15 Years**

D101,745 S 10/1936 Ryle
D107,242 S 11/1937 Kuebler
2,259,646 A 10/1941 Liehburg
D151,715 S 11/1948 Rettinger
2,881,718 A 4/1959 Stromeyer
(Continued)

FOREIGN PATENT DOCUMENTS

CN 302983826 10/2014
EM 002443705-0005 5/2014
EM 002443705-0006 5/2014

(21) Appl. No.: **29/719,586**
(22) Filed: **Jan. 6, 2020**

OTHER PUBLICATIONS

Alexander Wong, UA Shenzhen, images 5-10 at <http://www.alexanderwong.com.hk/ua_shenzhen.htm>, available at least as early as Oct. 16, 2013.

Related U.S. Application Data

(63) Continuation of application No. 29/672,813, filed on Dec. 10, 2018, now Pat. No. Des. 874,685, which is a continuation of application No. 29/568,630, filed on Jun. 20, 2016, now Pat. No. Des. 839,452.

(Continued)

Primary Examiner — Kimberly Barnes
(74) *Attorney, Agent, or Firm* — Saidman DesignLaw Group, LLC

(51) **LOC (13) Cl.** **25-01**
(52) **U.S. Cl.**
USPC **D25/138**

(57) **CLAIM**

The ornamental design for a panel, as shown and described.

(58) **Field of Classification Search**
USPC D6/332; D25/58, 138
CPC .. E04B 2/74; E04B 2/7422; E04B 2001/2481;
E04B 1/82; E04B 1/8209; E04B 1/8227;
E04B 1/84; E04B 2001/8263; E04B
2001/8471; E04B 2/7401; E04B 1/8409;
E04B 1/99; E04B 1/3442; E04B 1/34378;
E04B 1/34384

DESCRIPTION

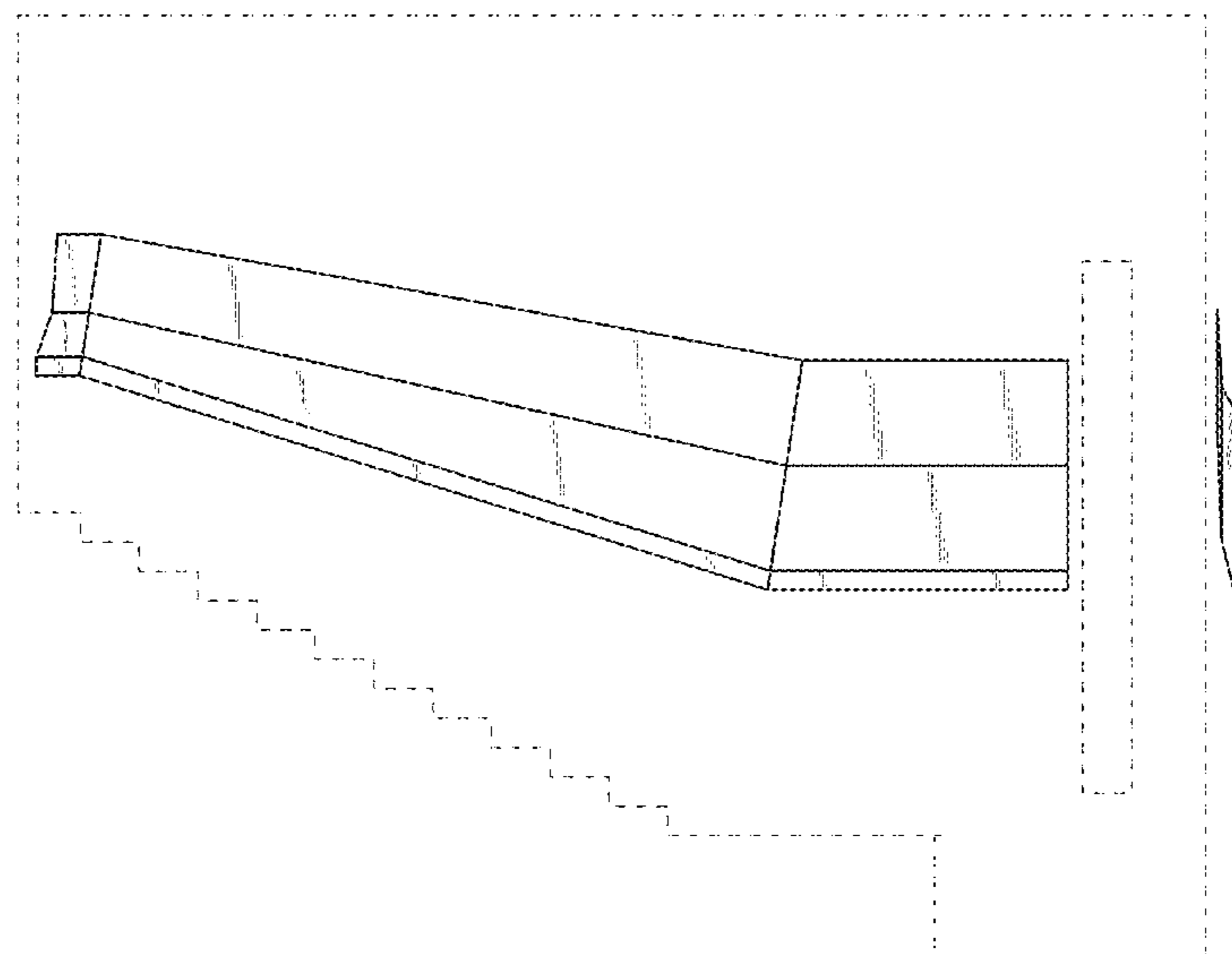
FIG. 1 is a front view of a panel showing my new design in an environment of use;
FIG. 2 is a right side view thereof;
FIG. 3 is a left side view thereof;
FIG. 4 is another front view thereof;
FIG. 5 is a rear view thereof;
FIG. 6 is a top view thereof; and,
FIG. 7 is a bottom view thereof.
The broken lines in FIG. 1 illustrate environmental subject matter which forms no part of the claimed design. The broken lines in FIGS. 2, 5 and 7 illustrate portions of the panel which form no part of the claimed design.

See application file for complete search history.

(56) **References Cited**
U.S. PATENT DOCUMENTS

D51,399 S 10/1917 Taylor
1,348,024 A 7/1920 McCarthy
D85,717 S 12/1931 Smith
1,845,080 A 2/1932 Eyring et al.
1,957,947 A 5/1934 Dreyfuss

1 Claim, 3 Drawing Sheets



(56)

References Cited

U.S. PATENT DOCUMENTS

3,143,194 A 8/1964 Hart
 D202,258 S 9/1965 Jaffe
 3,293,807 A 12/1966 Ramsell
 3,321,877 A 5/1967 Alexieff
 3,389,513 A 6/1968 Ruggles
 3,407,546 A 10/1968 Yates et al.
 3,427,767 A 2/1969 Schaefer
 3,439,459 A 4/1969 Silberkuhl
 3,531,851 A 10/1970 Douglas
 3,685,220 A 8/1972 Morrison
 3,823,517 A 7/1974 Penaloza
 3,854,266 A 12/1974 Salas
 3,874,141 A 4/1975 Olson et al.
 3,893,277 A 7/1975 Constant
 D239,279 S 3/1976 Johnson et al.
 4,180,950 A 1/1980 Foster
 4,227,334 A 10/1980 Hooker
 D257,742 S 12/1980 Gerlach
 D272,947 S 3/1984 Beasley, III
 D286,108 S 10/1986 Hanlon
 4,672,780 A 6/1987 Lockwood
 4,686,799 A 8/1987 Kwake
 D292,613 S 11/1987 Schwartz
 4,720,945 A 1/1988 Berranger et al.
 4,821,471 A 4/1989 Stephens et al.
 4,862,652 A 9/1989 Lockwood
 4,962,420 A 10/1990 Judenich
 5,069,008 A 12/1991 Ellen
 5,469,669 A 11/1995 Alter
 5,623,790 A 4/1997 Lalvani
 5,822,928 A 10/1998 Maxwell et al.
 5,899,842 A 5/1999 Di Pilla
 5,964,064 A 10/1999 Goddard et al.
 D416,633 S 11/1999 Horton
 6,006,476 A 12/1999 Zarnick
 6,237,668 B1 5/2001 Hitchings
 D473,952 S 4/2003 Smith et al.
 6,935,997 B2 8/2005 Kling
 D551,419 S 9/2007 Kleewein et al.
 7,743,880 B2 6/2010 Matsumura et al.
 7,794,019 B2 9/2010 Hoberman
 D630,767 S 1/2011 Teuffel et al.
 D667,966 S 9/2012 Ismay et al.
 D674,114 S 1/2013 Van De Ven

D685,133 S 6/2013 Yamamoto et al.
 D725,919 S 4/2015 Hidalgo
 D739,558 S 9/2015 Oehl et al.
 D739,559 S 9/2015 Oehl et al.
 D739,560 S 9/2015 Oehl et al.
 9,194,117 B2 11/2015 Hauptman et al.
 D774,207 S 12/2016 Oehl et al.
 9,551,161 B2 1/2017 Oehl et al.
 D839,452 S 1/2019 Frick
 D840,551 S 2/2019 Kilian et al.
 10,407,904 B2 9/2019 Gillette et al.
 D874,685 S * 2/2020 Frick D25/138
 D882,832 S * 4/2020 Frick D25/138
 10,662,647 B2 * 5/2020 Kilian E04B 9/225
 D886,332 S * 6/2020 Scharr D25/138
 10,760,265 B2 * 9/2020 Perdue E04B 1/84
 D905,293 S * 12/2020 Nencioni D25/138
 10,875,273 B2 * 12/2020 Tachi B31B 50/006
 10,907,371 B2 * 2/2021 Gorny E04H 3/22
 D921,229 S * 6/2021 Sørensen D25/138
 D935,642 S * 11/2021 Oehl D25/58
 11,191,354 B2 * 12/2021 Carson A47B 9/20
 D945,023 S * 3/2022 Kilian D25/138
 D950,777 S * 5/2022 Stants D25/138
 2003/0205016 A1 11/2003 Gulbrandsen et al.
 2006/0150530 A1 7/2006 Davey
 2010/0066818 A1 3/2010 Goto
 2016/0153208 A1 6/2016 Oehl et al.
 2021/0404179 A1 * 12/2021 Gritcai E04B 9/001

OTHER PUBLICATIONS

Cinema City Cotroceni Megaplex Opens in Bucharest; Global city Holdings at <<http://globalcityholdings.com/a/761,cinema-city-cotroceni-megaplex-opens-in-bucharest-23-november-2009->>, available at least as early as Nov. 23, 2009.
 Panasonic Center Osaka, Case Study—Projector, Panasonic, available at least as early as Nov. 30, 2014.
<http://archpaper.com/2011/11/wris-allen-theater-renovation-eventscape/>, posted Nov. 4, 2011.
<http://www.photonics.com/Article.aspx?AID=57609> Available Aug. 2015.
<http://www.behance.net/gallery/3806845/Photoshoot-Allen-Theatre-Cleveland-Ohio>, published May 1, 2012.
<http://www.youtube.com/watch?v=jvehbm4Qz-c>, posted Dec. 5, 2014.

* cited by examiner

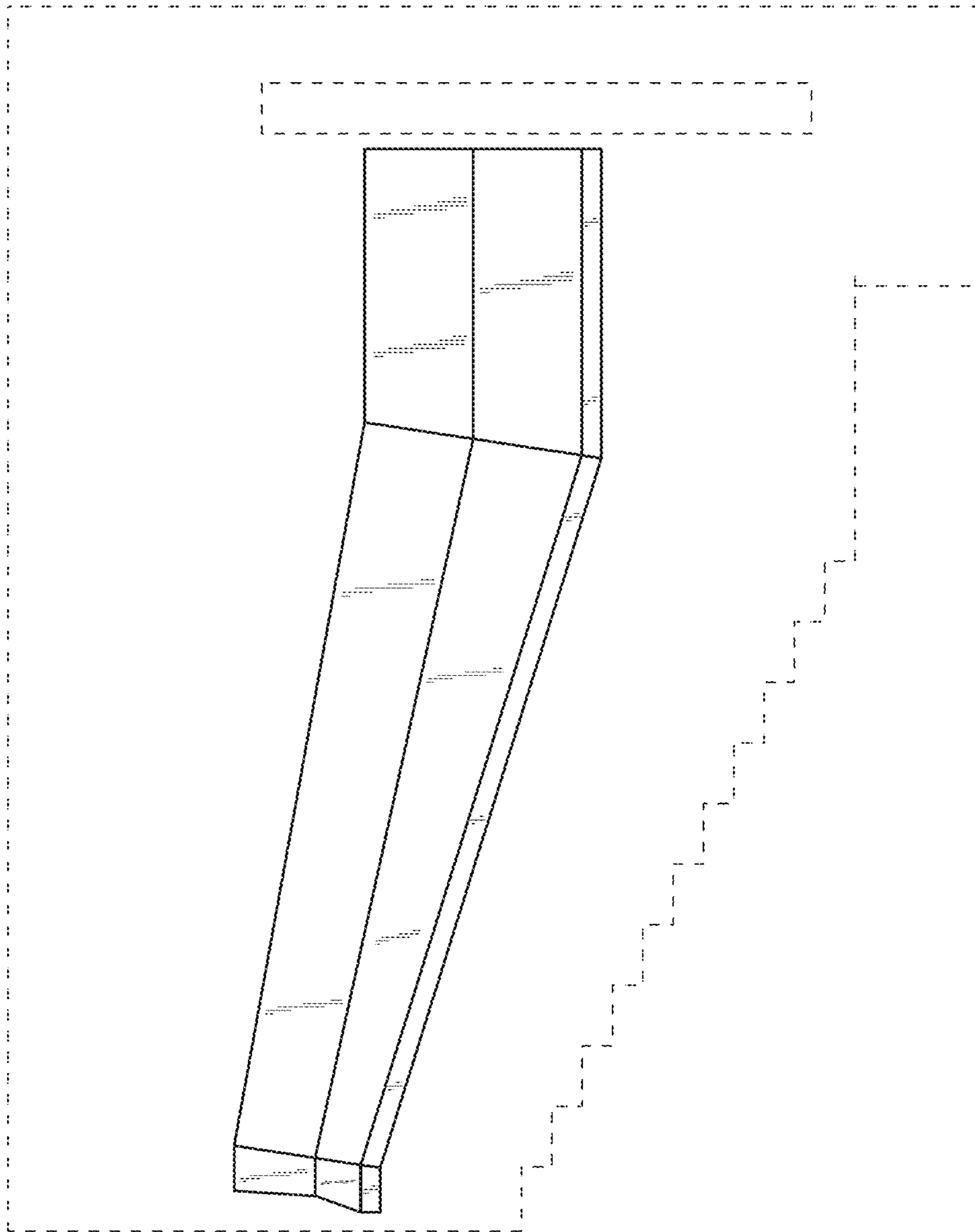


Fig. 1



Fig. 2



Fig. 3

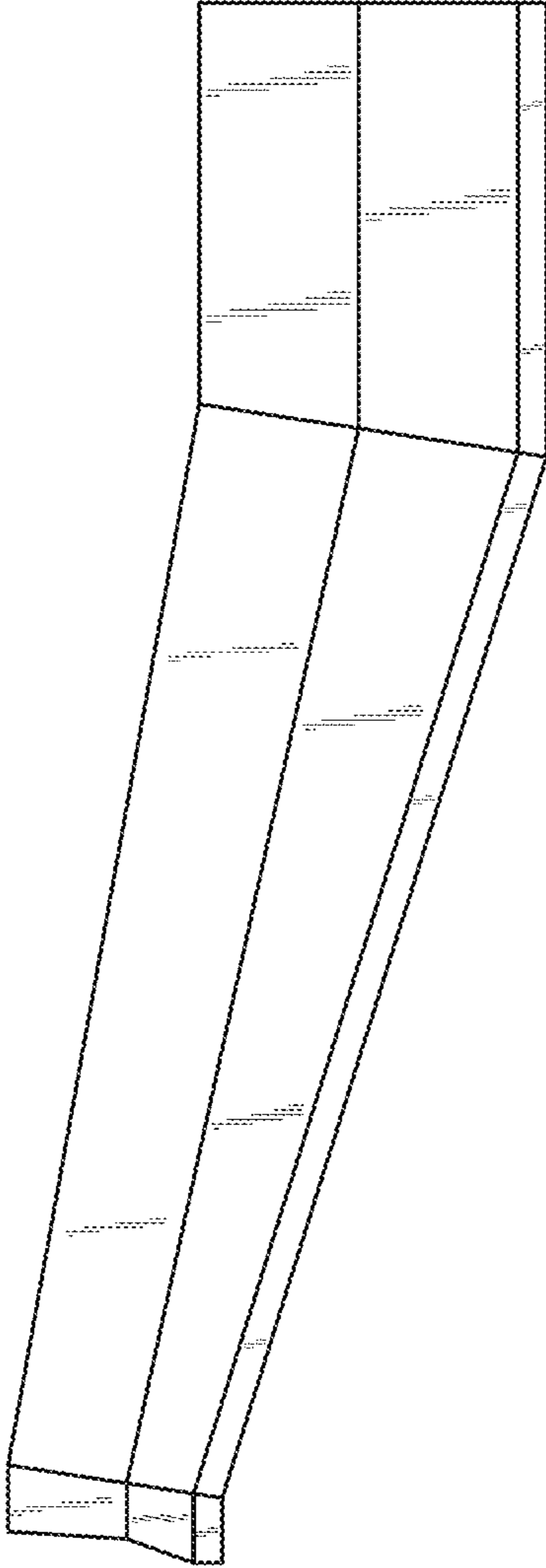


Fig. 4

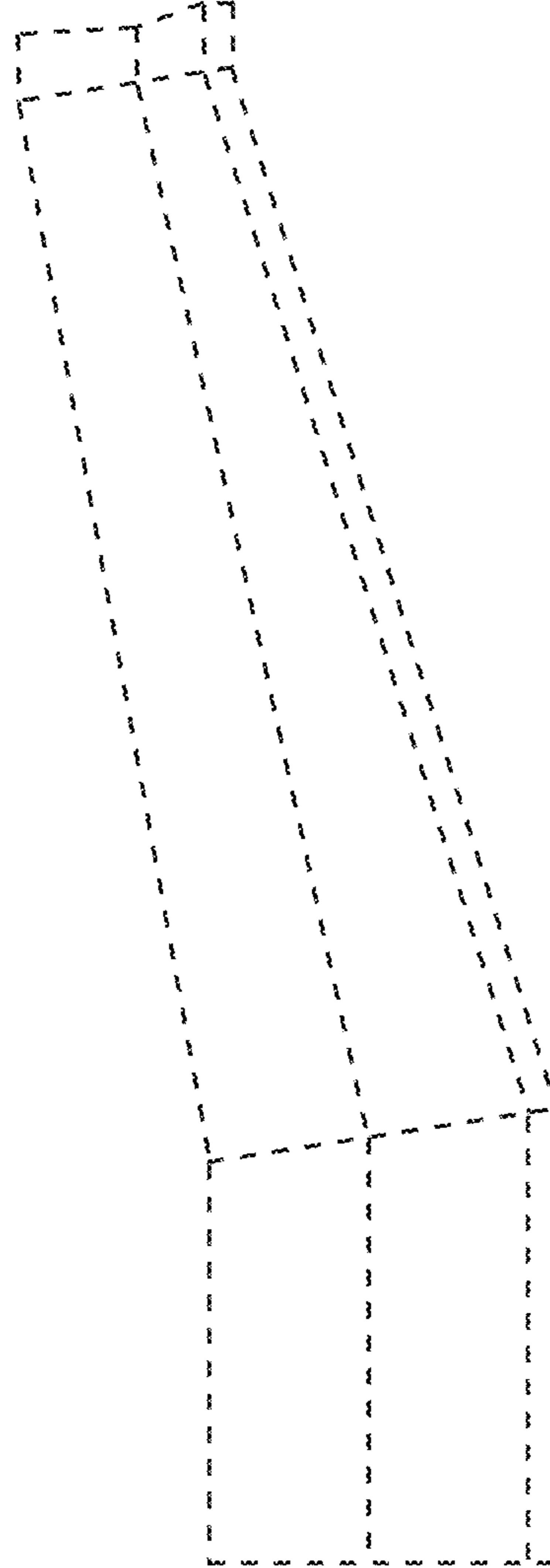


Fig. 5



Fig. 6

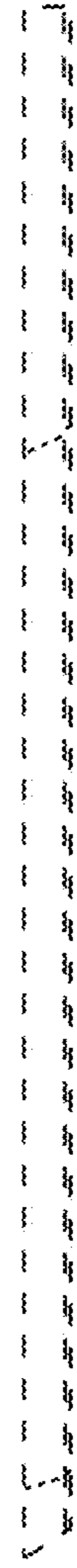


Fig. 7