



US00D971445S

(12) **United States Design Patent** (10) **Patent No.:** **US D971,445 S**
Baek (45) **Date of Patent:** **** Nov. 29, 2022**

(54) **SUPPORT PLATE FOR REINFORCING PILLAR**

(71) Applicant: **Kyoungpa Baek**, Seoul (KR)

(72) Inventor: **Kyoungpa Baek**, Seoul (KR)

(**) Term: **15 Years**

(21) Appl. No.: **29/772,224**

(22) Filed: **Feb. 28, 2021**

(51) **LOC (13) Cl.** **25-01**

(52) **U.S. Cl.**
USPC **D25/133**

(58) **Field of Classification Search**
USPC D25/125, 126, 127, 128, 129, 130, 131,
D25/132, 133, 134, 135, 136, 60, 61, 119,
D25/121, 124, 138, 164; D8/363, 364,
D8/381
CPC E04C 2003/0482; E04C 2003/0434; E04C
2003/043; E04C 2003/0465; E04C 3/30;
E04H 17/1413; E04H 17/063; E04H
14/16; E04H 17/20; E04H 12/2261; E04B
2/7881; Y10S 256/05; A47B 96/07; E04F
11/1812; E04G 21/3223
See application file for complete search history.

(56) **References Cited**

U.S. PATENT DOCUMENTS

D258,718 S *	3/1981	Collin	D8/399
D301,687 S *	6/1989	Cassidy	D8/399
D470,601 S *	2/2003	Kohlberger	D25/133
D513,536 S *	1/2006	Walker	D25/133
D530,834 S *	10/2006	Navare	D25/133
D531,325 S *	10/2006	Navare	D25/133
D739,563 S *	9/2015	Whiteley	D25/133
D752,775 S *	3/2016	Stacey	D25/133
D767,167 S *	9/2016	Masuda	D25/133

D782,708 S *	3/2017	Key	D25/133
D790,082 S *	6/2017	Guinn	D25/133
D856,537 S *	8/2019	Crawley	D25/131
D908,248 S *	1/2021	Crawley	D25/133
11,208,774 B2 *	12/2021	Crawley	E01F 13/028
D952,570 S *	5/2022	Beristany	D13/156

* cited by examiner

Primary Examiner — Samantha Q Lawrence

(74) *Attorney, Agent, or Firm* — Mark M. Friedman

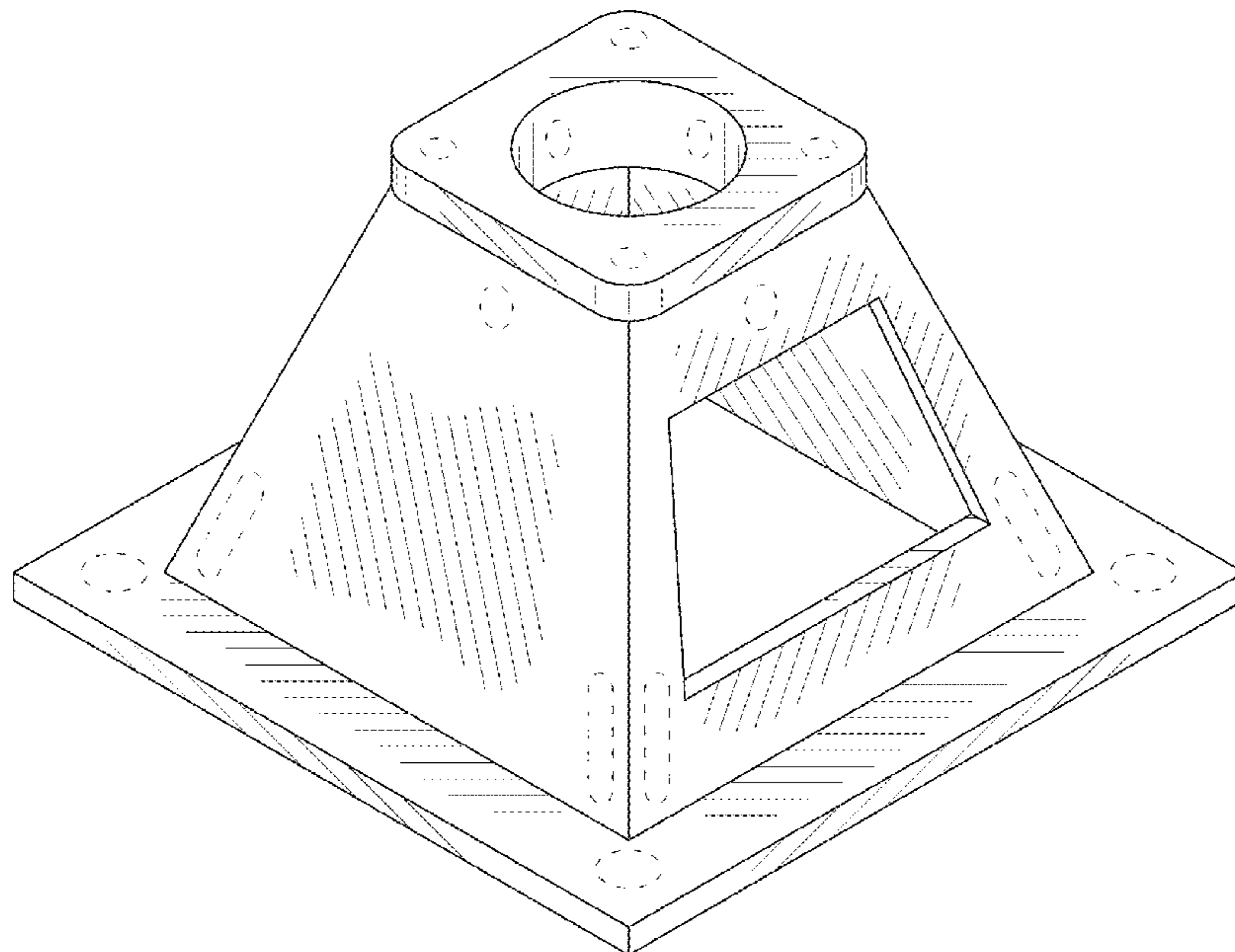
(57) **CLAIM**

The ornamental design for a support plate for reinforcing pillar, as shown and described.

DESCRIPTION

FIG. 1 is a perspective view of a support plate for reinforcing pillar, showing my new design;
FIG. 2 is a front view thereof, the rear view is a mirror image of the front view;
FIG. 3 is a left side view thereof, the right side view is a mirror image of the left side view;
FIG. 4 is a top view thereof;
FIG. 5 is a bottom view thereof;
FIG. 6 is a perspective view of a support plate for reinforcing pillar according to a second embodiment;
FIG. 7 is a front view thereof, the rear view is a mirror image of the rear front side view;
FIG. 8 is a left side view thereof, the right side view is a mirror image of the left side view;
FIG. 9 is a top view thereof; and,
FIG. 10 is a bottom view thereof.
The broken line illustrations in the drawings depict portions of the support plate for reinforcing pillar that form no part of the claimed design.

1 Claim, 10 Drawing Sheets



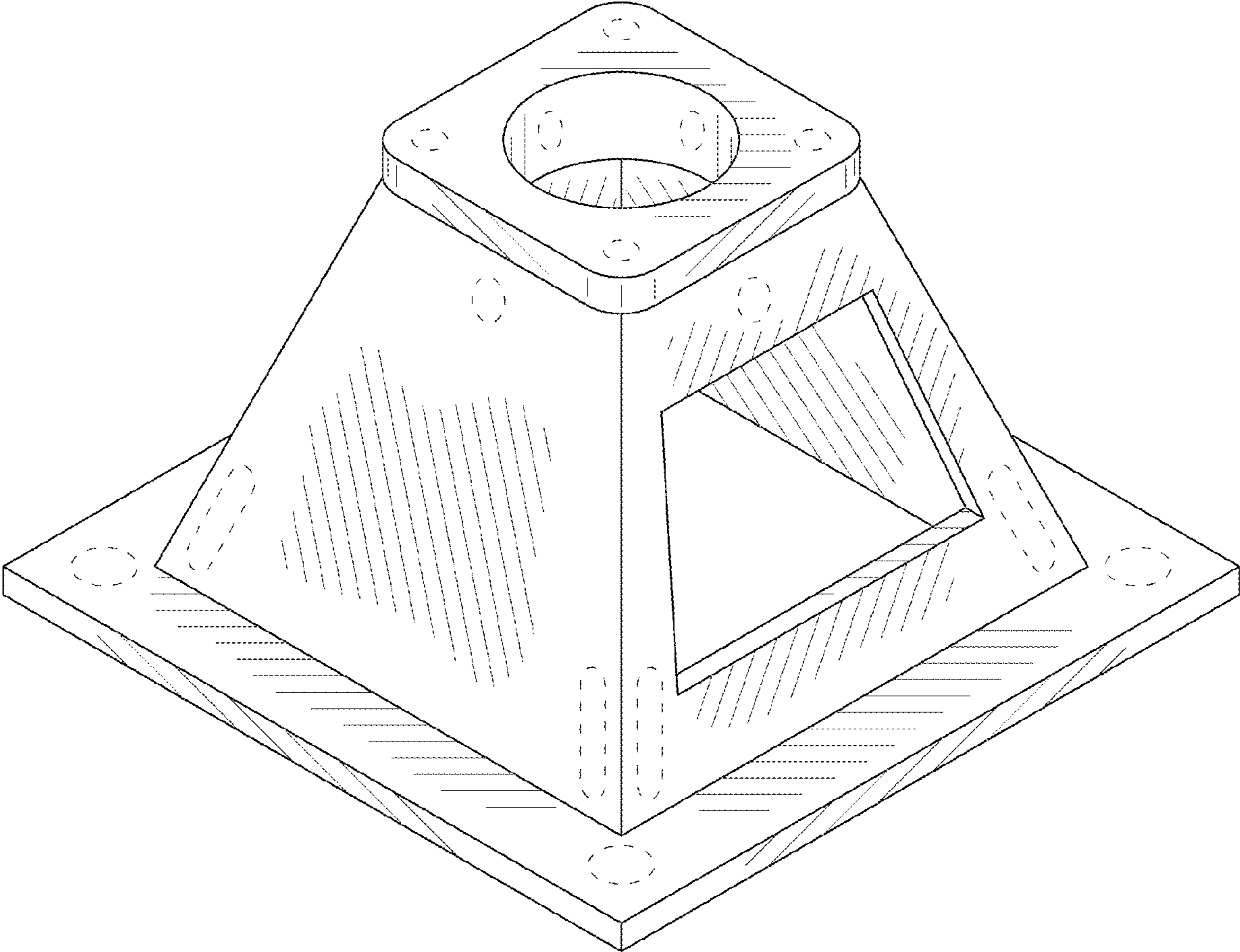


FIG. 1

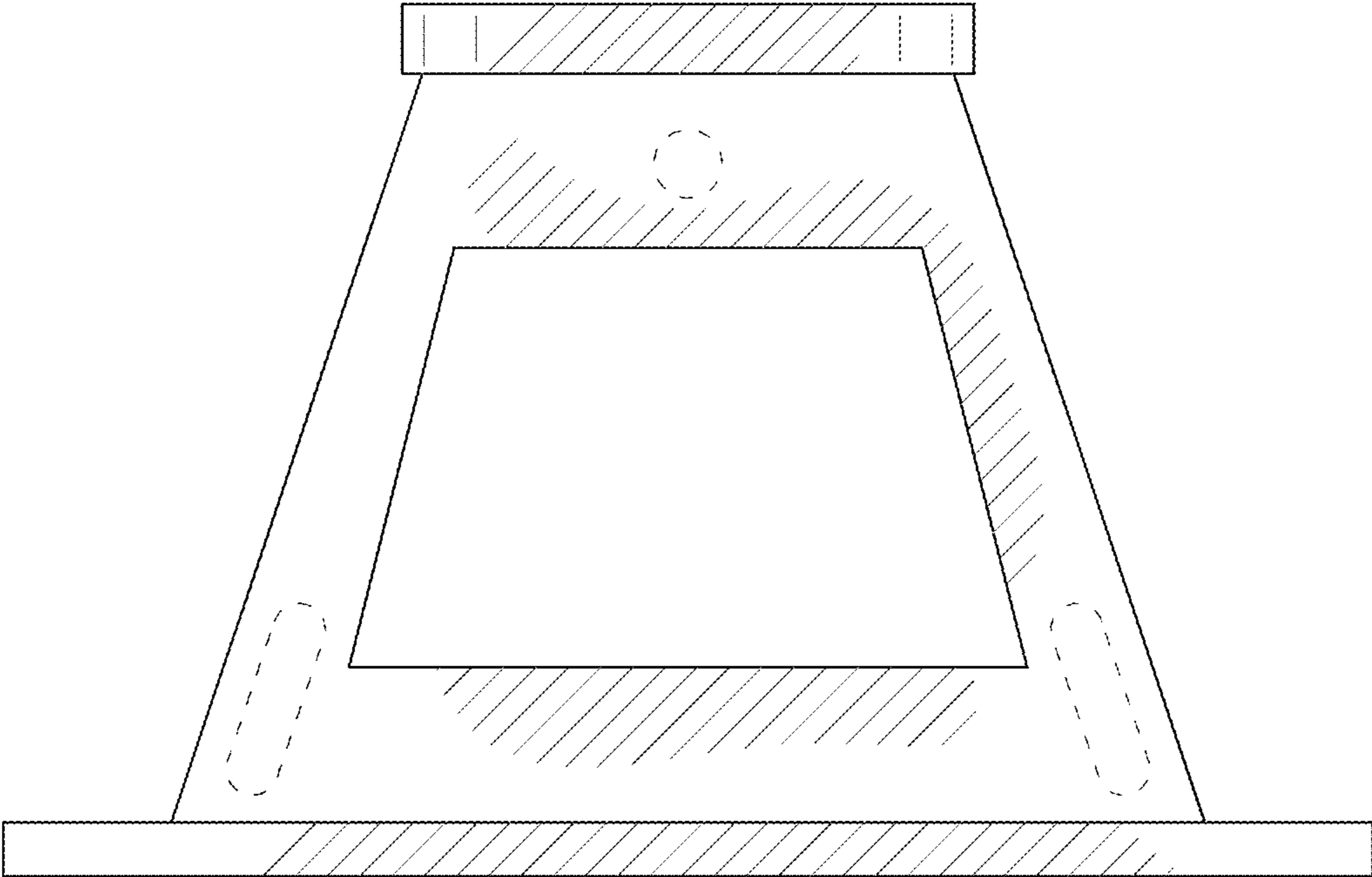


FIG. 2

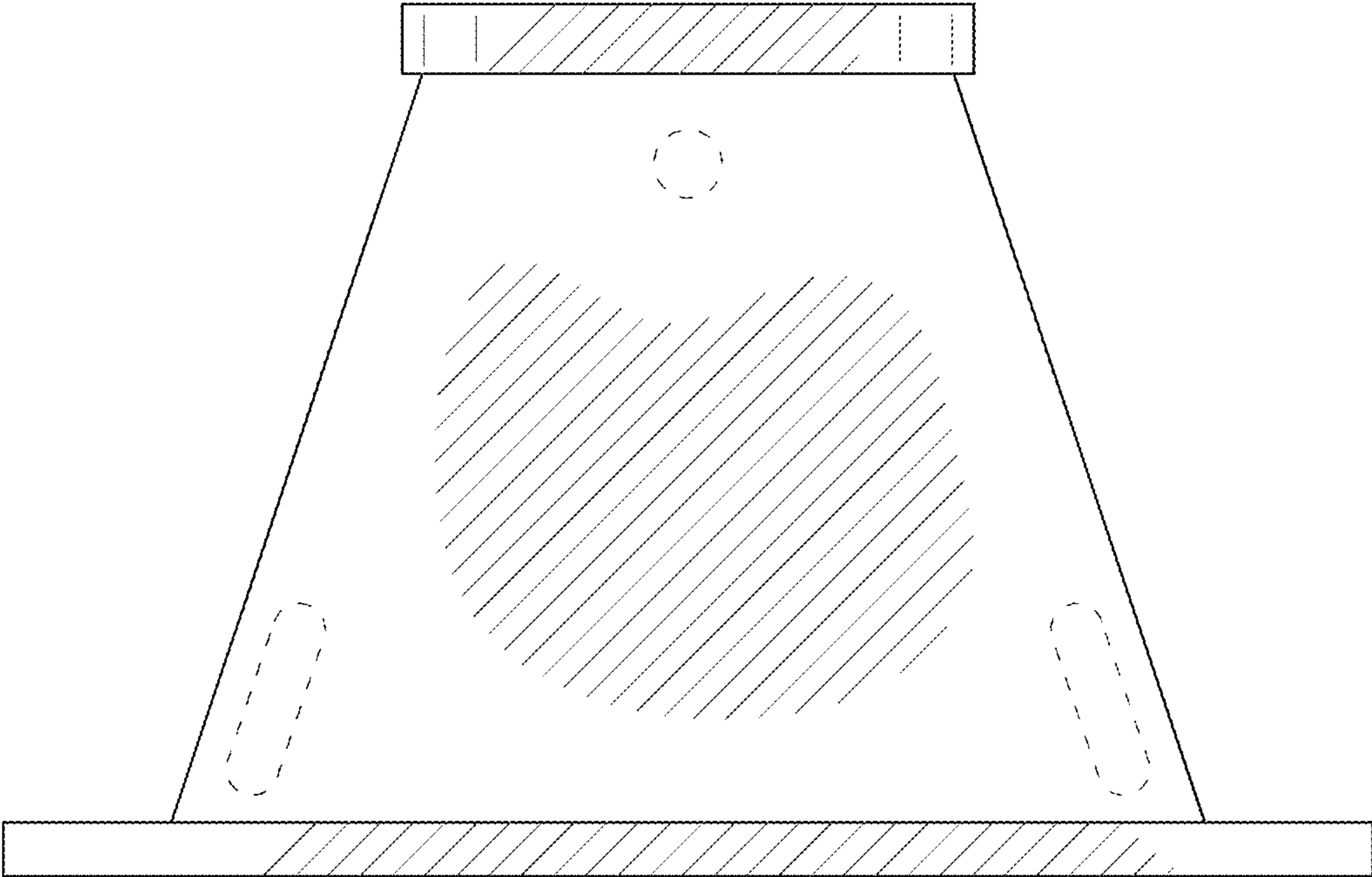


FIG. 3

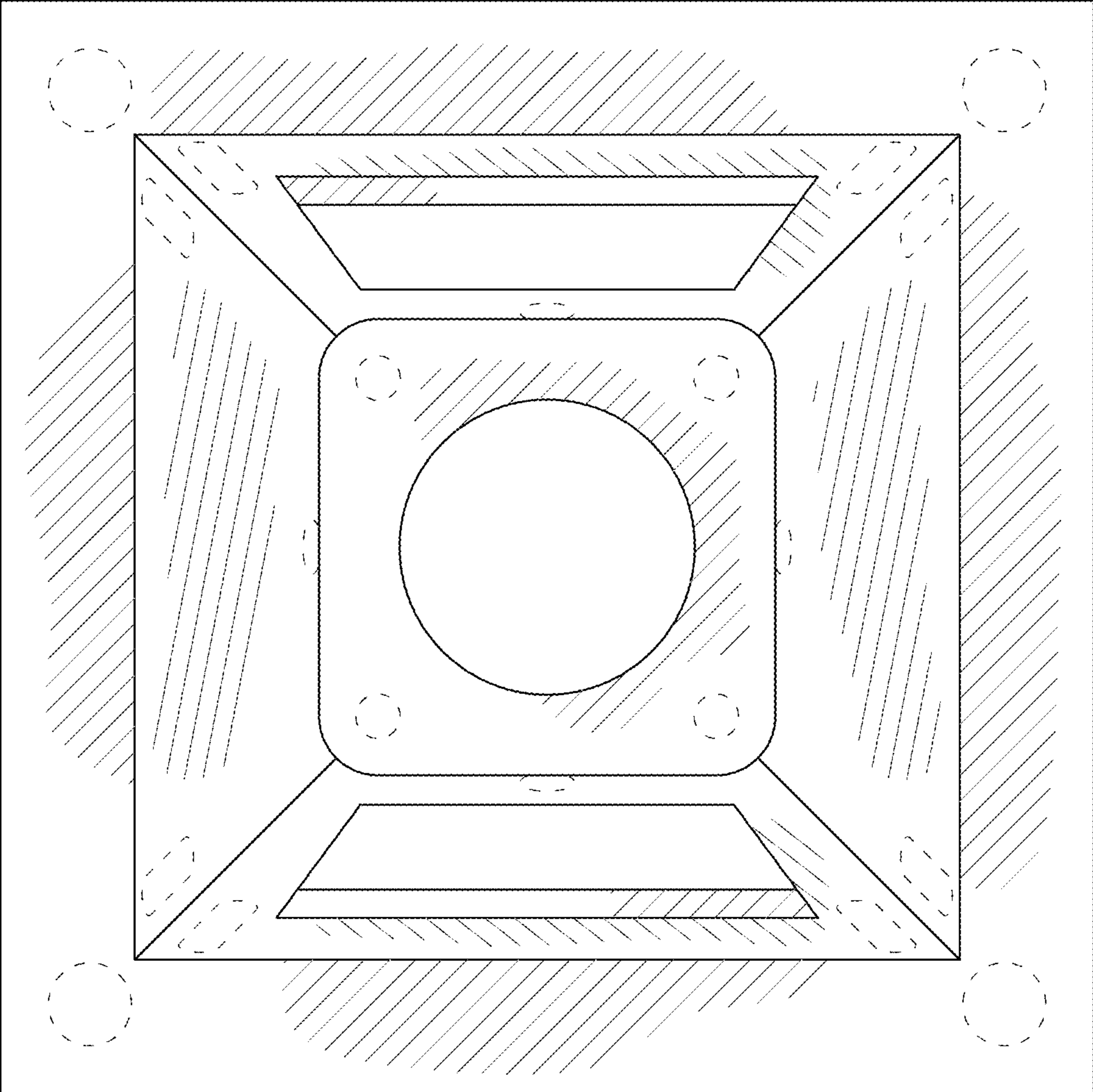


FIG. 4

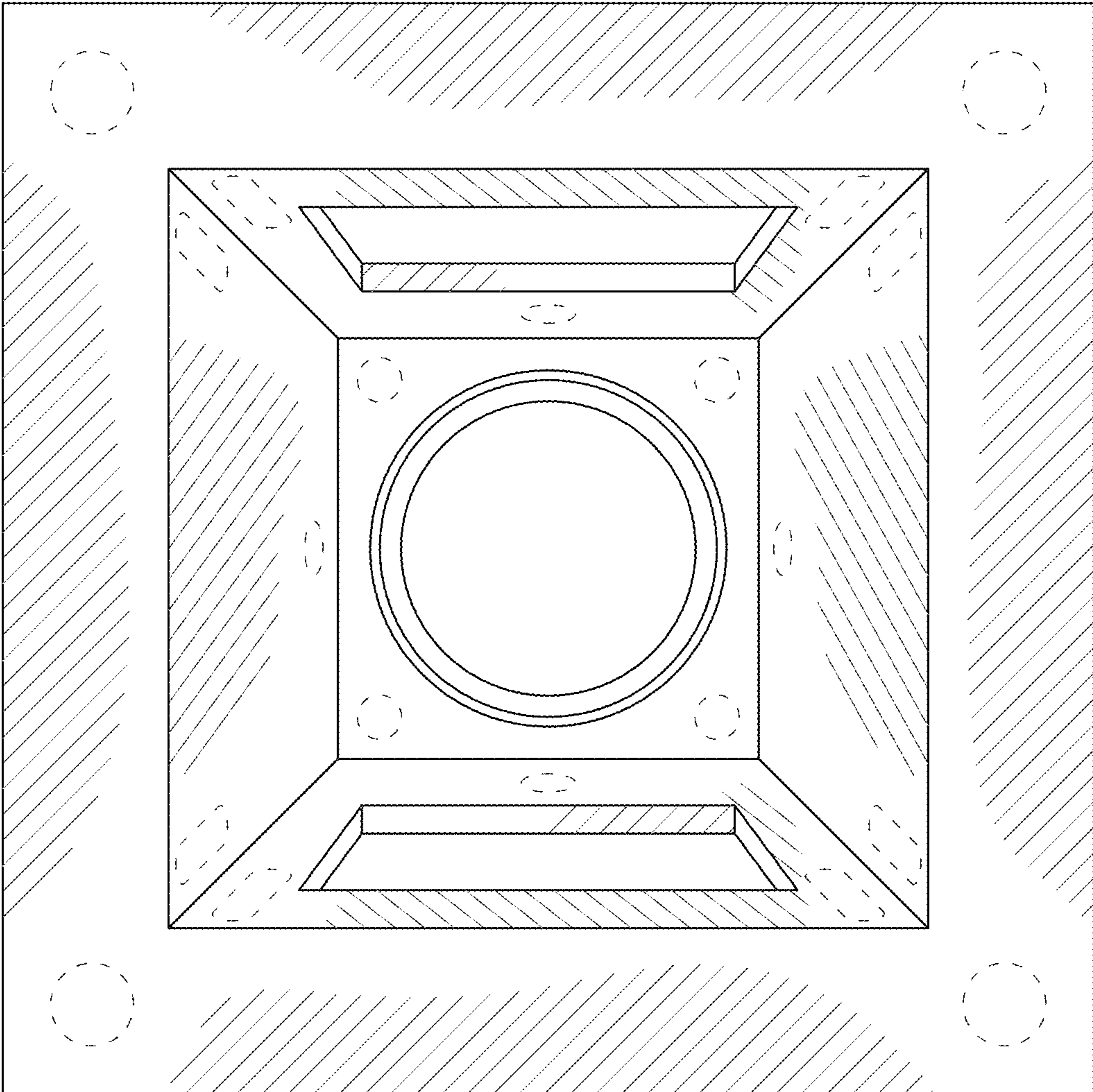


FIG. 5

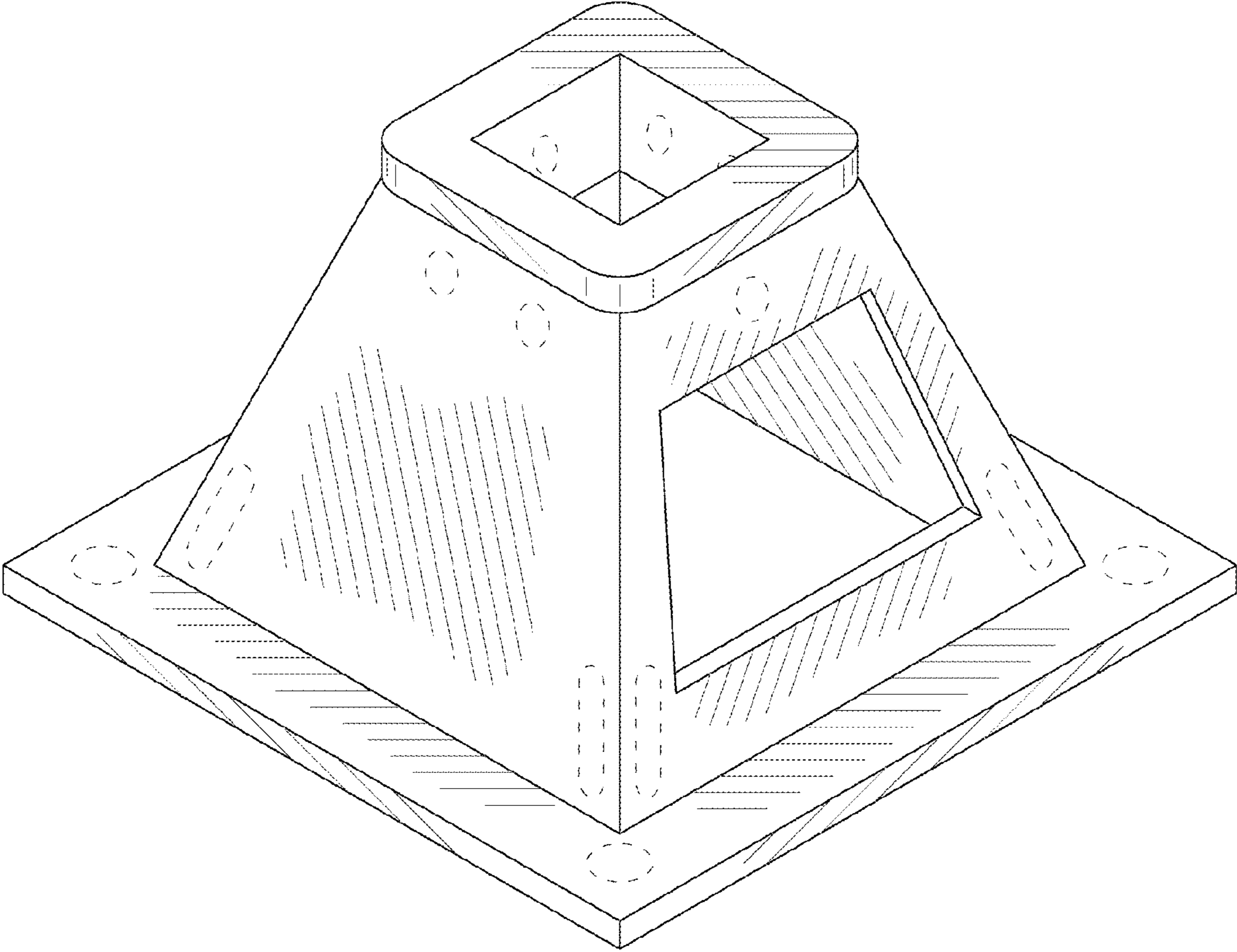


FIG. 6

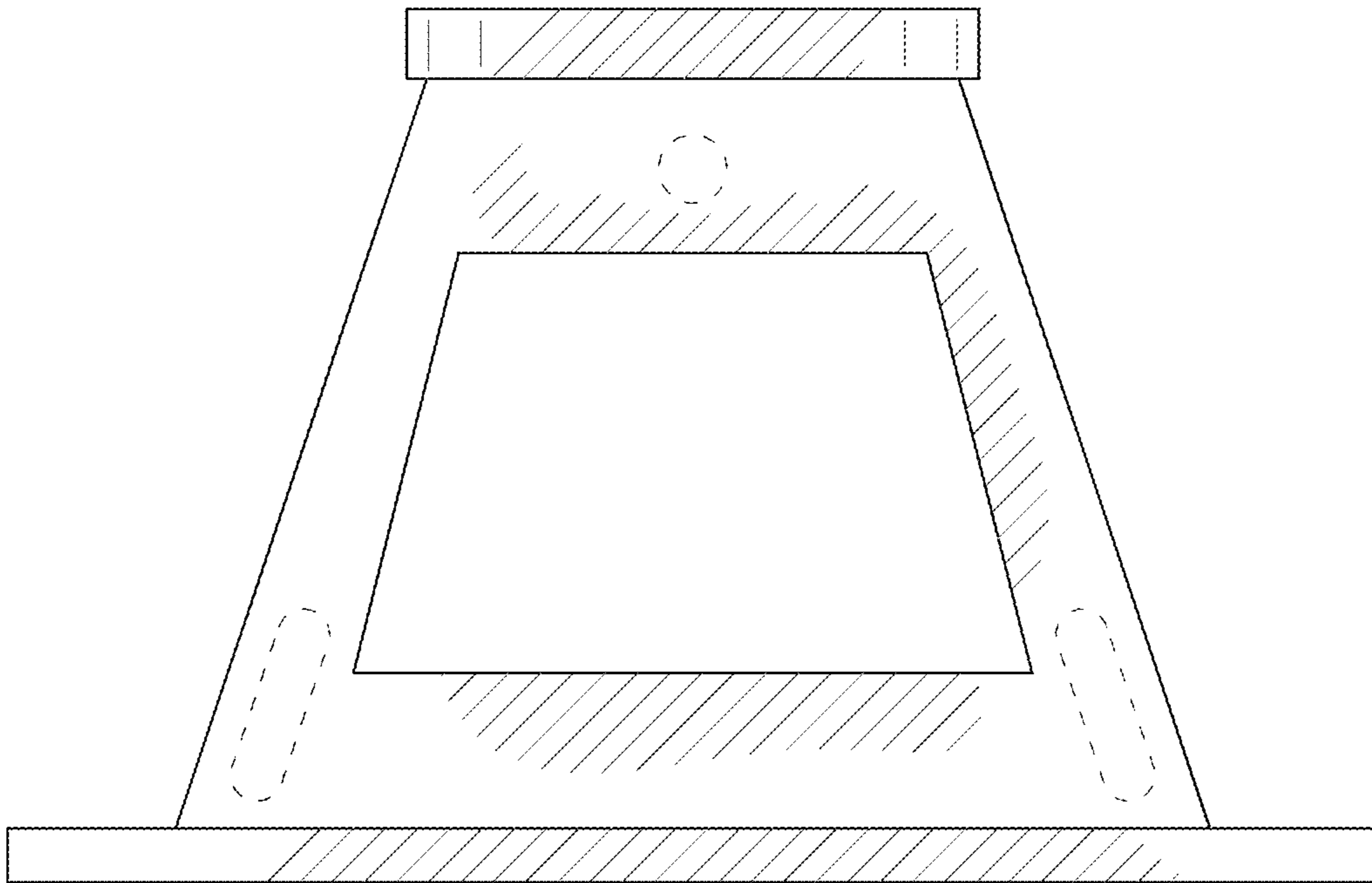


FIG. 7

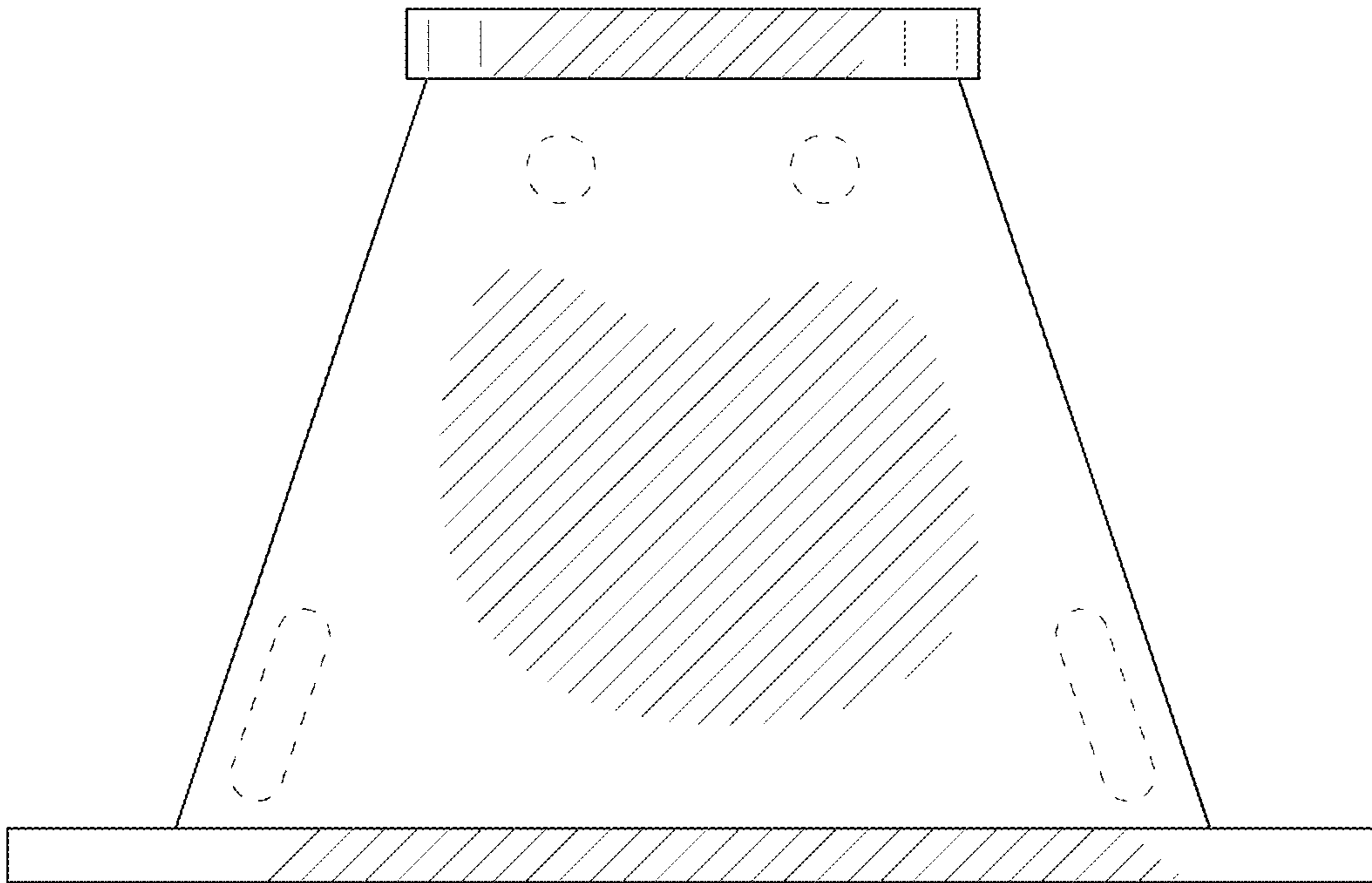


FIG. 8

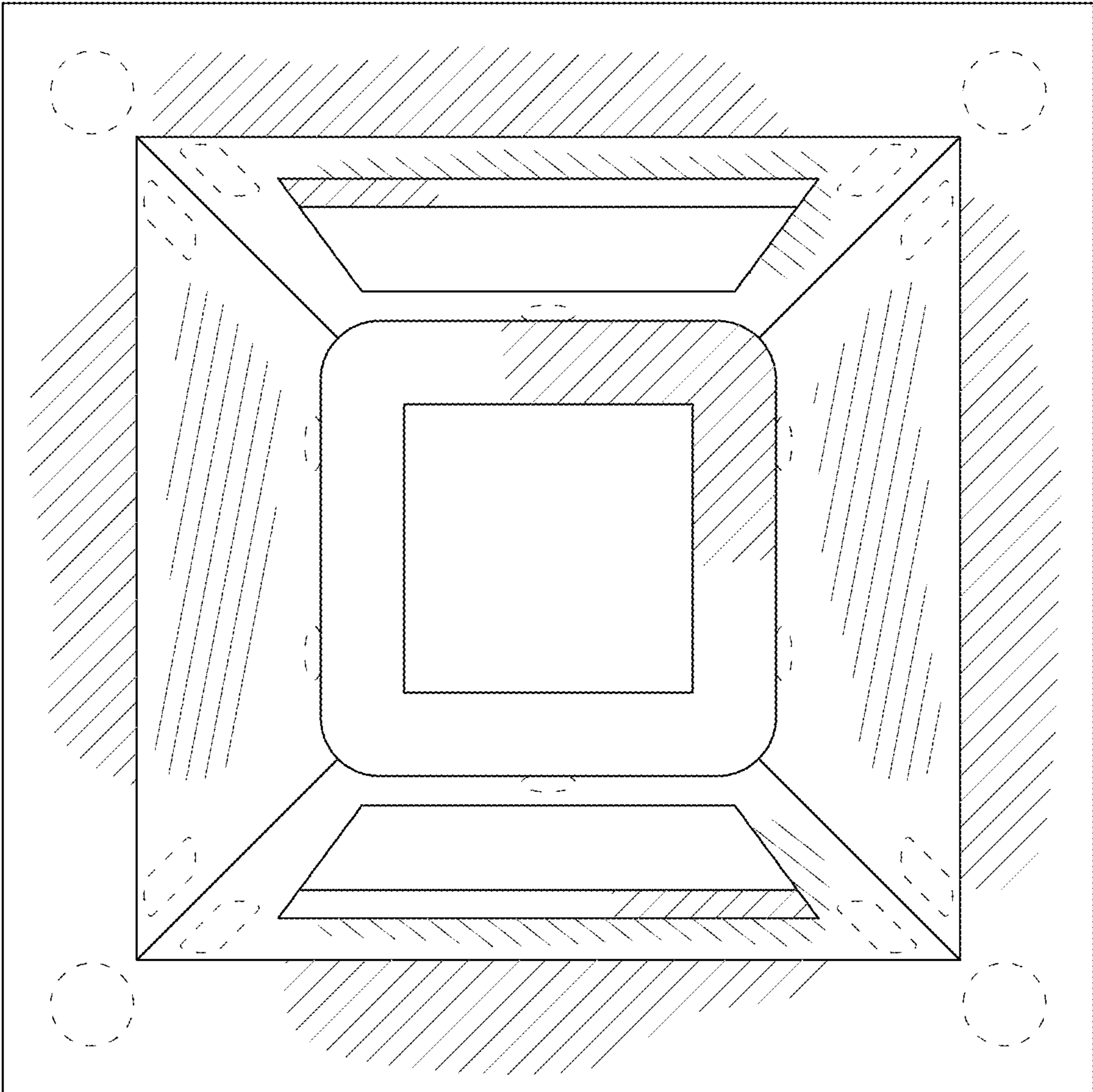


FIG. 9

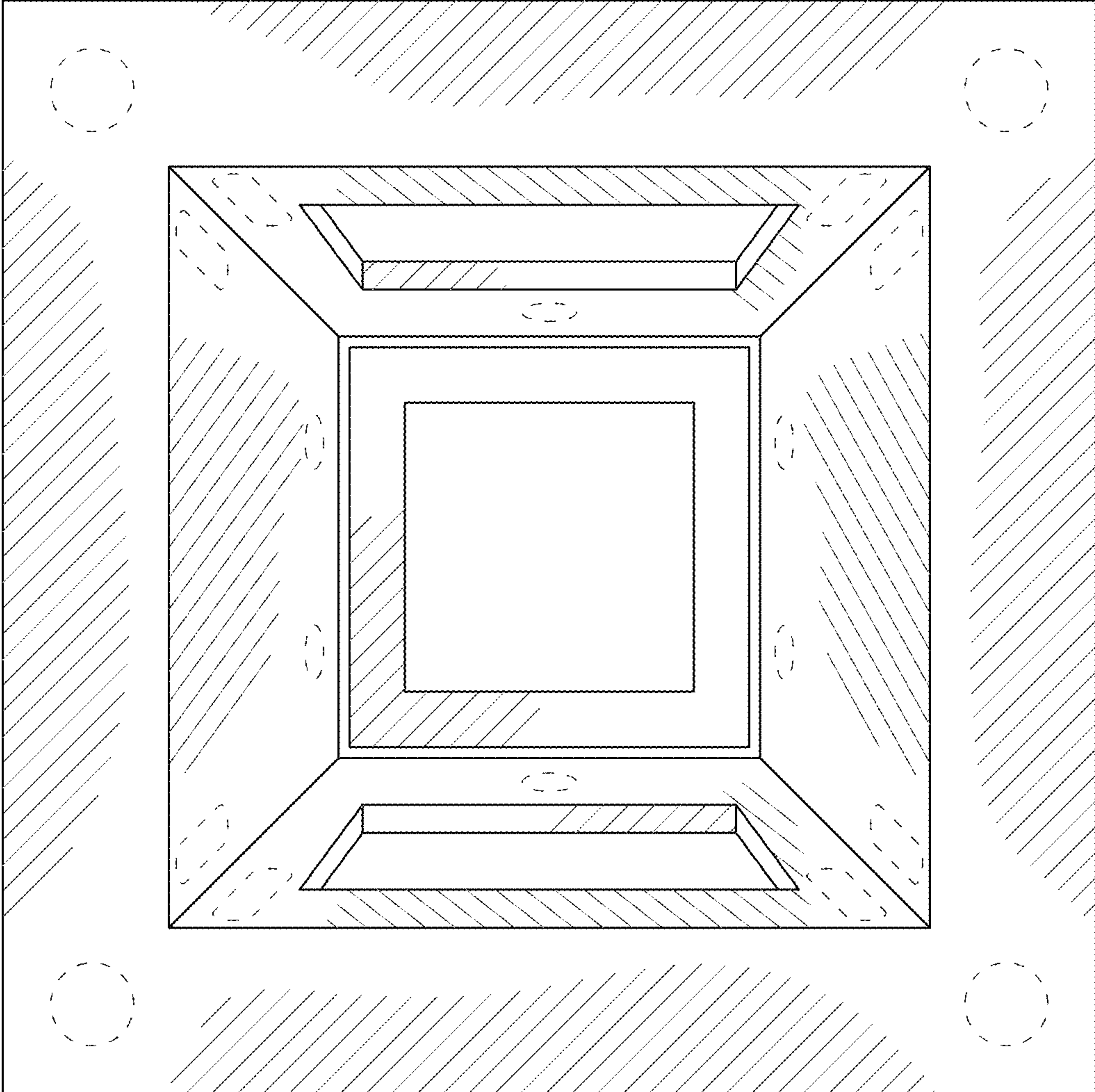


FIG. 10