



US00D971444S

(12) **United States Design Patent** (10) **Patent No.:** **US D971,444 S**  
**von Langsdorff** (45) **Date of Patent:** **\*\* \*Nov. 29, 2022**

- (54) **PAVING STONE** 5,503,498 A \* 4/1996 Scheiwiller ..... E01C 5/00  
52/603
- (71) Applicant: **F. von Langsdorff Licensing Limited,** D423,114 S \* 4/2000 Fifield ..... D25/115  
Caledon (CA) D426,317 S \* 6/2000 Fifield ..... D25/114  
D431,305 S \* 9/2000 Barth ..... D25/113
- (72) Inventor: **Harald von Langsdorff,** Caledon (CA) D498,543 S \* 11/2004 Schmitz ..... D25/113  
D508,739 S \* 8/2005 Shillingburg ..... D25/113
- (73) Assignee: **F. von Langsdorff Licensing Limited,** 6,948,282 B2 \* 9/2005 Bott ..... E04C 1/395  
Caledon (CA) 52/98
- (\*) Notice: This patent is subject to a terminal dis- D510,443 S \* 10/2005 Von Langsdorff ..... D25/112  
claimer. D511,012 S \* 10/2005 von Langsdorff ..... D25/113  
D512,519 S \* 12/2005 Crump ..... D25/112
- (\*\*) Term: **15 Years** D521,592 S \* 5/2006 von Langsdorff ..... D25/113  
7,811,027 B2 \* 10/2010 Scheiwiller ..... E01C 5/00  
52/603
- (21) Appl. No.: **29/792,311** 8,500,362 B2 \* 8/2013 Steffen ..... E01C 5/06  
404/34
- (22) Filed: **Mar. 21, 2022** D704,859 S \* 5/2014 Gleason ..... D25/113  
D737,467 S \* 8/2015 Thomassen ..... D25/113  
9,315,950 B2 \* 4/2016 Browning ..... E01C 5/065  
9,951,527 B2 \* 4/2018 Lundell ..... E04F 15/02183

**Related U.S. Application Data**

- (60) Division of application No. 29/707,727, filed on Sep. 30, 2019, now Pat. No. Des. 950,106, which is a continuation-in-part of application No. 29/572,840, filed on Jul. 31, 2016, now Pat. No. Des. 864,420.
- (51) **LOC (13) Cl.** ..... **25-01**
- (52) **U.S. Cl.**  
USPC ..... **D25/113**
- (58) **Field of Classification Search**  
USPC ..... D25/102, 113, 115, 118; D21/484  
CPC ... E01C 5/00; E01C 5/06; E01C 5/006; E01C  
2201/02; E01C 9/004; E01C 13/04; E04F  
15/02  
See application file for complete search history.

**References Cited**

**U.S. PATENT DOCUMENTS**

- 2,141,397 A \* 12/1938 Locke ..... E04B 2/42  
52/564
- 2,498,276 A \* 2/1950 Kany ..... E04B 2/42  
52/438

(Continued)

*Primary Examiner* — Kimberly Barnes  
(74) *Attorney, Agent, or Firm* — CPST Intellectual Property Inc; Santosh K. Charl

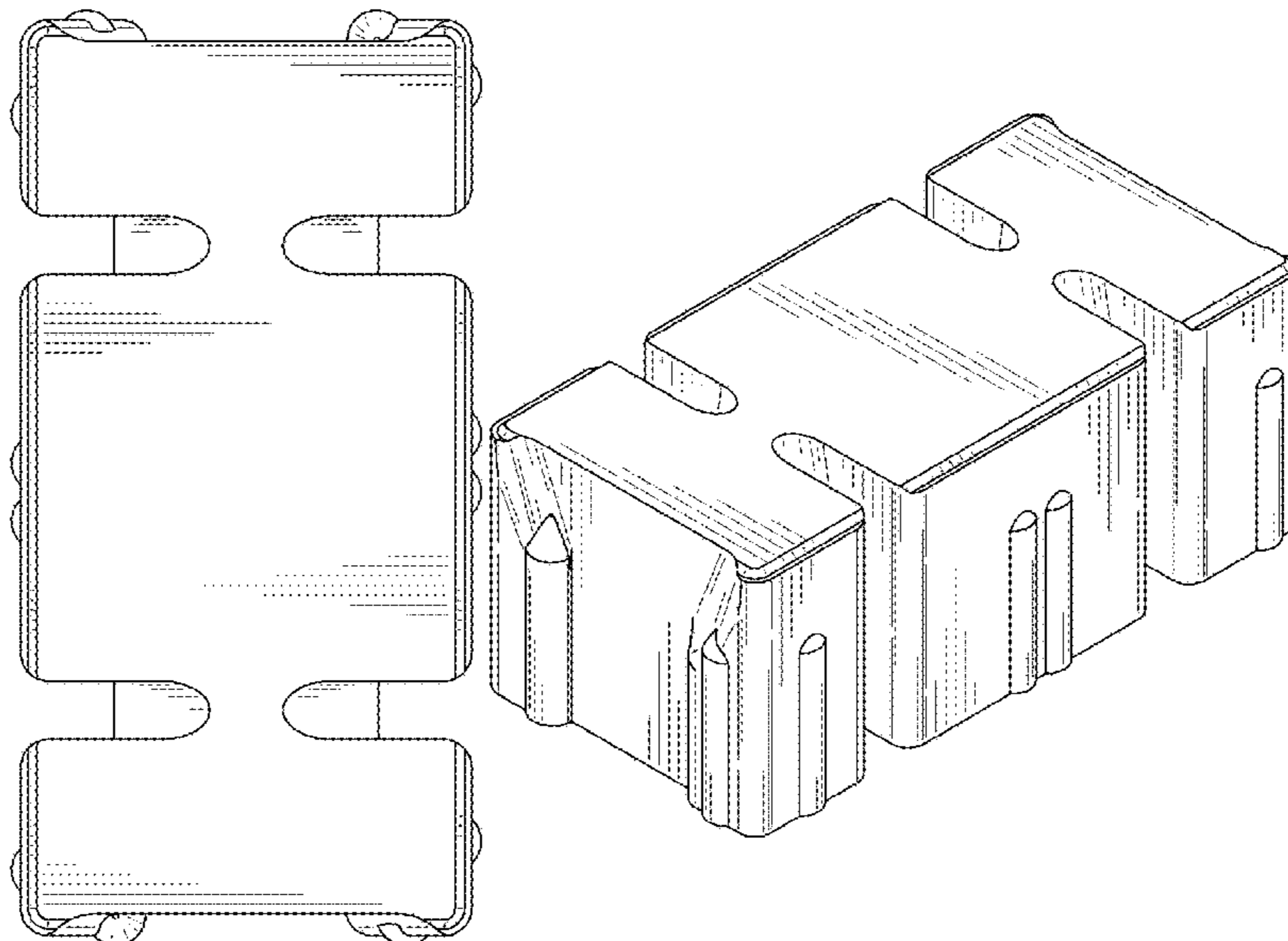
(57) **CLAIM**

The ornamental design for a paving stone, substantially as shown and described.

**DESCRIPTION**

FIG. 1 is a top view of a paving stone showing my new design.  
FIG. 2 is a bottom view of the paving stone of FIG. 1.  
FIG. 3 is a front view of the paving stone of FIG. 1.  
FIG. 4 is a rear view of the paving stone of FIG. 1.  
FIG. 5 is a right side view of the paving stone of FIG. 1.  
FIG. 6 is a left side view of the paving stone of FIG. 1; and,  
FIG. 7 is a front, right perspective view of the paving stone of FIG. 1.

**1 Claim, 3 Drawing Sheets**



(56)

**References Cited**

U.S. PATENT DOCUMENTS

D844,181 S \* 3/2019 Lundell ..... D25/113  
D864,420 S \* 10/2019 von Langsdorff ..... D25/113  
D896,997 S \* 9/2020 von Langsdorff ..... D25/113  
D900,340 S \* 10/2020 von Langsdorff ..... D25/113  
D950,106 S \* 4/2022 von Langsdorff ..... D25/113  
11,384,487 B2 \* 7/2022 Schroeder ..... E01C 5/00  
2006/0101762 A1 \* 5/2006 Shillingburg ..... E04C 1/395  
52/503  
2021/0269987 A1 \* 9/2021 Schroeder ..... E01C 5/00

\* cited by examiner

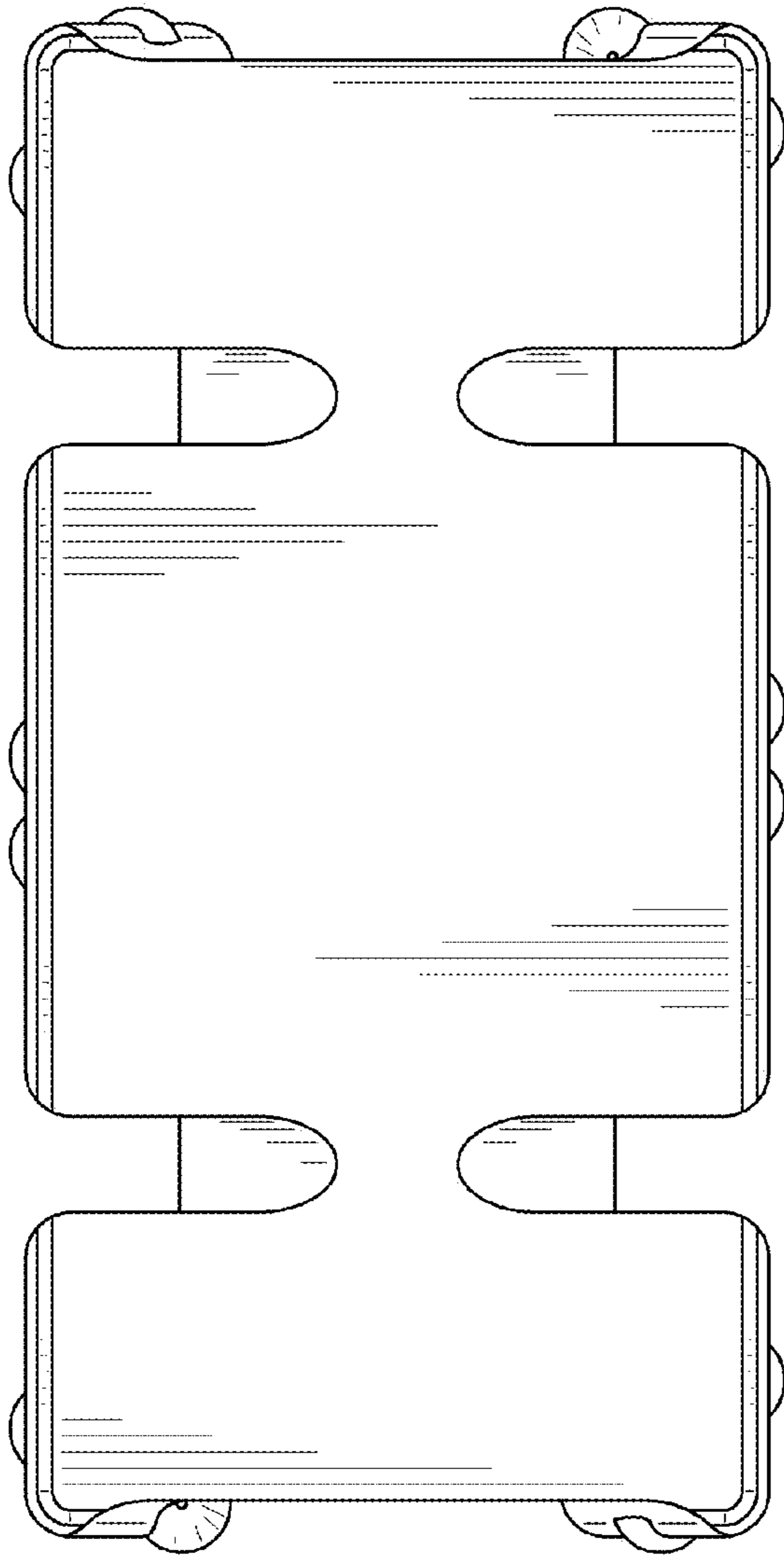


FIG. 1

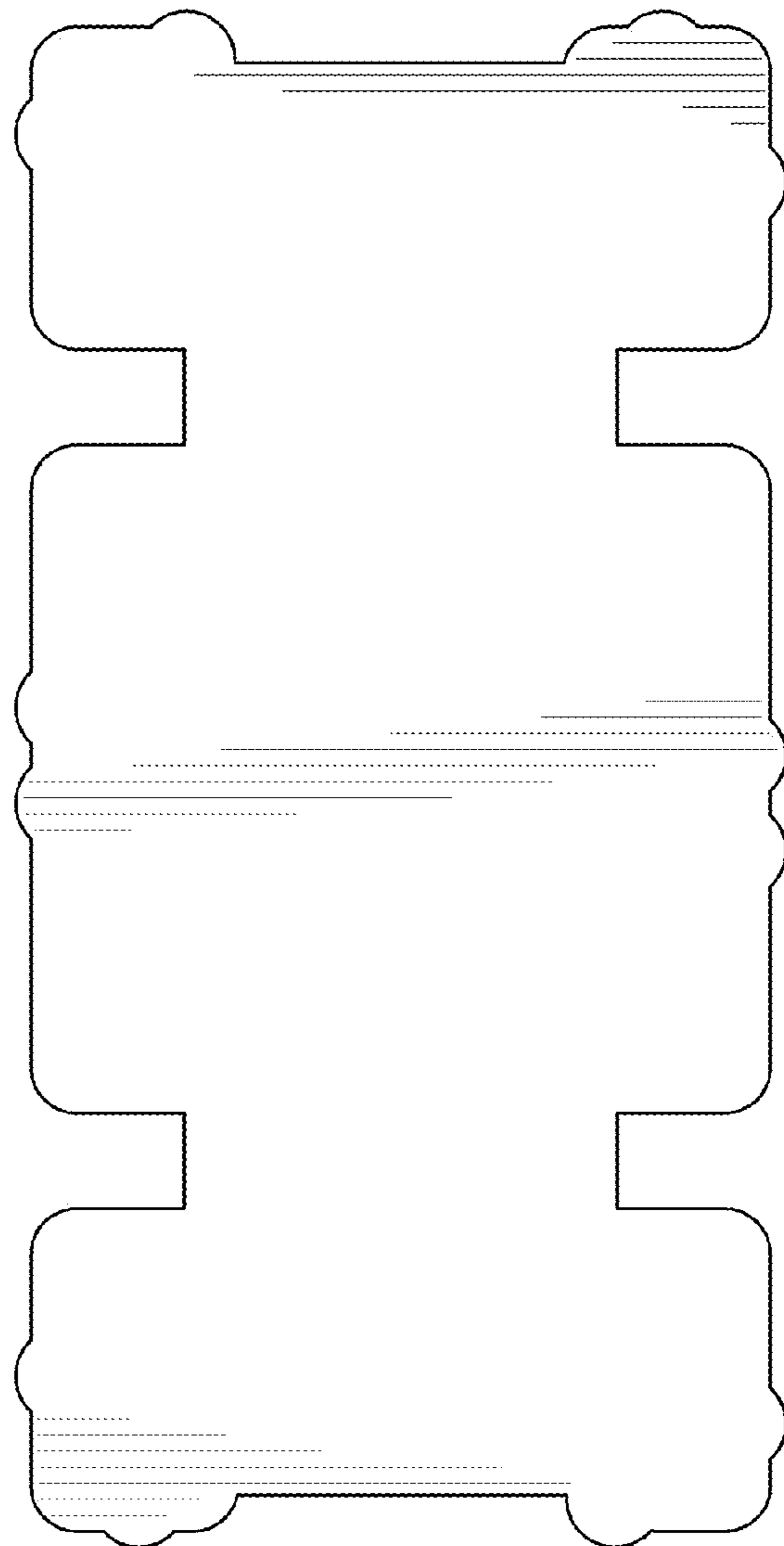


FIG. 2

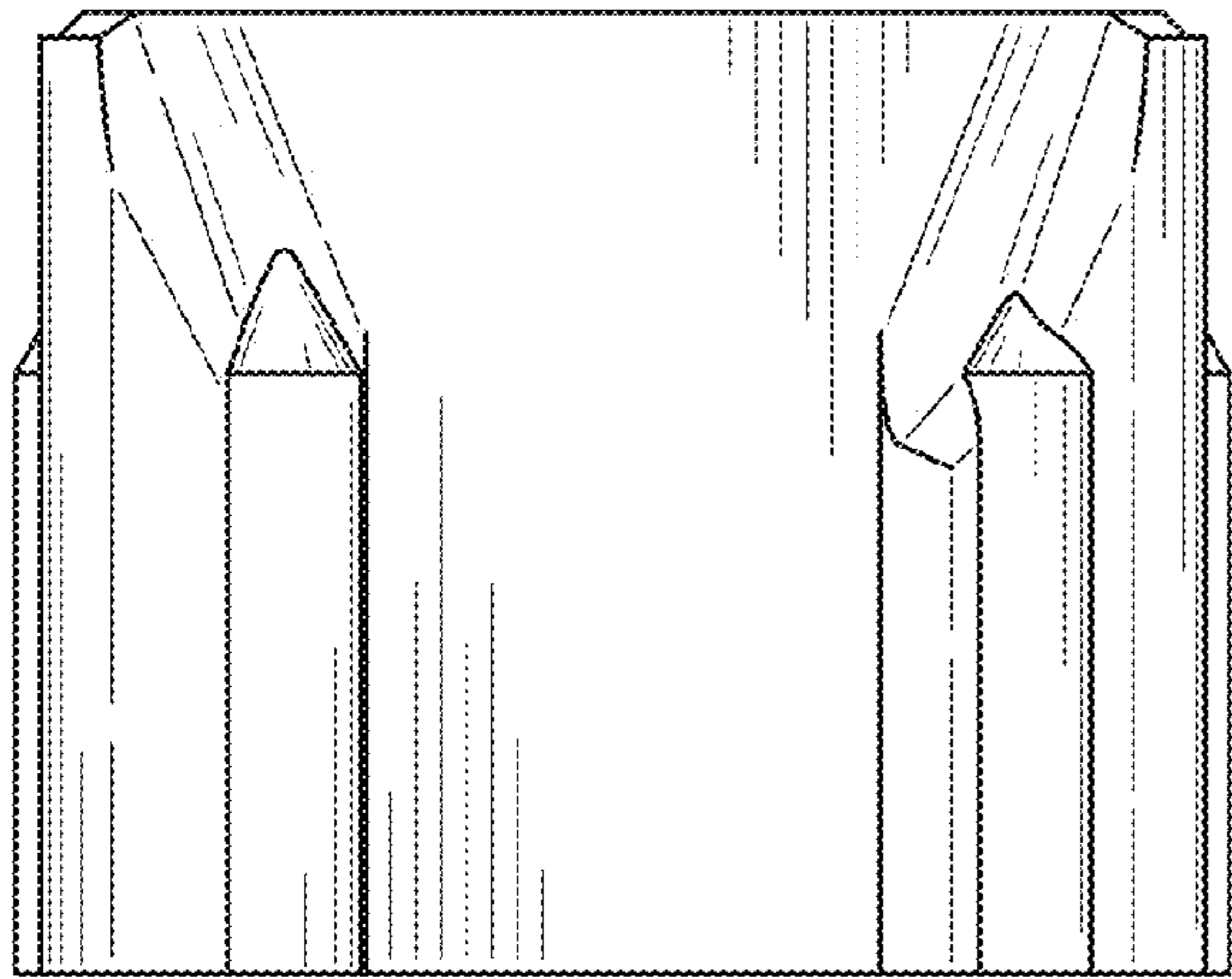


FIG. 3

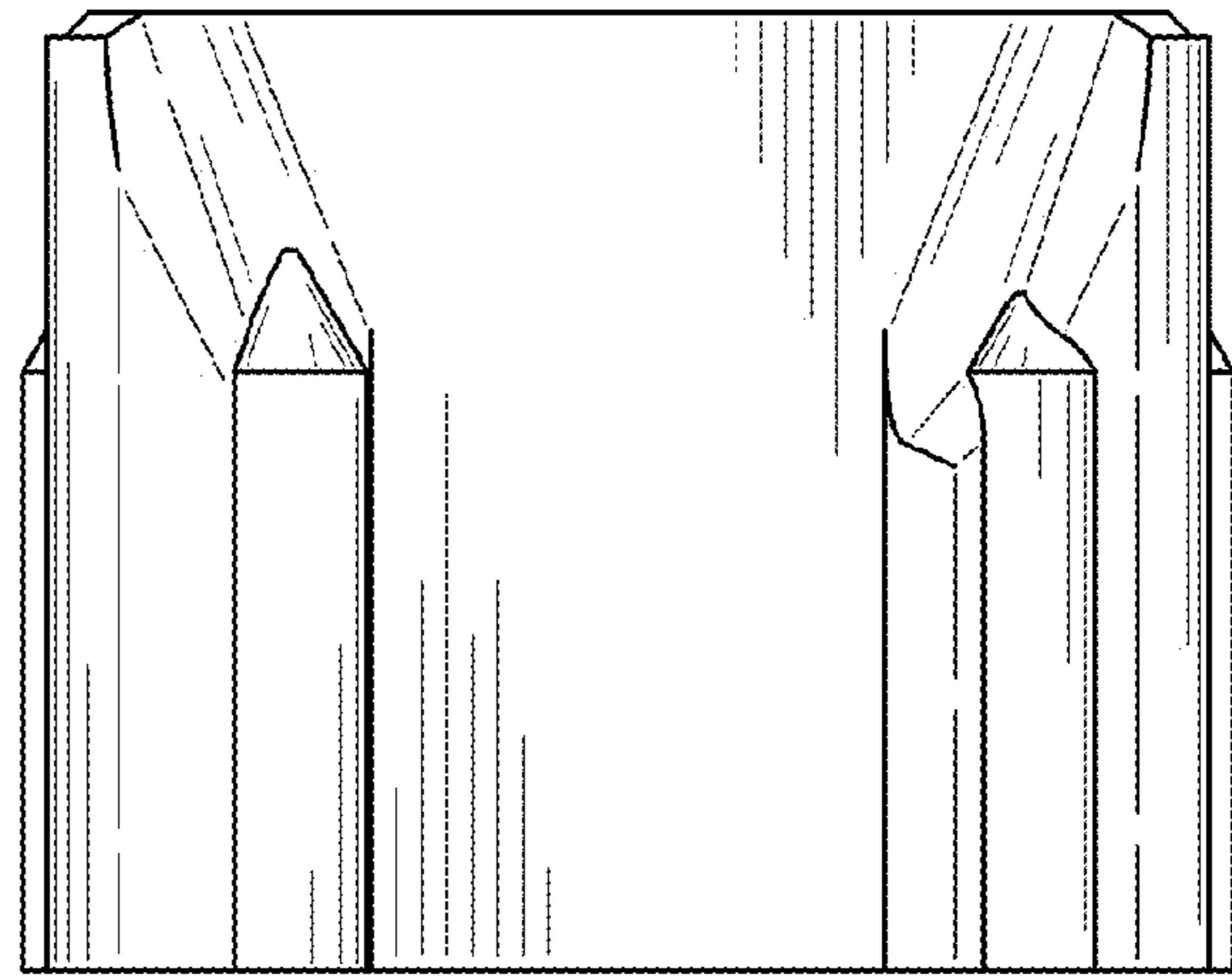


FIG. 4

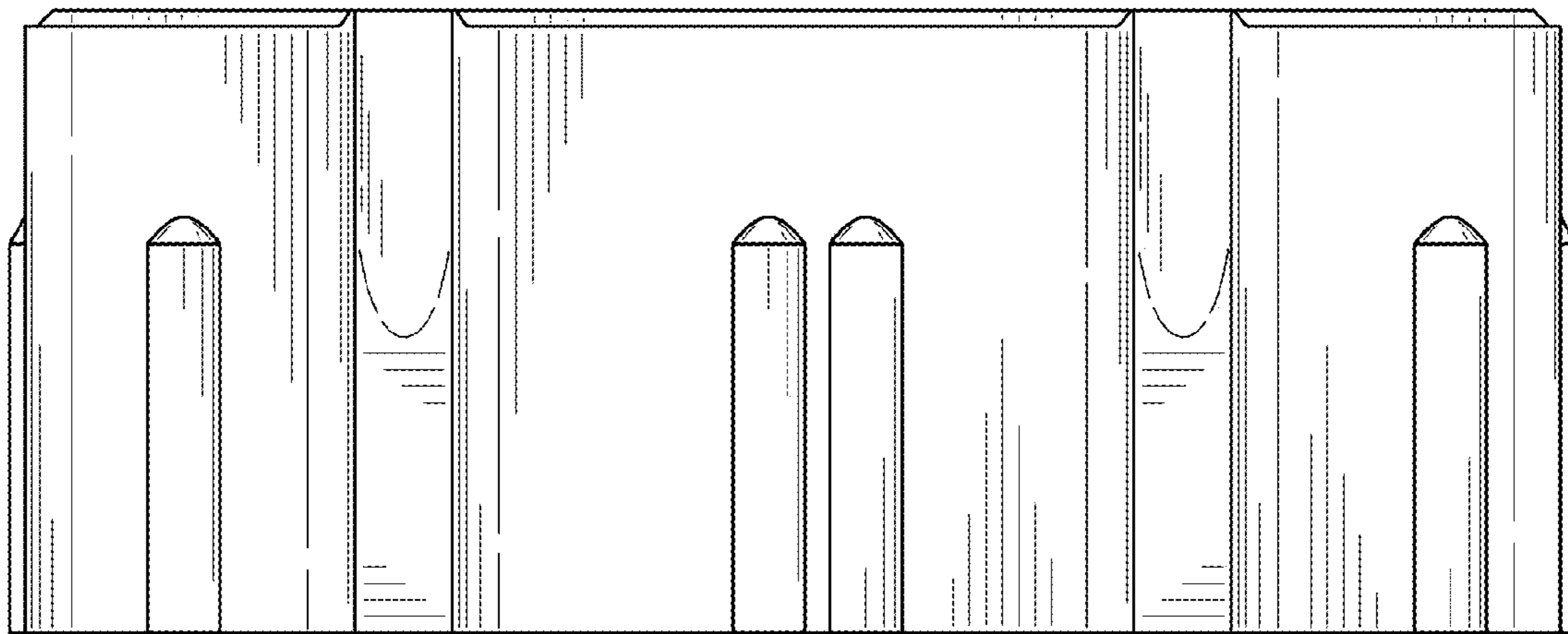


FIG. 5



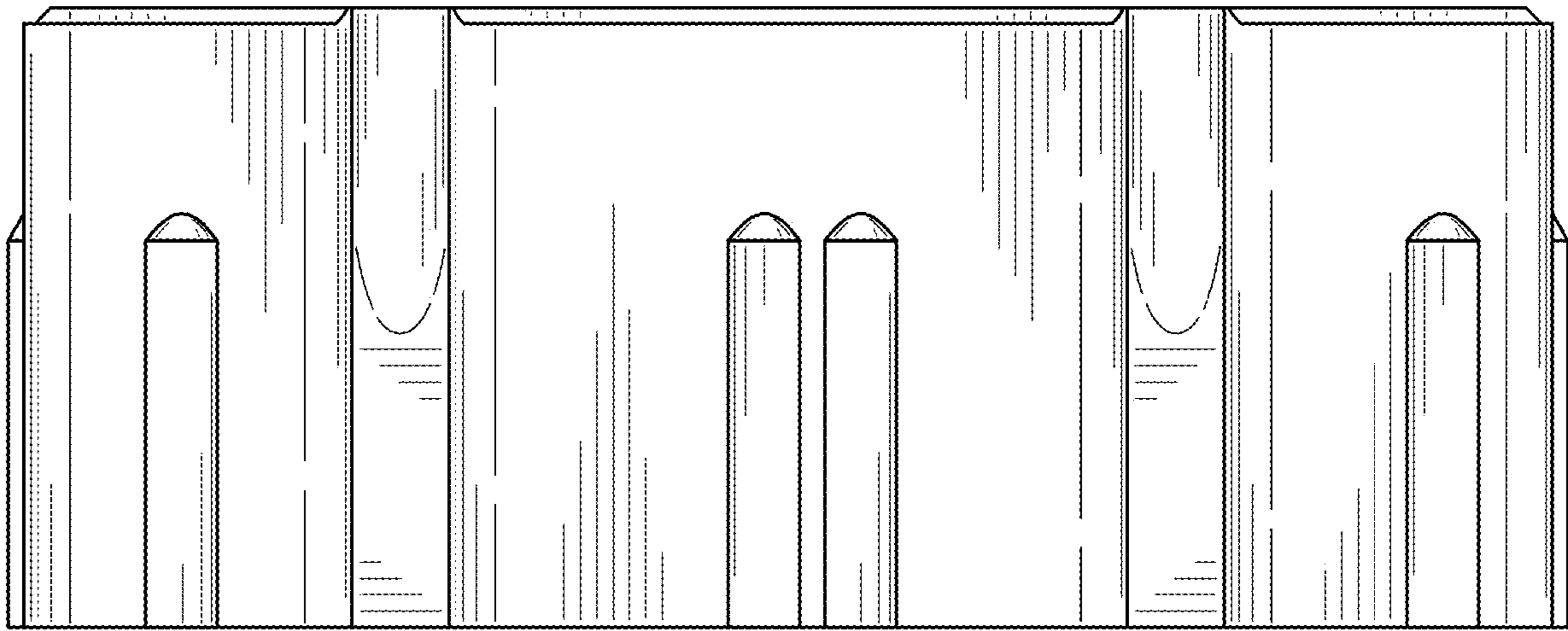


FIG. 6

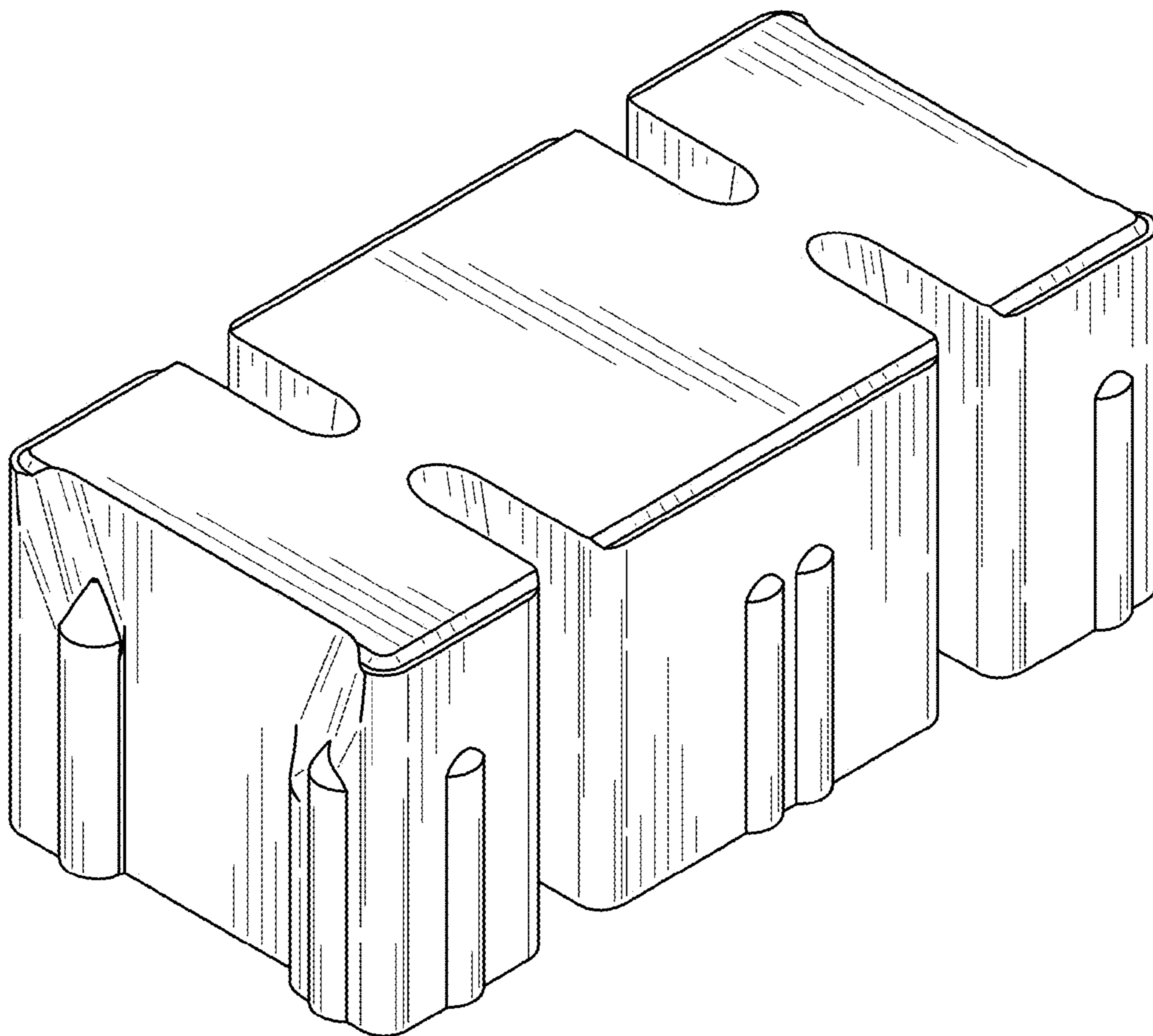


FIG. 7