



US00D971443S

(12) **United States Design Patent** (10) **Patent No.:** **US D971,443 S**
von Langsdorff (45) **Date of Patent:** **** *Nov. 29, 2022**

- (54) **PAVING STONE** 5,503,498 A * 4/1996 Scheiwiller E01C 5/00
52/603
- (71) Applicant: **F. von Langsdorff Licensing Limited,** D423,114 S * 4/2000 Fifield D25/115
Caledon (CA) D426,317 S * 6/2000 Fifield D25/114
D431,305 S * 9/2000 Barth D25/113
- (72) Inventor: **Harald von Langsdorff,** Caledon (CA) D498,543 S * 11/2004 Schmitz D25/113
D508,739 S * 8/2005 Shillingburg D25/113
- (73) Assignee: **F. von Langsdorff Licensing Limited,** D510,443 S * 10/2005 Von Langsdorff D25/112
Caledon (CA) D511,012 S * 10/2005 von Langsdorff D25/113
D512,519 S * 12/2005 Crump D25/112
- (*) Notice: This patent is subject to a terminal dis- D521,592 S * 5/2006 von Langsdorff D25/113
claimer. 7,811,027 B2 * 10/2010 Scheiwiller E01C 5/00
52/603
- (**) Term: **15 Years** 8,500,362 B2 * 8/2013 Steffen E01C 5/06
404/34
- (21) Appl. No.: **29/792,310** D704,859 S * 5/2014 Gleason D25/113
D737,467 S * 8/2015 Thomassen D25/113
- (22) Filed: **Mar. 21, 2022** 9,315,950 B2 * 4/2016 Browning E01C 5/065
9,951,527 B2 * 4/2018 Lundell E04F 15/02183

Related U.S. Application Data

- (60) Division of application No. 29/707,727, filed on Sep. 30, 2019, now Pat. No. Des. 950,106, which is a continuation-in-part of application No. 29/572,840, filed on Jul. 31, 2016, now Pat. No. Des. 864,420.
- (51) **LOC (13) Cl.** **25-01**
- (52) **U.S. Cl.**
USPC **D25/113**
- (58) **Field of Classification Search**
USPC D25/102, 113, 115, 118; D21/484
CPC ... E01C 5/00; E01C 5/06; E01C 5/006; E01C
2201/02; E01C 9/004; E01C 13/04; E04F
15/02
See application file for complete search history.

References Cited

U.S. PATENT DOCUMENTS

- 2,141,397 A * 12/1938 Locke E04B 2/42
52/564
- 2,498,276 A * 2/1950 Kany E04B 2/42
52/438

- 5,503,498 A * 4/1996 Scheiwiller E01C 5/00
52/603
- D423,114 S * 4/2000 Fifield D25/115
- D426,317 S * 6/2000 Fifield D25/114
- D431,305 S * 9/2000 Barth D25/113
- D498,543 S * 11/2004 Schmitz D25/113
- D508,739 S * 8/2005 Shillingburg D25/113
- 6,948,282 B2 * 9/2005 Bott E04C 1/395
52/98
- D510,443 S * 10/2005 Von Langsdorff D25/112
- D511,012 S * 10/2005 von Langsdorff D25/113
- D512,519 S * 12/2005 Crump D25/112
- D521,592 S * 5/2006 von Langsdorff D25/113
- 7,811,027 B2 * 10/2010 Scheiwiller E01C 5/00
52/603
- 8,500,362 B2 * 8/2013 Steffen E01C 5/06
404/34
- D704,859 S * 5/2014 Gleason D25/113
- D737,467 S * 8/2015 Thomassen D25/113
- 9,315,950 B2 * 4/2016 Browning E01C 5/065
- 9,951,527 B2 * 4/2018 Lundell E04F 15/02183

(Continued)

Primary Examiner — Kimberly Barnes
(74) *Attorney, Agent, or Firm* — CPST Intellectual Property Inc; Santosh K. Chari

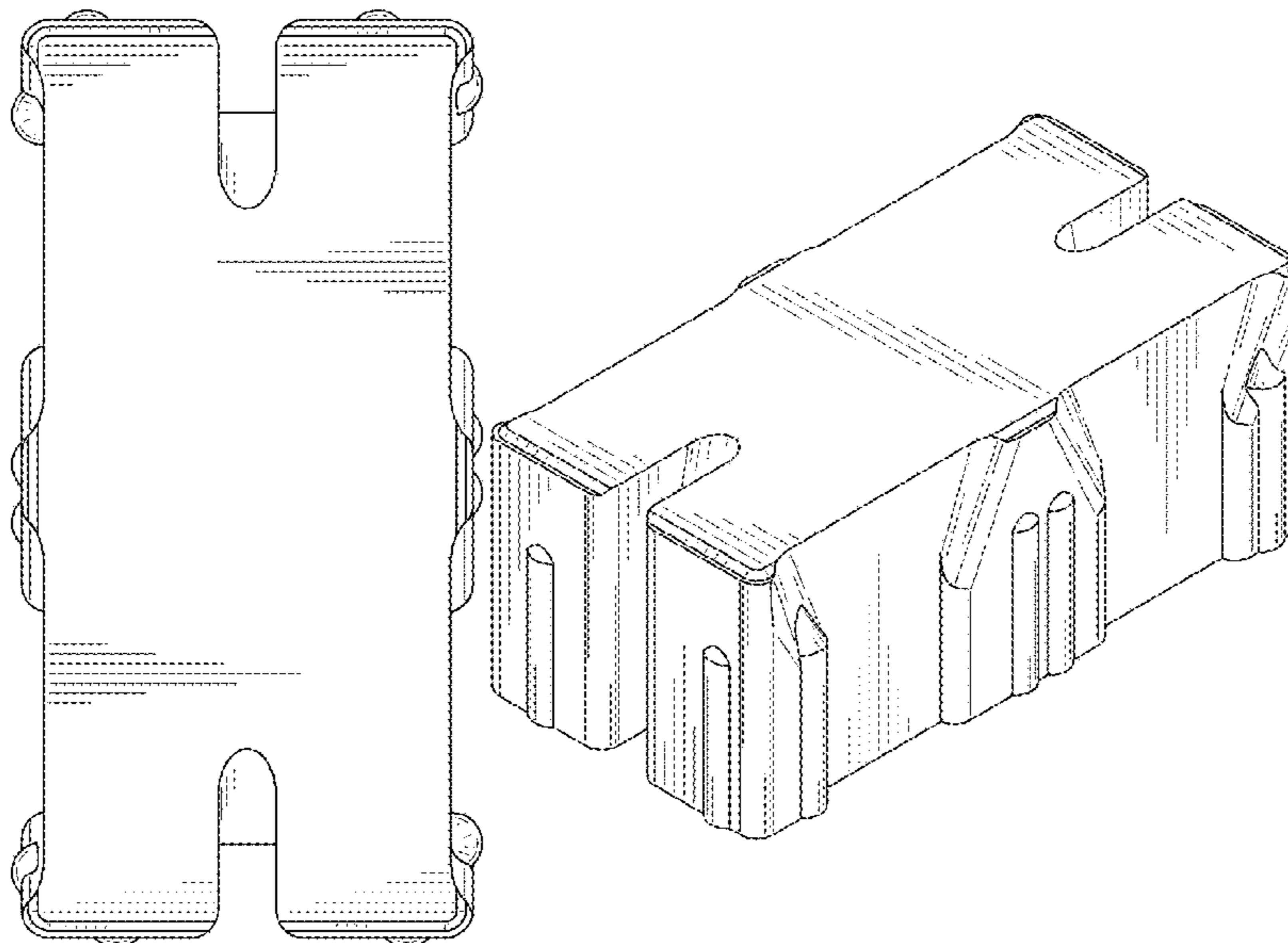
(57) **CLAIM**

The ornamental design for a paving stone, substantially as shown and described.

DESCRIPTION

FIG. 1 is a top view of a paving stone showing my new design.
FIG. 2 is a bottom view of the paving stone of FIG. 1.
FIG. 3 is a front view of the paving stone of FIG. 1.
FIG. 4 is a rear view of the paving stone of FIG. 1.
FIG. 5 is a right side view of the paving stone of FIG. 1.
FIG. 6 is a left side view of the paving stone of FIG. 1; and,
FIG. 7 is a front, right perspective view of the paving stone of FIG. 1.

1 Claim, 3 Drawing Sheets



(56)

References Cited

U.S. PATENT DOCUMENTS

D844,181 S * 3/2019 Lundell D25/113
D864,420 S * 10/2019 von Langsdorff D25/113
D896,997 S * 9/2020 von Langsdorff D25/113
D900,340 S * 10/2020 von Langsdorff D25/113
D950,106 S * 4/2022 von Langsdorff D25/113
11,384,487 B2 * 7/2022 Schroeder E01C 5/00
2006/0101762 A1 * 5/2006 Shillingburg E04C 1/395
52/503
2021/0269987 A1 * 9/2021 Schroeder E01C 5/00

* cited by examiner

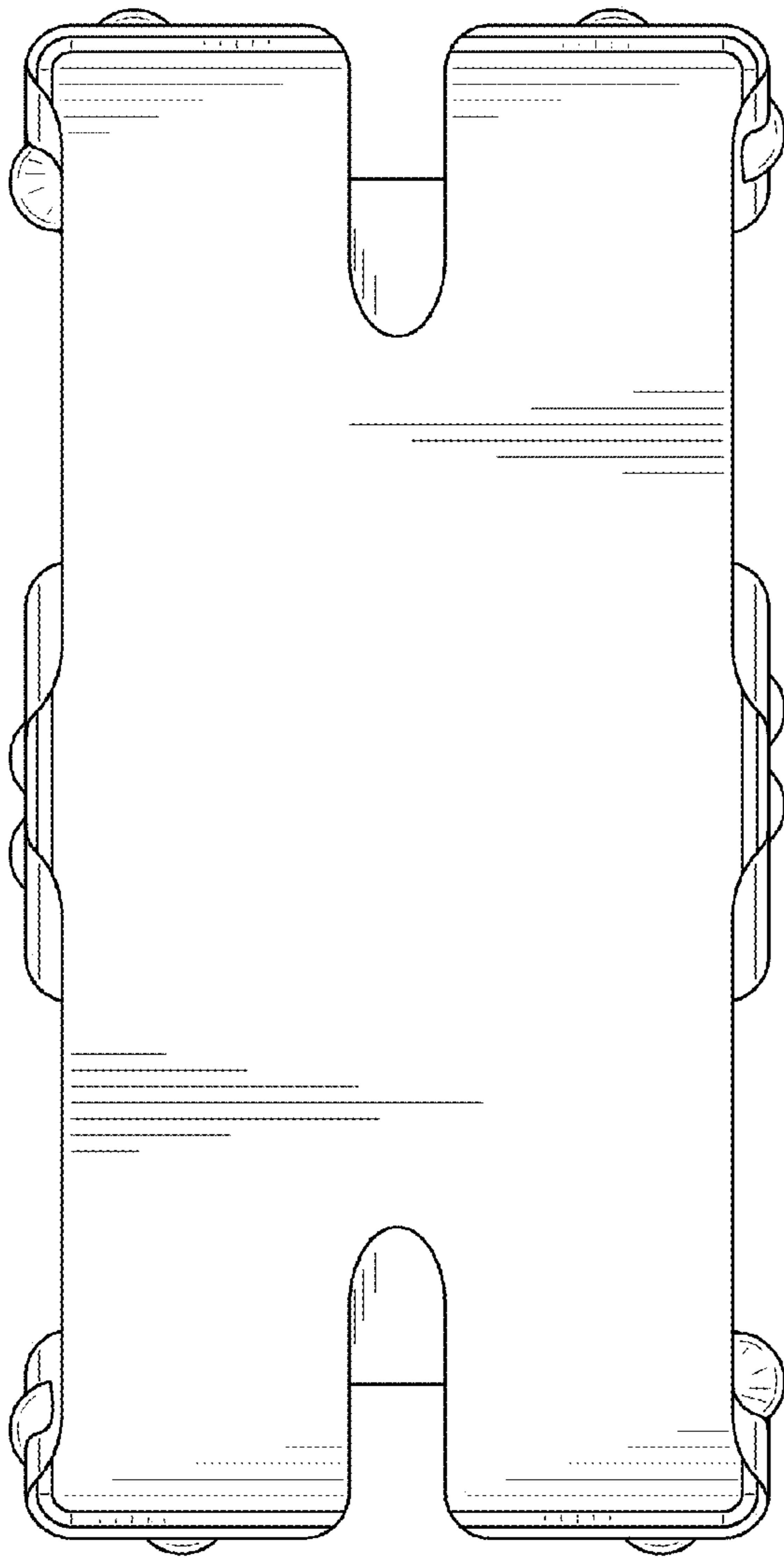


FIG. 1

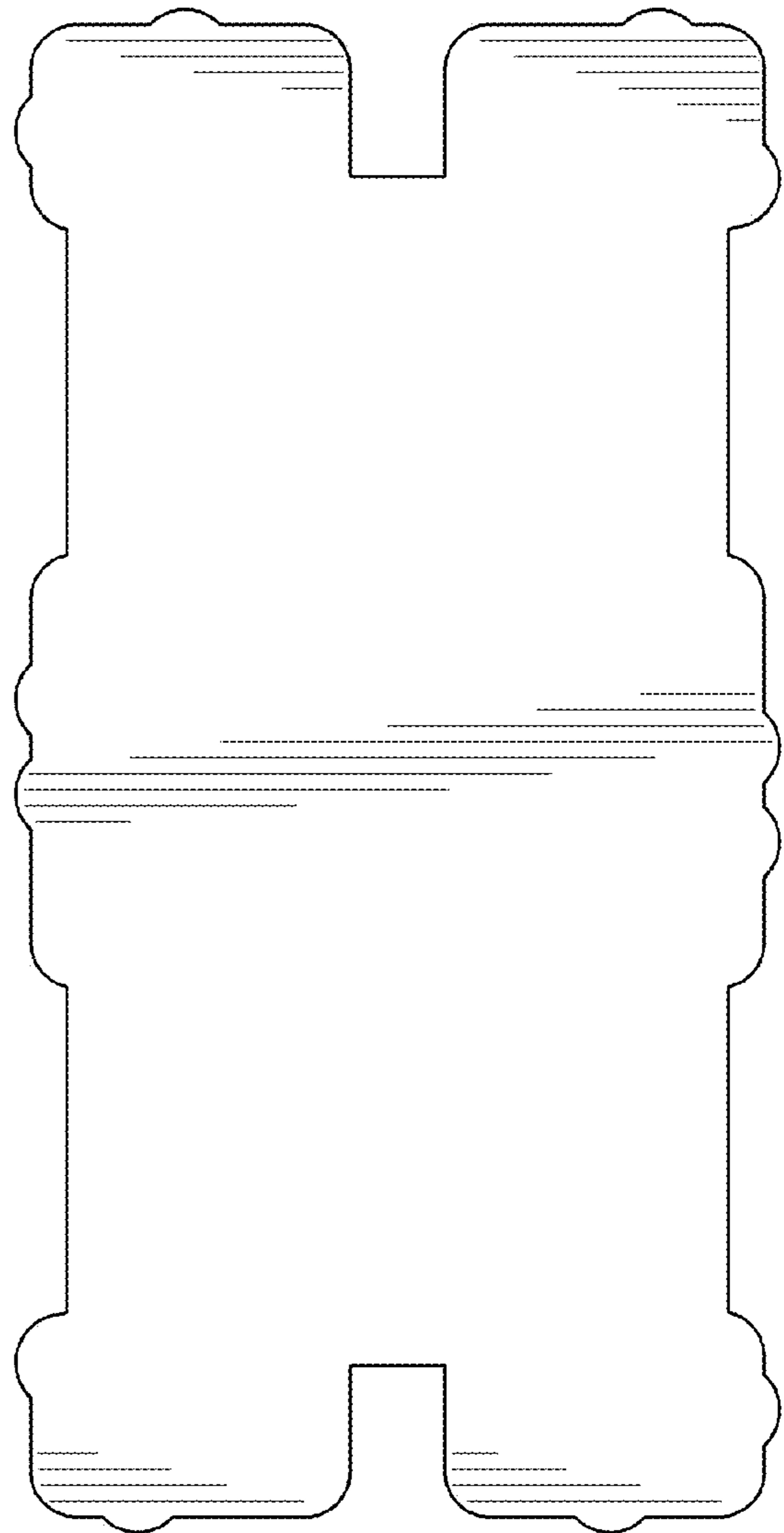


FIG. 2

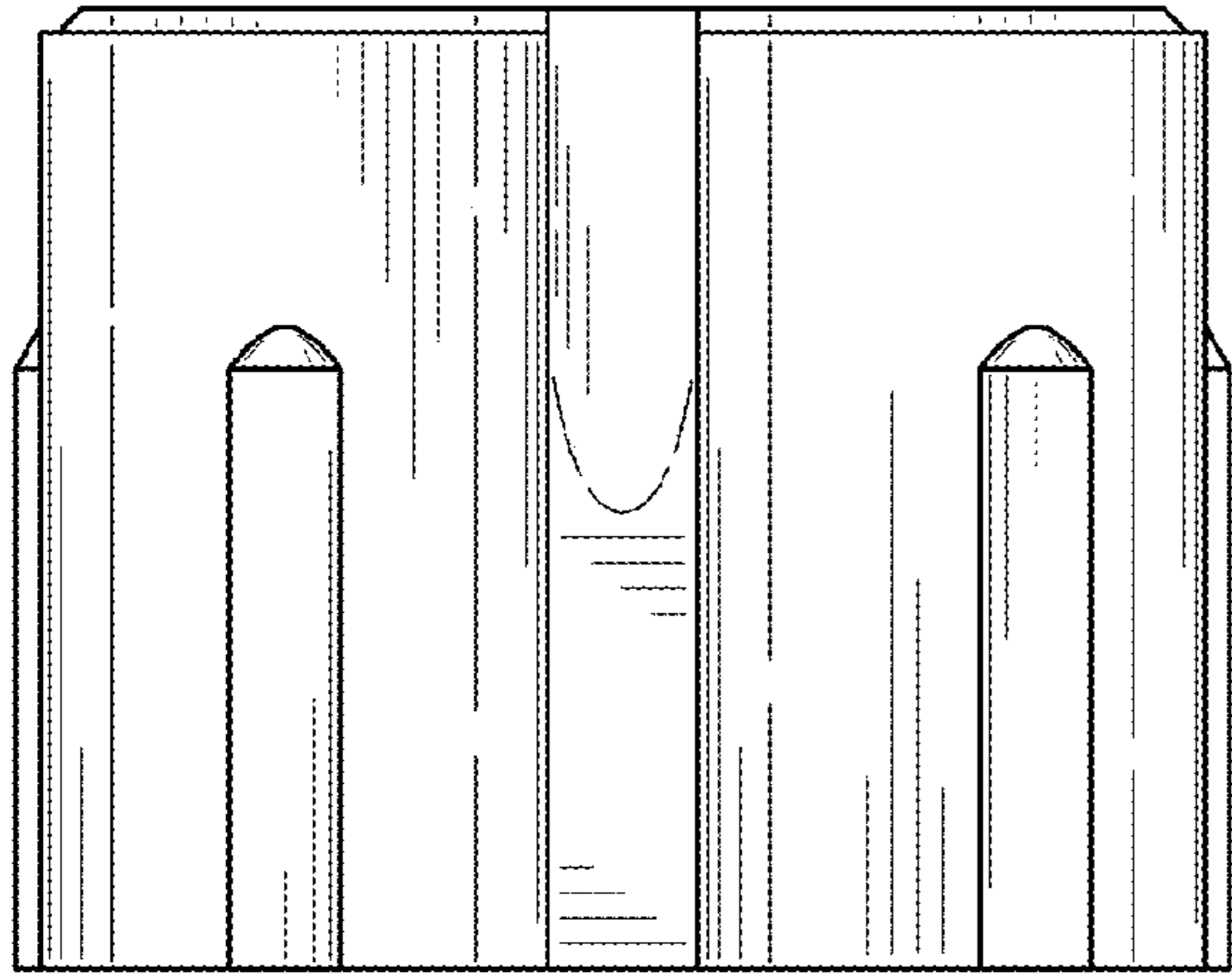


FIG. 3

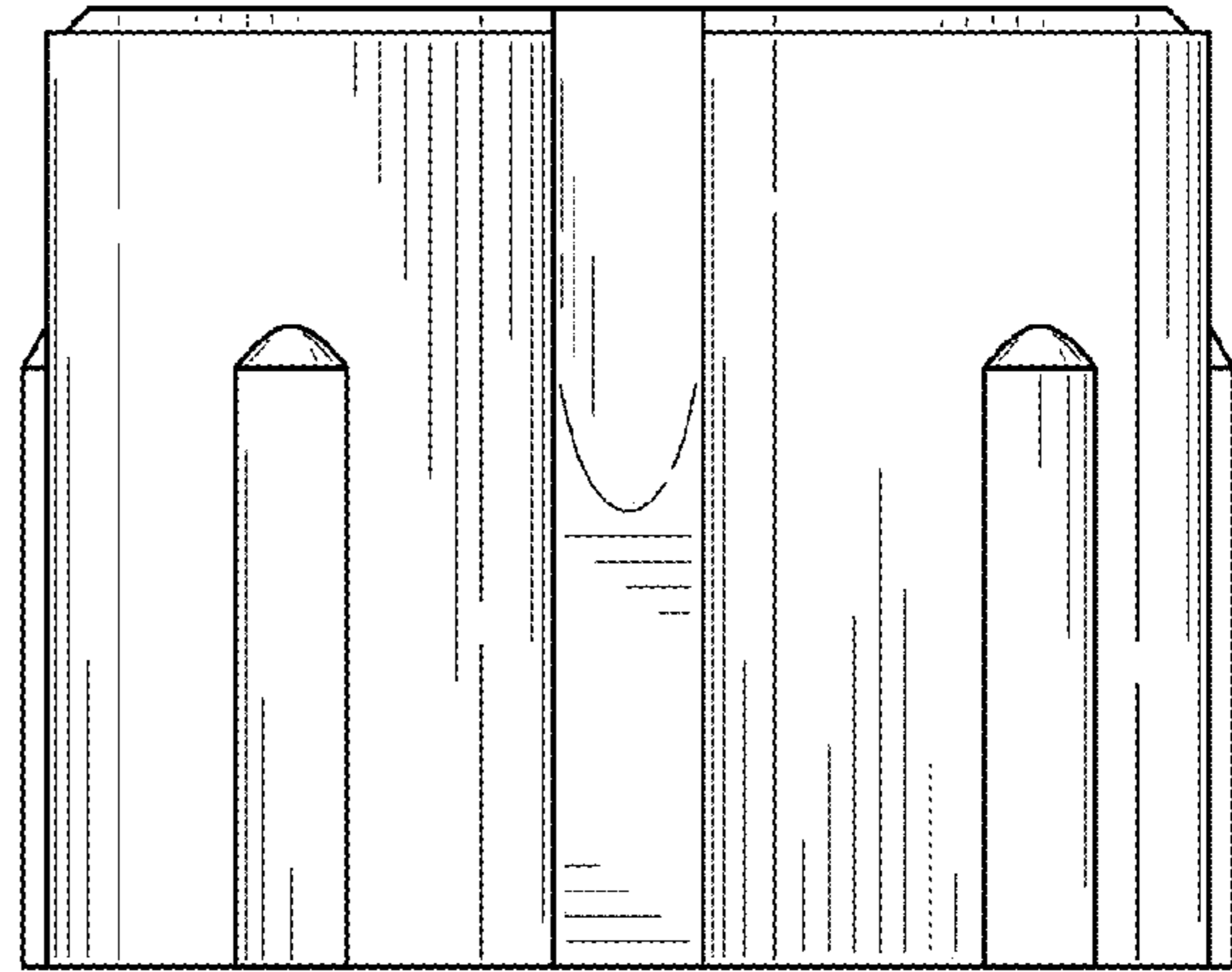


FIG. 4

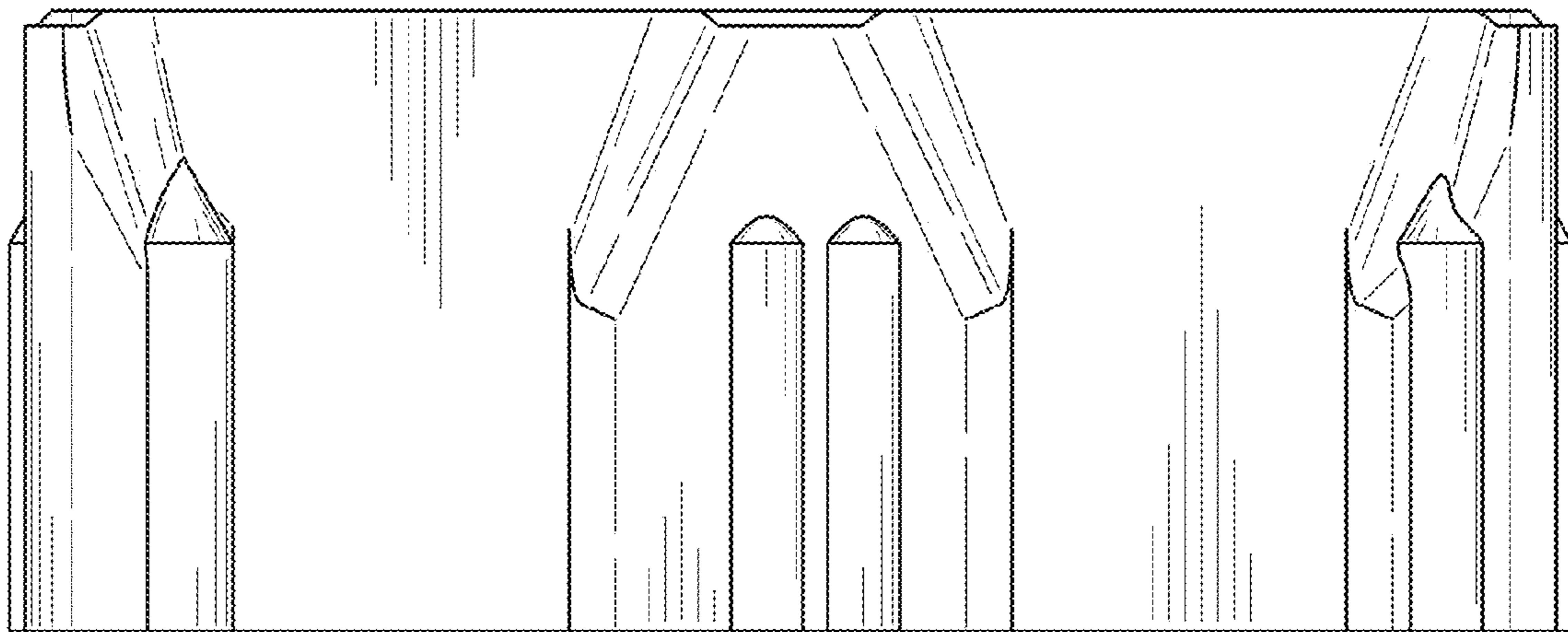


FIG. 5

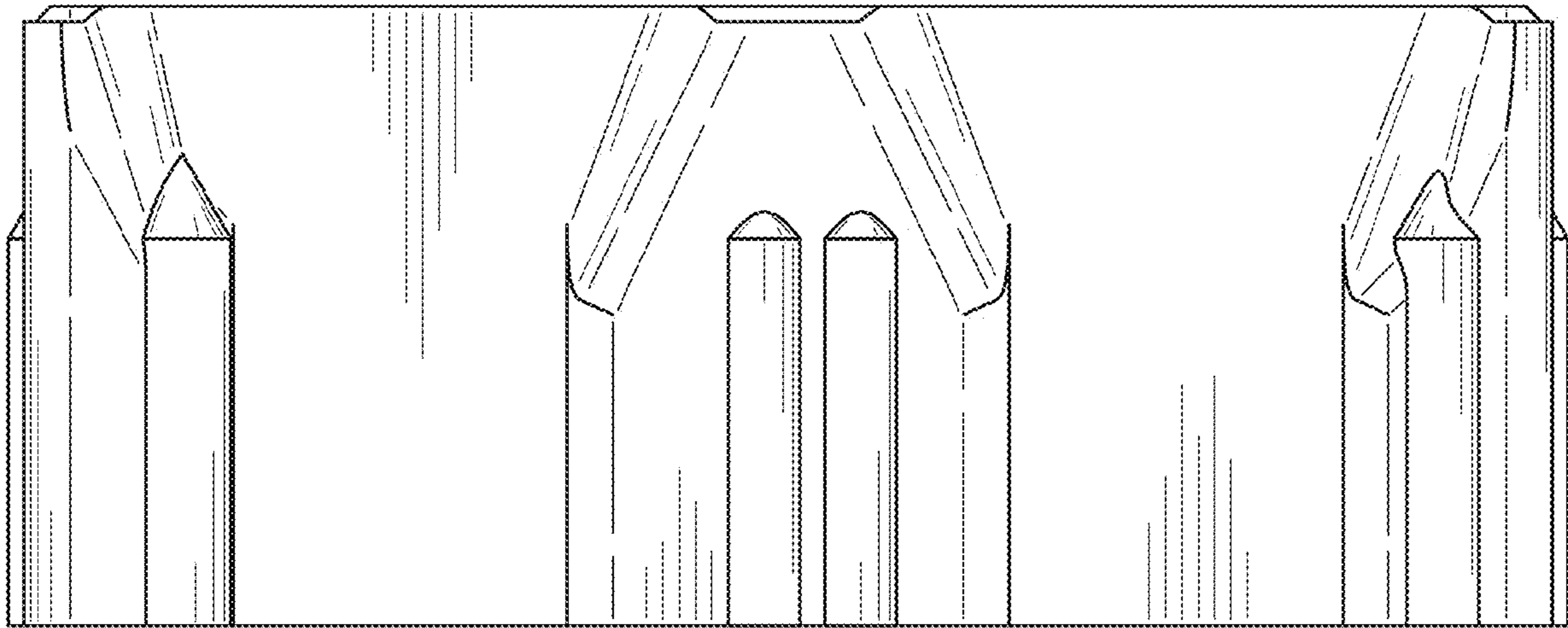


FIG. 6

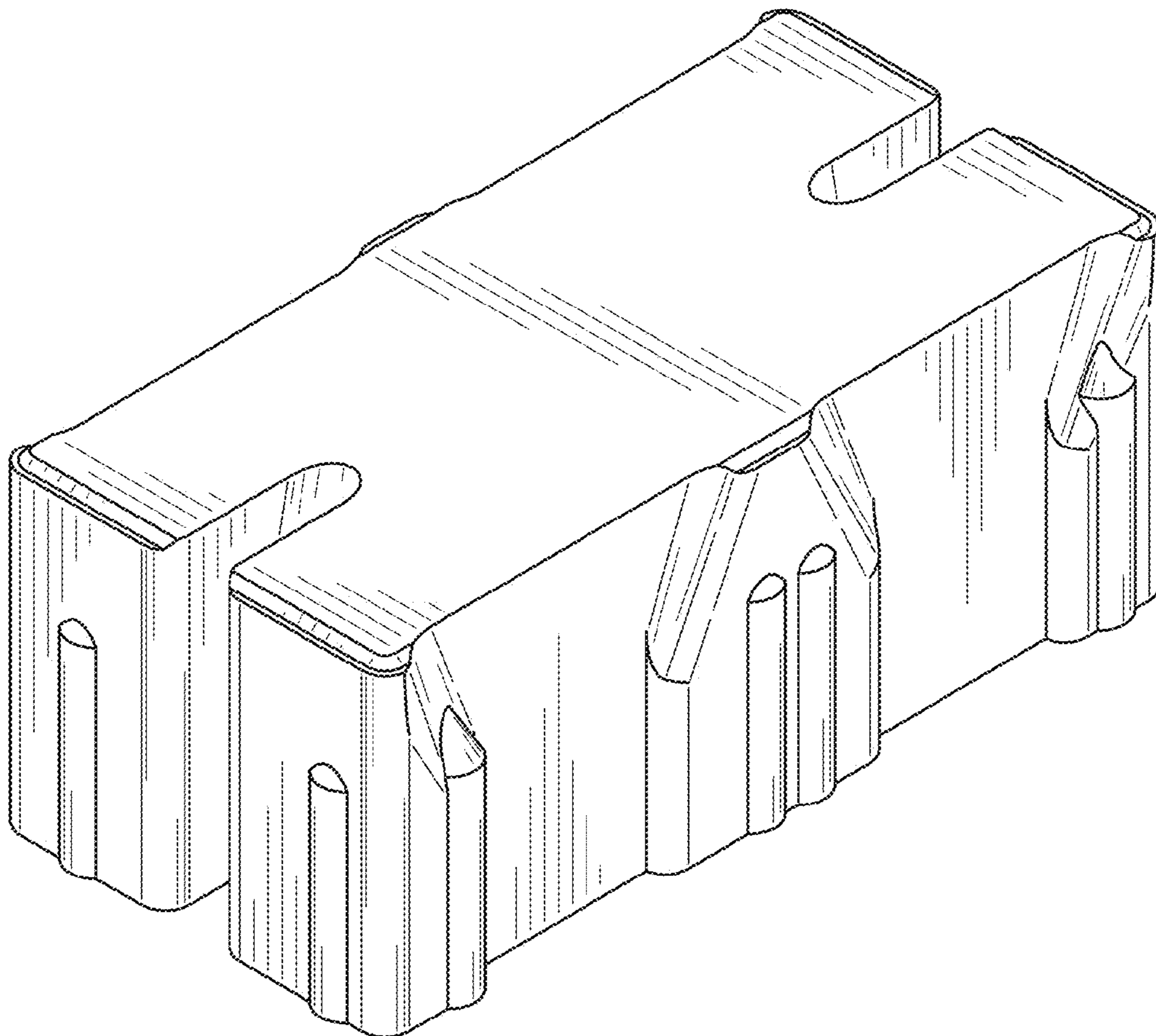


FIG. 7