



US00D971439S

(12) **United States Design Patent** (10) **Patent No.:** **US D971,439 S**
Fukasawa (45) **Date of Patent:** **** Nov. 29, 2022**

(54) **SMOKING BOOTH**

FOREIGN PATENT DOCUMENTS

(71) Applicants: **SUS Co., Ltd.**, Shizuoka (JP);
Aluminum Architecture Institute Co., Ltd., Tokyo (JP)

KR 3020140012495 * 3/2014
KR 3020140004259 * 8/2014

(Continued)

(72) Inventor: **Naoto Fukasawa**, Tokyo (JP)

OTHER PUBLICATIONS

(73) Assignees: **SUS CO., LTD.**, Shizuoka (JP);
ALUMINUM ARCHITECTURE INSTITUTE CO., LTD., Tokyo (JP)

Employee Shelter, available in parkut.com. announced Year 2000 [online], [site visited Feb. 22, 2022], Internet URL: <https://www.parkut.com/products/shelters/smoking-shelters/> (Year: 2000).*

(**) Term: **15 Years**

Primary Examiner — Brett Miller

(21) Appl. No.: **29/730,351**

Assistant Examiner — Jasmine L. Comedy

(22) Filed: **Apr. 3, 2020**

(74) *Attorney, Agent, or Firm* — Manabu Kanesaka

(30) **Foreign Application Priority Data**

(57) **CLAIM**

Feb. 26, 2020 (JP) 2020-003597 D

The ornamental design for a smoking booth, as shown and described.

(51) **LOC (13) Cl.** **25-03**

DESCRIPTION

(52) **U.S. Cl.**

USPC **D25/33**

(58) **Field of Classification Search**

USPC D25/1-35, 55, 56

CPC .. E04H 1/1211; E04H 1/12; E04H 2001/1294

See application file for complete search history.

(56) **References Cited**

U.S. PATENT DOCUMENTS

D204,056 S * 3/1966 Bartley D25/16
D226,903 S * 5/1973 Genaro D25/16
D238,572 S * 1/1976 Wheeler D25/1
4,012,871 A * 3/1977 Netto E04B 1/34861
D25/4
D245,430 S * 8/1977 Commins D25/1
D250,837 S * 1/1979 Lahaie D25/1
4,884,376 A * 12/1989 DeBlock E06B 1/363
D25/1

FIG. 1 is a front view of a smoking booth showing my new design;

FIG. 2 is a rear view thereof;

FIG. 3 is a right side view thereof;

FIG. 4 is a left side view being;

FIG. 5 is a plan view thereof;

FIG. 6 is a bottom view thereof;

FIG. 7 is a cross-sectional view thereof along the line 7-7 in FIG. 1;

FIG. 8 is a cross-sectional view thereof along the line 8-8 in FIG. 1;

FIG. 9 is a cross-sectional view thereof along the line 9-9 in FIG. 3;

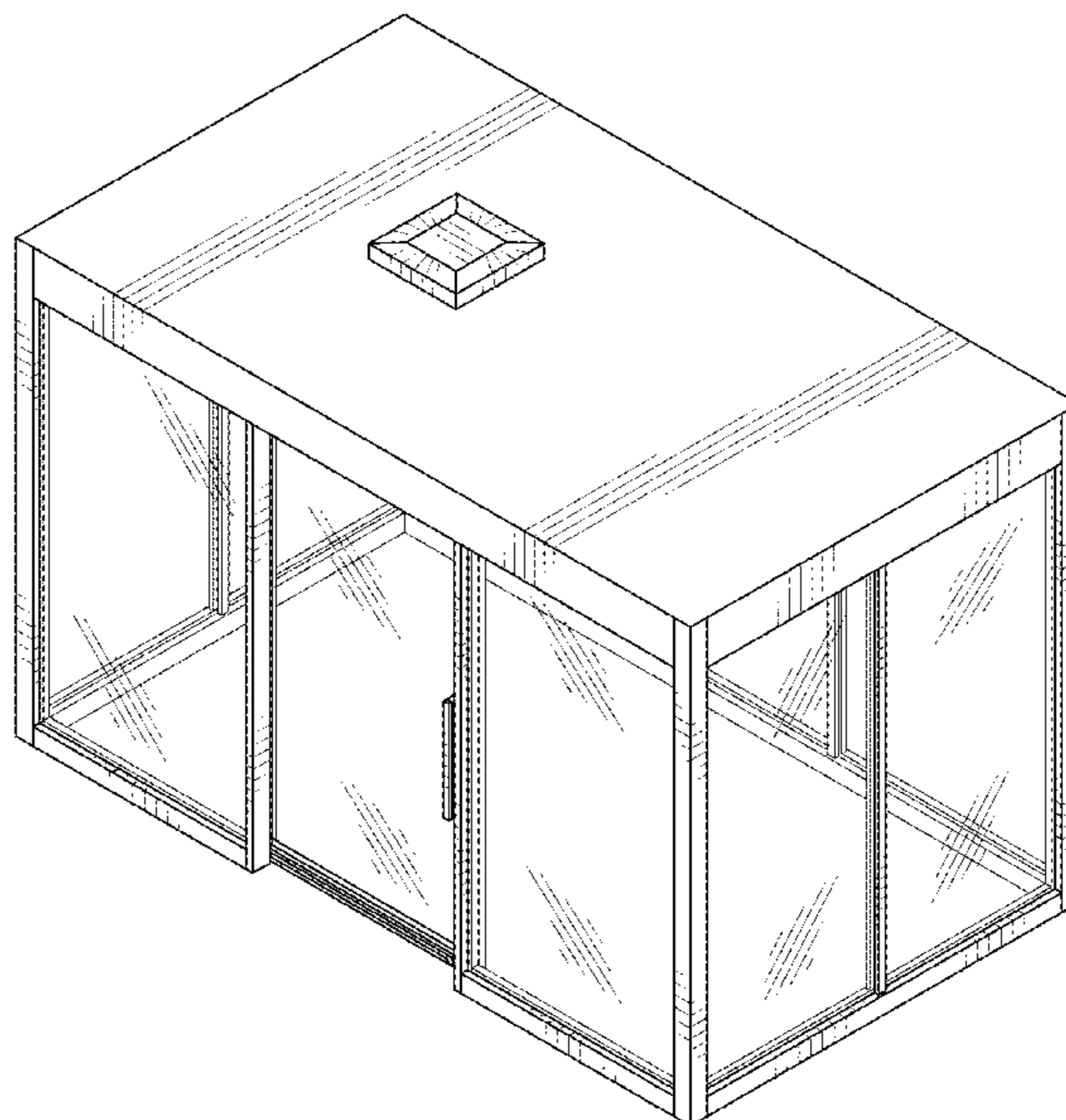
FIG. 10 is a first perspective view thereof; and,

FIG. 11 is a second perspective view thereof.

The broken lines depict portions of the smoking booth that form no part of the claim.

(Continued)

1 Claim, 11 Drawing Sheets



(56)

References Cited

U.S. PATENT DOCUMENTS

5,107,637 A * 4/1992 Robbins F21S 9/032
40/442
D872,302 S * 1/2020 Tibi D25/16
D872,303 S * 1/2020 Tibi D25/16
D880,002 S * 3/2020 Lucas D25/33

FOREIGN PATENT DOCUMENTS

KR 3020170060247 * 6/2018
KR 301035305.0000 * 12/2019

* cited by examiner

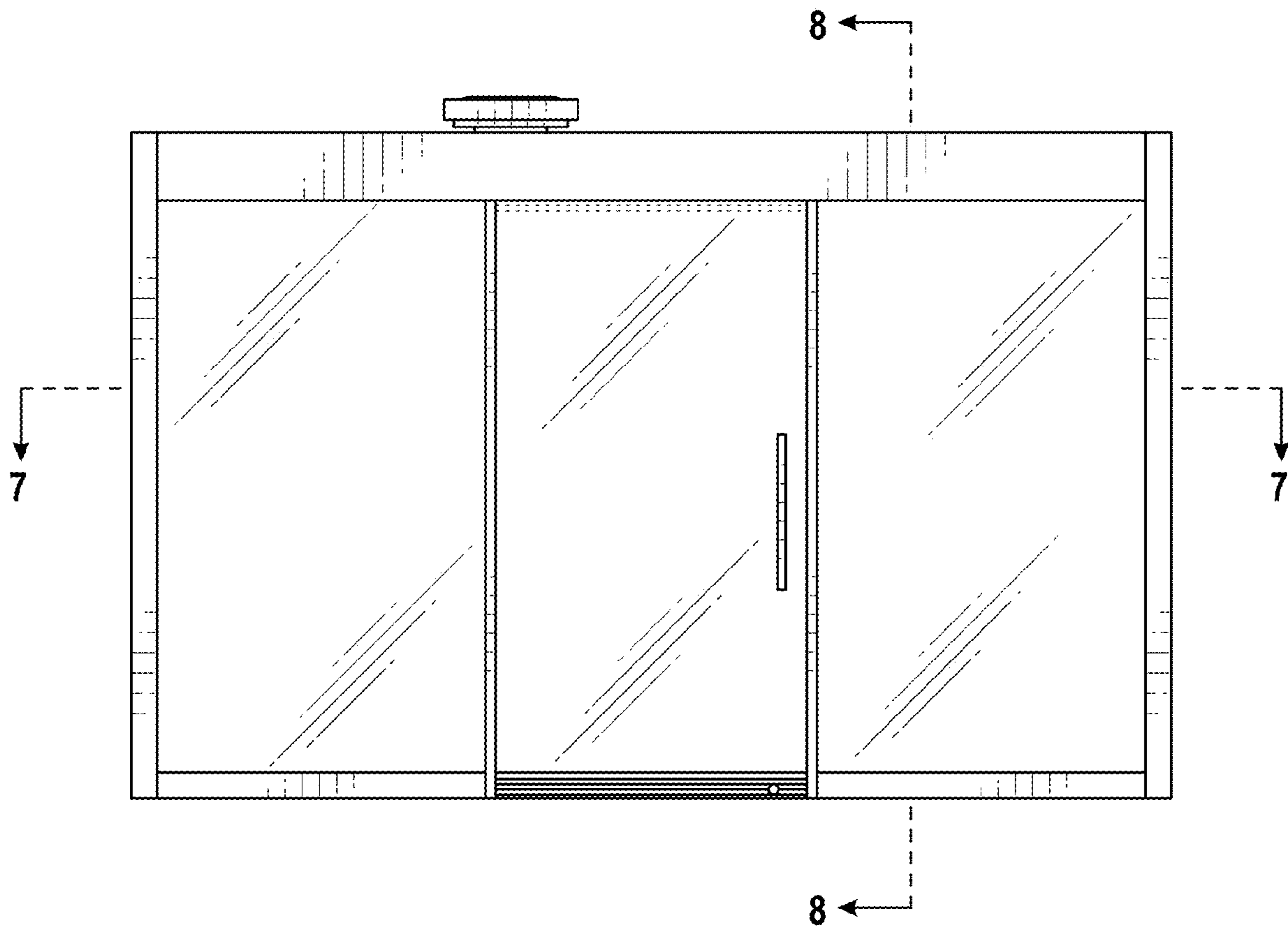


FIG. 1

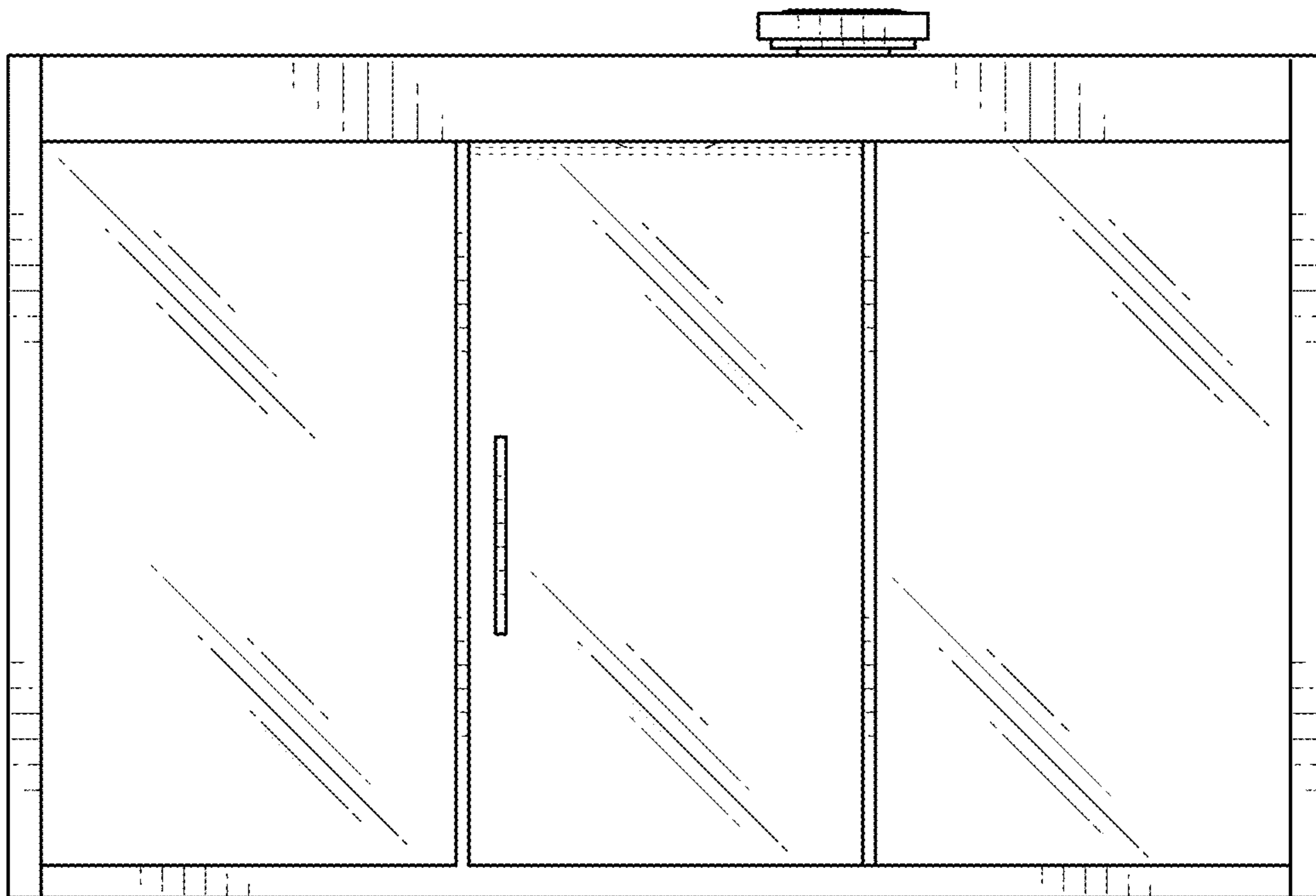


FIG. 2

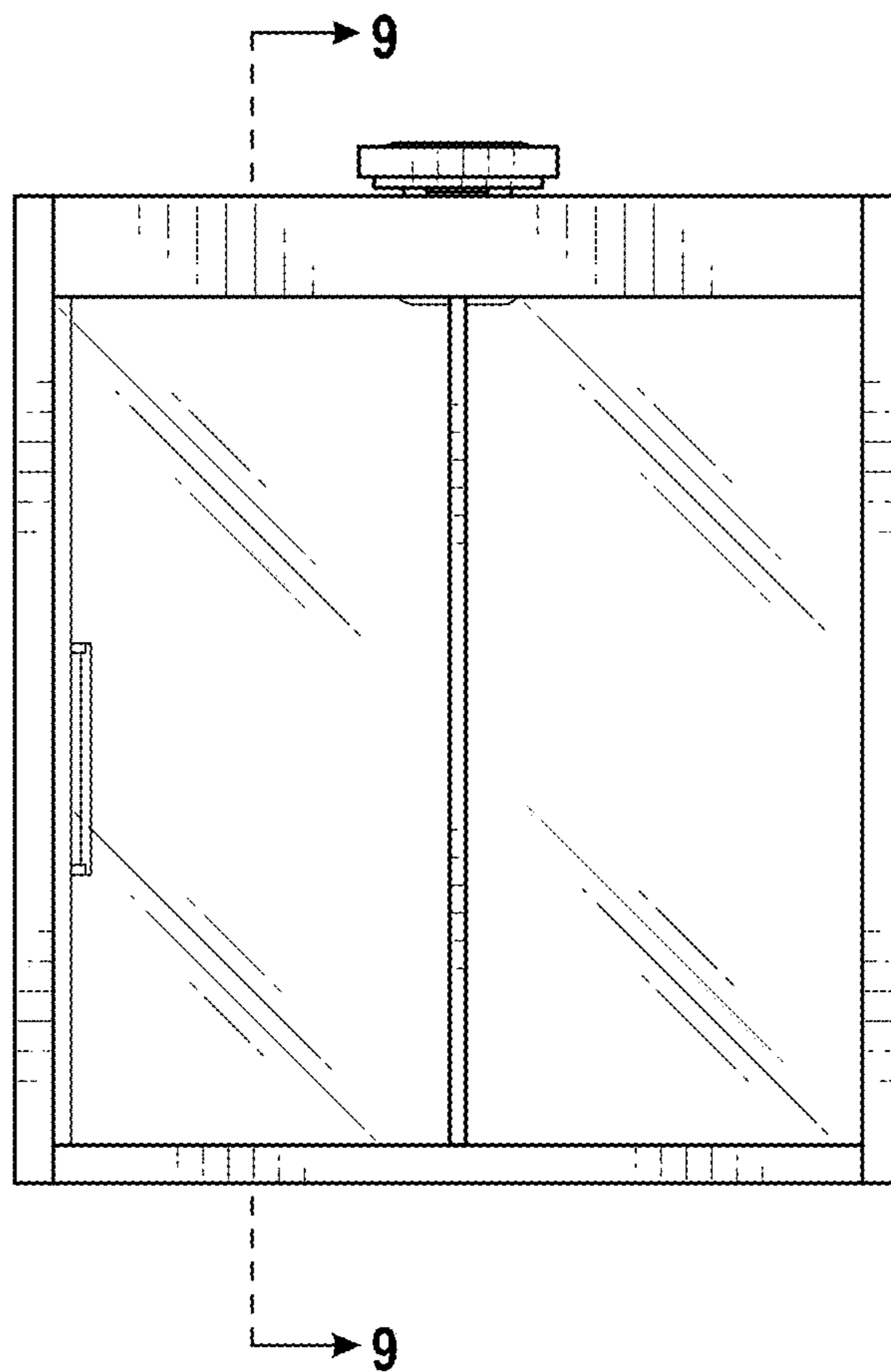


FIG. 3

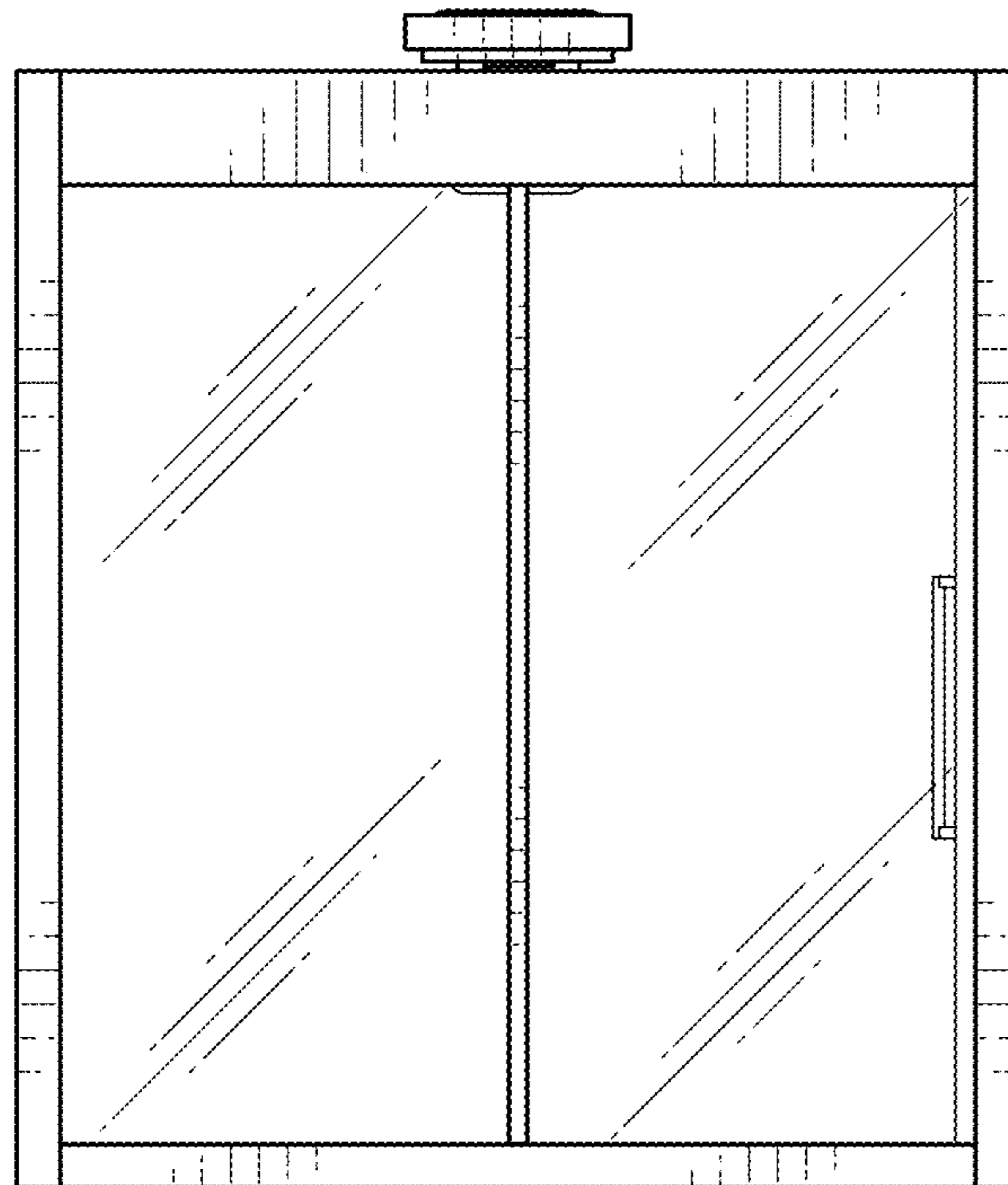


FIG. 4

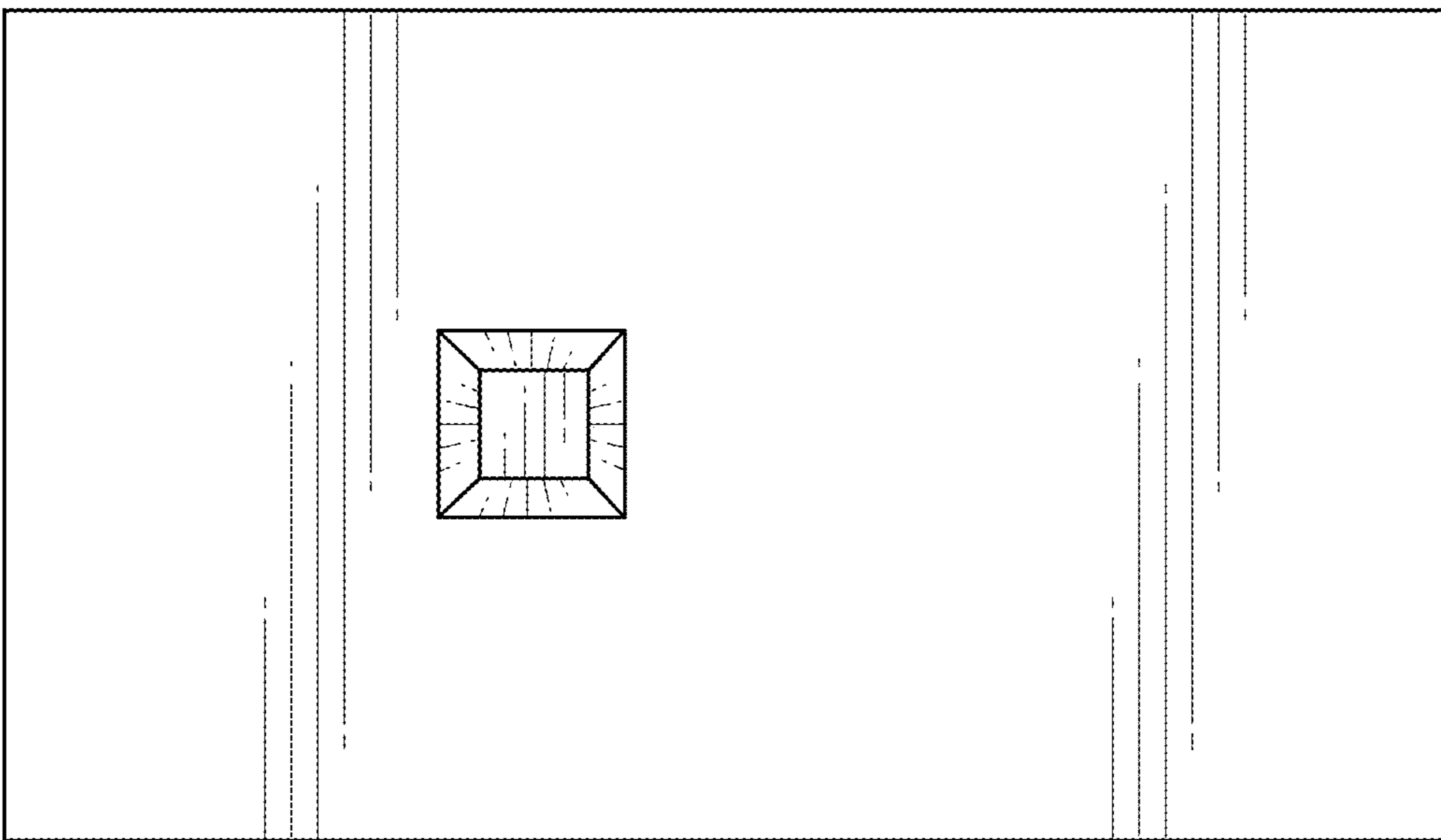


FIG. 5

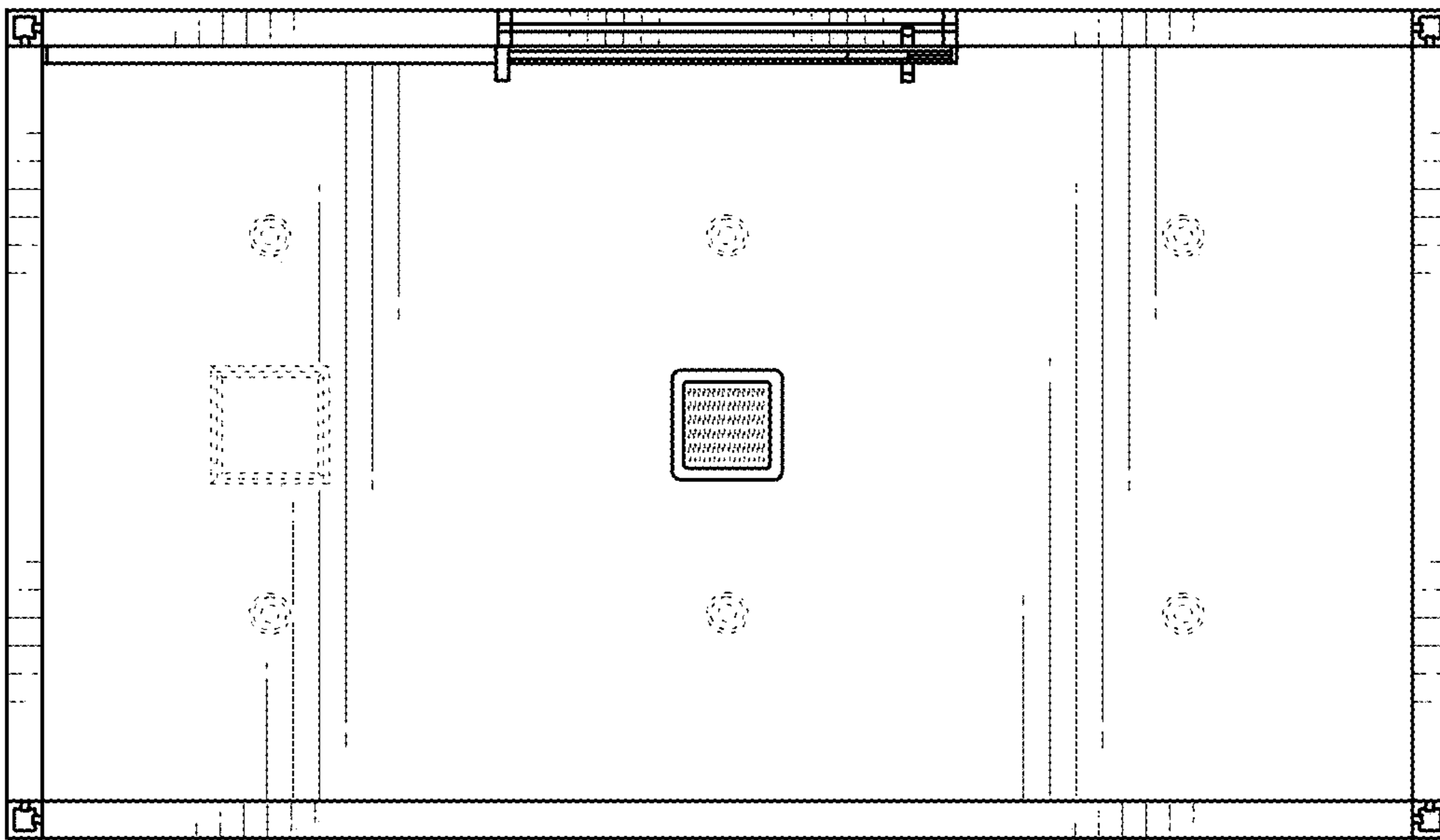


FIG. 6

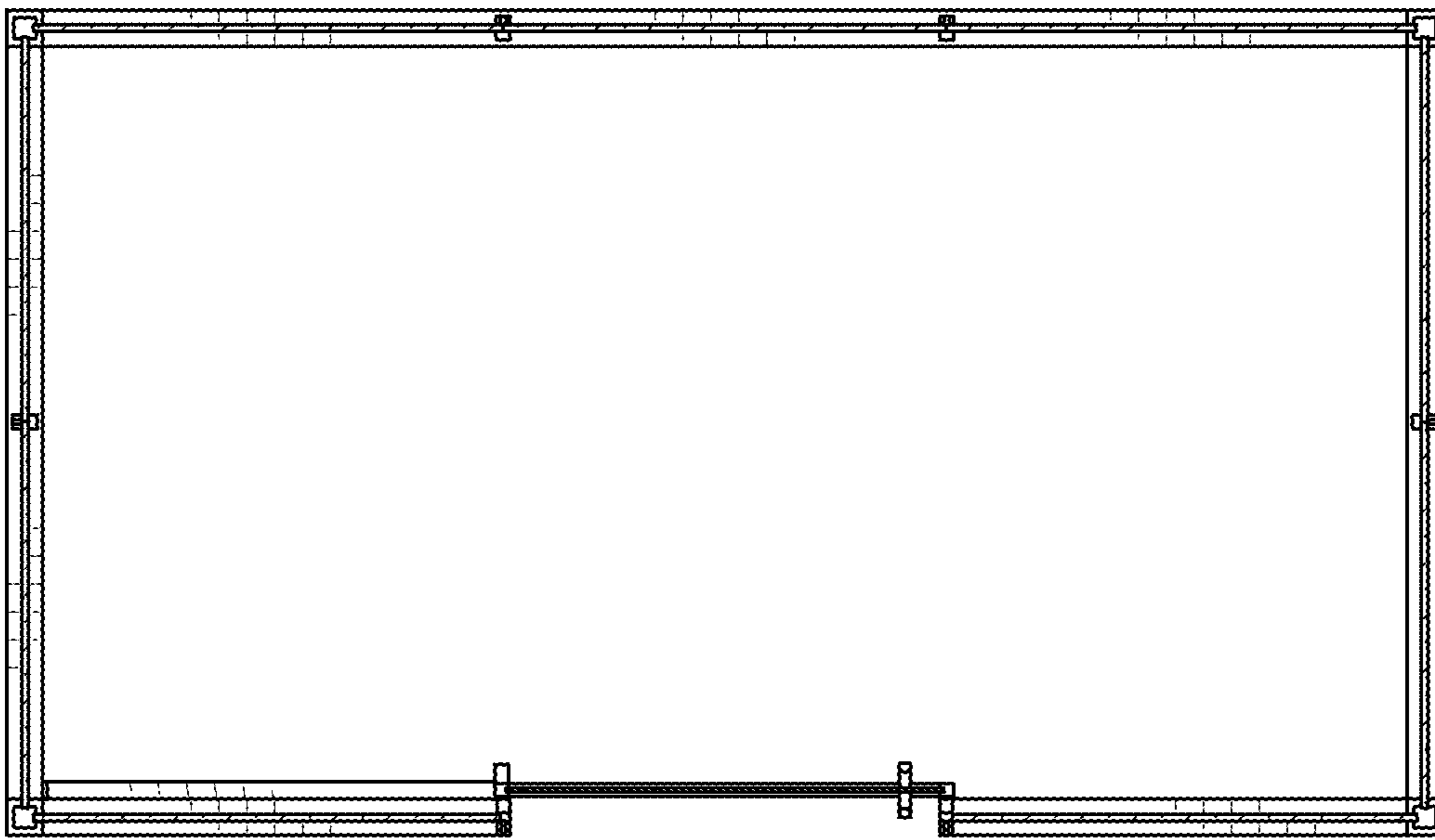


FIG. 7

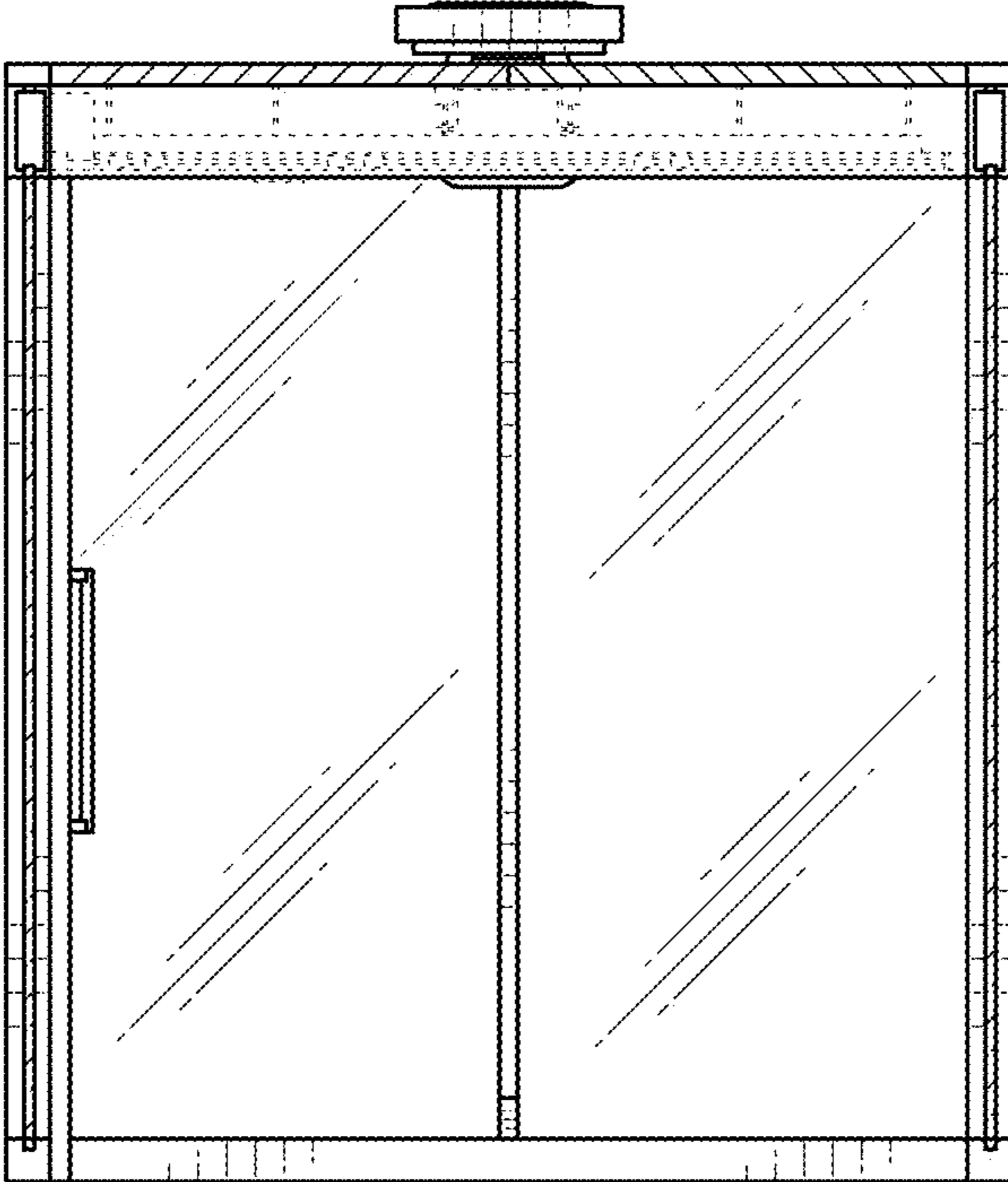


FIG. 8

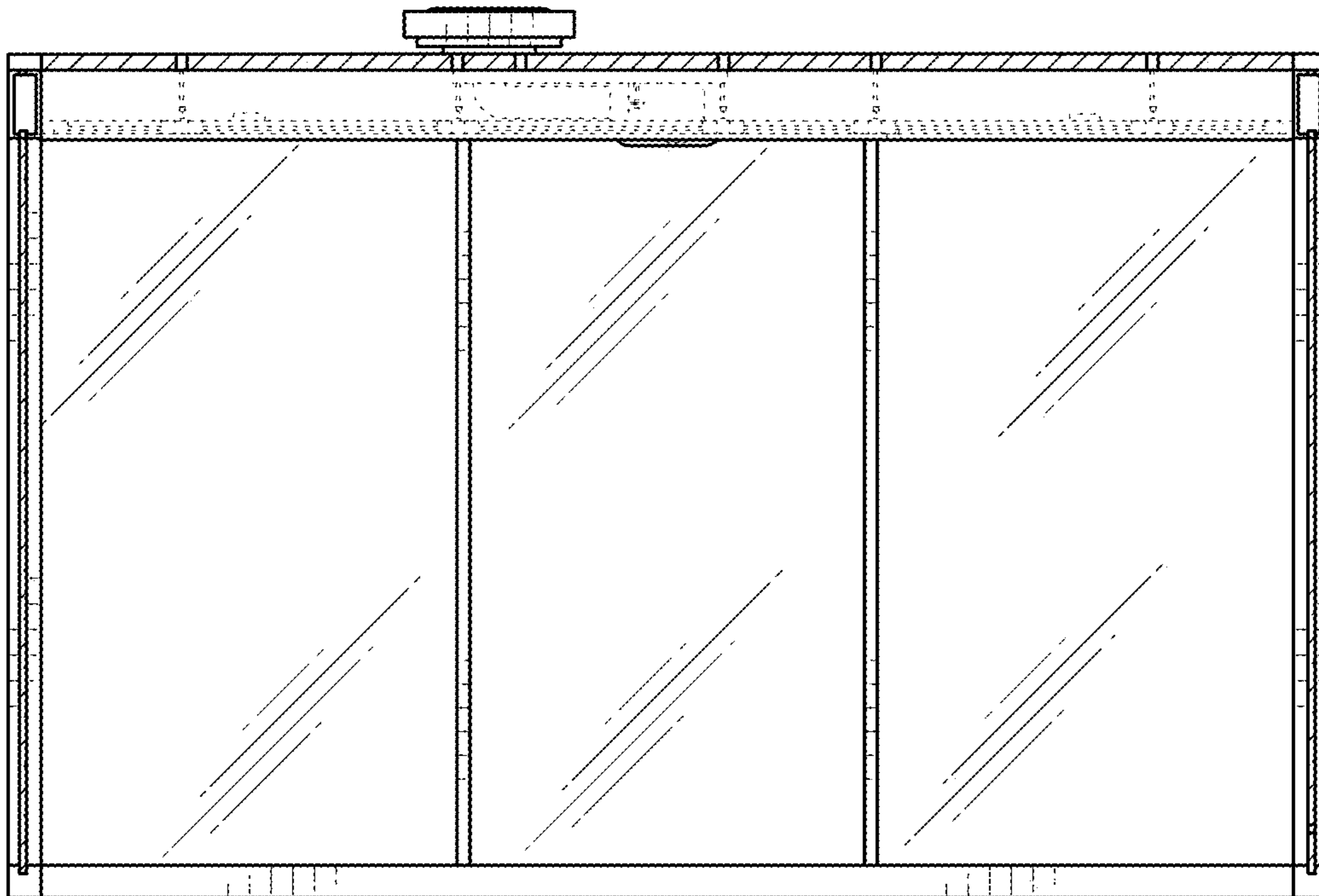


FIG. 9

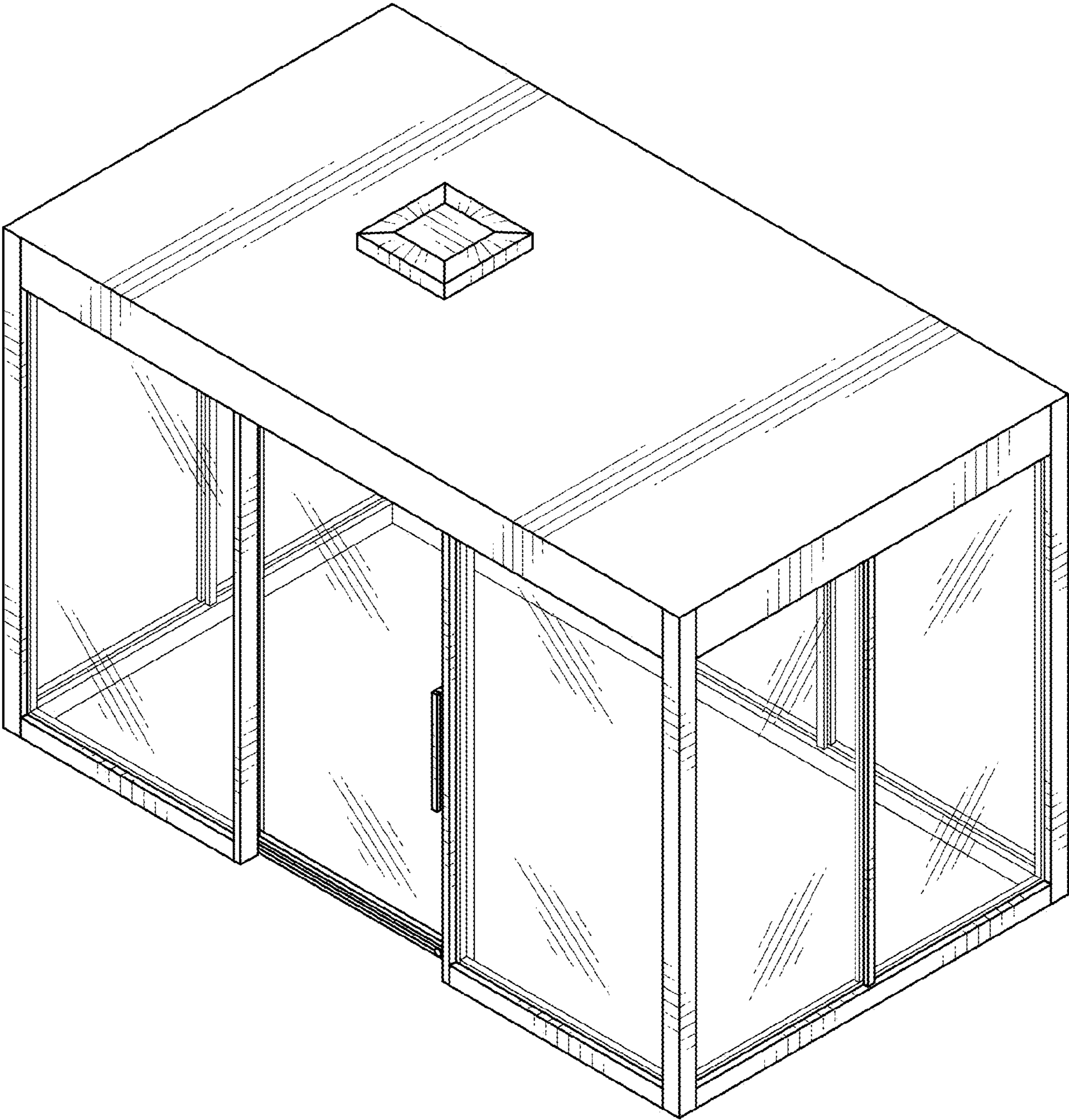


FIG. 10

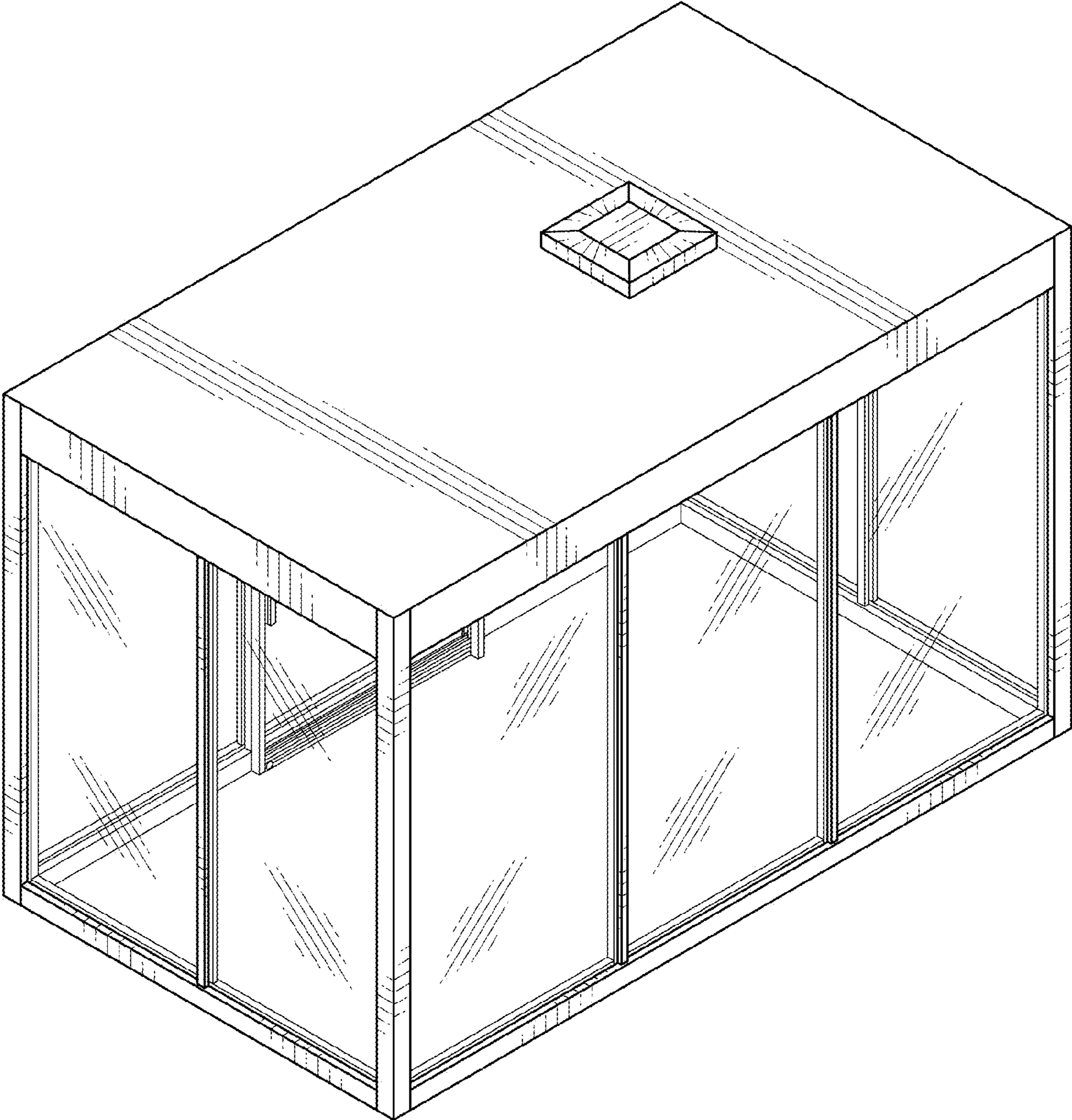


FIG. 11