



US00D971437S

(12) **United States Design Patent** (10) **Patent No.:** **US D971,437 S**  
**Shah et al.** (45) **Date of Patent:** **\*\* Nov. 29, 2022**

(54) **HISTOLOGY WATER BATH**  
(71) Applicant: **Rushabh Instruments, LLC**, Ivyland, PA (US)  
(72) Inventors: **Preyas Shah**, Furlong, PA (US); **Sahil Shah**, Furlong, PA (US); **Joseph Lessard**, Horsham, PA (US)  
(73) Assignee: **Rushabh Instruments, LLC**, Ivyland, PA (US)  
(\*\*) Term: **15 Years**  
(21) Appl. No.: **29/782,900**  
(22) Filed: **May 10, 2021**  
(51) **LOC (13) Cl.** ..... **24-01**  
(52) **U.S. Cl.**  
USPC ..... **D24/232**  
(58) **Field of Classification Search**  
USPC ..... D24/107, 186, 216, 232, 233, 234, 227, D24/231; D10/81  
CPC .... G01N 1/30; G01N 1/312; G01N 2001/317; Y10T 436/112499; Y10T 436/25  
See application file for complete search history.

(56) **References Cited**  
**U.S. PATENT DOCUMENTS**  
D239,396 S \* 3/1976 Pappas ..... D24/224  
4,377,476 A \* 3/1983 Ferrara ..... G01N 1/4077  
210/416.1  
D309,013 S \* 7/1990 Vander Hout ..... D24/232  
D343,457 S \* 1/1994 Stalec ..... D24/227  
5,700,346 A \* 12/1997 Edwards ..... G01N 1/312  
156/364

(Continued)

**OTHER PUBLICATIONS**

Facebook Posting for TIssueTek Water Bath and Slide Dryer, 2021, downloaded from <https://www.facebook.com/photo?fbid=10227734669219106&set=gm.10158247074350488>, 2 pages.

*Primary Examiner* — Anhdao Doan  
(74) *Attorney, Agent, or Firm* — RatnerPrestia

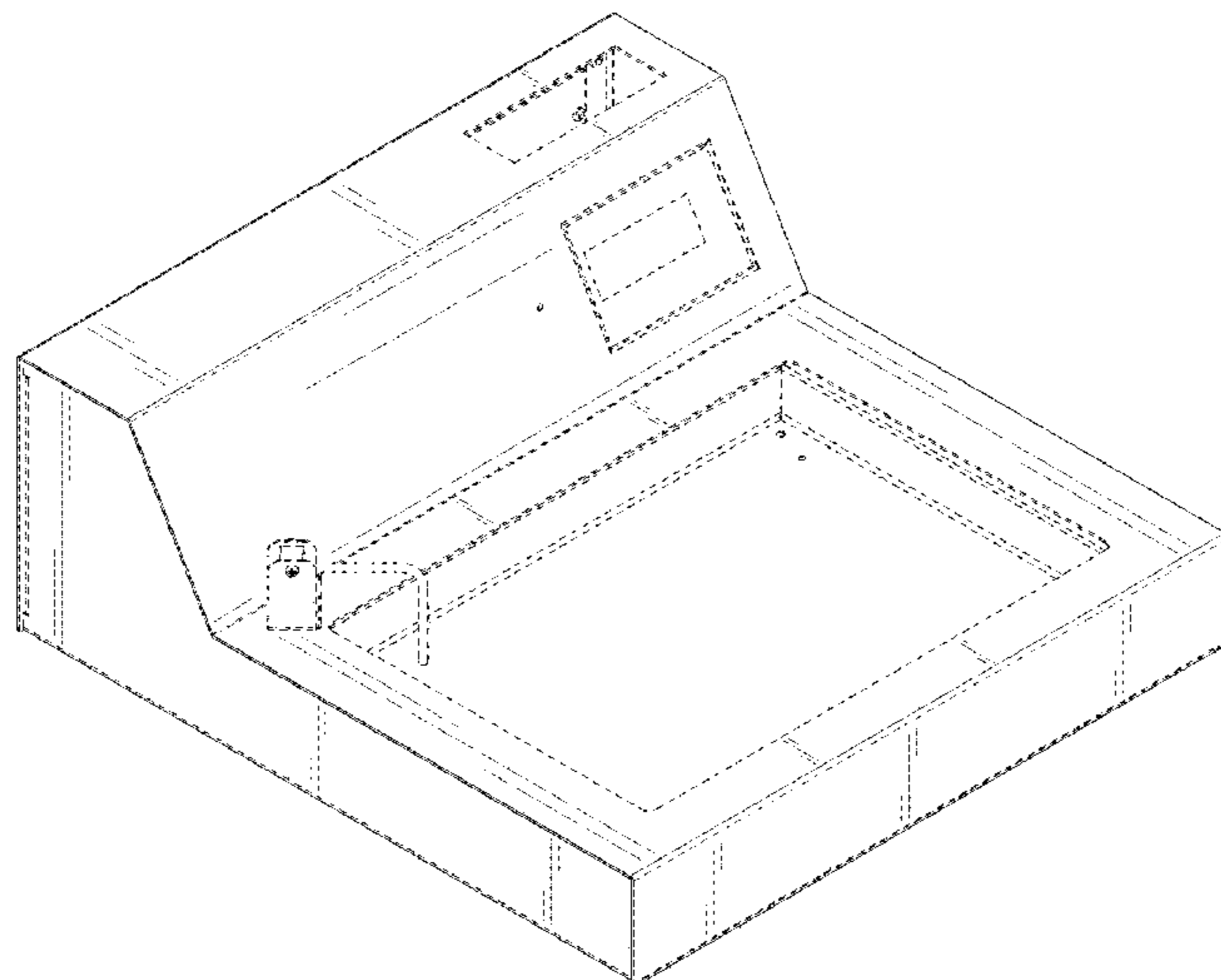
(57) **CLAIM**

The ornamental design for a histology water bath, as shown and described.

**DESCRIPTION**

FIG. 1 is a front perspective view of a first embodiment of a histology water bath showing our new design; FIG. 2 is another front perspective view thereof; FIG. 3 is a front elevation view thereof; FIG. 4 is a rear elevation view thereof; FIG. 5 is a left side elevation view thereof; FIG. 6 is a right side elevation view thereof; FIG. 7 is a top plan view thereof; and FIG. 8 is a bottom plan view thereof. FIG. 9 is a front perspective view of a second embodiment of a histology water bath showing our new design; FIG. 10 is another front perspective view thereof; FIG. 11 is a front elevation view thereof; FIG. 12 is a rear elevation view thereof; FIG. 13 is a left side elevation view thereof; FIG. 14 is a right side elevation view thereof; FIG. 15 is a top plan view thereof; and FIG. 16 is a bottom plan view thereof. FIG. 17 is a front perspective view of a third embodiment of a histology water bath showing our new design; FIG. 18 is a rear perspective view thereof; FIG. 19 is a front elevation view thereof; FIG. 20 is a rear elevation view thereof; FIG. 21 is a left side elevation view thereof; FIG. 22 is a right side elevation view thereof; FIG. 23 is a top plan view thereof; and FIG. 24 is a bottom plan view thereof. The broken lines illustrate portions of the histology water bath that form no part of the claimed design.

**1 Claim, 24 Drawing Sheets**



(56)

**References Cited**

U.S. PATENT DOCUMENTS

6,358,473	B1 *	3/2002	Coello .....	G01N 1/312 359/395
D555,526	S *	11/2007	Hildebrandt .....	D24/234
2008/0089808	A1 *	4/2008	Shah .....	G01N 1/312 422/65
2010/0144018	A1 *	6/2010	Shah .....	G01N 1/312 435/283.1

\* cited by examiner

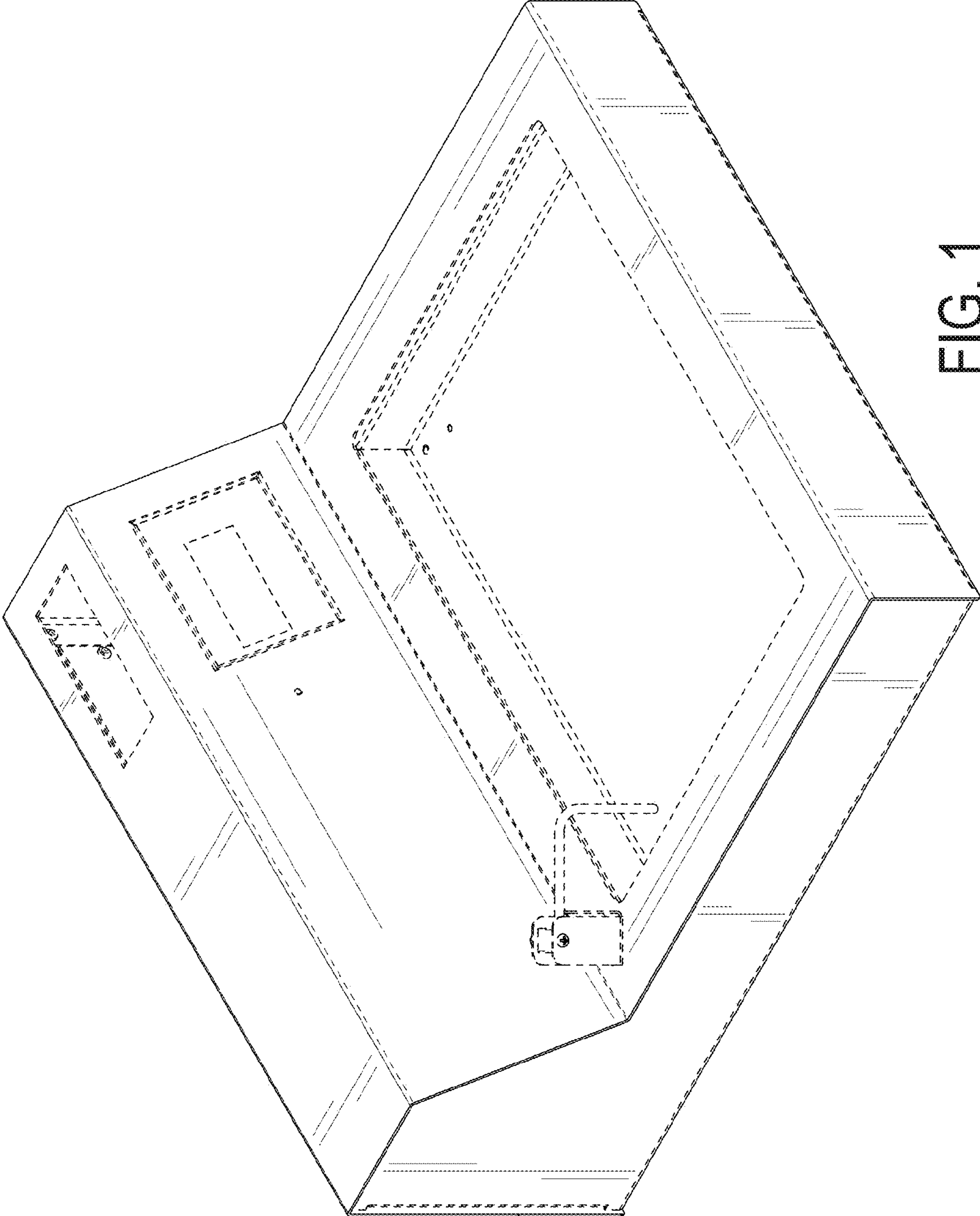


FIG. 1

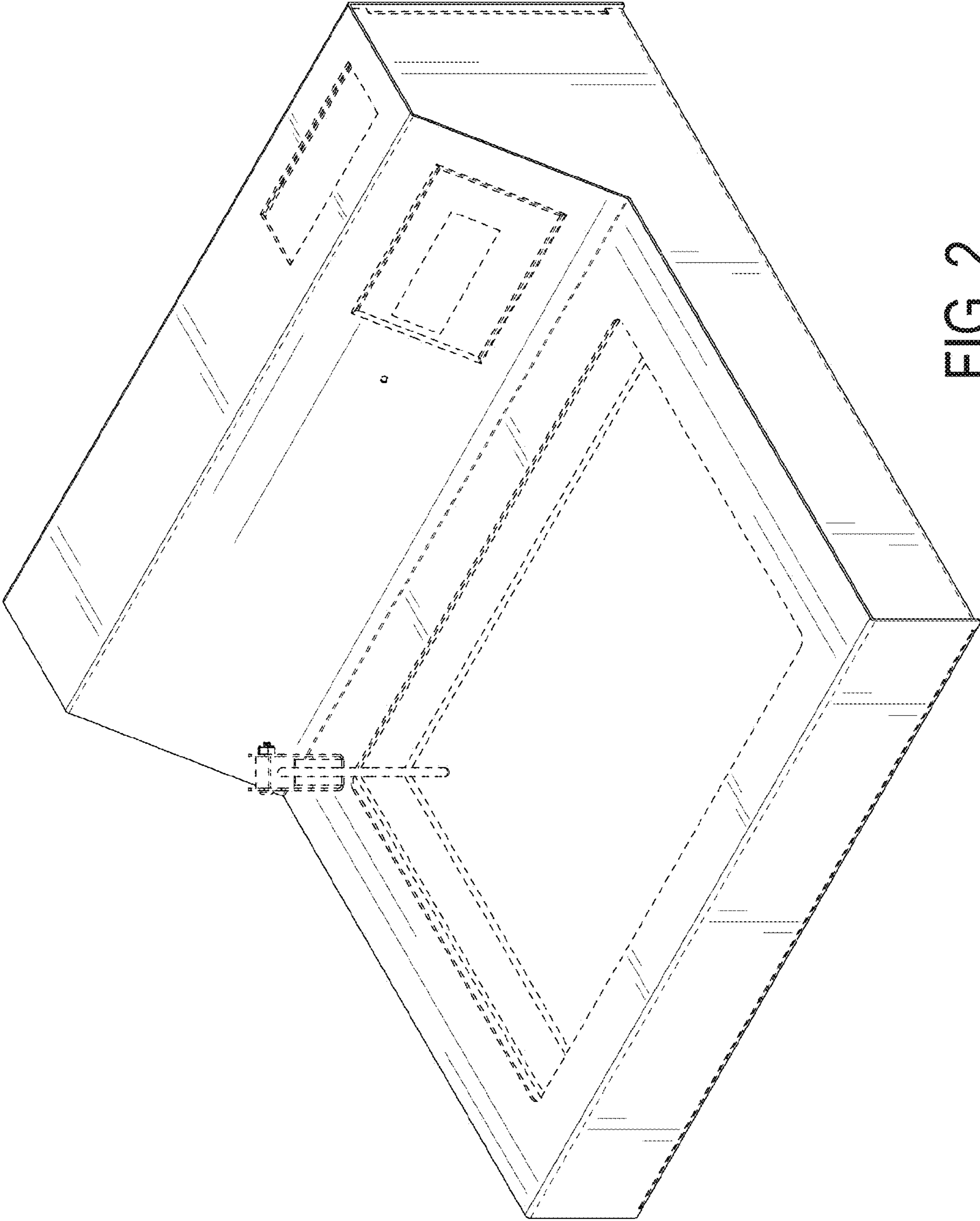


FIG. 2

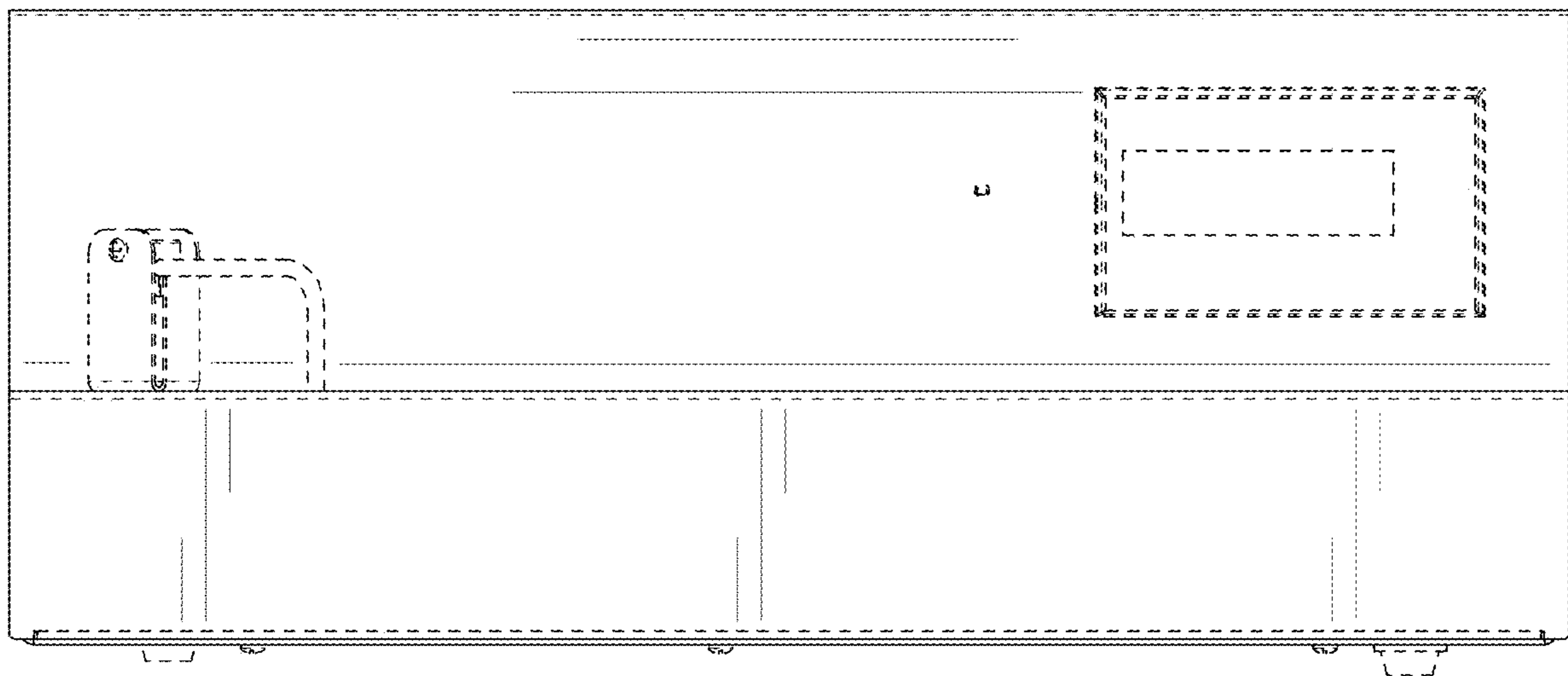


FIG. 3

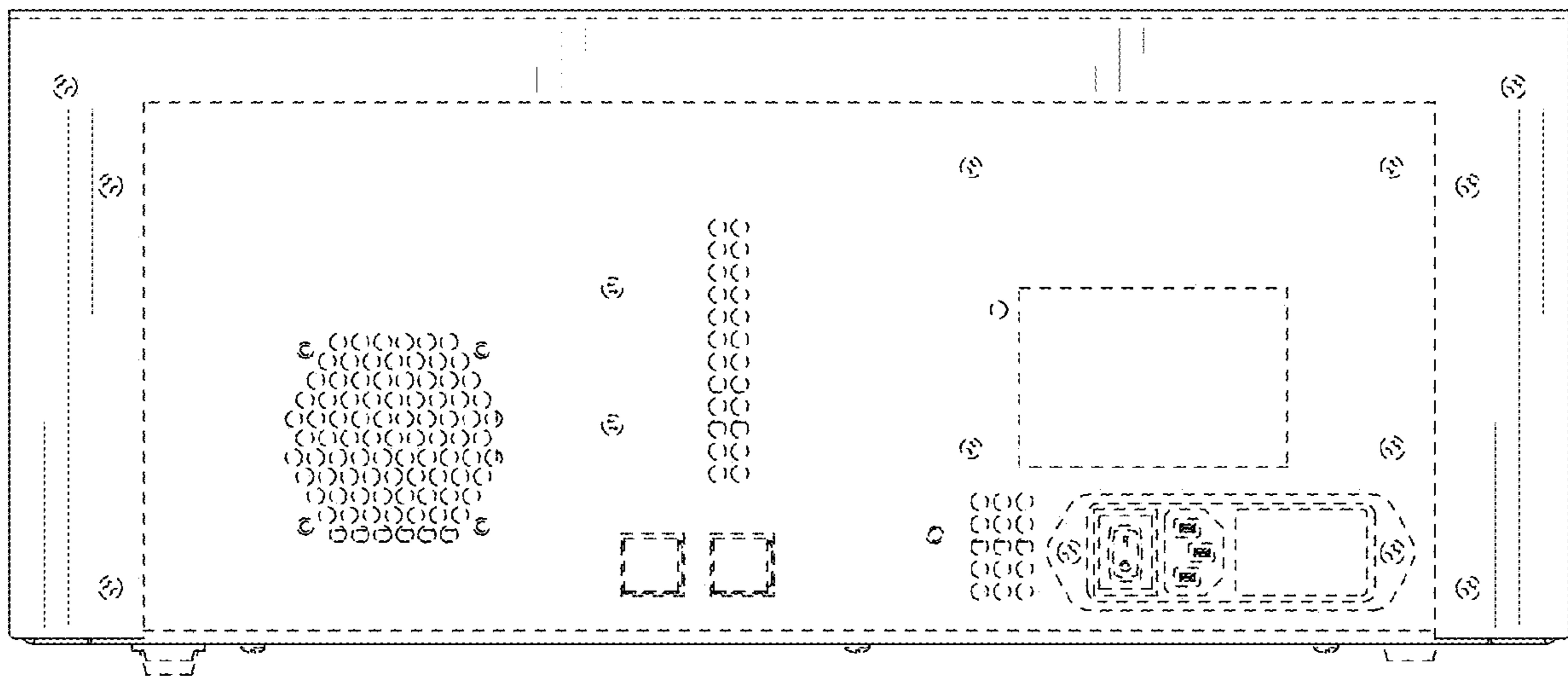


FIG. 4

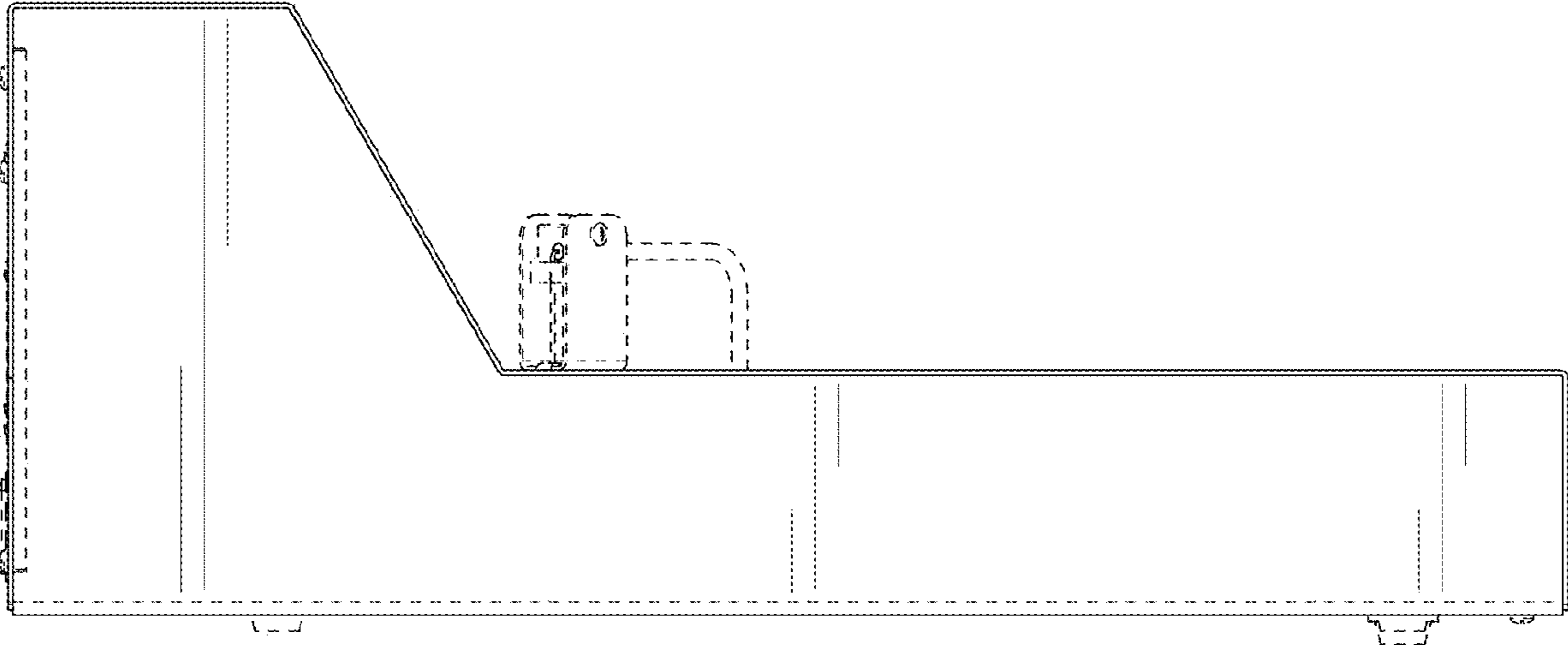


FIG. 5

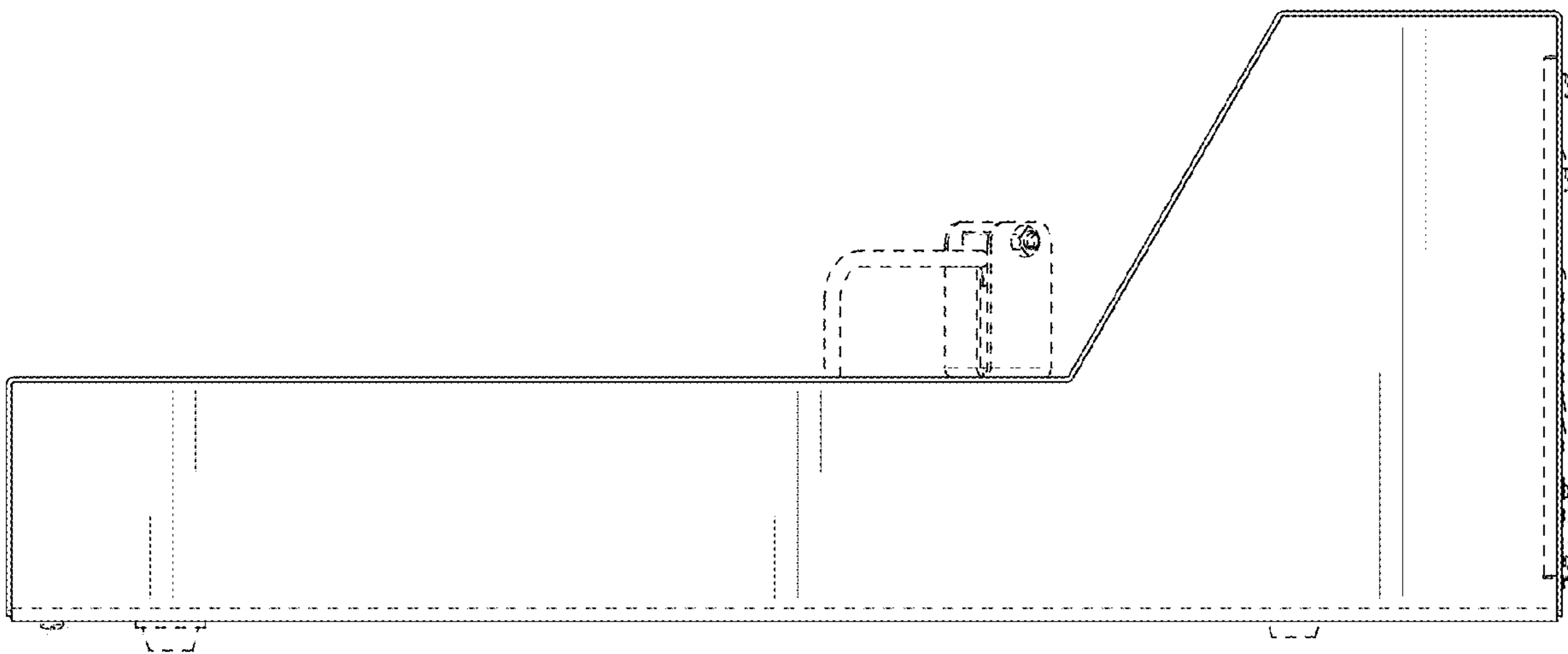


FIG. 6



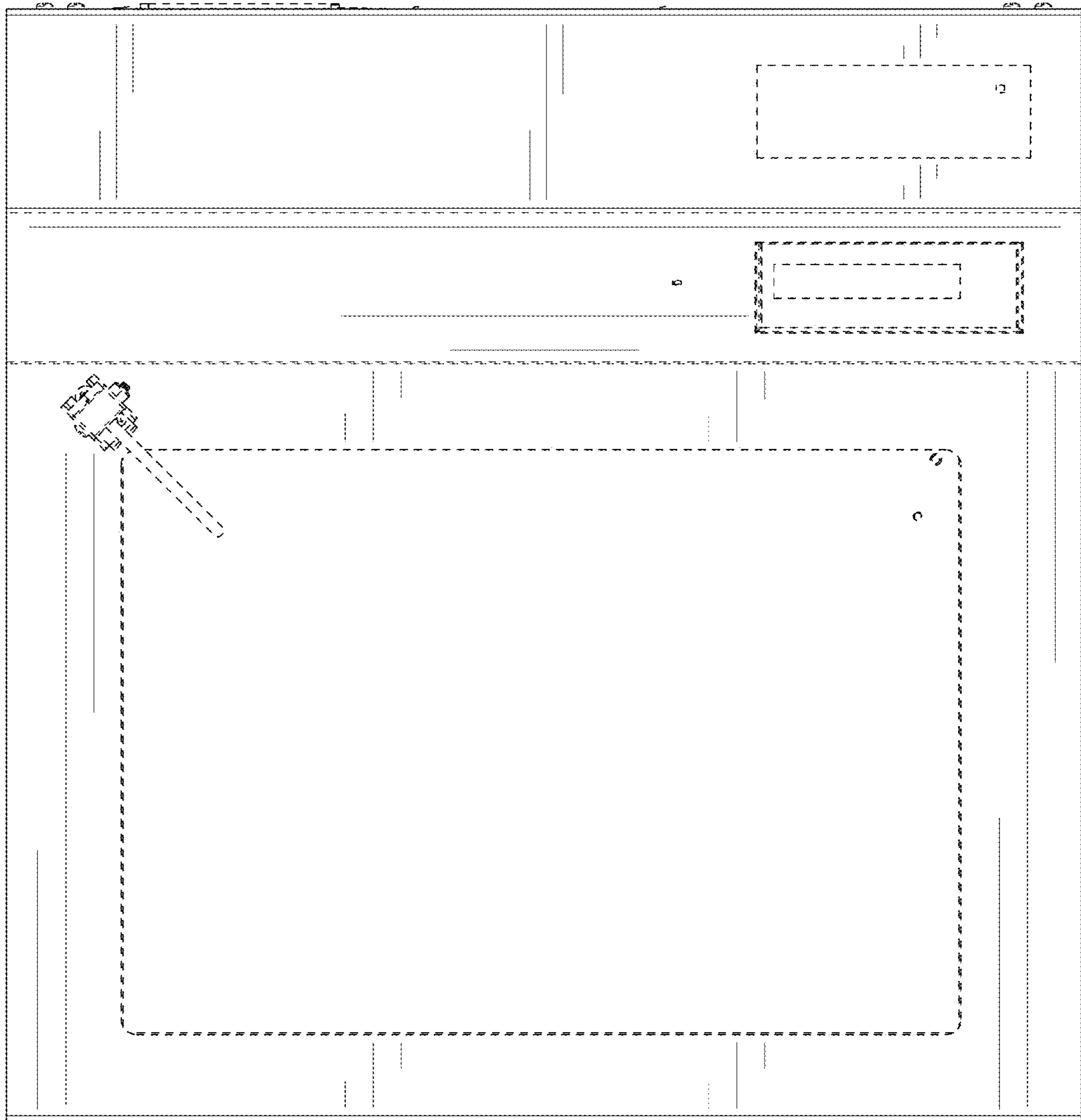


FIG. 7

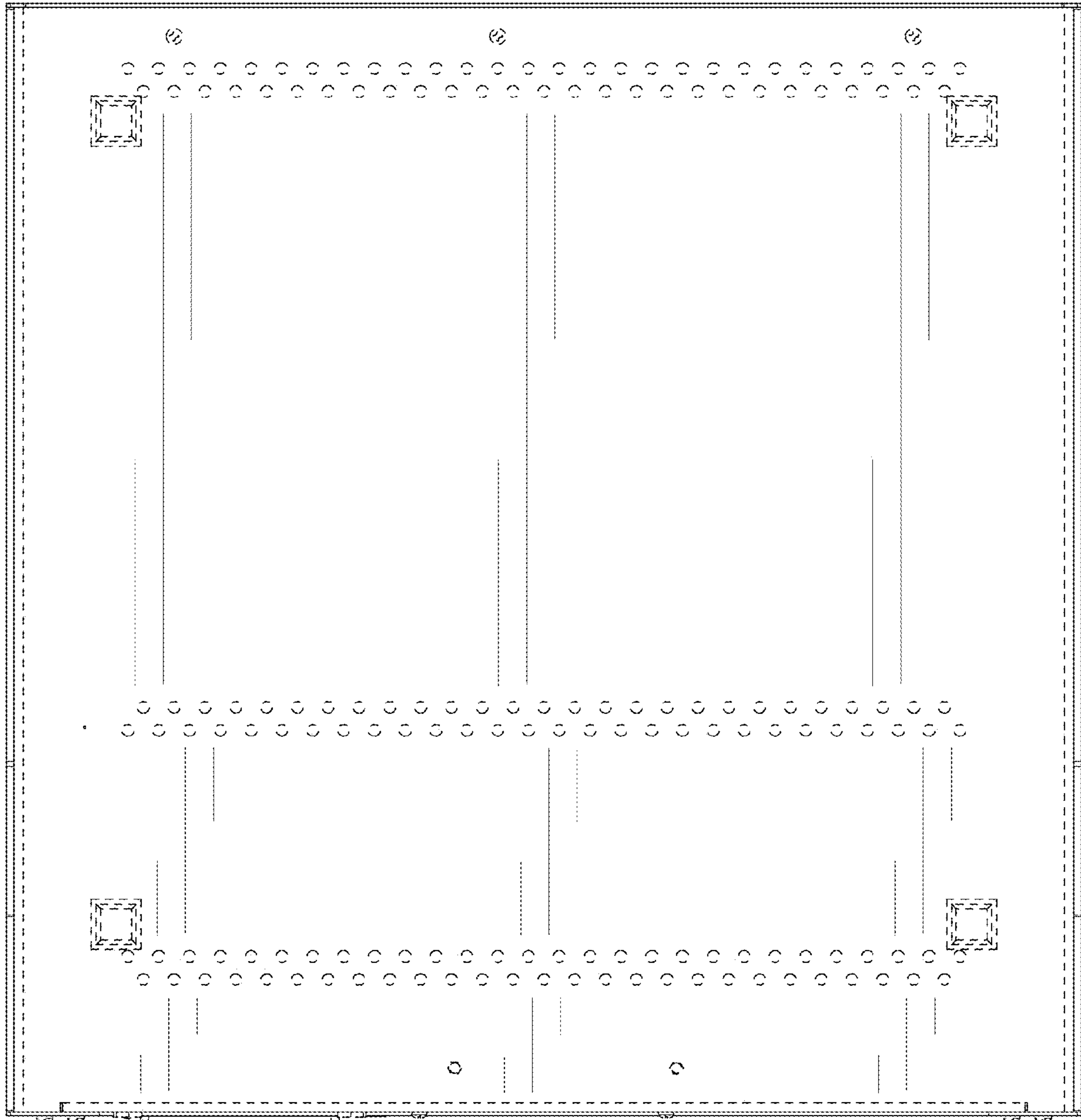


FIG. 8

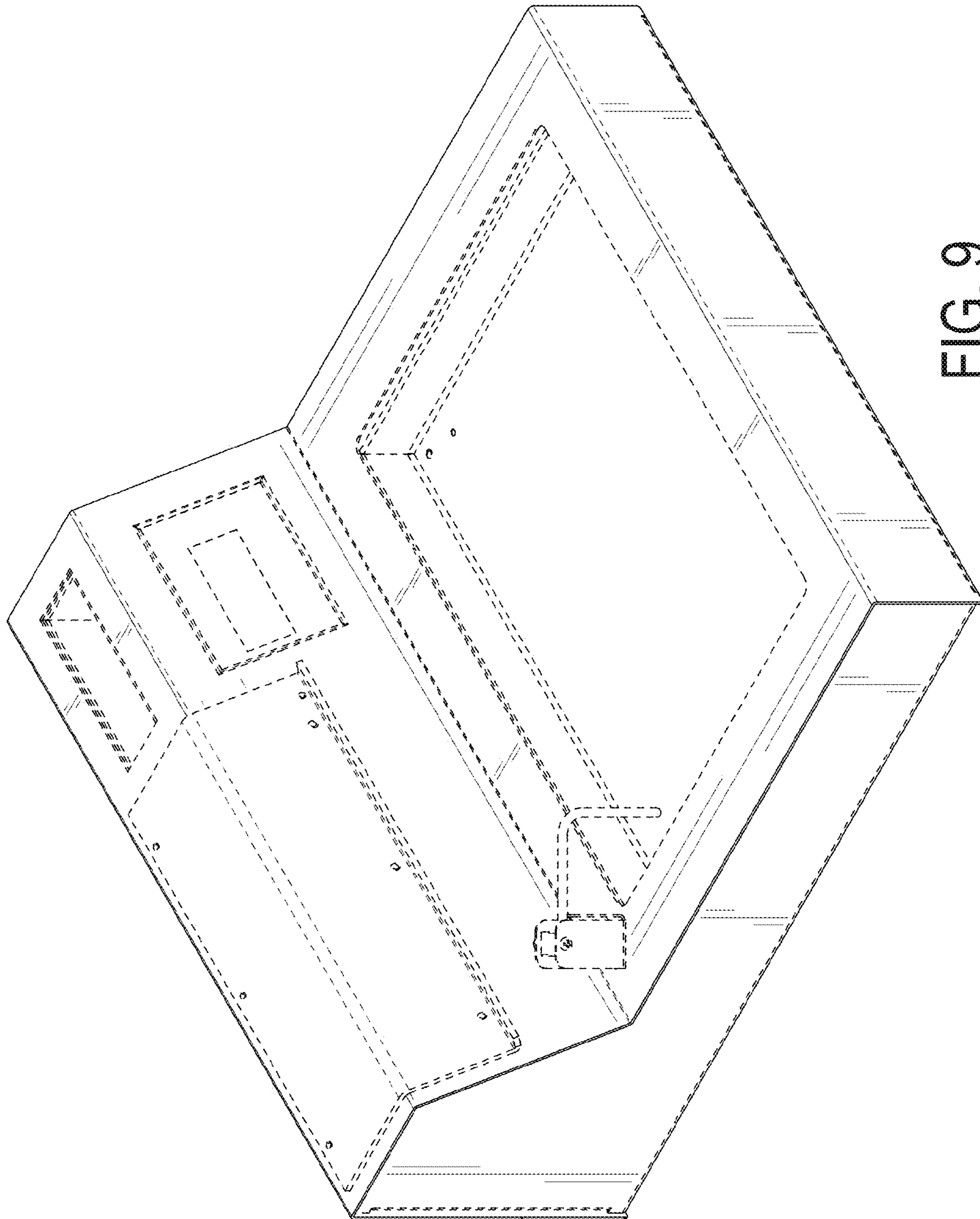


FIG. 9

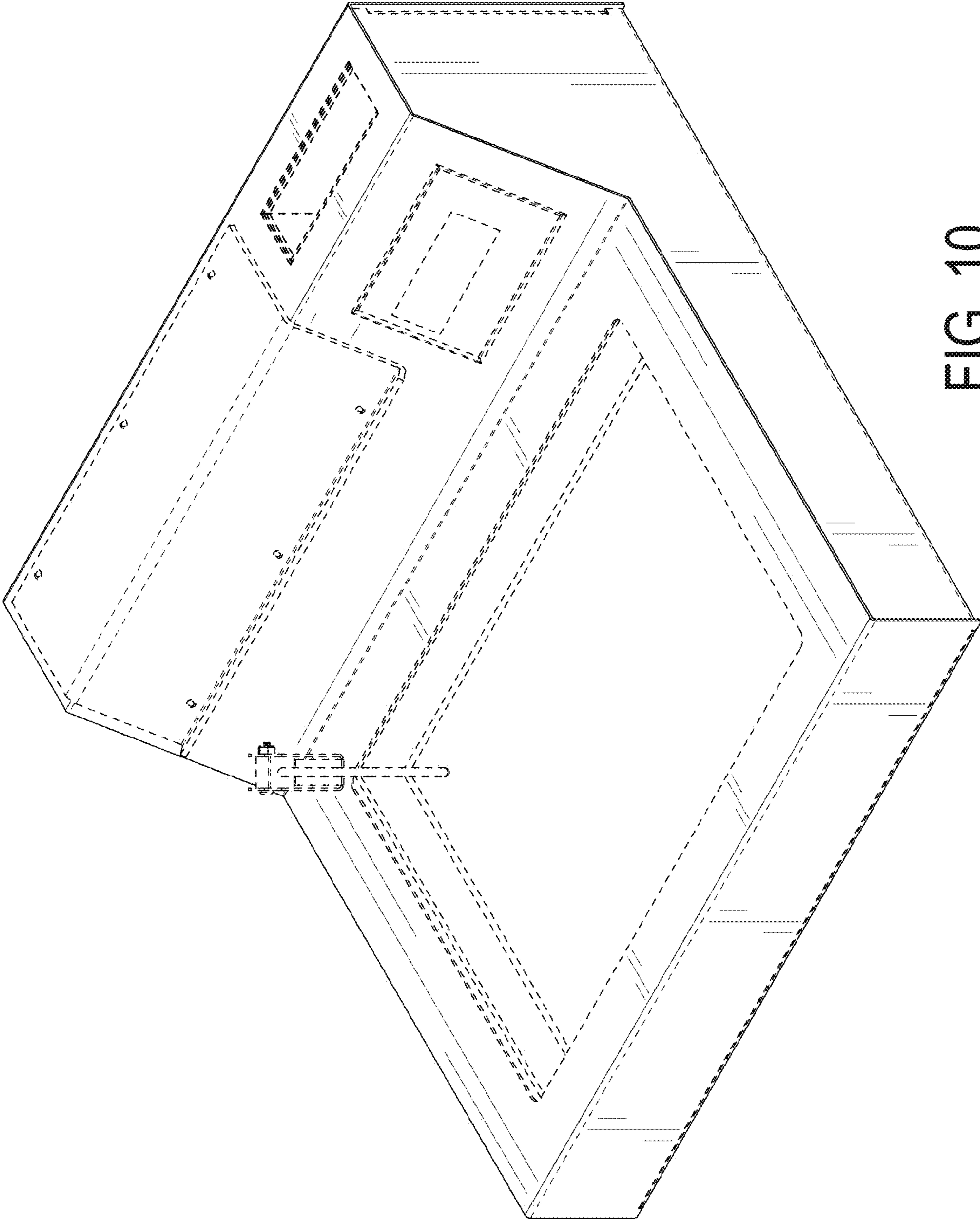


FIG. 10

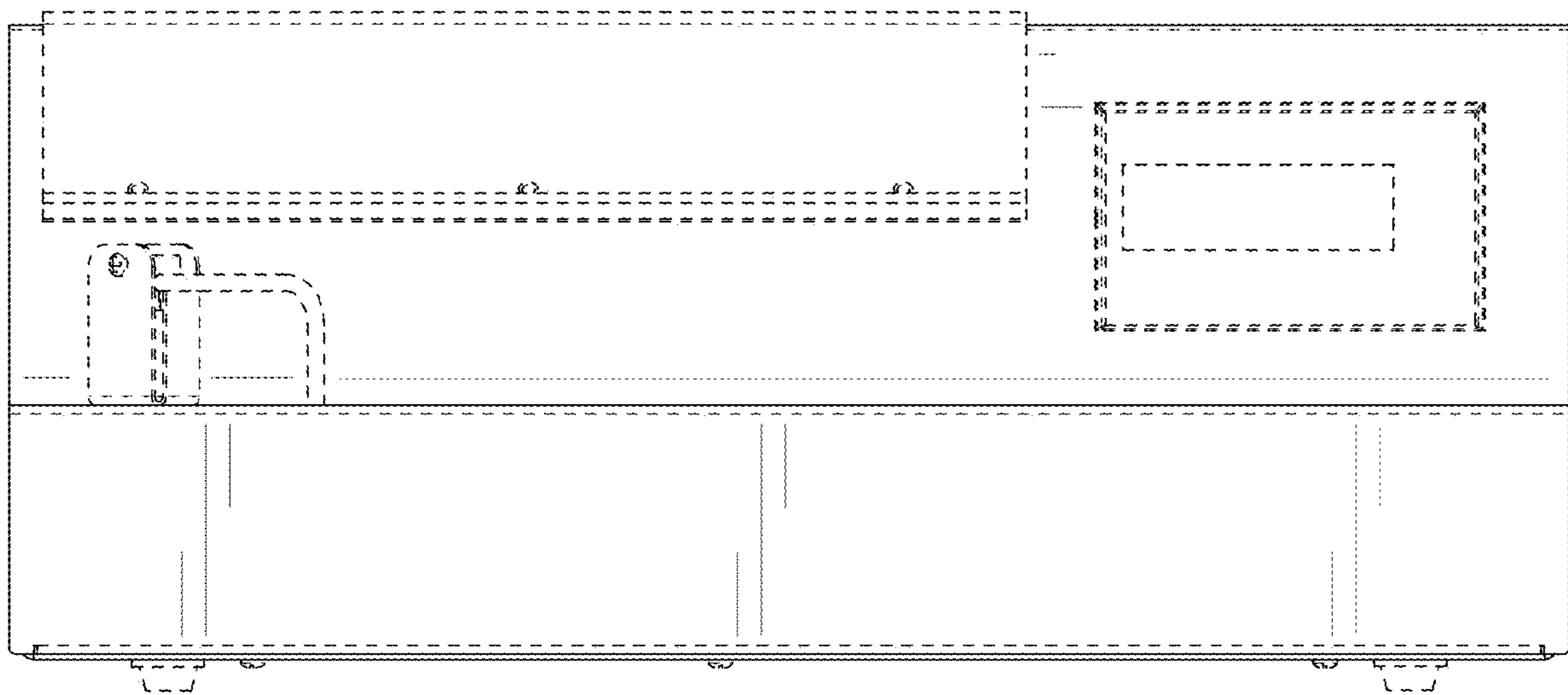


FIG. 11

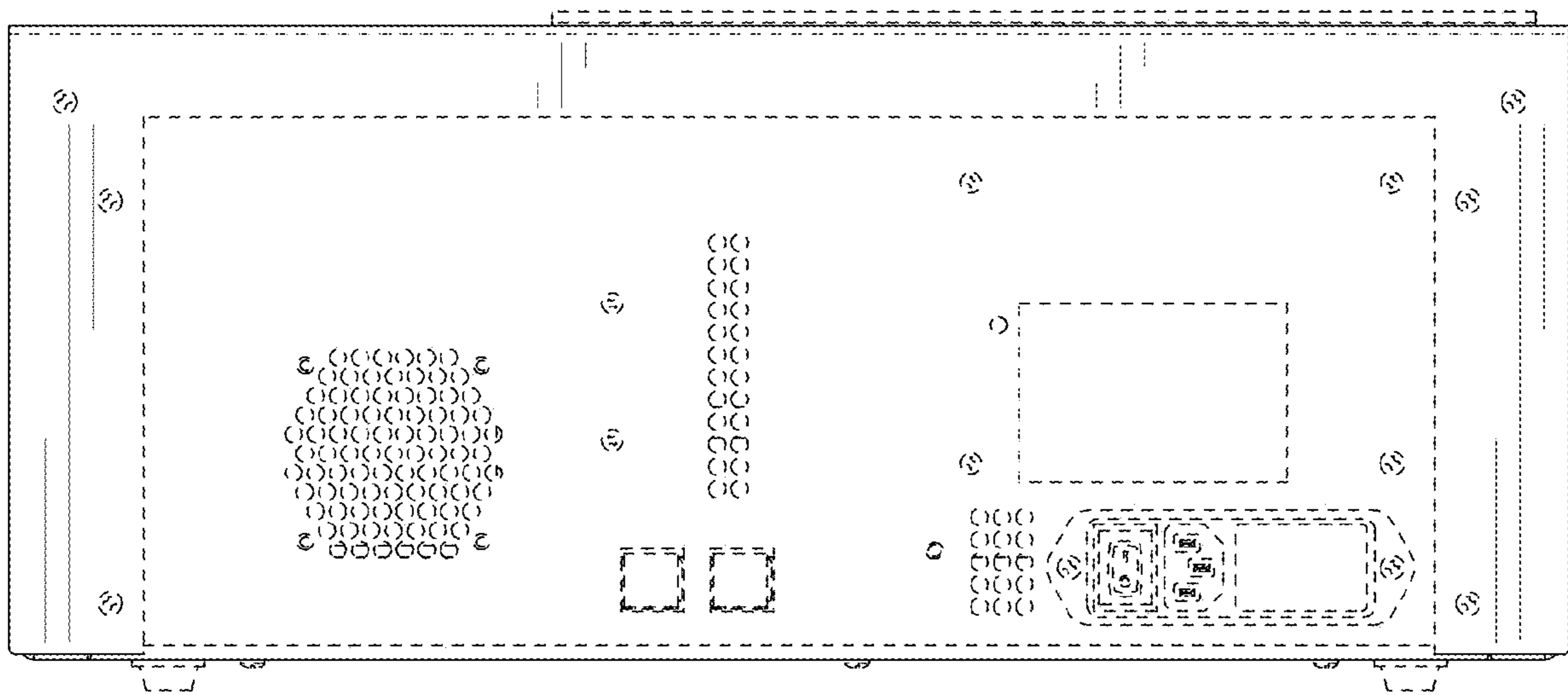


FIG. 12

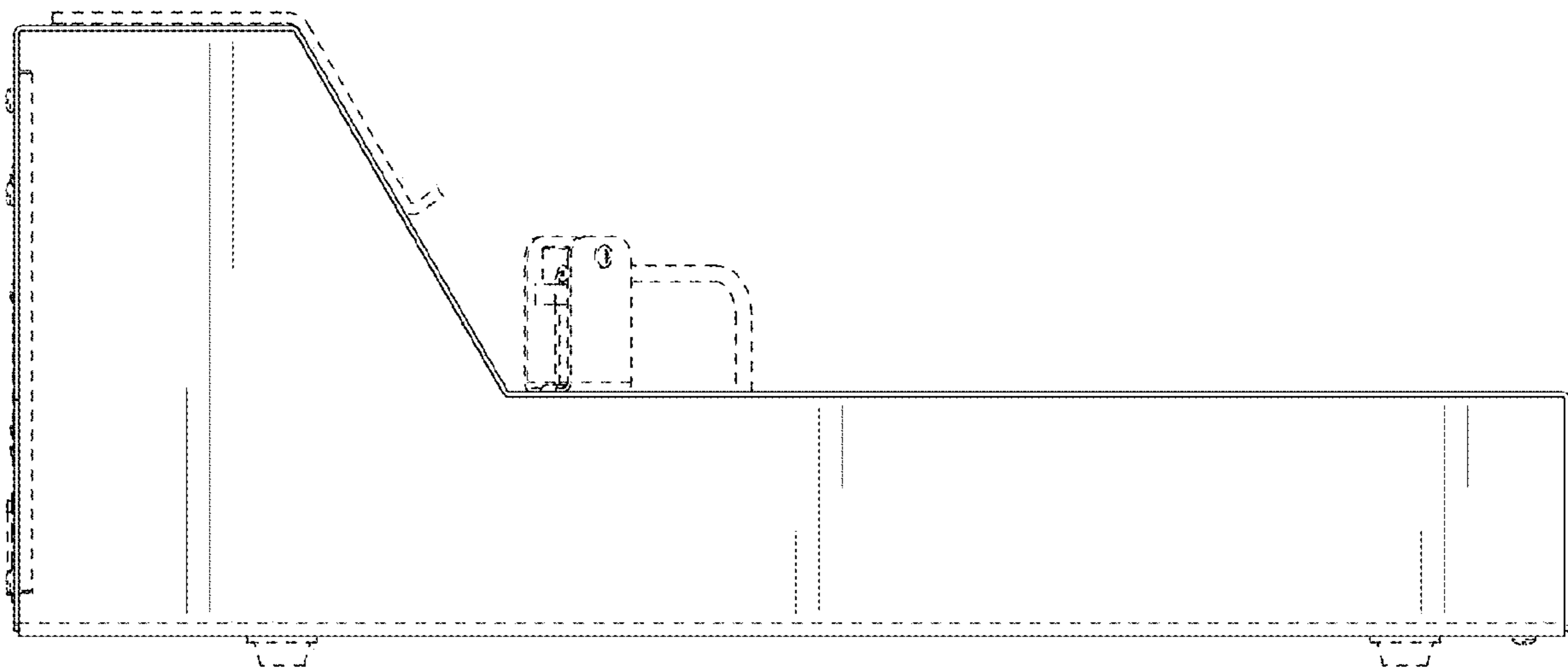


FIG. 13

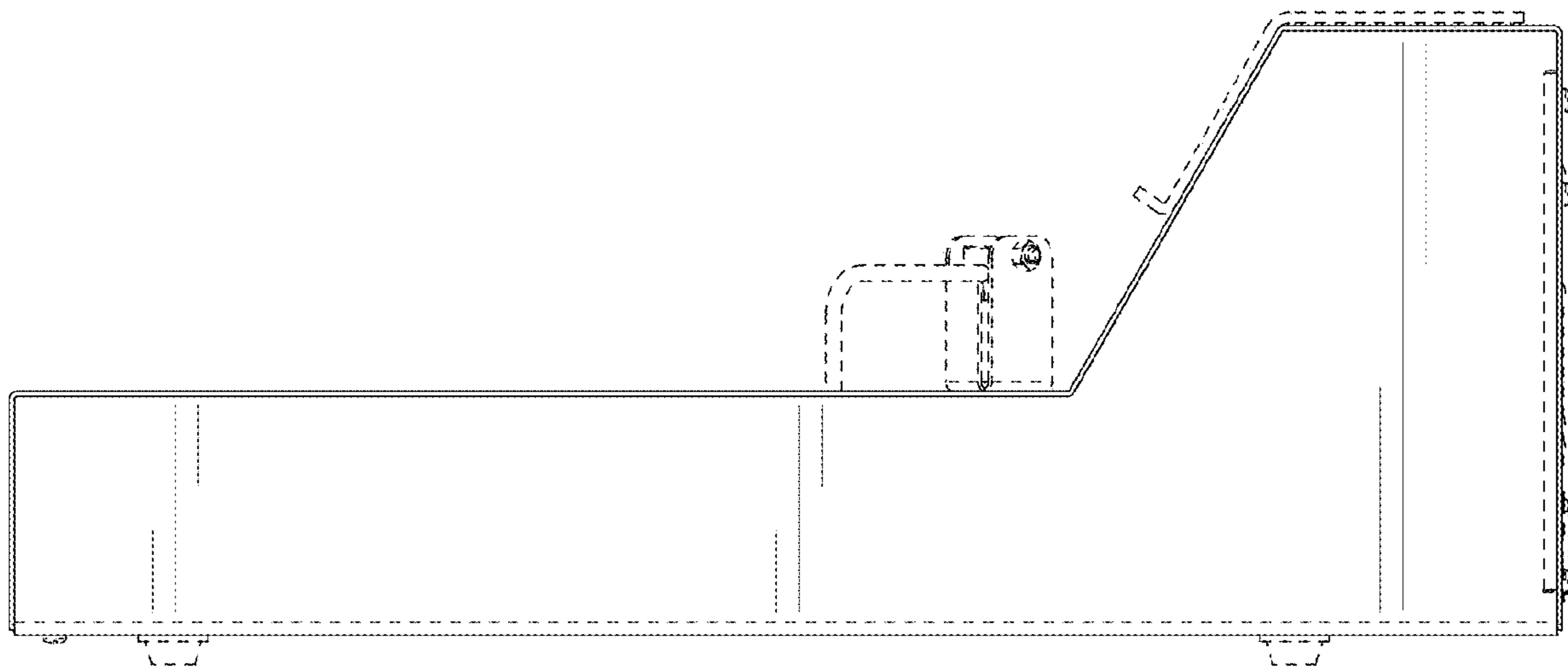


FIG. 14



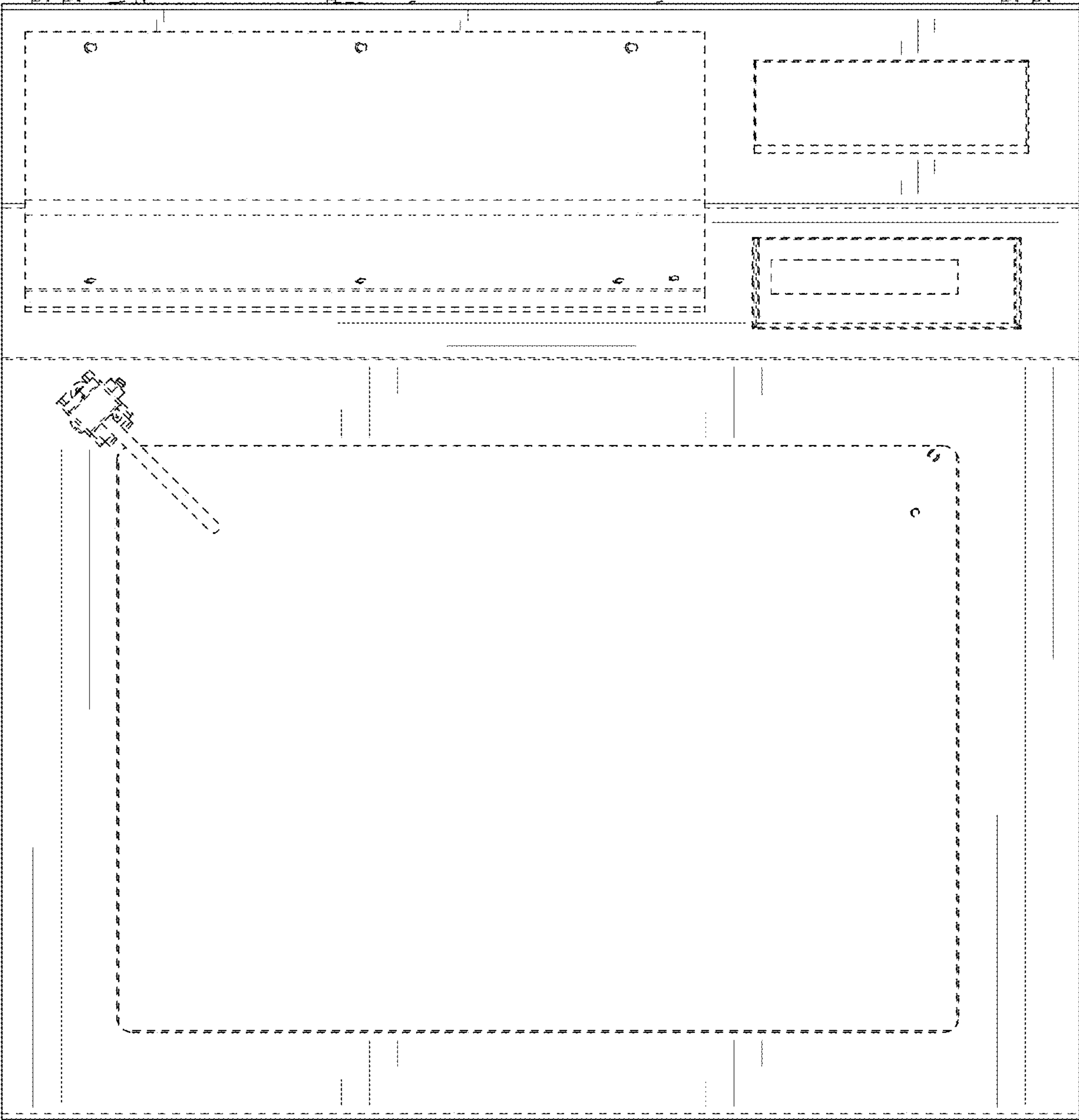


FIG. 15

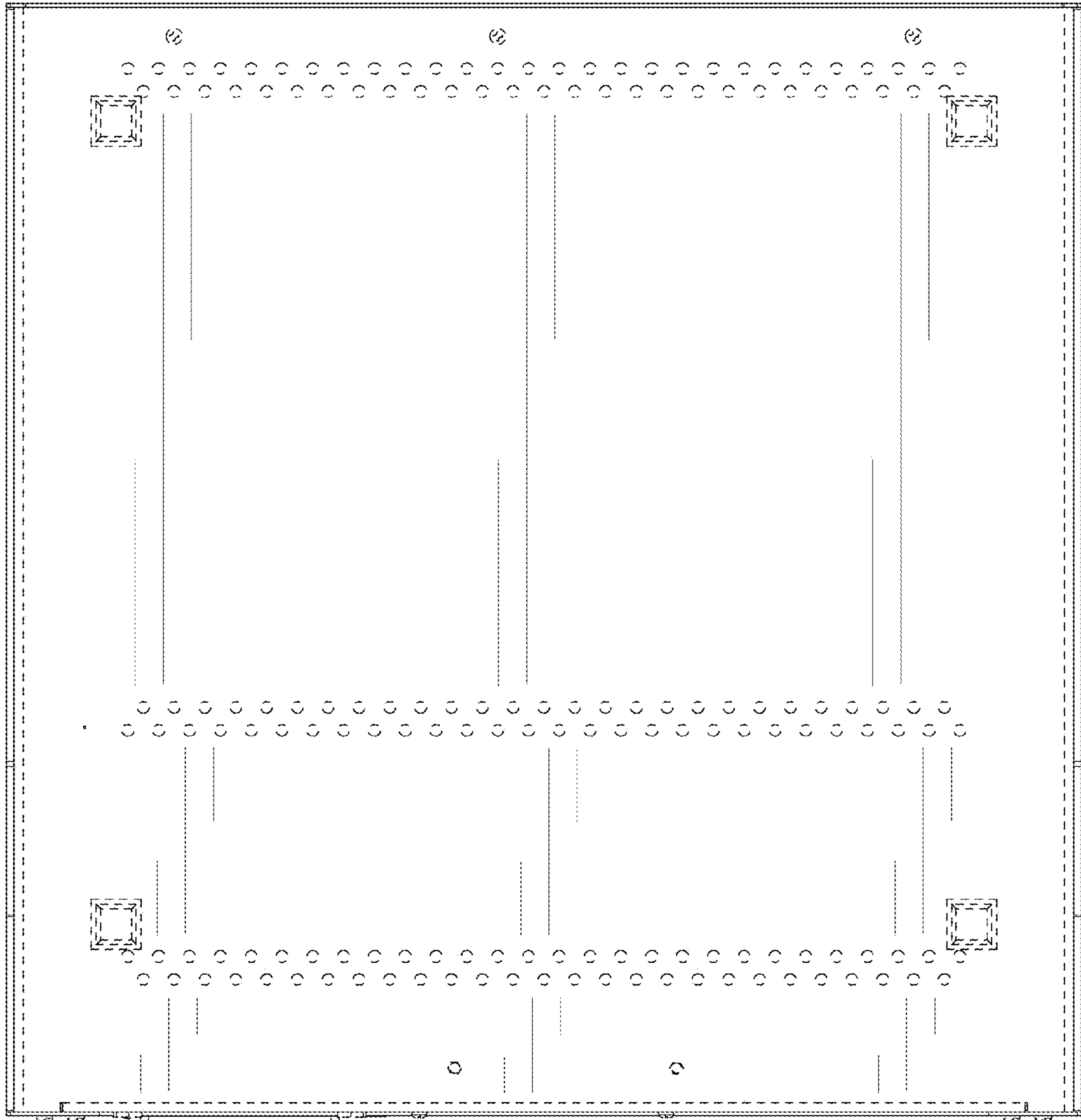


FIG. 16

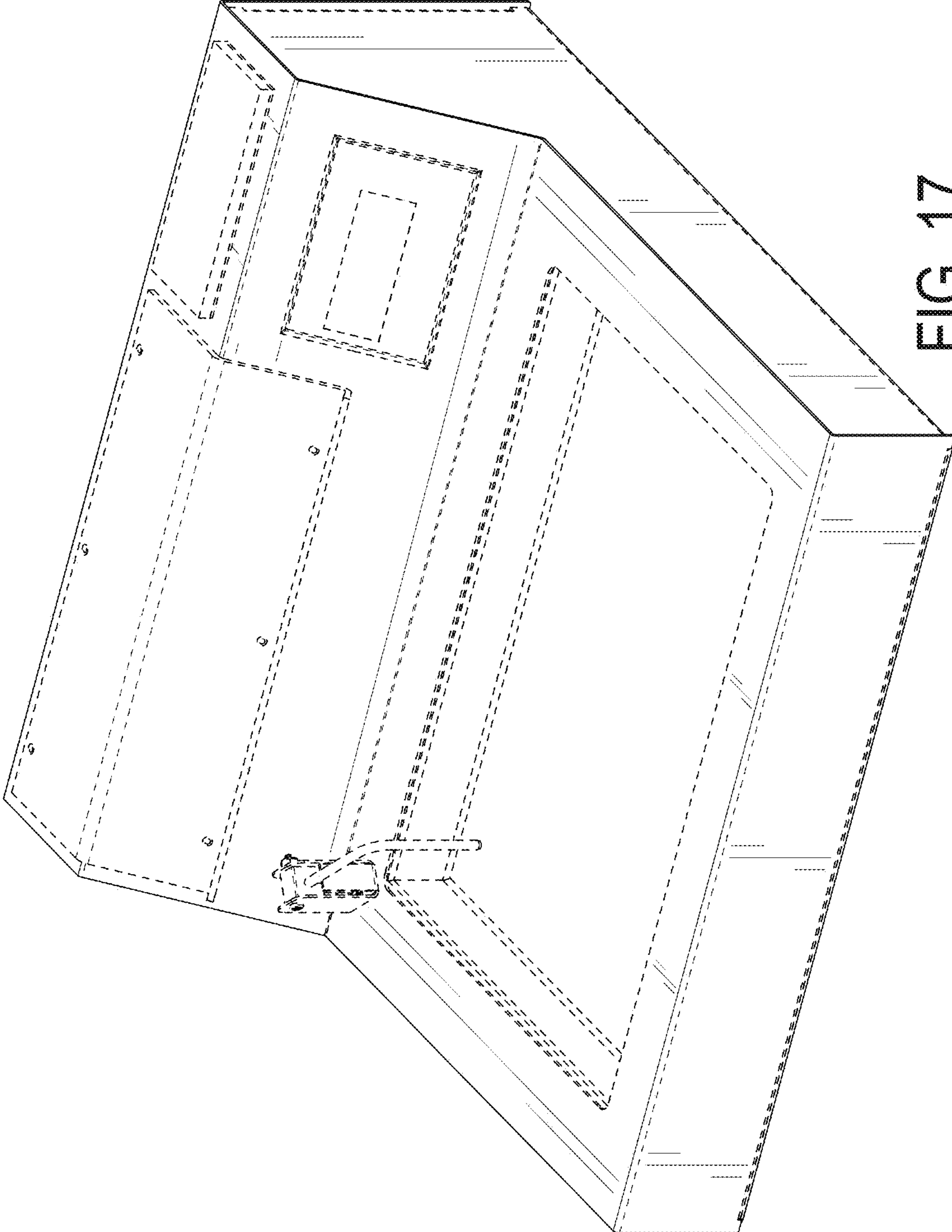


FIG. 17

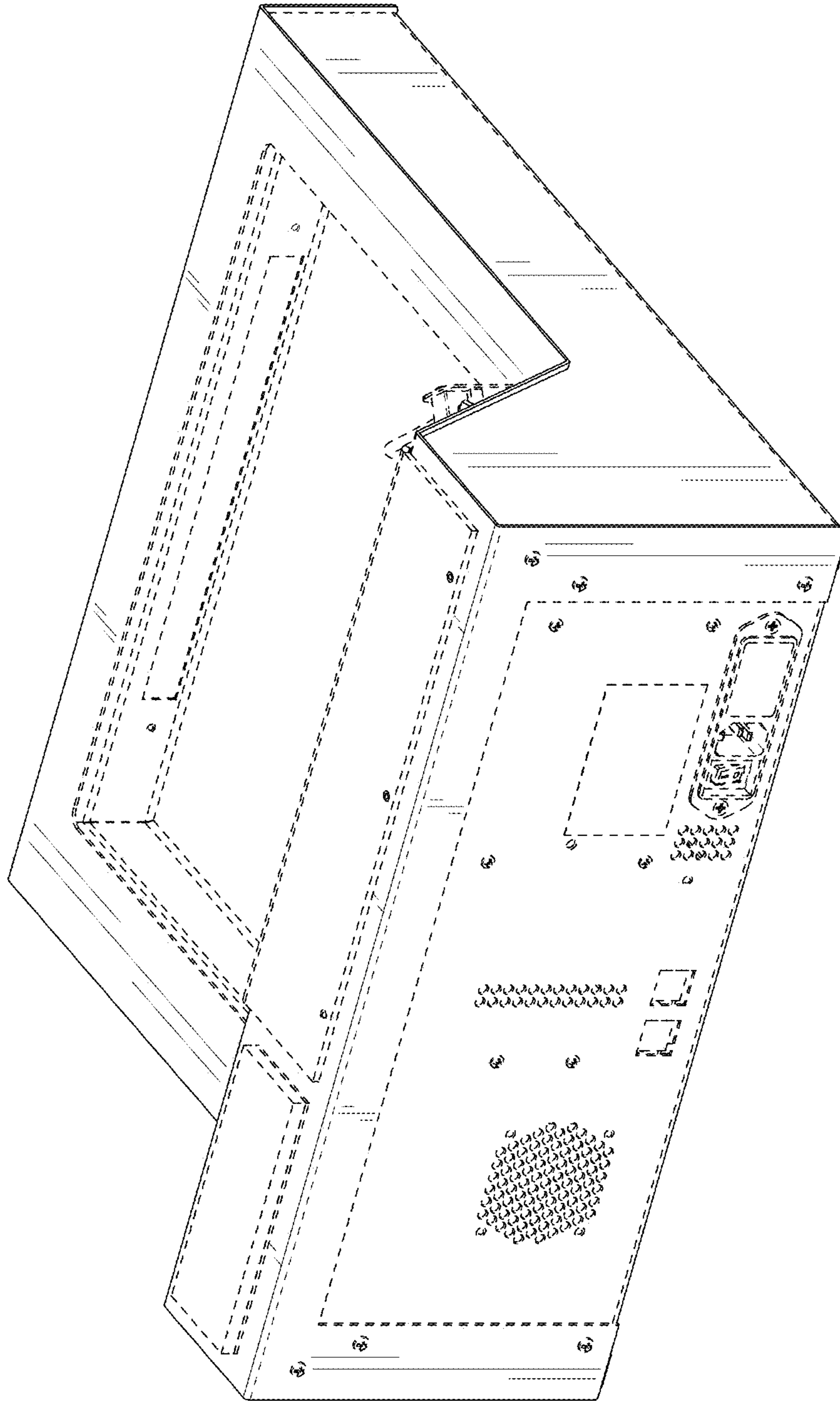


FIG. 18

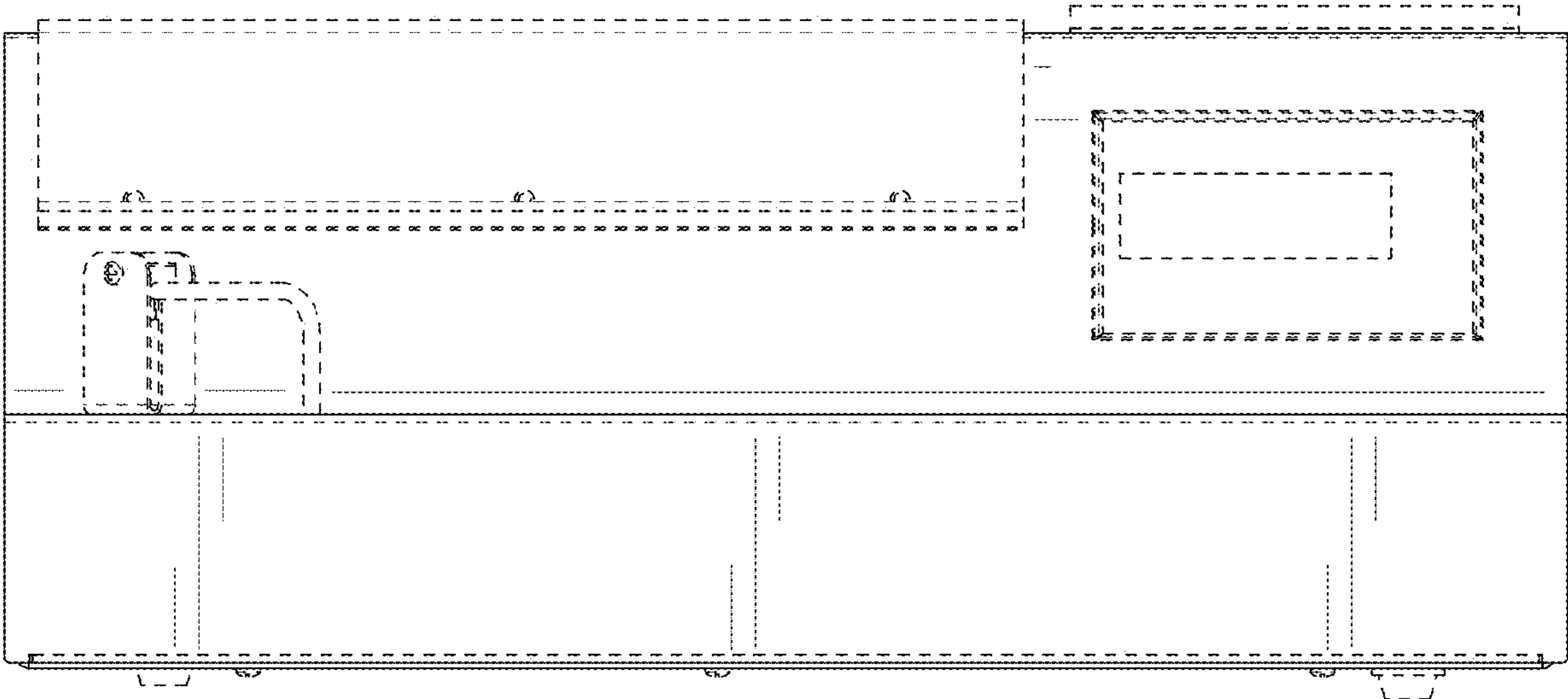


FIG. 19

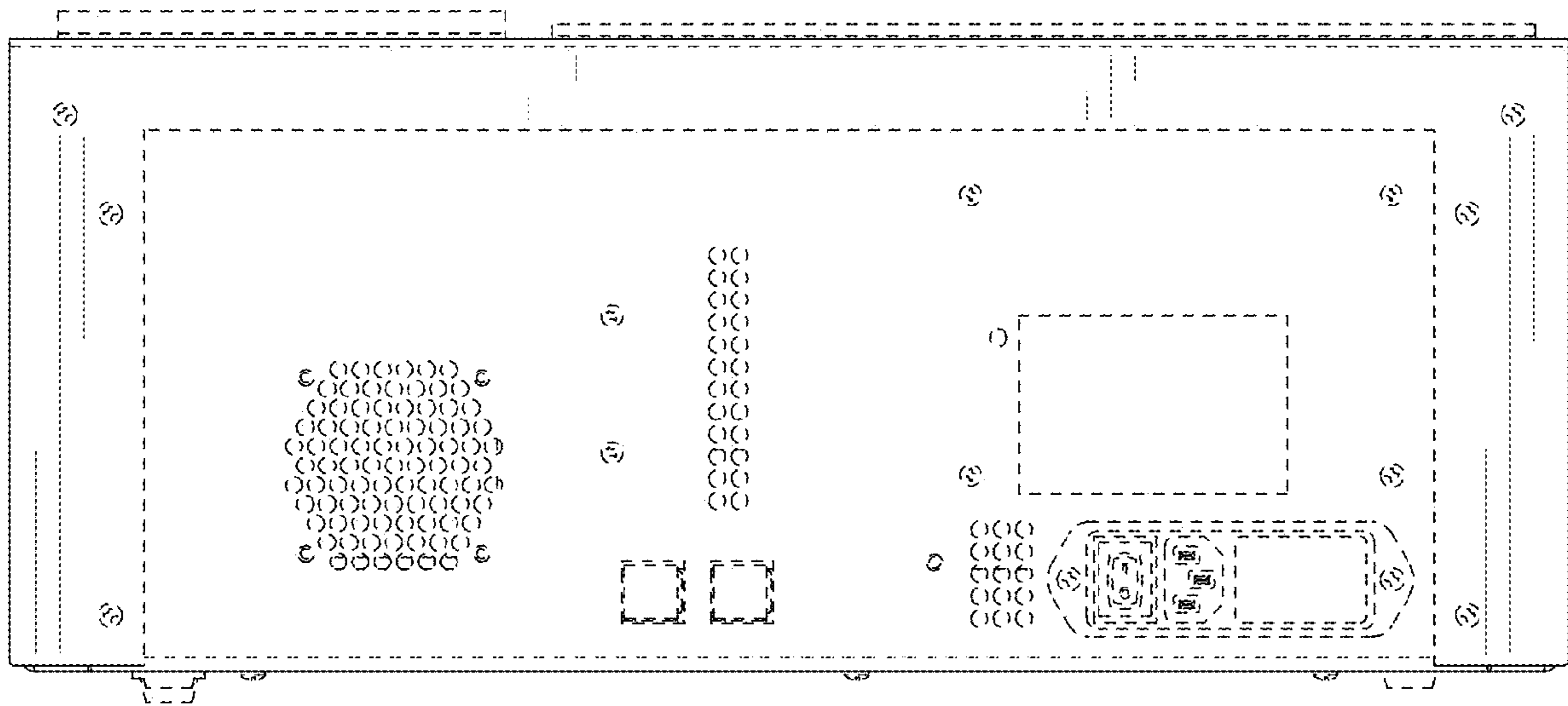


FIG. 20

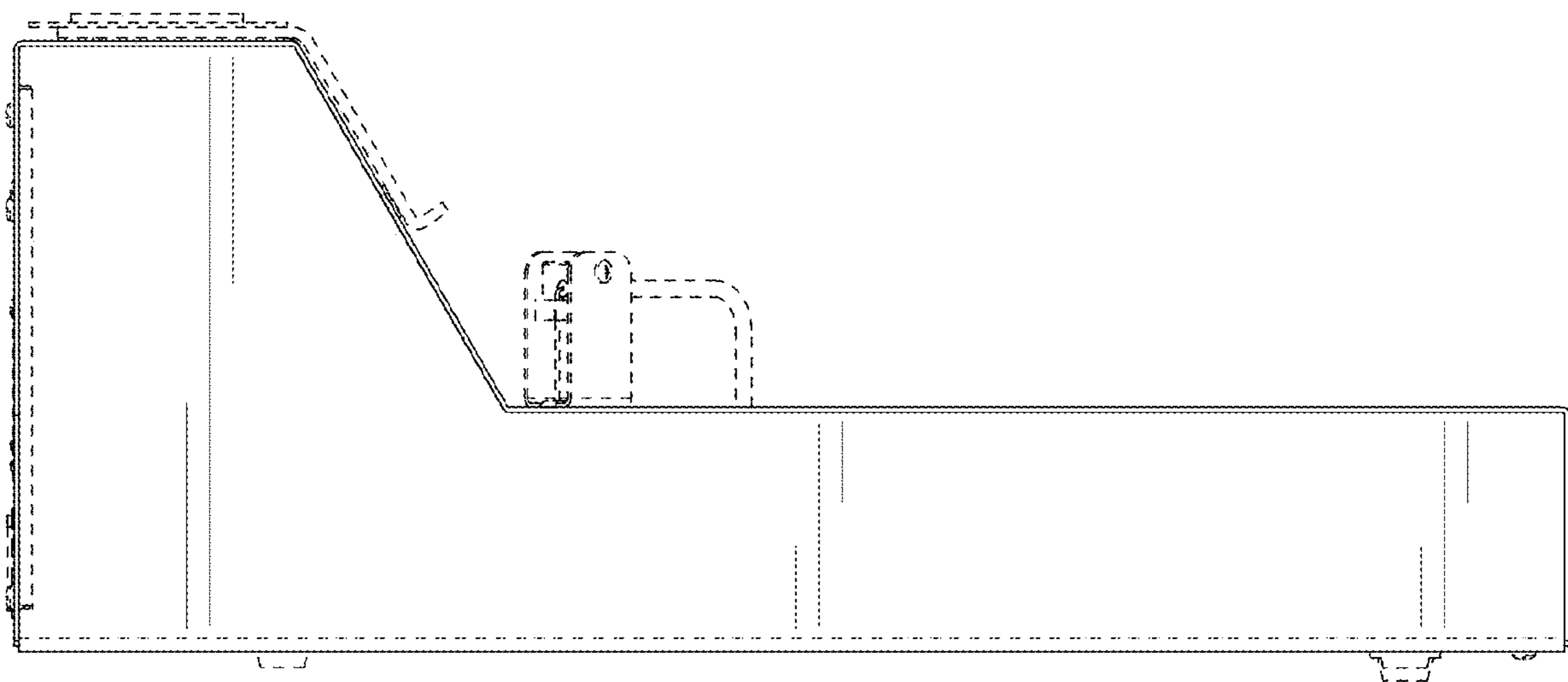


FIG. 21

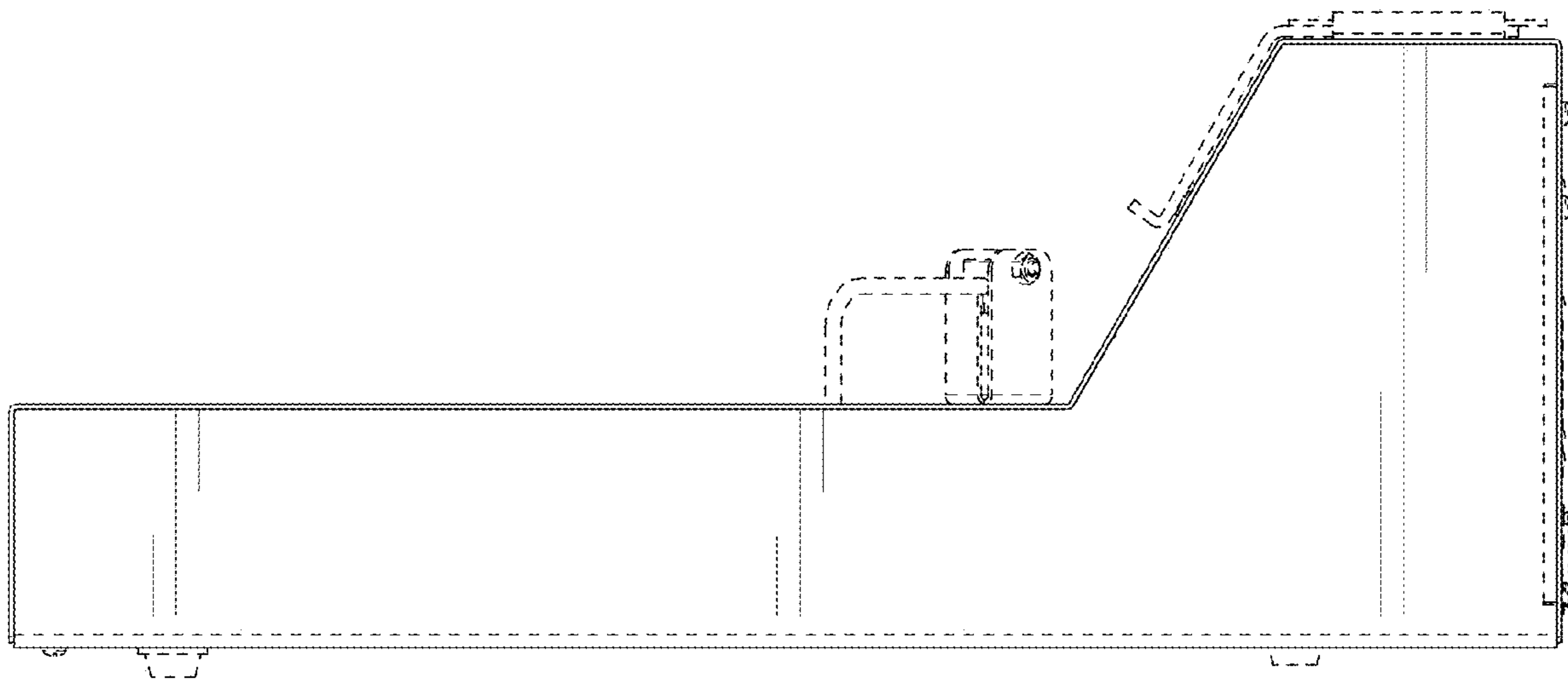


FIG. 22



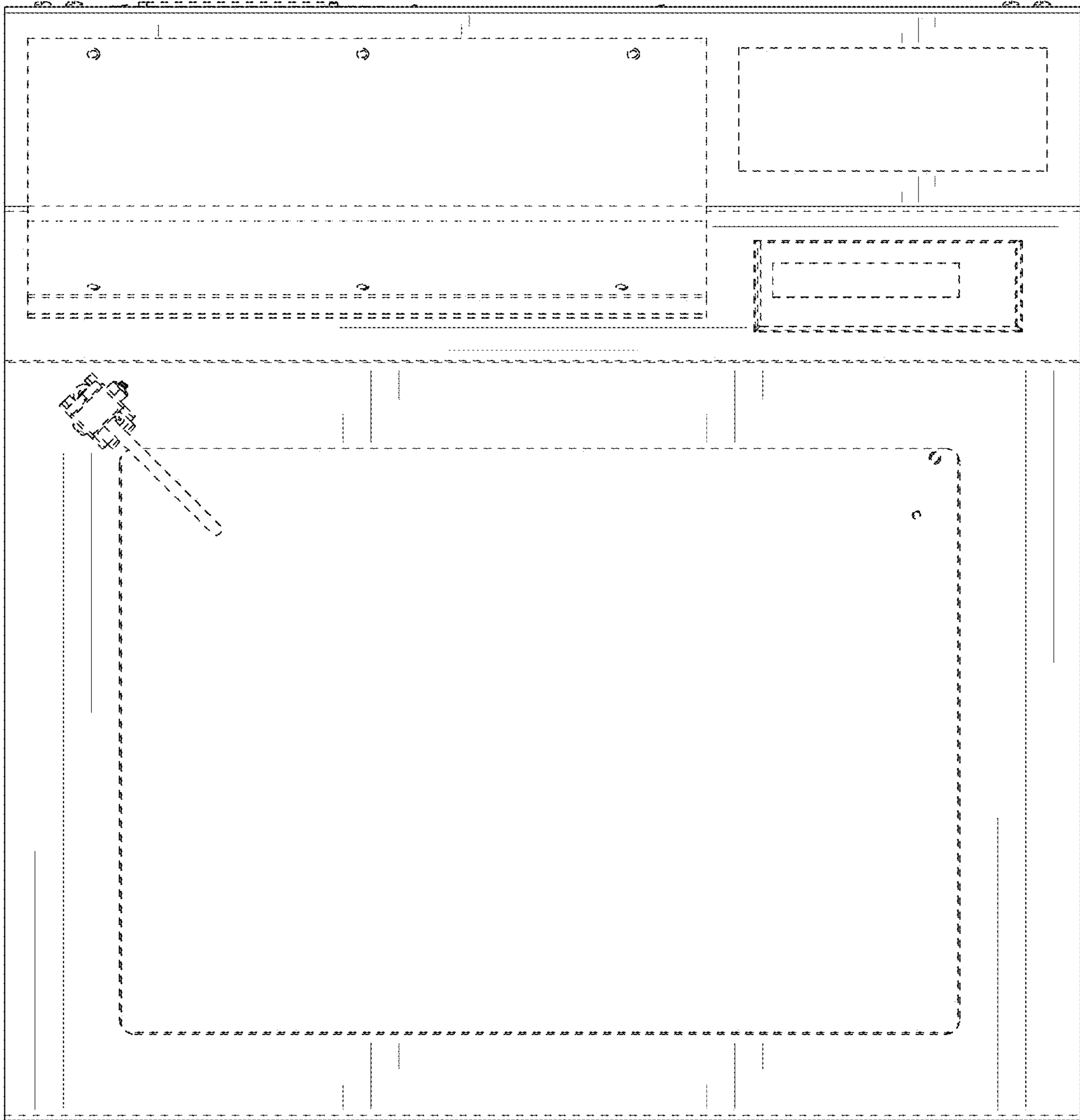


FIG. 23

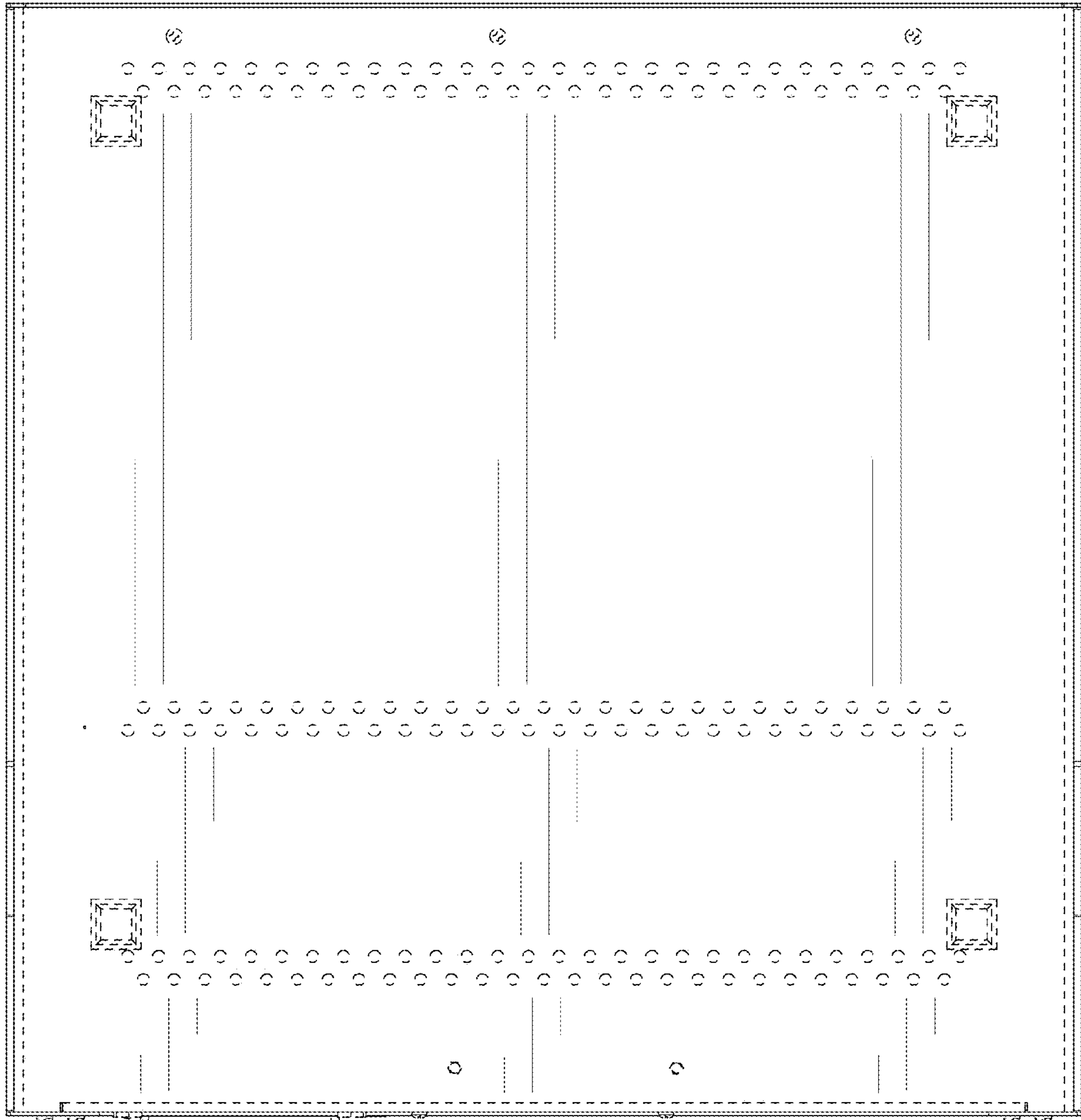


FIG. 24